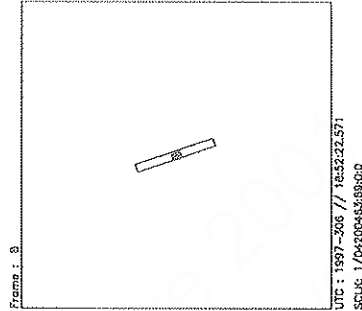
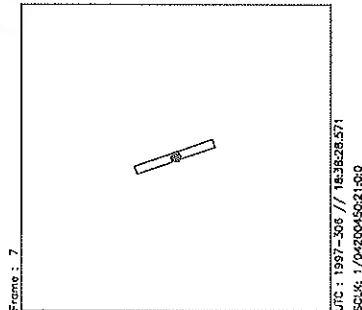
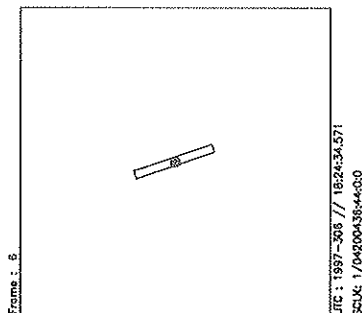
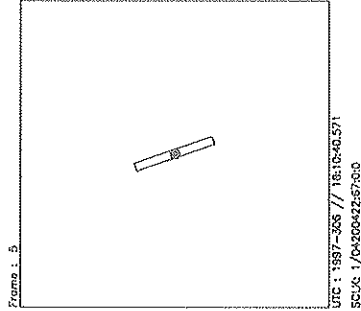
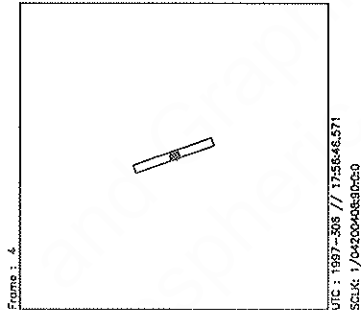
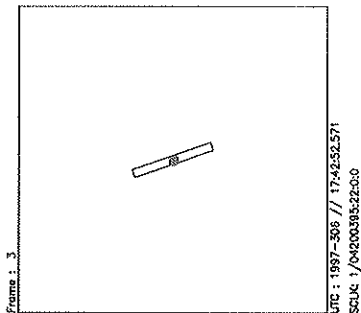
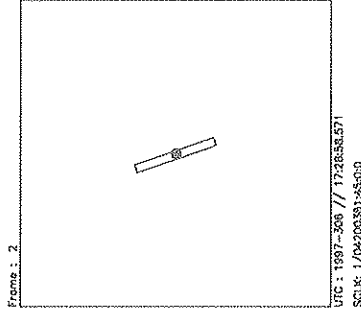
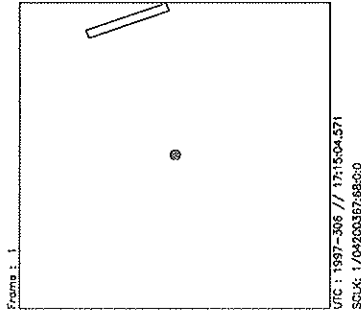
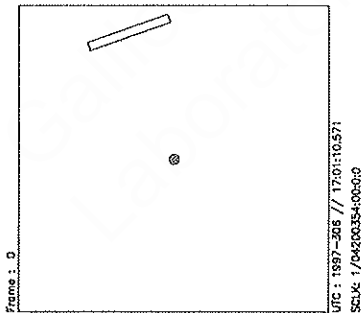


Activity ID: Orbit 11	OAPEL CUCALDRK	SeqNo 01-
Title	UVS Callisto Eclipse Phase 97	Instrument UVS
Requestor	UVS-SWG/W. SWEET X30523	Team UVS Working Group SWG
Time System CDS	Load ID 11A	Calendar Date 11/02/97 Week 44
Start	CEE-CDS 00003698:00:0	97-306/16:57:12.733 CEE-002/14:19:05.333
End	CEE-CDS 00003574:00:0	97-306/19:02:35.400 CEE-002/12:13:42.666
Duration	00000124:00:0	000/02:05:22.667 000/02:05:22.667
Top Label	11CUCALDRK01-	
Bottom Label	(real-time)	
Plot Key	UVS	Type SCI
CDS Bytes	240	Report Options BOTH Scan Platform Yes
CDS Source	OAP	Spin State DUAL DMS No
Observation Objective		
	11CUCALDRK01- observation. Observe Callisto at -90' longitude and -97' phase angle. Target with TMC. Observe background for 1/2 hour while Callisto enters eclipse. Observe on body for 1.5 hours after Callisto is fully eclipsed. Look for OH. Cycle 4 times with 20 rims HV ON and 10 rims HV OFF for PWS quiet.	
	UVS configuration: 3090Å N/N 33-step mini-scan Rj = 44.9	
	MBTG = 2 flushes * 17712 bits/flush = 0.035	
Design Detail		
CDS RIM COMMAND PARAMETERS		PSID
0 000 COMMENT UVS RIM 0		(384CA)
28 003+UVFLUSH DISCRD,UVS		(349CA)
37 002 LOOPER (period 30 rims, num loops 4)		(061CA)
38 003 CMDRS		(157CA)
004 1 34UVS,D7,F,N,N,N,S,0,OFF, ON,OFF, ON,OFF,NOOVR,1,78,5D,00,00		
024 21 34UVS,C1,F,N,N,N,S,0,OFF,OFF, ON,OFF,OFF,NOOVR,1,2C,05,00,00		
27 004 TARGET off body (background)		(165CA)
28 023+UVFLUSH PACKET,UVS		(349CB)
54 034 TARGET with TMC on body		(165CB)
28 114+UVFLUSH PACKET,UVS		(349CC)



Start UTC_TIME : 1997-306 // 17:01:10.571
End UTC_TIME : 1997-306 // 18:52:23.900
Start SCLK : 1/04200354:00:0
Delta Time between FOV : 634.0000
FOVs : F Channel(0.1x0.4), N/G Channel(0.1x1.0)

Target Body : CALLISTO
Target Ra/Dec : 224.24 / -18.72 Deg
S/C to Body Center : 2476018. Km (1030.3862 Rc)
Z-axis Pointing (Ra / Dec) : 157.25 / 19.00 Deg

Activity ID: Orbit 11	OAPEL CUCALDRK	SeqNo 02-
Title	UVS Callisto Eclipse Phase 96	Instrument UVS
Requestor	UVS-SWG/W. SWEET X30523	Team UVS
		Working Group SWG

Time System CDS	Load ID 11A	Calendar Date 11/02/97	Week 44
Start	CEE-CDS 00003562:00:0	97-306/19:14:43.400	CEE-002/12:01:34.666
End	CEE-CDS 00003528:00:0	97-306/19:49:06.066	CEE-002/11:27:12.000
Duration	00000034:00:0	000/00:34:22.666	000/00:34:22.666

Top Label	11CUCALDRK02-		
Bottom Label	(real-time)		
Plot Key	UVS	Type	SCI
CDS Bytes	120	Report Options	BOTH
		Scan Platform	Yes
CDS Source	OAP	Spin State	DUAL
		DMS	No

Observation Objective

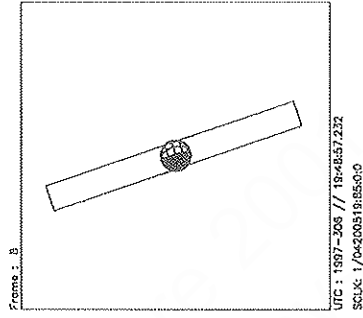
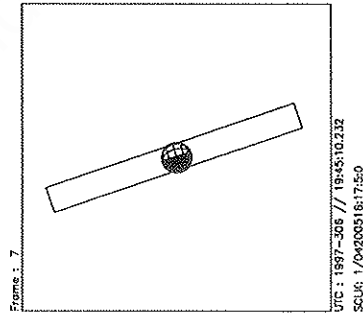
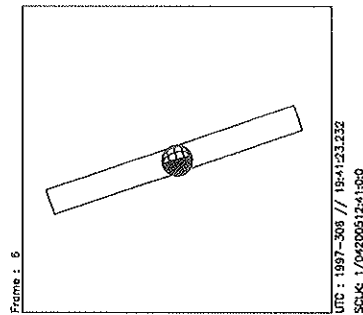
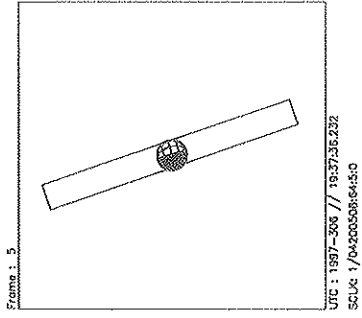
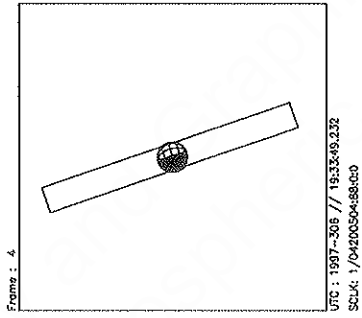
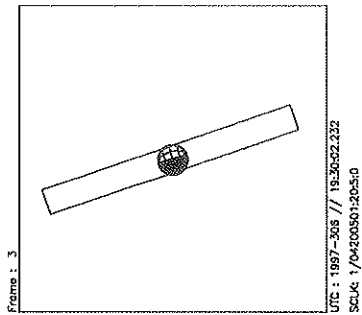
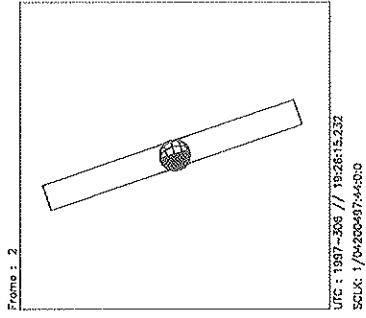
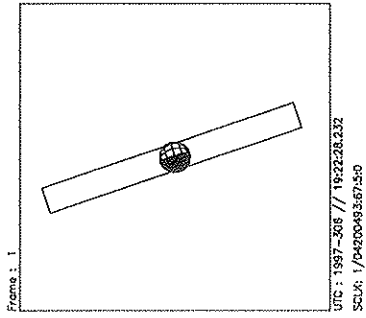
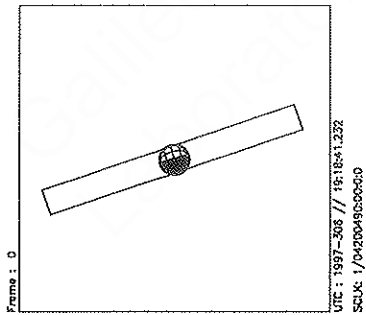
11CUCALDRK02- observation. Observe Callisto at ~90° longitude and ~96° phase angle.
 Target with TMC on body. Callisto in eclipse.

UVS configuration: 1356 - 1356 Å G/G 16-step mini-scan
 Rj = 44.3

MBTG = 1 flush * 17712 bits/flush = 0.018

Design Detail

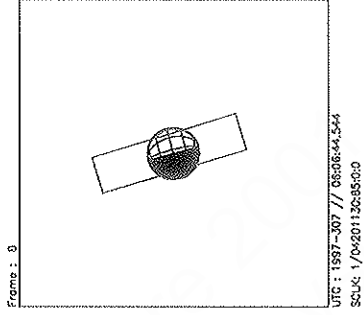
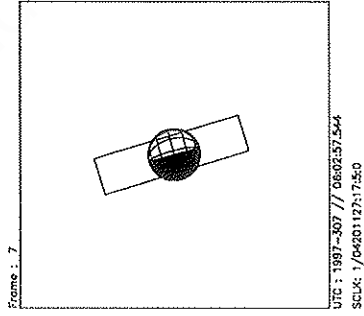
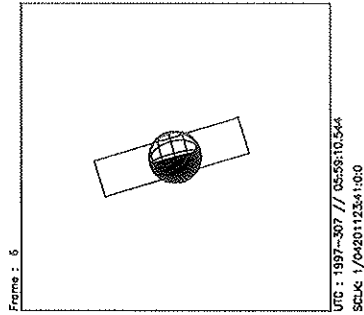
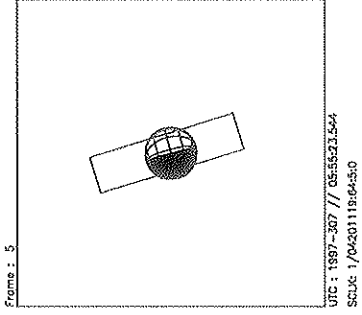
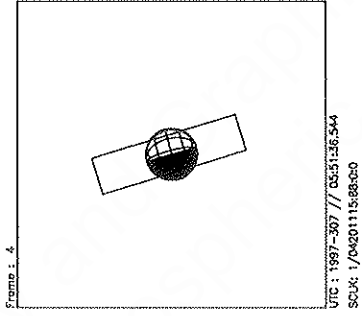
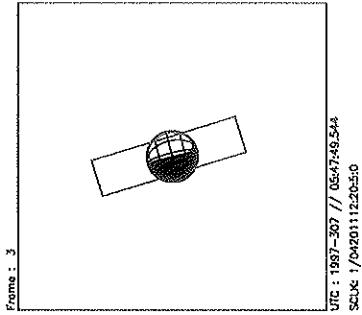
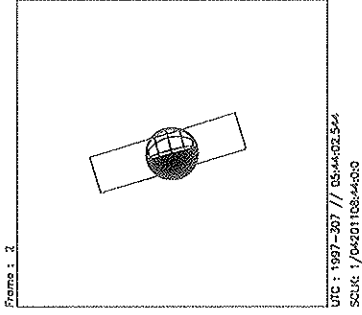
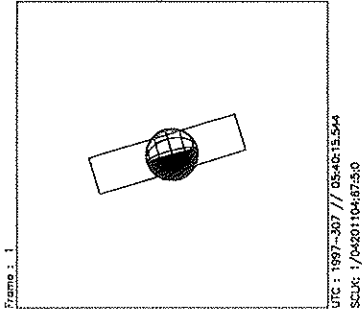
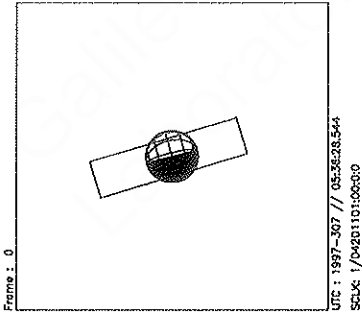
CDS	RIM	COMMAND	PARAMETERS	PSID
0	000	COMMENT	UVS RIM 0	(384CB)
0	003+UVFLUSH	DISCRD	---Omitted to save bytes	
38	003	CMDRS		(157CB)
	004	1	34UVS,D1,F,N,N,N,S,0,OFF,OFF,	ON, ON,OFF,NOOVR,1,B6,45,00,00
	034	31	34UVS,C1,F,N,N,N,S,0,OFF,OFF,	ON,OFF,OFF,NOOVR,1,2C,05,00,00
54	004	TARGET	with TMC on body	(165CC)
28	033+UVFLUSH	PACKET,UVS		(349CD)



Start UTC_TIME : 1997-306 // 19:18:41.232
End UTC_TIME : 1997-306 // 19:49:01.231
Start SCLK : 1/04200490:00:00
Delta Time between FOV : 227.0000
FOVs : F Channel(0.1x0.4), N/G Channel(0.1x1.0)

Target Body : CALLISTO
Target Ra/Dec : 225.36 / -19.04 Deg
S/C to Body Center : 2388863. Km (994.11712 Rc)
Z-axis Pointing (Ra / Dec) : 137.25 / 19.00 Deg

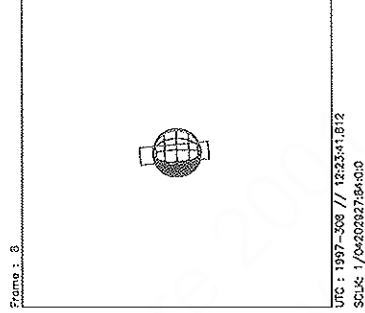
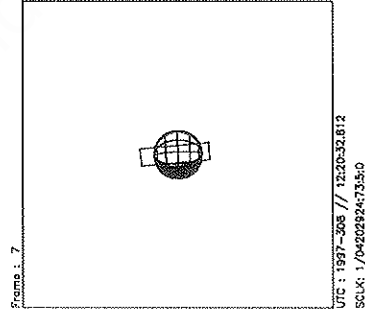
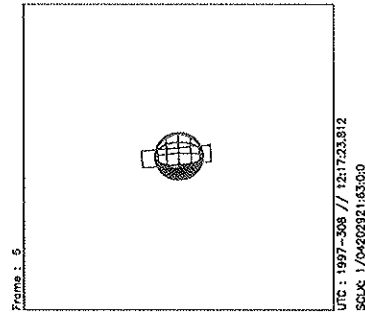
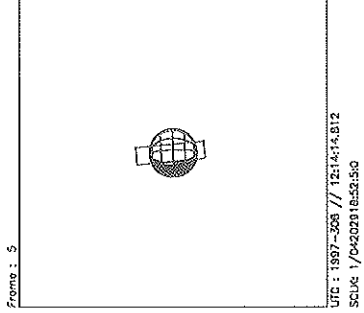
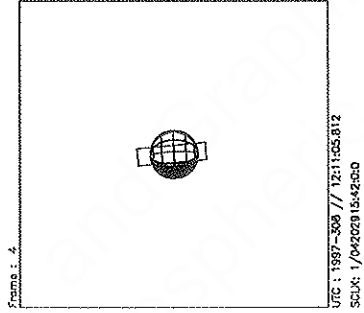
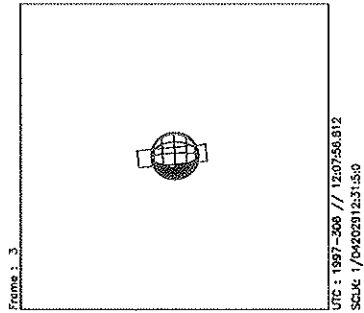
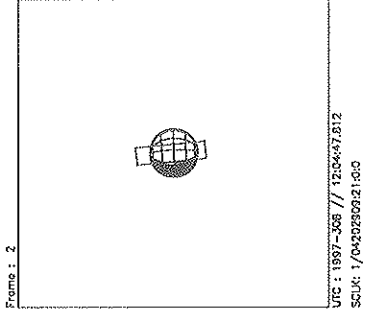
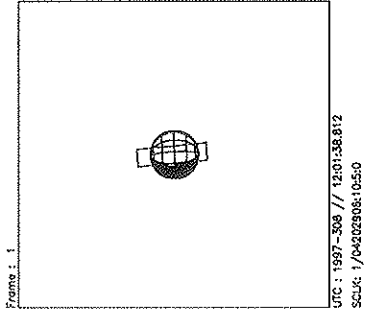
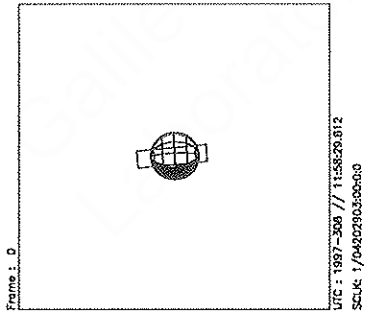
Activity ID: Orbit 11	OAPEL CUPHAS89	SeqNo 01-
Title UVS Callisto Phase 89		Instrument UVS
Requestor UVS-SWG/W. SWEET X30523	Team UVS	Working Group SWG
Time System CDS	Load ID 11A	Calendar Date 11/03/97 Week 44
Start CEE-CDS 00002951:00:0	97-307/05:32:30.733	CEE-002/01:43:47.333
End CEE-CDS 00002917:00:0	97-307/06:06:53.400	CEE-002/01:09:24.666
Duration 00000034:00:0	000/00:34:22.667	000/00:34:22.667
Top Label 11CUPHAS8901-		
Bottom Label (real-time)		
Plot Key UVS	Type SCI	
CDS Bytes 148	Report Options BOTH	Scan Platform Yes
CDS Source OAP	Spin State DUAL	DMS No
Observation Objective		
<div style="border: 1px solid black; padding: 5px;"> <p>11CUPHAS8901- observation. Observe Europa at ~100° longitude and ~89° phase angle. Target with TMC.</p> <p>UVS configuration: F/F full scans Rj = 41.25</p> <p>MBTG = 1 flush * 17712 bits/flush = 0.018</p> </div>		
Design Detail		
<pre> CDS RIM COMMAND PARAMETERS PSID ----- 0 000 COMMENT UVS RIM 0 (384CC) 28 003+UVFLUSH DISCRD,UVS (349CE) 38 003 CMDRS (157CC) 004 1 34UVS,07,S,N,N,N,S,0, ON,OFF,OFF, ON,OFF,NOOVR,1,00,9C,00,00 034 31 34UVS,C1,F,N,N,N,S,0,OFF,OFF, ON,OFF,OFF,NOOVR,1,2C,05,00,00 54 004 TARGET with TMC on body (165CD) 28 033+UVFLUSH PACKET,UVS (349CF) </pre>		



Start UTC_TIME : 1997-307 // 05:36:28.544
End UTC_TIME : 1997-307 // 06:06:48.544
Start SCLK : 1/04201101:00:0:0
Delta Time between FOV : 227.0000
FOVs : F Channel(0.1x0.4), N/G Channel(0.1x1.0)

Target Body : CALLISTO
Target Ra/Dec : 230.98 / -20.52 Deg
S/C to Body Center : 2003639 Km (833.80723 Rc)
Z-axis Pointing (Ra / Dec) : 137.25 / 19.00 Deg

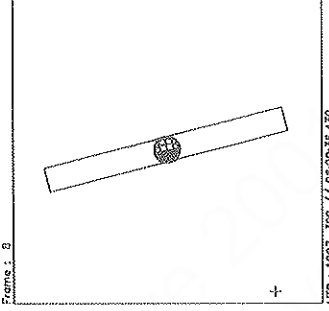
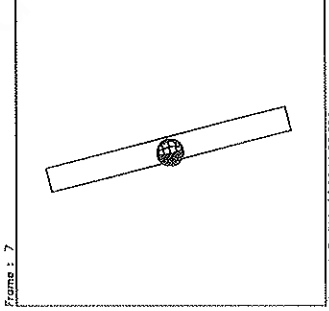
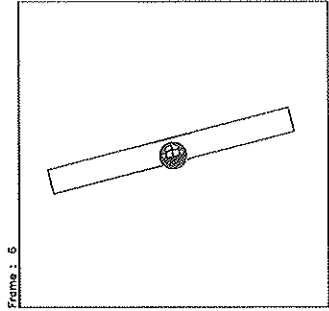
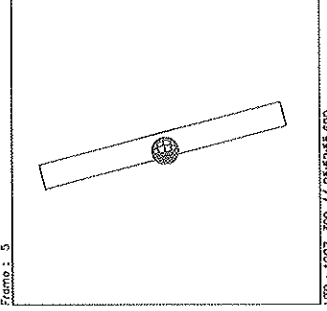
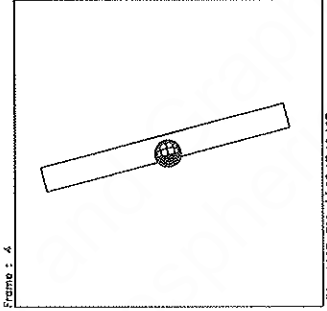
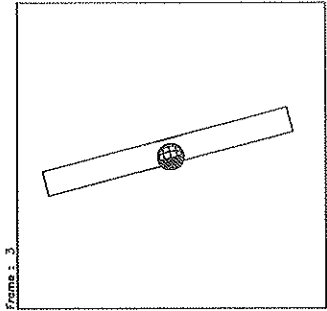
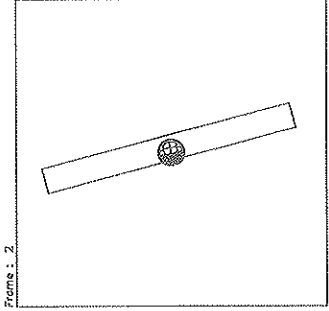
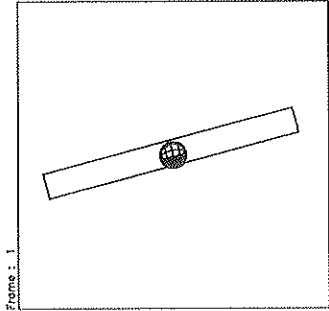
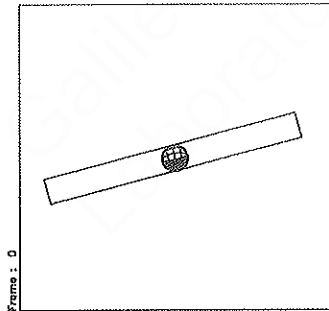
Activity ID: Orbit 11		OAPEL CUPHAS61		SeqNo 01-	
Title		UVS Callisto Phase 61		Instrument UVS	
Requestor		UVS-SWG/W. SWEET X30523		Team UVS	
				Working Group SWG	
Time System	CDS	Load ID	11A	Calendar Date	11/04/97
				Week	45
Start	CEE-CDS 00001149:00:0		97-308/11:54:32.066		CEE-000/19:21:46.000
End	CEE-CDS 00001120:00:0		97-308/12:23:51.400		CEE-000/18:52:26.666
Duration	00000029:00:0		000/00:29:19.334		000/00:29:19.334
Top Label		11CUPHAS6101-			
Bottom Label		(real-time)			
Plot Key	UVS	Type	SCI		
CDS Bytes	148	Report Options	BOTH		
CDS Source	OAP	Spin State	DUAL		
		Scan Platform	Yes		
		DMS	No		
Observation Objective					
<div style="border: 1px solid black; padding: 5px;"> <p>11CUPHAS6101- observation. Observe Callisto at -90' longitude and -61' phase angle. Target with TMC.</p> <p>UVS configuration: F/F full scans Rj = 31.26</p> <p>MBTG = 1 flush * 17712 bits/flush = 0.018</p> </div>					
Design Detail					
CDS	RIM	COMMAND	PARAMETERS	PSID	
0	000	COMMENT	UVS RIM 0	(384CF)	
28	003	UVFLUSH	DISCRD,UVS	(349CK)	
38	003	CMDRS		(157CF)	
	004	1	34UVS,07,S,N,N,N,S,0, ON,OFF,OFF, ON,OFF,NOOVR,1,00,9C,00,00		
	029	26	34UVS,C1,F,N,N,N,S,0,OFF,OFF, ON,OFF,OFF,NOOVR,1,2C,05,00,00		
54	004	TARGET	with TMC on body	(165CG)	
28	028	UVFLUSH	PACKET,UVS	(349CL)	



Start UTC_TIME : 1997-308 // 11:58:29.812
End UTC_TIME : 1997-308 // 12:23:46.477
Start SCLK : 1/04202903:00:00
Delta Time between FOV : 189.0000
FOVs : F Channel(0.1x0.4), N/G Channel(0.1x1.0)

Target Body : CALLISTO
Target Ra/Dec : 261.68 / -24.86 Deg
S/C to Body Center : 989753.6 Km (411.88247 Rc)
Z-axis Pointing (Ra / Dec) : 137.25 / 19.00 Deg

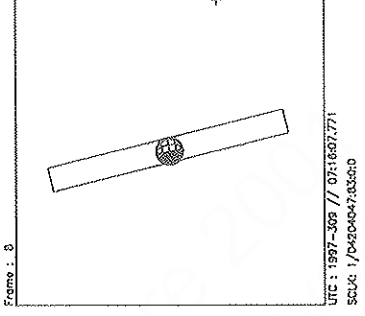
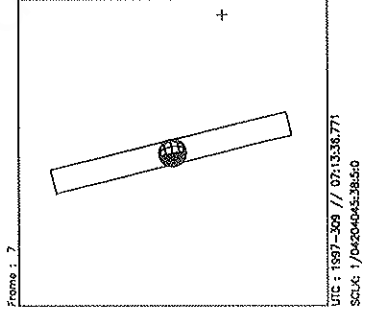
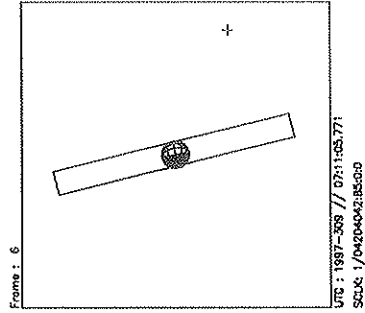
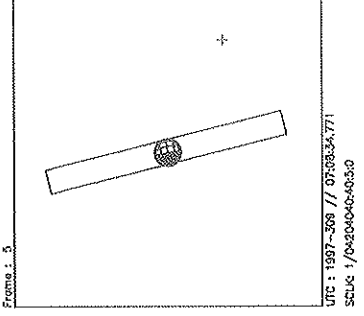
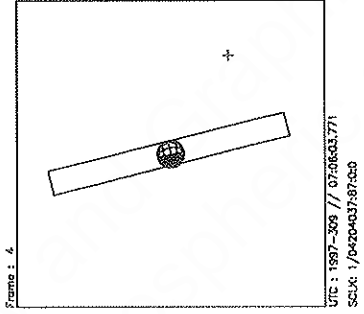
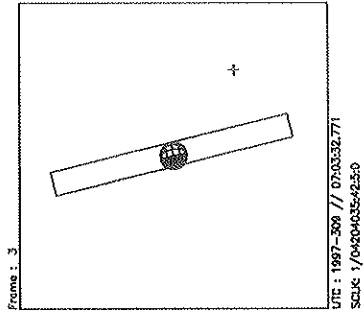
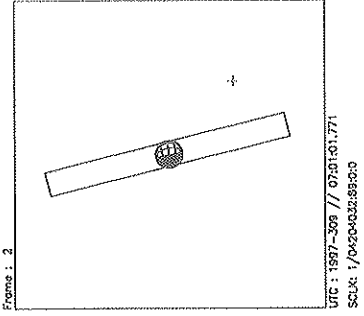
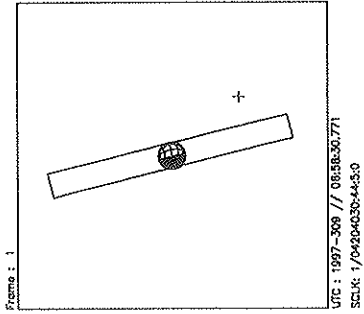
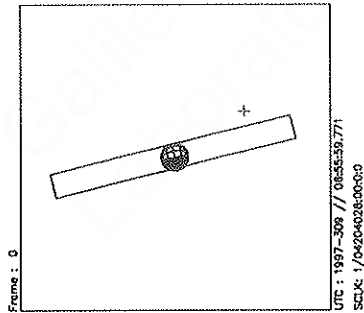
Activity ID: Orbit 11	OAPEL EUEUDARK	SeqNo 02-
Title	UVS Europa Eclipse Observation 2	Instrument UVS
Requestor	UVS-SWG/W. SWEET X30523	Team UVS
		Working Group SWG
Time System CDS	Load ID 11A	Calendar Date 11/05/97
		Week 45
Start	EEE-CDS 00002343:00:0	97-309/05:02:50.400
		EEE-001/15:29:02.000
End	EEE-CDS 00002266:00:0	97-309/06:20:41.734
		EEE-001/14:11:10.666
Duration	00000077:00:0	000/01:17:51.334
		000/01:17:51.334
Top Label	11EUEUDARK02-	
Bottom Label	(real-time)	
Plot Key	UVS	Type SCI
CDS Bytes	148	Report Options BOTH
		Scan Platform Yes
CDS Source	OAP	Spin State DUAL
		DMS No
Observation Objective		
<p>11EUEUDARK02- observation. Observe Europa in eclipse at 90° longitude. Time satellite is completely in umbra shadow. Target with TMC.</p> <p>UVS configuration: 1356-1479 Å G/G 22-step mini-scans Rj = 24.9</p> <p>MBTG = 1 flush * 17712 bits/flush = 0.018</p>		
Design Detail		
CDS RIM COMMAND PARAMETERS		PSID
-----		-----
0 000 COMMENT UVS RIM 0		(384CE)
0 003+UVFLUSH DISCRD,UVS	<--Omitted to save bytes	
66 003 CMDRS		(157CE)
004 1 34UVS,D3,F,N,N,N,S,0,OFF,OFF,		ON, ON,OFF,NOOVR,1,B3,4D,00,51
029 26 34UVS,C1,F,N,N,N,S,0,OFF,OFF,		ON,OFF,OFF,NOOVR,1,2C,05,00,00
052 49 34UVS,D3,F,N,N,N,S,0,OFF,OFF,		ON, ON,OFF,NOOVR,1,B3,4D,00,51
077 74 34UVS,C1,F,N,N,N,S,0,OFF,OFF,		ON,OFF,OFF,NOOVR,1,2C,05,00,00
54 004 TARGET with TMC on body		(165CF)
28 076+UVFLUSH PACKET,UVS		(349CI)



Start UTC_TIME : 1997-309 // 05:06:47.775
 End UTC_TIME : 1997-309 // 06:20:36.439
 Start SCLK : 1/04203920:00:0:0
 Delta Time between FOV : 553.5830
 FOVs : F Channel(0.1x0.4), N/G Channel(0.1x1.0)

Target Body : EUROPA
 Target Ra/Dec : 236.97 / -21.70 Deg
 S/C to Body Center : 1753179. Km (1120.2424 Re)
 Z-axis Pointing (Ra / Dec) : 137.25 / 19.00 Deg

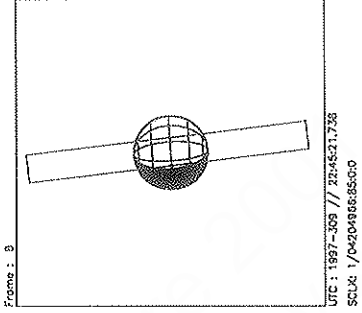
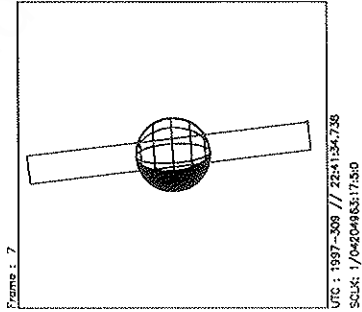
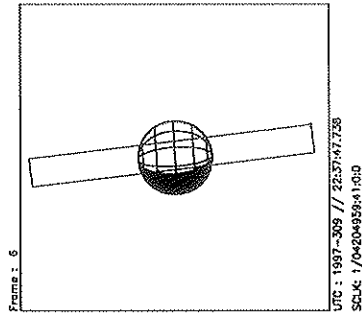
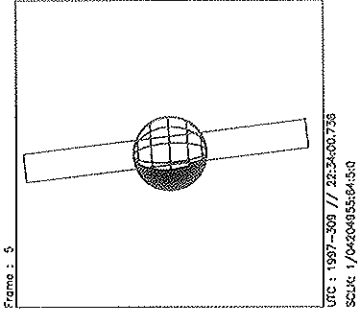
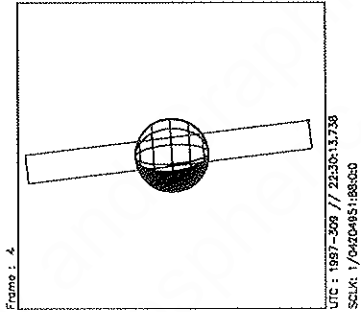
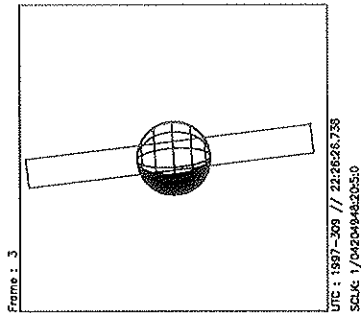
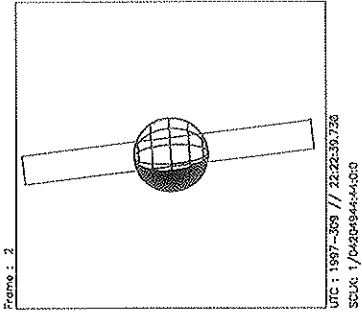
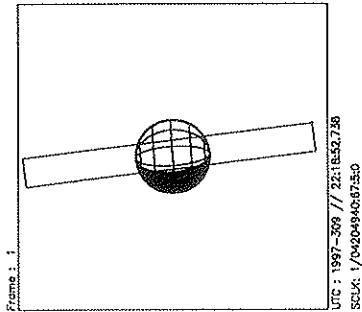
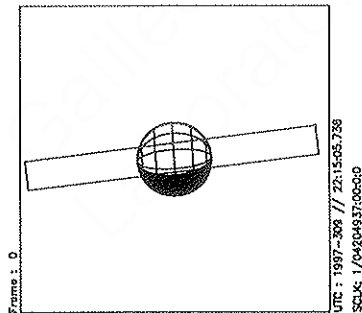
Activity ID: Orbit 11		OAPEL EUEUDARK		SeqNo 01-	
Title	UVS Europa Eclipse Observation 1			Instrument	UVS
Requestor	UVS-SWG/W. SWEET X30523	Team	UVS	Working Group	SWG
Time System	CDS	Load ID	11A	Calendar Date	11/05/97 Week 45
Start	EEE-CDS 00002235:00:0		97-309/06:52:02.000		EEE-001/13:39:50.000
End	EEE-CDS 00002211:00:0		97-309/07:16:18.000		EEE-001/13:15:34.000
Duration	00000024:00:0		000/00:24:16.000		000/00:24:16.000
Top Label	11EUEUDARK01-				
Bottom Label	(real-time)				
Plot Key	UVS	Type	SCI		
CDS Bytes	148	Report Options	BOTH	Scan Platform	Yes
CDS Source	OAP	Spin State	DUAL	DMS	No
Observation Objective					
<div style="border: 1px solid black; padding: 5px; width: 200px; height: 150px; display: inline-block; vertical-align: top;"> </div> <p>11EUEUDARK01- observation. Observe Europa in eclipse at 90° longitude. Time satellite is completely in umbra shadow. Target with TMC.</p> <p>UVS configuration: 1356-1479 Å G/G 22-step mini-scans Rj = 24.0</p> <p>MBTG = 1 flush * 17712 bits/flush = 0.018</p>					
Design Detail					
CDS RIM COMMAND PARAMETERS				PSID	
-----				-----	
0	000	COMMENT	UVS RIM 0		(384CG)
28	003+UVFLUSH	DISCRD,	UVS		(349CM)
38	003	CMDRS			(157CH)
	004	1	34UVS,D3,F,N,N,N,S,0,OFF,OFF,	ON,	ON,OFF,NOOVR,1,B3,4D,00,51
	024	21	34UVS,C1,F,N,N,N,S,0,OFF,OFF,	ON,OFF,OFF,NOOVR,1,2C,05,00,00	
54	004	TARGET	with TMC on body		(165CH)
28	023+UVFLUSH	PACKET,	UVS		(349CN)



Start UTC_TIME : 1997-309 // 06:55:59.771
End UTC_TIME : 1997-309 // 07:16:13.104
Start SCLK : 1/04204028:00:00
Delta Time between FOV : 151.0000
FOVs : F Channel(0.1x0.4), N/G Channel(0.1x1.0)

Target Body : EUROPA
Target Ra/Dec : 239.55 / -22.20 Deg
S/C to Body Center : 1633699. Km (1043.8973 Re)
Z-axis Pointing (Ra / Dec) : 137.25 / 19.00 Deg

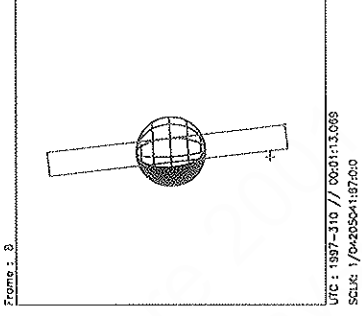
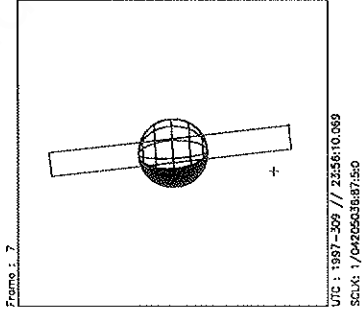
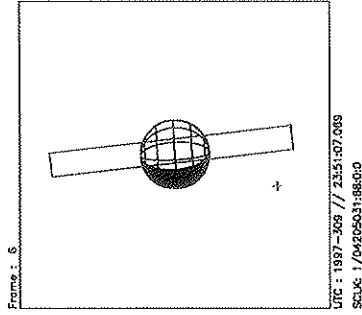
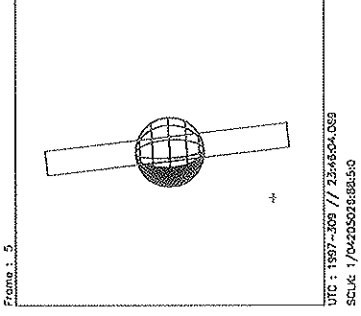
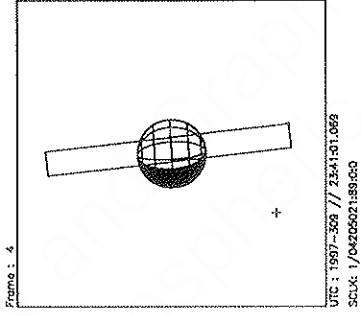
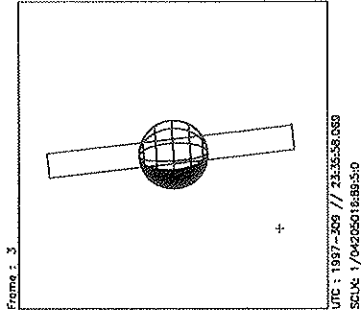
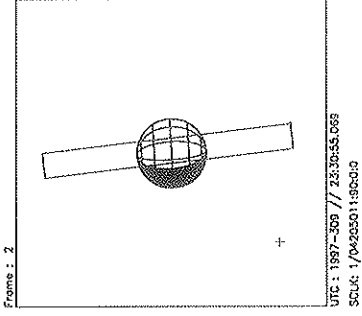
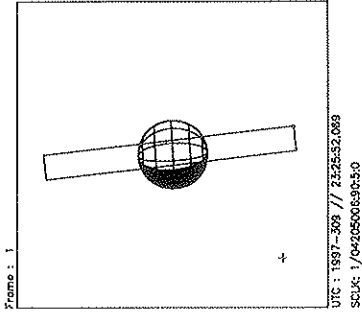
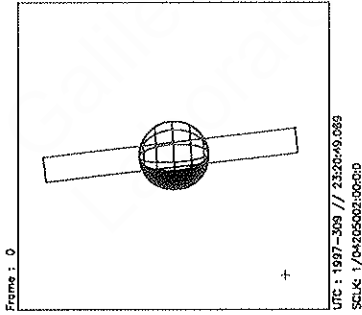
Activity ID: Orbit 11	OAPEL EUPHAS65	SeqNo 01-
Title UVS Europa Phase 65		Instrument UVS
Requestor UVS-SWG/W. SWEET X30523	Team UVS	Working Group SWG
Time System CDS	Load ID 11A	Calendar Date 11/05/97 Week 45
Start EEE-CDS 00001326:00:0	97-309/22:11:08.000	EEE-000/22:20:44.000
End EEE-CDS 00001292:00:0	97-309/22:45:30.667	EEE-000/21:46:21.333
Duration 00000034:00:0	000/00:34:22.667	000/00:34:22.667
Top Label 11EUPHAS6501-		
Bottom Label (real-time)		
Plot Key UVS	Type SCI	
CDS Bytes 148	Report Options BOTH	Scan Platform Yes
CDS Source OAP	Spin State DUAL	DMS No
Observation Objective		
	11EUPHAS6501- observation. Observe Europa at ~135' longitude and ~65' phase angle. Target with TMC on body.	
	UVS configuration: 1356-1479 Å G/G 22-step mini-scans Rj= 17.7	
	MBTG = 1 flush * 17712 bits/flush = 0.018	
Design Detail		
CDS RIM COMMAND PARAMETERS		PSID
0 000 COMMENT UVS RIM 0		(384CH)
28 003+UVFLUSH DISCRD, UVS		(349CO)
38 003 CMDRS		(157CI)
004 1 34UVS, D3, F, N, N, N, S, 0, OFF, OFF, ON, ON, OFF, NOOVR, 1, B3, 4D, 00, 51		
034 31 34UVS, C1, F, N, N, N, S, 0, OFF, OFF, ON, OFF, OFF, NOOVR, 1, 2C, 05, 00, 00		
54 004 TARGET with TMC on body		(165CI)
28 033+UVFLUSH PACKET, UVS		(349CP)



Start UTC_TIME : 1997-309 // 22:15:05.738
End UTC_TIME : 1997-309 // 22:45:25.737
Start SCLK : 1/04204937:00:0
Delta Time between FOV : 227.0000
FOVs : F Channel(0.1x0.4), N/G Channel(0.1x1.0)

Target Body : EUROPA
Target Ra/Dec : 258.31 / -24.47 Deg
S/C to Body Center : 708308.4 Km (452.59324 Re)
Z-axis Pointing (Ra / Dec) : 137.25 / 19.00 Deg

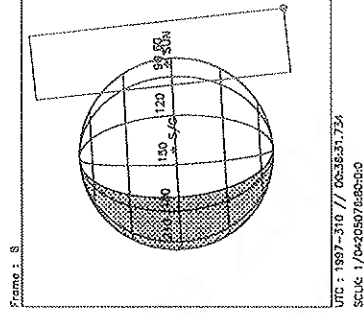
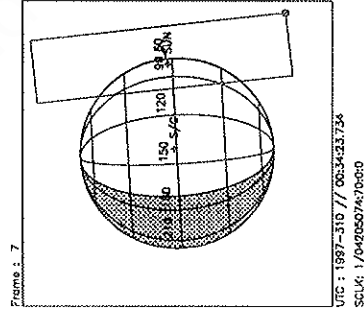
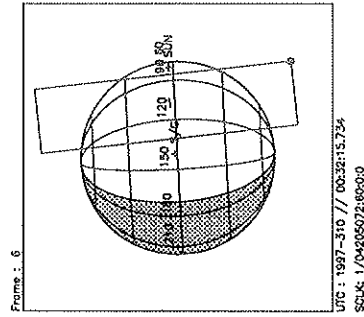
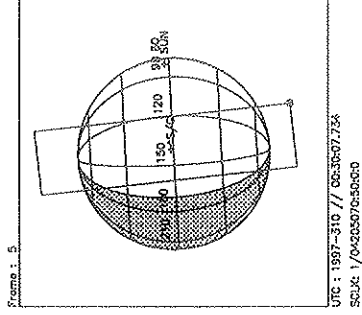
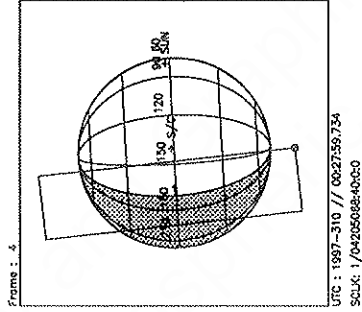
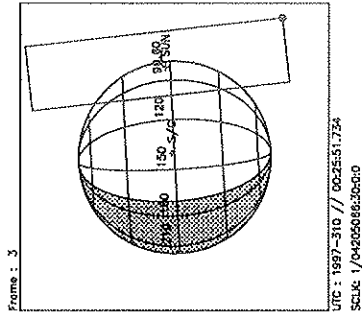
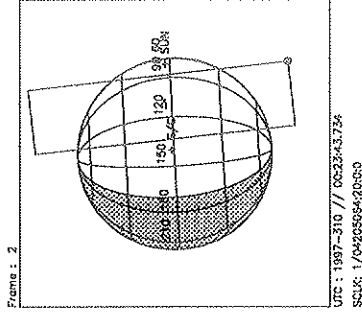
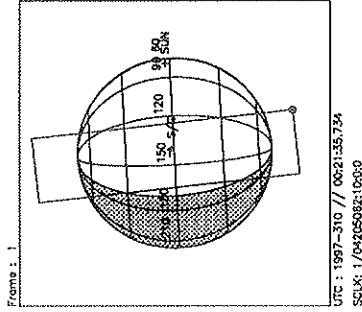
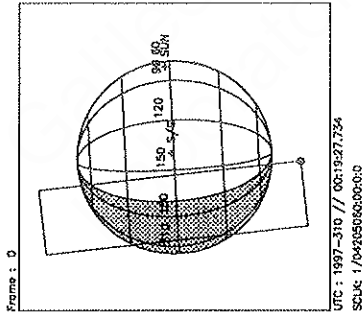
Activity ID: Orbit 11		OAPEL EUPHAS64		SeqNo 01-	
Title UVS Europa Phase 64				Instrument UVS	
Requestor UVS-SWG/W. SWEET X30523		Team UVS		Working Group SWG	
Time System CDS	Load ID 11A	Calendar Date 11/05/97	Week 45		
Start EEE-CDS 00001261:00:0		97-309/23:16:51.334	EEE-000/21:15:00.666		
End EEE-CDS 00001217:00:0		97-310/00:01:20.667	EEE-000/20:30:31.333		
Duration 00000044:00:0		000/00:44:29.333	000/00:44:29.333		
Top Label 11EUPHAS6401-					
Bottom Label (real-time)					
Plot Key UVS	Type SCI				
CDS Bytes 120	Report Options BOTH	Scan Platform Yes			
CDS Source OAP	Spin State DUAL	DMS No			
Observation Objective					
<div style="display: flex;"> <div style="border: 1px solid black; width: 200px; height: 150px; margin-right: 10px;"></div> <div> <p>11EUPHAS6401- observation. Observe Europa at ~139° longitude and ~64° phase angle. Target with TMC on body.</p> <p>UVS configuration: 1216-1304 Å G/G 16-step mini-scans Rj = 17.3</p> <p>MBTG = 2 flushes * 17712 bits/flush = 0.035</p> </div> </div>					
Design Detail					
CDS RIM COMMAND PARAMETERS				PSID	
-----				-----	
0	000	COMMENT UVS RIM 0		(384CI)	
0	003	UVFLUSH DISCRD <--Omitted to save bytes			
38	003	CMDRS		(157CJ)	
	004	1 34UVS,D1,F,N,N,N,S,0,OFF,OFF,	ON,	ON,OFF,NOOVR,1,5A,45,00,39	
	044	41 34UVS,C1,F,N,N,N,S,0,OFF,OFF,	ON,OFF,OFF,NOOVR,1,2C,05,00,00		
54	004	TARGET with TMC on body		(165CJ)	
28	043	UVFLUSH PACKET,UVS		(349CR)	



Start UTC_TIME : 1997-309 // 23:20:49.069
 End UTC_TIME : 1997-310 // 00:01:15.734
 Start SCLK : 1/04205002:00:0:0
 Delta Time between FOW : 303.0000
 FOWs : F Channel(0.1x0.4), N/G Channel(0.1x1.0)

Target Body : EUROPA
 Target Ra/Dec : 259.21 / -24.51 Deg
 S/C to Body Center : 653414.5 Km (417.51723 Re)
 Z-axis Pointing (Ra / Dec) : 137.25 / 19.00 Deg

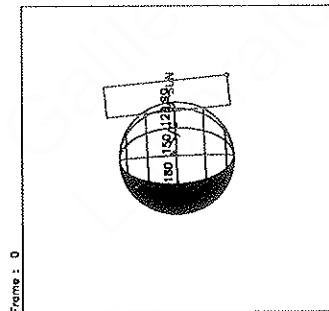
Activity ID: Orbit 11	OAPEL EUM20HR_	SeqNo 01+		
Title	UVS r/a w/ NIMS Europa Obs Beyond 15 Rj	Instrument UVS		
Requestor	UVS-SWG/W. SWEET X30523	Team UVS		
		Working Group SWG		
Time System CDS	Load ID 11A	Calendar Date 11/06/97		
		Week 45		
Start	EEE-CDS 00001203:00:0	97-310/00:15:30.000		
		EEE-000/20:16:22.000		
End	EEE-CDS 00001183:00:0	97-310/00:35:43.334		
		EEE-000/19:56:08.666		
Duration	00000020:00:0	000/00:20:13.334		
		000/00:20:13.334		
Top Label	11EUM20HR_01+			
Bottom Label	(ride-along)			
Plot Key	UVS	Type SCI		
CDS Bytes	38	Report Options BOTH		
		Scan Platform No		
CDS Source	OAP	Spin State DUAL		
		DMS No		
Observation Objective				
	11EUM20HR_01+: Ride-along with the NIMS 11EUM20HR_01 observation to observe Europa in the 1600Å to 3200Å wavelength regions at phase angles not obtainable from the Earth. Data will supplement and complement the NIMS surface property measurements.			
	Rj = 16.9			
	UVS configuration: F/F full scans			
	MBTG = (1008 bits/sec) * (300 sec) /1.5 (compression) = 0.202			
Design Detail				
CDS	RIM	COMMAND	PARAMETERS	PSID
-----	-----	-----	-----	-----
38	000	CMDRS		(157CK)
	004	1	34UVS,07,S,N,N,N,S,0, ON,OFF,OFF, ON,OFF,NOOVR,1,00,9C,00,00	
	012	9	34UVS,C1,F,N,N,N,S,0,OFF,OFF, ON,OFF,OFF,NOOVR,1,2C,05,00,00	



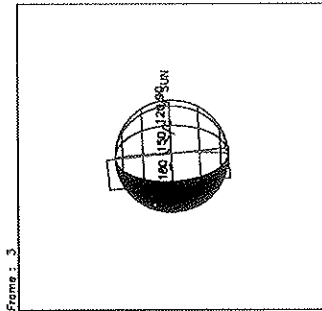
Start UTC.TIME : 1997-310 // 00:19:27.734
End UTC.TIME : 1997-310 // 00:36:39.066
Start SCLK : 1/04205060:00:0:0
Delta Time between FOV : 128.0000
FOVs : F Channel(0.1x0.4), N/G Channel(0.1x1.0)

Target Body : EUROPA
Target Ra/Dec : 259.92 / -24.55 Deg
S/C to Body Center : 606246.3 Km (387.37783 Re)
Z-axis Pointing (Ra / Dec) : 157.25 / 19.00 Deg

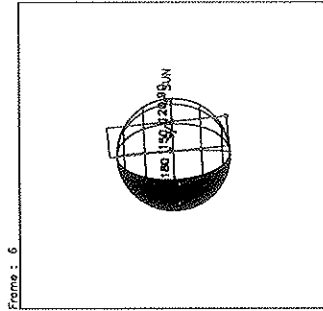
Activity ID: Orbit 11		OAPEL EUP17HR_		SeqNo 01+	
Title	UVS r/a w/ NIMS Europa Obs Beyond 15 Rj			Instrument	UVS
Requestor	UVS-SWG/W. SWEET X30523	Team	UVS	Working Group	SWG
Time System	CDS	Load ID	11A	Calendar Date	11/06/97
				Week	45
Start	EEE-CDS 00001042:00:0		97-310/02:58:17.334		EEE-000/17:33:34.666
End	EEE-CDS 00001022:00:0		97-310/03:18:30.667		EEE-000/17:13:21.333
Duration	00000020:00:0		000/00:20:13.333		000/00:20:13.333
Top Label	11EUP17HR_01+				
Bottom Label	(ride-along)				
Plot Key	UVS	Type	SCI		
CDS Bytes	38	Report Options	BOTH	Scan Platform	No
CDS Source	OAP	Spin State	DUAL	DMS	No
Observation Objective					
<div style="border: 1px solid black; padding: 5px;"> <p>11EUP17HR_01+: Ride-along with the NIMS 11EUP17HR_01 observation to observe Europa in the 1600Å to 3200Å wavelength regions at phase angles not obtainable from the Earth. Data will supplement and complement the NIMS surface property measurements.</p> <p>Rj = 15.6 UVS configuration: F/F full scans</p> <p>MBTG = (1008 bits/sec) * (360 sec) /1.5 compression) = 0.242</p> </div>					
Design Detail					
CDS RIM COMMAND PARAMETERS				PSID	
-----				-----	
38	000	CMDRS		(157CL)	
	004	1	34UVS,07,S,N,N,N,S,0,	ON,OFF,OFF,	ON,OFF,NOOVR,1,00,9C,00,00
	013	10	34UVS,C1,F,N,N,N,S,0,OFF,OFF,	ON,OFF,OFF,NOOVR,1,2C,05,00,00	



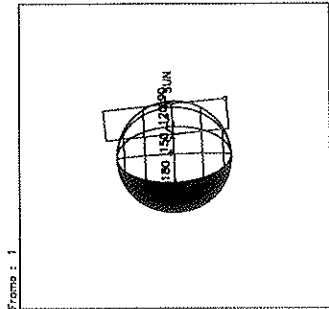
UTC : 1997-310 // 03:00:13.728
 SCUX: 1/04205215:0000



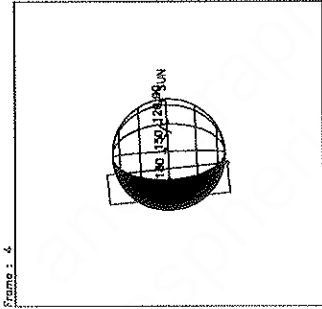
UTC : 1997-310 // 03:07:23.728
 SCUX: 1/04205228:1100



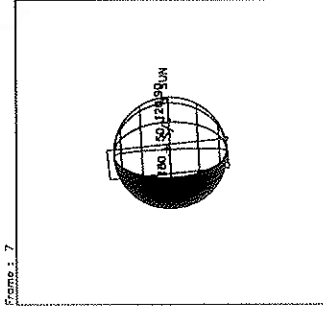
UTC : 1997-310 // 03:14:37.728
 SCUX: 1/04205232:2600



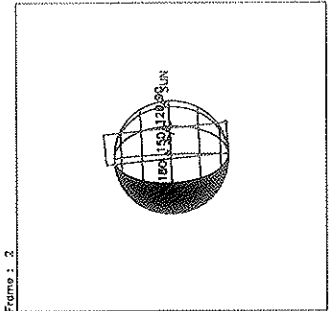
UTC : 1997-310 // 03:02:37.728
 SCUX: 1/04205221:34000



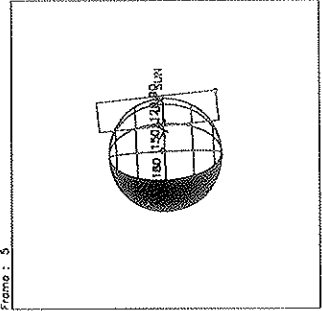
UTC : 1997-310 // 03:08:49.728
 SCUX: 1/04205228:45000



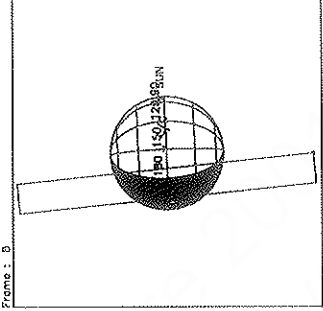
UTC : 1997-310 // 03:17:01.728
 SCUX: 1/04205235:56000



UTC : 1997-310 // 03:05:01.728
 SCUX: 1/04205223:68000



UTC : 1997-310 // 03:12:13.728
 SCUX: 1/04205230:79000

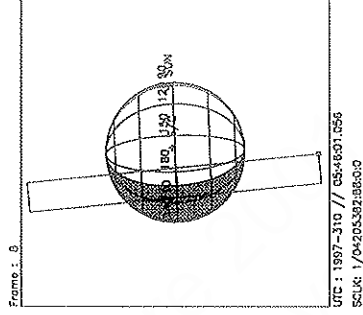
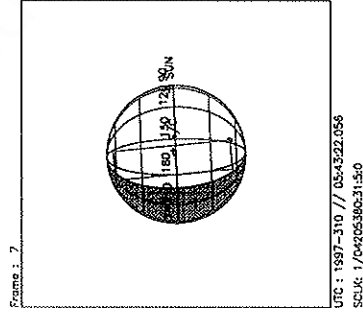
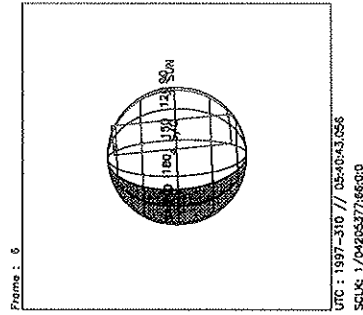
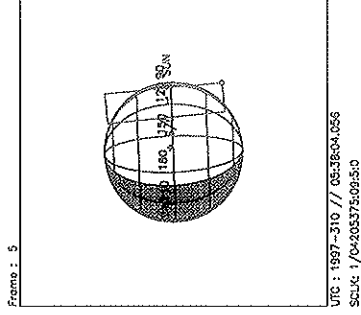
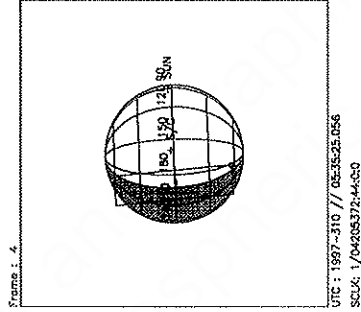
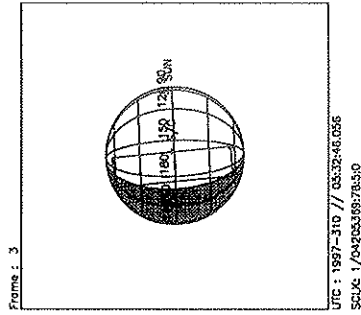
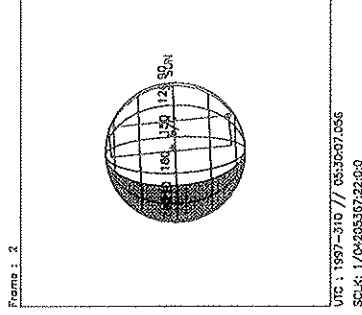
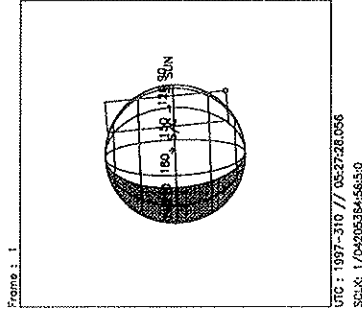
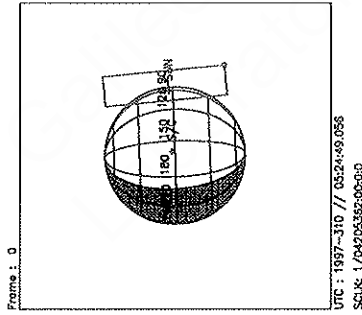


UTC : 1997-310 // 03:19:25.728
 SCUX: 1/04205237:98000

Start UTC.TIME : 1997-310 // 03:00:13.728
 End UTC.TIME : 1997-310 // 03:19:26.394
 Start SCUX : 1/04205219:00:00
 Delta Time between FOV : 144.0000
 FOVs : F Channel(0.1x0.4), N/G Channel(0.1x1.0)

Target Body : EUROPA
 Target Ra/Dec : 261.40/-24.60 Deg
 S/C to Body Center : 486210.0 Km (310.67730 Re)
 Z-axis Pointing (Ra / Dec) : 137.25 / 19.00 Deg

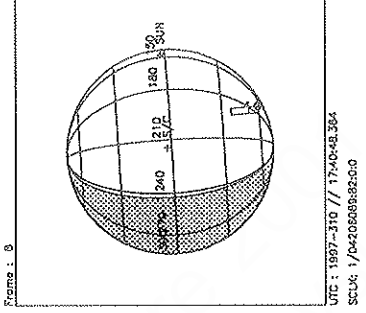
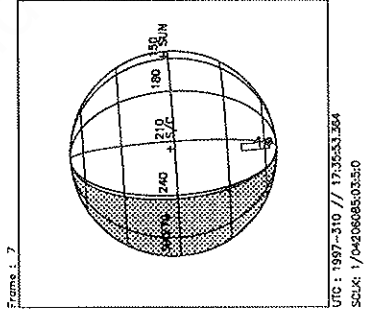
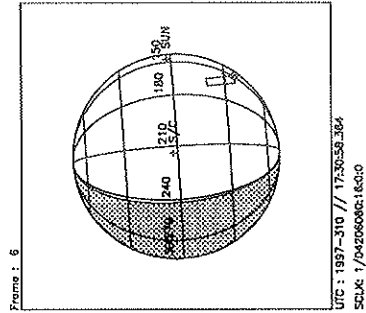
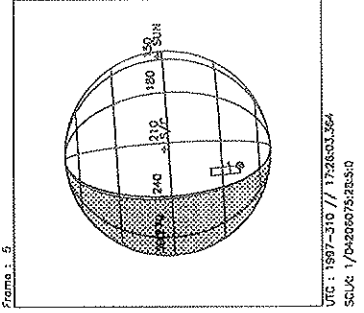
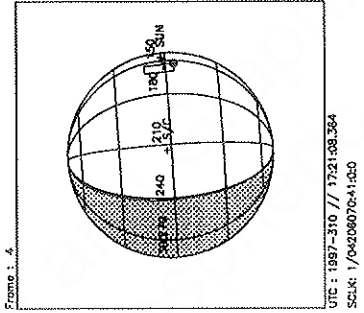
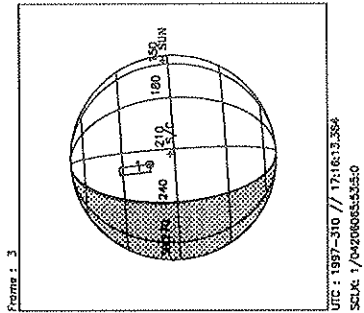
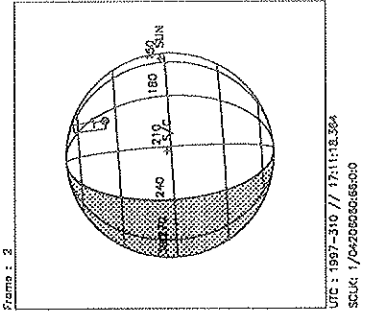
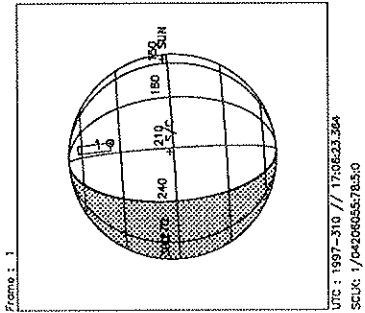
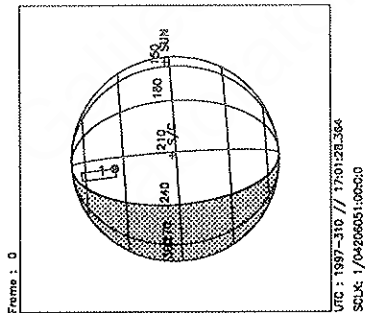
Activity ID:	Orbit 11	OAPEL	EUM15HR_	SeqNo	01+
Title	UVS r/a w/ NIMS Europa Obs at Minus 15			Instrument	UVS
Requestor	UVS-SWG/W. SWEET X30523	Team	UVS	Working Group	SWG
Time System	CDS	Load ID	11A	Calendar Date	11/06/97
				Week	45
Start	EEE-CDS 00000900:00:0		97-310/05:21:52.000		EEE-000/15:10:00.000
End	EEE-CDS 00000876:00:0		97-310/05:46:08.000		EEE-000/14:45:44.000
Duration	00000024:00:0		000/00:24:16.000		000/00:24:16.000
Top Label	11EUM15HR_01+				
Bottom Label	(ride-along)				
Plot Key	UVS	Type	SCI		
CDS Bytes	38	Report Options	BOTH	Scan Platform	No
CDS Source	OAP	Spin State	DUAL	DMS	No
Observation Objective					
<div style="border: 1px solid black; padding: 5px;"> <p>11EUM15HR_01+: Ride-along with the NIMS 11EUM15HR_01 observation to observe Europa in the 1600Å to 3200Å wavelength regions at phase angles not obtainable from the Earth. Data will supplement and complement the NIMS surface property measurements.</p> <p>Rj = 14.5 UVS configuration: F/F full scans</p> <p>MBTG = (1008 bits/sec) * (450 sec) / 1.5 (compression) = 0.302</p> </div>					
Design Detail					
CDS RIM COMMAND PARAMETERS					PSID
-----					-----
38 000 CMDRS					(157CM)
004 1	34UVS,07,S,N,N,N,S,0,	ON,OFF,OFF,	ON,OFF,NOOVR,1,00,9C,00,00		
012 9	34UVS,C1,F,N,N,N,S,0,	OFF,OFF,	ON,OFF,OFF,NOOVR,1,2C,05,00,00		



Start UTC_TIME : 1997-310 // 05:24:49.056
End UTC_TIME : 1997-310 // 05:46:03.055
Start SCLK : 1/04205362:00:0:0
Delta Time between FOV : 159.0000
FOVs : F Channel(0.1x0.4), N/G Channel(0.1x1.0)

Target Body : EUROPA
Target Ra/Dec : 262.04 / -24.63 Deg
S/C to Body Center : 390399.7 Km (249.45667 Re)
Z-axis Pointing (Ra / Dec) : 137.25 / 19.00 Deg

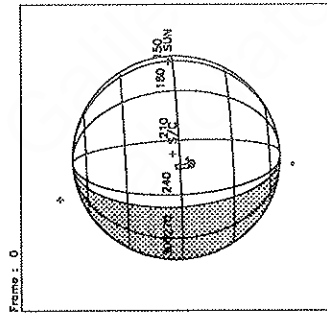
Activity ID: Orbit 11		OAPEL EUEUDISK		SeqNo 01-	
Title		UVS Europa disk-resolved		Instrument UVS	
Requestor		UVS-SWG/W. SWEET X30523		Team UVS	
				Working Group SWG	
Time System CDS		Load ID 11A		Calendar Date 11/06/97	
				Week 45	
Start		EEE-CDS 00000212:00:0		97-310/16:57:31.067	
				EEE-000/03:34:21.333	
End		EEE-CDS 00000169:00:0		97-310/17:40:59.734	
				EEE-000/02:50:52.666	
Duration		00000043:00:0		000/00:43:28.667	
				000/00:43:28.667	
Top Label		11EUEUDISK01-			
Bottom Label		(real-time)			
Plot Key		UVS		Type SCI	
CDS Bytes		571		Report Options BOTH	
				Scan Platform Yes	
CDS Source		OAP		Spin State DUAL	
				DMS No	
Observation Objective					
<div style="display: flex;"> <div style="border: 1px solid black; width: 200px; height: 150px; margin-right: 10px;"></div> <div> <p>11EUEUDISK01- observation. Real-time disk-resolved Europa observation. 3 rims per position.</p> <p>UVS configuration: F/F full scans Rj = 10.2</p> <p>MBTG = 10 flushes * 17712 bits/flush = 0.177</p> </div> </div>					
Design Detail					
CDS RIM COMMAND PARAMETERS				PSID	
0	000	COMMENT	UVS RIM 0	(384CJ)	
28	003+	UVFLUSH	DISCRD, UVS	(349CS)	
38	003	CMDRS		(157CN)	
	004	1	34UVS, 07, S, N, N, N, S, 0, ON, OFF, OFF, ON, OFF, NOOVR, 1, 00, 9C, 00, 00	(165CL)	
	051	48	34UVS, C1, F, N, N, N, S, 0, OFF, OFF, ON, OFF, OFF, NOOVR, 1, 2C, 05, 00, 00	(116CQ)	
54	004	TARGET	with TMC on body	(116CP)	
28	006+	UVFLUSH	PACKET, UVS	(349CU)	
19	007	SUB-TARGET		(116CQ)	
28	010+	UVFLUSH	PACKET, UVS	(349CV)	
19	011	SUB-TARGET		(116CR)	
28	014+	UVFLUSH	PACKET, UVS	(349CW)	
19	015	SUB-TARGET		(116CS)	
28	018+	UVFLUSH	PACKET, UVS	(349CX)	
19	019	SUB-TARGET		(116CT)	
28	022+	UVFLUSH	PACKET, UVS	(349CY)	
19	023	SUB-TARGET		(116CU)	
28	026+	UVFLUSH	PACKET, UVS	(349CZ)	
19	027	SUB-TARGET			
28	030+	UVFLUSH	PACKET, UVS		



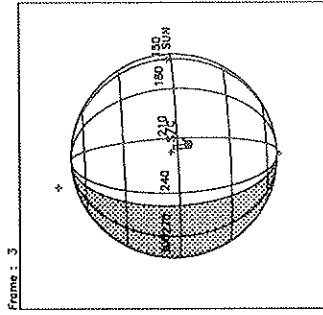
Start UTC_TIME : 1997-310 // 17:01:28.364
End UTC_TIME : 1997-310 // 17:40:54.363
Start SCLK : 1/04206051:00:0:0
Delta Time between FOV : 295.0000
FOVs : F Channel(0.1x0.4), N/G Channel(0.1x1.0)

Target Body : EUROPA
Target Ra/Dec : 258.65/-25.34 Deg
S/C to Body Center : 72000.39 Km (46.006641 Re)
Z-axis Pointing (Ra / Dec) : 137.25 / 19.00 Deg

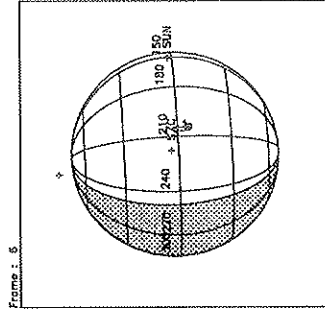
Activity ID: Orbit 11		OAPEL EUDRKLIT		SeqNo 01+	
Title	UVS r/a w/ NIMS Europa Dark Mosaic			Instrument	UVS
Requestor	UVS-SWG/W. SWEET X30523	Team	UVS	Working Group	SWG
Time System	CDS	Load ID	11A	Calendar Date	11/06/97
				Week	45
Start	EEE-CDS 00000102:00:0		97-310/18:48:44.000		EEE-000/01:43:08.000
End	EEE-CDS 00000088:00:0		97-310/19:02:53.334		EEE-000/01:28:58.666
Duration	00000014:00:0		000/00:14:09.334		000/00:14:09.334
Top Label	11EUDRKLIT01+				
Bottom Label	(ride-along)				
Plot Key	UVS	Type	SCI		
CDS Bytes	38	Report Options	BOTH	Scan Platform	No
CDS Source	OAP	Spin State	DUAL	DMS	No
Observation Objective					
<div style="border: 1px solid black; padding: 5px;"> <p>11EUDRKLIT01+: Ride-along with the NIMS 11EUDRKLIT01 observation to observe crater on the lit side of Europa in the 1600Å to 3200Å wavelength regions at phase angles not obtainable from the Earth. Data will supplement and complement the NIMS surface property measurements.</p> <p>Rj = 9.7 UVS configuration: F/F full scans</p> <p>MBTG = (1008 bits/sec) * (750 sec) * 0.3 (compression) = 0.227</p> </div>					
Design Detail					
CDS	RIM	COMMAND	PARAMETERS	PSID	
38	000	CMDRS		{157C0}	
	001	1	34UVS,07,S,N,N,N,S,0, ON,OFF,OFF, ON,OFF,NOOVR,1,00,9C,00,00		
	013	13	34UVS,C1,F,N,N,N,S,0,OFF,OFF, ON,OFF,OFF,NOOVR,1,2C,05,00,00		



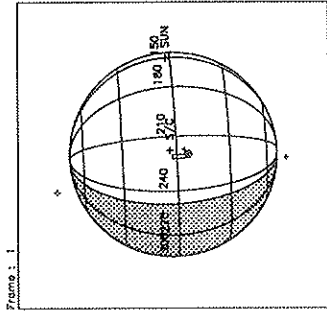
UTC : 1997-310 // 18:49:39.694
 SCLK : 1/04206158:00:00



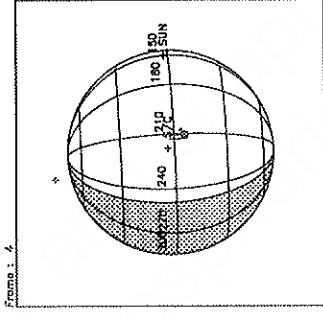
UTC : 1997-310 // 18:54:09.694
 SCLK : 1/04206182:41:50



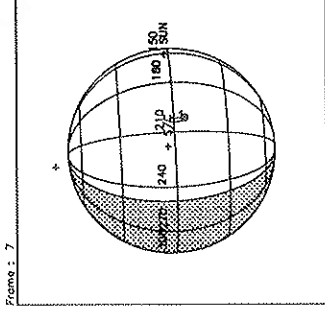
UTC : 1997-310 // 18:58:39.694
 SCLK : 1/04206166:02:00



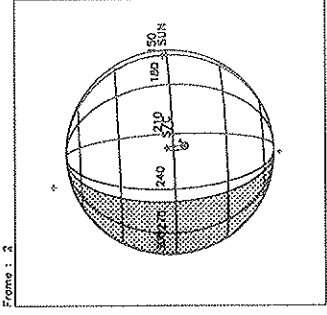
UTC : 1997-310 // 18:51:09.694
 SCLK : 1/04206156:44:00



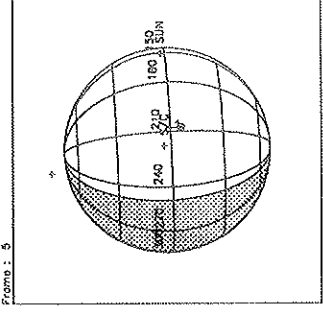
UTC : 1997-310 // 18:55:39.694
 SCLK : 1/04206163:55:00



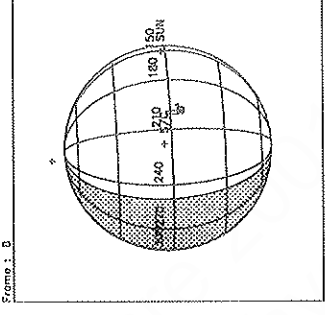
UTC : 1997-310 // 19:00:09.694
 SCLK : 1/04206168:35:00



UTC : 1997-310 // 18:52:39.694
 SCLK : 1/04206160:35:00



UTC : 1997-310 // 18:57:09.694
 SCLK : 1/04206165:35:00

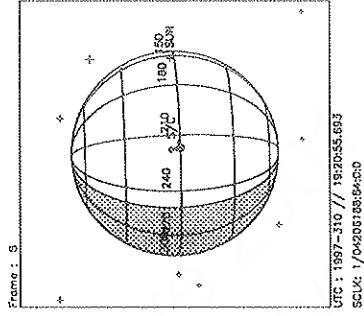
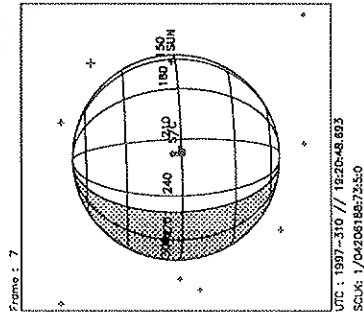
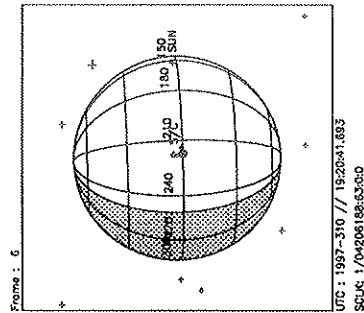
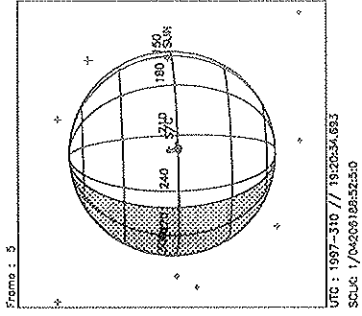
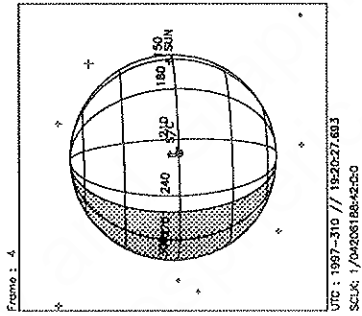
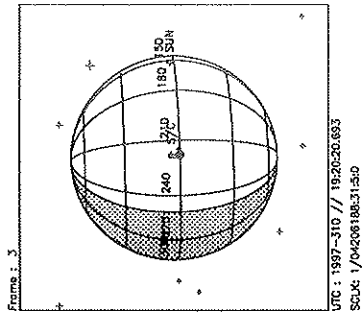
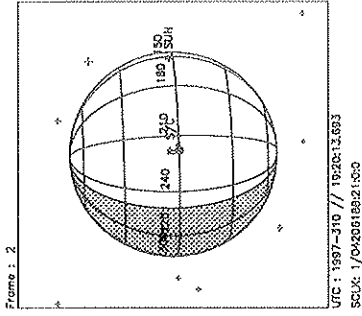
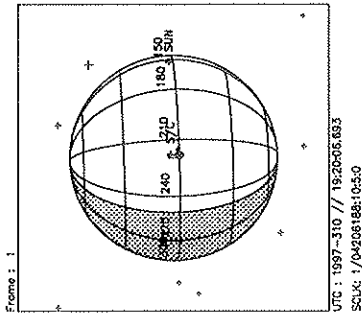
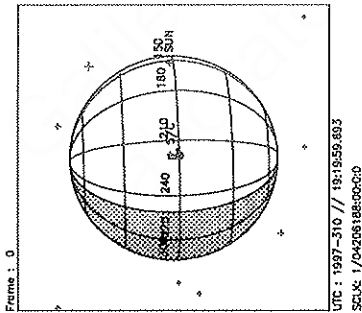


UTC : 1997-310 // 19:01:39.694
 SCLK : 1/04206169:35:00

Target Body : EUROPA
 Target Ra/Dec : 260.95 / -26.81 Deg
 S/C to Body Center : 34915.57 Km (22.310270 Re)
 Z-axis Pointing (Ra / Dec) : 137.25 / 19.00 Deg

Start UTC_TIME : 1997-310 // 18:49:39.694
 End UTC_TIME : 1997-310 // 19:01:47.693
 Start SCLK : 1/04206158:00:00
 Delta Time between FOV : 90.00000
 FOVs : F Channel(0.1x0.4), N/G Channel(0.1x1.0)

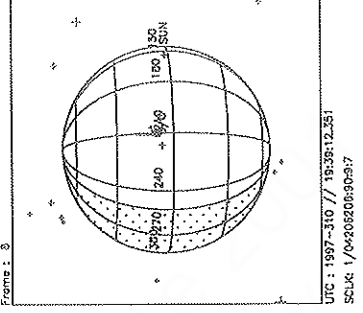
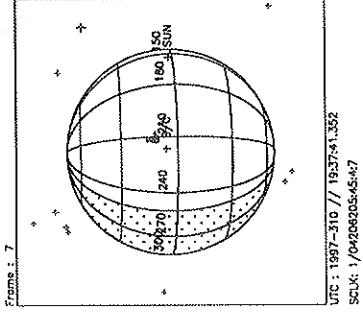
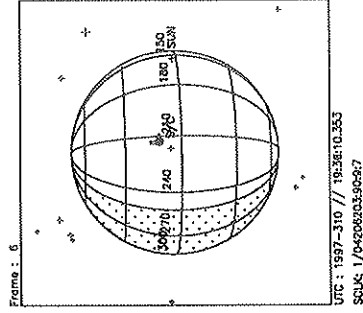
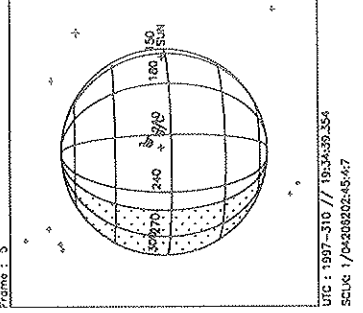
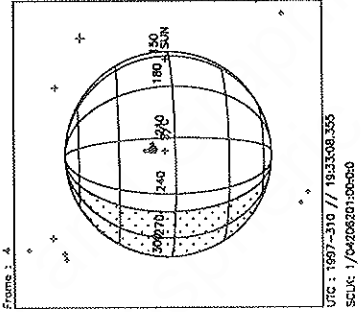
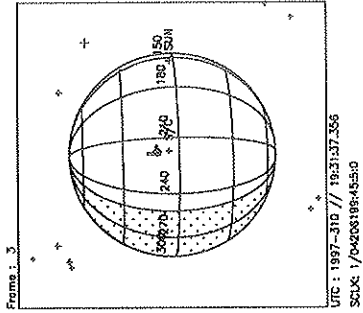
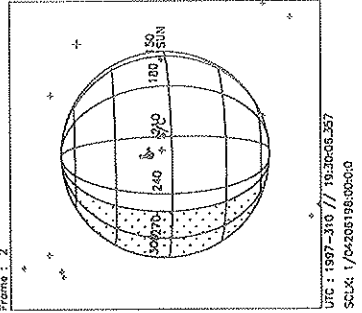
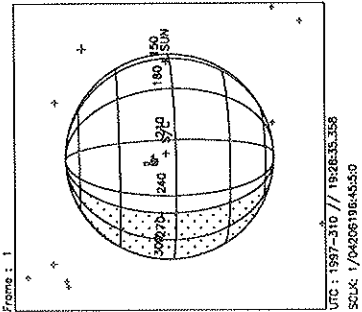
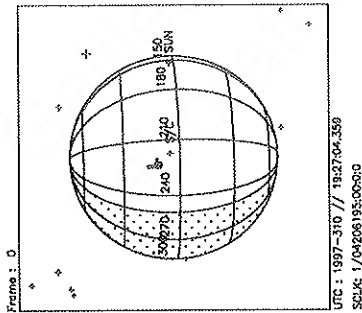
Activity ID: Orbit 11		OAPEL EUEURORT		SeqNo 01+	
Title	UVS r/a w/ NIMS Europa Real-Time Obs.			Instrument	UVS
Requestor	UVS-SWG/W. SWEET X30523	Team	UVS	Working Group	SWG
Time System	CDS	Load ID	11A	Calendar Date	11/06/97 Week 45
Start	EEE-CDS 00000075:00:0		97-310/19:16:02.000		EEE-000/01:15:50.000
End	EEE-CDS 00000070:00:0		97-310/19:21:05.334		EEE-000/01:10:46.666
Duration	00000005:00:0		000/00:05:03.334		000/00:05:03.334
Top Label	11EUEURORT01+				
Bottom Label	(real-time)				
Plot Key	UVS	Type	SCI		
CDS Bytes	94	Report Options	BOTH	Scan Platform	Yes
CDS Source	OAP	Spin State	DUAL	DMS	No
Observation Objective					
	11EUEURORT01+: Ride-along with the NIMS 11EUEURORT01 observation to observe Europa in the 1600Å to 3200Å wavelength regions at phase angles not obtainable from the Earth. Data will supplement and complement the NIMS surface property measurements. Real-time.				
	UVS configuration: F/F full scans Rj = 19.6				
	MBTG = 1 flush * 17712 bits/flush = 0.018				
Design Detail					
CDS RIM COMMAND PARAMETERS					PSID
-----					-----
28 001+UVFLUSH DISCRD, UVS					(349DF)
38 000 CMDRS					(157CP)
001 1 34UVS, 07, S, N, N, N, S, 0,	ON, OFF, OFF,				ON, OFF, NOOVR, 1, 00, 9C, 00, 00
005 5 34UVS, C1, F, N, N, N, S, 0,	OFF, OFF,				ON, OFF, OFF, NOOVR, 1, 2C, 05, 00, 00
28 004+UVFLUSH PACKET, UVS					(349DG)



Start UTC_TIME : 1997-310 // 19:19:59.693
End UTC_TIME : 1997-310 // 19:21:00.359
Start SCLK : 1/04206188:00:00
Delta time between FOV : 7.000000
FOVs : F Channel(0.1x0.4), N/G Channel(0.1x1.0)

Target Body : EUROPA
Target Ra/Dec : 263.36 / -27.97 Deg
S/C to Body Center : 24670.35 Km (15.763803 Re)
Z-axis Pointing (Ra / Dec) : 137.25 / 19.00 Deg

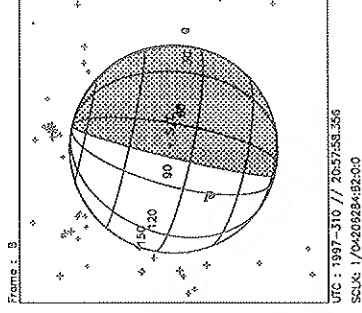
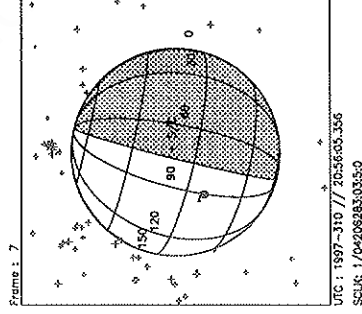
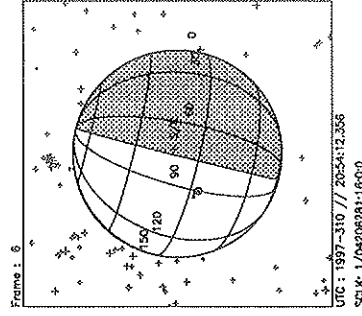
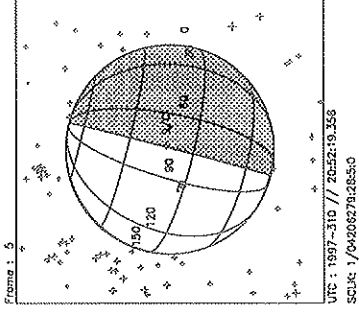
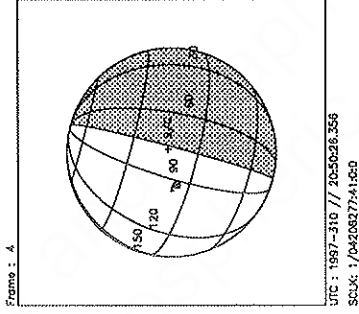
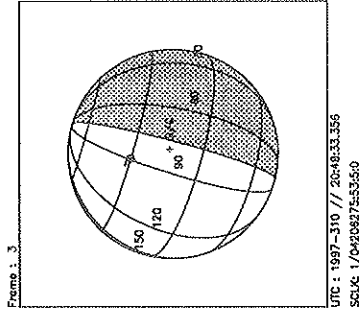
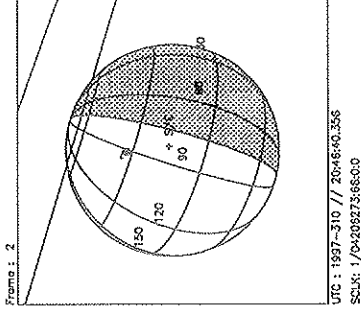
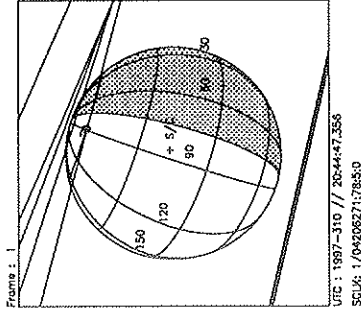
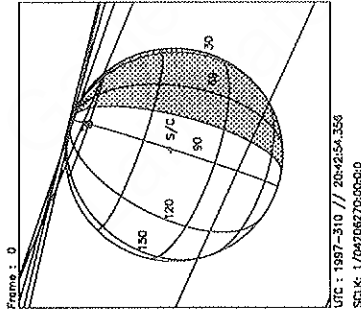
Activity ID:	Orbit 11	OAPEL	EUCYCLOD	SeqNo	01+
Title	UVS r/a w/ NIMS Europa Cyclodial Observa			Instrument	UVS
Requestor	UVS-SWG/W. SWEET X30523	Team	UVS	Working Group	SWG
Time System	CDS	Load ID	11A	Calendar Date	11/06/97
				Week	45
Start	EEE-CDS 00000065:00:0		97-310/19:26:08.667		EEE-000/01:05:43.333
End	EEE-CDS 00000048:00:0		97-310/19:43:20.000		EEE-000/00:48:32.000
Duration	00000017:00:0		000/00:17:11.333		000/00:17:11.333
Top Label	11EUCYCLOD01+				
Bottom Label	(ride-along)				
Plot Key	UVS	Type	SCI		
CDS Bytes	38	Report Options	BOTH		
CDS Source	OAP	Spin State	DUAL		
			Scan Platform	No	
			DMS	No	
Observation Objective					
<div style="border: 1px solid black; padding: 5px;"> <p>11EUCYCLOD01+: Ride-along with the NIMS 11EUCYCLOD01 observation to observe Europa in the 1600Å to 3200Å wavelength regions at phase angles not obtainable from the Earth. Data will supplement and complement the NIMS surface property measurements.</p> <p>Rj = 9.5 UVS configuration: F/F full scans MBTG = (1008 bits/sec) * (720 sec) * 0.3 (compression) = 0.218</p> </div>					
Design Detail					
CDS	RIM	COMMAND	PARAMETERS	PSID	
38	000	CMDRS		(157CQ)	
	001	1	34UVS,07,S,N,N,N,S,0, ON,OFF,OFF, ON,OFF,NOOVR,1,00,9C,00,00		
	013	13	34UVS,C1,F,N,N,N,S,0,OFF,OFF, ON,OFF,OFF,NOOVR,1,2C,05,00,00		



Start UTC_TIME : 1997-310 // 19:27:04.359
End UTC_TIME : 1997-310 // 19:39:12.359
Start SCLK : 1/04206195:00:0
Delta Time between FOV : 90.99900
FOVs : F Channel(0.1x0.4), N/G Channel(0.1x1.0)

Target Body : EUROPA
Target Ra/Dec : 264.28 / -28.39 Deg
S/C to Body Center : 22292.42 Km (14.244356 Re)
Z-axis Pointing (Ra / Dec) : 137.25 / 19.00 Deg

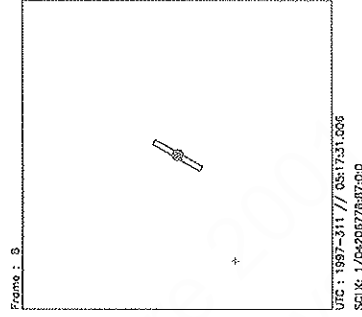
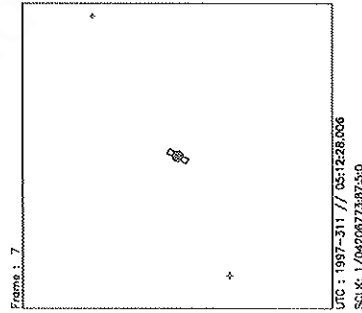
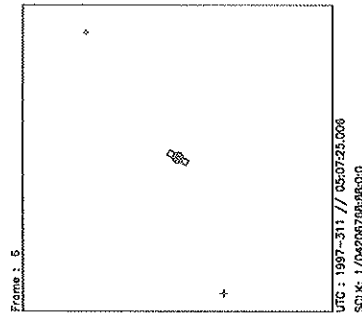
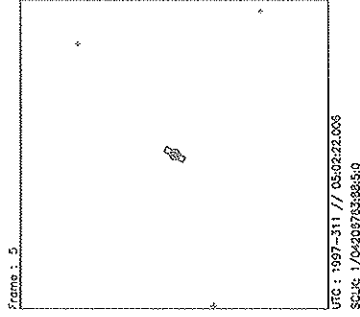
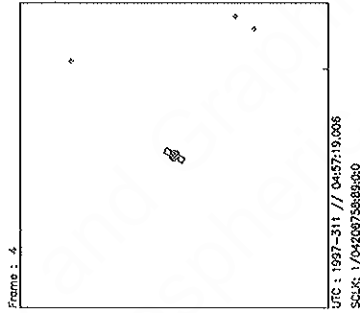
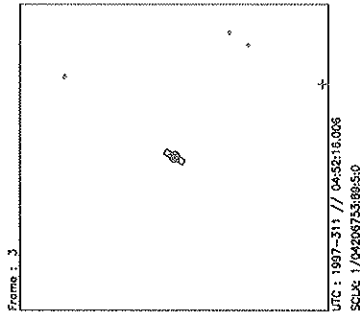
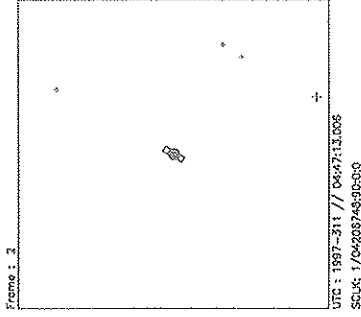
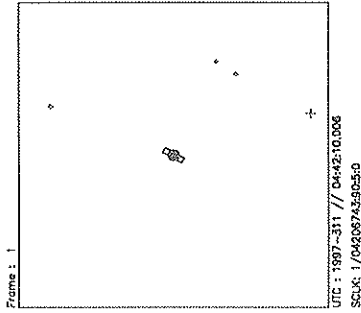
Activity ID: Orbit 11		OAPEL EULEAD_...		SeqNo 01-	
Title	UVS Leading Hemisphere			Instrument	UVS
Requestor	UVS-SWG/W. SWEET X30523	Team	UVS	Working Group	SWG
Time System	CDS	Load ID	11A	Calendar Date	11/06/97
				Week	45
Start	EEE+CDS 00000010:00:0		97-310/20:41:58.666		EEE+000/00:10:06.666
End	EEE+CDS 00000026:00:0		97-310/20:58:09.333		EEE+000/00:26:17.333
Duration	00000016:00:0		000/00:16:10.667		000/00:16:10.667
Top Label	11EULEAD_01-				
Bottom Label	(real-time)				
Plot Key	UVS	Type	SCI		
CDS Bytes	269	Report Options	BOTH	Scan Platform	Yes
CDS Source	OAP	Spin State	DUAL	DMS	No
Observation Objective					
<div style="border: 1px solid black; padding: 5px;"> <p>11EULEAD_01- real-time observation. Observe Europa's leading hemisphere at 4 latitudes, +60, +30, 0, -30. Target with TMC, one CSMOS. NIMS will ride-along.</p> <p>UVS configuration: F/F full scans Rj = 9.2</p> <p>MBTG = 4 flushes * 17712 bits/flush = 0.071</p> </div>					
Design Detail					
CDS RIM COMMAND PARAMETERS					PSID
0 000 COMMENT UVS RIM 0					(384CK)
28 000+UVFLUSH DISCRD, UVS					(349DH)
38 000 CMDRS					(157CR)
001 1 34UVS, 07, S, N, N, N, S, 0, ON, OFF, OFF, ON, OFF, NOOVR, 1, 00, 9C, 00, 00					
016 16 34UVS, C1, F, N, N, N, S, 0, OFF, OFF, ON, OFF, OFF, NOOVR, 1, 2C, 05, 00, 00					
54 001 TARGET with TMC					(165CM)
37 001 CSMOS (3-position, 3-slews)					(117CA)
28 003+UVFLUSH PACKET, UVS					(349CQ)
28 007+UVFLUSH PACKET, UVS					(349DI)
28 011+UVFLUSH PACKET, UVS					(349DJ)
28 015+UVFLUSH PACKET, UVS					(349DK)



Start UTC_TIME : 1997-310 // 20:42:54.356
End UTC_TIME : 1997-310 // 20:58:04.356
Start SCLK : 1/04206270:00:00
Delta Time between FOV : 113.0000
FOVs : F Channel(0.1x0.4), N/G Channel(0.1x1.0)

Target Body : EUROPA
Target Ra/Dec : 40.37 / 0.05 Deg
S/C to Body Center : 5285.934 Km (3.3775938 Re)
Z-axis Pointing (Ra / Dec) : 137.25 / 19.00 Deg

Activity ID: Orbit 11	OAPEL GUPHAS00	SeqNo 01-
Title	UVS Ganymede Phase 0	Instrument UVS
Requestor	UVS-SWG/W. SWEET X30523	Team UVS Working Group SWG
Time System CDS	Load ID 11A	Calendar Date 11/07/97 Week 45
Start	JEE+CDS 00000229:00:0	97-311/04:33:09.332 JEE+000/03:51:32.666
End	JEE+CDS 00000273:00:0	97-311/05:17:38.666 JEE+000/04:36:02.000
Duration	00000044:00:0	000/00:44:29.334 000/00:44:29.334
Top Label	11GUPHAS0001-	
Bottom Label	(real-time)	
Plot Key	UVS	Type SCI
CDS Bytes	148	Report Options BOTH Scan Platform Yes
CDS Source	OAP	Spin State DUAL DMS No
Observation Objective		
	11GUPHAS0001- observation. Observe Ganymede at ~342' longitude and ~0' phase angle. Target with TMC.	
	UVS configuration: F/F full scans Rj = 9.3	
	MBTG = 1 flush * 17712 bits/flush = 0.018	
Design Detail		
CDS RIM COMMAND PARAMETERS		PSID
---		---
0 000 COMMENT UVS RIM 0		(384CM)
28 003+UVFLUSH DISCRD, UVS		(349DN)
38 003 CMDRS		(157CT)
004 1 34UVS,07,S,N,N,N,S,0, ON,OFF,OFF, ON,OFF,NOOVR,1,00,9C,00,00		
044 41 34UVS,C1,F,N,N,N,S,0,OFF,OFF, ON,OFF,OFF,NOOVR,1,2C,05,00,00		
54 004 TARGET with TMC on body		(165CO)
28 043+UVFLUSH PACKET, UVS		(349DO)



Start UTC_TIME : 1997-311 // 04:37:07.006
End UTC_TIME : 1997-311 // 05:17:33.671
Start SCLK : 1/04206739:00:00
Delta Time between FOV : 303.0000
FOVs : F Channel(0.1x0.4), N/G Channel(0.1x1.0)

Target Body : GANYMEDE
Target Ra/Dec : 326.60 / -13.96 Deg
S/C to Body Center : 1570610. Km (596.28334 Rg)
Z-axis Pointing (Ra / Dec) : 157.25 / 19.00 Deg

Activity ID: Orbit 11	OAPEL GUGADARK	SeqNo 01-
Title	UVS Ganymede Eclipse observation 1	Instrument UVS
Requestor	UVS-SWG/W. SWEET X30523	Team UVS
		Working Group SWG

Time System CDS	Load ID 11A	Calendar Date 11/07/97	Week 45
Start	JEE+CDS 00000752:00:0	97-311/13:21:57.999	JEE+000/12:40:21.333
End	JEE+CDS 00000779:00:0	97-311/13:49:15.999	JEE+000/13:07:39.333
Duration	00000027:00:0	000/00:27:18.000	000/00:27:18.000

Top Label	11GUGADARK01-		
Bottom Label	(real-time)		
Plot Key	UVS	Type	SCI
CDS Bytes	148	Report Options	BOTH
		Scan Platform	Yes
CDS Source	OAP	Spin State	DUAL
		DMS	No

Observation Objective

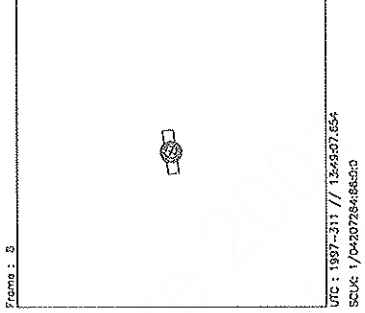
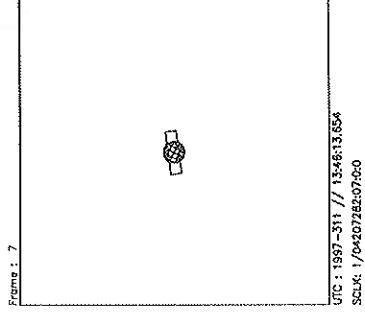
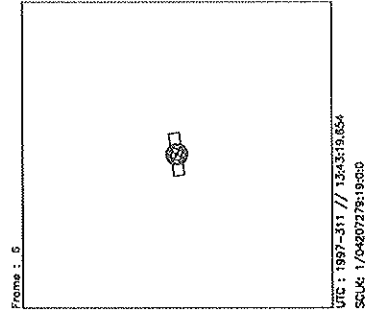
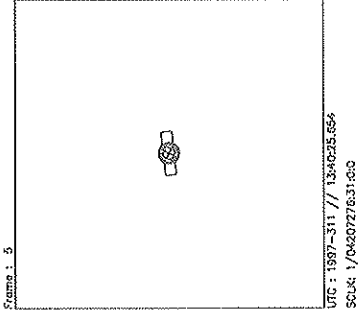
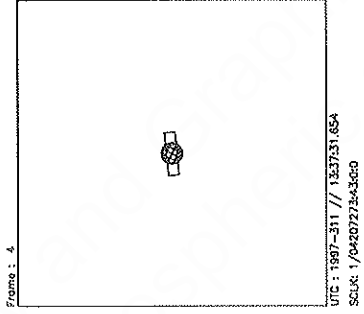
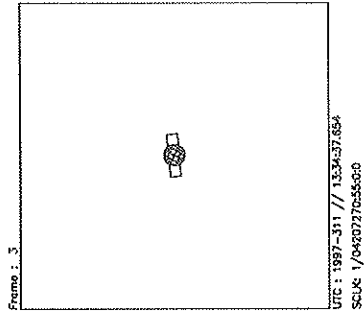
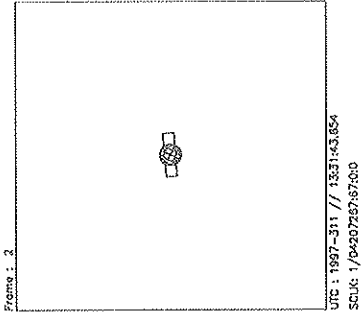
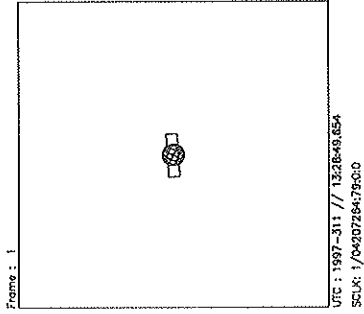
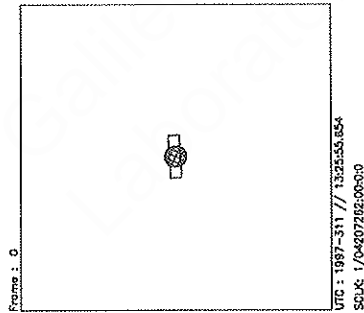
11GUGADARK01- observation. Observe Ganymede in total eclipse. Observe abundance of OH. Target with TMC.

UVS configuration: F/F 33-step 3090Å mini-scans
Rj = 11.5

MBTG = 1 flush * 17712 bits/flush = 0.018

Design Detail

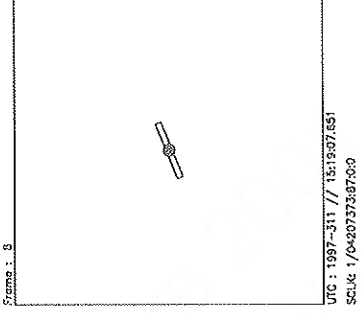
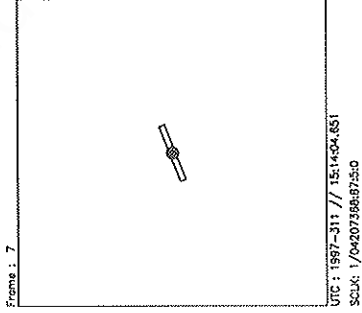
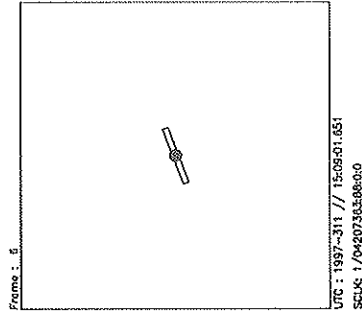
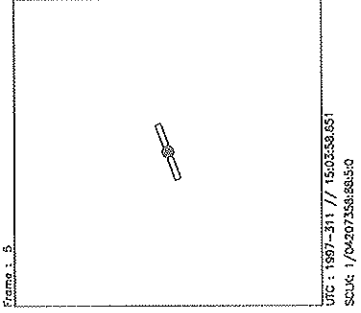
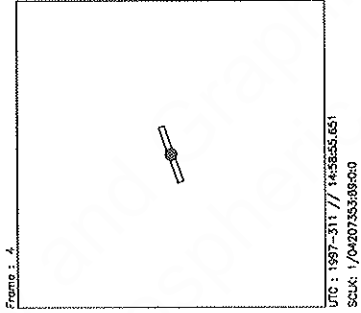
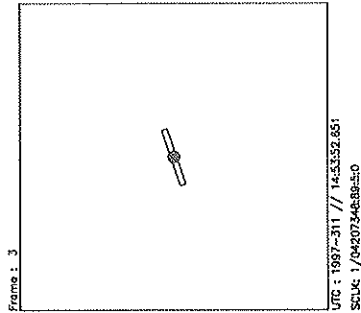
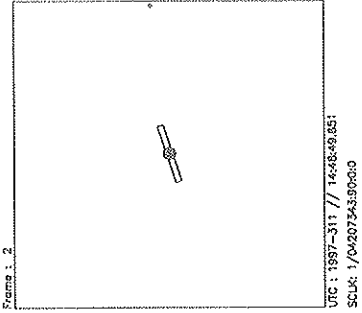
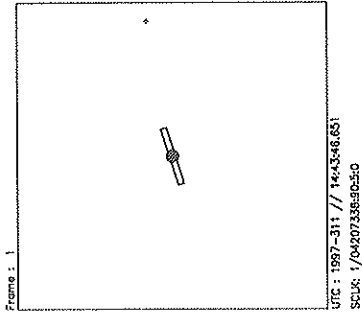
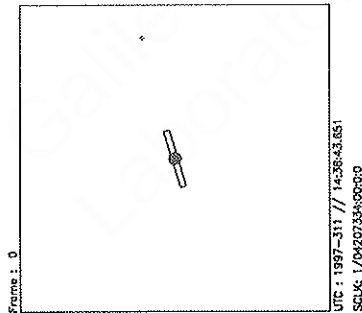
CDS	RIM	COMMAND	PARAMETERS	PSID
0	000	COMMENT	UVS RIM 0	(384CN)
28	003+UVFLUSH	DISCRD,UVS		(349DP)
38	003	CMDRS		(157CU)
	004	1	34UVS,D7,F,N,N,N,S,0, ON,OFF,OFF, ON,OFF,NOOVR,1,D0,5D,00,00	
	027	24	34UVS,C1,F,N,N,N,S,0,OFF,OFF, ON,OFF,OFF,NOOVR,1,2C,05,00,00	
54	004	TARGET	with TMC on body	(165CP)
28	026+UVFLUSH	PACKET,UVS		(349DQ)



Start UTC_TIME : 1997-311 // 13:25:55.654
End UTC_TIME : 1997-311 // 13:49:10.986
Start SCLK : 1/04207262:00:00
Delta Time between FOV : 174.0000
FOVs : F Channel(0.1x0.4), N/G Channel(0.1x1.0)

Target Body : GANYMEDE
Target Ra/Dec : 355.19 / -1.46 Deg
S/C to Body Center : 1546495. Km (587.12781 Rg)
Z-axis Pointing (Ra / Dec) : 137.25 / 19.00 Deg

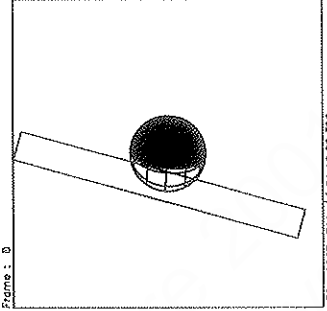
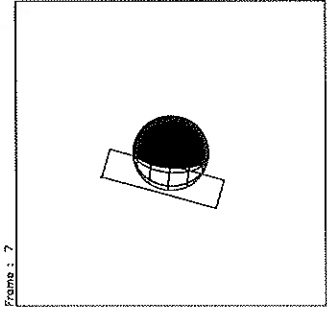
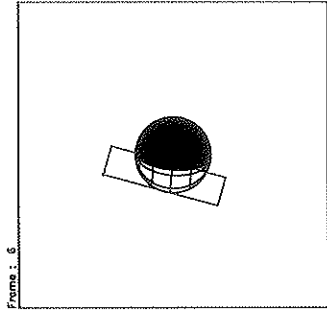
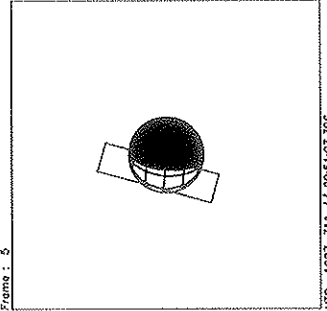
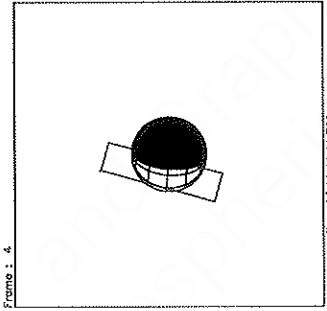
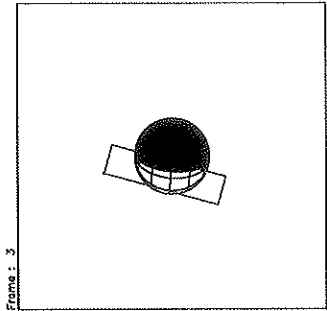
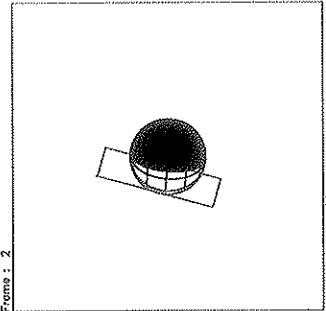
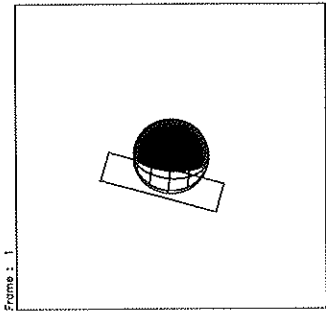
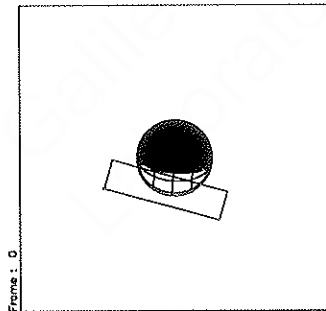
Activity ID: Orbit 11		OAPEL GUGADARK		SeqNo 02-	
Title		UVS Ganymede Eclipse observation 2		Instrument UVS	
Requestor		UVS-SWG/W. SWEET X30523		Team UVS	
				Working Group SWG	
Time System CDS		Load ID 11A		Calendar Date 11/07/97	
				Week 45	
Start		JEE+CDS 00000824:00:0		97-311/14:34:45.999	
				JEE+000/13:53:09.333	
End		JEE+CDS 00000868:00:0		97-311/15:19:15.332	
				JEE+000/14:37:38.666	
Duration		00000044:00:0		000/00:44:29.333	
				000/00:44:29.333	
Top Label		11GUGADARK02-			
Bottom Label		(real-time)			
Plot Key		UVS		Type SCI	
CDS Bytes		120		Report Options BOTH	
				Scan Platform Yes	
CDS Source		OAP		Spin State DUAL	
				DMS No	
Observation Objective					
<div style="display: flex;"> <div style="border: 1px solid black; width: 200px; height: 150px; margin-right: 10px;"></div> <div> <p>11GUGADARK02- observation. Observe Ganymede in total eclipse. Target with TMC.</p> <p>UVS configuration: 1356-1356Å G/G 16-step mini-scan Rj = 12.3</p> <p>MBTG = 1 flush * 17712 bits/flush = 0.018</p> </div> </div>					
Design Detail					
CDS	RIM	COMMAND	PARAMETERS	PSID	
0	000	COMMENT	UVS RIM 0	(384C0)	
0	003	+UVFLUSH	DISCRD,UVS <--Omitted to save bytes		
38	003	CMDS		(157CV)	
	004	1	34UVS,D1,F,N,N,N,S,0,OFF,OFF,	ON, ON,OFF,NOOVR,1,B6,45,00,00	
	044	41	34UVS,C1,F,N,N,N,S,0,OFF,OFF,	ON,OFF,OFF,NOOVR,1,2C,05,00,00	
54	004	TARGET	with TMC on body	(165CQ)	
28	043	+UVFLUSH	PACKET,UVS	(349DS)	



Start UTC_TIME : 1997-311 // 14:38:43.651
End UTC_TIME : 1997-311 // 15:19:10.316
Start SCLK : 1/04207334:00:0:0
Delta Time between FOV : 303.0000
FOVs : F Channel(0.1x0.4), N/G Channel(0.1x1.0)

Target Body : GANYMEDE
Target Ra/Dec : 358.79 / 0.25 Deg
S/C to Body Center : 1556809. Km (591.04361 Rg)
Z-axis Pointing (Ra / Dec) : 137.25 / 19.00 Deg

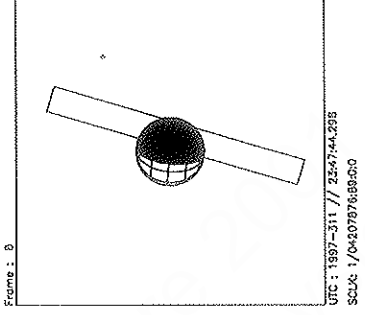
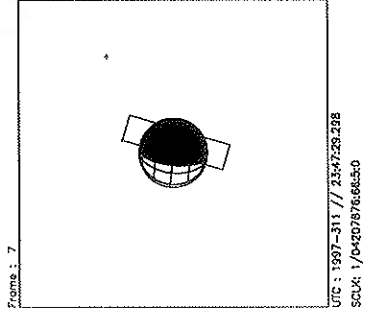
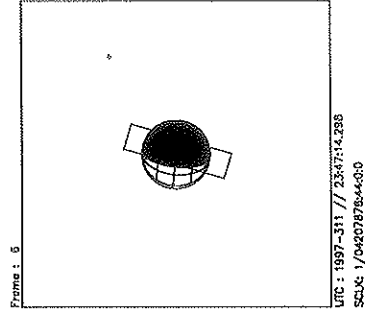
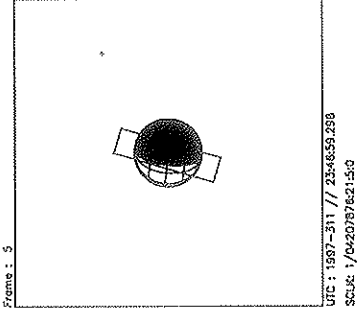
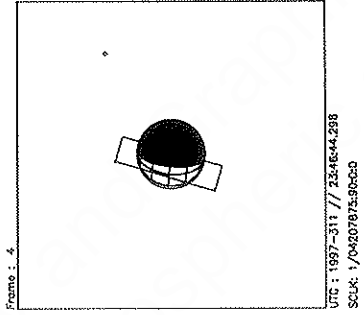
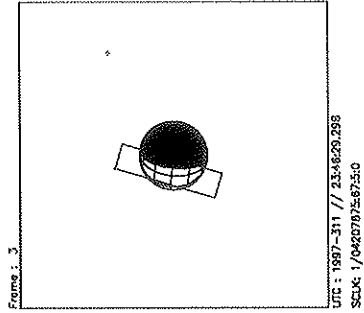
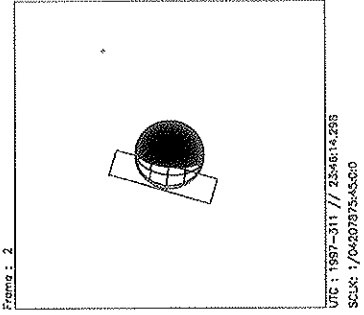
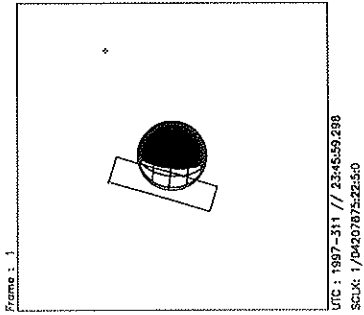
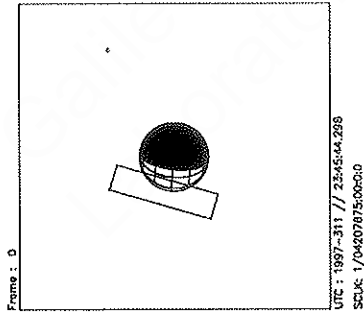
Activity ID: Orbit 11		CAPEL IUPHAS11		SeqNo 31-	
Title	UVS Io Phase 113			Instrument	UVS
Requestor	UVS-SWG/W. SWEET X30523	Team	UVS	Working Group	SWG
Time System	CDS	Load ID	11A	Calendar Date	11/07/97
				Week	45
Start	IEE-CDS 00000205:00:0		97-311/20:18:32.600		IEE-000/03:27:16.666
End	IEE-CDS 00000154:00:0		97-311/21:10:06.600		IEE-000/02:35:42.666
Duration	00000051:00:0		000/00:51:34.000		000/00:51:34.000
Top Label	11IUPHAS1131-				
Bottom Label	(real-time)				
Plot Key	UVS	Type	SCI		
CDS Bytes	148	Report Options	BOTH	Scan Platform	Yes
CDS Source	OAP	Spin State	DUAL	DMS	No
Observation Objective					
	11IUPHAS1131- observation. Observe Io at ~112° longitude and ~113° phase angle.				
	Target with TMC on lit portion of Io.				
	UVS configuration: F/F full scans Rj = 14.5				
	MBTG = 1 flush * 17712 bits/flush = 0.018				
Design Detail					
CDS RIM	COMMAND	PARAMETERS		PSID	
0	000	COMMENT	UVS RIM 0	(384CP)	
28	000+UVFLUSH	DISCRD,UVS		(349DT)	
38	000	CMDRS		(157CW)	
	001	1	34UVS,07,S,N,N,N,S,0, ON,OFF,OFF, ON,OFF,NOOVR,1,00,9C,00,00		
	051	51	34UVS,C1,F,N,N,N,S,0,OFF,OFF, ON,OFF,OFF,NOOVR,1,2C,05,00,00		
54	001	TARGET	with TMC on body	(165CR)	
28	050+UVFLUSH	PACKET,UVS		(349DU)	



Start UTC_TIME : 1997-311 // 20:19:28.306
End UTC_TIME : 1997-311 // 21:10:01.637
Start SCLK : 1/0420767100000
Delta Time between FOV : 379.0000
FOVs : F Channel(0.1x0.4), N/G Channel(0.1x1.0)

Target Body : IO
Target Ro/Dec : 76.49 / 24.99 Deg
S/C to Body Center : 822592.6 Km (450.89627 Ri)
Z-axis Pointing (Ro / Dec) : 137.25 / 19.00 Deg

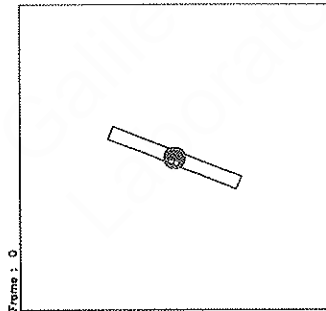
Activity ID:	Orbit 11	OAPEL	IUHRSPEC	SeqNo	01+																				
Title	UVS r/a w/ NIMS Io High Spectral Resolut			Instrument	UVS																				
Requestor	UVS-SWG/W. SWEET X30523	Team	UVS	Working Group	SWG																				
Time System	CDS	Load ID	11A	Calendar Date	11/07/97																				
				Week	45																				
Start	IEE-CDS 00000004:00:0		97-311/23:41:46.600		IEE-000/00:04:02.666																				
End	IEE+CDS 00000002:00:0		97-311/23:47:50.599		IEE+000/00:02:01.333																				
Duration	00000006:00:0		000/00:06:03.999		000/00:06:03.999																				
Top Label	11IUHRSPEC01+																								
Bottom Label	(ride-along)																								
Plot Key	UVS	Type	SCI																						
CDS Bytes	38	Report Options	BOTH																						
CDS Source	OAP	Spin State	DUAL																						
			Scan Platform	No																					
			DMS	No																					
Observation Objective																									
<div style="border: 1px solid black; padding: 5px;"> <p>11IUHRSPEC01+: Ride-along with the NIMS 11IUHRSPEC01 observation to observe Io in the 1600Å to 3200Å wavelength regions at phase angles not obtainable from the Earth. Data will supplement and complement the NIMS surface property measurements.</p> <p>Rj = 16.2 UVS configuration: F/F full scans</p> <p>MBTG = (1008 bits/sec) * (180 sec) /1.5 (compression) = 0.121</p> </div>																									
Design Detail																									
<table border="0"> <tr> <td>CDS</td> <td>RIM</td> <td>COMMAND</td> <td>PARAMETERS</td> <td>PSID</td> </tr> <tr> <td>38</td> <td>000</td> <td>CMDRS</td> <td></td> <td>{157CX}</td> </tr> <tr> <td></td> <td>001</td> <td>1</td> <td>34UVS,07,S,N,N,N,S,0, ON,OFF,OFF, ON,OFF,NOOVR,1,00,9C,00,00</td> <td></td> </tr> <tr> <td></td> <td>006</td> <td>6</td> <td>34UVS,C1,F,N,N,N,S,0,OFF,OFF, ON,OFF,OFF,NOOVR,1,2C,05,00,00</td> <td></td> </tr> </table>						CDS	RIM	COMMAND	PARAMETERS	PSID	38	000	CMDRS		{157CX}		001	1	34UVS,07,S,N,N,N,S,0, ON,OFF,OFF, ON,OFF,NOOVR,1,00,9C,00,00			006	6	34UVS,C1,F,N,N,N,S,0,OFF,OFF, ON,OFF,OFF,NOOVR,1,2C,05,00,00	
CDS	RIM	COMMAND	PARAMETERS	PSID																					
38	000	CMDRS		{157CX}																					
	001	1	34UVS,07,S,N,N,N,S,0, ON,OFF,OFF, ON,OFF,NOOVR,1,00,9C,00,00																						
	006	6	34UVS,C1,F,N,N,N,S,0,OFF,OFF, ON,OFF,OFF,NOOVR,1,2C,05,00,00																						



Start UTC_TIME : 1997-311 // 23:45:44.298
End UTC_TIME : 1997-311 // 23:47:45.632
Start SCLK : 1/04207875000:0
Delta Time between FOV : 15.00000
FOVs : F Channel(0.1x0.4), N/G Channel(0.1x1.0)

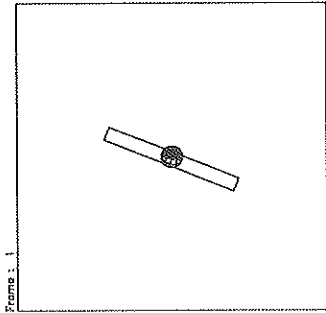
Target Body : IO
Target Ra/Dec : 74.23 / 24.72 Deg
S/C to Body Center : 792739.8 Km (434.53274 Ri)
Z-axis Pointing (Ra / Dec) : 137.25 / 19.00 Deg

Activity ID: Orbit 11		OAPEL IUIODARK		SeqNo 01-	
Title UVS Io Eclipse		Instrument UVS			
Requestor UVS-SWG/W. SWEET X30523		Team UVS		Working Group SWG	
Time System CDS	Load ID 11A	Calendar Date 11/08/97	Week 45		
Start IEE+CDS 00000713:00:0	97-312/11:46:44.599	IEE+000/12:00:55.333			
End IEE+CDS 00000767:00:0	97-312/12:41:20.599	IEE+000/12:55:31.333			
Duration 00000054:00:0	000/00:54:36.000	000/00:54:36.000			
Top Label 11IUIODARK01-					
Bottom Label (real-time)					
Plot Key UVS	Type SCI				
CDS Bytes 148	Report Options BOTH	Scan Platform Yes			
CDS Source OAP	Spin State DUAL	DMS No			
Observation Objective					
<div style="border: 1px solid black; padding: 5px; width: 200px; height: 150px; display: inline-block; vertical-align: top;"> </div> <p>11IUIODARK01- observation. Observe Io in eclipse at ~256° longitude and ~100° phase angle. Target with TMC.</p> <p>UVS configuration: 1356-1479 Å G/G 22-step mini-scans Rj = 21.2</p> <p>MBTG = 1 flush * 17712 bits/flush = 0.018</p>					
Design Detail					
CDS	RIM	COMMAND	PARAMETERS	PSID	
0	000	COMMENT	UVS RIM 0	(384CQ)	
28	002+UVFLUSH	DISCRD,UVS		(349DV)	
38	002	CMDRS		(157CY)	
	003	1	34UVS,D3,F,N,N,N,S,0,OFF,OFF,	ON, ON,OFF,NOOVR,1,B3,4D,00,51	
	054	52	34UVS,C1,F,N,N,N,S,0,OFF,OFF,	ON,OFF,OFF,NOOVR,1,2C,05,00,00	
54	003	TARGET	with TMC on body	(165CS)	
28	053+UVFLUSH	PACKET,UVS		(349DW)	



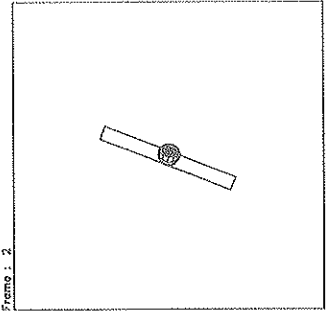
Frame : 0

UTC : 1997-312 // 11:49:41.606
SCLK: 1/04208591000:0



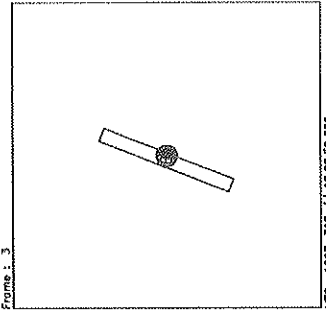
Frame : 1

UTC : 1997-312 // 11:56:07.606
SCLK: 1/04208597330:0



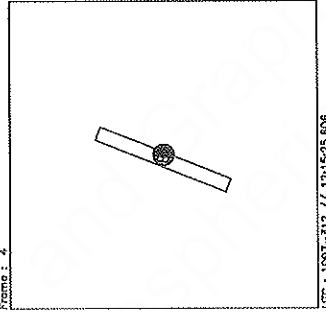
Frame : 2

UTC : 1997-312 // 12:02:33.606
SCLK: 1/04208603660:0



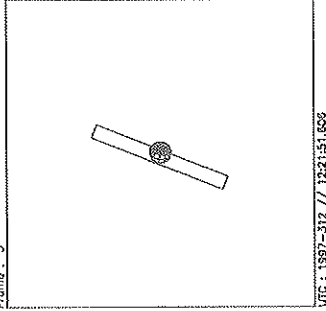
Frame : 3

UTC : 1997-312 // 12:08:59.606
SCLK: 1/04208610080:0



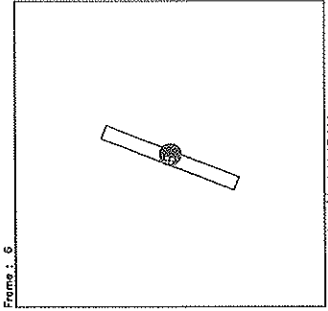
Frame : 4

UTC : 1997-312 // 12:15:25.606
SCLK: 1/04208618410:0



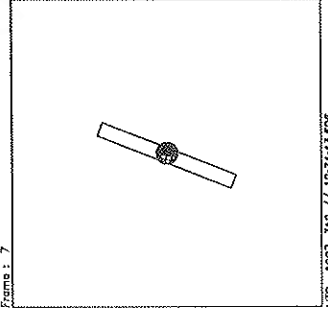
Frame : 5

UTC : 1997-312 // 12:21:51.606
SCLK: 1/04208622740:0



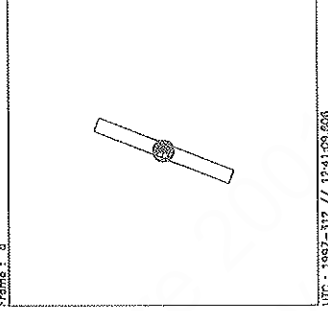
Frame : 6

UTC : 1997-312 // 12:28:17.606
SCLK: 1/04208629160:0



Frame : 7

UTC : 1997-312 // 12:34:43.606
SCLK: 1/04208635490:0



Frame : 8

UTC : 1997-312 // 12:41:09.606
SCLK: 1/04208641820:0

Start UTC.TIME : 1997-312 // 11:49:41.606
 End UTC.TIME : 1997-312 // 12:41:15.604
 Start SCLK : 1/04208591000:0
 Delta Time between FOV : 386.0000
 FOVs : F Channel(0.1x0.4), N/G Channel(0.1x1.0)

Target Body : IC
 Target Ra/Dec : 62.01 / 23.01 Deg
 S/C to Body Center : 1363318. Km (747.28967 Ri)
 Z-axis Pointing (Ra / Dec) : 137.25 / 19.00 Deg