

```
("32HVSKYBKG01-" OAPEL "EUV"  
(Time "LDA+CDS 69800:00:0" "LDA+CDS 127800:00:0" (Duration "58000:00:0"))  
(ID "32HVSKYBKG01-")  
(REQUESTOR "EUV-MWG/W. KENT TOBISKA 3-7742")  
(TEAM "EUV")  
(INSTRUMENT "EUV")  
(LOAD "32B")  
(WORKGROUP "MWG")  
(PLOTKEY "EUV")  
(RIDING "")  
(TITLE "Sky background measurements")  
(OBJECTIVE "Study solar variation in IP hydrogen and helium.
```

EUV sky background configuration.

41 manual flushes, once every day (41 days).

BTG=0.726 MBTG

TICS=0 tics

FMT=NONE

```
CDS=3176")  
(DESIGN "PSID CDS RIM COMMAND PARAMETERS  
384BA 00 00:00 COMMNT EUV RIM 0  
2000 EUVON  
28 UVFLSH DISCRD,EUV  
1148 UVFLSH PACKET,EUV (41)")  
(CDSCOST 2476)  
(TOPLABEL "32HVSKYBKG01-")  
(BOTLABEL "")  
(PS "")  
(TYPE SCI)  
(RPT BOTH)  
(TIMESYS CDS)  
(SPINSTAT ALL)  
(SPINUSE ALL No)  
(SCANPLAT N)  
(DMS N)  
(CDS_SOURCE OAP)  
(USESCAN 1)  
(USEREC 1)  
(TEMPLATE "")
```

```
("32HVTORJUP01-" OAPEL "EUV"  
(Time "LDA+CDS 127800:00:0" "LDA+CDS 132120:00:0" (Duration "4320:00:0"))  
(ID "32HVTORJUP01-")  
(REQUESTOR "EUV-MWG/W. KENT TOBISKA 3-7742")  
(TEAM "EUV")  
(INSTRUMENT "EUV")  
(LOAD "32B")  
(WORKGROUP "MWG")  
(PLOTKEY "EUV")  
(RIDING "")  
(TITLE "Io torus and Jupiter aurora")  
(OBJECTIVE "Io torus and Jupiter aurora morphology.
```

EUV torus and Jupiter aurora configurations.

72 CDS flushes, once every hour using format C and EUV SEL.

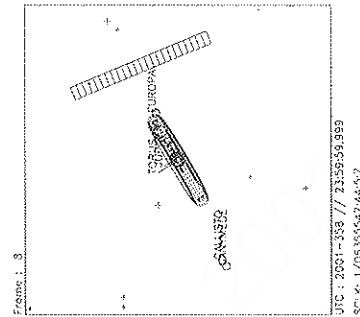
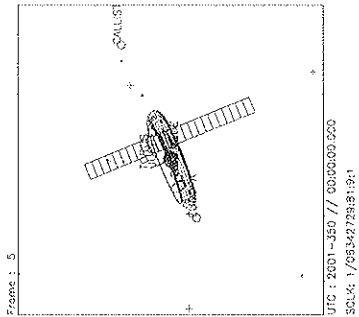
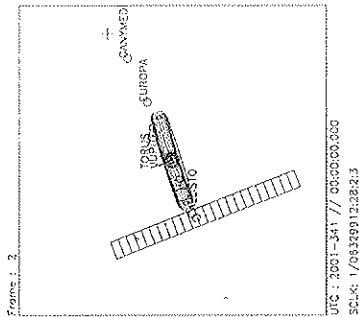
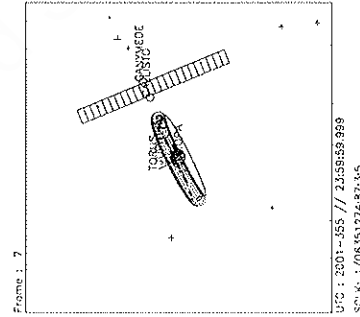
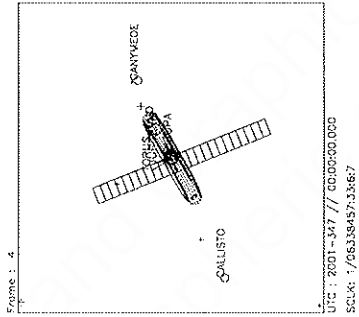
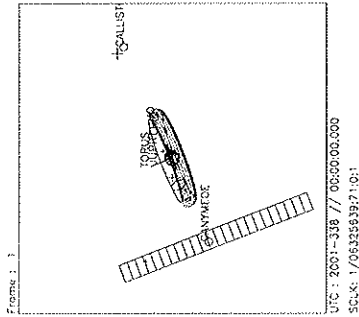
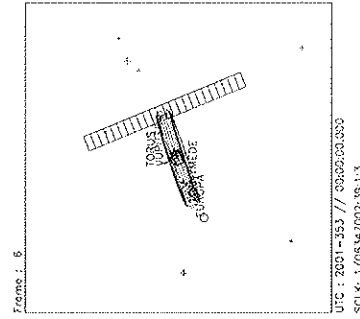
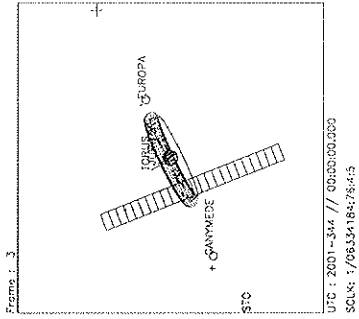
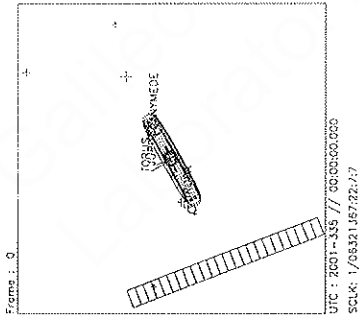
BTG=1.275 MBTG

TICS=0 tics

FMT=NONE

```
CDS=879")
  (DESIGN "PSID CDS RIM COMMAND PARAMETERS
384BG 00 00:00 COMMNT EUV RIM 0
      15 OPTRTM EUV FORMAT C
      200 LOAD TORUS FPNT
      28 UVFLSH DISCRD,EUV
      200 LOAD AURORA FPNT
      28 UVFLSH DISCRD,EUV
      200 LOAD TORUS FPNT
      28 UVFLSH DISCRD,EUV
      180 EUVOFF")
(CDSCOST 879)
(TOPLABEL "32HV/TORJUP01-")
(BOTLABEL "realtime")
(PS "")
(TYPE SCI)
(RPT BOTH)
(TIMESYS CDS)
(SPINSTAT DUAL)
(SPINUSE DUAL No)
(SCANPLAT N)
(DMS N)
(CDS_SOURCE OAP)
(USESCAN 1)
(USEREC 0)
(TEMPLATE "")
```

Galileo Geometry and Graphics Software 2001  
Laboratory for Atmospheric and Space Physics



Start UTC\_TIME : 2001-335 // 00:00:00.000  
No End Time :  
Start SCLK : 1/06321367:22:7:7

Target Body : JUPITER  
Target Ra/Dec : 155.44 / 10.07 Deg  
S/C to Body Center : 1.098988E+07 Km ( 153.72182 Rj )  
Z-axis Pointing ( Ra / Dec ) : 247.50 / -21.50 Deg