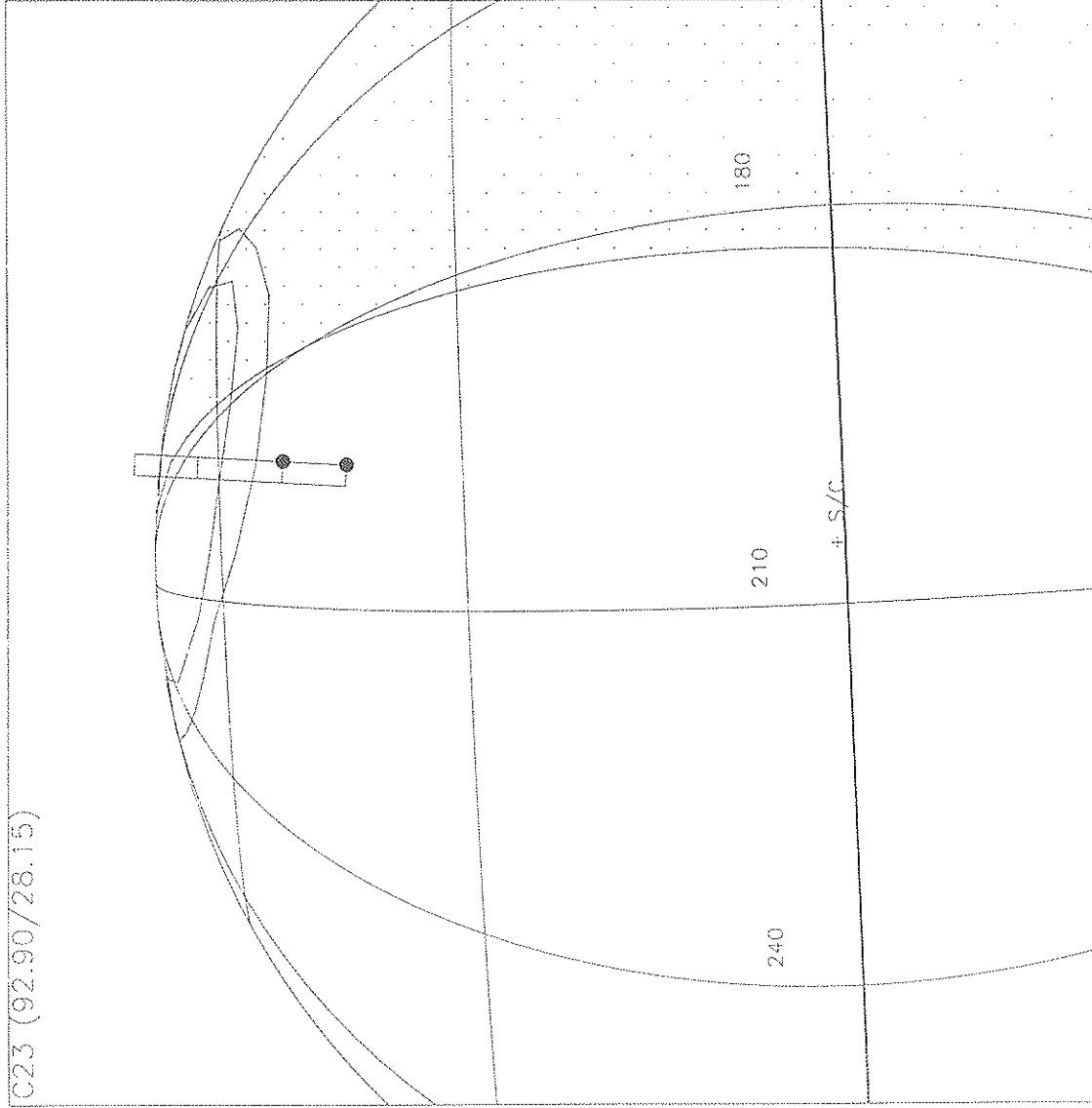


Activity ID: Orbit 23		OAPEL JUAURORA		SeqNo _N-	
Title	Aurora north	Instrument	UVS		
Requestor	UVS-AWG/W. KENT TOBISKA	Team	UVS	Working Group	AWG
Time System	CDS	Load ID	23A	Calendar Date	09/15/99 Week 89
Start	JEE+CDS 00001367:00:0		99-258/19:00:04.733		JEE+000/23:02:11.333
End	JEE+CDS 00001431:00:0		99-258/20:04:47.400		JEE+001/00:06:54.000
Duration	00000064:00:0		000/01:04:42.667		000/01:04:42.667
Top Label	23JUAURORA_N-				
Bottom Label	realtime				
Plot Key	UVS	Type	SCI		
CDS Bytes	248	Report Options	BOTH	Scan Platform	Yes
CDS Source	OAP	Spin State	DUAL	DMS	No
Observation Objective					
<p>Northern Jupiter aurora observations of Lyman-a and H2 emissions at the 190 and 208 (N) longitude. We will attempt to capture the Io fluxtube footprint (IFP) and any fluxtube that maps from Europa to Jupiter to understand long-term magnetosphere and Jovian upper atmosphere interaction. This is a realtime observation for 1 hour using G/G Ly-alpha miniscans at a distance from Jupiter = 16.5 Rj.</p> <p>GEM Objective Phase 1 - Magnetospheric interactions Phase 2 - none Phase 3 - none</p>					
Design Detail					
PSID	CDS	RIM	COMMAND PARAMETERS		
384AA	00	00:00	COMMT UVS RIM 0		
176AA	18	-3:00	SCITLM PPB		
157AA	38	03:00	CMDRS PLAN_DUR = 61 RIMS; EST_UVS_CMDS = 2 (34UVS)		
		04:00	1 UVG:DF, FIXED, NORM, NORM, NORM, SAME, 0, OFF, OFF, ON, ON, OFF, NOOVR, 1, 2C, 7D, 00, 2C		
		64:00	61 OFF: 07, SCAN, NORM, NORM, NORM, SAME, 0, ON, OFF, OFF, OFF, OFF, NOOVR, 1, 00, 9C, 00, 00		
349AA	28	03:69	UVFLSH DISCRD, UVS		
165AA	27	04:00	TARGET Lat/Lon = 60/190 (RA/Dec = 92.91/28.15)		
207B	00	05:00	UTIL0113 SCANTYPE 3		
176AB	18	07:00	SCITLM RPB		
176AC	18	28:00	SCITLM PPB		
349AB	28	33:69	UVFLSH PACKET, UVS (1)		
165AB	27	35:00	TARGET Lat/Lon = 60/208 (RA/Dec = 93.82/28.07)		
207D	00	36:00	UTIL0113 SCANTYPE 3		
176AD	18	38:00	SCITLM RPB		
349AC	28	63:69	UVFLSH PACKET, UVS (2)		

Wed Dec 1 17:28:20 1999

C23 (92.90/28.15)



Start UTC_TIME : 1999-253 // 19:00:08.733

No End Time :

Start_SCLK : 1/051/1760:12:17

Target Body : JUPITER

Target Ra/Dec : 93.34 / 25.27 Deg

S/C to Body Center : 1169644 Km (16.360492 Rj)

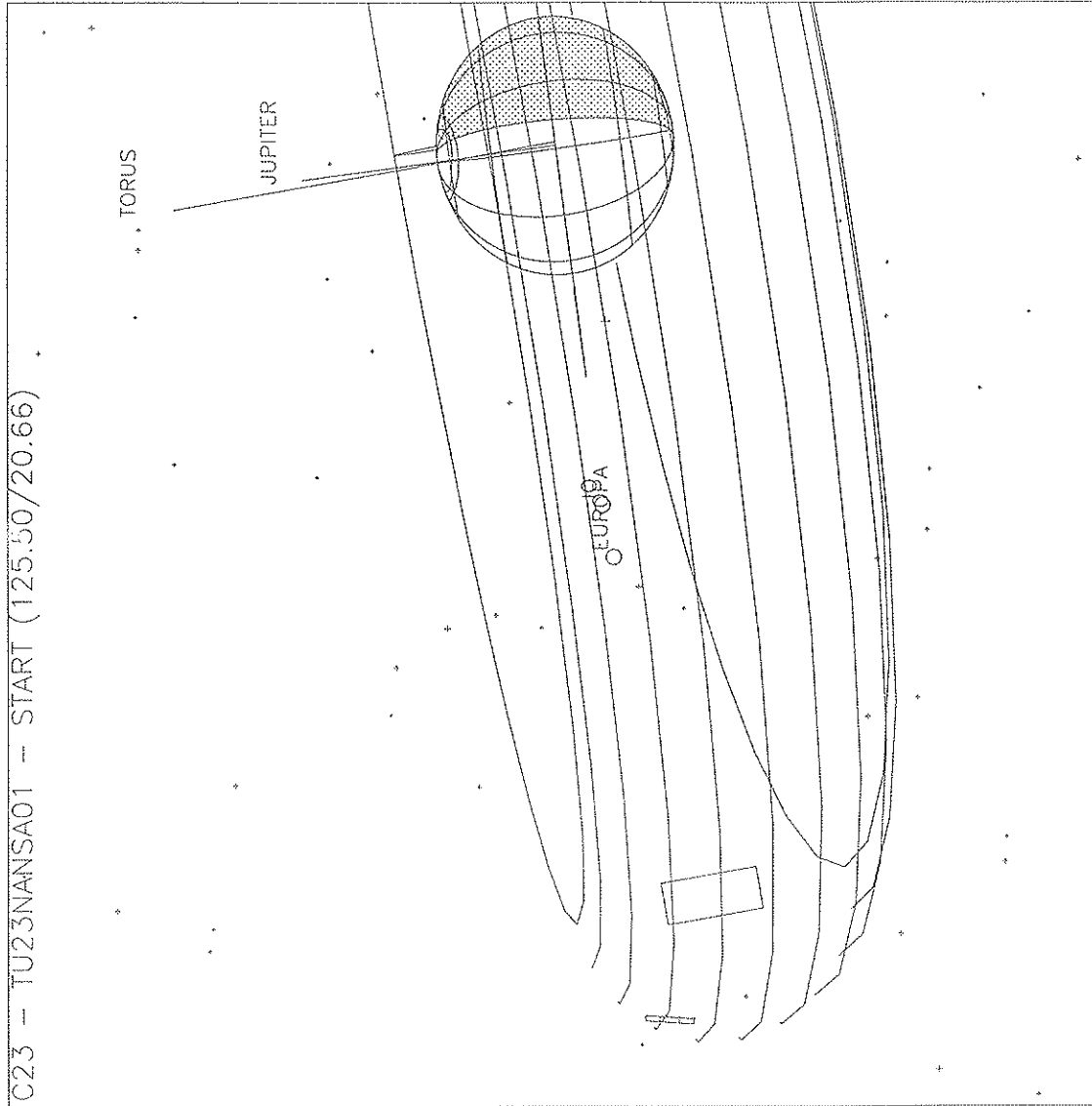
Z-axis Pointing (Ra / Dec) : 211.19 / -11.27 Deg

UVS/EUV IO TORUS NOON ANSA, C23 OUTBOUND ACTIVITY ID: 23TU23NANS01-
 START TIME: 99-259/04:29:20.066

Activity ID:	Orbit 23	OAPEL TU23NANS	SeqNo	01-			
Title	UVS/EUV IO TORUS NOON ANSA, C23 OUTBOUND		Instrument	UVS			
Requestor	UVS-MWG/S.STEPHENS	Team	UVS	Working Group	MWG		
Time System	CDS	Load ID	23A	Calendar Date	09/16/99	Week	90
Start	JEE+CDS 00001930:00:0		99-259/04:29:20.066		JEE+001/08:31:26.666		
End	JEE+CDS 00002312:00:0		99-259/10:55:34.733		JEE+001/14:57:41.333		
Duration	00000382:00:0		000/06:26:14.667		000/06:26:14.667		
Top Label	23TU23NANS01-						
Bottom Label	(UVS/EUV RTS Io Torus)						
Plot Key	UVS	Type	SCI				
CDS Bytes	101	Report Options	BOTH	Scan Platform	Yes		
CDS Source	OAP	Spin State	DUAL	DMS	No		
Observation Objective							
<div style="border: 1px solid black; width: 150px; height: 100px; display: inline-block; vertical-align: top; margin-right: 10px;"></div> <p>UVS MAP OF IO TORUS NOON ANSA, C23 OUTBOUND: From: +6.42 to 5.17 Rj IEE+CDS 1945-2305</p> <p>UVFLUSH STRATEGY (17,712 bits per UVS or EUV PACKET; data rate 4.87 bps UVS): UVS/EUV deselected; 60-RIM UVFLUSHes needed to PACKET BOTH after initial DISCRDs. Total bits: 6 UVS = 0.106</p> <p>Rj=20.9-23.5</p> <p>WAVELENGTHS (Angstroms): Emission lines: UVS (H 1215, S+ 1259, S+ 4070), 2POSN-22STEP N/G MINISCAN: N 4040.9-4098.7 (CTR 4071.2, STEP 436) [EVEN FRAMES], G 1239.8-1272.1 (CTR 1255.7, STEP 81) [ODD FRAMES].</p>							
Design Detail							
PSID	RIM:mF	CDS	PA				
176BA	08	18	SCITLM PPB				
157EA	14	38	CMDRS (10+14*2) [PLAN DUR 361, EST UVS CMDS 2]				
165EA	15	27	TARGET [CONE 90.00, CLOCK 282.30] (RA/Dec=125.50/20.66)				
	15	(1)	34UVS.D3.F,N,N,N.S.O.OFF,ON,ON,ON,OFF,NO.1,DS,4E,05,63 [22STEP N/G]				
	375	(361)	34UVS.07.S,N,N,N.S.O.ON,OFF,OFF,OFF,OFF,NO.1,00,9C,00,00 [HV OFF]				
20EB	16	00	SCANTYPE 3 UTIL0113				
176BA	18	18	SCITLM RPB				

Fri Jul 30 21:58:26 1999

C23 - TU23NANSA01 - START (125.50/20.66)

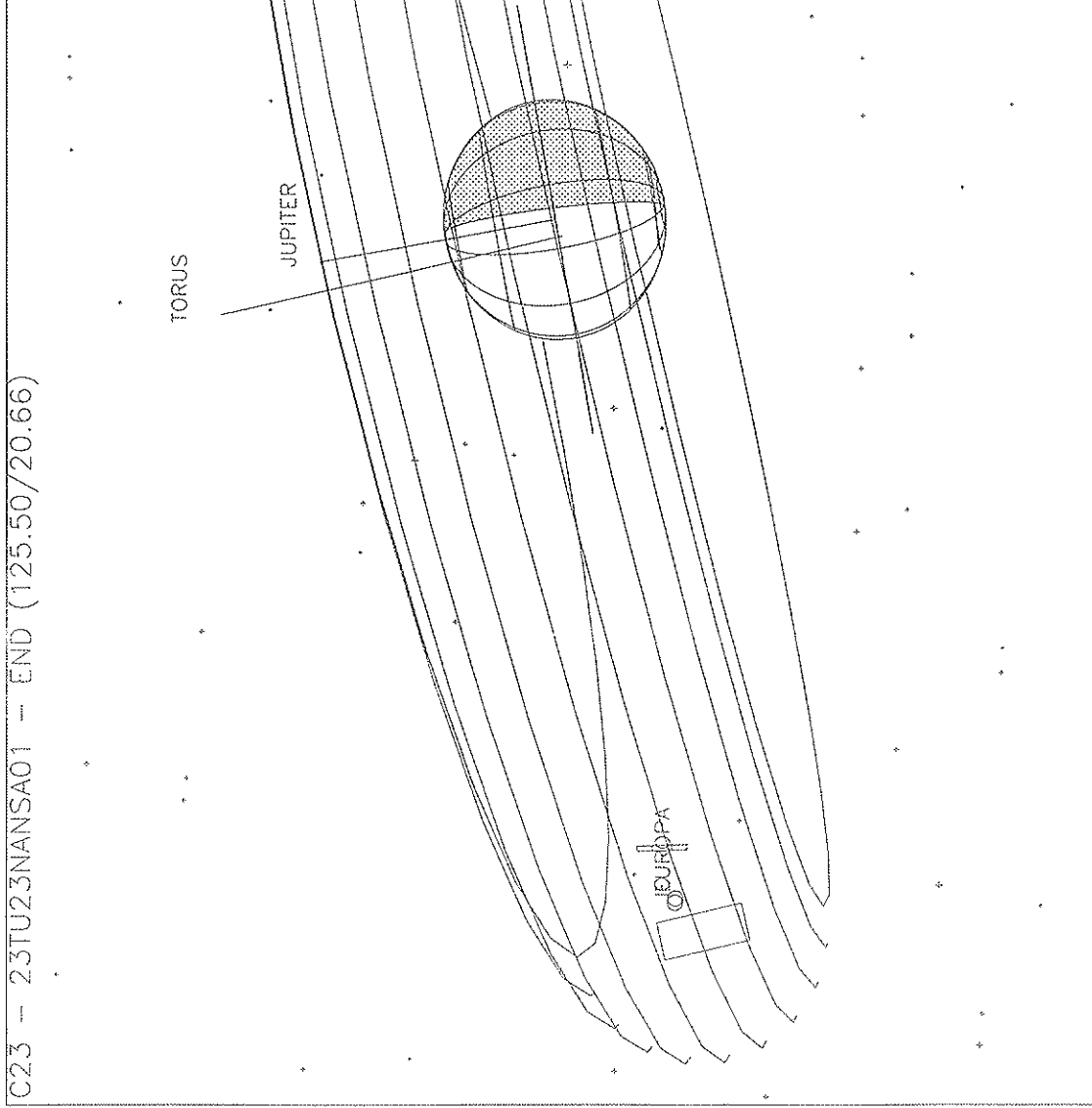


Start UTC_TIME : 1999--259 // 04:29:20.066
No End Time :
Start SCLK : 1/05172323:08:0:2

Target Body : JUPITER
Target Ro/Dec : 106.20/ 24.24 Deg
S/C to Body Center : 1486902. Km (20.798164 Rj)
Z-axis Pointing (Ro / Dec) : 211.19 / -11.27 Deg

Fri Jul 30 22:00:22 1999

C23 - 23TU23NANSA01 - END (125.50/20.66)



Start UTC_TIME : 1999-259 // 10:55:34.733
No End Time :
Start SCLK : 1/05172705:08:0:4

Target Body : JUPITER
Target Ra/Dec : 112.17 / 23.38 Deg
S/C to Body Center : 1686190. Km (23.585712 Rj)
Z-axis Pointing (Ra / Dec) : 211.19 / -11.27 Deg