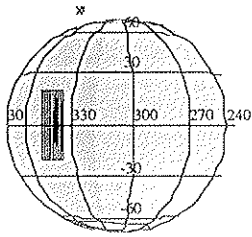


<b>Activity ID:</b>	Orbit E6	<b>OAPEL</b> JUDRKMAP	<b>SeqNo</b>	01-		
<b>Title</b>	Darkside Map		<b>Instrument</b>	UVS		
<b>Requestor</b>	UVS-AWG/W. KENTTOBISKA	<b>Team</b>	UVS	<b>Working Group</b>	AWG	
<b>Time System</b>	CDS	<b>Load ID</b>	<b>Calendar Date</b>	02/18/97	<b>Week</b>	8
<b>Start</b>	JEE-CDS 2794:00:0		97-049/21:47:49.934	JEE-001/23:05:02.666		
<b>End</b>	JEE-CDS 2610:00:0		97-050/00:53:52.600	JEE-001/19:59:00.000		
<b>Duration</b>	00000184:00:0		000/03:06:02.666	000/03:06:02.666		
<b>Top Label</b>	E6JUDRKMAP01-					
<b>Bottom Label</b>	realtime					
<b>Plot Key</b>	UVS	<b>Type</b>	SCI			
<b>CDS Bytes</b>	371	<b>Report Options</b>	BOTH	<b>Scan Platform</b>	Yes	
<b>CDS Source</b>	OAP	<b>Spin State</b>	DUAL	<b>DMS</b>	No	
<b>Observation Objective</b>						
<div style="display: flex; align-items: flex-start;"> <div style="border: 1px solid black; width: 200px; height: 150px; margin-right: 20px;"></div> <div> <p>Global mapping of darkside equatorial H Ly-a.</p> <p>Realtime observation at 10 bps for 3.0 hours; G/G Ly-a 88 step 2 position miniscan. 10 RIMS UVS OFF/FIXED every 30 RIMS for PWS. Expect RTSFMT = F. Distance from Jupiter = 26 Rj.</p> <p>Last cn/ck = TBD.</p> </div> </div>						
<b>Design Detail</b>						
<pre> PSID  CDS  RIM  COMMAND  PARAMETERS 384AA  00  00  COMMNT  UVS RIM 0  61AA  28  02+LOOPER  DUR = 30 RIMS; REPEAT = 6 349AA  28  03+UVFLSH  DISCRD,UVS 157AA  38  03  CMDRS   PLAN_DUR = 21 RIMS; EST_UVS_CMDS = 2       04      1 34UVS/UVG:DF, FIXED, NORM, NORM, NORM, SAME, 0, OFF, OFF, ON, ON, OFF, NOOVR, 1, 2C, 7D, 00, 2C       24      21 34UVS/OFF:C1, FIXED, NORM, NORM, NORM, SAME, 0, OFF, OFF, ON, OFF, OFF, NOOVR, 1, 2C, 05, 00, 00 165AA  36  04  TARGET  Lat/lon = 0/346 (sit and stare - no TMC) (RA/Dec = 222.01/-18.23) 117AA  37  04  CSMOS   1 subcsmos; 5 slews on darkside 349AB  28  23+UVFLSH  PACKET,UVS (1) 349AC  28  53+UVFLSH  PACKET,UVS (2) 349AD  28  83+UVFLSH  PACKET,UVS (3) 349AE  28  113+UVFLSH  PACKET,UVS (4) 349AF  28  143+UVFLSH  PACKET,UVS (5) 165AB  36  154  TARGET  RA/Dec = 229.18/-21.64 to torus background off planet 349AG  28  173+UVFLSH  PACKET,UVS (6)                     </pre>						



165AA:TT= 0 TMC= 1 C= 0.00 XC= 0.00 BS= 0/1326 TC= 1(0 346 )  
 A= 728 pD= 182 SR=17.450 RA50=222.01 DEC50=-18.23 cone= 97.33 clock= 93.83  
 117AA:#SB= 1 OR= 0.010 RR=12.000 BM=F RC= 1 BS= 0/1326  
 1:#s= 5 Cs= 0.00 XCs= 0.00 Cr= 7.00 XCr= 0.00 sD= 5278 rD= 182  
 165AB:TT= 0 TMC= 1 C= 0.00 XC= 0.00 BS= 0/8626 TC= 15(-21.64 229.18 )  
 A= 90 pD= 0 SR=17.450 RA50=229.18 DEC50=-21.64 cone=104.75 clock= 92.40

ESIGN G3.0 kent : 1/21/1997 14:17:15

ILE:P.E6JUDRKMAP01

ENTRAL BODY:JUPITER III

INI:m.E6JUDRKMAP01

.PH:/DATA/NAVIO/T-970109-TOUR.NS

ERIAPSIS:

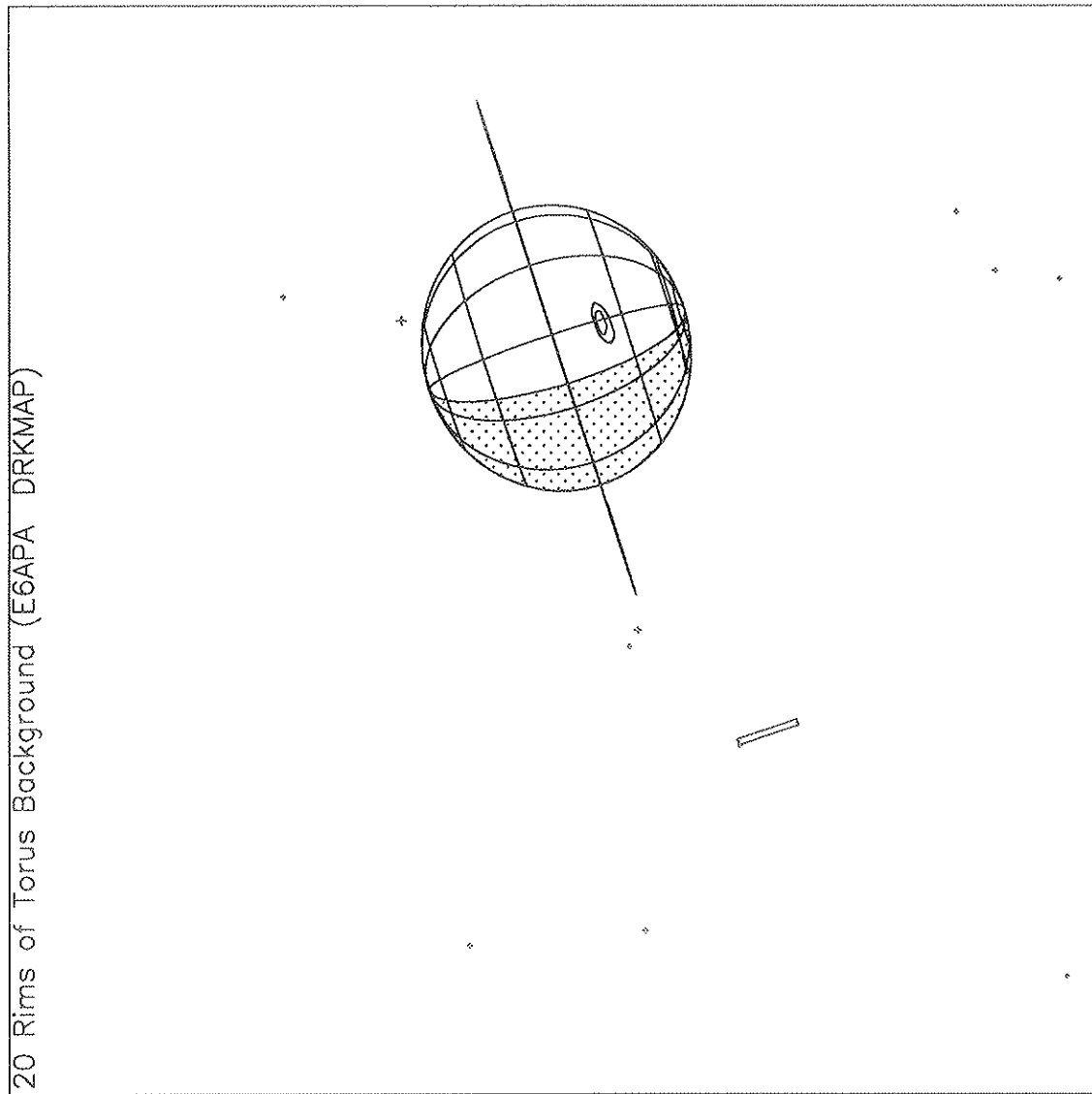
THINNING: :UVS 1

TART:JEE 97-051/20:52:52.600 -CDS 2790:00:0

BODY PLOT TIME:TARGET-TIME D= 0 S= 0.300

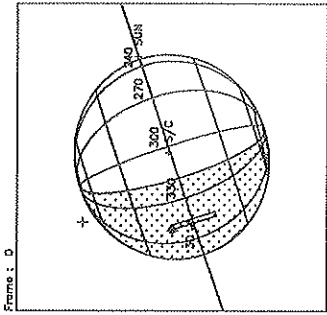
Fri Jun 24 16:35:00 1997

20 Rims of Torus Background (E6APA DRKMAP)

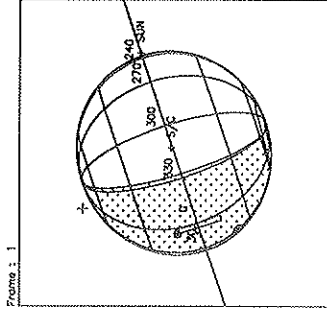


Start UTC\_TIME : 1997-050 // 00:23:28.663  
No End Time :  
Start SCLK : 1/03834778:00:0:0

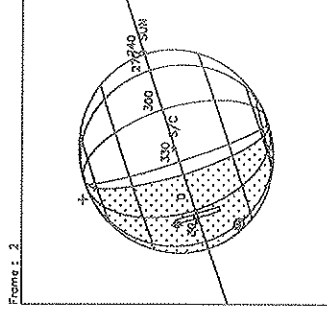
Target Body : JUPITER  
Target Cone/Clock : 97.81 / 93.86 Deg  
S/C to Body Center : 1763153. Km ( 24.662237 Rj )  
Z-axis Pointing ( Ra / Dec ) : 130.30 / 18.80 Deg



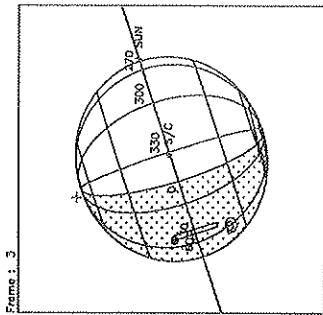
Frame : 0  
 UTC : 1997-049 // 21:51:48.668  
 SCLK : 1/038346280C00



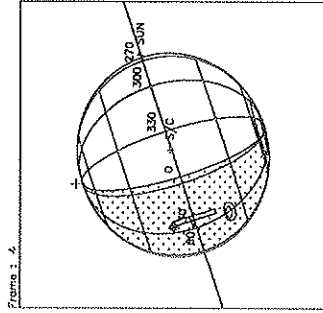
Frame : 1  
 UTC : 1997-049 // 22:07:32.372  
 SCLK : 1/0383464350555



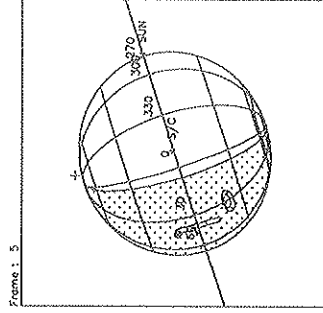
Frame : 2  
 UTC : 1997-049 // 22:22:15.076  
 SCLK : 1/0383465810111



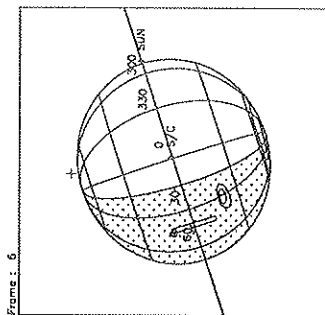
Frame : 3  
 UTC : 1997-049 // 22:38:59.780  
 SCLK : 1/0383467460566



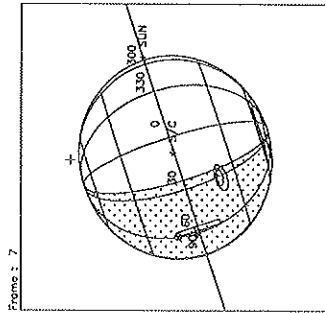
Frame : 4  
 UTC : 1997-049 // 22:54:43.464  
 SCLK : 1/0383469020212



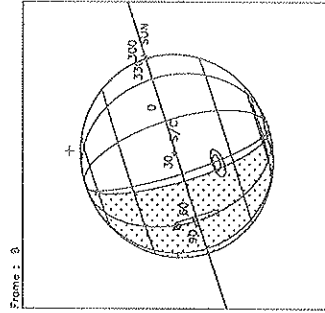
Frame : 5  
 UTC : 1997-049 // 23:10:27.188  
 SCLK : 1/0383470570717



Frame : 6  
 UTC : 1997-049 // 23:26:10.892  
 SCLK : 1/0383472130633



Frame : 7  
 UTC : 1997-049 // 23:41:54.596  
 SCLK : 1/0383473680890

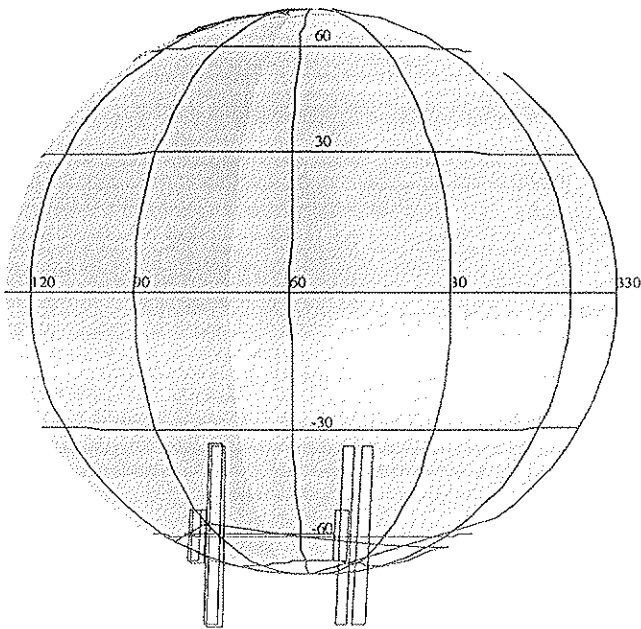


Frame : 8  
 UTC : 1997-049 // 23:57:38.300  
 SCLK : 1/0383475246414

Start UTC\_TIME : 1997-049 // 21:51:48.668  
 End UTC\_TIME : 1997-050 // 00:13:21.998  
 Start SCLK : 1/0383462800000  
 Delta Time between FOV : 943.7040  
 FOVs : N/G Channel(0.5x0.5)

Target Body : JUPITER  
 Target Cone/Clock : 95.86 / 93.86 Deg  
 S/C to Body Center : 1829032. Km ( 25.583727 Ri )  
 Z-axis Pointing ( Ra / Dec ) : 130.30 / 18.80 Deg

<b>Activity ID:</b> Orbit E6		<b>OAPEL</b> JUAURMAP		<b>SeqNo</b> 01-	
<b>Title</b>	Auroral map			<b>Instrument</b>	UVS
<b>Requestor</b>	UVS-AWG/W. KENT TOBISKA		<b>Team</b> UVS	<b>Working Group</b> AWG	
<b>Time System</b>	CDS	<b>Load ID</b>	E6A	<b>Calendar Date</b>	02/19/97 Week 8
<b>Start</b>	JEE-CDS 2610:00:0		97-050/00:53:52.600		JEE-001/19:59:00.000
<b>End</b>	JEE-CDS 2516:00:0		97-050/02:28:55.267		JEE-001/18:23:57.333
<b>Duration</b>	00000094:00:0		000/01:35:02.667		000/01:35:02.667
<b>Top Label</b>	E6JUAURMAP01-				
<b>Bottom Label</b>	realtime				
<b>Plot Key</b>	UVS	<b>Type</b>	SCI		
<b>CDS Bytes</b>	344	<b>Report Options</b>	BOTH	<b>Scan Platform</b>	Yes
<b>CDS Source</b>	OAP	<b>Spin State</b>	DUAL	<b>DMS</b>	No
<b>Observation Objective</b>					
	Southern auroral map of dayside - nightside asymmetry. NIMS rides along for H3+.				
	Realtime observation at 10 bps for 1.5 hours; F/G full-scan on darkside and 2 RIMS F/F full-scan on brightside followed by G/G full-scan. 10 RIMS UVS OFF/FIXED every 30 RIMS for PWS. Expect RTSFMT = F. Distance from Jupiter = 24 Rj.				
	Last cn/ck = TBD.				
<b>Design Detail</b>					
<pre> PSID  CDS  RIM  COMMAND  PARAMETERS 384AB  00  00  COMMNT  UVS RIM  0 349AJ  28  03+UVFLSH  DISCRD,UVS 157AB  66  03  CMDRS   PLAN_DUR = 51 RIMS; EST_UVS_CMDS = 4           04          1 34UVS/UVF: 07, SCAN, NORM, NORM, NORM, SAME, 0, ON, OFF, ON, ON, OFF, NOOVR, 1, 00, 9C, 01, 2C           24          21 34UVS/OFF: C1, FIXED, NORM, NORM, NORM, SAME, 0, OFF, OFF, ON, OFF, OFF, NOOVR, 1, 2C, 05, 00, 00           34          31 34UVS/UVF: 07, SCAN, NORM, NORM, NORM, SAME, 0, ON, OFF, ON, ON, OFF, NOOVR, 1, 00, 9C, 01, 2C           54          51 34UVS/OFF: C1, FIXED, NORM, NORM, NORM, SAME, 0, OFF, OFF, ON, OFF, OFF, NOOVR, 1, 2C, 05, 00, 00 165AC  36  04  TARGET  Lat/lon = -60/100 (sit and stare - no TMC) (RA/Dec = 223.21 -20.56) 117AB  50  04  CSMOS   2 subcsmos; 2 slews during darkside, 1 during brightside 349AK  28  23+UVFLSH  PACKET,UVS (1) 349AL  28  53+UVFLSH  PACKET,UVS (2) 157AC  52  60  CMDRS   PLAN_DUR = 23 RIM; EST_UVS_CMDS = 3           61          1 34UVS/UVF: 07, SCAN, NORM, NORM, NORM, SAME, 0, ON, OFF, OFF, ON, OFF, NOOVR, 1, 00, 9C, 00, 00           63          3 34UVS/UVG: 07, SCAN, NORM, NORM, NORM, SAME, 0, OFF, OFF, ON, ON, OFF, NOOVR, 1, 2C, 9D, 00, 00           </pre>					




---

165AC:TT= 0 TMC= 1 C= 0.00 XC= 0.00 BS= 0/4814 TC= 1(-60 100 )  
 A= 728 pD= 182 SR=17.450 RA50=223.21 DEC50=-20.56 cone= 99.10 clock= 91.91  
 117AB:#SB= 2 OR= 0.010 RR=12.000 BM=F RC= 1 BS= 0/4814  
 1:#s= 2 Cs= 0.00 XCs= 0.00 Cr= 8.00 XCr= 0.00 sD= 4550 rD= 182  
 2:#s= 1 Cs= 0.00 XCs= 0.00 Cr= -13.00 XCr= 0.00 sD= 4186 rD= 364

ESIGN G3.0 kent : 1/21/1997 14:18:16

ILE:P.E6JUAURMAP01

ENTRAL BODY:JUPITER III

INI:m.E6JUAURMAP01

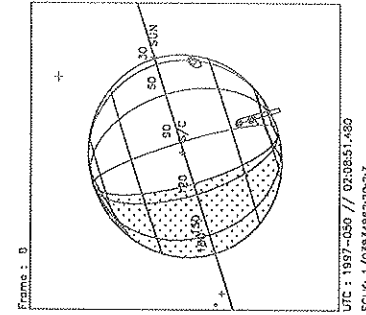
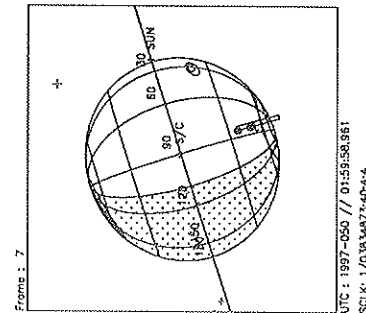
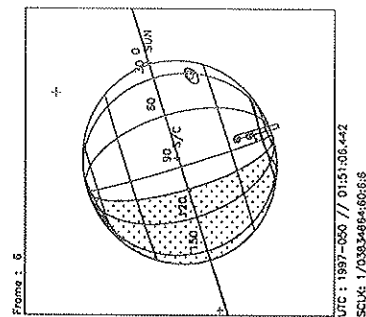
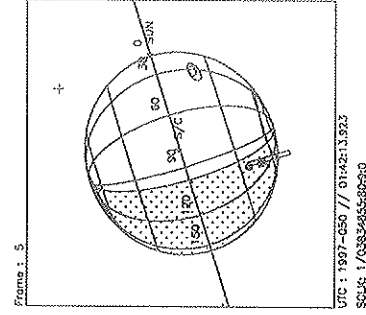
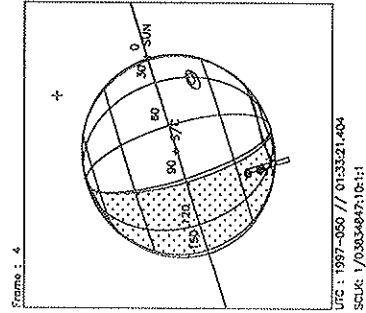
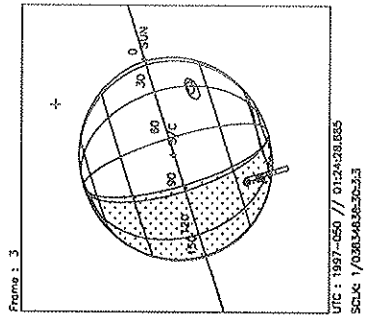
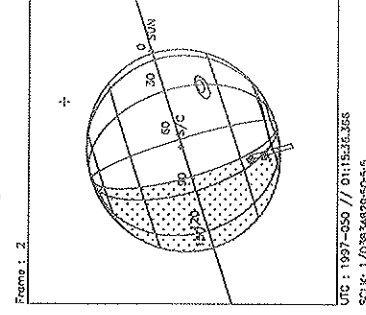
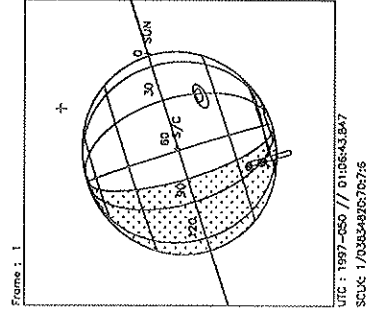
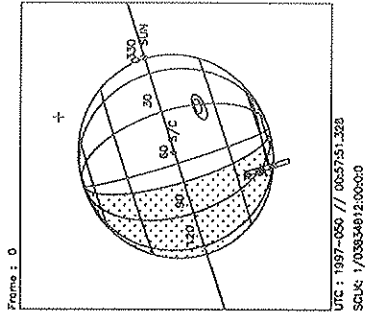
.PH:/DATA/NAVIO/T-970109-TOUR.NS

ERIAPSIS:

THINNING: :UVS 1

TART:JEE 97-051/20:52:52.600 -CDS 2606:00:0

BODY PLOT TIME:TARGET-TIME D= 182 S= 0.800



Start UTC\_TIME : 1997-050 // 00:57:51.328  
 End UTC\_TIME : 1997-050 // 02:17:43.992  
 Start SCLK : 1/03834812:00:00  
 Delta Time between FOV : 532.5190  
 FOVs : F Channel(0.1x0.4), N/G Channel(0.5x0.5)

Target Body : JUPITER  
 Target Cone/Clock : 98.27 / 93.86 Deg  
 S/C to Body Center : 1748056. Km ( 24.451073 Rj )  
 Z-axis Pointing ( Ra / Dec ) : 130.30 / 18.80 Deg

Activity ID: Orbit E6	OAPEL IUPLUMON	SeqNo 24+
Title SSI/UVS Io PELE	Instrument UVS	
Requestor UVS-AWG/W. KENT TOBISKA	Team UVS	Working Group AWG
Time System CDS	Load ID E6A	Calendar Date 02/19/97 Week 8
Start JEE-CDS 2519:00:0	97-050/02:25:53.267	JEE-001/18:26:59.333
End JEE-CDS 2513:00:0	97-050/02:31:57.267	JEE-001/18:20:55.333
Duration 00000006:00:0	000/00:06:04.000	000/00:06:04.000
Top Label E6IUPLUMON24+		
Bottom Label recorded		
Plot Key UVS	Type SCI	
CDS Bytes 75	Report Options BOTH	Scan Platform No
CDS Source OAP	Spin State DUAL	DMS No
<b>Observation Objective</b>		
<p>To plume monitor campaign ridealong with SSI 1x3 (E6ISPELE_01) in VLT, GRN, RED. This observation occurs after the E6JUAURMAP01.</p> <p>Recorded LRS within SSI hi-rate OCM record for 40 mf; F/G 48-step miniscan on Io to obtain SO<sub>2</sub> band emissions in MUV centered at 2801+/-70 and S FUV at 1455+/-35 (1429, 1435, 1479) A. Return active plume and off plume data. Distance from Io = 2109000 km. Distance from Jupiter = 24 Rj.</p> <p>Last cn/ck = TBD.</p> <p>[Note: possible change to MUV: 2350-2730 SO emission?]</p> <p style="text-align: center;"><i>SSI Image ~ 1 min (6x6)</i></p>		
<b>Design Detail</b>		
<pre> PSID  CDS  RIM  COMMAND  PARAMETERS 384AC  00  00  COMMNT  UVS  RIM  0 157AD  38  03  CMDRS   PLAN_DUR = 2 RIMS; EST_UVS_CMDS = 2           04          1 34UVS/UVF:DB, FIXED, NORM, NORM, NORM, SAME, 0, ON, OFF, ON, ON, OFF, NOOVR, 1, 68, 6D, 00, 7F           06          3 34UVS/OFF:C1, FIXED, NORM, NORM, NORM, SAME, 0, OFF, OFF, ON, OFF, OFF, NOOVR, 1, 2C, 05, 00, 00 165JK  00  03+TARGET Io s/c subpt (IEE-CDS 1995:00:0) (final RA/Dec = 220.58/-17.65) 118JK  00  03+SMOS   Blockshift = 1:01:0 175IA  00  04+SCIREC  Blockshift = 51 mf, dur = 40 mf, rate = R115 (IEE-CDS 1991:00:0/BS 51) 117AC  37  04+CSMOS   Blockshift = 68 mf, plan_dur = 0:25:0, obs_slew_rate = 0.41,           cn_del_s = 5.0, strip_dur = +cds 0:23:0, strips = 1,           1 slew across Io for 23 mf 305AA  00  04+SELECT INSTR = UVS2, COMPR = RICE, CMPR_DVSR = 2.0, CMPR_UNC = 0.0 (-cds 2514:44:0) 300AA  00  05 DESELC INSTR = UVS2 (-cds 2514:00:0)           </pre>		

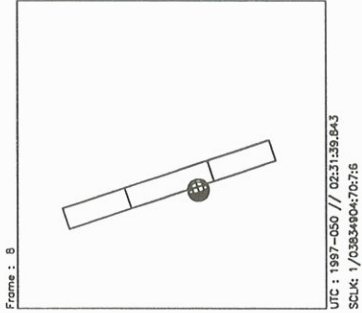
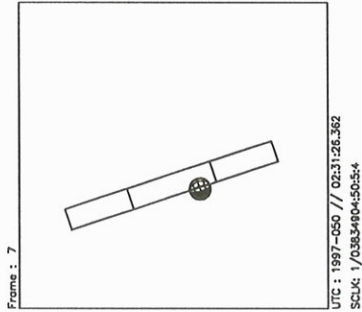
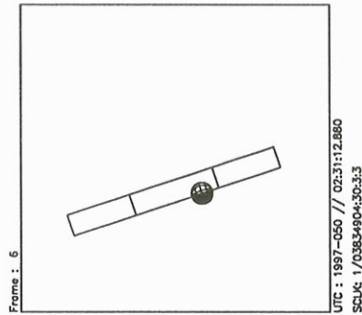
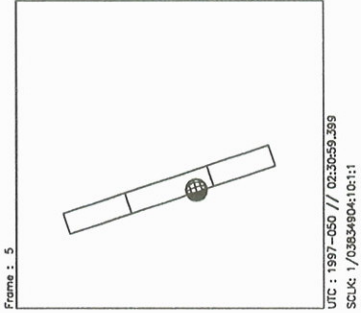
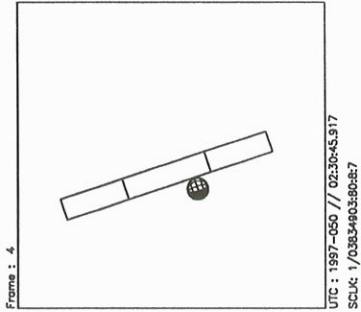
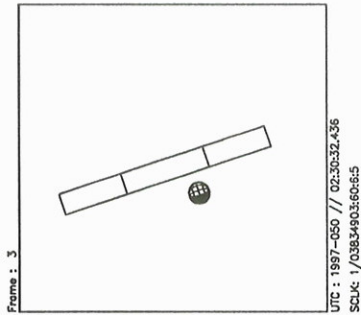
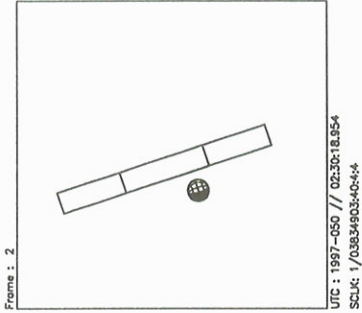
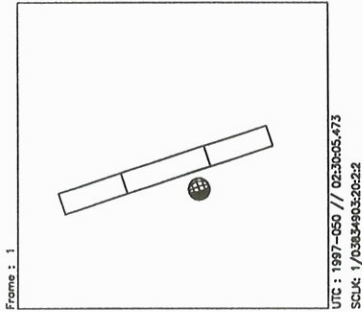
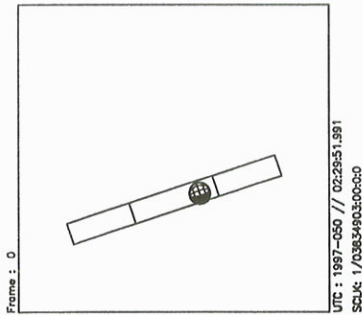


*I<sub>0</sub> Plume Mon.*

J Feb 12 17:17:12 1997

Page 1 of 1

*EGAPC  
EGIV PLUMON 24*



Start UTC\_TIME : 1997-050 // 02:29:51.991  
End UTC\_TIME : 1997-050 // 02:31:53.325  
Start SCLK : 1/03834903:00:00  
Delta Time between FOV : 1.348148  
FOVs : F Channel(0.1x0.4), N/G Channel(0.5x0.5)

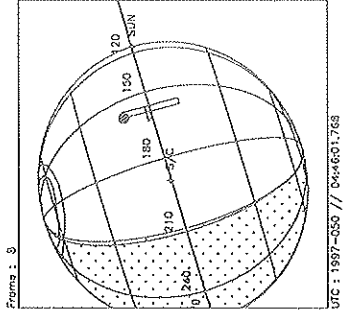
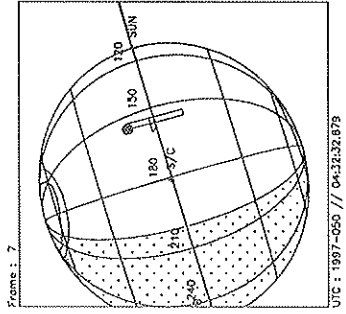
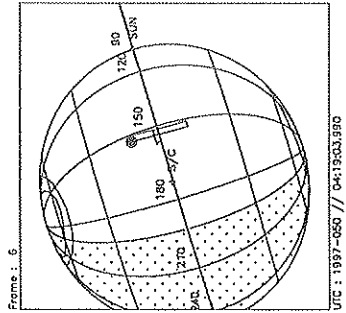
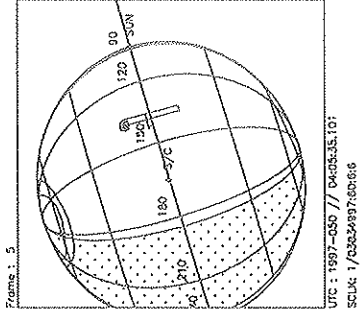
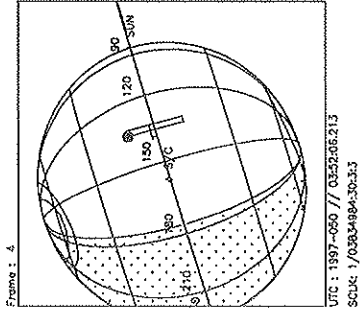
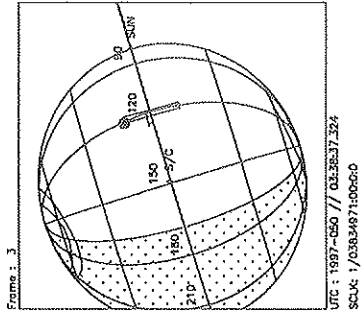
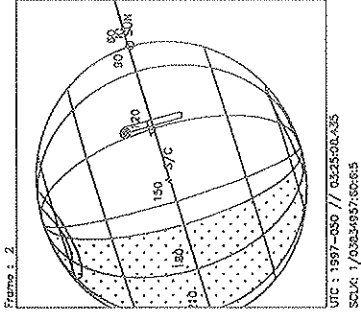
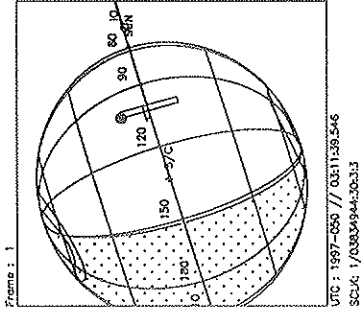
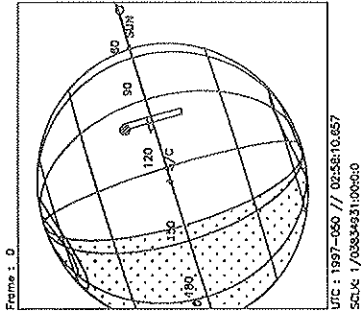
Target Body : IO  
Target Cone/Clock : 95.76 / 93.86 Deg  
S/C to Body Center : 2110623. Km ( 1156.9179 Ri )  
Z-axis Pointing ( Ra / Dec ) : 130.30 / 18.80 Deg

Brightside map

ACTIVITY ID: E6JUBRTMAP01-

START TIME: 97-050/02:54:11.934

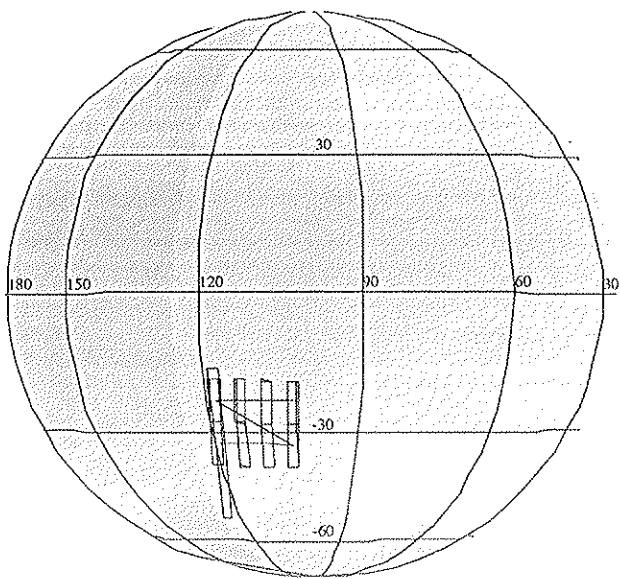
<b>Activity ID:</b> Orbit E6	<b>OAPEL</b> JUBRTMAP	<b>SeqNo</b> 01-
<b>Title</b> Brightside map		<b>Instrument</b> UVS
<b>Requestor</b> UVS-AWG/W. KENT TOBISKA	<b>Team</b> UVS	<b>Working Group</b> AWG
<b>Time System</b> CDS	<b>Load ID</b> E6A	<b>Calendar Date</b> 02/19/97 <b>Week</b> 8
<b>Start</b> JEE-CDS 2491:00:0	97-050/02:54:11.934	JEE-001/17:58:40.666
<b>End</b> JEE-CDS 2337:00:0	97-050/05:29:54.600	JEE-001/15:22:58.000
<b>Duration</b> 00000154:00:0	000/02:35:42.666	000/02:35:42.666
<b>Top Label</b> E6JUBRTMAP01-		
<b>Bottom Label</b> realtime		
<b>Plot Key</b> UVS	<b>Type</b> SCI	
<b>CDS Bytes</b> 307	<b>Report Options</b> BOTH	<b>Scan Platform</b> Yes
<b>CDS Source</b> OAP	<b>Spin State</b> DUAL	<b>DMS</b> No
<b>Observation Objective</b>		
	FUV equatorial dayglow observation.	
	Realtime observation at 10 bps for 2.5 hours; G/G 24 step 2 position miniscan covering 1260-1333 A and 1448-1521 A in first order. 10 RIMS UVS OFF/FIXED every 30 RIMS for PWS. Expect RTSFMT = F & A. Distance from Jupiter = 23 Rj.	
	Last cn/ck = TBD.	
<b>Design Detail</b>		
<pre> PSID  CDS  RIM  COMMAND  PARAMETERS 384AD  00  00  COMMENT  UVS RIM 0  61AB  28  02+LOOPER  DUR = 30 RIMS; REPEAT = 5 349AO  28  03+UVFLSH  DISCRD, UVS 157AE  38  03  CMDRS   PLAN_DUR = 21 RIMS; EST_UVS_CMDS = 2       04      1 34UVS/UVG: D5, FIXED, NORM, NORM, NORM, SAME, 0, OFF, OFF, ON, ON, OFF, NOOVR, 1, 29, 54, 04, 3B       24      21 34UVS/OFF: C1, FIXED, NORM, NORM, NORM, SAME, 0, OFF, OFF, ON, OFF, OFF, NOOVR, 1, 2C, 05, 00, 00 165AD  36  04  TARGET  Lat/lon = 0/100 (no TMC) (RA/Dec = 223.49/-18.64) 117AD  37  04  CSMOS   1 subcsmos; 5 slews on brightside 349AP  28  23+UVFLSH  PACKET, UVS (1) 349AQ  28  53+UVFLSH  PACKET, UVS (2) 349AR  28  83+UVFLSH  PACKET, UVS (3) 349AS  28  113+UVFLSH PACKET, UVS (4) 349AT  28  143+UVFLSH PACKET, UVS (5) </pre>		



Start UTC\_TIME : 1997-050 // 02:58:10.657  
 End UTC\_TIME : 1997-050 // 04:59:30.652  
 Start SCLK : 1/03834931:00:0:0  
 Delta Time between FOV : 808.8889  
 FOVs : N/C Channel(0.5x0.5)

Target Body : JUPITER  
 Target Cone/Clock : 99.95 / 93.85 Deg  
 S/C to Body Center : 169473. Km ( 23.705303 Rj )  
 Z-axis Pointing ( Ro / Dec ) : 130.30 / 18.80 Deg

Activity ID: Orbit E6		OAPEL JUFTKR1E		SeqNo 21-	
Title	White oval Feature Track			Instrument	UVS
Requestor	UVS-AWG/W. KENT TOBISKA	Team	UVS	Working Group	AWG
Time System	CDS	Load ID	E6A	Calendar Date	02/19/97 Week 8
Start	JEE-CDS 1929:00:0		97-050/12:22:26.600		JEE-001/08:30:26.000
End	JEE-CDS 1912:00:0		97-050/12:39:37.934		JEE-001/08:13:14.666
Duration	00000017:00:0		000/00:17:11.334		000/00:17:11.334
Top Label	E6JUFTKR1E21-				
Bottom Label	realtime				
Plot Key	UVS	Type	SCI		
CDS Bytes	403	Report Options	BOTH	Scan Platform	No
CDS Source	OAP	Spin State	DUAL	DMS	No
<b>Observation Objective</b>					
<p>AWG white oval BC feature track (-33/104 lat/lon) (JEE epoch), rotation 1, solar phase angle 64 deg, emission angle 2; follows SSI (E6JSWHTOVL01) 4x2.</p> <p>Realtime observation; full F/F scan and setup for G/G 176 step miniscan for hydrocarbons between 1496-1755 A. Expect RTSPMT = A. Distance from Jupiter = 20 Rj.</p> <p>Last cn/ck = TBD.</p> <p>[NOTE: white ovals at 135.4, 113.7, 91.5 from IRTF on Dec 17-20]</p>					
<b>Design Detail</b>					
<pre> PSID  CDS  RIM  COMMAND  PARAMETERS 384AE  00  00  COMMNT  UVS  RIM  0 349AU  28  -01+UVFLSH  DISCRD,UVS 157AF  52  00  CMDRS  PLAN_DUR = 24 RIMS; EST_UVS_CMDS = 3       01  1 34UVS/UVF: 07, SCAN, NORM, NORM, NORM, SAME, 0, ON, OFF, OFF, ON, OFF, NOOVR, 1, 00, 9C, 00, 00       17  17 34UVS/UVG: E3, FIXED, NORM, NORM, NORM, SAME, 0, OFF, OFF, ON, ON, OFF, NOOVR, 1, 1A, 8E, 00, 00       24  24 34UVS/OFF: C1, FIXED, NORM, NORM, NORM, SAME, 0, OFF, OFF, ON, OFF, OFF, NOOVR, 1, 2C, 05, 00, 00 165AE  36  01  TARGET  Lat/Lon = -23/103 (RA/Dec = 234.47/-22.52) 117AE  63  01  CSMOS  3 subcsmos; 4 slews, 1 repo, 3 slews 349AV  28  01+UVFLSH  PACKET,UVS (1) 349AW  28  03+UVFLSH  PACKET,UVS (2) 349AX  28  05+UVFLSH  PACKET,UVS (3) 349AY  28  07+UVFLSH  PACKET,UVS (4) 349AZ  28  09+UVFLSH  PACKET,UVS (5) 349LA  28  11+UVFLSH  PACKET,UVS (6) 349LB  28  13+UVFLSH  PACKET,UVS (7) 349LC  28  15+UVFLSH  PACKET,UVS (8)                     </pre>					



ESIGN G3.0 kent : 1/21/1997 14:20:54

FILE:P.E6JUFTKR1E21

CENTRAL BODY:JUPITER III

FILE:m.E6JUFTKR1E21

FILE:PH:/DATA/NAVIO/T-970109-TOUR.NS

PERIAPSIS:

START:JEE 97-051/20:52:52.600 -CDS 1928:00:0

165AE:TT= 0 TMC= 1 C= 0.00 XC= 0.00 BS= 0/8210 TC= 1(-23 103 )  
 A= 182 pD= 182 SR=17.450 RA50=234.47 DEC50=-22.52 cone=109.73 clock= 92.73  
 117AE:#SB= 3 OR= 1.000 RR=12.000 BM=F RC= 1 BS= 0/8210  
 1:#s= 4 Cs= 0.00 XCs= 0.00 Cr= 4.00 XCr= 0.00 sD= 272 rD= 92  
 2:#s= 1 Cs= 0.00 XCs= 0.00 Cr= -13.00 XCr= -7.00 sD= 272 rD= 92  
 3:#s= 3 Cs= 0.00 XCs= 0.00 Cr= 4.00 XCr= 0.00 sD= 272 rD= 92

THINNING: :UVS 1

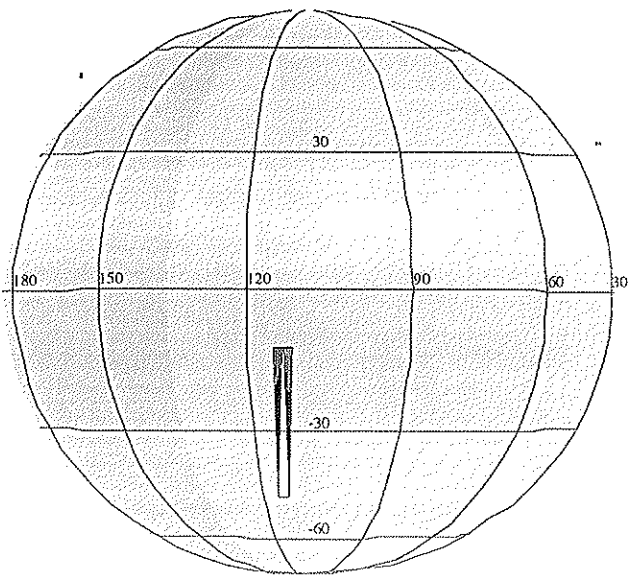
BODY PLOT TIME:TARGET-TIME D= 182 S= 0.800

White oval Feature Track

ACTIVITY ID: E6JUFTKR1E22-

START TIME: 97-050/12:39:37.934

<b>Activity ID:</b> Orbit E6	<b>OAPEL</b> JUFTKR1E	<b>SeqNo</b> 22-
<b>Title</b> White oval Feature Track		<b>Instrument</b> UVS
<b>Requestor</b> UVS-AWG/W. KENT TOBISKA	<b>Team</b> UVS	<b>Working Group</b> AWG
<b>Time System</b> CDS	<b>Load ID</b> E6A	<b>Calendar Date</b> 02/19/97 <b>Week</b> 8
<b>Start</b> JEE-CDS 1912:00:0	97-050/12:39:37.934	JEE-001/08:13:14.666
<b>End</b> JEE-CDS 1905:00:0	97-050/12:46:42.600	JEE-001/08:06:10.000
<b>Duration</b> 00000007:00:0	000/00:07:04.666	000/00:07:04.666
<b>Top Label</b> E6JUFTKR1E22-		
<b>Bottom Label</b> realtime		
<b>Plot Key</b> UVS	<b>Type</b> SCI	
<b>CDS Bytes</b> 64	<b>Report Options</b> BOTH	<b>Scan Platform</b> No
<b>CDS Source</b> OAP	<b>Spin State</b> DUAL	<b>DMS</b> No
<b>Observation Objective</b>		
<p>AWG white oval BC feature track (-33/104 lat/lon) (JEE epoch), rotation 1, solar phase angle 64 deg, emission angle 2.</p> <p>Realtime observation; G/G 176 step miniscan for hydrocarbons between 1496-1755 A. Expect RTSFMT = A. Distance from Jupiter = 20 Rj.</p> <p>Last cn/ck = TBD.</p> <p>[NOTE: white ovals at 135.4, 113.7, 91.5 from IRTF on Dec 17-20]</p>		
<b>Design Detail</b>		
<pre> PSID  CDS  RIM  COMMAND  PARAMETERS 384AF  00  00  COMMENT  UVS RIM 0 165AF  36  00  TARGET  Lat/Lon = -28/113.4 (RA/Dec = 234.80/-22.81) 349LD  28  06+UVFLSH  PACKET,UVS (9) </pre>		




---

165AF:TT= 0 TMC= 1 C= 0.00 XC= 0.00 BS= 0/1122 TC= 1(-28 113.4 )  
 A= 92 pD= 182 SR=17.450 RA50=234.80 DEC50=-22.81 cone=110.09 clock= 92.49

ESIGN G3.0 kent : 1/21/1997 14:21:40

FILE:P.E6JUFTKR1E22

CENTRAL BODY:JUPITER III

FILE:m.E6JUFTKR1E22

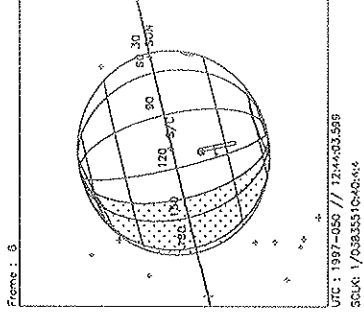
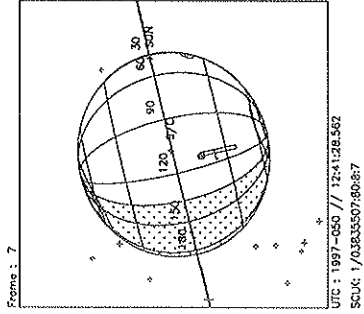
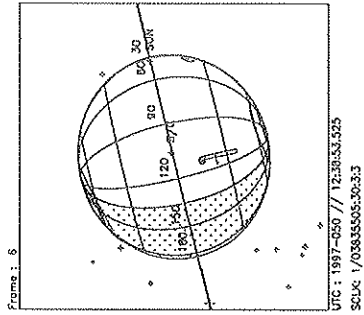
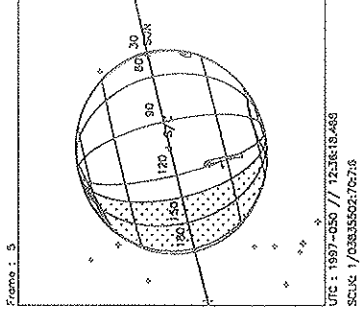
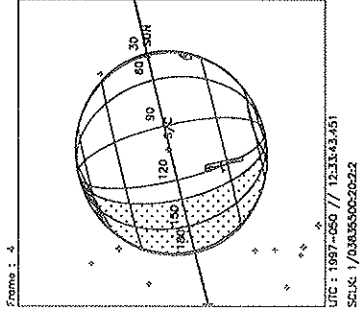
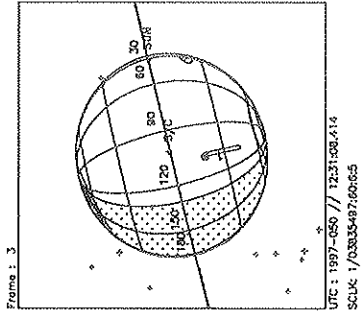
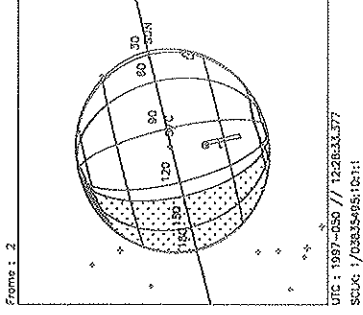
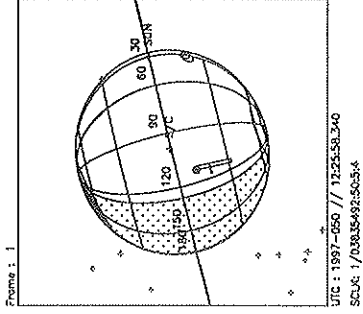
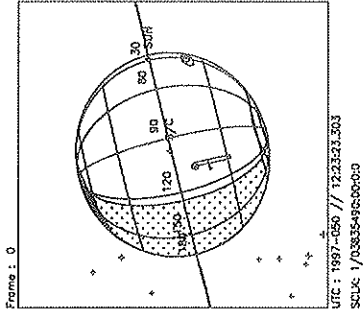
PH:/DATA/NAVIO/T-970109-TOUR.NS

PHIAPSIS:

THINNING: :UVS 1

TARGET:JEE 97-051/20:52:52.600 -CDS 1912:00:0

BODY PLOT TIME:TARGET-TIME D= 182 S= 0.800



Start UTC\_TIME : 1997-050 // 12:23:23.303  
End UTC\_TIME : 1997-050 // 12:46:38.635  
Start SCLK : 1/0383549000000  
Delta Time between FOV : 155.0370  
FOVs : N/G Channel(0.5x0.5)

Target Body : JUPITER  
Target Cone/Clock : 109.57 / 93.84 Deg  
S/C to Body Center : 1434490, Km ( 20.065047 Rj )  
Z-axis Pointing ( Ro / Dec ) : 130.30 / 18.80 Deg

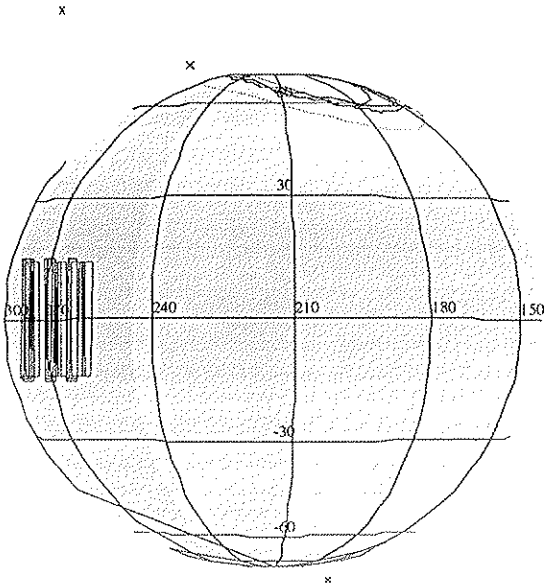


Fixed local time map

ACTIVITY ID: E6JUFIXTMD01-

START TIME: 97-050/15:36:34.600

<b>Activity ID:</b> Orbit E6		<b>OAPEL</b> JUFIXTMD		<b>SeqNo</b> 01-	
<b>Title</b>	Fixed local time map			<b>Instrument</b>	UVS
<b>Requestor</b>	UVS-AWG/W. KENT TOBISKA	<b>Team</b>	UVS	<b>Working Group</b>	AWG
<b>Time System</b>	CDS	<b>Load ID</b>	E6A	<b>Calendar Date</b>	02/19/97
				<b>Week</b>	8
<b>Start</b>	JEE-CDS 1737:00:0		97-050/15:36:34.600		JEE-001/05:16:18.000
<b>End</b>	JEE-CDS 1553:00:0		97-050/18:42:37.267		JEE-001/02:10:15.333
<b>Duration</b>	00000184:00:0		000/03:06:02.667		000/03:06:02.667
<b>Top Label</b>	E6JUFIXTMD01-				
<b>Bottom Label</b>	realtime				
<b>Plot Key</b>	UVS	<b>Type</b>	SCI		
<b>CDS Bytes</b>	335	<b>Report Options</b>	BOTH	<b>Scan Platform</b>	Yes
<b>CDS Source</b>	OAP	<b>Spin State</b>	DUAL	<b>DMS</b>	No
<b>Observation Objective</b>					
	Global mapping of darkside equatorial H Ly-a.				
	Realtime observation at 10 bps for 3.0 hours; G/G Ly-a 88 step 2 position miniscan. 10 RIMs UVS OFF/FIXED every 30 RIMs for PWS. Expect RTSFMT = A & E. Distance from Jupiter = 18 Rj.				
	Last cn/ck = TBD.				
<b>Design Detail</b>					
PSID CDS RIM COMMAND PARAMETERS					
384AH 00 00 COMMNT UVS RIM 0					
61AC 28 02+LOOPER DUR = 30 RIMS; REPEAT = 6					
349LE 28 03+UVFLSH DISCRD, UVS					
157AG 38 03 CMDRS PLAN_DUR = 21 RIMS; EST_UVS_CMDS = 2					
04 1					
34UVS/UVG: DF, FIXED, NORM, NORM, NORM, SAME, 0, OFF, OFF, ON, ON, OFF, NOOVR, 1, 2C, 7D, 00, 2C					
24 21					
34UVS/OFF: C1, FIXED, NORM, NORM, NORM, SAME, 0, OFF, OFF, ON, OFF, OFF, NOOVR, 1, 2C, 05, 00, 00					
165AG 36 04 TARGET Lat/lon = 0/277 (sit and stare - no TMC) (RA/Dec = 241.98/-22.94)					
117AG 37 04 CSMOS 1 subcsmos; 6 slews on darkside					
349LF 28 23+UVFLSH PACKET, UVS (1)					
349LG 28 53+UVFLSH PACKET, UVS (2)					
349LH 28 83+UVFLSH PACKET, UVS (3)					
349LI 28 113+UVFLSH PACKET, UVS (4)					
349LJ 28 143+UVFLSH PACKET, UVS (5)					
349LK 28 173+UVFLSH PACKET, UVS (6)					




---

165AG:TI= 0 TMC= 1 C= 0.00 XC= 0.00 BS= 0/3700 TC= 1(0 277 )  
 A= 728 pD= 182 SR=17.450 RA50=241.98 DEC50=-22.94 cone=116.59 clock= 93.79  
 117AG:#SB= 1 OR= 0.010 RR=12.000 BM=F RC= 1 BS= 0/3700  
 1:#s= 6 Cs= 0.00 XCs= 0.00 Cr= 13.50 XCr= 0.00 sD= 5278 rD= 182

ESIGN G3.0 kent : 1/21/1997 14:23:24

ILE:P.E6JUFIXTMD01

ENTRAL BODY:JUPITER III

INI:m.E6JUFIXTMD01

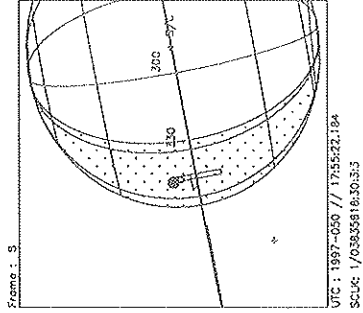
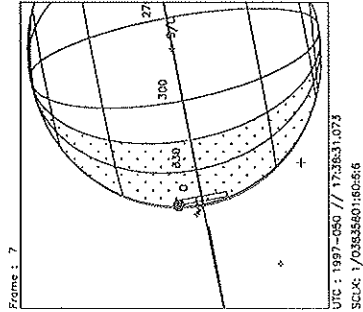
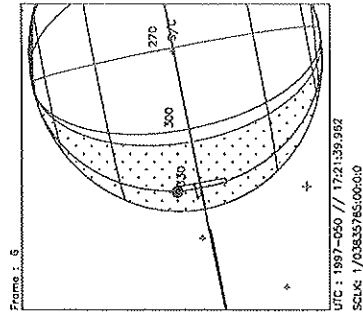
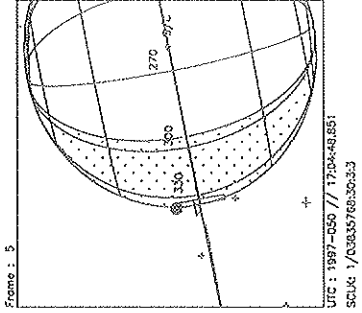
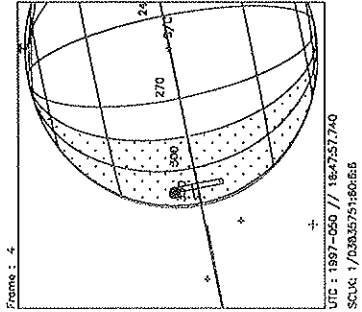
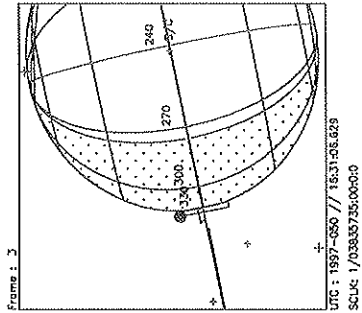
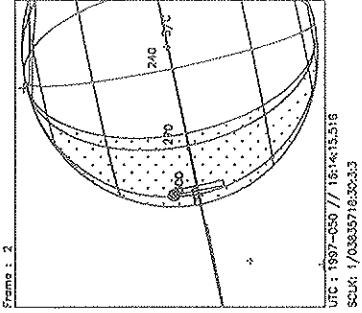
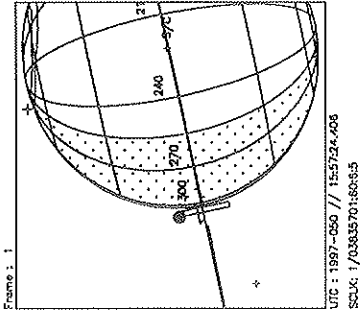
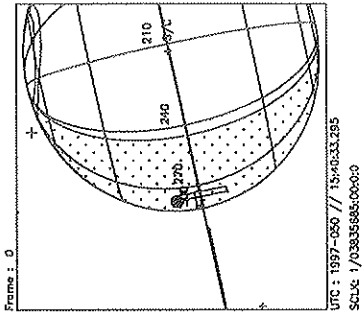
PH:/DATA/NAVIO/T-970109-TOUR.NS

ERIAPSIS:

THINNING: :UVS 1

TART:JEE 97-051/20:52:52.600 -CDS 1733:00:0

BODY PLOT TIME:TARGET-TIME D= 182 S= 0.700



Start UTC\_TIME : 1997-050 // 15:40:33.295  
 End UTC\_TIME : 1997-050 // 18:12:13.290  
 Start SCLK : 1/03835685000:0  
 Delta Time between FOV : 1011.111  
 FOVs : N/G Channel(0.5x0.5)

Target Body : JUPITER  
 Target Cone/Clock : 113.81 / 93.83 Deg  
 S/C to Body Center : 1340192. Km ( 18.746044 Rj )  
 Z-axis Pointing ( Ra / Dec ) : 130.30 / 18.80 Deg

<b>Activity ID:</b> Orbit E6	<b>OAPEL</b> JUFTKR2E	<b>SeqNo</b> 11-
<b>Title</b> White oval Feature Track		<b>Instrument</b> UVS
<b>Requestor</b> UVS-AWG/W.KENTTOBISKA	<b>Team</b> UVS	<b>Working Group</b> AWG

<b>Time System</b> CDS	<b>Load ID</b> E6A	<b>Calendar Date</b> 02/19/97	<b>Week</b> 8
<b>Start</b> JEE-CDS 1343:00:0	97-050/22:14:57.267	JEE-000/22:37:55.333	
<b>End</b> JEE-CDS 1326:00:0	97-050/22:32:08.600	JEE-000/22:20:44.000	
<b>Duration</b> 00000017:00:0	000/00:17:11.333	000/00:17:11.333	

<b>Top Label</b> E6JUFTKR2E11-		
<b>Bottom Label</b> realtime		
<b>Plot Key</b> UVS	<b>Type</b> SCI	
<b>CDS Bytes</b> 403	<b>Report Options</b> BOTH	<b>Scan Platform</b> No
<b>CDS Source</b> OAP	<b>Spin State</b> DUAL	<b>DMS</b> No

**Observation Objective**

AWG white oval BC feature track (-33/104 lat/lon) (JEE epoch), rotation 2, solar phase angle 48 deg, emission angle 1; follows SSI (E6JSWHTOVL02) 4x2.

Realtime observation; full F/F scan and setup for G/G 176 step miniscan for hydrocarbons between 1496-1755 A. Expect RTSFMT = A. Distance from Jupiter = 15 Rj.

Last cn/ck = TBD.

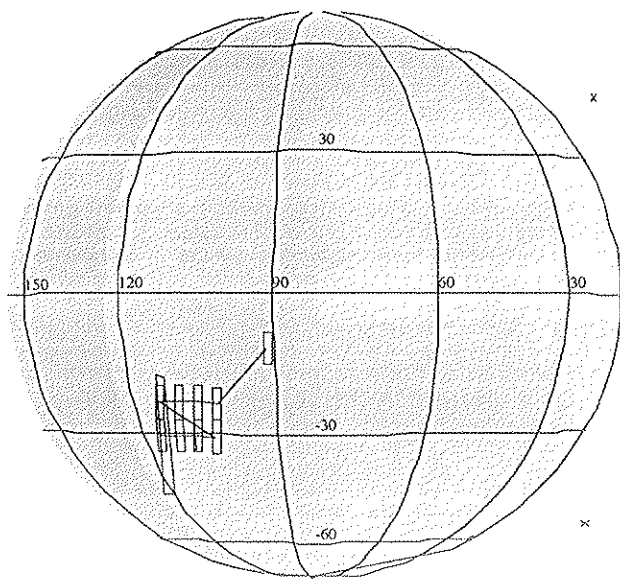
[NOTE: white ovals at 135.4, 113.7, 91.5 from IRTF on Dec 17-20]

**Design Detail**

```

PSID  CDS  RIM  COMMAND  PARAMETERS
384AI  00  00  COMMENT  UVS RIM 0
349LL  28  -01+UVFLSH  DISCRD,UVS
157AH  52  00  CMDRS   PLAN_DUR = 25 RIMS; EST_UVS_CMDS = 3
      01  1
34UVS/UVF: 07, SCAN, NORM, NORM, NORM, SAME, 0, ON, OFF, OFF, ON, OFF, NOOVR, 1, 00, 9C, 00, 00
      17  17
34UVS/UVG: E3, FIXED, NORM, NORM, NORM, SAME, 0, OFF, OFF, ON, ON, OFF, NOOVR, 1, 1A, 8E, 00, 00
      25  25
34UVS/OFF: C1, FIXED, NORM, NORM, NORM, SAME, 0, OFF, OFF, ON, OFF, OFF, NOOVR, 1, 2C, 05, 00, 00
165AH  36  01  TARGET  Lat/Lon = -23/101.5 (RA/Dec = 251.52/-25.54)
117AH  63  01  CSMOS   3 subcsmos; 4 slews, 1 repo, 3 slews
349LM  28  01+UVFLSH  PACKET,UVS (1)
349LN  28  03+UVFLSH  PACKET,UVS (2)
349LO  28  05+UVFLSH  PACKET,UVS (3)
349LP  28  07+UVFLSH  PACKET,UVS (4)
349LQ  28  09+UVFLSH  PACKET,UVS (5)
349LR  28  11+UVFLSH  PACKET,UVS (6)
349LS  28  13+UVFLSH  PACKET,UVS (7)
349LT  28  15+UVFLSH  PACKET,UVS (8)
        
```



ESIGN G3.0 kent : 1/21/1997 14:39:58

ILE:P.E6JUFTKR2E11

ENTRAL BODY:JUPITER III

INI:m.E6JUFTKR2E11

.PH:/DATA/NAVIO/T-970109-TOUR.NS

ERIAPSIS:

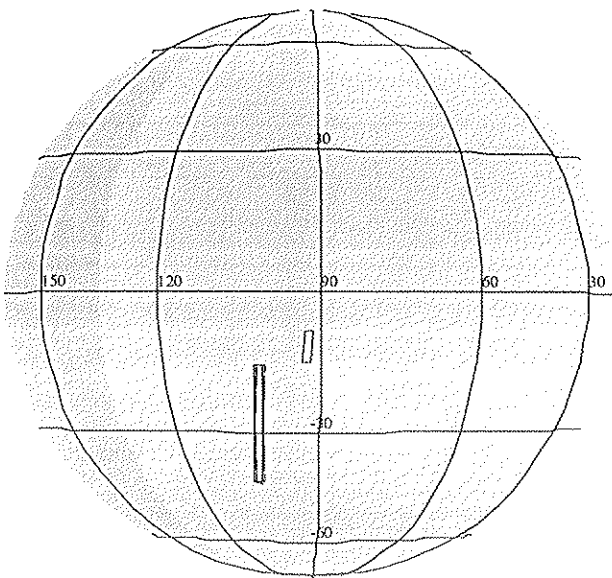
TART:JEE 97-051/20:52:52.600 -CDS 1342:00:0

165AH:TT= 0 TMC= 1 C= 0.00 XC= 0.00 BS= 0/4862 TC= 1(-23 101.5 )  
 A= 182 pD= 182 SR=17.450 RA50=251.52 DEC50=-25.54 cone=125.57 clock= 92.19  
 117AH:#SB= 3 OR= 1.000 RR=12.000 BM=F RC= 1 BS= 0/4862  
 1:#s= 4 Cs= 0.00 XCs= 0.00 Cr= 4.00 XCr= 0.00 sD= 272 rD= 92  
 2:#s= 1 Cs= 0.00 XCs= 0.00 Cr= -12.00 XCr= -7.00 sD= 272 rD= 92  
 3:#s= 3 Cs= 0.00 XCs= 0.00 Cr= 4.00 XCr= 0.00 sD= 272 rD= 92

THINNING: :UVS 1

BODY PLOT TIME:TARGET-TIME D= 182 S= 0.800

<b>Activity ID:</b> Orbit E6	<b>OAPEL</b> JUFTKR2E	<b>SeqNo</b> 12+
<b>Title</b> White oval Feature Track		<b>Instrument</b> UVS
<b>Requestor</b> UVS-AWG/W. KENT TOBISKA	<b>Team</b> UVS	<b>Working Group</b> AWG
<b>Time System</b> CDS	<b>Load ID</b> E6A	<b>Calendar Date</b> 02/19/97 <b>Week</b> 8
<b>Start</b> JEE-CDS 1326:00:0	97-050/22:32:08.600	JEE-000/22:20:44.000
<b>End</b> JEE-CDS 1318:00:0	97-050/22:40:13.934	JEE-000/22:12:38.666
<b>Duration</b> 00000008:00:0	000/00:08:05.334	000/00:08:05.334
<b>Top Label</b> E6JUFTKR2E12+		
<b>Bottom Label</b> realtime		
<b>Plot Key</b> UVS	<b>Type</b> SCI	
<b>CDS Bytes</b> 28	<b>Report Options</b> BOTH	<b>Scan Platform</b> No
<b>CDS Source</b> OAP	<b>Spin State</b> DUAL	<b>DMS</b> No
<b>Observation Objective</b>		
	AWG white oval BC feature track (-33/104 lat/lon) (JEE epoch), rotation 2, solar phase angle 48 deg, emission angle 1; ridealong with NIMS (E6JNPFTB4801).	
	Realtime observation; G/G 176 step miniscan for hydrocarbons between 1496-1755 A. Expect RTSFMT = A. Distance from Jupiter = 15 Rj.	
	Last cn/ck = TBD.	
	[NOTE: white ovals at 135.4, 113.7, 91.5 from IRTF on Dec 17-20]	
<b>Design Detail</b>		
<pre> PSID  CDS  RIM  COMMAND  PARAMETERS 384AK  00  00  COMMNT  UVS  RIM  0 165DK  00  01  TARGET  (RA/Dec = 251.94/-25.67) 349LU  28  07+UVFLSH  PACKET,UVS  (9)                 </pre>		



x

---

165ZZ:TT= 0 TMC= 1 C= 0.00 XC= 0.00 BS= 07774 TC= 1(-28 102 )  
 A= 182 pD= 182 SR=17.450 RA50=251.45 DEC50=-25.82 cone=125.53 clock= 91.85

ESIGN G3.0 kent : 1/21/1997 11:52:58

FILE:P.FAKE

CENTRAL BODY:JUPITER III

IN:m.E6JUFTKR2E12

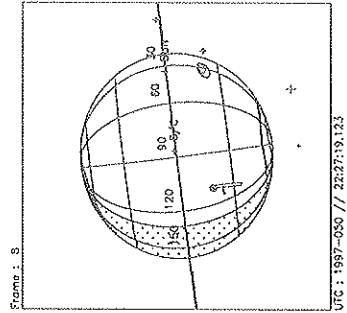
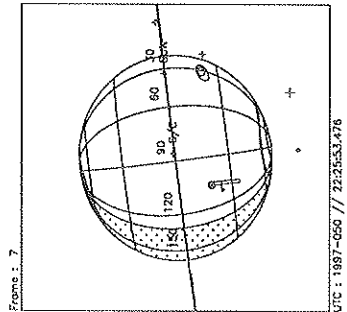
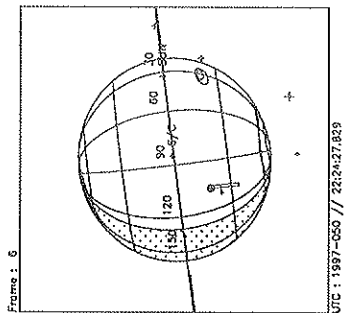
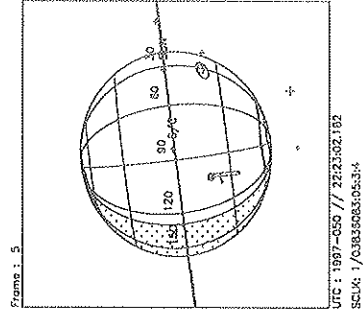
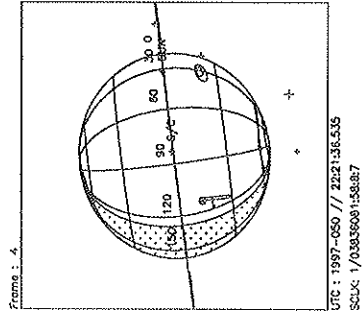
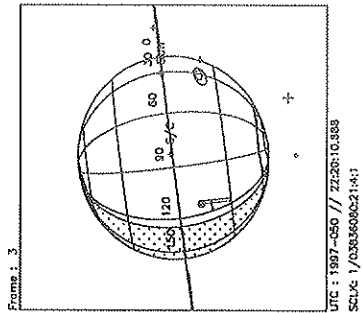
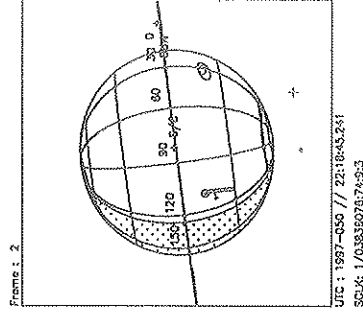
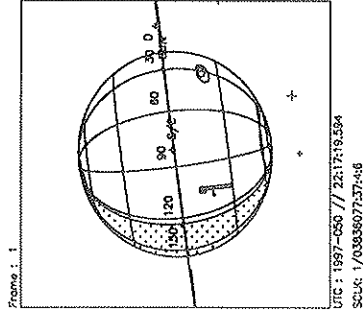
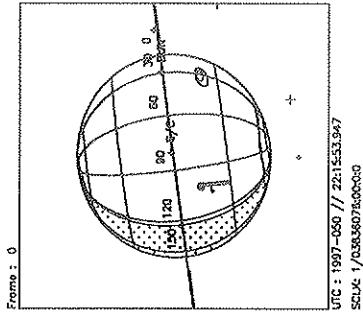
PH:/DATA/NAVIO/T-970109-TOUR.NS

ERIAPSIS:

THINNING: :UVS 1

TART:JEE 97-051/20:52:52.600 -CDS 1326:00:0

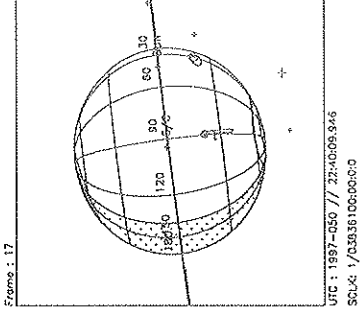
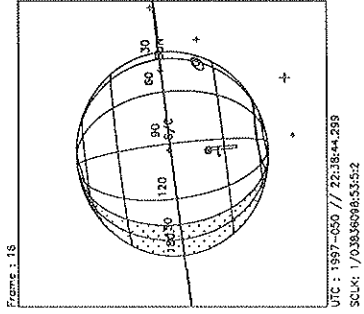
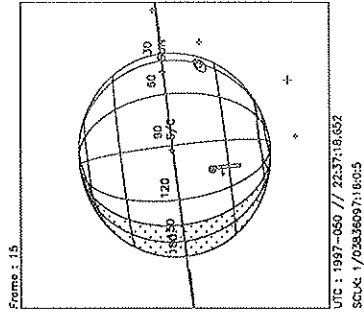
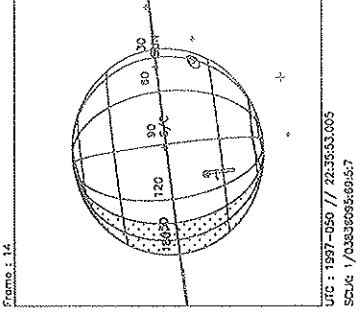
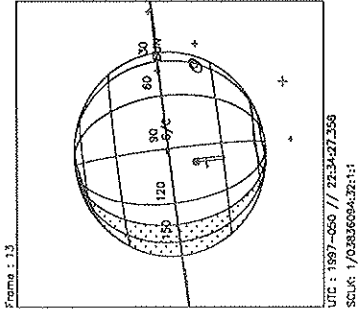
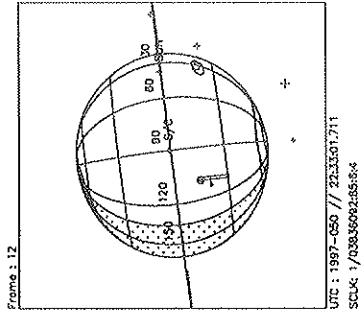
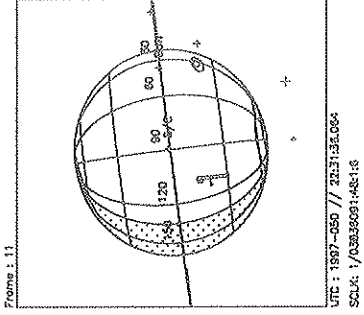
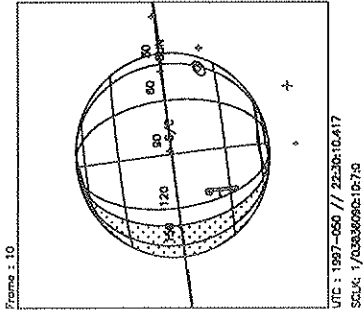
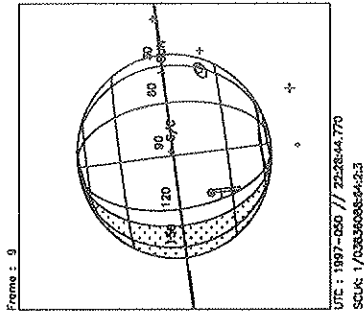
BODY PLOT TIME:TARGET-TIME D= 182 S= 0.800



Start UTC\_TIME : 1997-050 // 22:15:53.947  
End UTC\_TIME : 1997-050 // 22:40:09.1947  
Start SCLK : 1/03836076:00:0:0  
Delta Time between FOV : 85.64700  
FOVs : N/G Channel(0.5x0.5)

Target Body : JUPITER  
Target Cone/Clock : 124.45 / 93.80 Deg  
S/C to Body Center : 1147376. Km ( 16.049011 Rj )  
Z-axis Pointing ( Ro / Dec ) : 130.30 / 18.80 Deg

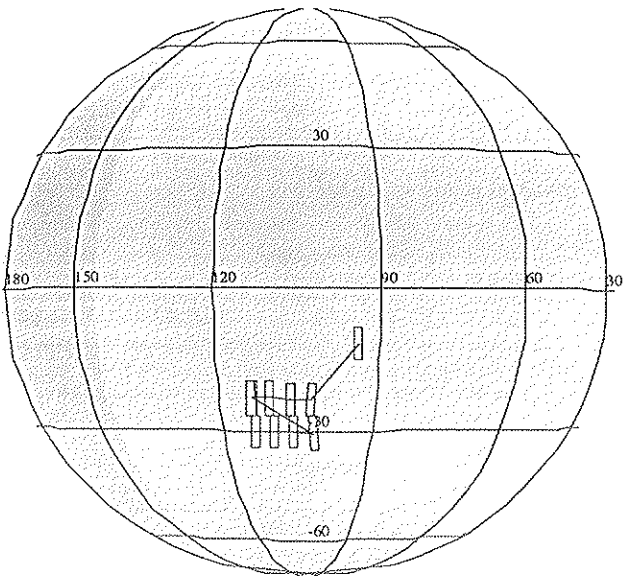




Start UTC\_TIME : 1997-050 // 22:15:53.947  
End UTC\_TIME : 1997-050 // 22:40:09.947  
Start SCLK : 1/03836076:00:0:0  
Delta Time between FOV : 85.64700  
FOVs : N/G Channel(0.5x0.5)

Target Body : JUPITER  
Target Cone/Clock : 124.86 / 93.80 Deg  
S/C to Body Center : 1141069. Km ( 15.960799 Ri )  
Z-axis Pointing ( Ra / Dec ) : 130.30 / 18.80 Deg

<b>Activity ID:</b> Orbit E6	<b>OAPEL</b> JUFTKR2E	<b>SeqNo</b> 21-
<b>Title</b> White oval Feature Track		<b>Instrument</b> UVS
<b>Requestor</b> UVS-AWG/W. KENT TOBISKA	<b>Team</b> UVS	<b>Working Group</b> AWG
<b>Time System</b> CDS	<b>Load ID</b> E6A	<b>Calendar Date</b> 02/19/97 <b>Week</b> 8
<b>Start</b> JEE-CDS 1308:00:0	97-050/22:50:20.600	JEE-000/22:02:32.000
<b>End</b> JEE-CDS 1291:00:0	97-050/23:07:31.934	JEE-000/21:45:20.666
<b>Duration</b> 00000017:00:0	000/00:17:11.334	000/00:17:11.334
<b>Top Label</b> E6JUFTKR2E21-		
<b>Bottom Label</b> realtime		
<b>Plot Key</b> UVS	<b>Type</b> SCI	
<b>CDS Bytes</b> 389	<b>Report Options</b> BOTH	<b>Scan Platform</b> No
<b>CDS Source</b> OAP	<b>Spin State</b> DUAL	<b>DMS</b> No
<b>Observation Objective</b>		
<p>AWG white oval BC feature track (-33/104 lat/lon) (JEE epoch), rotation 2, solar phase angle 48 deg, emission angle 2; follows SSI (E6JSWHTOVL03) 4x2.</p> <p>Realtime observation; full F/F scan and setup for G/G 176 step miniscan for hydrocarbons between 1496-1755 A. Expect RTSPMT = A. Distance from Jupiter = 15 Rj.</p> <p>Last cn/ck = TBD.</p> <p>[NOTE: Followed by SSI Thebe observation of 3 RIMs.]</p> <p>[NOTE: white ovals at 135.4, 113.7, 91.5 from IRTF on Dec 17-20]</p>		
<b>Design Detail</b>		
<pre> PSID  CDS  RIM  COMMAND  PARAMETERS 384AL 00  00  COMMMT  UVS  RIM  0 349LV 28  -01+UVFLSH  DISCRD,UVS 157AJ 38  00  CMDRS   PLAN_DUR = 17 RIMS; EST_UVS_CMDS = 2       01      1 34UVS/UVF: 07, SCAN, NORM, NORM, NORM, SAME, 0, ON, OFF, OFF, ON, OFF, NOOVR, 1, 00, 9C, 00, 00       17      17 34UVS/OFF: C1, FIXED, NORM, NORM, NORM, SAME, 0, OFF, OFF, ON, OFF, OFF, NOOVR, 1, 2C, 05, 00, 00 165AJ 36  01  TARGET  Lat/Lon = -23/102.5 (RA/Dec = 251.48/-25.56) 117AJ 63  01  CSMOS   3 subcsmos; 4 slews, 1 repo, 3 slews 349LW 28  01+UVFLSH  PACKET,UVS (1) 349LX 28  03+UVFLSH  PACKET,UVS (2) 349LY 28  05+UVFLSH  PACKET,UVS (3) 349LZ 28  07+UVFLSH  PACKET,UVS (4) 349KA 28  09+UVFLSH  PACKET,UVS (5) 349KB 28  11+UVFLSH  PACKET,UVS (6) 349KC 28  13+UVFLSH  PACKET,UVS (7) 349KD 28  15+UVFLSH  PACKET,UVS (8)                     </pre>		




---

165AJ:TT= 0 TMC= 1 C= 0.00 XC= 0.00 BS= 0/1232 TC= 1(-23 102.5 )  
 A= 182 pD= 182 SR=17.450 RA50=251.48 DEC50=-25.56 cone=125.54 clock= 92.18  
 117AJ:#SB= 3 OR= 1.000 RR=12.000 BM=F RC= 1 BS= 0/1232  
 1:#s= 4 Cs= 0.00 XCs= 0.00 Cr= 4.00 XCr= 0.00 sD= 272 rD= 92  
 2:#s= 1 Cs= 0.00 XCs= 0.00 Cr= -13.00 XCr= -7.00 sD= 272 rD= 92  
 3:#s= 3 Cs= 0.00 XCs= 0.00 Cr= 4.00 XCr= 0.00 sD= 272 rD= 92

ESIGN G3.0 kent : 1/21/1997 14:40:37

FILE:P.E6JUFTKR2E21

CENTRAL BODY:JUPITER III

INI:m.E6JUFTKR2E21

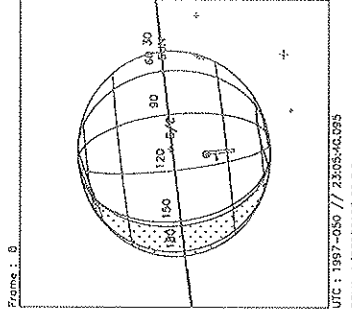
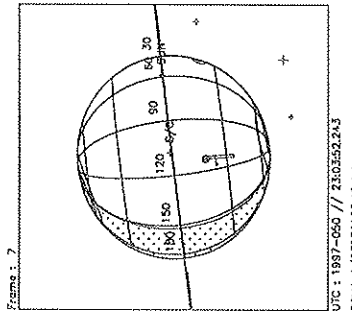
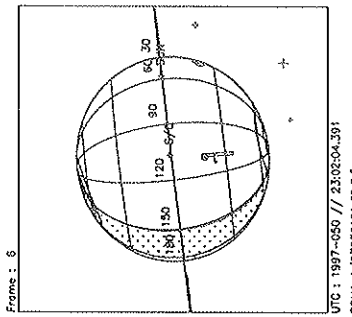
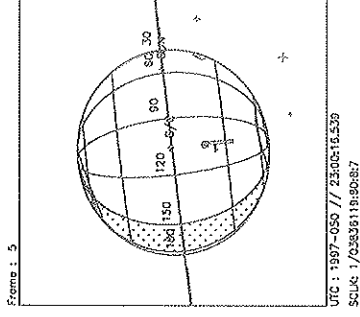
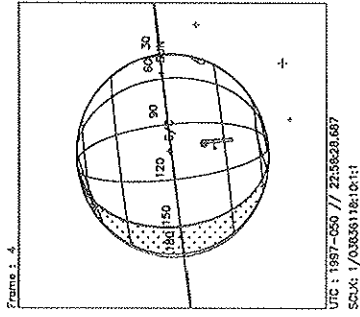
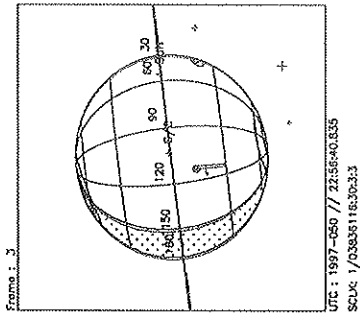
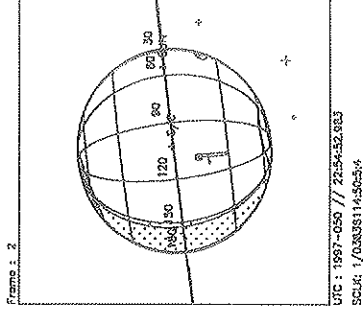
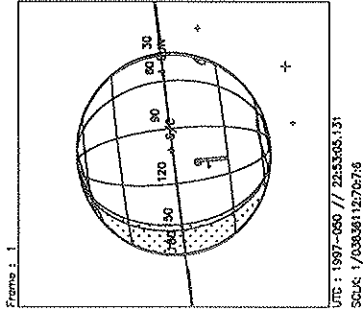
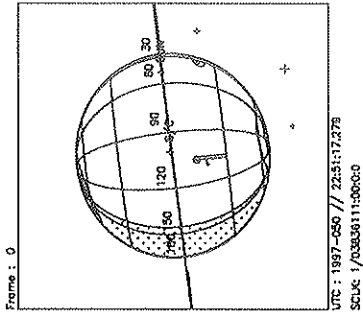
PH:/DATA/NAVIO/T-970109-TOUR.NS

ERIAPSIS:

THINNING: :UVS 1

TART:JEE 97-051/20:52:52.600 -CDS 1307:00:0

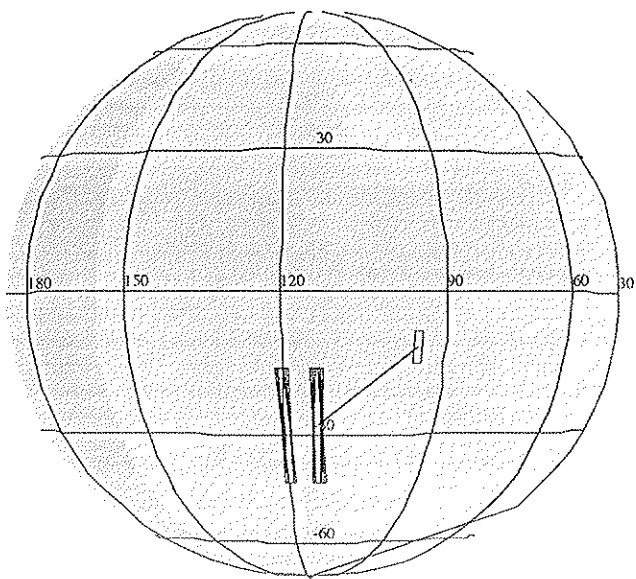
BODY PLOT TIME:TARGET-TIME D= 182 S= 0.800



Start UTC\_TIME : 1997-050 // 22:51:17.279  
End UTC\_TIME : 1997-050 // 23:07:27.946  
Start SCLK : 1/0383611:00:00  
Delta Time between FOV : 107.8520  
FOVs : N/G Channel(0.5x0.5)

Target Body : JUPITER  
Target Cone/Clock : 125.58 / 93.80 Deg  
S/C to Body Center : 1130005 Km ( 15.806028 Rj )  
Z-axis Pointing ( Ra / Dec ) : 130.30 / 18.80 Deg

<b>Activity ID:</b>	Orbit E6	OAPEL JUFTKR2E	<b>SeqNo</b>	22-			
<b>Title</b>	White oval Feature Track		<b>Instrument</b>	UVS			
<b>Requestor</b>	UVS-AWG/W.KENT TOBISKA	<b>Team</b>	UVS	<b>Working Group</b>	AWG		
<b>Time System</b>	CDS	<b>Load ID</b>	E6A	<b>Calendar Date</b>	02/19/97	<b>Week</b>	8
<b>Start</b>	JEE-CDS 1288:00:0		97-050/23:10:33.934		JEE-000/21:42:18.666		
<b>End</b>	JEE-CDS 1260:00:0		97-050/23:38:52.600		JEE-000/21:14:00.000		
<b>Duration</b>	00000028:00:0		000/00:28:18.666		000/00:28:18.666		
<b>Top Label</b>	E6JUFTKR2E22-						
<b>Bottom Label</b>	realtime						
<b>Plot Key</b>	UVS	<b>Type</b>	SCI				
<b>CDS Bytes</b>	166	<b>Report Options</b>	BOTH		<b>Scan Platform</b>	No	
<b>CDS Source</b>	OAP	<b>Spin State</b>	DUAL		<b>DMS</b>	No	
<b>Observation Objective</b>							
<p>AWG white oval BC feature track (-33/104 lat/lon) (JEE epoch), rotation 2, solar phase angle 48 deg, emission angle 2.</p> <p>Realtime observation; G/G 176 step miniscan for hydrocarbons between 1496-1755 A. Expect RTSFMT = A. Distance from Jupiter = 15 Rj.</p> <p>Last cn/ck = TBD.</p> <p>[NOTE: white ovals at 135.4, 113.7, 91.5 from IRTF on Dec 17-20]</p>							
<b>Design Detail</b>							
<pre> PSID  CDS  RIM  COMMAND  PARAMETERS 384AM  00  00  COMMT  UVS  RIM  0 157AO  38  00  CMDRS  PLAN_DUR = 27 RIMS; EST_UVS_CMDS = 2           01  01 34UVS/UVG: E3, FIXED, NORM, NORM, NORM, SAME, 0, OFF, OFF, ON, ON, OFF, NOOVR, 1, 1A, 8E, 00, 00           27  27 34UVS/OFF: C1, FIXED, NORM, NORM, NORM, SAME, 0, OFF, OFF, ON, OFF, OFF, NOOVR, 1, 2C, 05, 00, 00 165AK  36  01  TARGET  Lat/Lon = -28/113.5 (RA/Dec = 252.14/-25.91) (on white oval) 349KE  28  14+UVFLSH  PACKET, UVS (9) 165AL  36  16  TARGET  Lat/Lon = -28/120 (RA/Dec = 252.55/-25.96) (off white oval) 349KF  28  26+UVFLSH  PACKET, UVS (10)                     </pre>							




---

165AK:TT= 0 TMC= 1 C= 0.00 XC= 0.00 BS= 0/4872 TC= 1{-28 113.5 )  
 A= 182 pD= 182 SR=17.450 RA50=252.14 DEC50=-25.91 cone=126.16 clock= 91.81  
 165AL:TT= 0 TMC= 1 C= 0.00 XC= 0.00 BS= 0/7602 TC= 1{-28 120 )  
 A= 92 pD= 0 SR=17.450 RA50=252.55 DEC50=-25.96 cone=126.53 clock= 91.78

ESIGN G3.0 kent : 1/21/1997 14:41:20

FILE:P.E6JUFTKR2E22

CENTRAL BODY:JUPITER III

IN:m.E6JUFTKR2E22

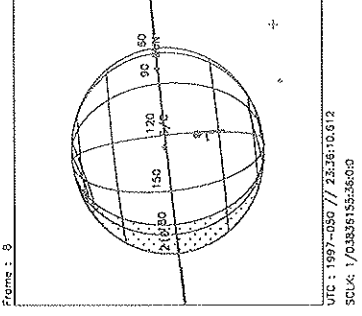
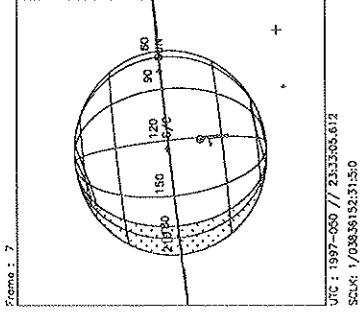
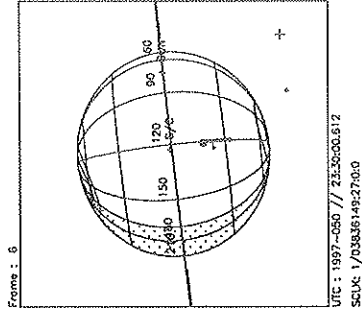
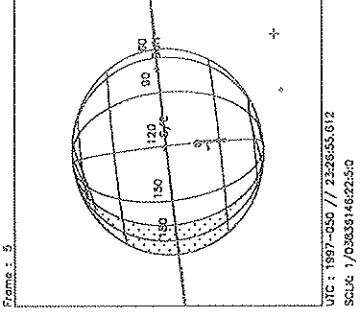
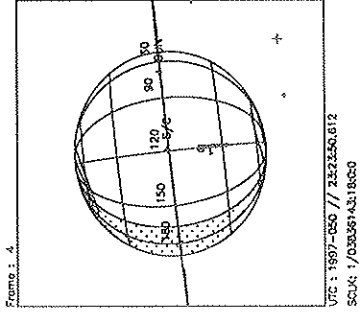
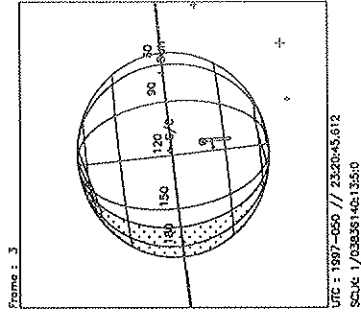
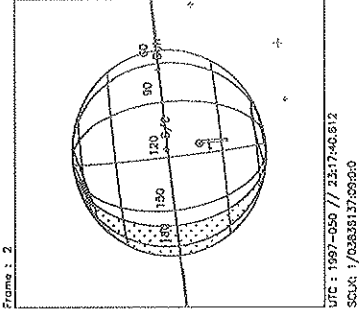
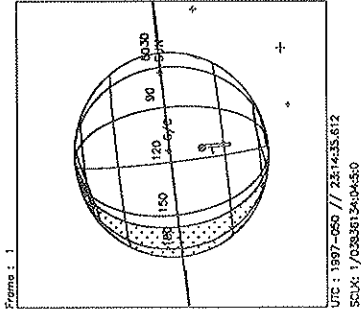
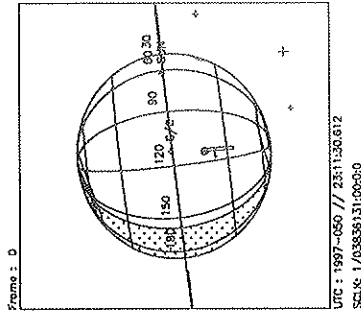
PH:/DATA/NAVIO/T-970109-TOUR.NS

ERIAPSIS:

THINNING: :UVS 1

TART:JEE 97-051/20:52:52.600 -CDS 1287:00:0

BODY PLOT TIME:TARGET-TIME D= 0 S= 0.800

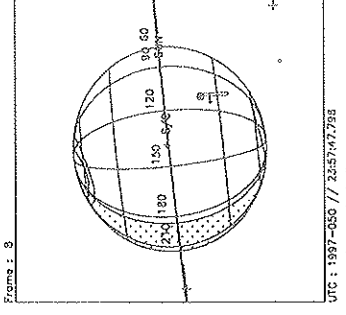
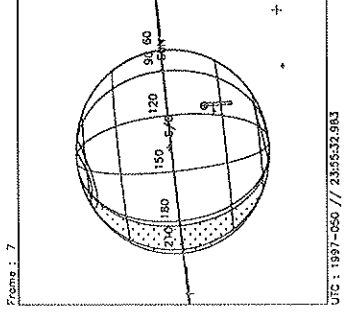
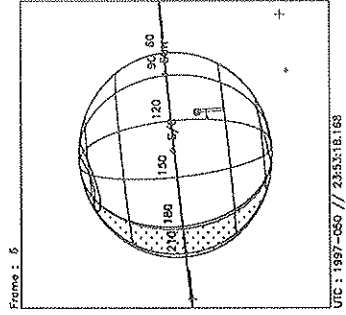
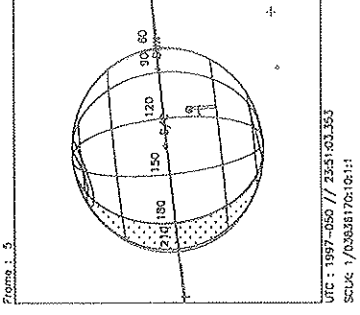
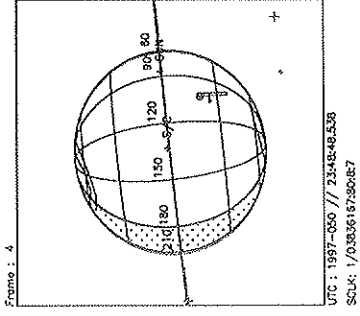
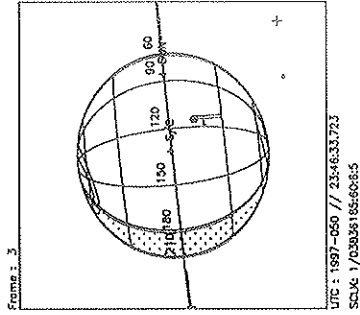
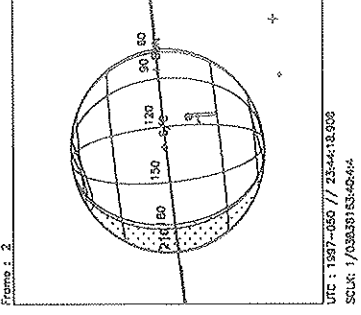
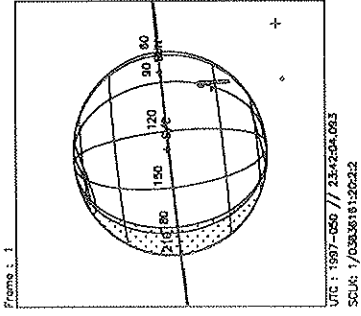
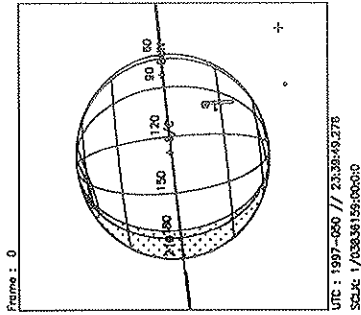


Start UTC\_TIME : 1997-050 // 23:11:30.612  
 End UTC\_TIME : 1997-050 // 23:37:47.944  
 Start SCLK : 1/03836131:00:0:0  
 Delta Time between FOV : 185.0000  
 FOVs : N/G Channel(0.5x0.5)

Target Body : JUPITER  
 Target Cone/Clock : 126.25 / 93.80 Deg  
 S/C to Body Center : 1120080. Km ( 15.667212 Rj )  
 Z-axis Pointing ( Ro / Dec ) : 130.30 / 18.80 Deg

<b>Activity ID:</b> Orbit E6	<b>OAPEL</b> JUFTKR2E	<b>SeqNo</b> 23+
<b>Title</b> White oval Feature Track		<b>Instrument</b> UVS
<b>Requestor</b> UVS-AWG/W. KENT TOBISKA	<b>Team</b> UVS	<b>Working Group</b> AWG
<b>Time System</b> CDS	<b>Load ID</b> E6A	<b>Calendar Date</b> 02/19/97 <b>Week</b> 8
<b>Start</b> JEE-CDS 1260:00:0	97-050/23:38:52.600	JEE-000/21:14:00.000
<b>End</b> JEE-CDS 1238:00:0	97-051/00:01:07.267	JEE-000/20:51:45.333
<b>Duration</b> 00000022:00:0	000/00:22:14.667	000/00:22:14.667
<b>Top Label</b> E6JUFTKR2E23+		
<b>Bottom Label</b> realtime		
<b>Plot Key</b> UVS	<b>Type</b> SCI	
<b>CDS Bytes</b> 122	<b>Report Options</b> BOTH	<b>Scan Platform</b> No
<b>CDS Source</b> OAP	<b>Spin State</b> DUAL	<b>DMS</b> No
<b>Observation Objective</b>		
<p>AWG white oval BC feature track (-33/104 lat/lon) (JEE epoch), rotation 2, solar phase angle 48 deg, emission angle 2; ridealong with NIMS (E6JNFEA04803, E6JNPFTA4802, E6JNPFTB4802).</p> <p>Realtime observation; G/G 176 step miniscan for hydrocarbons between 1496-1755 A. Expect RTSFMT = A. Distance from Jupiter = 15 Rj.</p> <p>Last cn/ck = TBD.</p> <p>[NOTE: white ovals at 135.4, 113.7, 91.5 from IRTF on Dec 17-20]</p>		
<b>Design Detail</b>		
<pre> PSID  CDS  RIM  COMMAND  PARAMETERS 384AN  00  00  COMMNT  UVS  RIM  0 157AL  38  00  CMDRS   PLAN_DUR = 21 RIMS; EST_UVS_CMDS = 2           01  01 34UVS/UVG: E3, FIXED, NORM, NORM, NORM, SAME, 0, OFF, OFF, ON, ON, OFF, NOOVR, 1, 1A, 8E, 00, 00           21  21 34UVS/OFF: C1, FIXED, NORM, NORM, NORM, SAME, 0, OFF, OFF, ON, OFF, OFF, NOOVR, 1, 2C, 05, 00, 00 165DL  00  01  TARGET  (4803) (RA/Dec = 251.26/-26.06) 117DL  00  01  CSMOS 349KG  28  05+UVFLSH PACKET, UVS (1) 165DM  00  07  TARGET  (A4802) (RA/Dec = 252.14/-25.69) 117DM  00  08  CSMOS 349KH  28  12+UVFLSH PACKET, UVS (2) 165DN  00  14  TARGET  (B4802) (RA/Dec = 252.13/-25.72) 117DN  00  15  CSMOS 349KI  28  20+UVFLSH PACKET, UVS (3)           </pre>		



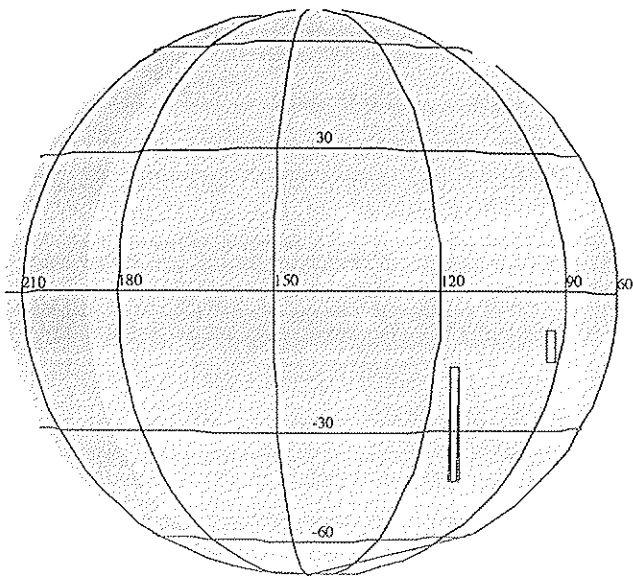


Start UTC\_TIME : 1997-050 // 23:39:49.278  
End UTC\_TIME : 1997-051 // 00:00:02.610  
Start SCLK : 1/03836159:00:0  
Delta Time between FOV : 134.8150  
FOVs : N/G Channel(0.5x0.5)

Target Body : JUPITER  
Target Cone/Clock : 127.19 / 93.80 Deg  
S/C to Body Center : 1106192. Km ( 15.472950 Rj )  
Z-axis Pointing ( Ro / Dec ) : 130.30 / 18.80 Deg

<b>Activity ID:</b> Orbit E6		<b>OAPEL</b> JUFTKR2E		<b>SeqNo</b> 32-	
<b>Title</b>		White oval Feature Track		<b>Instrument</b> UVS	
<b>Requestor</b>		UVS-AWG/W. KENT TOBISKA		<b>Team</b> UVS	
				<b>Working Group</b> AWG	
<b>Time System</b> CDS		<b>Load ID</b> E6A		<b>Calendar Date</b> 02/20/97	
				<b>Week</b> 8	
<b>Start</b>		JEE-CDS 1238:00:0		97-051/00:01:07.267	
				JEE-000/20:51:45.333	
<b>End</b>		JEE-CDS 1233:00:0		97-051/00:06:10.600	
				JEE-000/20:46:42.000	
<b>Duration</b>		00000005:00:0		000/00:05:03.333	
				000/00:05:03.333	
<b>Top Label</b>		E6JUFTKR2E32-			
<b>Bottom Label</b>		realtime			
<b>Plot Key</b>		UVS		<b>Type</b> SCI	
<b>CDS Bytes</b>		102		<b>Report Options</b> BOTH	
				<b>Scan Platform</b> No	
<b>CDS Source</b>		OAP		<b>Spin State</b> DUAL	
				<b>DMS</b> No	
<b>Observation Objective</b>					
<div style="border: 1px solid black; width: 150px; height: 100px; display: inline-block; vertical-align: top; margin-right: 10px;"></div> <p>AWG white oval BC feature track (-33/104 lat/lon) (JEE epoch), rotation 2, solar phase angle 48 deg, emission angle 3.</p> <p>Realtime observation; G/G 176 step miniscan for hydrocarbons between 1496-1755 A. Expect RTSFMT = A. Distance from Jupiter = 15 Rj.</p> <p>Last cn/ck = TBD.</p> <p>[NOTE: white ovals at 135.4, 113.7, 91.5 from IRTF on Dec 17-20]</p>					
<b>Design Detail</b>					
<pre> PSID  CDS  RIM  COMMAND  PARAMETERS 384AR  00  00  COMMNT  UVS RIM 0 157AM  38  00  CMDRS   PLAN_DUR = 5 RIMS; EST_UVS_CMDS = 2           01  01 34UVS/UVG: E3, FIXED, NORM, NORM, NORM, SAME, 0, OFF, OFF, ON, ON, OFF, NOOVR, 1, 1A, 8E, 00, 00           05  05 34UVS/OFF: C1, FIXED, NORM, NORM, NORM, SAME, 0, OFF, OFF, ON, OFF, OFF, NOOVR, 1, 2C, 05, 00, 00 165AM  36  01  TARGET  Lat/Lon = -28/113.9 (RA/Dec = 252.17/-25.93) 349KJ  28  04+UVFLSH PACKET, UVS (1)                 </pre>					

887 = 88 - 97




---

165AM:TT= 0 TMC= 1 C= 0.00 XC= 0.00 BS= 0/3972 TC= 1(-28 113.9 )  
 A= 182 pD= 182 SR=17.450 RA50=252.17 DEC50=-25.93 cone=126.19 clock= 91.79

ESIGN G3.0 kent : 1/21/1997 14:43:29

FILE:P.E6JUFTKR2E32

CENTRAL BODY:JUPITER III

FILE:m.E6JUFTKR2E32

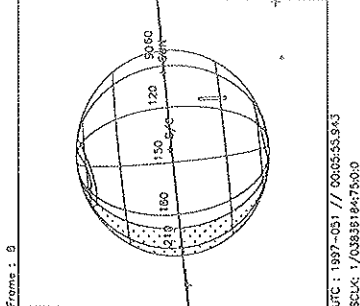
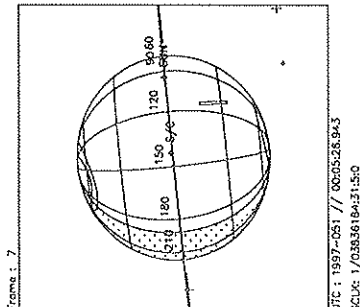
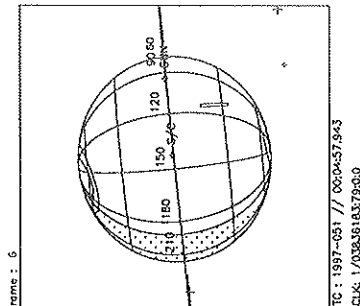
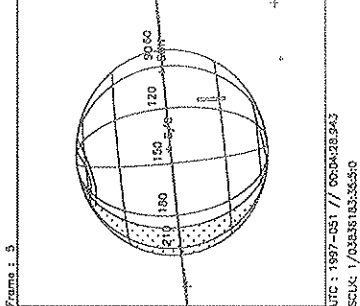
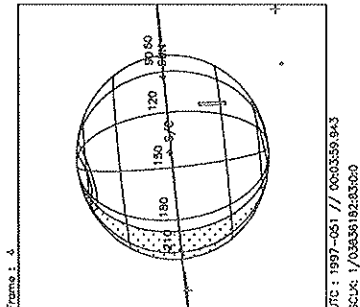
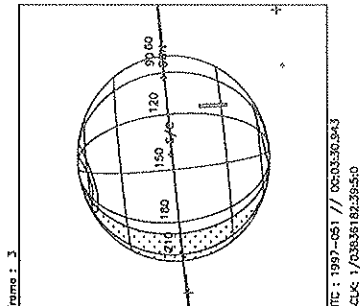
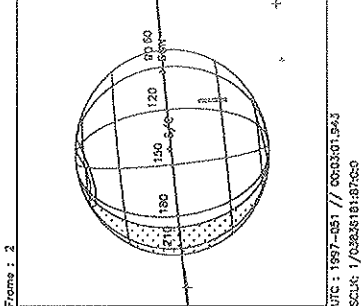
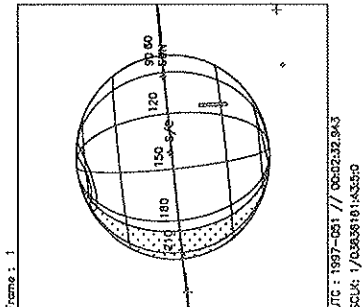
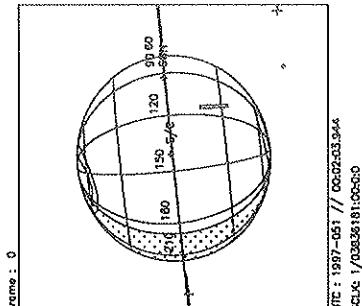
FILE:PH:/DATA/NAVIO/T-970109-TOUR.NS

ERRIAPSIS:

THINNING: :UVS 1

START:JEE 97-051/20:52:52.600 -CDS 1237:00:0

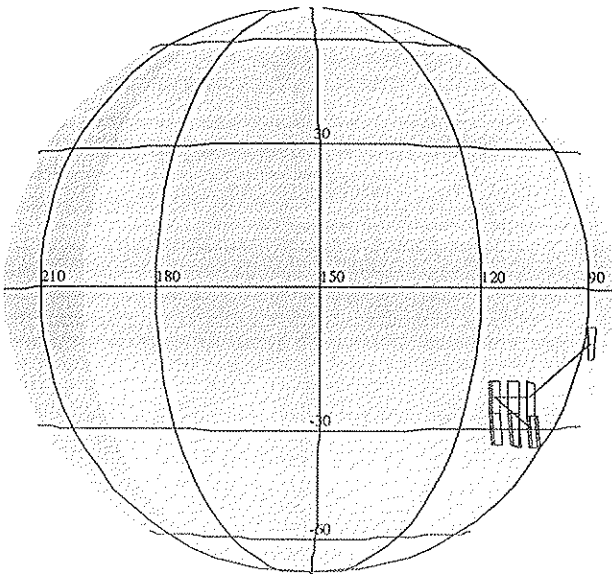
BODY PLOT TIME:TARGET-TIME D= 182 S= 0.800



Start UTC\_TIME : 1997-051 // 00:02:03.944  
No End Time :  
Start SCLK : 1/03836181:00:00

Target Body : JUPITER  
Target Cone/Clock : 127.95 / 93.80 Deg  
S/C to Body Center : 1095287. Km ( 15.320416 Rj )  
Z-axis Pointing ( Ra / Dec ) : 130.30 / 18.80 Deg

<b>Activity ID:</b>	Orbit E6	OAPEL JUFTKR2E	<b>SeqNo</b>	31-			
<b>Title</b>	White oval Feature Track		<b>Instrument</b>	UVS			
<b>Requestor</b>	UVS-AWG/W.KENTTOBISKA	<b>Team</b>	UVS	<b>Working Group</b>	AWG		
<b>Time System</b>	CDS	<b>Load ID</b>	E6A	<b>Calendar Date</b>	02/20/97	<b>Week</b>	8
<b>Start</b>	JEE-CDS 1223:00:0		97-051/00:16:17.267		JEE-000/20:36:35.333		
<b>End</b>	JEE-CDS 1210:00:0		97-051/00:29:25.934		JEE-000/20:23:26.666		
<b>Duration</b>	00000013:00:0		000/00:13:08.667		000/00:13:08.667		
<b>Top Label</b>	E6JUFTKR2E31-						
<b>Bottom Label</b>	realtime						
<b>Plot Key</b>	UVS	<b>Type</b>	SCI				
<b>CDS Bytes</b>	333	<b>Report Options</b>	BOTH		<b>Scan Platform</b>	No	
<b>CDS Source</b>	OAP	<b>Spin State</b>	DUAL		<b>DMS</b>	No	
<b>Observation Objective</b>							
<div style="border: 1px solid black; width: 150px; height: 100px; display: inline-block; vertical-align: top;"></div> <p>AWG white oval BC feature track (-33/104 lat/lon) (JEE epoch), rotation 2, solar phase angle 48 deg, emission angle 3; follows SSI (E6JSWHTOVL04) 4x2.</p> <p>Realtime observation; full F/F scan and setup for G/G 176 step miniscan for hydrocarbons between 1496-1755 A. Expect RTSFMP = A. Distance from Jupiter = 15 Rj.</p> <p>Last cn/ck = TBD.</p> <p>[NOTE: white ovals at 135.4, 113.7, 91.5 from IRTF on Dec 17-20]</p>							
<b>Design Detail</b>							
<pre> PSID  CDS  RIM  COMMAND  PARAMETERS 384AQ  00  00  COMMNT  UVS  RIM  0 349KK  28  -01+UVFLSH  DISCRD,UVS 157AN  38  00  CMDRS  PLAN_DUR = 13 RIMS; EST_UVS_CMDS = 2       01  1 34UVS/UVF: 07, SCAN, NORM, NORM, NORM, SAME, 0, ON, OFF, OFF, ON, OFF, NOOVR, 1, 00, 9C, 00, 00       13  13 34UVS/OFF: C1, FIXED, NORM, NORM, NORM, SAME, 0, OFF, OFF, ON, OFF, OFF, NOOVR, 1, 2C, 05, 00, 00 165AN  36  01  TARGET  Lat/Lon = -23/104 (RA/Dec = 251.72/-25.59) 117AN  63  01  CSMOS  3 subcsmos; 3 slews, 1 repo, 2 slews 349KL  28  01+UVFLSH  PACKET,UVS (2) 349KM  28  03+UVFLSH  PACKET,UVS (3) 349KN  28  05+UVFLSH  PACKET,UVS (4) 349KO  28  07+UVFLSH  PACKET,UVS (5) 349KP  28  09+UVFLSH  PACKET,UVS (6) 349KQ  28  11+UVFLSH  PACKET,UVS (7)                     </pre>							



165AN:TT= 0 TMC= 1 C= 0.00 XC= 0.00 BS= 0/6702 TC= 1(-23 104 )  
 A= 182 pD= 182 SR=17.450 RA50=251.72 DEC50=-25.59 cone=125.75 clock= 92.15  
 117AN:#SB= 3 OR= 1.000 RR=12.000 BM=F RC= 1 BS= 0/6702  
 1:#s= 3 Cs= 0.00 XCs= 0.00 Cr= 4.00 XCr= 0.00 sD= 272 rD= 92  
 2:#s= 1 Cs= 0.00 XCs= 0.00 Cr= -7.00 XCr= -7.00 sD= 272 rD= 92  
 3:#s= 2 Cs= 0.00 XCs= 0.00 Cr= 4.00 XCr= 0.00 sD= 272 rD= 92

ESIGN G3.0 kent : 1/21/1997 14:44: 7

ILE:P.E6JUFTKR2E31

ENTRAL BODY:JUPITER III

INI:m.E6JUFTKR2E31

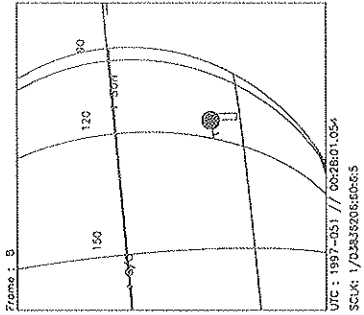
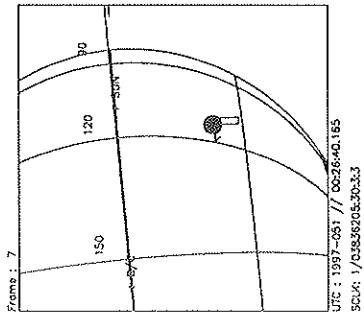
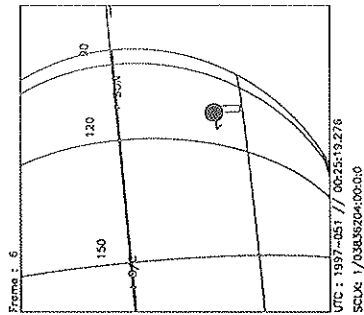
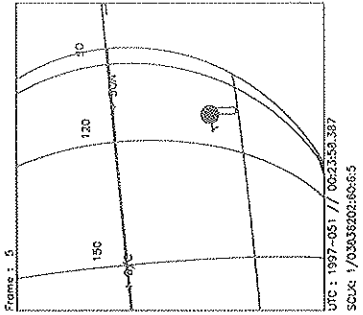
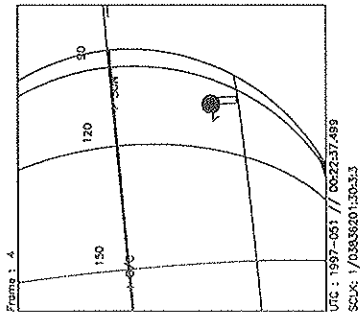
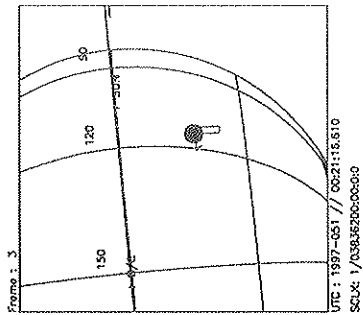
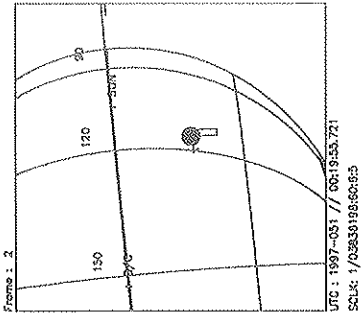
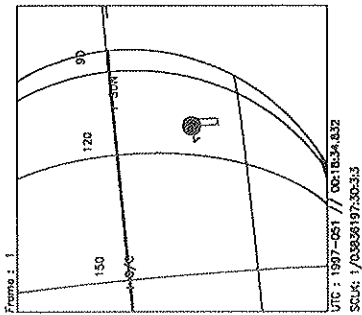
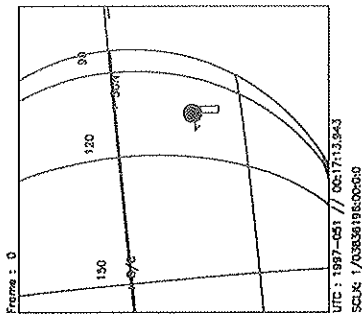
:PH:/DATA/NAVIO/T-970109-TOUR.NS

ERIAPSIS:

THINNING: :UVS 1

TART:JEE 97-051/20:52:52.600 -CDS 1222:00:0

BODY PLOT TIME:TARGET-TIME D= 182 S= 0.800



Start UTC\_TIME : 1997-051 // 00:17:13.943  
End UTC\_TIME : 1997-051 // 00:29:21.942  
Start SCLK : 1/03836196:00:00  
Delta Time between FOV : 80.88889  
FOVs : F\_Channel(0.1x0.4)

Target Body : JUPITER  
Target Cone/Clock : 128.48 / 93.79 Deg  
S/C to Body Center : 1087857. Km ( 15.216482 Rj )  
Z-axis Pointing ( Ro / Dec ) : 130.30 / 18.80 Deg