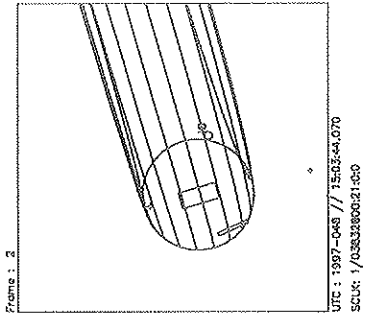
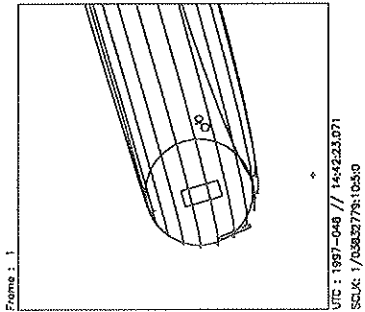
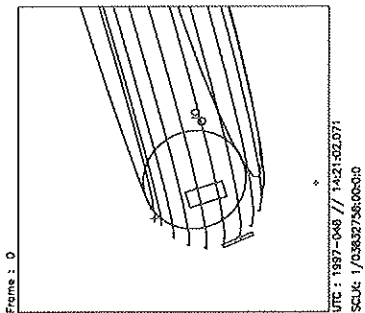
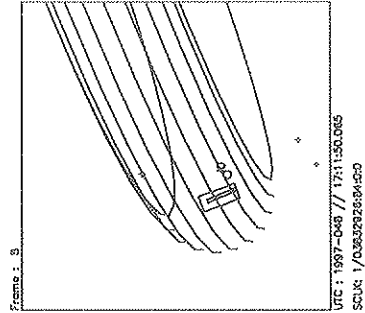
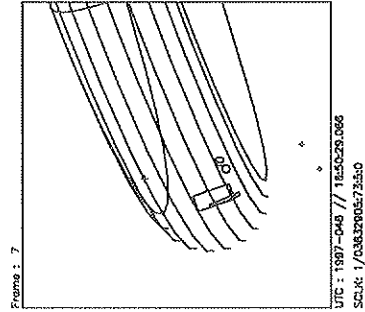
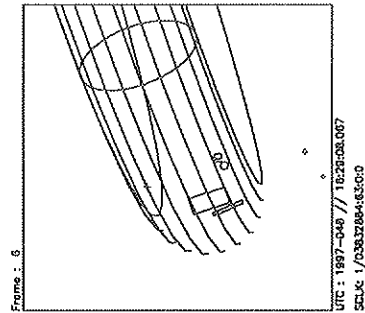
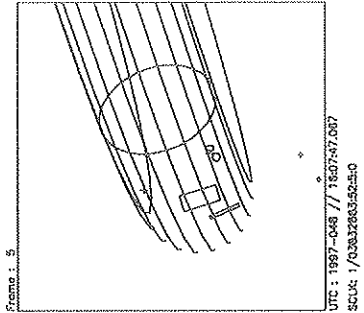
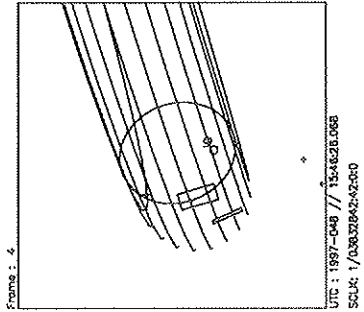
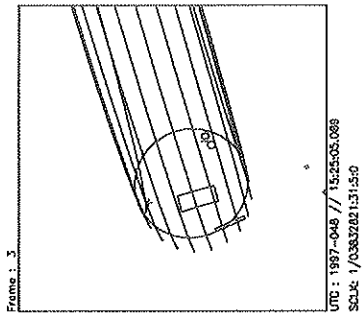


Activity ID:	Orbit E6	OAPEL TUE6MANS	SeqNo	01-
Title	UVS/EUV MDNT ANSA MAP 1, LO RATE E6 INBD		Instrument	UVS
Requestor	UVS-MWG/S.STEPHENS	Team	UVS	Working Group MWG
Time System	CDS	Load ID	E6A	Calendar Date 02/17/97 Week 7
Start	JEE-CDS 00004664:00:0		97-048/14:17:03.267	JEE-003/06:35:49.333
End	JEE-CDS 00004540:00:0		97-048/16:22:25.934	JEE-003/04:30:26.666
Duration	00000124:00:0		000/02:05:22.667	000/02:05:22.667
Top Label	E6TUE6MANS01-			
Bottom Label	(UVS/EUV RTS Torus)			
Plot Key	UVS	Type	SCI	
CDS Bytes	214	Report Options	BOTH	Scan Platform Yes
CDS Source	PA	Spin State	DUAL	DMS No
Observation Objective				
<p>UVS/EUV IO TORUS MIDNIGHT ANSA MAP 1, LOW RATE, E6 INBOUND: From: 6.66 Rj (inside Europa) at cone 90 (ribbon at 5.76 Rj, Sys III W Long 88) To: 6.07 Rj at cone 90 Data rate: Instrument states last 60 RIMS; thus, 4.87 bps UVS, 4.87 bps EUV OPTRTM/UVFLUSH STRATEGY (17,712 bits per UVS or EUV PACKET): UVS/EUV deselected; thus, 60-RIM UVFLUSHes needed to PACKET BOTH, after initial DISCRD WAVELENGTHS (Angstroms): Emission lines: UVS (S+ 1259, S+ 4070), EUV (S++ 685, S+ 765, O+ 834) 2POSN-22STEP N/G MINISCAN (UVS): N 4040.9-4098.7 (CTR 4071.2, STEP 436) [EVEN FRAMES], G 1239.8-1272.1 (CTR 1256.7, STEP 81) [ODD FRAMES] 2POSN-1STEP N/N MINISCAN (UVS): N 4049.2 (STEP 428) [EVEN</p>				
Design Detail				
PSID	RIM:mf	CDS PA		
384BA	0	0	COMMENT [UVS RIM 0]	
432BA	3	56	OPTRTM [UVS EXCLUDE, EUV EXCLUDE]	
157BA	3	38	CMDRS (10+14*2) [PLAN DUR 61, EST UVS CMDS 2]	
349BA	3:69	28	UVFLUSH [6UVRT, DISCRD, BOTH]	
165BA	4	36	TARGET [CONE 90.00, CLOCK 94.17, POSITION SLEW ALLOCATION 4]	
	4		34UVS,D3,F,N,N,N,S,0,OFF,ON,ON,ON,OFF,NO,1,D5,4E,05,63 [22STEP N/G]	
349BB	62:69	28	UVFLUSH [6UVRT, PACKET, BOTH]	
	64		34UVS,C1,F,N,N,N,S,0,OFF,ON,OFF,ON,OFF,NO,1,D8,06,00,08 [1STEP N/N]	
349BC	122:69	28	UVFLUSH [6UVRT, PACKET, BOTH]	

Handwritten scribble

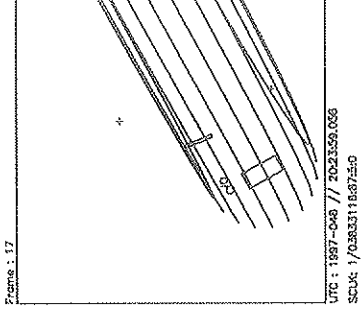
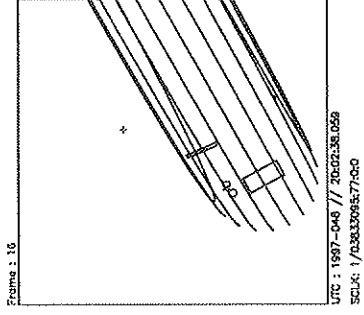
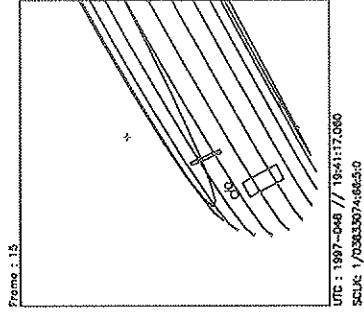
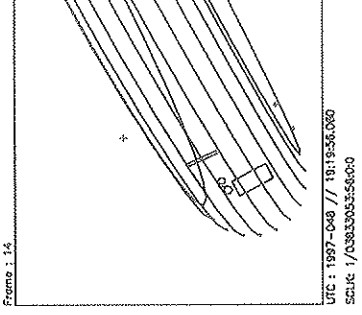
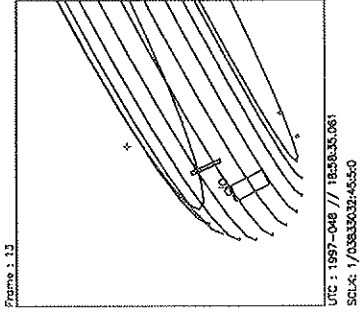
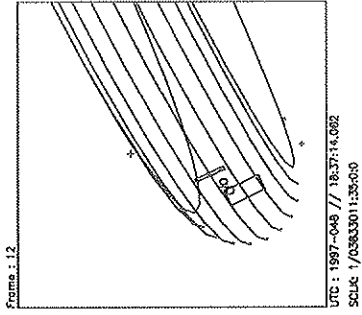
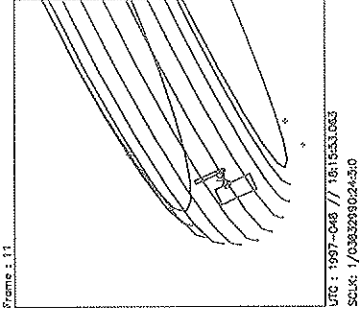
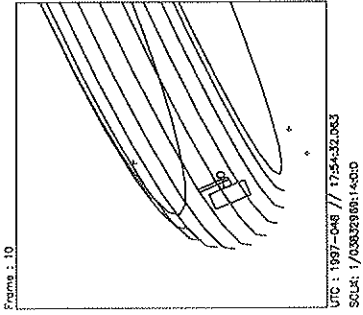
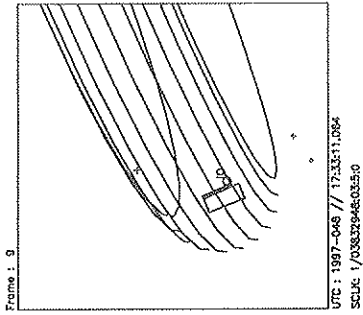


MIDNIGHT ANSA 01-03



Start UTC.TIME : 1997-048 // 14:21:02.071
No End Time :
Start SCLK : 1/03632758:00:00

Target Body : JUPITER
Target Cone/Clock : 79.33 / 93.89 Deg
S/C to Body Center : 2558777. Km (35.791089 Rj)
Z-axis Pointing (Ro / Dec) : 130.30 / 18.80 Deg

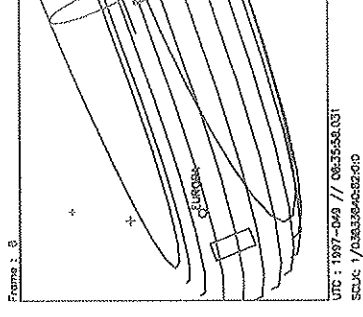
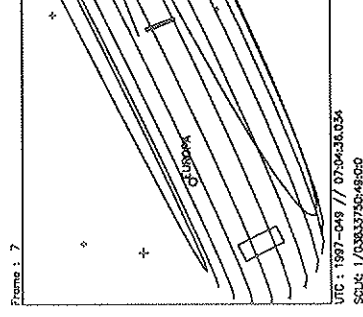
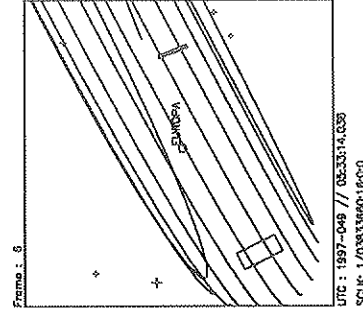
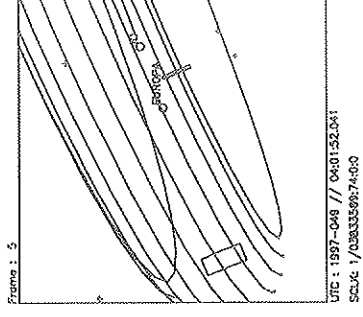
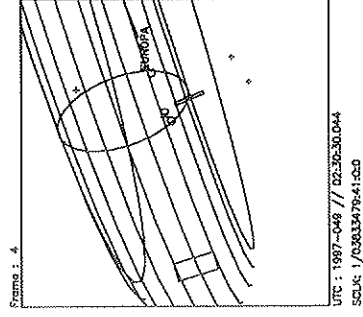
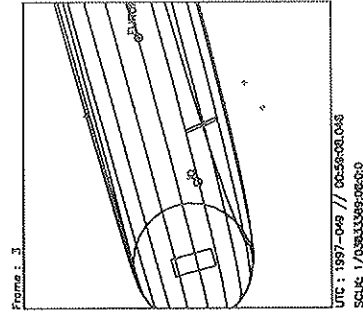
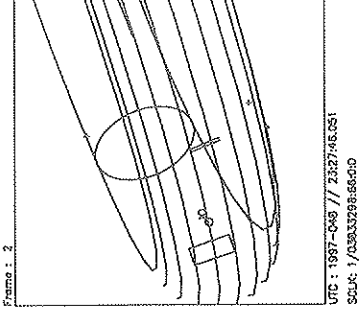
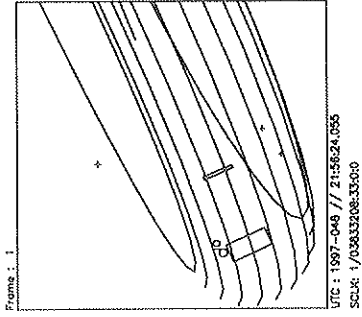
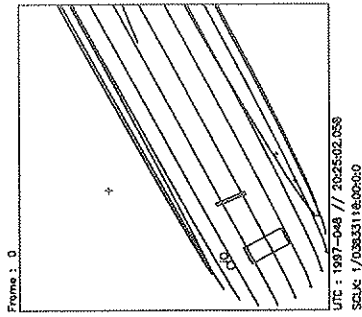


Start UTC_TIME : 1997-048 // 14:21:02.071
No End Time :
Start SCLK : 1/03832758:00:0:0

Target Body : JUPITER
Target Cone/Clock : 80.58 / 93.88 Deg
S/C to Body Center : 2491670. Km (34.852431 Ri)
Z-axis Pointing (Ro / Dec) : 130.30 / 18.80 Deg

Activity ID: Orbit E6		OAPEL TUE6MANS		SeqNo 03-	
Title		UVS/EUV MDNT ANSA MAP 3, LO RATE E6 INBD		Instrument UVS	
Requestor		UVS-MWG/S.STEPHENS		Team UVS	
				Working Group MWG	
Time System CDS		Load ID E6A		Calendar Date 02/17/97	
				Week 7	
Start		JEE-CDS 00004420:00:0		97-048/18:23:45.934	
				JEE-003/02:29:06.666	
End		JEE-CDS 00004300:00:0		97-048/20:25:05.934	
				JEE-003/00:27:46.666	
Duration		00000120:00:0		000/02:01:20.000	
				000/02:01:20.000	
Top Label		E6TUE6MANS03-			
Bottom Label		(UVS/EUV RTS Torus)			
Plot Key		UVS		Type SCI	
CDS Bytes		94		Report Options BOTH	
				Scan Platform Yes	
CDS Source		PA		Spin State DUAL	
				DMS No	
Observation Objective					
<div style="border: 1px solid black; padding: 5px;"> <p>UVS/EUV IO TORUS MIDNIGHT ANSA MAP 3, LOW RATE, E6 INBOUND: From: 5.49 Rj at cone 90 (ribbon at 5.76 Rj, Sys III W Long 88) To: 4.90 Rj (inside ribbon) at cone 90 Data rate: Instrument states last 60 RIMS; thus, 4.87 bps UVS, 4.87 bps EUV OPTRTM/UVFLUSH STRATEGY (17,712 bits per UVS or EUV PACKET): UVS/EUV deselected; thus, 60-RIM UVFLUSHes needed to PACKET BOTH WAVELENGTHS (Angstroms): Emission lines: UVS (S+ 1259, S+ 4070), EUV (S++ 685, S+ 765, O+ 834) 2POSN-22STEP N/G MINISCAN (UVS): N 4040.9-4098.7 (CTR 4071.2, STEP 436) [EVEN FRAMES], G 1239.8-1272.1 (CTR 1256.7, STEP 81) [ODD FRAMES] 2POSN-1STEP N/N MINISCAN (UVS): N 4049.2 (STEP 428) [EVEN FRAMES], N 4071.2 (STEP 436) [ODD FRAMES]</p> </div>					
Design Detail					
PSID	RIM:mE	CDS	PA		
384BC	-1	0		COMMENT [UVS RIM 0]	
157BC	-1	38		CMDRS (10+14*2) [PLAN DUR 61, EST UVS CMDS 2]	
		0		34UVS,C1,F,N,N,N,S,0,OFF,ON,OFF,ON,OFF,NO,1,D8,06,00,08 [1STEP N/N]	
349BH	58:69	28		UVFLUSH [6UVRT, PACKET, BOTH]	
	60			34UVS,D3,F,N,N,N,S,0,OFF,ON,ON,ON,OFF,NO,1,D5,4E,05,63 [22STEP N/G]	
349BI	118:69	28		UVFLUSH [6UVRT, PACKET, BOTH]	

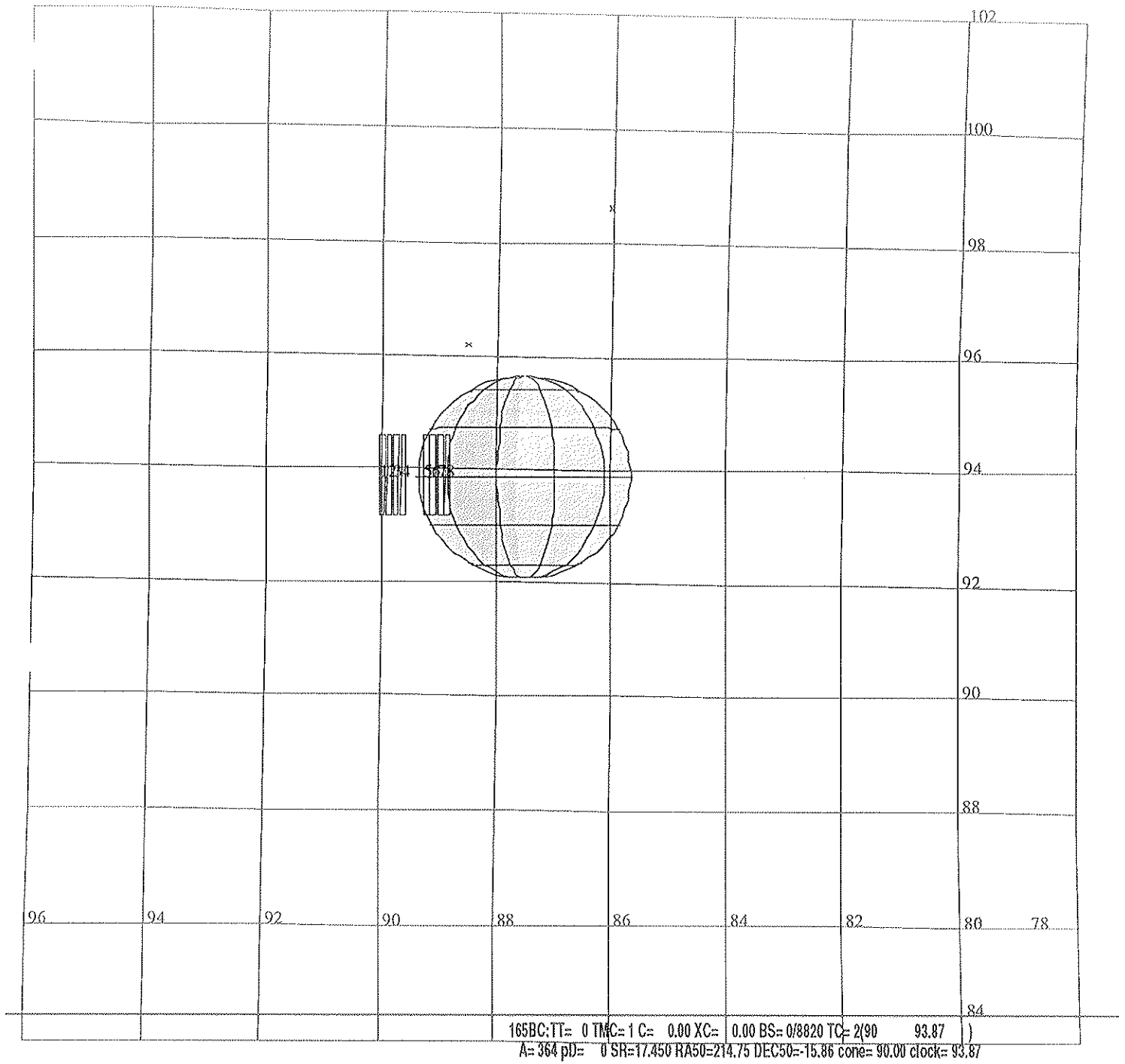
Activity ID: Orbit E6		OAPEL TUE6MANS		SeqNo 04-	
Title	UVS/EUV MDNT ANSA MAP 4, LO RATE E6 INBD			Instrument	UVS
Requestor	UVS-MWG/S.STEPHENS	Team	UVS	Working Group	MWG
Time System	CDS	Load ID	E6A	Calendar Date	02/17/97 Week 7
Start	JEE-CDS 00004300:00:0		97-048/20:25:05.934		JEE-003/00:27:46.666
End	JEE-CDS 00003638:00:0		97-049/07:34:27.267		JEE-002/13:18:25.333
Duration	00000662:00:0		000/11:09:21.333		000/11:09:21.333
Top Label	E6TUE6MANS04-				
Bottom Label	(UVS/EUV RTS Torus)				
Plot Key	UVS	Type	SCI		
CDS Bytes	483	Report Options	BOTH	Scan Platform	Yes
CDS Source	PA	Spin State	DUAL	DMS	No
Observation Objective					
<div style="border: 1px solid black; padding: 5px;"> <p>UVS/EUV IO TORUS MIDNIGHT ANSA MAP 4, LOW RATE (COLD TORUS), E6 INBOUND: From: 4.90 Rj (inside ribbon) at cone 90 (ribbon at 5.76 Rj, Sys III W Long 88) To: 1.70 Rj (outside Jupiter) at cone 90 Data rate: Instrument states usually last 60 RIMS; thus, 4.87 bps UVS, 4.87 bps EUV OPTRM/UVFLUSH STRATEGY (17,712 bits per UVS or EUV PACKET): UVS/EUV deselected; thus, 60-RIM UVFLUSHes needed to PACKET BOTH, after initial DISCRD WAVELENGTHS (Angstroms): Emission lines: EUV (S++ 685, S+ 765, O+ 834, H2 1216), UVS (S++ 1194, H2 1216, S+ 1259, S+ 4070) 2POSN-22STEP N/G MINISCAN (UVS): N 4040.9-4098.7 (CTR 4071.2, STEP 436) [EVEN FRAMES], G 1239.8-1272.1 (CTR 1256.7, STEP 81) [ODD FRAMES]</p> </div>					
Design Detail					
PSID	RIM:mf	CDS	PA		
384BD	0	0		COMMENT [UVS RIM 0]	
61BA	0	37		LOOPER [LOOP PERIOD 60, NUM LOOPS 7]	
157BD	1	38		CMDRS (10+14*2) [PLAN DUR 21, EST UVS CMDS 2]	
349MI	1:69	28		UVFLUSH [6UVRT, DISCRD, BOTH]	
165BB	2	36		TARGET [CONE 90.00, CLOCK 93.05, POSITION SLEW ALLOCATION 2]	
	2			34UVS,C1,F,N,N,N,S,0,OFF,OFF,ON,OFF,OFF,NO,1,2C,05,00,00 [HVOFF]	
	22			34UVS,D3,F,N,N,N,S,0,OFF,ON,ON,ON,OFF,NO,1,D5,4E,05,63 [22STEP N/G]	
349MJ	60:69	196		UVFLUSH (28*7) [6UVRT, PACKET, BOTH]	
...	MK...	MN,BJ,MO		... [REPEAT 6 ADDITIONAL TIMES]	
61BE	420	37		LOOPER [LOOP PERIOD 60, NUM LOOPS 4]	
351BB	421	21		EUVCMD [TARGET BODY TORUS]	
	421			24EUV,N,C,3,3E,C,A,18 [STARTING STEP 62, 10 SCANS/SECTOR, 24 SECTORS]	
157MB	421	38		CMDRS (10+14*2) [PLAN DUR 21, EST UVS CMDS 2]	
	422			34UVS,C1,F,N,N,N,S,0,OFF,OFF,ON,OFF,OFF,NO,1,2C,05,00,00 [HVOFF]	
	442			34UVS,DD,F,N,N,N,S,0,OFF,OFF,ON,ON,OFF,NO,1,48,75,00,00 [66STEP G]	
349BK	660:69	28		UVFLUSH [6UVRT, PACKET, BOTH]	
157BE	661	24		CMDRS (10+14*1) [PLAN DUR 1, EST UVS CMDS 1]	
	662			34UVS,C1,F,N,N,N,S,0,OFF,OFF,ON,OFF,OFF,NO,1,2C,05,00,00 [HVOFF]	



Start UTC_TIME : 1997-048 // 20:25:02.058
 No End Time :
 Start SCLK : 1/03833118:00:0:0

Target Body : JUPITER
 Target Cone/Clock : 81.76 / 93.88 Deg
 S/C to Body Center : 2430413. Km (33.995593 Ri)
 Z-axis Pointing (Rc / Dec) : 130.30 / 18.80 Deg

Activity ID: Orbit E6		OAPEL JUE6AURA		SeqNo 01-	
Title	UVS/EUV AURORA MAP 1, LO RATE E6 INBD			Instrument	UVS
Requestor	UVS-MWG/S.STEPHENS	Team	UVS	Working Group	MWG
Time System	CDS	Load ID	E6A	Calendar Date	02/18/97 Week 8
Start	JEE-CDS 00003575:00:0		97-049/08:38:09.267		JEE-002/12:14:43.333
End	JEE-CDS 00003453:00:0		97-049/10:41:30.600		JEE-002/10:11:22.000
Duration	00000122:00:0		000/02:03:21.333		000/02:03:21.333
Top Label	E6JUE6AURA01-				
Bottom Label	(UVS/EUV RTS Aurora)				
Plot Key	UVS	Type	SCI		
CDS Bytes	186	Report Options	BOTH	Scan Platform	Yes
CDS Source	PA	Spin State	DUAL	DMS	No
Observation Objective					
<div style="border: 1px solid black; padding: 5px;"> <p>UVS/EUV JUPITER AURORA MAP 1 (DARK SIDE EQUATOR), LOW RATE, E6 INBOUND: From: 1.2 Rj (outside Jupiter) at cone 90, TARGETing Jupiter equator To: 0.9 Rj at cone 90, dark limb Data rate: Instrument states last 60 or 120 RIMS; thus, 4.87 bps UVS, 2.43 bps EUV OPTRM/UVFLUSH STRATEGY (17,712 bits per UVS or EUV PACKET): UVS/EUV deselected; thus, 60- or 120-RIM UVFLUSHes needed to PACKET, after initial DISCRD WAVELENGTHS (Angstroms): Emission lines: UVS (H2 1253, H2 1611) 2POSN-88STEP G/G (UVS): G 1131.5-1265.9 (CTR 1199.7, STEP 44) [EVEN FRAMES], G 1199.7-1333.4 (CTR 1267.5, STEP 88) [ODD FRAMES] Strategy for MINISCANS: Use 2POSN-88STEP G/G for equatorial</p> </div>					
Design Detail					
PSID	RIM:mf	CDS	PA		
384BF	0	0		COMMENT [UVS RIM 0]	
157BF	1	66		CMDRS (10+14*4) [PLAN DUR 121, EST UVS CMDS 4]	
349BL	1:69	28		UVFLUSH [6UVRT, DISCRD, BOTH]	
165BC	2	36		TARGET [CONE 90.00, CLOCK 93.87, POSITION SLEW ALLOCATION 2]	
	2			34UVS,DF,F,N,N,N,S,0,OFF,OFF,ON,ON,OFF,NO,1,2C,7D,00,2C [88STEP G/G]	
	42			34UVS,C1,F,N,N,N,S,0,OFF,OFF,ON,OFF,OFF,NO,1,2C,05,00,00 [HVOFF]	
349BM	60:69	28		UVFLUSH [6UVRT, PACKET, UVS]	
	82			34UVS,DF,F,N,N,N,S,0,OFF,OFF,ON,ON,OFF,NO,1,2C,7D,00,2C [88STEP G/G]	
349BN	120:69	28		UVFLUSH [6UVRT, PACKET, BOTH]	
	122			34UVS,C1,F,N,N,N,S,0,OFF,OFF,ON,OFF,OFF,NO,1,2C,05,00,00 [HVOFF]	



TARGET G2.0 jmart:12/20/1996 17: 8: 5

FILE:P.E6JUE6AURA01

CENTRAL BODY:JUPITER

INIT:m.target

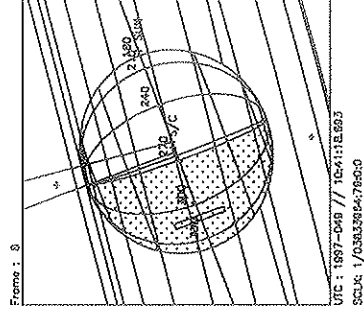
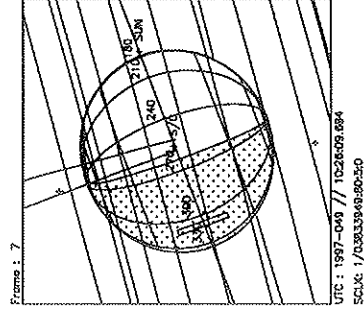
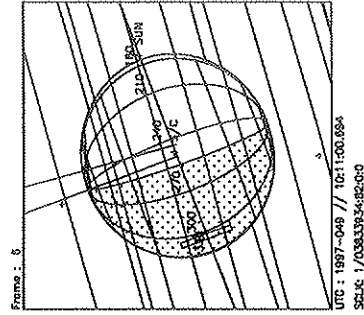
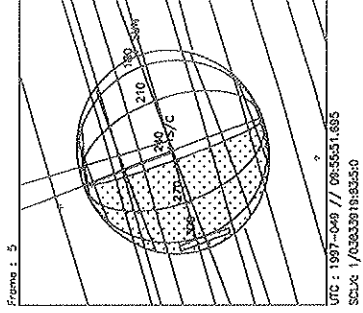
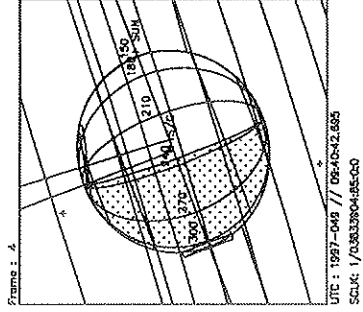
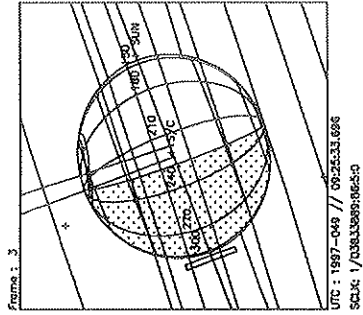
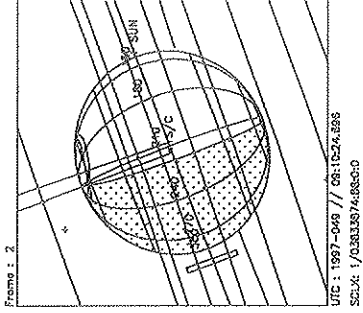
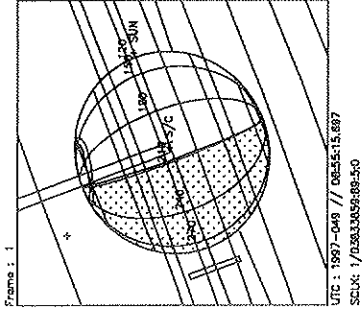
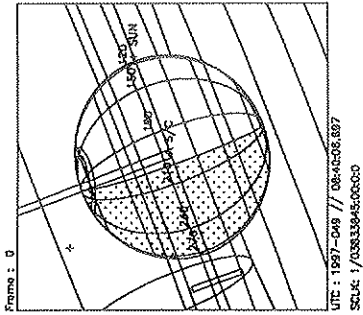
EPH:/DATA/NAVIO/T-961107-TOUR.NS

ERIAPSIS:

THINNING: :UVS 60

TARGET:JEE 97-051/20:52:52.600 -CDS 3573:00:0

BODY PLOT TIME:TARGET-TIME D= 0 S= 0.200



Start UTC_TIME : 1997-049 // 08:40:06.697
No End Time :
Start SCLK : 1/03833845:00:00

Target Body : JUPITER
Target Cone/Clock : 87.56 / 93.87 Deg
S/C to Body Center : 2154322. Km (30.133751 Ri)
Z-axis Pointing (Ro / Dec) : 130.30 / 16.80 Deg

Activity ID:	Orbit E6	OAPEL JUE6AURA	SeqNo	02-
Title	UVS/EUV AURORA MAP 2, LO RATE E6 INBD		Instrument	UVS
Requestor	UVS-MWG/S.STEPHENS	Team	UVS	Working Group MWG

Time System	CDS	Load ID	E6A	Calendar Date	02/18/97	Week	8
Start	JEE-CDS 00003453:00:0		97-049/10:41:30.600		JEE-002/10:11:22.000		
End	JEE-CDS 00003331:00:0		97-049/12:44:51.934		JEE-002/08:08:00.666		
Duration	00000122:00:0		000/02:03:21.334		000/02:03:21.334		

Top Label	E6JUE6AURA02-			
Bottom Label	(UVS/EUV RTS Aurora)			
Plot Key	UVS	Type	SCI	
CDS Bytes	250	Report Options	BOTH	Scan Platform Yes
CDS Source	PA	Spin State	DUAL	DMS No

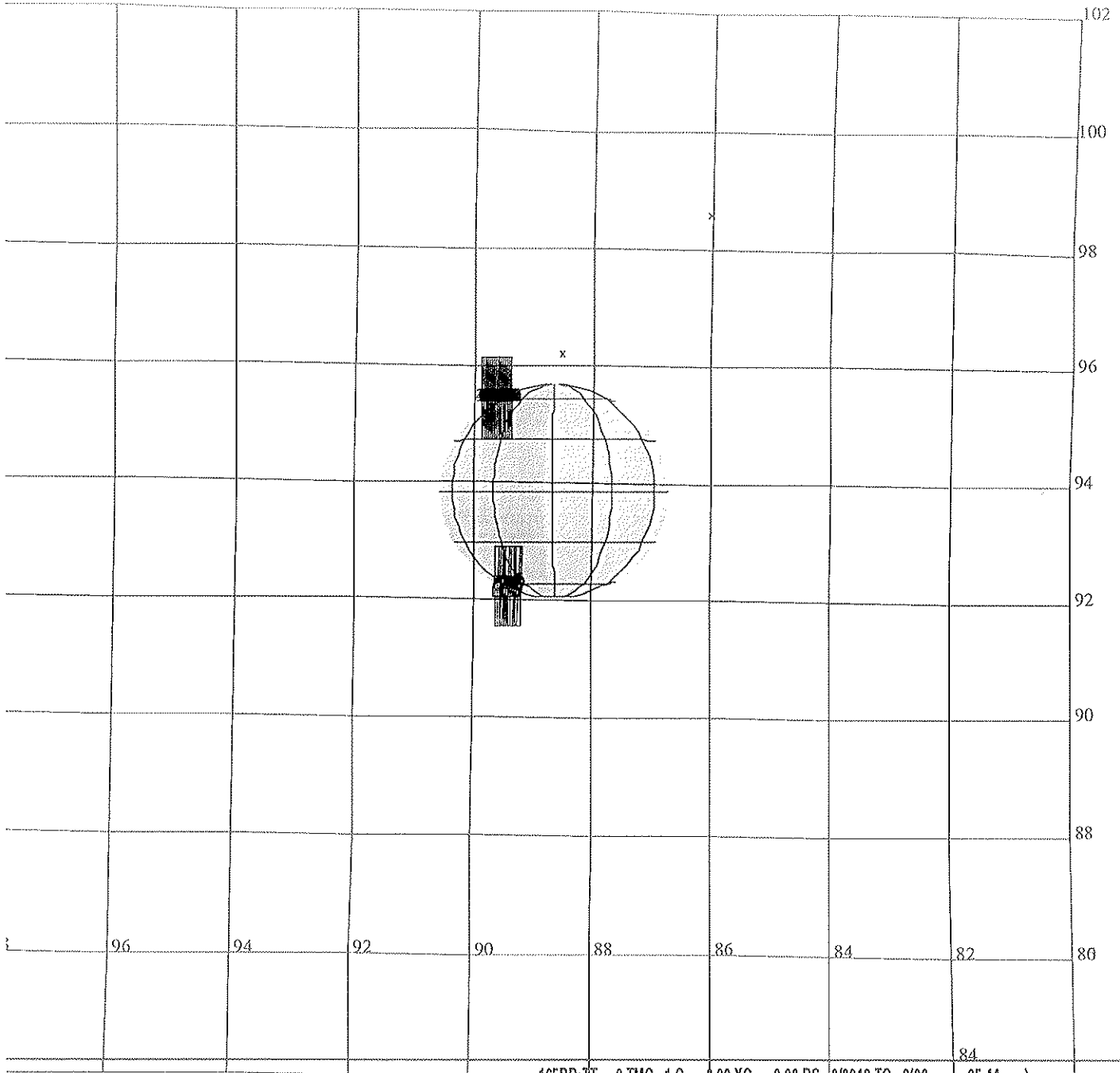
Observation Objective

UVS/EUV JUPITER AURORA MAP 2 (NORTH CALIBRATION AND SOUTH AURORA), LOW RATE, E6 INBOUND:
 From: Cone 90.00, Clock 95.44, TARGETing 60 deg North latitude, for calibrating AURA03
 To: Cone 90.30, Clock 92.20, reTARGETing 60 deg South latitude, for southern aurora
 Data rate: Instrument states usually last 60 RIMS; thus, 4.87 bps UVS, 4.87 bps EUV
 OPTRTM/UVFLUSH STRATEGY (17,712 bits per UVS or EUV PACKET):
 UVS/EUV deselected; thus, 30- or 60-RIM UVFLUSHes needed to PACKET, after initial DISCRD
 WAVELENGTHS (Angstroms):
 Emission lines: UVS (H2 1253, H2 1611)
 FULLSCAN N/G (UVS): N 2818.1-4319.0 (CTR 3589.1, STEP 264) [EVEN FRAMES],
 G 1131.5-1920.1 (CTR 1534.7, STEP 264) [ODD FRAMES]

Design Detail

PSID	RIM:mF	CDS	PA
384BG	0	0	COMMENT [UVS RIM 0]
157BG	0	66	CMDRS (10+14*4) [PLAN DUR 112, EST UVS CMDRS 4]
349BO	0:69	28	UVFLUSH [6UVRT, DISCRD, BOTH]
165BD	1	36	TARGET [CONE 90.00, CLOCK 95.44, POSITION SLEW ALLOCATION 1]
	19		34UVS,07,S,N,N,N,S,0,OFF,ON,ON,ON,OFF,NO,1,2C,9D,00,00 [FULLSCAN N/G]
349NP	38:69	28	UVFLUSH [6UVRT, PACKET, UVS]
349BP	59:69	28	UVFLUSH [6UVRT, PACKET, BOTH]
	60		34UVS,C1,F,N,N,N,S,0,OFF,OFF,ON,OFF,OFF,NO,1,2C,05,00,00 [HVOFF]
165BE	62	36	TARGET [CONE 90.30, CLOCK 92.20, POSITION SLEW ALLOCATION 1]
	72		34UVS,07,S,N,N,N,S,0,ON,OFF,ON,ON,OFF,NO,1,00,9C,01,2C [FULLSCAN F/G]
	112		34UVS,C1,F,N,N,N,S,0,OFF,OFF,ON,OFF,OFF,NO,1,2C,05,00,00 [HVOFF]
349BQ	120:69	28	UVFLUSH [6UVRT, PACKET, BOTH]

[RIDE-ALONG: NIMS dark-side southern aurora JEE-CDS 3333:00:0 to -CDS 3332:00:0]



165BD:TT= 0 TMC= 1 C= 0.00 XC= -0.00 BS= 0/0842 TC= 2(90 95.44)
 A= 182 pD= 0 SR=17.450 RA50=215.29 DEC50=-14.38 cone= 90.00 clock= 95.44
 165BE:TT= 0 TMC= 1 C= 0.00 XC= 0.00 BS= 0/1944 TC= 2(90.30 92.20)
 A= 182 pD= 0 SR=17.450 RA50=214.46 DEC50=-17.53 cone= 90.30 clock= 92.20

TARGET G2.0 jmart:12/20/1996 17: 8: 5

FILE:P.E6JUE6AURA02

CENTRAL BODY:JUPITER

IN:m.target

EPH:/DATA/NAVIO/T-961107-TOUR.NS

ERIAPSIS:

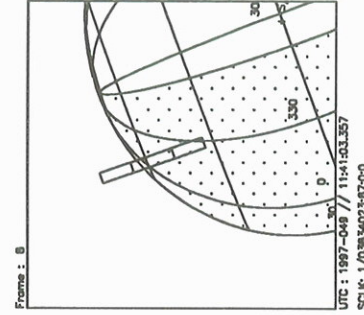
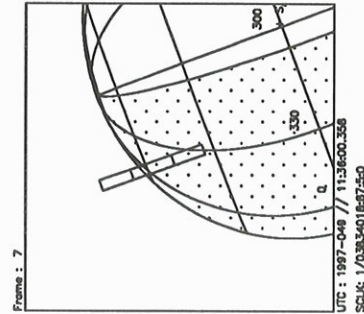
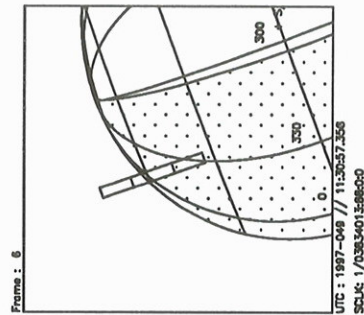
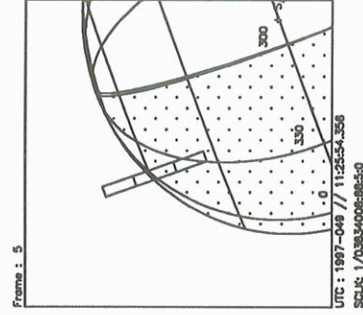
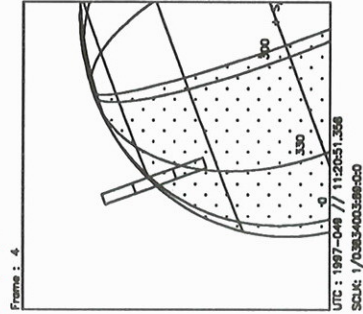
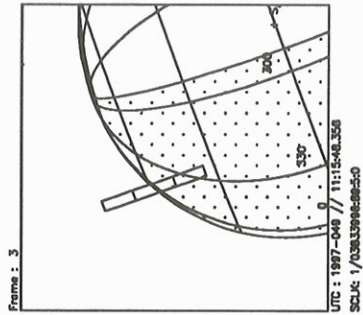
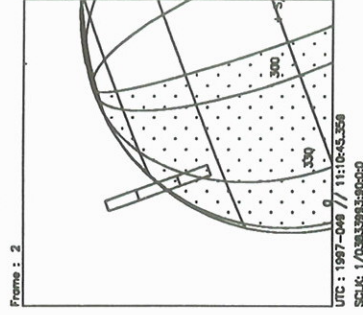
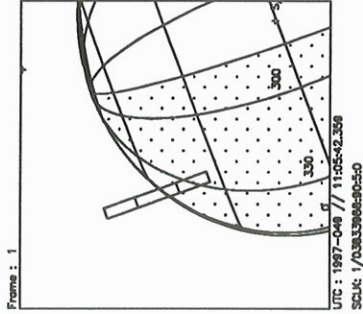
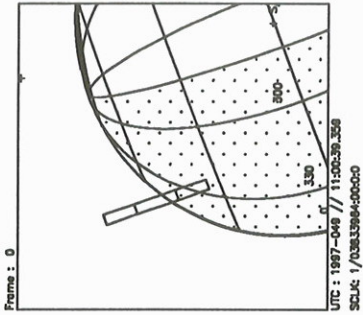
THINNING:UVS 60 :UVS 10

TARGET:JEE 97-051/20:52:52.600 -CDS 3452:00:0

BODY PLOT TIME:TARGET-TIME D= 0 S= 0.200

BACKGROUN N-channel

EG AURA02-1

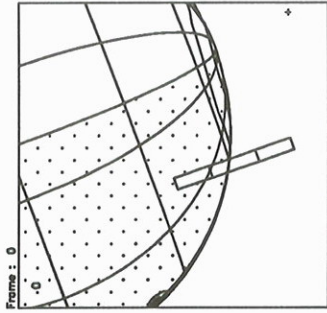


Start UTC.TIME : 1997-049 // 11:00:39.359
 No End Time :
 Start SCLK : 1/03833984:00:0:0

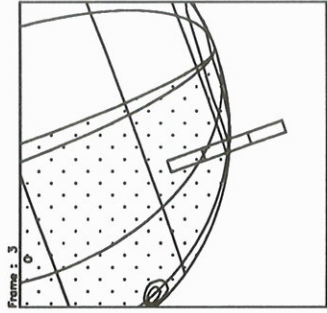
Target Body : JUPITER
 Target Cone/Clock : 88.85 / 93.87 Deg
 S/C to Body Center : 2098783. Km (29.356900 Rj)
 Z-axis Pointing (Ra / Dec) : 130.30 / 18.80 Deg

F16

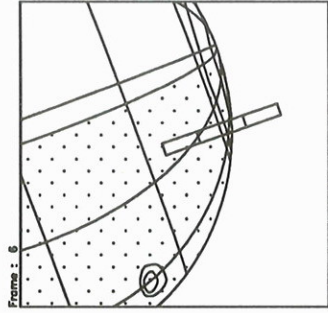
EG AURA02-2



UTC : 1997-049 // 11:54:14.690
 SCLK : 1/03834037300:00

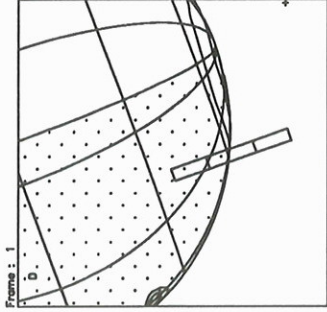


UTC : 1997-049 // 12:05:23.690
 SCLK : 1/03834051180:50

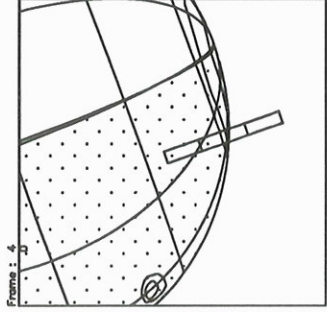


UTC : 1997-049 // 12:29:32.699
 SCLK : 1/03834066280:00

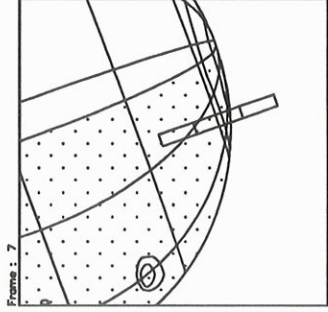
Start UTC_TIME : 1997-049 // 11:54:14.690
 No End Time :
 Start SCLK : 1/03834037:00:0:0



UTC : 1997-049 // 11:58:17.690
 SCLK : 1/03834041190:50

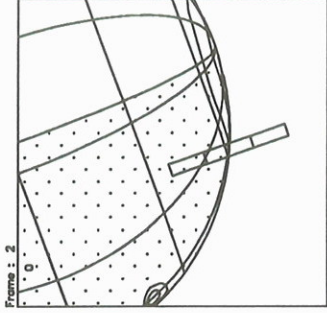


UTC : 1997-049 // 12:14:26.690
 SCLK : 1/03834056380:50

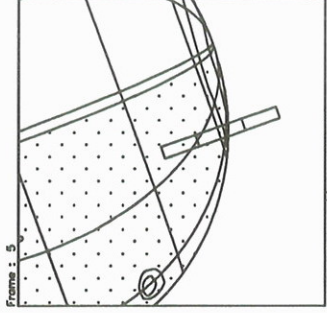


UTC : 1997-049 // 12:29:35.699
 SCLK : 1/0383407187:50

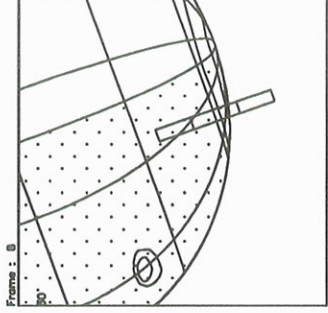
Target Body : JUPITER
 Target Cone/Clock : 89.36 / 93.87 Deg
 S/C to Body Center : 2077363. Km (29.057276 RJ)
 Z-axis Pointing (Ra / Dec) : 130.30 / 18.80 Deg



UTC : 1997-049 // 12:04:20.690
 SCLK : 1/03834046380:50



UTC : 1997-049 // 12:19:29.699
 SCLK : 1/03834061380:50



UTC : 1997-049 // 12:34:38.699
 SCLK : 1/0383407637:50

Activity ID:	Orbit E6	OAPEL	JUE6AURA	SeqNo	03-
Title	UVS/EUV AURORA MAP 3, HI RATE E6 INBD			Instrument	UVS
Requestor	UVS-MWG/S.STEPHENS	Team	UVS	Working Group	MWG
Time System	CDS	Load ID	E6A	Calendar Date	02/18/97
				Week	8
Start	JEE-CDS 00003331:00:0		97-049/12:44:51.934		JEE-002/08:08:00.666
End	JEE-CDS 00003089:00:0		97-049/16:49:33.267		JEE-002/04:03:19.333
Duration	00000242:00:0		000/04:04:41.333		000/04:04:41.333
Top Label	E6JUE6AURA03-				
Bottom Label	(UVS/EUV RTS Aurora)				
Plot Key	UVS	Type	SCI		
CDS Bytes	362	Report Options	BOTH	Scan Platform	Yes
CDS Source	PA	Spin State	DUAL	DMS	No
Observation Objective					
<p>UVS/EUV JUPITER AURORA MAP 3 (NORTHERN AURORA), HIGH RATE, E6 INBOUND: From: Cone 90.60, TARGETING 60 deg North latitude, dark limb (drifting to bright side) To: Cone 93.15, reTARGET dark limb and auroral oval at Sys III W Long 180 Data rate: Instrument states usually last 30 RIMS; thus, 9.73 bps UVS, 9.73 bps EUV OPTRTM/UVFLUSH STRATEGY (17,712 bits per UVS or EUV PACKET): UVS/EUV deselected; thus, 30- or 60-RIM UVFLUSHes needed to PACKET BOTH WAVELENGTHS (Angstroms): Emission lines: UVS (H2 1253, H2 1611) FULLSCAN F/G (UVS): F 1616.5-3227.9 (CTR 2436.8, STEP 264) [EVEN FRAMES], G 1131.5-1920.1 (CTR 1534.7, STEP 264) [ODD FRAMES]</p>					
Design Detail					
PSID	RIM:mf	CDS	PA		
384BH	0	0		COMMENT [UVS RIM 0]	
157BH	0	94		CMDRS (10+14*6) [PLAN DUR 242, EST UVS CMDS 6]	
349BR	0:69	28		UVFLUSH [6UVRT, DISCRD,BOTH]	
165BF	1	36		TARGET [CONE 90.60, CLOCK 95.54, POSITION SLEW ALLOCATION 1]	
	1			34UVS,07,S,N,N,N,S,0,ON,OFF,ON,ON,OFF,NO,1,00,9C,01,2C [FULLSCAN F/G]	
	41			34UVS,C1,F,N,N,N,S,0,OFF,OFF,ON,OFF,OFF,NO,1,2C,05,00,00 [HVOFF]	
349BS	59:69	28		UVFLUSH [6UVRT, PACKET, BOTH]	
	71			34UVS,07,S,N,N,N,S,0,ON,OFF,ON,ON,OFF,NO,1,00,9C,01,2C [FULLSCAN F/G]	
	111			34UVS,C1,F,N,N,N,S,0,OFF,OFF,ON,OFF,OFF,NO,1,2C,05,00,00 [HVOFF]	
349BT	119:69	28		UVFLUSH [6UVRT, PACKET, BOTH]	
165BG	122	36		TARGET [CONE 93.15, CLOCK 95.54, POSITION SLEW ALLOCATION 1]	
	122			34UVS,07,S,N,N,N,S,0,OFF,ON,ON,ON,OFF,NO,1,2C,9D,00,00 [FULLSCAN N/G]	
349BU	150:69	28		UVFLUSH [6UVRT, PACKET, BOTH]	
349BV	180:69	28		UVFLUSH [6UVRT, PACKET, BOTH]	
349BW	210:69	28		UVFLUSH [6UVRT, PACKET, BOTH]	
349BX	240:69	28		UVFLUSH [6UVRT, PACKET, BOTH]	
	242			34UVS,C1,F,N,N,N,S,0,OFF,OFF,ON,OFF,OFF,NO,1,2C,05,00,00 [HVOFF]	

97.8

97.3

96.8

96.3

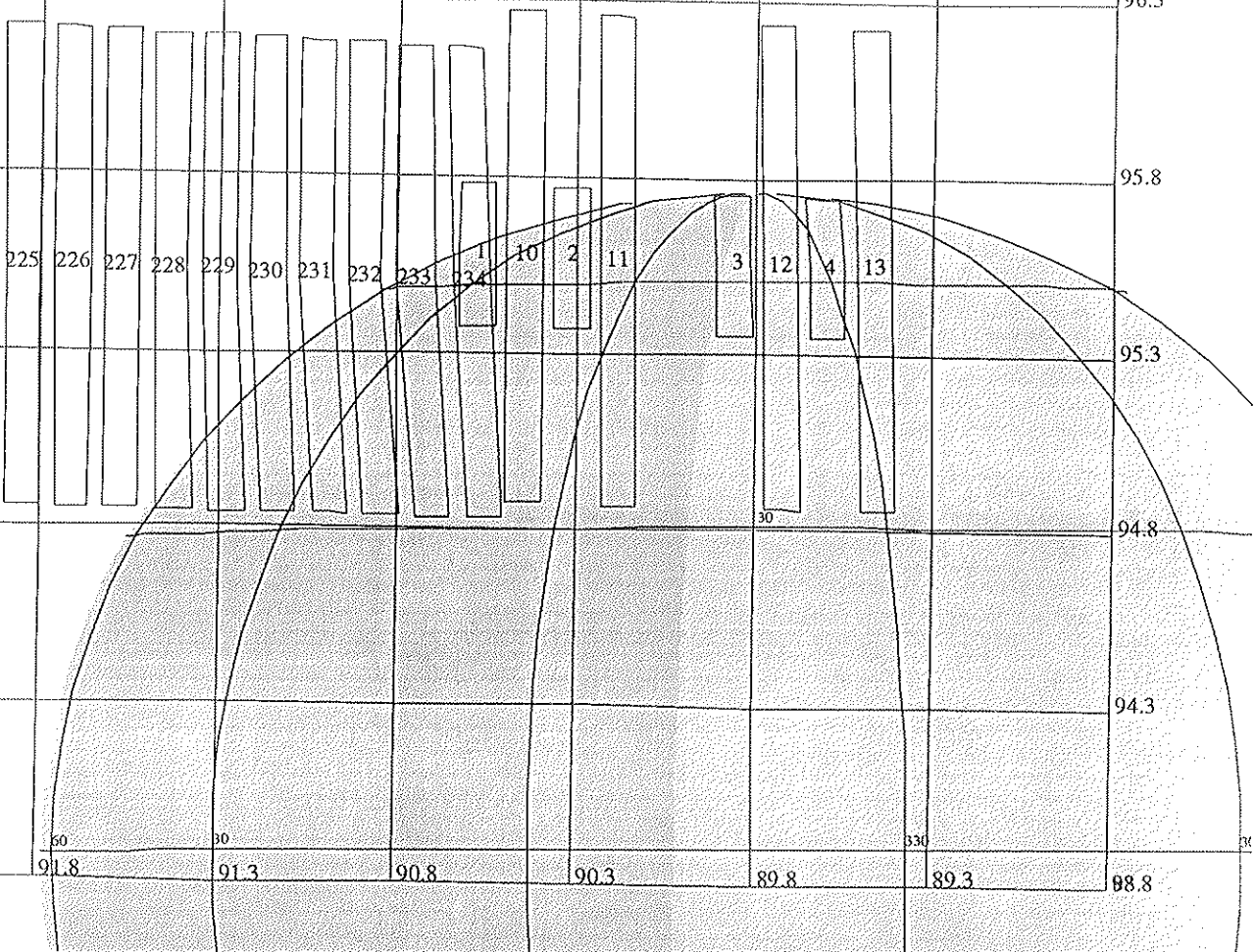
95.8

95.3

94.8

94.3

93.8



225 226 227 228 229 230 231 232 233 234 1 10 2 11 3 12 4 13

92.3

91.8

91.3

90.8

90.3

89.8

89.3

88.8

165BF:TT= 0 TMC= 1 C= 0.00 XC= 0.00 BS= 0/3046 TC= 2(90.60 95.54)
 A= 182 pD= 0 SR=17.450 RA50=215.91 DEC50=-14.48 cone= 90.60 clock= 95.54
 165BG:TT= 0 TMC= 1 C= 0.00 XC= 0.00 BS= 0/5068 TC= 2(93.15 95.54)
 A= 182 pD= 0 SR=17.450 RA50=218.41 DEC50=-15.31 cone= 93.15 clock= 95.54

ARGET G2.0 jmart:12/20/1996 17: 8: 5

ILE:P.E6JUE6AURA03

ENTRAL BODY:JUPITER

INI:m.target

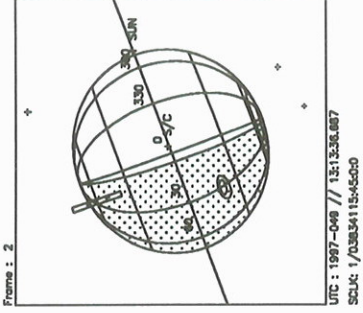
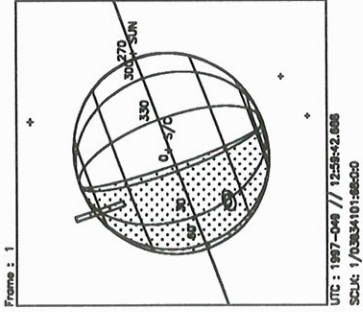
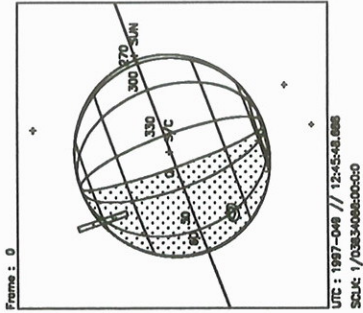
EPH:/DATA/NAVIO/T-961107-TOUR.NS

ERIAPSIS:

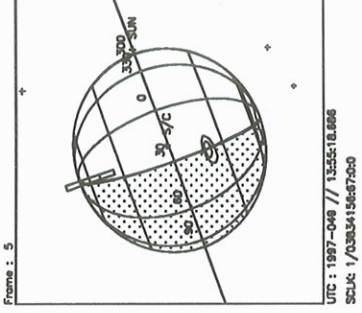
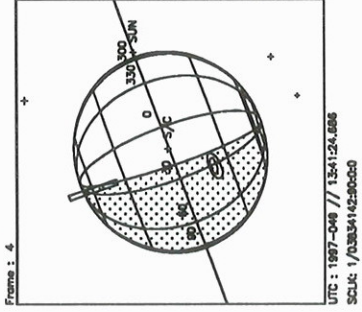
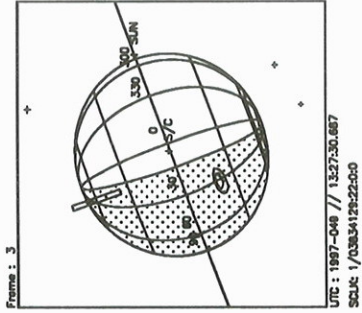
TART:JEE 97-051/20:52:52.600 -CDS 3330:00:0

THINNING:UVS 10 :UVS 60

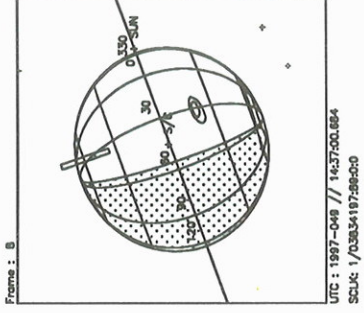
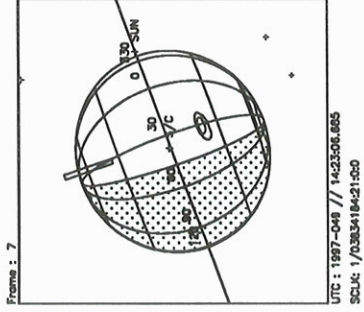
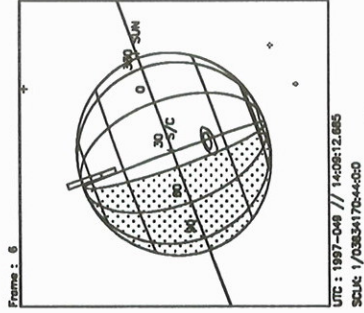
BODY PLOT TIME:TARGET-TIME D= 0 S= 1,000



516



E6AURA03-1

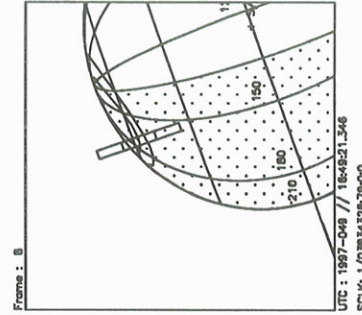
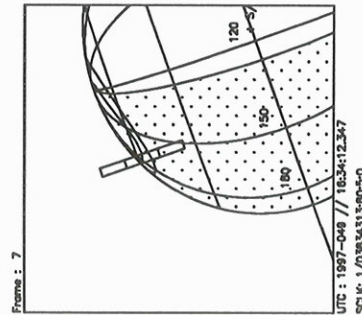
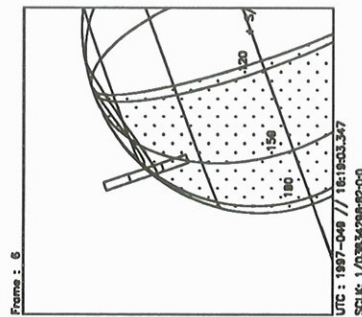
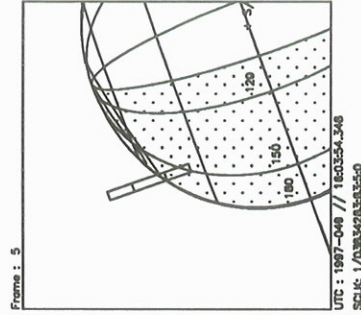
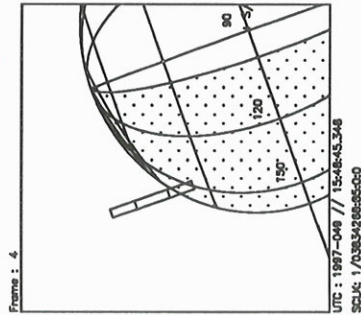
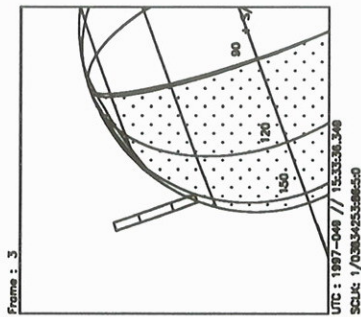
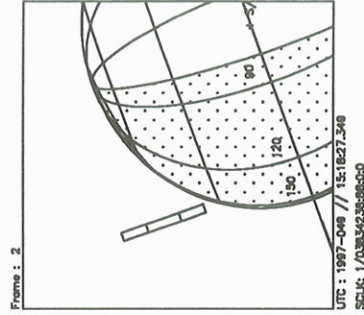
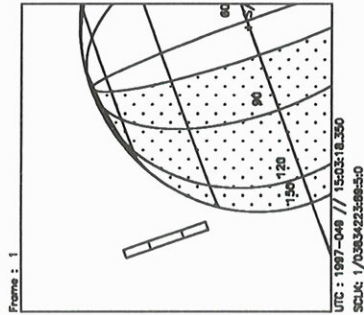
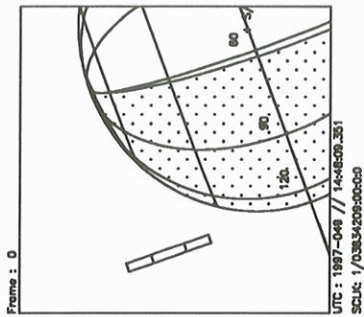


Start UTC_TIME : 1997-049 // 12:45:48.688
No End Time :
Start SCLK : 1/03834:088:00:0:0

Target Body : JUPITER
Target Cone/Clock : 89.86 / 93.87 Deg
S/C to Body Center : 2056622. Km (28.767157 RJ)
Z-axis Pointing (Ra / Dec) : 130.30 / 18.80 Deg

y-channel

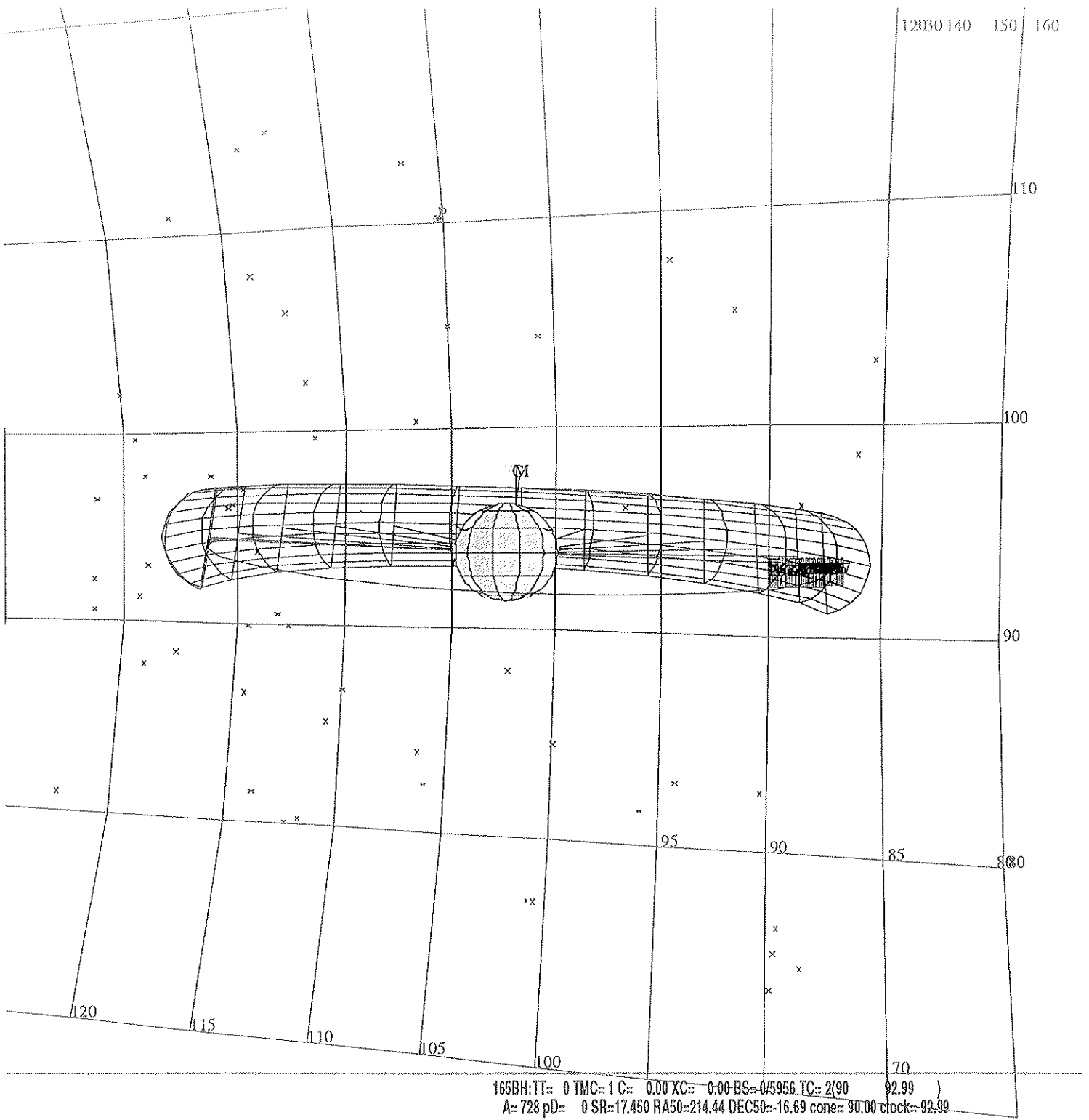
EG AURA03-2



Start UTC_TIME : 1997-049 // 14:48:09.351
No End Time :
Start SCLK : 1/03834209:00:0:0

Target Body : JUPITER
Target Cone/Clock : 91.09 / 93.87 Deg
S/C to Body Center : 2006901. Km (28.071691 Ri)
Z-axis Pointing (Ro / Dec) : 130.30 / 18.80 Deg

Activity ID:	Orbit E6	OAPEL TUE6NANS	SeqNo	01-
Title	UVS NOON ANSA MAP 1, LO RATE E6 INBD		Instrument	UVS
Requestor	UVS-MWG/S.STEPHENS	Team	UVS	Working Group MWG
Time System	CDS	Load ID	E6A	Calendar Date 02/19/97 Week 8
Start	JEE-CDS 00002329:00:0		97-050/05:37:59.934	JEE-001/15:14:52.666
End	JEE-CDS 00002205:00:0		97-050/07:43:22.600	JEE-001/13:09:30.000
Duration	00000124:00:0		000/02:05:22.666	000/02:05:22.666
Top Label	E6TUE6NANS01-			
Bottom Label	(UVS RTS Torus)			
Plot Key	UVS	Type	SCI	
CDS Bytes	158	Report Options	BOTH	Scan Platform Yes
CDS Source	PA	Spin State	DUAL	DMS No
Observation Objective				
<p>UVS IO TORUS NOON ANSA MAP 1, LOW RATE, E6 INBOUND: From: 4.88 Rj (inside ribbon) at cone 90 (ribbon at 5.76 Rj, Sys III W Long 257) To: 5.45 Rj at cone 90 Data rate: Instrument states last 60 RIMS; thus, 4.87 bps UVS OPTRM/UVFLUSH STRATEGY (17,712 bits per UVS or EUV PACKET): UVS deselected; thus, 60-RIM UVFLUSHes needed to PACKET UVS, after initial DISCRD WAVELENGTHS (Angstroms): Emission lines: UVS (S+ 1259, S+ 4070) 2POSN-22STEP N/G MINISCAN (UVS): N 4040.9-4098.7 (CTR 4071.2, STEP 436) [EVEN FRAMES], G 1239.8-1272.1 (CTR 1256.7, STEP 81) [ODD FRAMES] 2POSN-1STEP N/N MINISCAN (UVS): N 4049.2 (STEP 428) [EVEN FRAMES], N 4071.2 (STEP 436) [ODD FRAMES]</p>				
Design Detail				
PSID	RIM:mf	CDS	PA	
384BJ	0	0		COMMENT [UVS RIM 0]
157BI	3	38		CMDRS (10+14*2) [PLAN DUR 61, EST UVS CMDS 2]
349BY	3:69	28		UVFLUSH [6UVRT, DISCRD, UVS]
165BH	4	36		TARGET [CONE 90.00, CLOCK 92.99, POSITION SLEW ALLOCATION 4]
	4			34UVS,D3,F,N,N,N,S,0,OFF,ON,ON,ON,OFF,NO,1,D5,4E,05,63 [22STEP N/G]
349BZ	62:69	28		UVFLUSH [6UVRT, PACKET, UVS]
	64			34UVS,C1,F,N,N,N,S,0,OFF,ON,OFF,ON,OFF,NO,1,D8,06,00,08 [1STEP N/N]
349MA	122:69	28		UVFLUSH [6UVRT, PACKET, UVS]



ARGET G2.0 jmart:12/20/1996 17: 8: 5

ILE:P.E6TUE6NANS01

ENTRAL BODY:JUPITER

INI:m.target

EPH:/DATA/NAVIO/T-961107-TOUR.NS

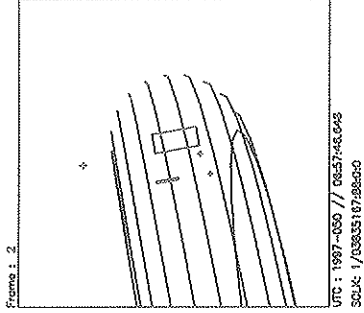
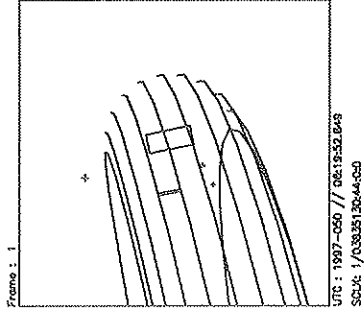
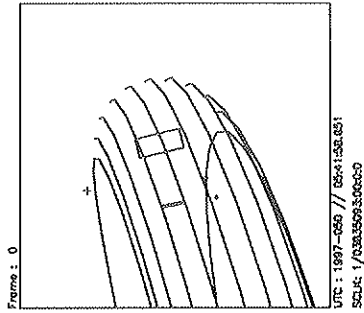
ERIAPSIS:

THINNING: :UVS 1

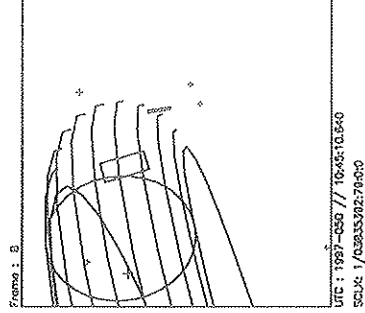
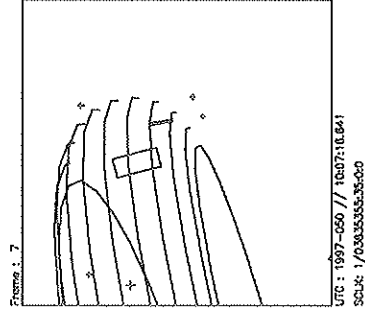
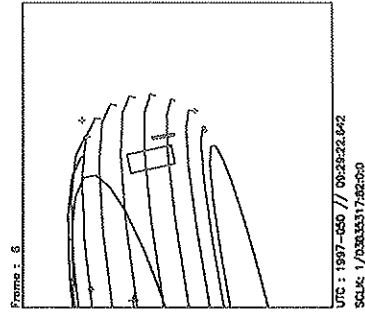
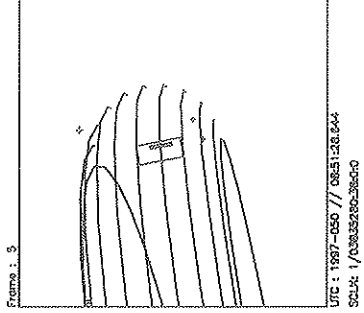
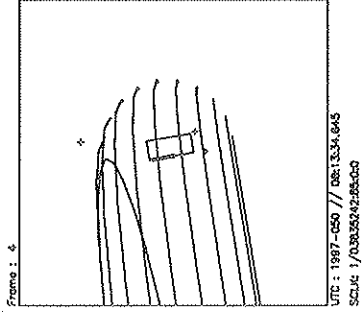
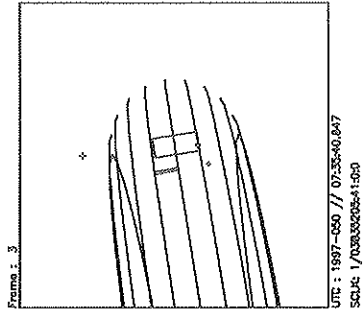
TART:JEE 97-051/20:52:52.600 -CDS 2325:00:0

BODY PLOT TIME:TARGET-TIME D= 0 S= 0.100

Activity ID: Orbit E6		OAPEL TUE6NANS		SeqNo 31-	
Title	UVS NOON ANSA MAP 3-1, LO RT E6 INBD			Instrument	UVS
Requestor	UVS-MWGS.STEPHENS	Team	UVS	Working Group	MWG
Time System	CDS	Load ID	E6A	Calendar Date	02/19/97 Week 8
Start	JEE-CDS 00002085:00:0		97-050/09:44:42.600		JEE-001/11:08:10.000
End	JEE-CDS 00002025:00:0		97-050/10:45:22.600		JEE-001/10:07:30.000
Duration	00000060:00:0		000/01:00:40.000		000/01:00:40.000
Top Label	E6TUE6NANS31-				
Bottom Label	(UVS RTS Torus)				
Plot Key	UVS	Type	SCI		
CDS Bytes	66	Report Options	BOTH		
CDS Source	PA	Spin State	DUAL		
		Scan Platform	Yes		
		DMS	No		
Observation Objective					
<div style="border: 1px solid black; padding: 5px;"> <p>UVS IO TORUS NOON ANSA MAP 3 (PART 1), LOW RATE, E6 INBOUND: From: 6.01 Rj at cone 90 (ribbon at 5.76 Rj, Sys III W Long 257) To: 6.28 Rj at cone 90 Data rate: Instrument states last 60 RIMS; thus, 4.87 bps UVS OPTRM/UVFLUSH STRATEGY (17,712 bits per UVS or EUV PACKET): UVS deselected; thus, 60-RIM UVFLUSHes needed to PACKET UVS WAVELENGTHS (Angstroms): Emission lines: UVS (S+ 4070) 2POSN-1STEP N/N MINISCAN (UVS): N 4049.2 (STEP 428) [EVEN FRAMES], N 4071.2 (STEP 436) [ODD FRAMES] Strategy for MINISCANS: Alternate 22STEP and 1STEP MINISCANS for PWS quiet</p> </div>					
Design Detail					
PSID	RIM:mf	CDS PA			
384BL	-1	0	COMMENT [UVS RIM 0]		
157BK	-1	38	CMDRS (10+14*2) [PLAN DUR 61, EST UVS CMDS 2]		
	0		34UVS,C1,F,N,N,N,S,0,OFF,ON,OFF,ON,OFF,NO,1,D8,06,00,08 [1STEP N/N]		
349MF	58:69	28	UVFLUSH [6UVRT, PACKET, UVS]		
	60		34UVS,C1,F,N,N,N,S,0,OFF,OFF,ON,OFF,OFF,NO,1,2C,05,00,00 [HVOFF]		



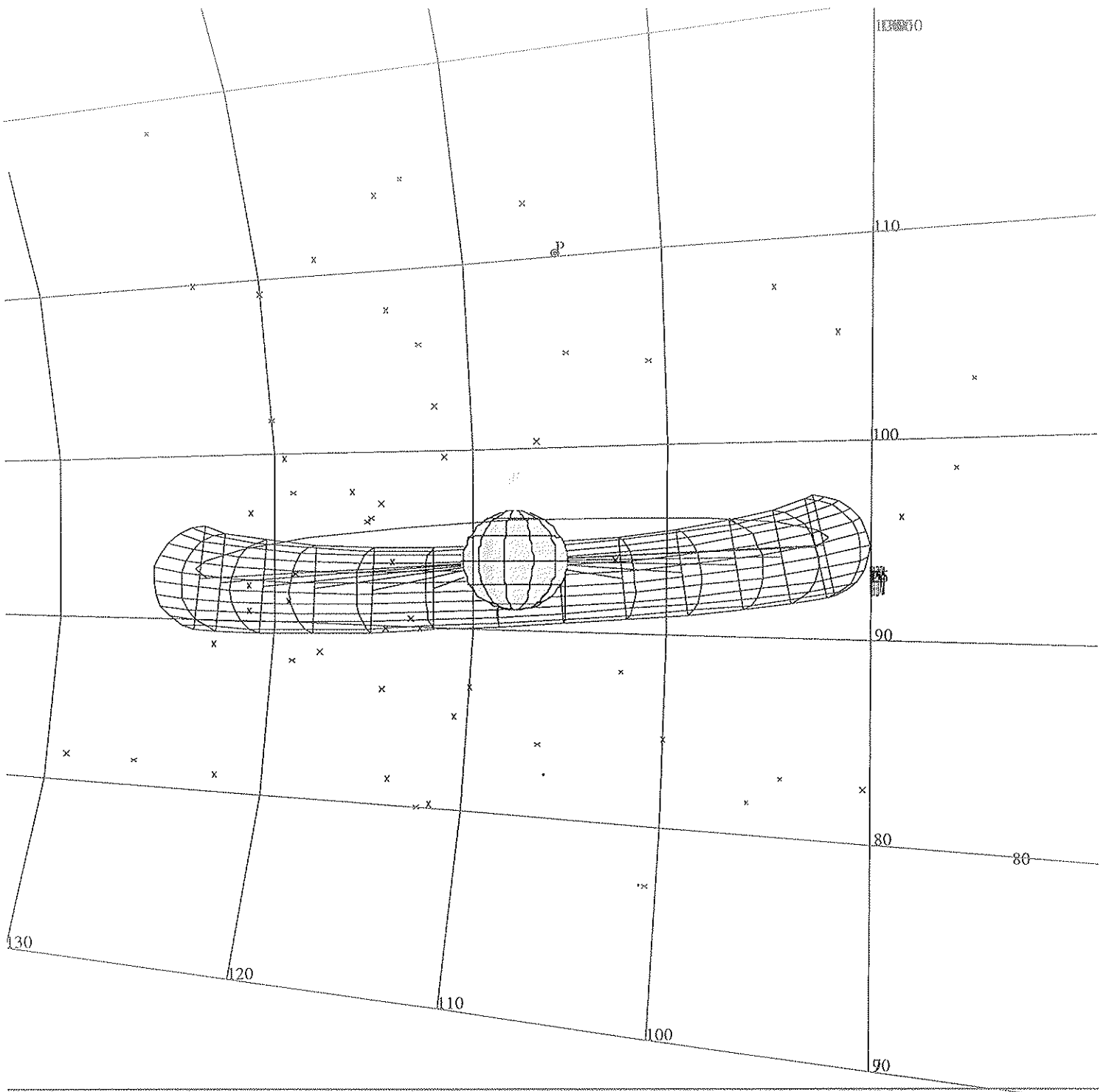
38 NANCOP 31



Start UTC_TIME : 1997-050 // 05:41:58.651
 No End Time :
 Start SCLK : 1/03835093:00:0:0

Target Body : JUPITER
 Target Cone/Clock : 102.42 / 93.85 Deg
 S/C to Body Center : 1620962. Km (22.673337 Ri)
 Z-axis Pointing (Ra / Dec) : 130.30 / 18.80 Deg

Activity ID:	Orbit E6	OAPEL TUE6NANS	SeqNo	32-
Title	UVS NOON ANSA MAP 3-2, LO RT E6 INBD		Instrument	UVS
Requestor	UVS-MWG/S.STEPHENS	Team	UVS	Working Group MWG
Time System	CDS	Load ID	E6A	Calendar Date 02/19/97 Week 8
Start	JEE-CDS 00002015:00:0		97-050/10:55:29.267	JEE-001/09:57:23.333
End	JEE-CDS 00001953:00:0		97-050/11:58:10.600	JEE-001/08:54:42.000
Duration	00000062:00:0		000/01:02:41.333	000/01:02:41.333
Top Label	E6TUE6NANS32-			
Bottom Label	(UVS RTS Torus)			
Plot Key	UVS	Type	SCI	
CDS Bytes	130	Report Options	BOTH	Scan Platform Yes
CDS Source	PA	Spin State	DUAL	DMS No
Observation Objective				
<div style="border: 1px solid black; padding: 5px;"> <p>UVS IO TORUS NOON ANSA MAP 3 (PART 2), LOW RATE, E6 INBOUND: From: 6.34 Rj at cone 90 (ribbon at 5.76 Rj, Sys III W Long 257) To: 6.61 Rj (inside Europa) at cone 90 Data rate: Instrument states last 60 RIMS; thus, 4.87 bps UVS OPTRM/UVFLUSH STRATEGY (17,712 bits per UVS or EUV PACKET): UVS deselected; thus, 60-RIM UVFLUSHes needed to PACKET UVS, after initial DISCRD WAVELENGTHS (Angstroms): Emission lines: UVS (S+ 1259, S+ 4070) 2POSN-22STEP N/G MINISCAN (UVS): N 4040.9-4098.7 (CTR 4071.2, STEP 436) [EVEN FRAMES], G 1239.8-1272.1 (CTR 1256.7, STEP 81) [ODD FRAMES] Strategy for MINISCANS: Alternate 22STEP and 1STEP MINISCANS for PWS quiet</p> </div>				
Design Detail				
PSID	RIM:mf	CDS	PA	
384BM	0	0		COMMENT [UVS RIM 0]
157BL	1	38		CMDRS (10+14*2) [PLAN DUR 61, EST UVS CMDS 2]
349MG	1:69	28		UVFLUSH [6UVRT, DISCRD, UVS]
165BI	2	36		TARGET [CONE 90.00, CLOCK 92.99, POSITION SLEW ALLOCATION 2]
				34UVS,D3,F,N,N,N,S,0,OFF,ON,ON,ON,OFF,NO,1,D5,4E,05,63 [22STEP N/G]
349MH	60:69	28		UVFLUSH [6UVRT, PACKET, UVS]
	62			34UVS,C1,F,N,N,N,S,0,OFF,OFF,ON,OFF,OFF,NO,1,2C,05,00,00 [HVOFF]



165BI:TT= 0 TMC= 1 C= 0.00 XC= 0.00 BS= 0/2740 TC= 2(90 92.99)
 A= 364 pD= 0 SR=17.450 RA50=214.44 DEC50=-16.69 cone= 90.00 clock= 92.99

ARGET G2.0 jmart:12/20/1996 17: 8: 5

ILE:P.E6TUE6NANS32

ENTRAL BODY:JUPITER

INI:m.target

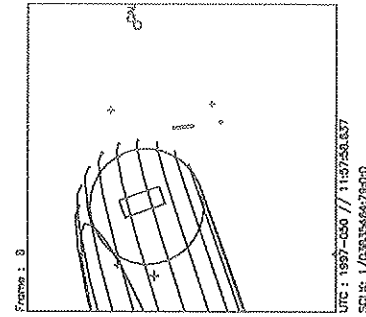
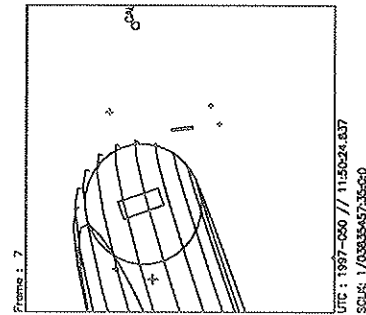
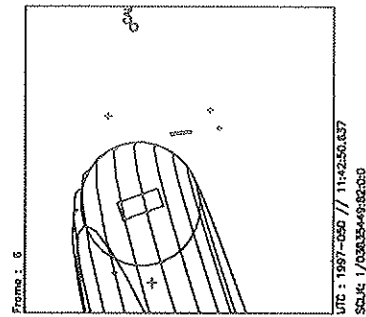
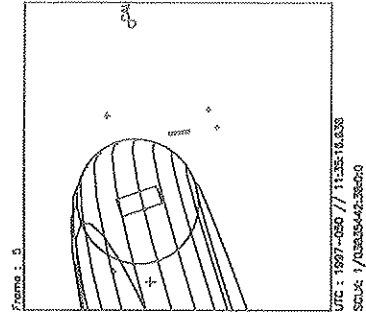
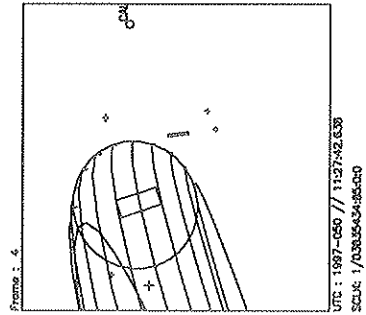
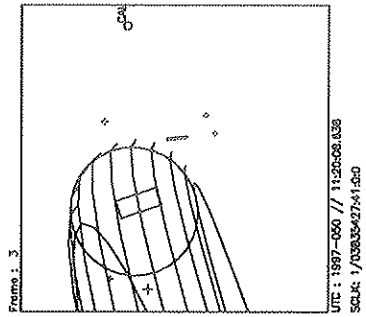
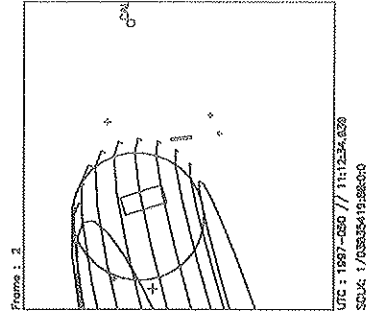
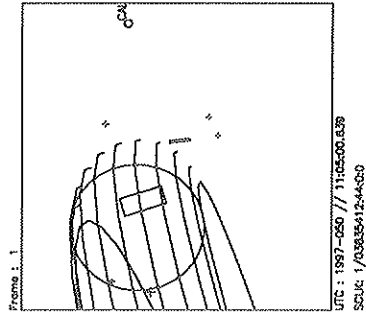
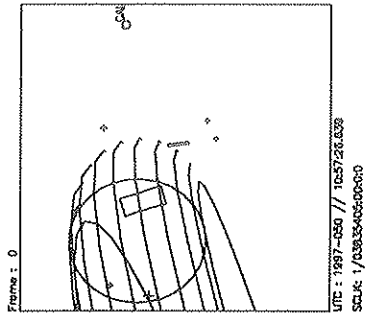
EPH:/DATA/NAVIO/T-961107-TOUR.NS

ERIAPSIS:

THINNING: :UVS 1

TART:JEE 97-051/20:52:52.600 -CDS 2013:00:0

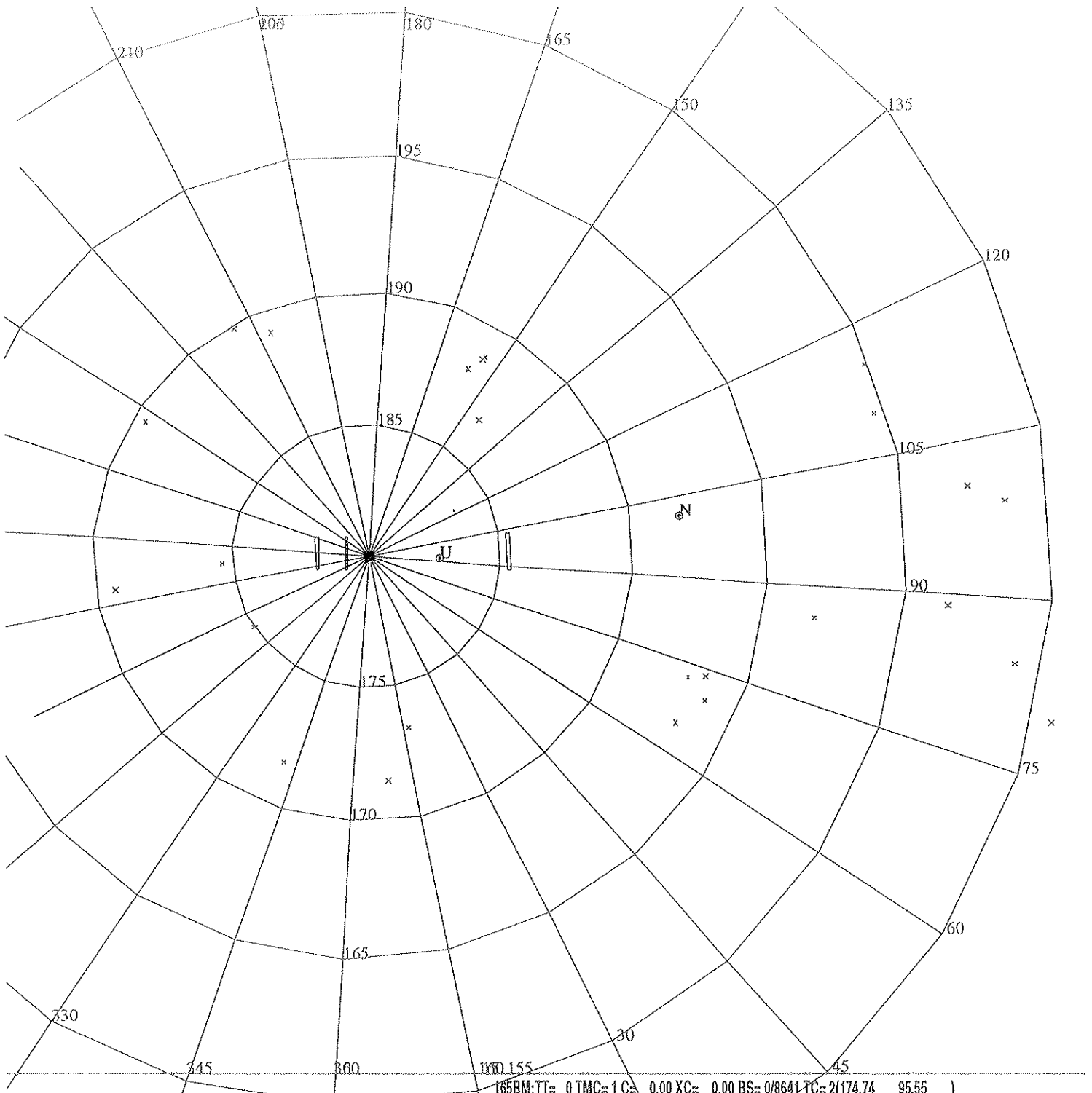
BODY PLOT TIME:TARGET-TIME D= 0 S= 0.100



Start UTC_TIME : 1997-050 // 10:57:26.639
No End Time :
Start SCLK : 1/03835405:00:00

Target Body : JUPITER
Target Cone/Clock : 107.88/ 93.84 Deg
S/C to Body Center : 1475067. Km (20.632616 Rj)
Z-axis Pointing (Ra / Dec) : 130.30 / 18.80 Deg

Activity ID: Orbit E6		OAPEL HUMAGNEB		SeqNo 01-	
Title		UVS MAGNETONEBULA OBSERVATION 1		Instrument UVS	
Requestor		UVS-MWG/S.STEPHENS		Team UVS	
				Working Group MWG	
Time System CDS		Load ID E6B		Calendar Date 02/27/97	
				Week 9	
Start		JEE+CDS 00009443:00:0		97-058/12:00:47.933	
				JEE+006/15:07:55.333	
End		JEE+CDS 00017993:00:0		97-064/12:05:47.933	
				JEE+012/15:12:55.333	
Duration		00008550:00:0		006/00:05:00.000	
				006/00:05:00.000	
Top Label		E6HUMAGNEB01-			
Bottom Label		(UVS RTS Magnetonebula)			
Plot Key		UVS		Type SCI	
CDS Bytes		218		Report Options BOTH	
				Scan Platform Yes	
CDS Source		PA		Spin State DUAL	
				DMS No	
Observation Objective					
<div style="border: 1px solid black; padding: 5px; width: 200px; height: 150px; display: inline-block; vertical-align: top;"> </div> <p>UVS MAGNETONEBULA OBSERVATION 1, E6 CRUISE From: nearly anti-solar direction, cone 175.00 To: constant cone angle, rotating clock angle (due to Scan-Type 3) Data rate: Instrument states last 1424 RIMS; thus, 0.21 bps UVS OPTRTM/UVFLUSH STRATEGY (17,712 bits per UVS or EUV PACKET): UVS selected, PMT A; thus, 1424-RIM UVFLUSHes needed to PACKET UVS, after initial DISCRD WAVELENGTHS (Angstroms): Emission lines: UVS (neutral O 1304, neutral S 1428) 2POSN-16STEP G/G MINISCAN (UVS): G 1292.0-1315.0 (CTR 1304.3, STEP 112) [EVEN FRAMES]. G 1417.1-1439.8 (CTR 1429.2, STEP 194) [ODD FRAMES] Strategy for MINISCANS: Assume no need to maintain PWS quiet</p>					
Design Detail					
PSID	RIM:mf	CDS	PA		
384BP	-2	0		COMMENT [UVS RIM 0]	
176BA	-2	15		SCITLM [PAUSE PB]	
432BC	2	38		OPTRTM [UVS INCLUDE]	
157BQ	4	24		CMDRS (10+14*1) [PLAN DUR 1, EST UVS CMDS 1]	
349NJ	4:69	28		UVFLUSH [6UVRT, DISCRD, UVS]	
165BM	5	36		TARGET [CONE 175.00, CLOCK 90.00, POSITION SLEW ALLOCATION 4], S/T 3	
	5			34UVS,D1,F,N,N,N,S,0,OFF,OFF,ON,ON,OFF,NO,1,94,45,00,52 [16STEP G/G]	
176BB	7	15		SCITLM [RESUME PB]	
157BP	8548	24		CMDRS (10+14*1) [PLAN DUR 1, EST UVS CMDS 1]	
	8549			34UVS,C1,F,N,N,N,S,0,OFF,OFF,ON,OFF,OFF,NO,1,2C,05,00,00 [HVOFF]	
432BD	8549	38		OPTRTM [UVS EXCLUDE]	



165BM:TT= 0 TMC=1 C= 0.00 XC= 0.00 BS= 0/8641 TC= 2(174.74 95.55)
 A= 728 pD=***** SR=17,450 RA50=304.89 DEC50=-20.09 cone=174.74 clock= 95.55

ESIGN G2.0 jdods:12/16/1996 13:30:20

FILE:P.E6HUMAGNEB01

CENTRAL BODY:JUPITER III

INI:m.E6HUMAGNEB01

EPH:/DATA/NAVIO/T-961107-TOUR.NS

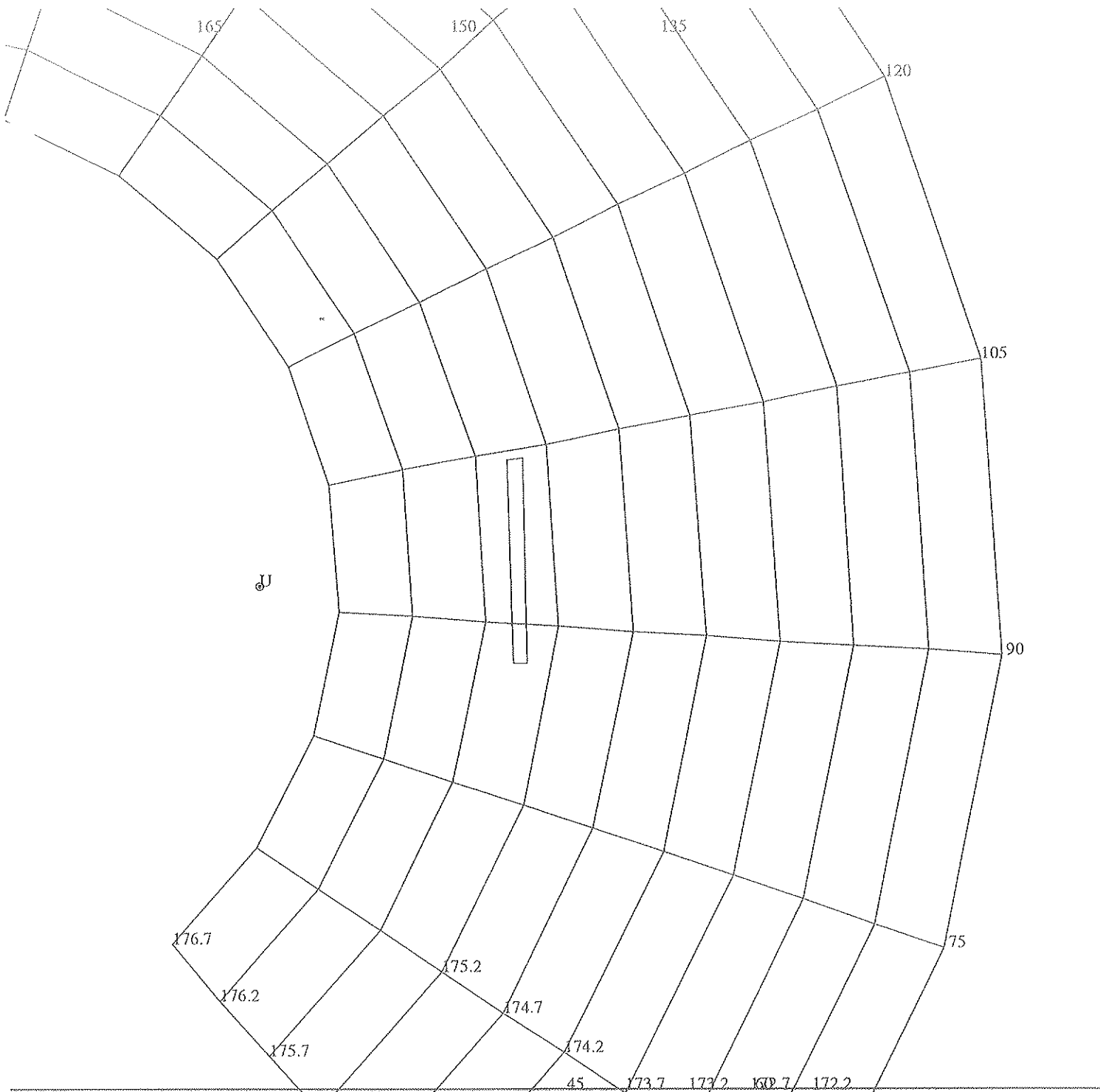
ERIAPSIS:

THINNING: :UVS 25

TART:JEE 97-051/20:52:52.600 +CDS 9448:00:0

BODY PLOT TIME:TARGET-TIME D=***** S= 0.050

Activity ID: Orbit E6		OAPEL HUMAGNEB		SeqNo 21-	
Title	UVS MAGNETONEBULA OBSERVATION 2-1			Instrument	UVS
Requestor	UVS-MWG/S.STEPHENS	Team	UVS	Working Group	MWG
Time System	CDS	Load ID	E6B	Calendar Date	03/05/97 Week 10
Start	JEE+CDS 00017993:00:0		97-064/12:05:47.933		JEE+012/15:12:55.333
End	JEE+CDS 00020847:00:0		97-066/12:11:30.600		JEE+014/15:18:38.000
Duration	00002854:00:0		002/00:05:42.667		002/00:05:42.667
Top Label	E6HUMAGNEB21-				
Bottom Label	(UVS RTS Magnetonebula)				
Plot Key	UVS	Type	SCI		
CDS Bytes	152	Report Options	BOTH	Scan Platform	Yes
CDS Source	PA	Spin State	DUAL	DMS	No
Observation Objective					
<div style="border: 1px solid black; padding: 5px; width: 200px; height: 150px; display: inline-block; vertical-align: top;"></div> <p>UVS MAGNETONEBULA OBSERVATION 2 (PART 1), E6 CRUISE From: nearly anti-solar direction, cone 175.00 To: constant cone angle, rotating clock angle (due to Scan-Type 3) Data rate: Instrument states last 1424 RIMS; thus, 0.21 bps UVS OPTRTM/UVFLUSH STRATEGY (17,712 bits per UVS or EUV PACKET): UVS selected, FMT A; thus, 1424-RIM UVFLUSHes needed to PACKET UVS, after initial DISCRD WAVELENGTHS (Angstroms): Emission lines: UVS (neutral O 1304, neutral S 1428) 2POSN-16STEP G/G MINISCAN (UVS): G 1292.0-1315.0 (CTR 1304.3, STEP 112) [EVEN FRAMES], G 1417.1-1439.8 (CTR 1429.2, STEP 194) [ODD FRAMES] Strategy for MINISCANS: Assume no need to maintain PWS quiet</p>					
Design Detail					
PSID	RIM:mf	CDS PA			
384BQ	-2	0	COMMENT [UVS RIM 0]		
432BE	2	38	OPTRTM [UVS INCLUDE]		
157BR	4	24	CMDRS (10+14*1) [PLAN DUR 1, EST UVS CMDS 1]		
349NK	4:69	28	UVFLUSH [6UVRT, DISCRD, UVS]		
	5		34UVS,D1,F,N,N,N,S,0,OFF,OFF,ON,ON,OFF,NO,1,94,45,00,52 [16STEP G/G]		
157BS	2852	24	CMDRS (10+14*1) [PLAN DUR 1, EST UVS CMDS 1]		
	2853		34UVS,C1,F,N,N,N,S,0,OFF,OFF,ON,OFF,OFF,NO,1,2C,05,00,00 [HVOFF]		
432BF	2853	38	OPTRTM [UVS EXCLUDE]		
[NOTE: redundant TARGET (and associated S/T 3 UTILITY and Pause/Resume Playback) removed]					



165BN:TT= 0 TMC=1C= 8.00 XC= 0.00 BS= 04740 TC= 2(175.46 95.41)
 A= 728 pD=518700 SR=17.450 RA50=305.64 DEC50=-19.93 cone=175.46 clock= 95.41

ESIGN G2.0 jdods:12/16/1996 13:31:13

FILE:P.E6HUMAGNEB21

CENTRAL BODY:JUPITER III

INI:m.E6HUMAGNEB21

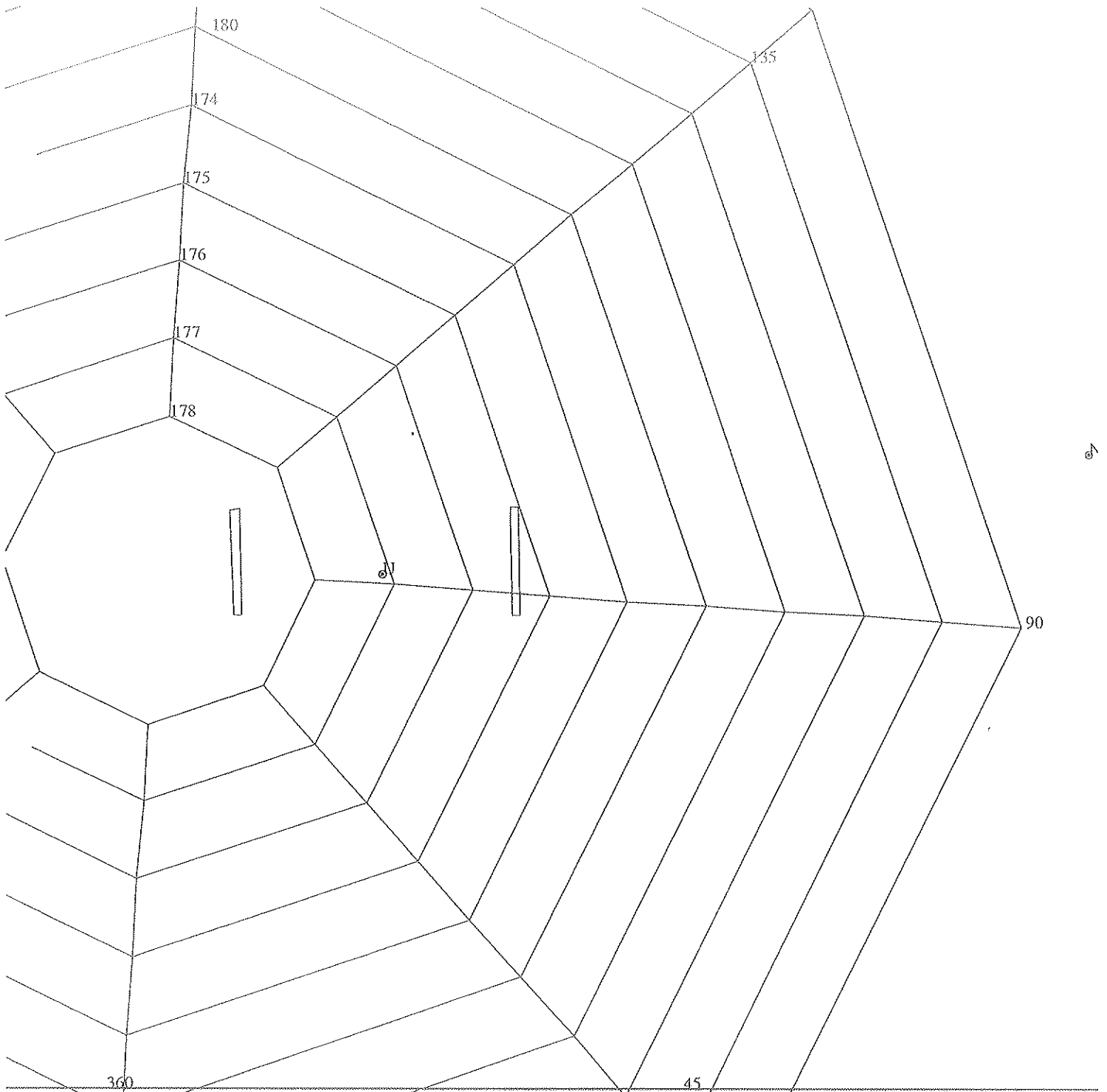
EPH:/DATA/NAVIO/T-961107-TOUR.NS

ERIAPSIS:

THINNING: :UVS 25

TART:JEE 97-051/20:52:52.600 +CDS 17998:00:0 BODY PLOT TIME:TARGET-TIME D=***** S= 0.200

Activity ID:	Orbit E6	OAPEL HUMAGNEB	SeqNo	22-
Title	UVS MAGNETONEBULA OBSERVATION 2-2		Instrument	UVS
Requestor	UVS-MWG/S.STEPHENS	Team	UVS	Working Group MWG
Time System	CDS	Load ID	E6C	Calendar Date 03/07/97 Week 10
Start	JEE+CDS 00021147:00:0		97-066/17:14:50.600	JEE+014/20:21:58.000
End	JEE+CDS 00025425:00:0		97-069/17:20:22.600	JEE+017/20:27:30.000
Duration	00004278:00:0		003/00:05:32.000	003/00:05:32.000
Top Label	E6HUMAGNEB22-			
Bottom Label	(UVS RTS Magnetonebula)			
Plot Key	UVS	Type	SCI	
CDS Bytes	152	Report Options	BOTH	Scan Platform Yes
CDS Source	PA	Spin State	DUAL	DMS No
Observation Objective				
<p>UVS MAGNETONEBULA OBSERVATION 2 (PART 2), E6 CRUISE From: nearly anti-solar direction, cone 175.00 To: constant cone angle, rotating clock angle (due to Scan-Type 3)</p> <p>Data rate: Instrument states last 1424 RIMS; thus, 0.21 bps UVS OPTRTM/UVFLUSH STRATEGY (17,712 bits per UVS or EUV PACKET): UVS selected, FMT A; thus, 1424-RIM UVFLUSHes needed to PACKET UVS, after initial DISCRD WAVELENGTHS (Angstroms): Emission lines: UVS (neutral O 1304, neutral S 1428) 2POSN-16STEP G/G MINISCAN (UVS): G 1292.0-1315.0 (CTR 1304.3, STEP 112) [EVEN FRAMES], G 1417.1-1439.8 (CTR 1429.2, STEP 194) [ODD FRAMES] Strategy for MINISCANS: Assume no need to maintain PWS quiet</p>				
Design Detail				
PSID	RIM:mf	CDS PA		
384BU	-2	0	COMMENT [UVS RIM 0]	
432BM	2	38	OPTRTM [UVS INCLUDE]	
157BZ	4	24	CMDRS (10+14*1) [PLAN DUR 1, EST UVS CMDS 1]	
349NO	4:69	28	UVFLUSH [6UVRT, DISCRD, UVS]	
		5	34UVS,D1,F,N,N,N,S,0,OFF,OFF,ON,ON,OFF,NO,1,94,45,00,52 [16STEP G/G]	
157MA	4276	24	CMDRS (10+14*1) [PLAN DUR 1, EST UVS CMDS 1]	
	4277		34UVS,C1,F,N,N,N,S,0,OFF,OFF,ON,OFF,OFF,NO,1,2C,05,00,00 [HVOFF]	
432BN	4277	38	OPTRTM [UVS EXCLUDE]	
[NOTE: redundant TARGET (and associated S/T 3 UTILITY and Pause/Resume Playback) removed]				



165BR:TT= 0 IMC=TC= 0.00 XC= 0.00 BS= 0/8767 TC= 2(175.46 95.41)
 A= 728 pD=777860 SR=17.450 RA50=305.64 DEC50=-19.93 cone=175.46 clock= 95.41

ESIGN G2.0 jdods:12/16/1996 13:31:23

ILE:R.E6HUMAGNEB22

ENTRAL BODY:JUPITER III

INI:m.E6HUMAGNEB22

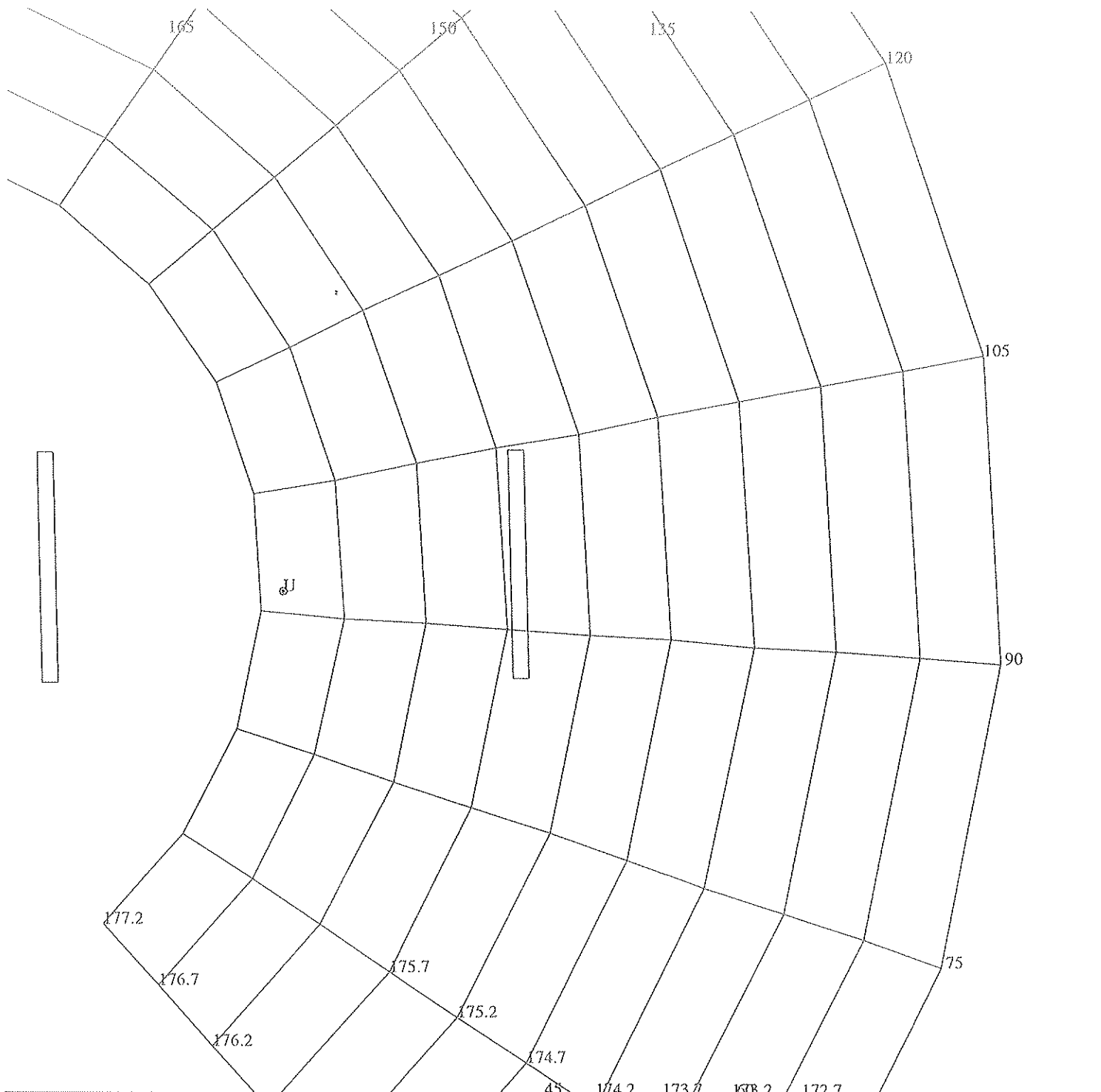
EPH:/DATA/NAVIO/T-961107-TOUR.NS

ERIAPSIS:

THINNING: :UVS 25

TART:JEE 97-051/20:52:52.600 +CDS 21152:00:0 BODY PLOT TIME:TARGET-TIME D=***** S= 0.100

Activity ID: Orbit E6		OAPEL HUMAGNEB		SeqNo 03-	
Title	UVS MAGNETONEBULA OBSERVATION 3			Instrument	UVS
Requestor	UVS-MWG/S.STEPHENS	Team	UVS	Working Group	MWG
Time System	CDS	Load ID		Calendar Date	03/11/97
				Week	11
Start	JEE+CDS 00025880:00:0		97-070/01:00:25.933		JEE+018/04:07:33.333
End	JEE+CDS 00028734:00:0		97-072/01:06:08.600		JEE+020/04:13:16.000
Duration	00002854:00:0		002/00:05:42.667		002/00:05:42.667
Top Label	E6HUMAGNEB03-				
Bottom Label	(UVS RTS Magnetonebula)				
Plot Key	UVS	Type	SCI		
CDS Bytes	218	Report Options	BOTH	Scan Platform	Yes
CDS Source	PA	Spin State	DUAL	DMS	No
Observation Objective					
<div style="border: 1px solid black; padding: 5px;"> <p>UVS MAGNETONEBULA OBSERVATION 3, E6 CRUISE From: nearly anti-solar direction, cone 175.00 To: constant cone angle, rotating clock angle (due to Scan-Type 3) Data rate: Instrument states last 1424 RIMS; thus, 0.21 bps UVS OPTRTM/UVFLUSH STRATEGY (17,712 bits per UVS or EUV PACKET): UVS selected, FMT A; thus, 1424-RIM UVFLUSHes needed to PACKET UVS, after initial DISCRD WAVELENGTHS (Angstroms): Emission lines: UVS (neutral O 1304, neutral S 1428) 2POSN-16STEP G/G MINISCAN (UVS): G 1292.0-1315.0 (CTR 1304.3, STEP 112) [EVEN FRAMES], G 1417.1-1439.8 (CTR 1429.2, STEP 194) [ODD FRAMES] Strategy for MINISCANS: Assume no need to maintain PWS quiet</p> </div>					
Design Detail					
PSID	RIM:mf	CDS PA			
384BR	-2	0	COMMENT [UVS RIM 0]		
176BE	-2	15	SCITLM [PAUSE PB]		
432BG	2	38	OPTRTM [UVS INCLUDE]		
157BT	4	24	CMDRS (10+14*1) [PLAN DUR 1, EST UVS CMDS 1]		
349NL	4:69	28	UVFLUSH [6UVRT, DISCRD, UVS]		
165BO	5	36	TARGET [CONE 175.00, CLOCK 90.00, POSITION SLEW ALLOCATION 4], S/F 3		
	5		34UVS,D1,F,N,N,N,S,0,OFF,OFF,ON,ON,OFF,NO,1,94,45,00,52 [16STEP G/G]		
176BF	7	15	SCITLM [RESUME PB]		
157BU	2852	24	CMDRS (10+14*1) [PLAN DUR 1, EST UVS CMDS 1]		
	2853		34UVS,C1,F,N,N,N,S,0,OFF,OFF,ON,OFF,OFF,NO,1,2C,05,00,00 [HVOFF]		
432BH	2853	38	OPTRTM [UVS EXCLUDE]		



165BO:TT= 0 IMC= 1 C= 0.00 XC= 0.00 BS= 0/0173 TC= 2(175.67 95.35)
 A= 728 pD=777868 SR=17.450 RA50=305.86 DEC50=-19.89 core=175.67 clock= 95.35

ESIGN G2.0 jdods:12/16/1996 13:30:28

ILE:P.E6HUMAGNEB03

ENTRAL BODY:JUPITER III

INI:m.E6HUMAGNEB03

EPH:/DATA/NAVIO/T-961107-TOUR.NS

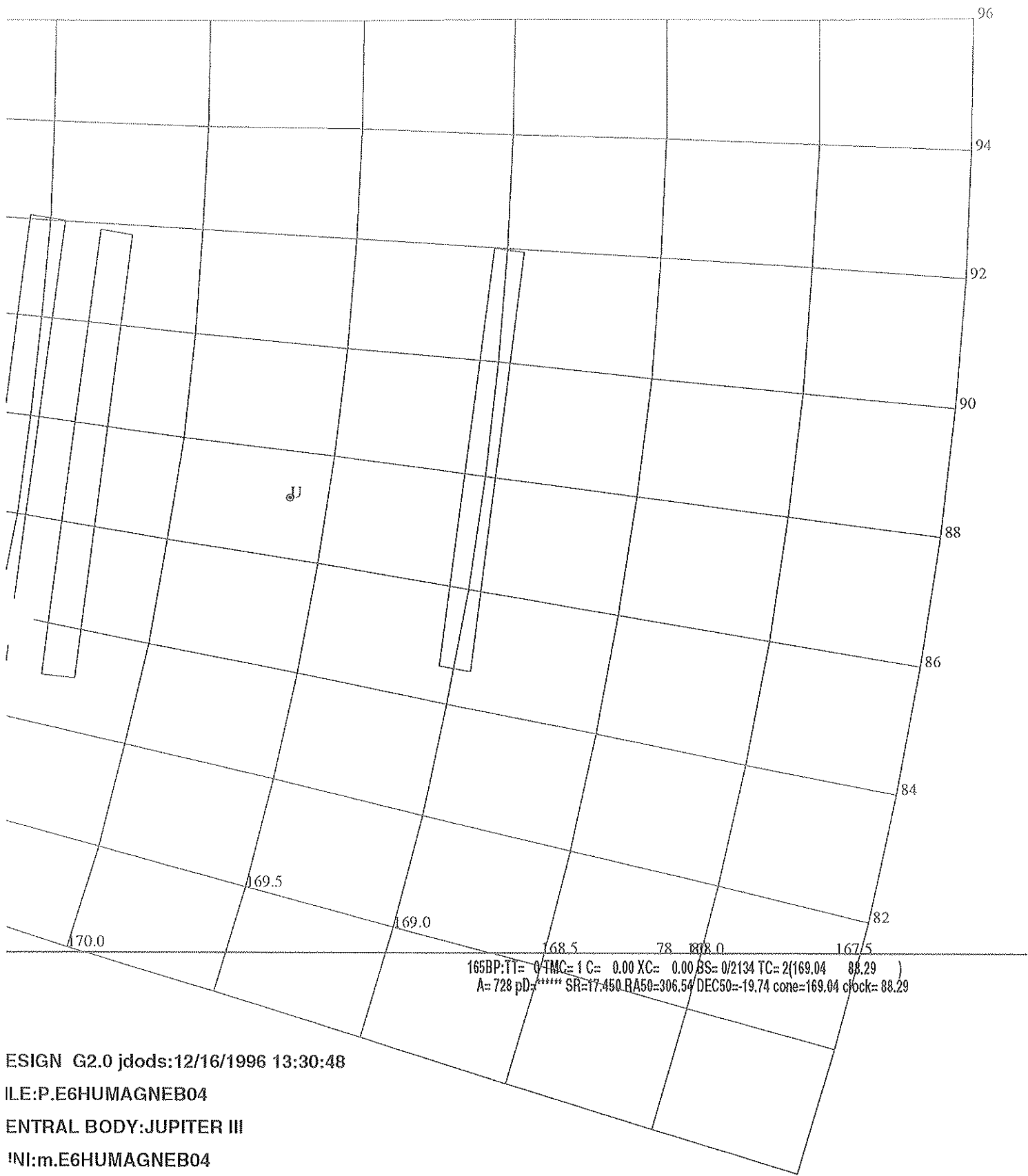
ERIAPSIS:

THINNING:

:UVS 25

TART:JEE 97-051/20:52:52.600 +CDS 25885:00:0 BODY PLOT TIME:TARGET-TIME D=***** S= 0.200

Activity ID: Orbit E6	OAPEL HUMAGNEB	SeqNo 04-
Title	UVS MAGNETONEBULA OBSERVATION 4	Instrument UVS
Requestor	UVS-MWG/S.STEPHENS	Team UVS Working Group MWG
Time System CDS	Load ID E6C	Calendar Date 03/17/97 Week 11
Start	JEE+CDS 00035671:00:0	97-076/22:00:13.266 JEE+025/01:07:20.666
End	JEE+CDS 00042797:00:0	97-081/22:05:23.933 JEE+030/01:12:31.333
Duration	00007126:00:0	005/00:05:10.667 005/00:05:10.667
Top Label	E6HUMAGNEB04-	
Bottom Label	(UVS RTS Magnetonebula)	
Plot Key	UVS	Type SCI
CDS Bytes	242	Report Options BOTH Scan Platform Yes
CDS Source	PA	Spin State DUAL DMS No
Observation Objective		
	UVS MAGNETONEBULA OBSERVATION 4, E6 CRUISE From: nearly anti-solar direction, cone 175.00 To: constant cone angle, rotating clock angle (due to Scan-Type 3) Data rate: Instrument states last 1424 RIMS; thus, 0.21 bps UVS OPTRTM/UVFLUSH STRATEGY (17,712 bits per UVS or EUV PACKET): UVS selected, FMT A; thus, 1424-RIM UVFLUSHes needed to PACKET UVS, after initial DISCRD WAVELENGTHS (Angstroms): Emission lines: UVS (neutral O 1304, neutral S 1428) 2POSN-16STEP G/G MINISCAN (UVS): G 1292.0-1315.0 (CTR 1304.3, STEP 112) [EVEN FRAMES], G 1417.1-1439.8 (CTR 1429.2, STEP 194) [ODD FRAMES] 2POSN-1STEP G/G MINISCAN (UVS): G 1304.3 (STEP 112) [EVEN FRAMES], G 1319.6 (STEP 122) [ODD FRAMES]	
Design Detail		
PSID	RIM:mf	CDS PA
384BS	-2	0 COMMENT [UVS RIM 0]
176BG	-2	15 SCITLM [PAUSE PB]
432BI	2	38 OPTRTM [UVS INCLUDE]
157BV	4	24 CMDRS (10+14*1) [PLAN DUR 1, EST UVS CMDS 1]
349NM	4:69	28 UVFLUSH [6UVRT, DISCRD, UVS]
165BP	5	36 TARGET [CONE 175.00, CLOCK 90.00, POSITION SLEW ALLOCATION 4], S/T 3
176BH	7	15 SCITLM [RESUME PB]
157MC	4276	24 CMDRS (10+14*1) [PLAN DUR 1, EST UVS CMDS 1]
	4277	34UVS,C1,F,N,N,N,S,0,OFF,OFF,ON,ON,OFF,NO,1,9C,05,00,0A [1STEP G/G]
157BW	7124	24 CMDRS (10+14*1) [PLAN DUR 1, EST UVS CMDS 1]
	7125	34UVS,C1,F,N,N,N,S,0,OFF,OFF,ON,OFF,OFF,NO,1,2C,05,00,00 [HV OFF]
432BJ	7125	38 OPTRTM [UVS EXCLUDE]



ESIGN G2.0 jdods:12/16/1996 13:30:48

ILE:P.E6HUMAGNEB04

ENTRAL BODY:JUPITER III

INI:m.E6HUMAGNEB04

EPH:/DATA/NAVIO/T-961107-TOUR.NS

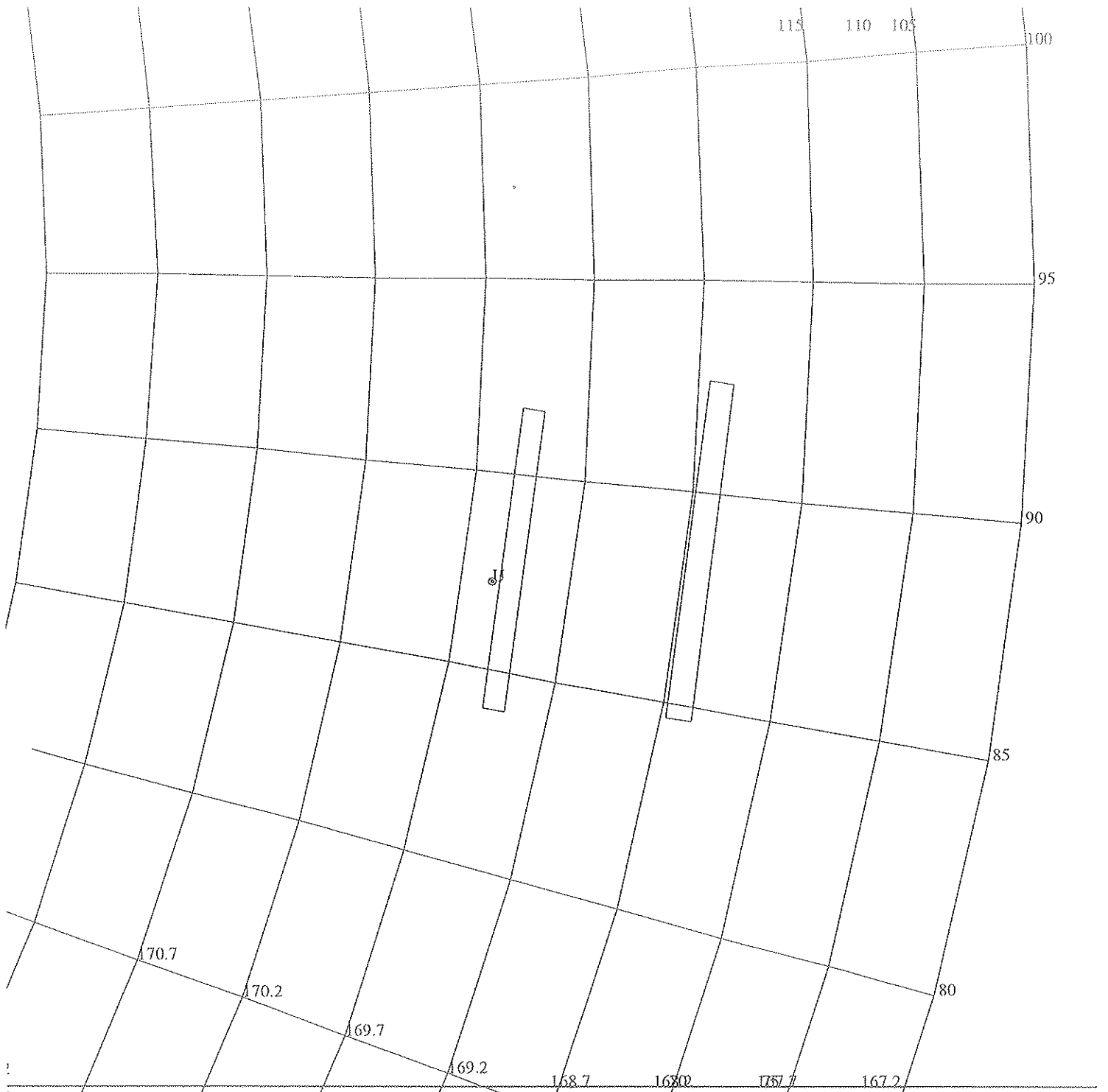
ERIAPSIS:

THINNING:

:UVS 25

TART:JEE 97-051/20:52:52.600 +CDS 35676:00:0 BODY PLOT TIME:TARGET-TIME D=***** S= 0.400

Activity ID: Orbit E6		OAPEL HUMAGNEB		SeqNo 05-	
Title	UVS MAGNETONEBULA OBSERVATION 5			Instrument	UVS
Requestor	UVS-MWG/S.STEPHENS	Team	UVS	Working Group	MWG
Time System	CDS	Load ID	E6C	Calendar Date	03/23/97 Week 12
Start	JEE+CDS 00043037:00:0		97-082/02:08:03.933		JEE+030/05:15:11.333
End	JEE+CDS 00048739:00:0		97-086/02:13:25.266		JEE+034/05:20:32.666
Duration	00005702:00:0		004/00:05:21.333		004/00:05:21.333
Top Label	E6HUMAGNEB05-				
Bottom Label	(UVS RTS Magnetonebula)				
Plot Key	UVS	Type	SCI		
CDS Bytes	152	Report Options	BOTH	Scan Platform	Yes
CDS Source	PA	Spin State	DUAL	DMS	No
Observation Objective					
<div style="border: 1px solid black; padding: 5px;"> <p>UVS MAGNETONEBULA OBSERVATION 5, E6 CRUISE From: nearly anti-solar direction, cone 175.00 To: constant cone angle, rotating clock angle (due to Scan-Type 3) Data rate: Instrument states last 1424 RIMS; thus, 0.21 bps UVS OPTRTM/UVFLUSH STRATEGY (17,712 bits per UVS or EUV PACKET): UVS selected, FMT A; thus, 1424-RIM UVFLUSHes needed to PACKET UVS, after initial DISCRD WAVELENGTHS (Angstroms): Emission lines: UVS (neutral O 1304) 2POSN-1STEP G/G MINISCAN (UVS): G 1304.3 (STEP 112) [EVEN FRAMES], G 1319.6 (STEP 122) [ODD FRAMES] Strategy for MINISCANS: Use 1STEP MINISCAN for PWS quiet</p> </div>					
Design Detail					
PSID	RIM:mf	CDS PA			
384BT	-2	0	COMMENT [UVS RIM 0]		
432BK	2	38	OPTRTM [UVS INCLUDE]		
157BX	4	24	CMDRS (10+14*1) [PLAN DUR 1, EST UVS CMDS 1]		
349NN	4:69	28	UVFLUSH [6UVRT, DISCRD, UVS]		
	5		34UVS,C1,F,N,N,N,S,0,OFF,OFF,ON,ON,OFF,NO,1,9C,05,00,0A [1STEP G/G]		
157BY	5700	24	CMDRS (10+14*1) [PLAN DUR 1, EST UVS CMDS 1]		
	5701		34UVS,C1,F,N,N,N,S,0,OFF,OFF,ON,OFF,OFF,NO,1,2C,05,00,00 [HVOFF]		
432BL	5701	38	OPTRTM [UVS EXCLUDE]		
[NOTE: redundant TARGET (and associated S/T 3 UTILITY and Pause/Resume Playback) removed]					



165BQ: IV= 0 TMC= 1 C= 0.00 XC= 0.00 BS= 0/2745 TC= 2(169.48 / 87.86)
 A= 720 pD= ***** SR=17.450 RA50=307.00 DEC50=-19.65 cone=169.48 clock= 87.86

ESIGN G2.0 jdods:12/16/1996 13:30:56

FILE:P.E6HUMAGNEB05

CENTRAL BODY:JUPITER III

IN:m.E6HUMAGNEB05

EPH:/DATA/NAVIO/T-961107-TOUR.NS

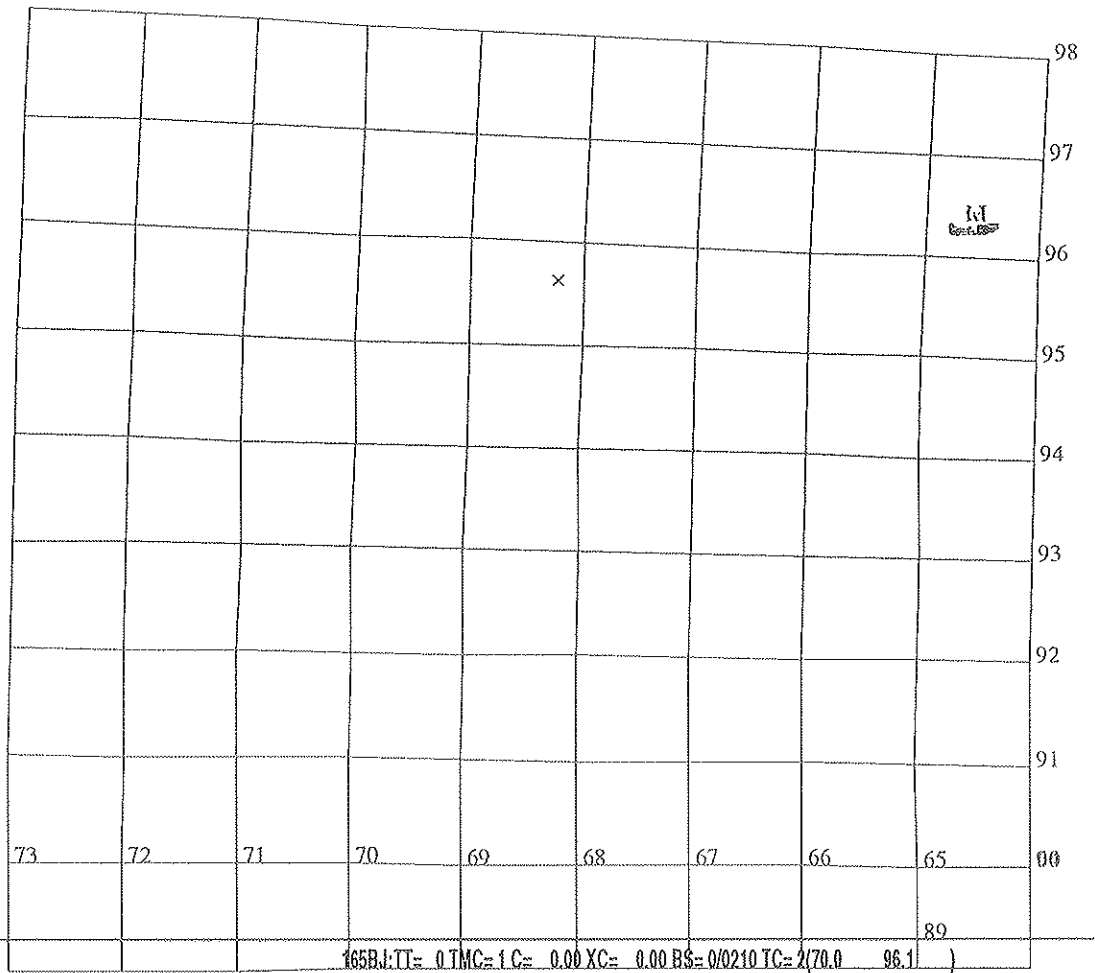
ERIAPSIS:

THINNING:

:UVS 25

TART:JEE 97-051/20:52:52.600 +CDS 43042:00:0 BODY PLOT TIME:TARGET-TIME D=***** S= 0.300

Activity ID: Orbit E6	OAPEL TUGTORUS	SeqNo 01-
Title	UVS GANYMEDE NEUTRAL TORUS G7 INBOUND	Instrument UVS
Requestor	UVS-MWG/S.STEPHENS	Team UVS Working Group MWG
Time System CDS	Load ID	Calendar Date 03/28/97 Week 13
Start	JEE+CDS 00051288:00:0	97-087/21:10:44.600 JEE+036/00:17:52.000
End	JEE+CDS 00052373:00:0	97-088/15:27:47.933 JEE+036/18:34:55.333
Duration	00001085:00:0	000/18:17:03.333 000/18:17:03.333
Top Label	E6TUGTORUS01-	
Bottom Label	(UVS RTS Ganymede Torus)	
Plot Key	UVS	Type SCI
CDS Bytes	391	Report Options BOTH Scan Platform Yes
CDS Source	PA	Spin State DUAL DMS No
Observation Objective		
	UVS GANYMEDE NEUTRAL TORUS MIDNIGHT ANSA PROFILE 1, LOW RATE, G7 INBOUND: From: 16.80 Rj (outside Ganymede ansa) at cone 70 (ansa at 14.97 Rj) To: 12.93 Rj (inside Ganymede ansa) at cone 70 Data rate: Instrument states last 120 RIMS; thus, 2.43 bps UVS OPTRTM/UVFLUSH STRATEGY (17,712 bits per UVS or EUV PACKET): UVS deselected; thus, 120-RIM UVFLUSHes needed to PACKET UVS, after initial DISCRD WAVELENGTHS (Angstroms): Emission lines: UVS (H2 1216, neutral O 1304) 2 POSN-16STEP G/G MINISCAN (UVS): G 1202.8-1225.9 (CTR 1215.1, STEP 54) [EVEN FRAMES], G 1290.5-1313.5 (CTR 1302.8, STEP 111) [ODD FRAMES] Strategy for MINISCANS: Alternate 30-RIM MINISCANS and 30-RIM HVOFFs for PWS quiet	
Design Detail		
PSID	RIM:mf	CDS PA
384BN	0	0 COMMENT [UVS RIM 0]
61BB	2	37 LOOPER [LOOP PERIOD 60, NUM LOOPS 18]
157BM	4	38 CMDRS (10+14*2) [PLAN DUR 31, EST UVS CMDS 2]
349MP	4:69	28 UVFLUSH [6UVRT, DISCRD, UVS]
165BJ	5	36 TARGET [CONE 70.00, CLOCK 96.10, POSITION SLEW ALLOCATION 4]
	5	34UVS,D1,F,N,N,N,S,0,OFF,OFF,ON,ON,OFF,NO,1,5A,45,00,39 [16STEP G/G]
	35	34UVS,C1,F,N,N,N,S,0,OFF,OFF,ON,OFF,OFF,NO,1,2C,05,00,00 [HVOFF]
349MQ	123:69	252 UVFLUSH (28*9) [6UVRT, PACKET, UVS]
...MY		... [REPEAT 8 ADDITIONAL TIMES]



ESIGN G2.0 jdods:12/16/1996 13:32:27

FILE:P.E6TUGTORUS01

TARGET BODY : GANYMEDE

INI:m.E6TUGTORUS01

EPH:/DATA/NAVIO/T-961107-TOUR.NS

ERIAPSIS:

THINNING:

:UVS 25

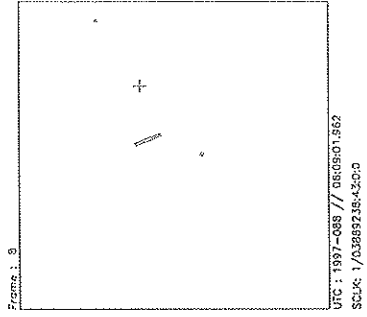
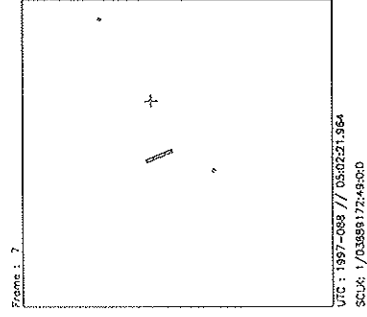
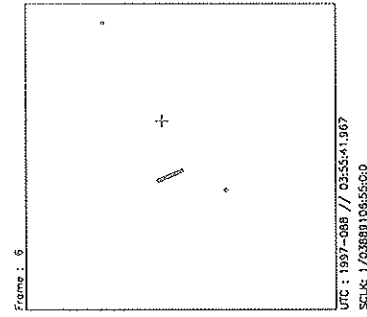
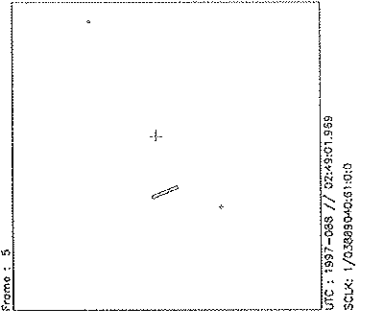
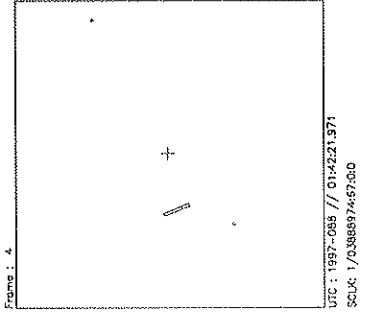
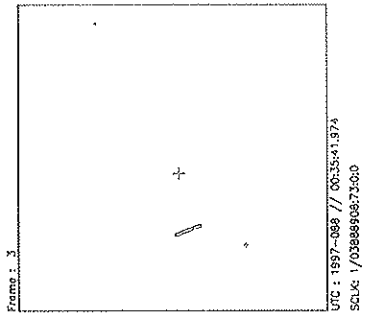
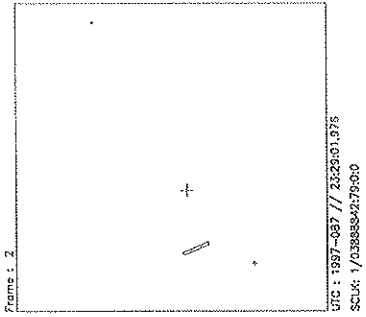
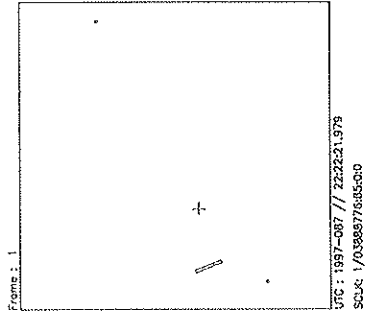
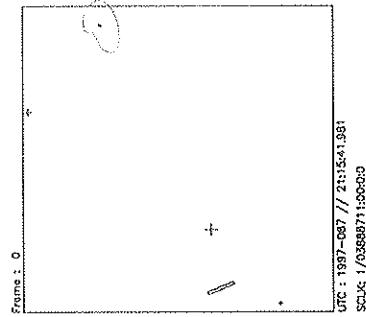
TART:JEE 97-051/20:52:52.600 +CDS 51105:00:0 BODY PLOT TIME:CENTER-TIME D=***** S= 0.005

EX-GANYMEDE

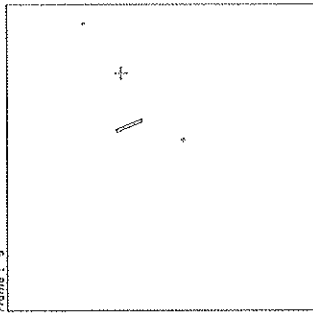
E6TV670K101

Start UTC_TIME : 1997-087 // 21:15:41.981
No. End Time :
Start SCLK : 1/03888711:00:0:0

Target Body : GANYMEDE
Target Cone/Clock : 61.01 / 96.53 Deg
S/C to Body Center : 4940447. Km (1875.6444 Rg)
Z-axis Pointing (Rc / Dec) : 136.90 / 15.10 Deg

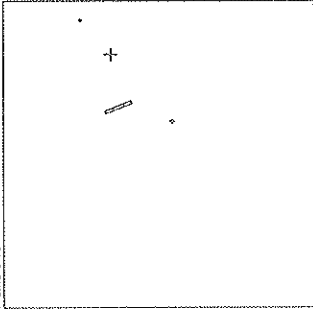


Frame : 9



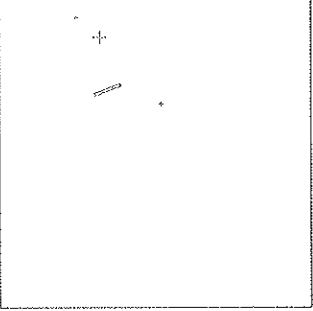
UTC : 1997-088 // 07:15:41.959
SCLK : 1/038897054:37500

Frame : 10



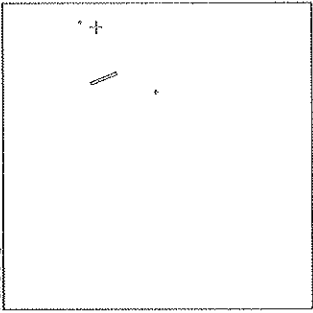
UTC : 1997-088 // 08:22:21.957
SCLK : 1/038897054:31000

Frame : 11



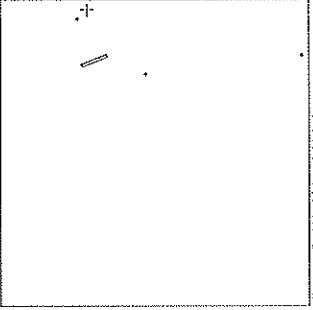
UTC : 1997-088 // 09:28:01.854
SCLK : 1/0388943525000

Frame : 12



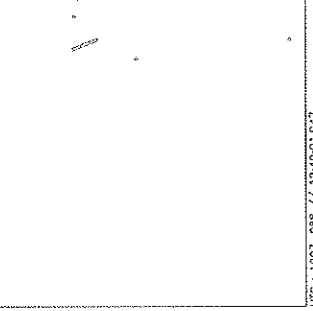
UTC : 1997-088 // 10:25:41.952
SCLK : 1/038895021:9000

Frame : 13



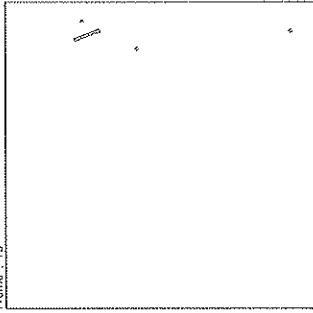
UTC : 1997-088 // 11:42:21.949
SCLK : 1/038895984:13000

Frame : 14



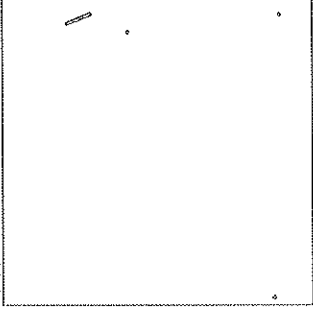
UTC : 1997-088 // 12:48:01.847
SCLK : 1/038898344:07000

Frame : 15



UTC : 1997-088 // 13:52:41.844
SCLK : 1/038897050:1000

Frame : 16

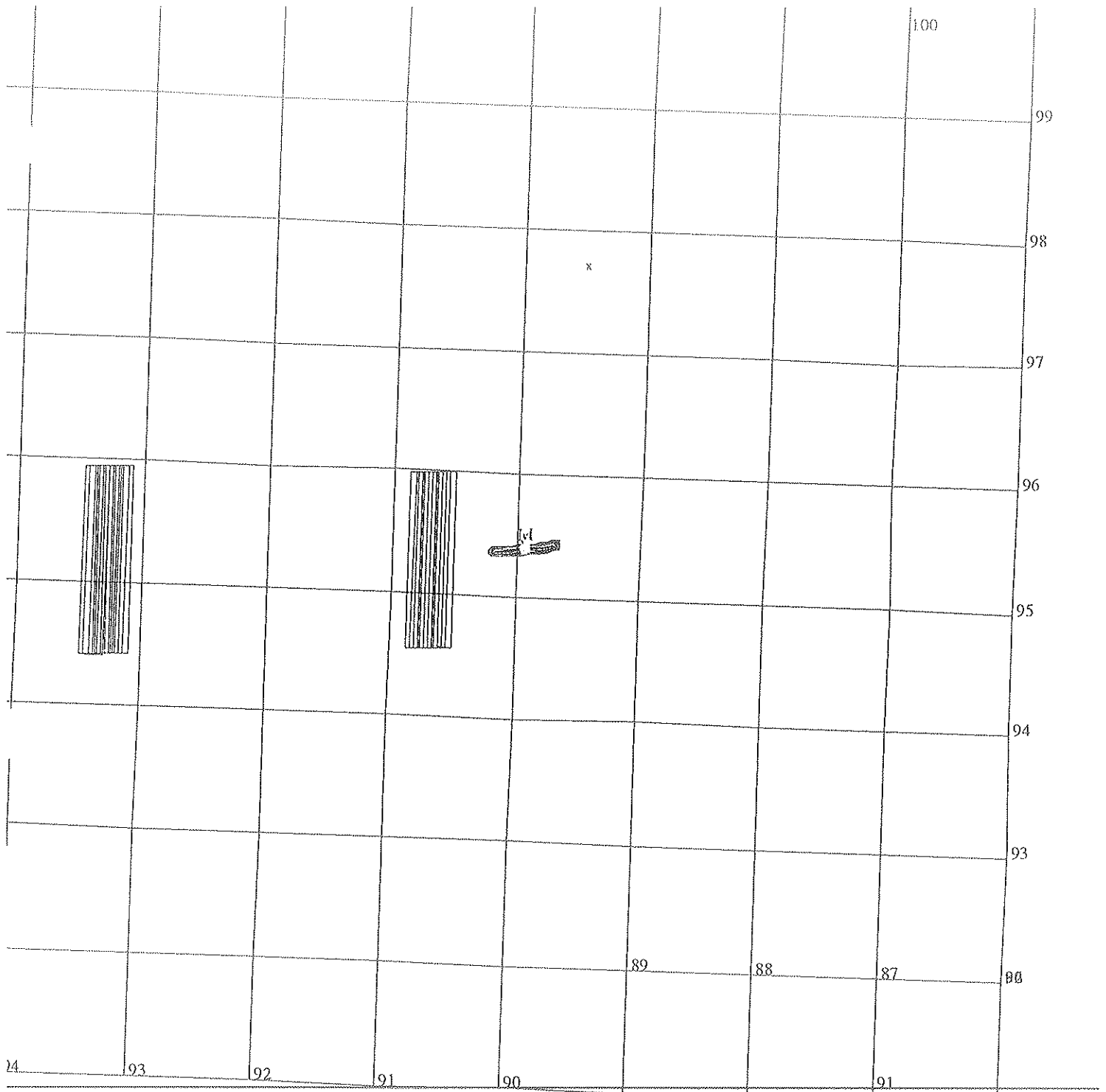


UTC : 1997-088 // 15:02:21.942
SCLK : 1/038897658:86000

Start UTC_TIME : 1997-087 // 21:15:41.981
No End Time :
Start SCLK : 1/038888711:00:0:0

Target Body : GANYMEDE
Target Cone/Clock : 66.23 / 96.27 Deg
S/C to Body Center : 4557166. Km (1730.1314 Rg)
Z-axis Pointing (Ra / Dec) : 136.90 / 15.10 Deg

Activity ID: Orbit E6		OAPEL TUCTORUS		SeqNo 01-	
Title	UVS CALLISTO NEUTRAL TORUS G7 INBOUND			Instrument	UVS
Requestor	UVS-MWG/S.STEPHENS	Team	UVS	Working Group	MWG
Time System	CDS	Load ID	Calendar Date	03/29/97	Week 13
Start	JEE+CDS 00052702:00:0	97-088/21:00:27.266	JEE+037/00:07:34.666		
End	JEE+CDS 00053787:00:0	97-089/15:17:30.600	JEE+037/18:24:38.000		
Duration	00001085:00:0	000/18:17:03.334	000/18:17:03.334		
Top Label	E6TUCTORUS02-				
Bottom Label	(UVS RTS Callisto Torus)				
Plot Key	UVS	Type	SCI		
CDS Bytes	502	Report Options	BOTH	Scan Platform	Yes
CDS Source	PA	Spin State	DUAL	DMS	No
Observation Objective					
<p>UVS CALLISTO NEUTRAL TORUS MIDNIGHT ANSA PROFILE 1, LOW RATE, G7 INBOUND: From: 28.32 Rj (outside Callisto ansa) at cone 90 (ansa at 25.64 Rj) To: 22.30 Rj (inside Callisto ansa) at cone 90 Data rate: Instrument states last 120 RIMS; thus, 2.43 bps UVS OPTRTM/UVFLUSH STRATEGY (17,712 bits per UVS or EUV PACKET): UVS deselected; thus, 120-RIM UVFLUSHes needed to PACKET UVS, after initial DISCRDs WAVELENGTHS (Angstroms): Emission lines: UVS (H2 1216, neutral O 1304) 2 POSN-16STEP G/G MINISCAN (UVS): G 1202.8-1225.9 (CTR 1215.1, STEP 54) [EVEN FRAMES], G 1290.5-1313.5 (CTR 1302.8, STEP 111) [ODD FRAMES] Strategy for MINISCANS: Alternate 30-RIM MINISCANS and 30-RIM HVOFFs for PWS quiet,</p>					
Design Detail					
PSID	RIM:mf	CDS	PA		
384BO	0	0	COMMENT [UVS RIM 0]		
61BC	2	37	LOOPER [LOOP PERIOD 60, NUM LOOPS 4]		
157BN	4	38	CMDRS (10+14*2) [PLAN DUR 31, EST UVS CMDS 2]		
349NA	4:69	28	UVFLUSH [6UVRT, DISCRD, UVS]		
165BK	5	36	TARGET [CONE 90.00, CLOCK 95.30, POSITION SLEW ALLOCATION 4]		
	5		34UVS,D1,F,N,N,N,S,0,OFF,OFF,ON,ON,OFF,NO,1,5A,45,00,39 [16STEP G/G]		
	35		34UVS,C1,F,N,N,N,S,0,OFF,OFF,ON,OFF,OFF,NO,1,2C,05,00,00 [HVOFF]		
349NB	123:69	28	UVFLUSH [6UVRT, PACKET, UVS]		
349NC	243:69	28	UVFLUSH [6UVRT, PACKET, UVS]		
61BD	362	37	LOOPER [LOOP PERIOD 60, NUM LOOPS 12]		
157BO	364	38	CMDRS (10+14*2) [PLAN DUR 31, EST UVS CMDS 2]		
349ND	364:69	28	UVFLUSH [6UVRT, DISCRD, UVS]		
165BL	365	36	TARGET [CONE 90.00, CLOCK 95.30, POSITION SLEW ALLOCATION 4]		
	365		34UVS,D1,F,N,N,N,S,0,OFF,OFF,ON,ON,OFF,NO,1,5A,45,00,39 [16STEP G/G]		
	395		34UVS,C1,F,N,N,N,S,0,OFF,OFF,ON,OFF,OFF,NO,1,2C,05,00,00 [HVOFF]		
349NE	483:69	168	UVFLUSH (28*6) [6UVRT, PACKET, UVS]		
...NI,MZ			... [REPEAT 5 ADDITIONAL TIMES]		



165BK:TT= 0 TMC= 1 C= 0.00 XC= 0.00 BS= 0/1774 TC= 2(90 95.3)
 A= 728 pD=174902 SR=17.450 RA50=221.84 DEC50=-18.30 cone= 90.00 clock= 95.30
 165BL:TT= 0 TMC= 1 C= 0.00 XC= 0.00 BS= 0/7294 TC= 2(90 95.3)
 A= 728 pD= 0 SR=17.450 RA50=221.84 DEC50=-18.30 cone= 90.00 clock= 95.30

ESIGN G2.0 jdods:12/16/1996 13:31:35

ILE:P.E6TUCTORUS01

ARGET BODY : CALLISTO

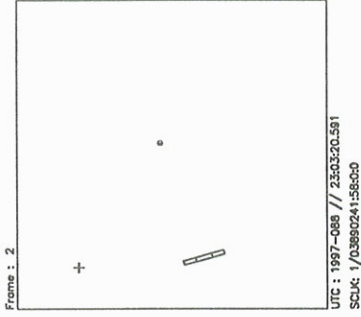
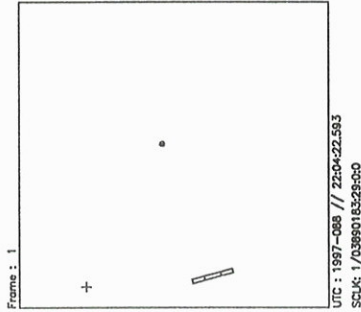
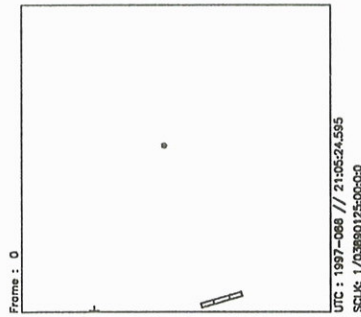
INI:m.E6TUCTORUS01

EPH:/DATA/NAVIO/T-961107-TOUR.NS

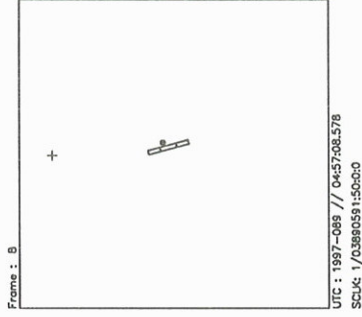
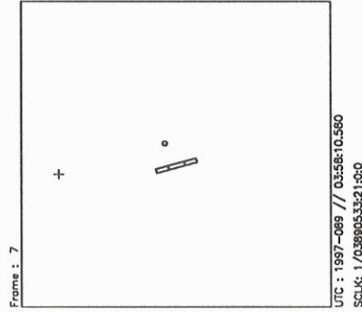
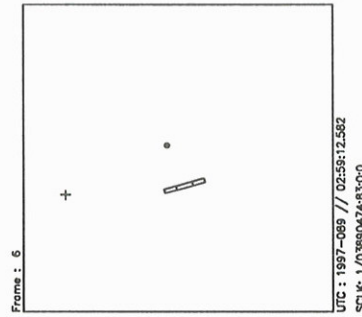
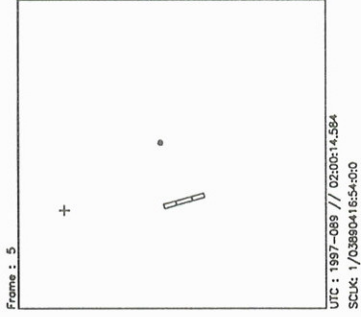
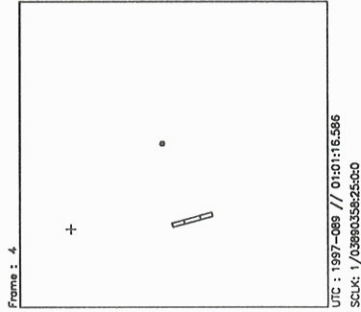
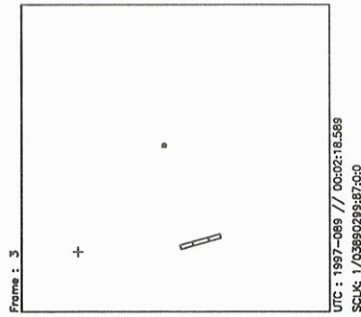
ERIAPSIS:

THINNING: :UVS 25

TART:JEE 97-051/20:52:52.600 +CDS 52707:00:0 BODY PLOT TIME:CENTER-TIME D= 0 S= 0.010

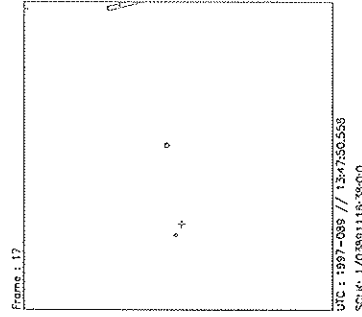
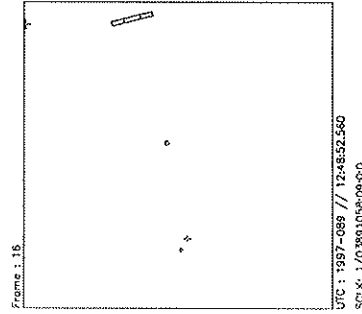
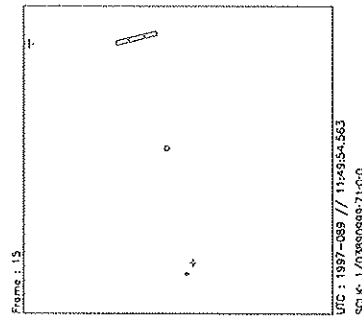
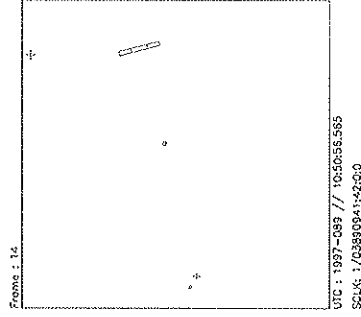
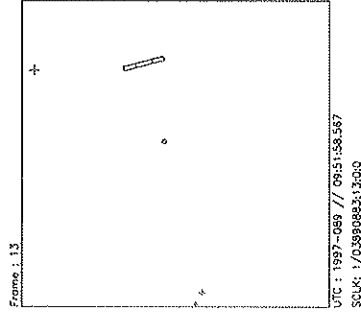
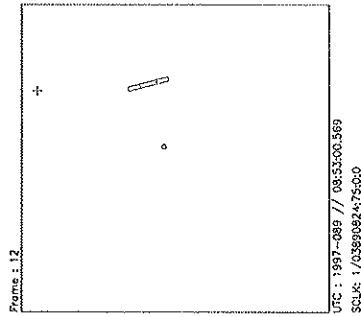
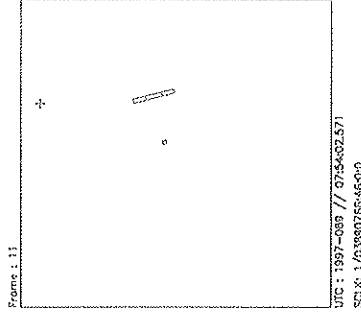
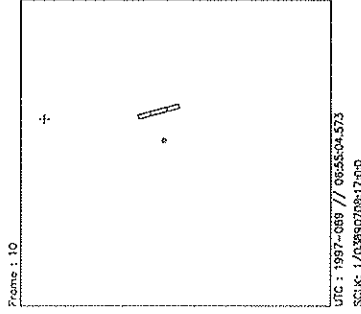
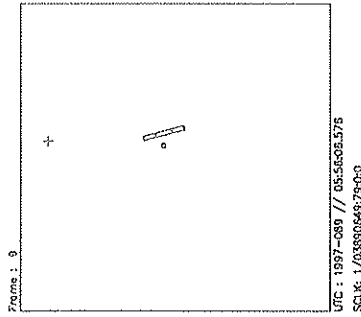


E6TUCTORUSØ1



Start UTC.TIME : 1997-088 // 21:05:24.595
No End Time :
Start SCLK : 1/03890125:00:00
Delta Time between FOV : 3536.000
FOVs : F Channel(0.1x0.4), N/G Channel(0.5x0.5)

Target Body : CALLISTO
Target Cone/Clock : 86.88 / 95.49 Deg
S/C to Body Center : 3509775. Km (1460.5805 Rc)
Z-axis Pointing (Ra / Dec) : 136.90 / 15.10 Deg

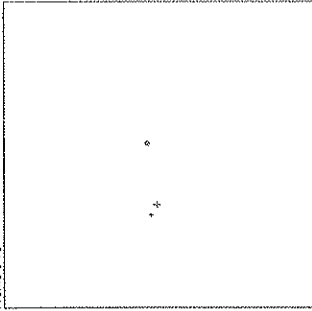


Start UTC_TIME : 1997-088 // 21:05:24.595
No End Time
Start SCLK : 1/03890125:00:0:0
Delta Time between FOV : 3538.000
FOVs : F Channel(0.1x0.4), N/G Channel(0.5x0.5)

Target Body : CALLISTO
Target Cone/Clock : 90.32 / 95.37 Deg
S/C to Body Center : 3174/61. Km (1321.1655 Rc)
Z-axis Pointing (Ra / Dec) : 136.90 / 15.10 Deg

11 Feb 24 16:57:30 1997

Frame: 18



UTC : 1997-089 // 14:46:48.536
 SCLK : 1/03890174687.030

Start UTC_TIME : 1997-088 // 21:05:24.595
 No End Time :
 Start SCLK : 1/03890125:00:0:0
 Delta Time between FOV : 3538.000
 FOVs : F Channel(0.1x0.4), N/G Channel(0.5x0.5)

Target Body : CALLISTO
 Target Cone/Clock : 93.93 / 95.24 Deg
 S/C to Body Center : 284002.: Km (1181.8685 Rc)
 Z-axis Pointing (Ra / Dec) : 136.90 / 15.10 Deg