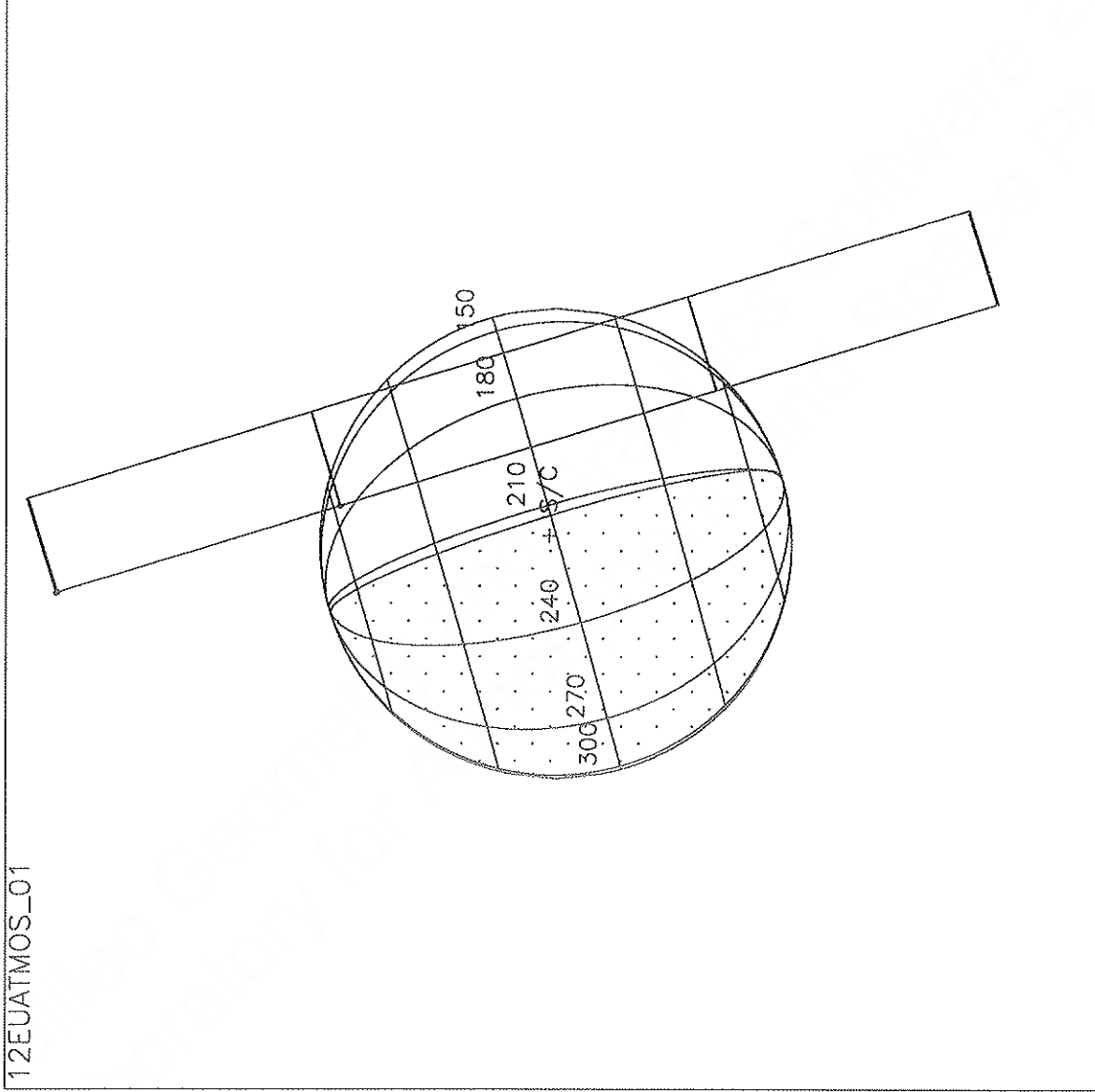


Activity ID:	Orbit 12	OAPEL EUATMOS_	SeqNo	01-
Title	UVS Europa Atmosphere Observation		Instrument	UVS
Requestor	UVS-SWG/W. SWEET X30523	Team	UVS	Working Group SWG
Time System	CDS	Load ID	12A	Calendar Date 12/15/97 Week 50
Start	JEE-CDS 00001053:00:0		97-349/12:49:54.400	JEE-000/17:44:42.000
End	JEE-CDS 00000959:00:0		97-349/14:24:57.067	JEE-000/16:09:39.333
Duration	00000094:00:0		000/01:35:02.667	000/01:35:02.667
Top Label	12EUATMOS_01-			
Bottom Label	real-time			
Plot Key	UVS	Type	SCI	
CDS Bytes	148	Report Options	BOTH	Scan Platform Yes
CDS Source	OAP	Spin State	DUAL	DMS No
Observation Objective				
<p>12EUATMOS_01: Europa atmosphere observation. We will look for Europa atmospheric emissions (oxygen, hydrogen and sulfur, as well as other possibilities). We will also monitor the tenuous atmosphere for possible outgassing episodes. Observe Europa's atmosphere for ~1 1/2 hours, targeting the body with TMC. Sunlight, 200' longitude, 97' phase. Center slit on lit side.</p> <p>Rj = 13.7 UVS configuration: full G/G scans.</p> <p>MBTG = 17712 bits/flush * 1 flushes = 0.018</p>				
Design Detail				
CDS RIM COMMAND PARAMETERS				PSID
0 000 COMMENT UVS RIM 0				(384CA)
28 003+UVFLUSH DISCRD,UVS				(349CA)
38 003 CMDRS				(157CA)
004 1 34UVS,07,S,N,N,N,S,0,OFF,OFF,	ON, ON,OFF,NOOVR,1,2C,9D,00,00			
094 91 34UVS,C1,F,N,N,N,S,0,OFF,OFF,	ON,OFF,OFF,NOOVR,1,2C,05,00,00			
54 004 TARGET with TMC on body				(165CA)
28 093+UVFLUSH PACKET,UVS				(349CB)

Thu Nov 20 21:46:06 1997

12EUATMOS_01



Start UTC_TIME : 1997-349 // 12:53:51.695

No End Time :

Start SCLK : 1/04261349:00:0:0

Target Body : EUROPA

Target Ra/Dec : 227.25/-20.25 Deg

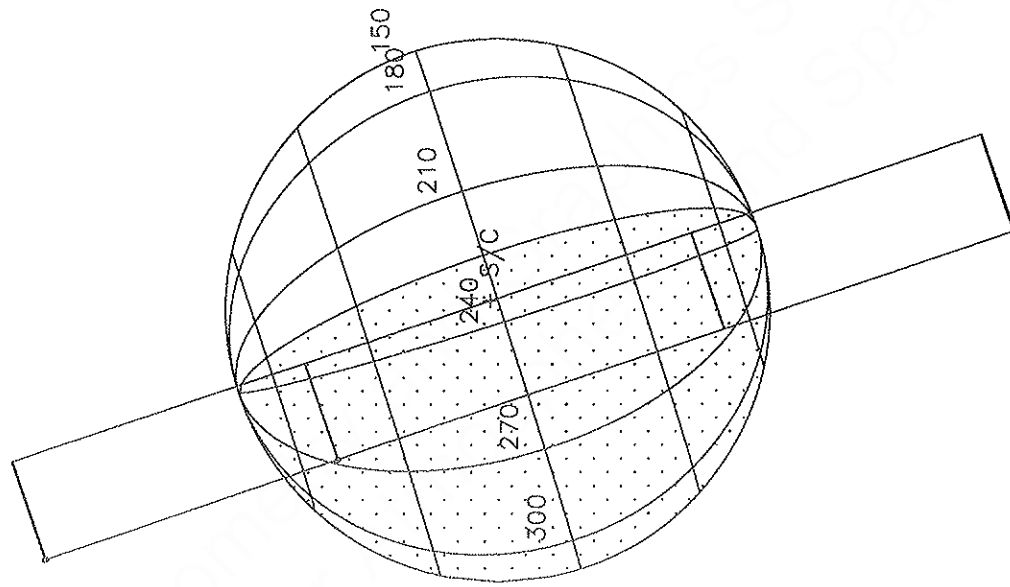
S/C to Body Center : 374254.1 Km (239.14003 Re)

Z-axis Pointing (Ra / Dec) : 140.40 / 17.20 Deg

Activity ID:	Orbit 12	OAPEL EUATMOS_	SeqNo	02-
Title	UVS Europa Atmosphere Observation		Instrument	UVS
Requestor	UVS-SWG/W. SWEET X30523	Team	UVS	Working Group SWG
Time System	CDS	Load ID	12A	Calendar Date 12/15/97 Week 50
Start	JEE-CDS 00000875:00:0		97-349/15:49:53.067	JEE-000/14:44:43.333
End	JEE-CDS 00000781:00:0		97-349/17:24:55.734	JEE-000/13:09:40.666
Duration	00000094:00:0		000/01:35:02.667	000/01:35:02.667
Top Label	12EUATMOS_02-			
Bottom Label	real-time			
Plot Key	UVS	Type	SCI	
CDS Bytes	148	Report Options	BOTH	Scan Platform Yes
CDS Source	OAP	Spin State	DUAL	DMS No
Observation Objective				
<div style="border: 1px solid black; padding: 5px;"> <p>12EUATMOS_02: Second Europa Atmosphere observation. We will look for Europa atmospheric emissions (oxygen, hydrogen and sulfur, as well as other possibilities). We will also monitor the tenuous atmosphere for possible outgassing episodes. Observe Europa's atmosphere for ~1 1/2 hours, targeting the body with TMC. Sunlight, 200' longitude, 102' phase. Center slit on dark side.</p> <p>Rj = 12.5 UVS configuration: F/F 33 step 3090 Å</p> <p>MBTG = 17712 bits/flush * 1 flushes = 0.018</p> </div>				
Design Detail				
CDS RIM COMMAND PARAMETERS				PSID
0 000 COMMENT UVS RIM 0				(384CB)
28 003+UVFLUSH DISCRD,UVS				(349CC)
38 003 CMDRS				(157CB)
004 1 34UVS,D7,F,N,N,N,S,0, ON,OFF,OFF, ON,OFF,NOOVR,1,D0,5D,00,00				
094 91 34UVS,C1,F,N,N,N,S,0,OFF,OFF, ON,OFF,OFF,NOOVR,1,2C,05,00,00				
54 004 TARGET with TMC on body				(165CB)
28 093+UVFLUSH PACKET,UVS				(349CD)

Fri Nov 21 18:36:45 1997

12EUATMOS_02



Start UTC_TIME : 1997-349 // 15:53:50.355

No End Time :

Start SCLK : 1/04261527:00:0:0

Target Body : EUROPA

Target Cone/Clock : 88.22 / 95.29 Deg

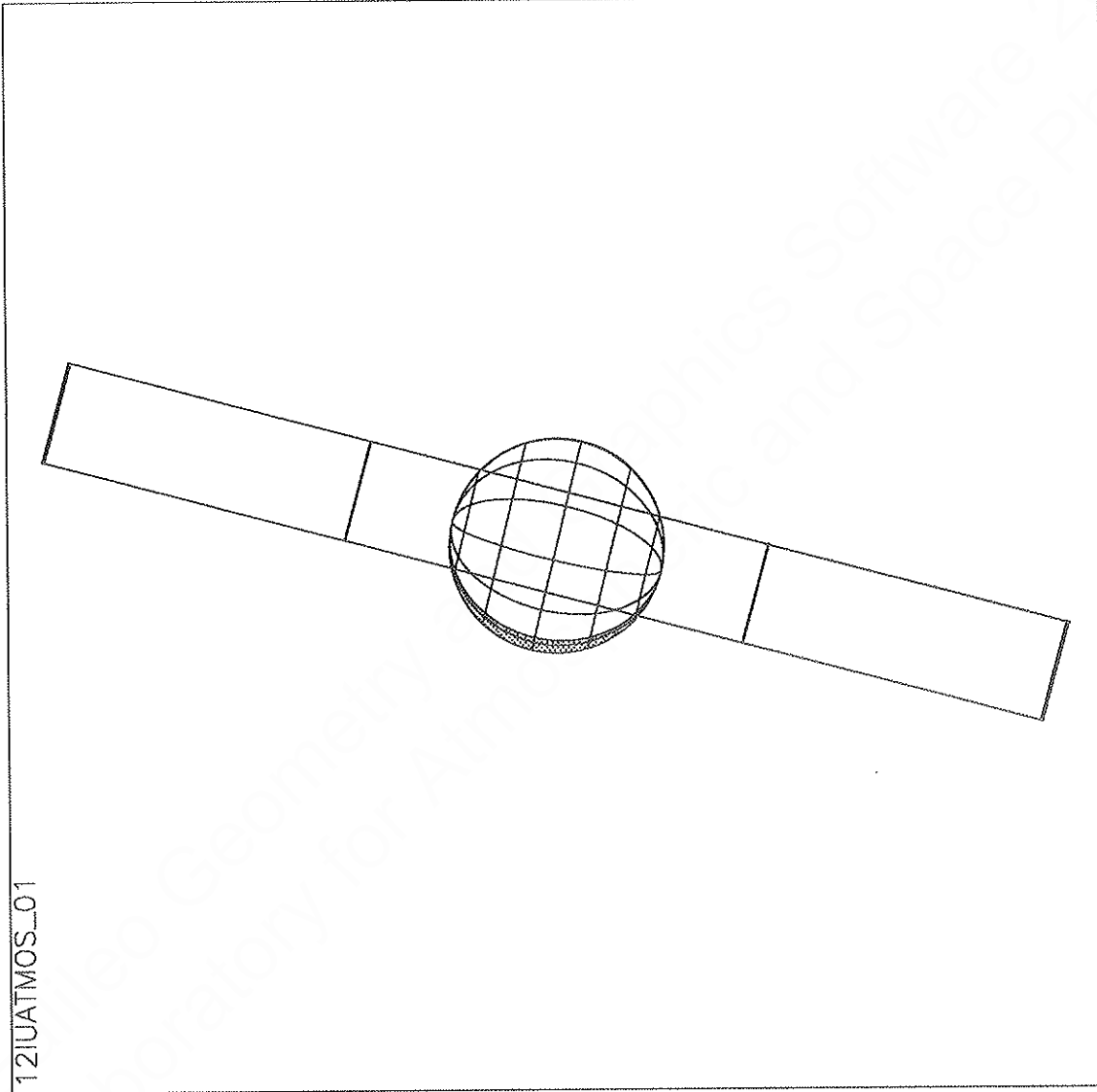
S/C to Body Center : 337290.4 Km (215.52105 Re)

Z-axis Pointing (Ra / Dec) : 140.40 / 17.20 Deg

Activity ID: Orbit 12		OAPEL IUATMOS_		SeqNo 01-	
Title	UVS Io Atmosphere Observation			Instrument	UVS
Requestor	UVS-SWG/W. SWEET X30523	Team	UVS	Working Group	SWG
Time System	CDS	Load ID	12A	Calendar Date	12/15/97
				Week	50
Start	JEE-CDS 00000689:00:0		97-349/18:57:57.067		JEE-000/11:36:39.333
End	JEE-CDS 00000415:00:0		97-349/23:34:59.734		JEE-000/06:59:36.666
Duration	00000274:00:0		000/04:37:02.667		000/04:37:02.667
Top Label	12IUATMOS_01-				
Bottom Label	real-time				
Plot Key	UVS	Type	SCI		
CDS Bytes	450	Report Options	BOTH	Scan Platform	Yes
CDS Source	OAP	Spin State	DUAL	DMS	No
Observation Objective					
<div style="border: 1px solid black; padding: 5px;"> <p>12IUATMOS_01: Io atmosphere observation. We investigate Io atmospheric emissions (sulfur and oxygen). We will also monitor the tenuous atmosphere for variations due to volcanic activity and SO2 frost sublimation. Observe Io's for ~4 1/2 hours. Sunlight, 50' longitude, 29' phase. First 1 1/2 hour, target body with TMC. Second 1 1/2 hour, target body with TMC: **Check if PWS quiet is needed. If so, 1-step, 2-postion G/G command for PWS quiet. Third 1 1/2 hour, observe Io at: -1 Io radii, target with TMC for 30 minutes 1 Io radii, target with TMC for 30 minutes 2 Io radii, target with TMC for 30 minutes Rj = 11.3 UVS configuration: 1304-1304Å 16 step mini-scan G/G</p> </div>					
Design Detail					
CDS RIM	COMMAND	PARAMETERS	PSID		
0	000	COMMENT UVS RIM 0	(384CC)		
28	003+UVFLUSH	DISCRD,UVS	(349CE)		
66	003	CMDRS	(157CC)		
	004	1 34UVS,D1,F,N,N,N,S,0,OFF,OFF,	ON, ON,OFF,NOOVR,1,94,45,00,00		
	094	91 34UVS,C1,F,N,N,N,S,0,OFF,OFF,	ON, ON,OFF,NOOVR,1,9C,05,00,0A		
	184	181 34UVS,D1,F,N,N,N,S,0,OFF,OFF,	ON, ON,OFF,NOOVR,1,94,45,00,00		
	274	271 34UVS,C1,F,N,N,N,S,0,OFF,OFF,	ON,OFF,OFF,NOOVR,1,2C,05,00,00		
54	004	TARGET with TMC on body	(165CC)		
28	092+UVFLUSH	PACKET,UVS	(349CF)		
28	182+UVFLUSH	PACKET,UVS	(349CG)		
54	184	TARGET with TMC -1 off body	(165CD)		
28	212+UVFLUSH	PACKET,UVS	(349CH)		
54	214	TARGET with TMC 1 off body	(165CE)		
28	242+UVFLUSH	PACKET,UVS	(349CI)		
54	244	TARGET with TMC 2 off body	(165CF)		
28	273+UVFLUSH	PACKET,UVS	(349CJ)		

Tue Nov 4 23:26:43 1997

12IUATMOS_01

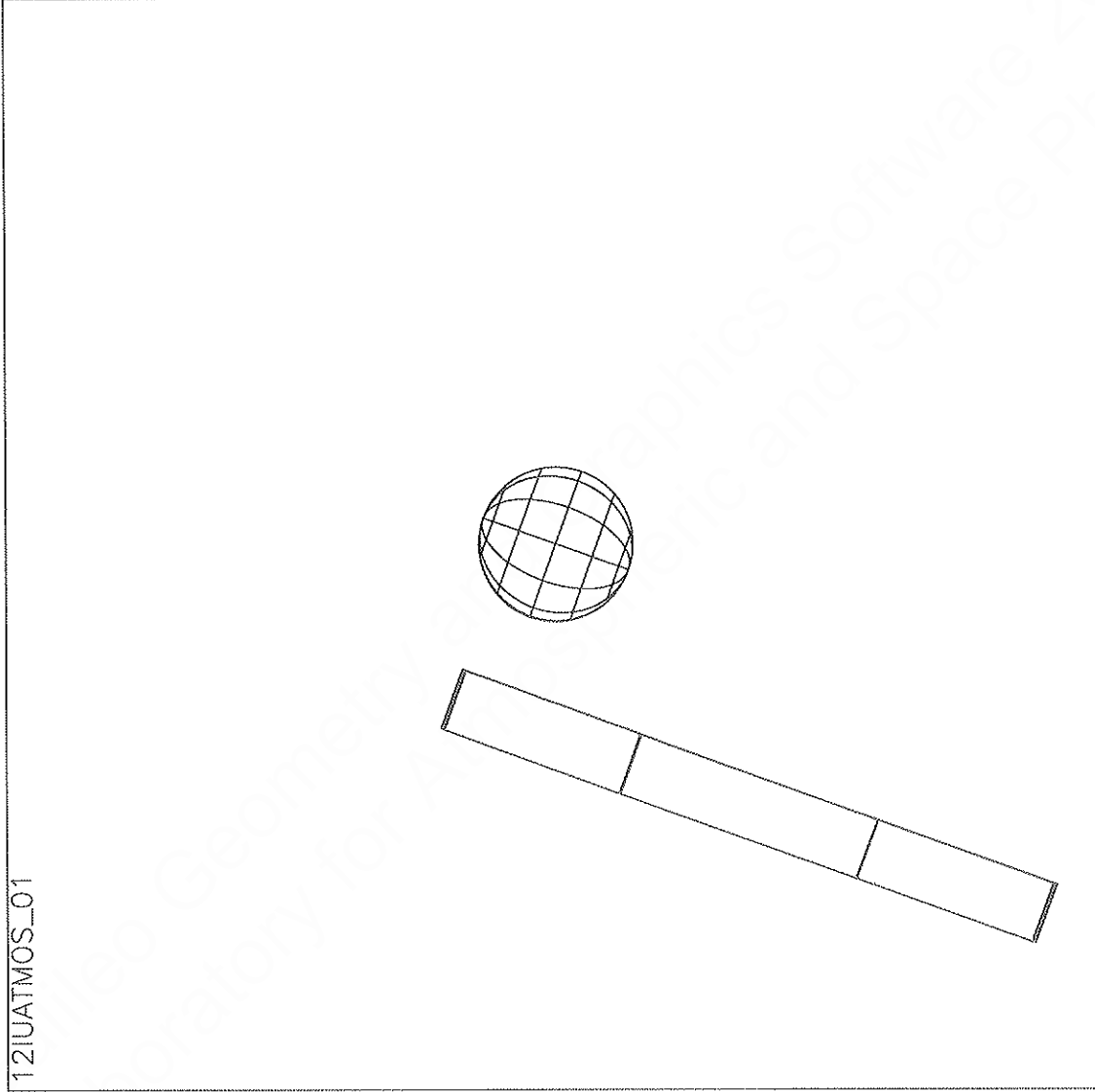


150 OBSERVATION

Start UTC_TIME : 1997-349 // 19:01:54.348
No End Time :
Start SCLK : 1/04261713:00:0:0
Target Body : IO
Target Ra/Dec : 301.54 / -21.51 Deg
S/C to Body Center : 995925.0 Km (545.90678 RI)
Z-axis Pointing (Ra / Dec) : 140.40 / 17.20 Deg

Fri Nov 14 22:44:01 1997

12IUATMOS_01



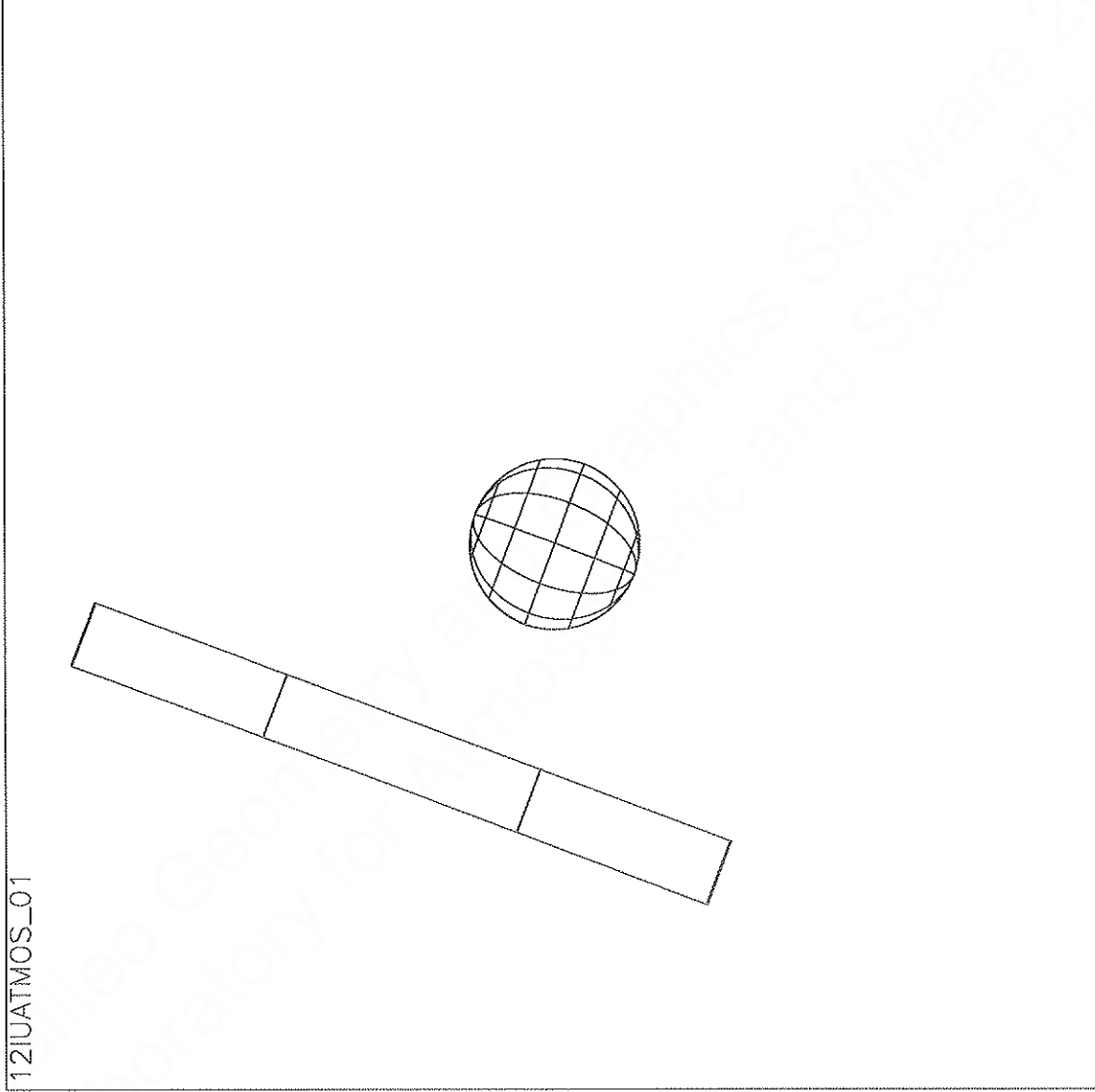
2nd observation

Start UTC_TIME : 1997-349 // 22:01:53.009
No End Time :
Start SCLK : 1/04261891:00:0:0

Target Body : IO
Target Ro/Dec : 319.59/-16.29 Deg
S/C to Body Center : 851829.0 Km (466.92189 RI)
Z-axis Pointing (Ro / Dec) : 140.40 / 17.20 Deg

Fri Nov 14 22:49:20 1997

12IUATMOS_01



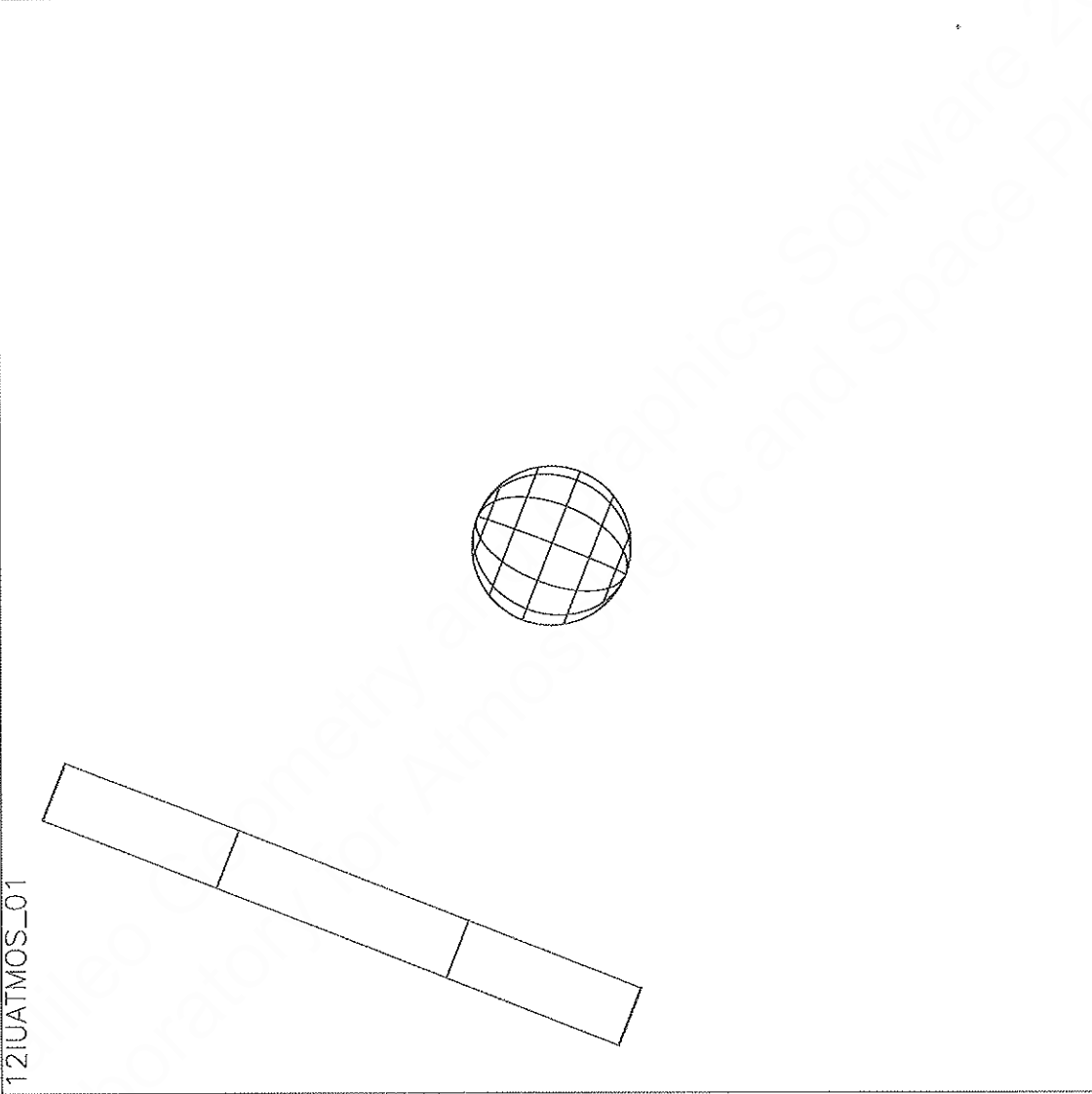
3/0 OBSERVATION

Start UTC_TIME : 1997-349 // 22:33:13.674
No End Time :
Start SCLK : 1/04261922:00:0:0
Target Body : IO
Target Ra/Dec : 322.81 / -15.14 Deg
S/C to Body Center : 829174.6 Km (454.50412 Ri)
Z-axis Pointing (Ra / Dec) : 140.40 / 17.20 Deg

Fri Nov 14 22:57:32 1997

400 observations

12IUATMOS_01



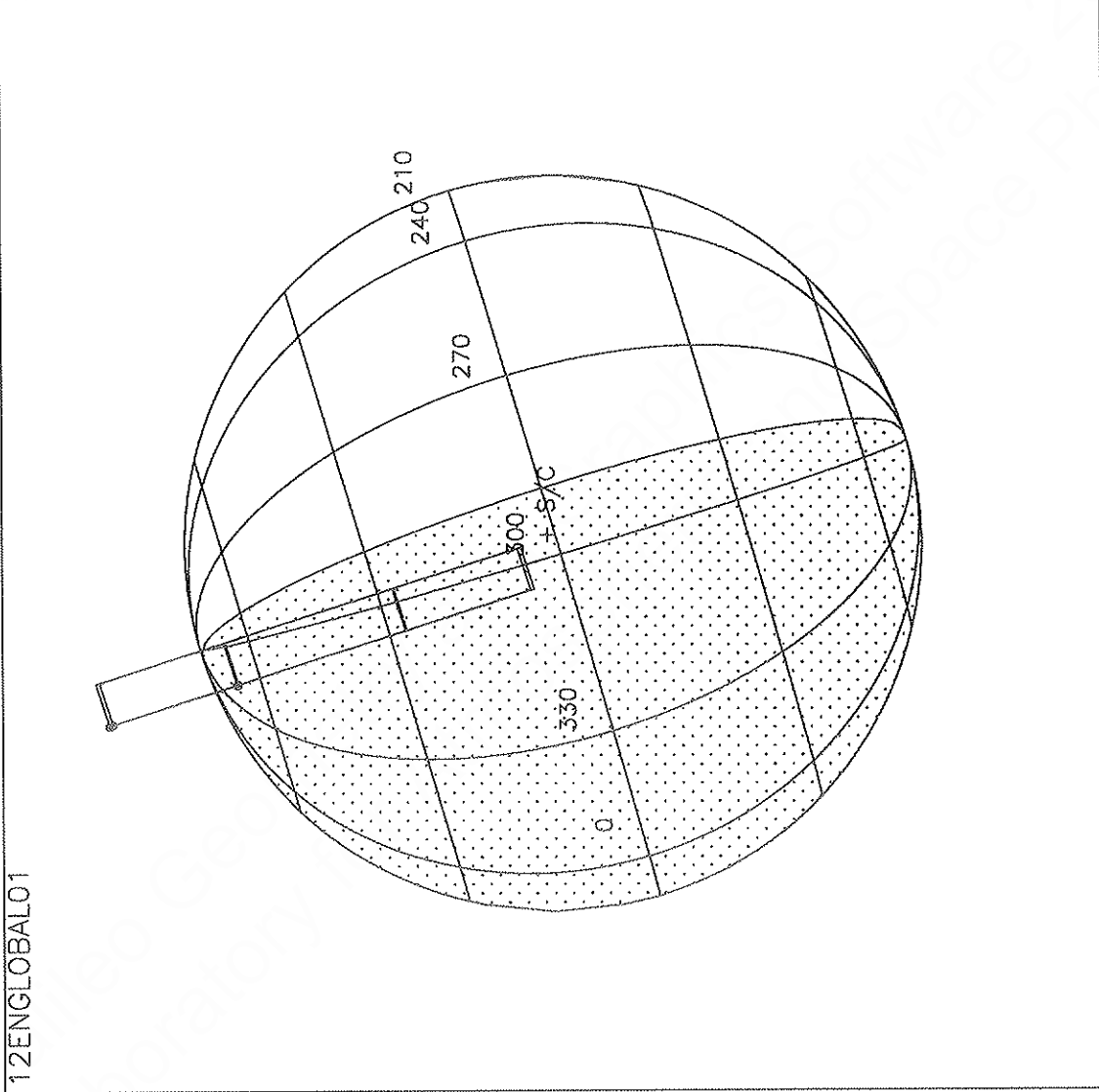
Start UTC_TIME : 1997-349 // 23:03:33.673
No End Time :
Start SCLK : 1/04261952:00:0:0

Target Body : iO
Target Ro/Dec : 325.95/-13.97 Deg
S/C to Body Center : 808075.7 Km (442.93895 Ri)
Z-axis Pointing (Ra / Dec) : 140.40 / 17.20 Deg

Activity ID:	Orbit 12	OAPEL EUGLOBAL	SeqNo	01+
Title	UVS r/a Europa Global Observation		Instrument	UVS
Requestor	UVS-SWG/W. SWEET X30523	Team	UVS	Working Group
				SWG
Time System	CDS	Load ID	12A	Calendar Date
				12/16/97
Week				51
Start	EEE-CDS 00000300:00:0		97-350/07:01:23.442	EEE-000/05:03:20.000
End	EEE-CDS 00000264:00:0		97-350/07:37:47.442	EEE-000/04:26:56.000
Duration	00000036:00:0		000/00:36:24.000	000/00:36:24.000
Top Label	12EUGLOBAL01+			
Bottom Label	NIMS ride-along			
Plot Key	UVS	Type	SCI	
CDS Bytes	38	Report Options	BOTH	Scan Platform
				Yes
CDS Source	OAP	Spin State	DUAL	DMS
				Yes
Observation Objective				
<div style="border: 1px solid black; width: 150px; height: 100px; display: inline-block; vertical-align: top; margin-right: 10px;"></div> <p>12EUGLOBAL01: Ride-along with the NIMS 12EUGLOBAL01 observation to observe Europa in the 1600Å to 3200Å wavelength regions at phase angles not obtainable from the Earth. Data will supplement and complement the NIMS surface property measurements.</p> <p>Rj = 8.8, sunlight UVS configuration: full F/F scans.</p> <p>MBTG = ((1008 bps) * (2212 sec)) * 0.3 (compression) = 0.669</p>				
Design Detail				
CDS	RIM	COMMAND	PARAMETERS	PSID
38	000	CMDRS		(157CD)
	004	4	34UVS,07,S,N,N,N,S,0, ON,OFF,OFF, ON,OFF,NOOVR,1,00,9C,00,00	
	036	36	34UVS,C1,F,N,N,N,S,0,OFF,OFF, ON,OFF,OFF,NOOVR,1,2C,05,00,00	

Tue Nov 4 23:40:54 1997

12ENGLOBAL01

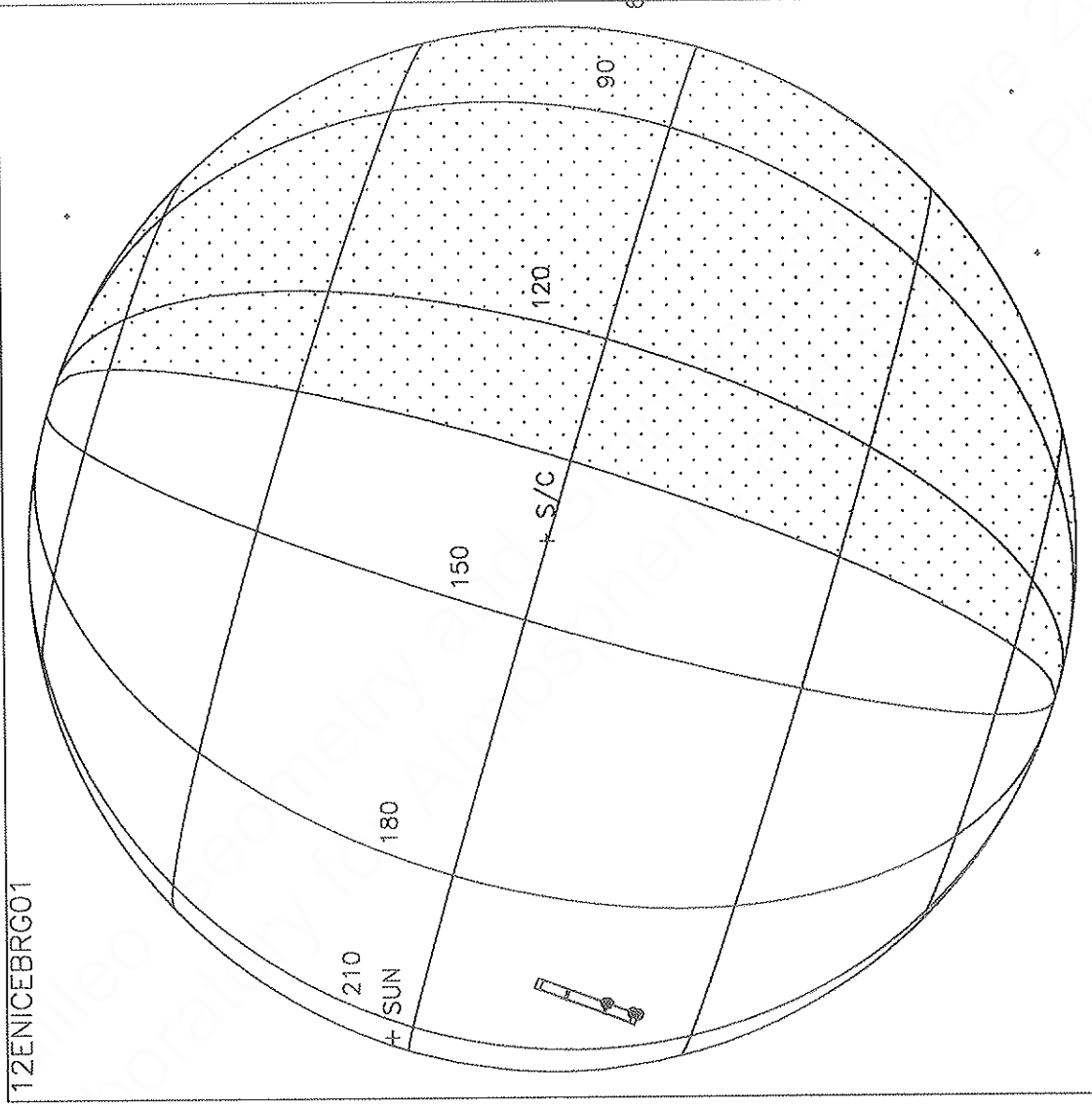


Start UTC_TIME : 1997-350 // 07:03:50.322
No End Time :
Start SCLK : 1/04262427:00:0:0
Target Body : EUROPA
Target Ra/Dec : 225.56/-19.74 Deg
S/C to Body Center : 108198.5 Km (69.136430 Re)
Z-axis Pointing (Ra / Dec) : 140.40 / 17.20 Deg

Activity ID:	Orbit 12	OAPEL EUICEBRG	SeqNo	01+
Title	UVS r/a Europa Surface Composition		Instrument	UVS
Requestor	UVS-SWG/W. SWEET X30523	Team	UVS	Working Group SWG
Time System	CDS	Load ID	12A	Calendar Date 12/16/97 Week 51
Start	EEE+CDS 00000025:00:0		97-350/12:28:29.732	EEE+000/00:25:16.666
End	EEE+CDS 00000040:00:0		97-350/12:43:39.732	EEE+000/00:40:26.666
Duration	00000015:00:0		000/00:15:10.000	000/00:15:10.000
Top Label	12EUICEBRG01+			
Bottom Label	NIMS ride-along			
Plot Key	UVS	Type	SCI	
CDS Bytes	38	Report Options	BOTH	Scan Platform Yes
CDS Source	OAP	Spin State	DUAL	DMS Yes
Observation Objective				
	12EUICEBRG01: Ride-along with the NIMS 12EUICEBRG01 observation to observe Europa in the 1600Å to 3200Å wavelength regions at phase angles not obtainable from the Earth. Data will supplement and complement the NIMS surface property measurements.			
	Rj = 9.6, sunlight			
	UVS configuration: full F/F scans.			
	MBTG = ((1008 bps) * (840 sec)) * 0.3 (compression) = 0.25402			
Design Detail				
CDS	RIM	COMMAND	PARAMETERS	PSID
38	000	CMDRS		(157CF)
	004	1	34UVS,07,S,N,N,N,S,0, ON,OFF,OFF, ON,OFF,NOOVR,1,00,9C,00,00	
	015	12	34UVS,C1,F,N,N,N,S,0,OFF,OFF, ON,OFF,OFF,NOOVR,1,2C,05,00,00	

Tue Nov 4 23:49:43 1997

12ENICEBRG01



Start UTC_TIME : 1997-350 // 12:47:36.977

No End Time :

Start SCLK : 1/04262767:00:0:0

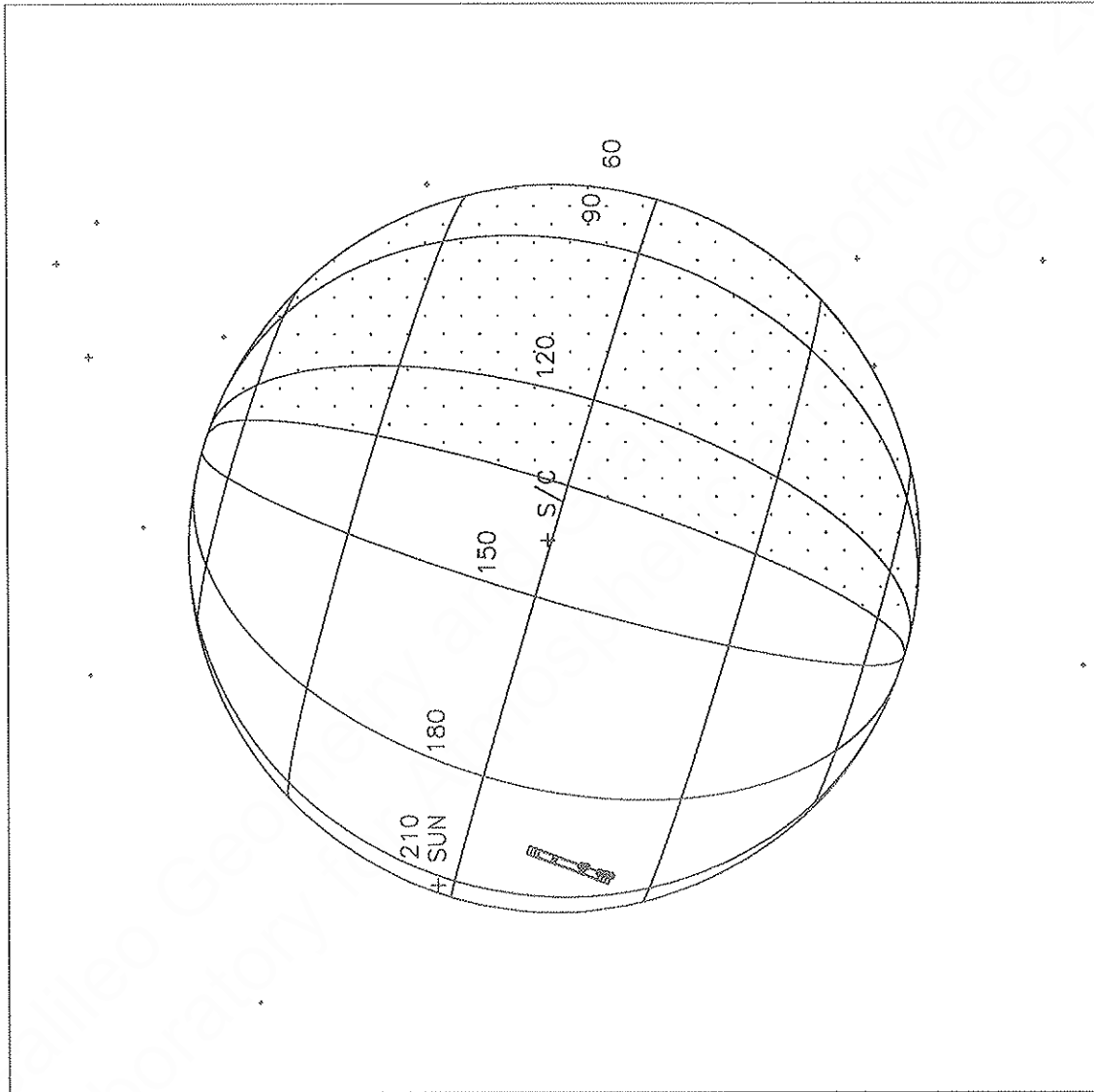
Target Body : EUROPA

Target Rø/Dec : 45.35/ 19.99 Deg

S/C to Body Center : 16428.49 Km (10.497438 Re)

Z-axis Pointing (Rø / Dec) : 140.40 / 17.20 Deg

Mon Dec 22 21:25:45 1997



Start UTC_TIME : 1997-350 // 12:47:36.977

No End Time :

Start SCLK : 1/04262767:00:0:0

Target Body : EUROPA

Target Cone/Clock : 88.97/275.16 Deg

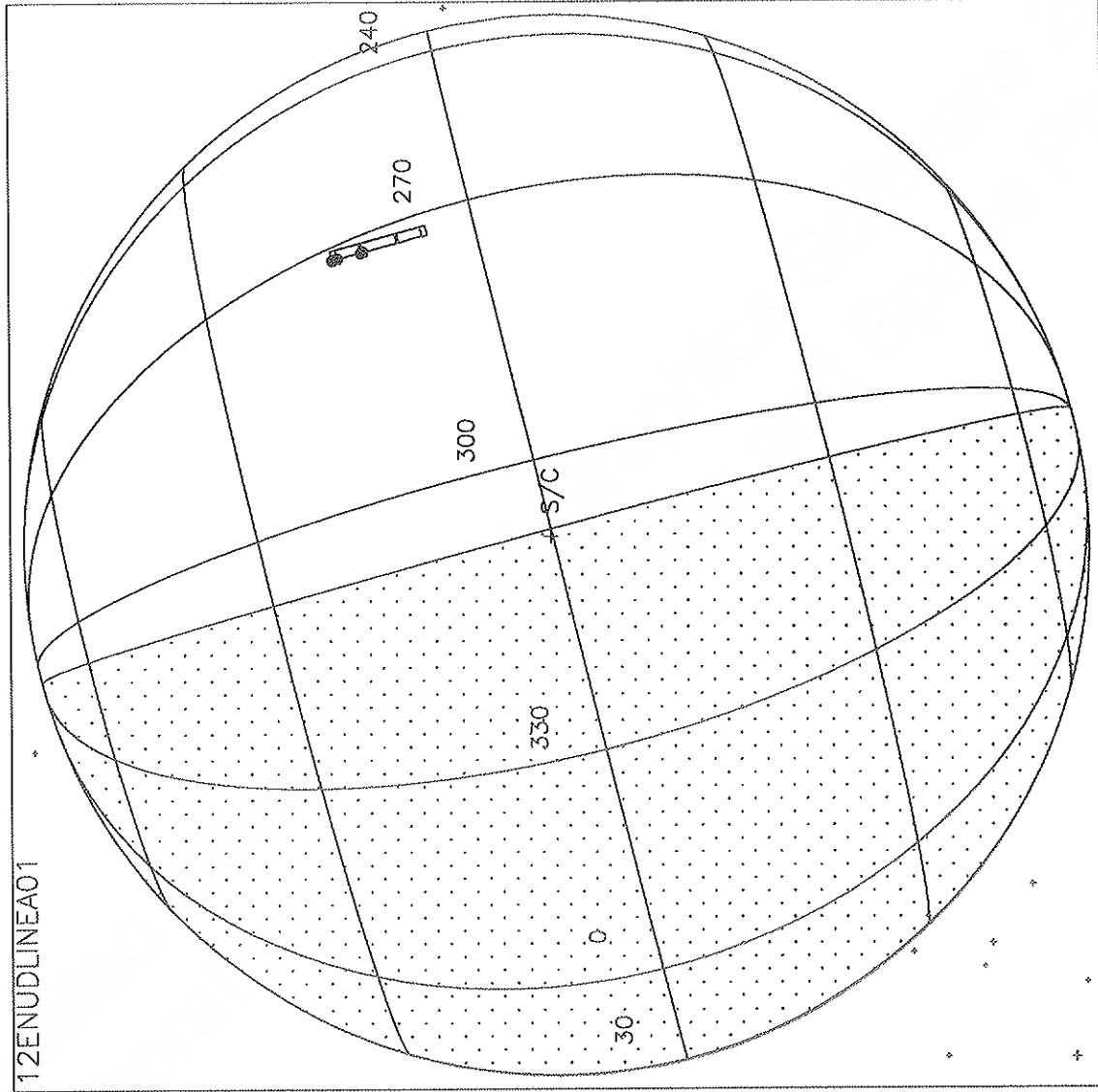
S/C to Body Center : 15782.92 Km (10.084936 Re)

Z-axis Pointing (Ra / Dec) : 140.40 / 17.20 Deg

Activity ID: Orbit 12	OAPEL EUDLINEA	SeqNo 01+
Title	UVS r/a Europa Surf. Comp. and Mincos Li	Instrument UVS
Requestor	UVS-SWG/W. SWEET X30523	Team UVS
		Working Group SWG
Time System CDS	Load ID 12A	Calendar Date 12/16/97
	Week 51	
Start	EEE-CDS 00000046:00:0	97-350/11:18:12.776
		EEE-000/00:46:30.666
End	EEE-CDS 00000038:00:0	97-350/11:26:18.109
		EEE-000/00:38:25.333
Duration	00000008:00:0	000/00:08:05.333
		000/00:08:05.333
Top Label	12EUDLINEA01+	
Bottom Label	NIMS ride-along	
Plot Key	UVS	Type SCI
CDS Bytes	38	Report Options BOTH
		Scan Platform Yes
CDS Source	OAP	Spin State DUAL
		DMS Yes
Observation Objective		
	12EUDLINEA01: Ride-along with the NIMS 12EUDLINEA01 observation to observe Europa in the 1600Å to 3200Å wavelength regions at phase angles not obtainable from the Earth. Data will supplement and complement the NIMS surface property measurements.	
	Rj = 9.25, sunlight	
	UVS configuration: full F/F scans.	
	MBTG = ((1008 bps) * (500 sec)) * 0.3 (compression) = 0.1512	
Design Detail		
CDS RIM COMMAND PARAMETERS		PSID
-----		-----
38 000 CMFES		(157CE)
001 1 34UVS,07,S,N,N,N,S,0,	ON,OFF,OFF,	ON,OFF,NOOVR,1,00,9C,00,00
008 8 34UVS,C1,F,N,N,N,S,0,	OFF,OFF,	ON,OFF,OFF,NOOVR,1,2C,05,00,00

Tue Nov 4 23:46:37 1997

12ENUDLINEA01

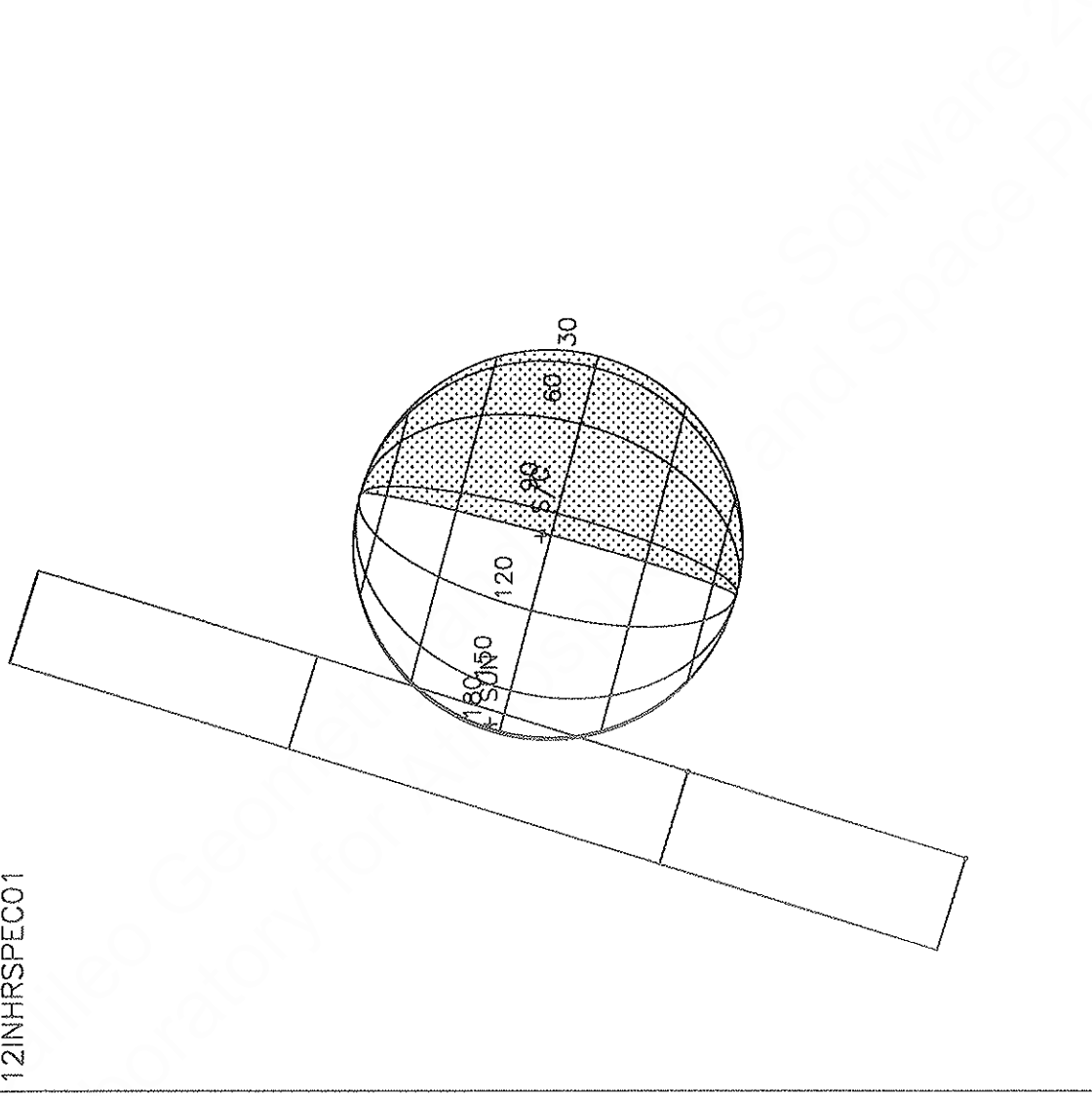


Start UTC_TIME : 1997-350 // 11:17:37.647
No End Time :
Start SCLK : 1/04262678:00:0:0
Target Body : EUROPA
Target Ra/Dec : 253.16 / -20.83 Deg
S/C to Body Center : 16607.13 Km (10.611584 Re)
Z-axis Pointing (Ra / Dec) : 140.40 / 17.20 Deg

Activity ID: Orbit 12	OAPEL IUHRSPEC	SeqNo 01+
Title	UVS r/a Io High Spectral Resolution	Instrument UVS
Requestor	UVS-SWG/W. SWEET X30523	Team UVS
		Working Group SWG
Time System CDS	Load ID 12A	Calendar Date 12/16/97
	Week 51	
Start	IEE-CDS 00000297:00:0	97-350/14:10:05.694
		IEE-000/05:00:18.000
End	IEE-CDS 00000280:00:0	97-350/14:27:17.028
		IEE-000/04:43:06.666
Duration	00000017:00:0	000/00:17:11.334
		000/00:17:11.334
Top Label	12IUHRSPEC01+	
Bottom Label	NIMS ride-along	
Plot Key	UVS	Type SCI
CDS Bytes	38	Report Options BOTH
		Scan Platform Yes
CDS Source	OAP	Spin State DUAL
		DMS Yes
Observation Objective		
<p>12IUHRSPEC01: Ride-along with the NIMS 12IUHRSPEC01 observation to observe Io in the 1600Å to 3200Å wavelength regions at phase angles not obtainable from the Earth. Data will supplement and complement the NIMS surface property measurements.</p> <p>Rj = 10.0, sunlight UVS configuration: full F/F scans.</p> <p>MBTG = ((1008 bps) * (367 sec)) * 0.3 (compression) = 0.111</p>		
Design Detail		
CDS RIM COM	PARAMETERS	PSID
-----	-----	-----
38 000	CM	(157CG)
001	UVS,07,S,N,N,N,S,0, ON,OFF,OFF, ON,OFF,NOOVR,1,00,9C,00,00	
017	UVS,C1,F,N,N,N,S,0,OFF,OFF, ON,OFF,OFF,NOOVR,1,2C,05,00,00	

Thu Nov 6 20:03:10 1997

12INHRSPEC01



Start UTC_TIME : 1997-350 // 14:14:34.307
No End Time :
Start SCLK : 1/04262853:00:0:0

Target Body : IO
Target Ra/Dec : 51.71 / 21.09 Deg
S/C to Body Center : 517079.1 Km (283.43196 Ri)
Z-axis Pointing (Ra / Dec) : 140.40 / 17.20 Deg

Week Date	Start Time	End Time	Duration	Activity	Team	Group	Actid	Plotkey	CDS
50	12/15/97	97-349/12:49:54.400	97-349/14:24:57.067	1:35:02.667	UVS Europa Atmosphere	SWG	12EUATMOS_01-	UVS	148
50	12/15/97	97-349/15:49:53.067	97-349/17:24:55.734	1:35:02.667	UVS Europa Atmosphere	SWG	12EUATMOS_02-	UVS	148
50	12/15/97	97-349/18:57:57.067	97-349/23:34:59.734	4:37:02.667	UVS Io Atmosphere Observation	SWG	12IUATMOS_01-	UVS	450
51	12/16/97	97-350/06:59:53.066	97-350/07:36:17.866	36:24.000	UVS r/a Europa Global	SWG	X12EUGLOBAL01+	UVS	38
51	12/16/97	97-350/12:28:29.732	97-350/12:43:39.732	15:10.000	UVS r/a Europa Surface	SWG	X12EUICEERG01+	UVS	38
51	12/16/97	97-350/12:43:39.732	97-350/12:59:50.399	16:10.667	UVS r/a Europa Surf. Comp. and	SWG	12EUUDLINEA01+	UVS	38
51	12/16/97	97-350/14:10:37.000	97-350/14:27:48.334	17:11.334	UVS r/a Io High Spectral	SWG	12IUHRSPEC01+	UVS	38

*** TOTAL CDS BYTES *** 898

4 Missions on
~~97-350~~ 97-350 Ave to AACs
 anomaly

350/00:07:40-350/01:34:20 JNJUPRTS02
 350/05:54:20-350/07:21:00 JNJUPRST03, ENGLOBAL01
 350/07:21:00-350/08:47:40 ENGLOBAL01
 350/11:41:00-350/13:07:40 ENCPWYLL01, ESCHAOS_01, ESMOTTLE01,
 ESWEDGE_01, ESWEDGE_02, ESWEDGE_03,
 ESILOMOD01, ENICEBRG01, EPHOTSPT02



ENGLOBAL01

(91.413, 91.001)

en clk

(225.785, -19.199)

Ra Dec

ENICEBERG

~~84.317~~, 276.878

(84.317, en/clk

(50.385, 19.615)

Ra Dec

From: IN%"KTOBISKA@gllsvc.jpl.nasa.gov" 18-DEC-1997 17:34:39.40
To: IN%"jajello@jpluvs.jpl.nasa.gov", IN%"simmons@pisces.colorado.edu", IN%"
CC:
Subj: Anomaly update

Return-path: <KTOBISKA@glvax0.jpl.nasa.gov>
Received: from glvax0.jpl.nasa.gov by pisces.colorado.edu (PMDF V4.2-13 #26137)
id <01.IRBSVXACWG0192HA@pisces.colorado.edu>; Thu, 18 Dec 1997 17:34:12 GMT
Date: Thu, 18 Dec 1997 09:34:56 -0800
From: KTOBISKA@gllsvc.jpl.nasa.gov
Subject: Anomaly update
To: jajello@jpluvs.jpl.nasa.gov, simmons@pisces.colorado.edu,
rutzg@pisces.colorado.edu, gebben@pisces.colorado.edu,
zipke@pisces.colorado.edu, pryor@pisces.colorado.edu,
stewart@pisces.colorado.edu
Message-id: <971218093456.20201f3f@gllsvc.jpl.nasa.gov>
Content-transfer-encoding: 7BIT
X-Vmsmail-To: @JPLUVS

From: SMTP%"jerickso@mail1.jpl.nasa.gov" 18-DEC-1997 08:29:11.94
To: KTOBISKA
CC:
Subj: AACS Anomaly Status Report (and EPD Status)

Message-Id: <v03102800b0bef9fd4234@[137.78.212.12]>
Mime-Version: 1.0
Content-Type: text/plain; charset="us-ascii"
Date: Thu, 18 Dec 1997 08:31:15 -0800
To: gem_project@donatello.jpl.nasa.gov
From: Jim Erickson <jerickso@mail1.jpl.nasa.gov>
Subject: AACS Anomaly Status Report (and EPD Status)

Status of the E-12 AACS Anomaly as of Thursday 12/18 8:00 PST.

- 1). As of 08:19 (12:19 am local), we are now receiving playback packets from the s/c. We have successfully swapped all AACS redundant elements back to their prime (nominal) configuration.
- 2). The AACS analysts believe that the background radiation during the perijove passage caused a star dropout problem. How exactly this cascaded into the observed problem is yet to be determined. Further analysis is pending.
- 3). Key time events are as follows:
349/23:27 SEQID problems begin.
350/00:21 Scan Platform safed to 153 cone (SBA swapped).
350/01:14 Deuce electronics swapped.
350/03:14 Additional SEQID problems.
350/11:27 End of SEQID problems. Likely end of anomaly.
- 4). Further information will be disseminated when available.

Status of the E-12 EPD Anomaly as of Thursday 12/18 8:00 PST.

- a). EPD has been turned off and its replacement heater turned on.
- b). Problem symptoms are that the instrument stopped sending science packets to the ground, and the LEMMS and CMS telescope temperatures began

to drop. These temperatures were consistent with the instrument being in standby mode with the telescopes not powered.

c). However, subsequent MRO's have shown that the instrument is not in standby. In order to ensure the safety of the instrument, the instrument team at APL requested the instrument be turned off. Commanding to turn the instrument off and its replacement heater on occurred late on 12/17.

d). Further analysis is continuing.

-Jim E-

Galileo Geometry and Graphics Software 2001
Laboratory for Atmospheric and Space Physics