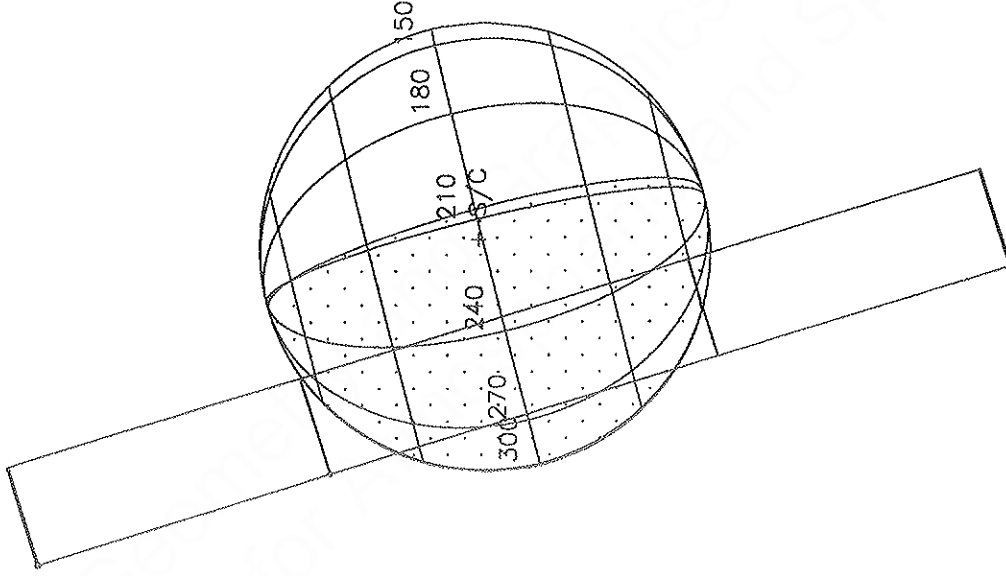


Activity ID:	Orbit 14	OAPEL EUATMOS_	SeqNo	01-
Title	UVS Europa Atmosphere Observation		Instrument	UVS
Requestor	UVS-SWG/W. SWEET X30523	Team	UVS	Working Group SWG
Time System	CDS	Load ID	14A	Calendar Date 03/28/98 Week 13
Start	JEE-CDS 00001101:00:0		98-087/13:26:06.400	JEE-000/18:33:14.000
End	JEE-CDS 00000947:00:0		98-087/16:01:49.067	JEE-000/15:57:31.333
Duration	00000154:00:0		000/02:35:42.667	000/02:35:42.667
Top Label	14EUATMOS_01-			
Bottom Label	real-time			
Plot Key	UVS	Type	SCI	
CDS Bytes	450	Report Options	BOTH	Scan Platform Yes
CDS Source	OAP	Spin State	DUAL	DMS No
Observation Objective				
<p>14EUATMOS_01: Europa atmosphere observation. We will look for Europa atmospheric emissions (oxygen, hydrogen and sulfur, as well as other possibilities). We will also monitor the tenuous atmosphere for possible outgassing episodes. Observe Europa's atmosphere for ~4 1/2 hours. Darkside, 210' longitude. UVS configuration 1215-1302 A 16 step G/G mini-scan.</p> <p>First 1+ hours, target Europa's surface with TMC. Second 1/2 hour, +1 Europa radii for 30 rims Third 1/2 hour, +2 Europa radii for 30 rims</p> <p>waiver G-14: cone 70 constraint waiver G-15: Rj = 14.3 - 13</p> <p>MBTG = 17712 bits/flush * 4 flushes = 0.071</p>				
Design Detail				
CDS RIM	COMMAND	PARAMETERS	PSID	
---	---	---	---	
0	000	COMMENT UVS RIM 0	(384CA)	
28	003+UVFLUSH	DISCRD,UVS	(349CA)	
66	003	CMDRS	(157CA)	
	004	1 34UVS,D1,F,N,N,N,S,0,OFF,OFF, ON, ON,OFF,NOOVR,1,5A,45,00,39		
	154	151 34UVS,C1,F,N,N,N,S,0,OFF,OFF, ON,OFF,OFF,NOOVR,1,2C,05,00,00		
54	004	TARGET RA/Dec=233.80/-20.91; TMC body	(165CA) (2 TMC segments)	
28	047+UVFLUSH	PACKET,UVS	(349CB)	
28	096+UVFLUSH	PACKET,UVS	(349CC)	
54	098	TARGET RA/Dec=231.44/-20.37; TMC +1 off	(165CB)	
28	130+UVFLUSH	PACKET,UVS	(349CD)	
54	132	TARGET RA/Dec=230.91/-20.25; TMC +2 off	(165CC)	
28	153+UVFLUSH	PACKET,UVS	(349CE)	

Tue Feb 17 00:07:49 1998

Observation

14EUATMOS_01



Start UTC_TIME : 1998-087 // 13:30:03.714

No End Time :

Start SCLK : 1/0408075:00:0:0

Target Body : EUROPA

Target Ra/Dec : 233.67 / -20.89 Deg

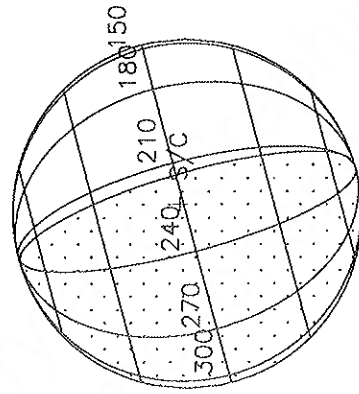
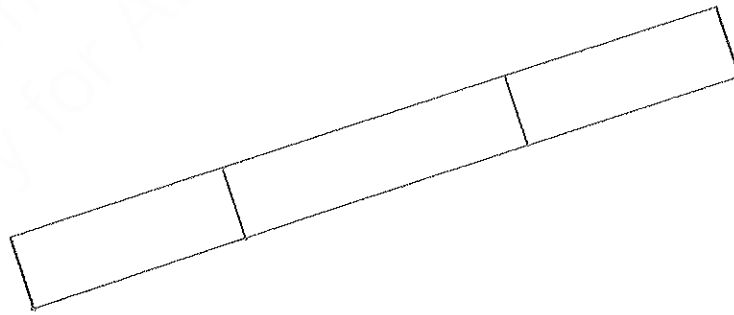
S/C to Body Center : 404633.8 Km (258.55196 Re)

Z-axis Pointing (Ra / Dec) : 163.94 / 7.86 Deg

Fri Feb 27 20:12:40 1998

14EUATMOS_01

Obs
2



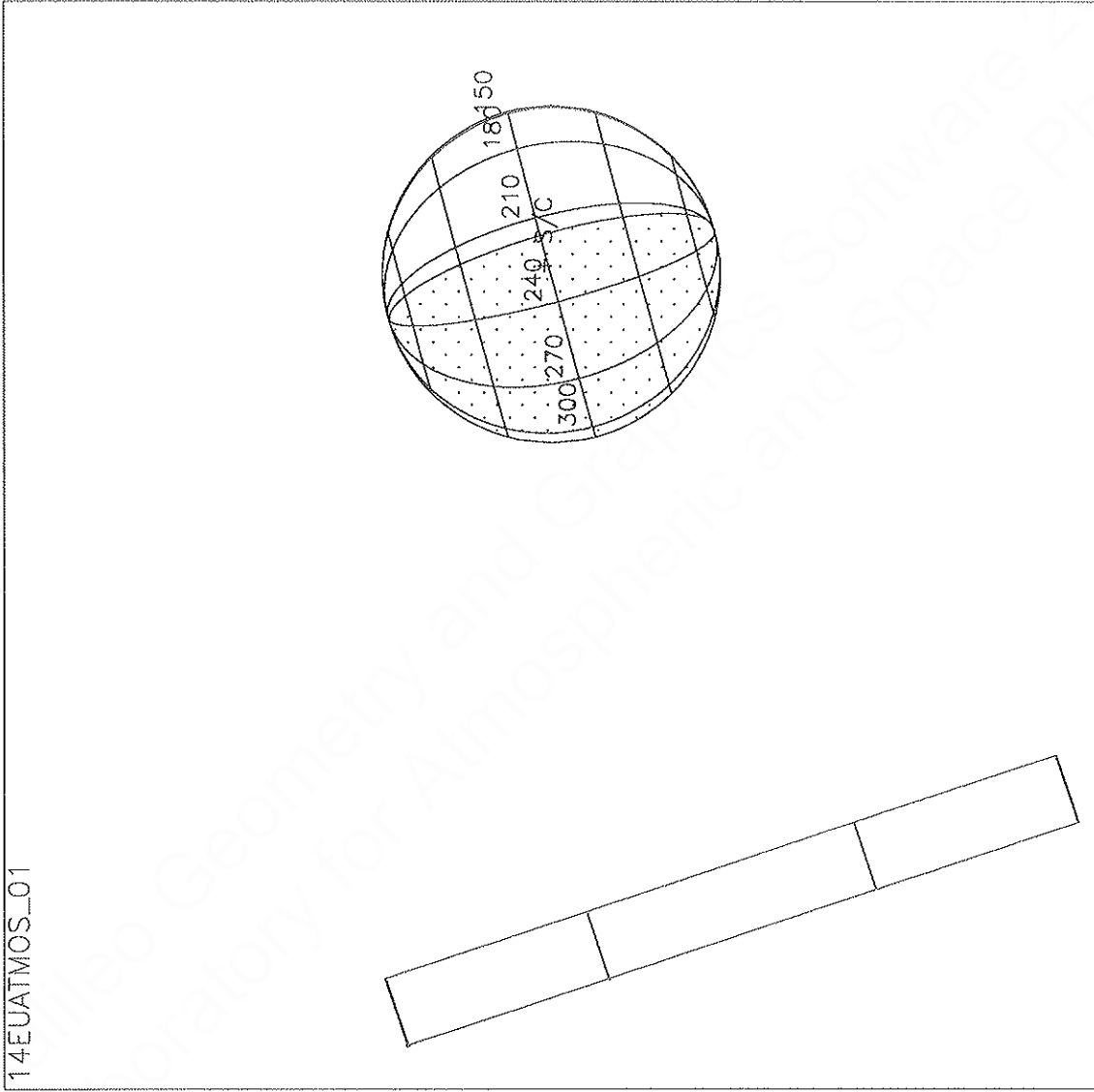
Start UTC_TIME : 1998-067 // 15:04:05.710
 No End Time :
 Start SCLK : 1/04408168:00:0:0

Target Body : EUROPA
 Target Ro/Dec : 230.89 / -20.23 Deg
 S/C to Body Center : 382258.5 Km (244.25464 Re)
 Z-axis Pointing (Ra / Dec) : 163.94 / 7.86 Deg

Fri Feb 27 20:14:47 1998

Obs
3

14EUATMOS_01



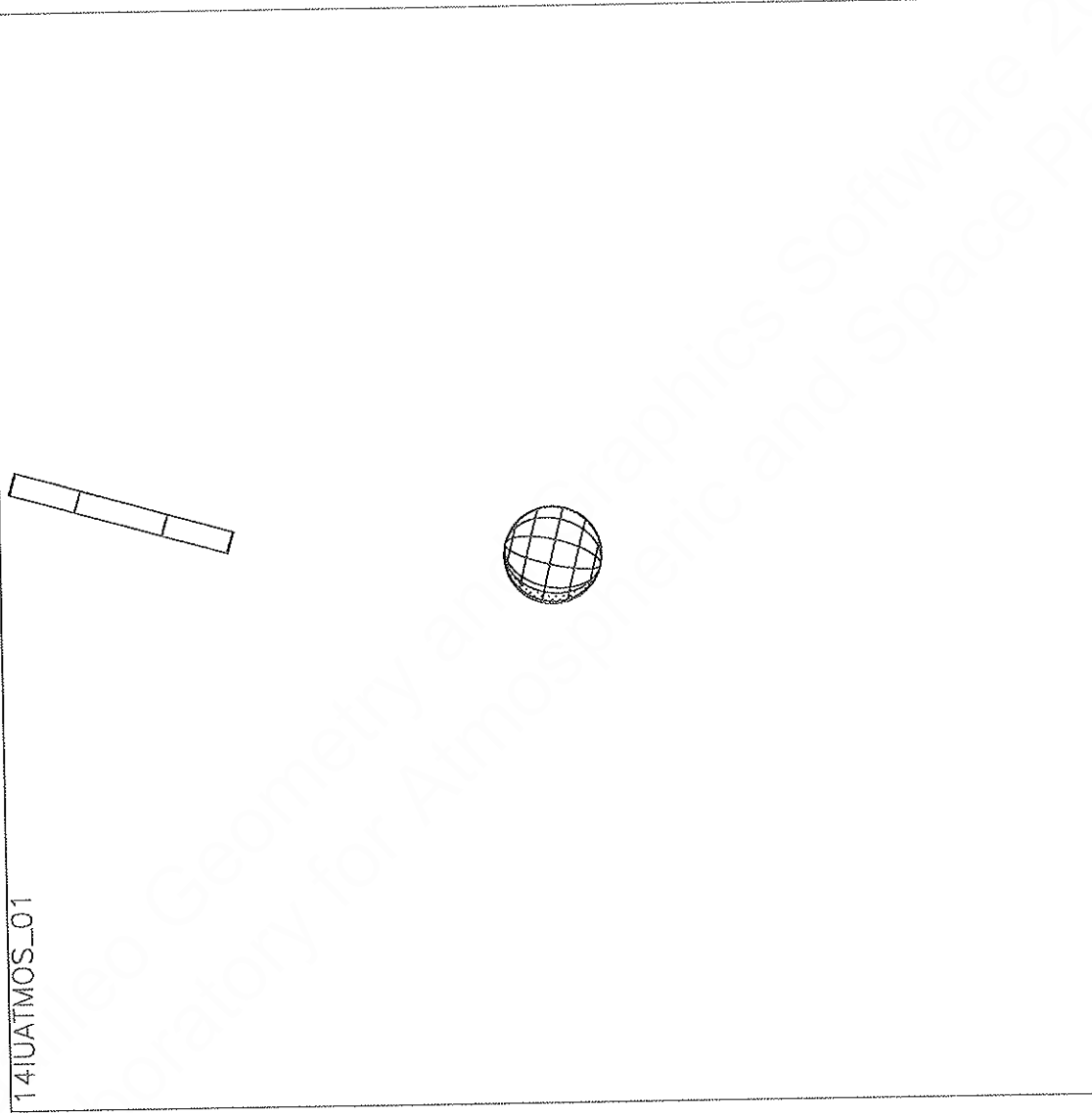
Start UTC_TIME : 1998-087 // 15:38:28.376
No End Time :
Start SCLK : 1/04408202:00:0:0

Target Body : EUROPA
Target Ra/Dec : 229.96 / -20.00 Deg
S/C to Body Center : 374934.5 Km (239.57479 Re)
Z-axis Pointing (Ra / Dec) : 163.94 / 7.86 Deg

Activity ID: Orbit 14	OAPEL IUATMOS_	SeqNo 01-
Title	UVS Io Atmosphere Observation	Instrument UVS
Requestor	UVS-SWG/W. SWEET X30523	Team UVS Working Group SWG
Time System CDS	Load ID 14A	Calendar Date 03/28/98 Week 13
Start	JEE-CDS 00000733:00:0	98-087/19:38:11.734 JEE-000/12:21:08.666
End	JEE-CDS 00000459:00:0	98-088/00:15:14.400 JEE-000/07:44:06.000
Duration	00000274:00:0	000/04:37:02.666 000/04:37:02.666
Top Label	14IUATMOS_01-	
Bottom Label	real-time	
Plot Key	UVS	Type SCI
CDS Bytes	518	Report Options BOTH Scan Platform Yes
CDS Source	OAP	Spin State DUAL DMS No
Observation Objective		
<p>14IUATMOS_01: Io surface/atmosphere observation. We investigate Io atmospheric emissions (hydrogen and oxygen). We will also monitor the tenuous atmosphere for variations due to volcanic activity and SO2 frost sublimation. Darkside, 130' longitude.</p> <p>First 1 1/2 hours, off north pole 2 radii with TMC 1215-1302 Å 16 step G/G mini-scans Second 1 1/2 hours, target Io darkside body with TMC 1356-1391 Å 1-step, 2-position G/G mini-scan (PWS quiet) Third 1/2 hour, +1 radii off body with TMC 1215-1302 Å 16 step G/G mini-scans Fourth 1/2 hour, -1 radii off body with TMC 1215-1302 Å 16 step G/G mini-scans Fifth 1/2 hour, -10 radii off body with TMC 1215-1302 Å 16 step G/G mini-scans</p> <p>waiver G-15: Rj = 11.7</p>		
Design Detail		
CDS RIM COMMAND PARAMETERS	PSID	
0 000 COMMENT UVS RIM 0	(384CB)	
28 003+UVFLUSH DISCRD,UVS	(349CG)	
80 003 CMDRS	(157CB)	
004 1 34UVS,D1,F,N,N,N,S,0,OFF,OFF, ON, ON,OFF,NOOVR,1,5A,45,00,39		
094 91 34UVS,C1,F,N,N,N,S,0,OFF,OFF, ON, ON,OFF,NOOVR,1,BE,05,00,17		
184 181 34UVS,D1,F,N,N,N,S,0,OFF,OFF, ON, ON,OFF,NOOVR,1,5A,45,00,39		
274 271 34UVS,C1,F,N,N,N,S,0,OFF,OFF, ON,OFF,OFF,NOOVR,1,2C,05,00,00		
54 004 TARGET RA/Dec=300.05/-19.02;TMC offbody(165CE)		
28 092+UVFLUSH PACKET,UVS	(349CH)	
54 094 TARGET RA/Dec=302.22/-20.36;TMC onbody(165CF)		
28 182+UVFLUSH PACKET,UVS	(349CI)	
54 184 TARGET RA/Dec=302.42/-20.16;TMC+1 radii(165CG)		
28 212+UVFLUSH PACKET,UVS	(349CJ)	
54 214 TARGET RA/Dec=303.97/-19.83;TMC-1 radii(165CH)		
28 242+UVFLUSH PACKET,UVS	(349CK)	
54 244 TARGET RA/Dec=309.21/-18.72;TMC-10radii(165CI)		
28 273+UVFLUSH PACKET,UVS	(349CL)	

Mon Mar 9 23:19:08 1998

14IUATMOS_01



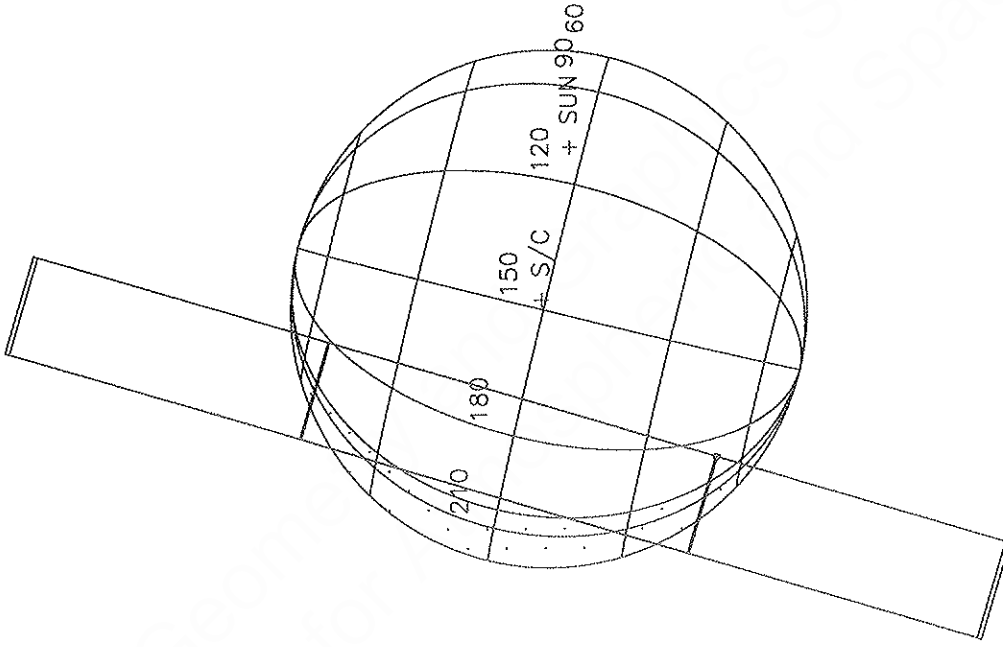
Obs
1

Start UTC_TIME : 1998-087 // 19:42:09.034
No End Time :
Start SCLK : 1/04408443:00:0:0

Target Body : IO
Target Ra/Dec : 300.27 / -20.93 Deg
S/C to Body Center : 478452.0 Km (262.25887 Ri)
Z-axis Pointing (Ra / Dec) : 163.94 / 7.86 Deg

Mon Mar 9 23:20:36 1998

14IUATMOS_01



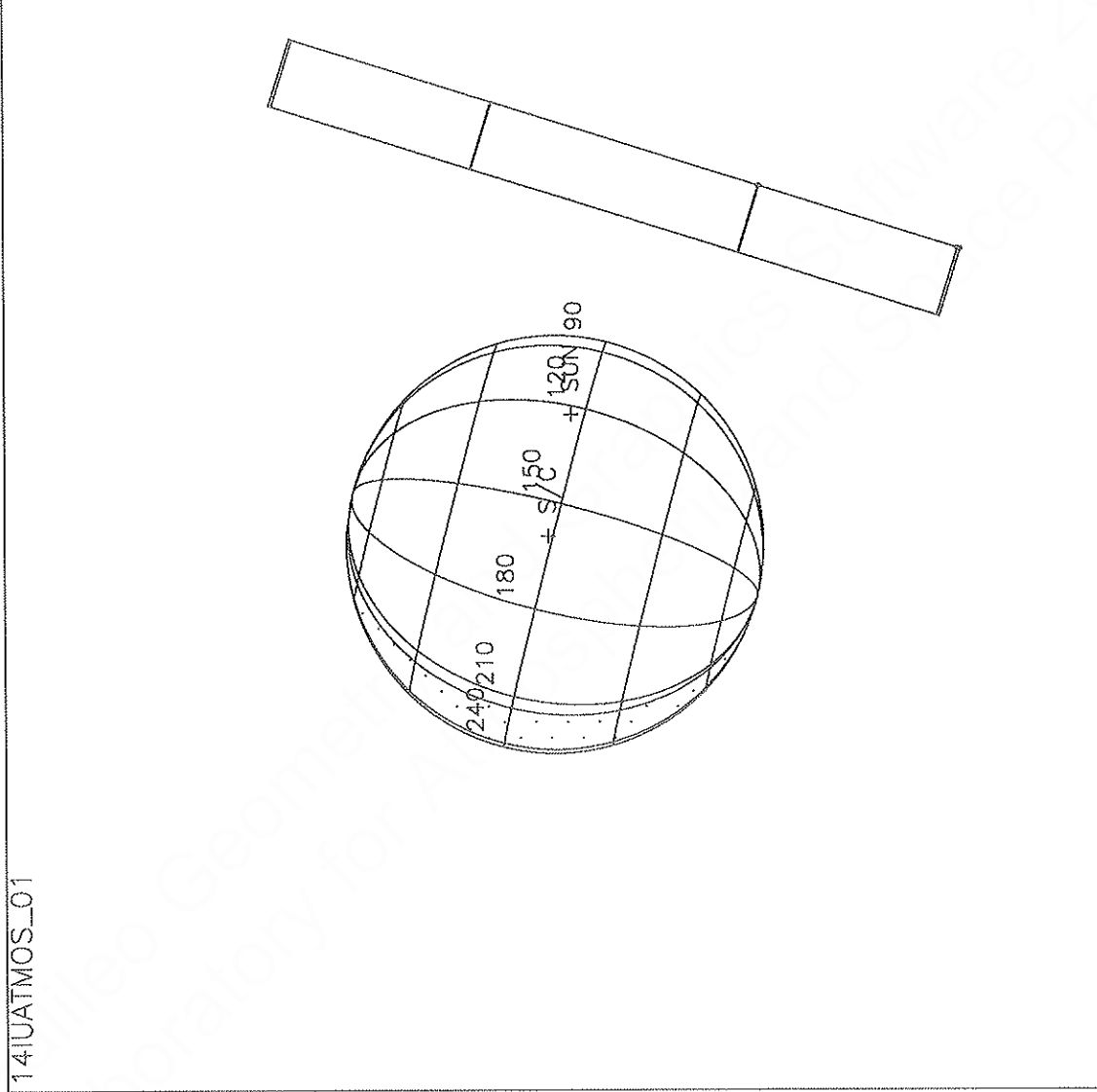
Obs
2

Start UTC_TIME : 1998-087 // 21:12:08.364
No End Time :
Start SCLK : 1/04408532:00:0:0
Target Body : IO
Target Ra/Dec : 302.08/-20.40 Deg
S/C to Body Center : 408357.2 Km (223.83707 Ri)
Z-axis Pointing (Ra / Dec) : 163.94 / 7.86 Deg

Mon Mar 9 23:21:56 1998

Obs
3

14IUATMOS_01

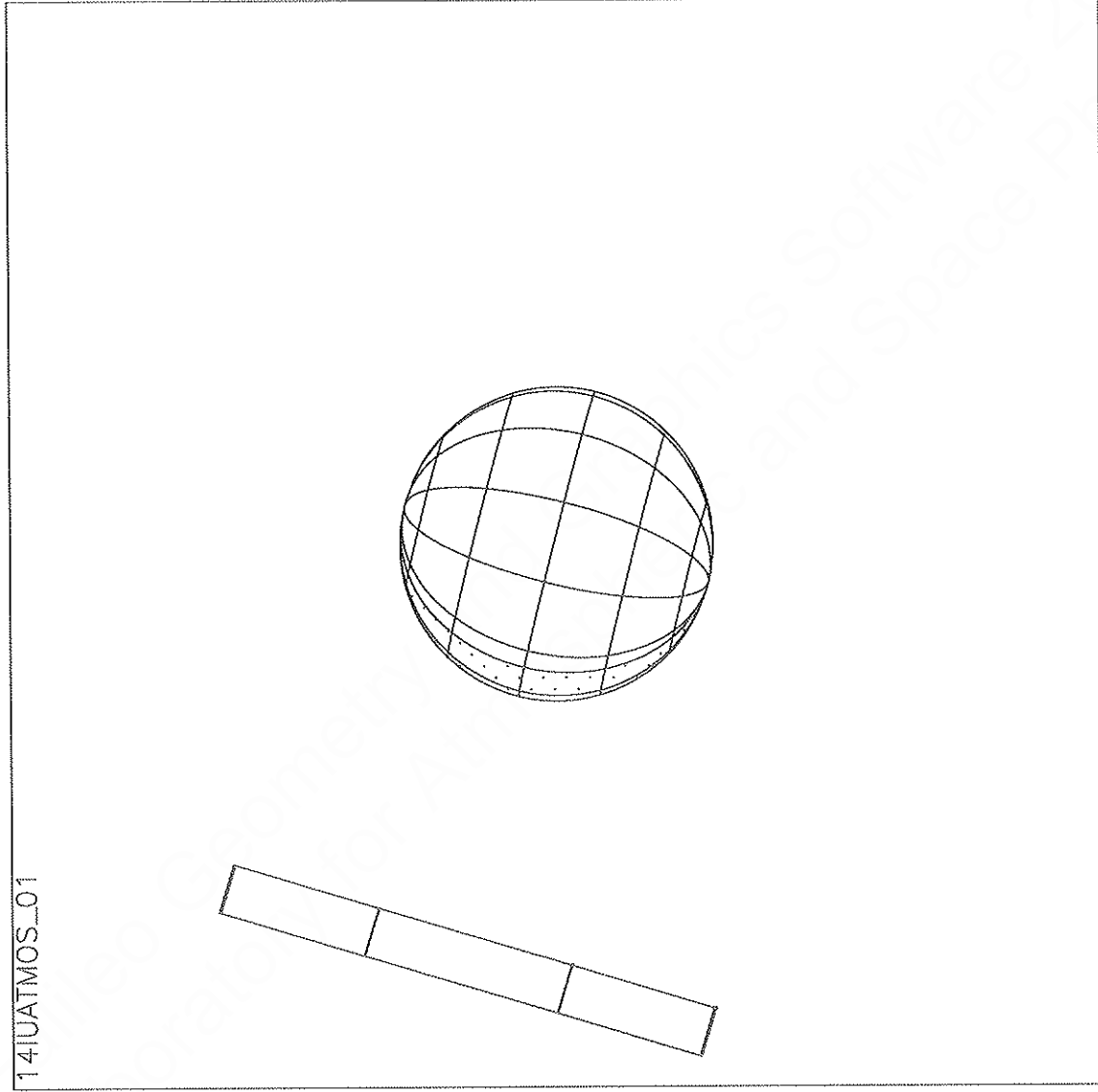


Start UTC_TIME : 1998-087 // 22:43:08.361
No End Time :
Start SCLK : 1/04408622:00:0:0
Target Body : IO
Target Ra/Dec : 302.98 / -20.07 Deg
S/C to Body Center : 350054.0 Km (191.87876 Ri)
Z-axis Pointing (Ra / Dec) : 163.94 / 7.86 Deg

Mon Mar 9 23:23:10 1998

Obs
4

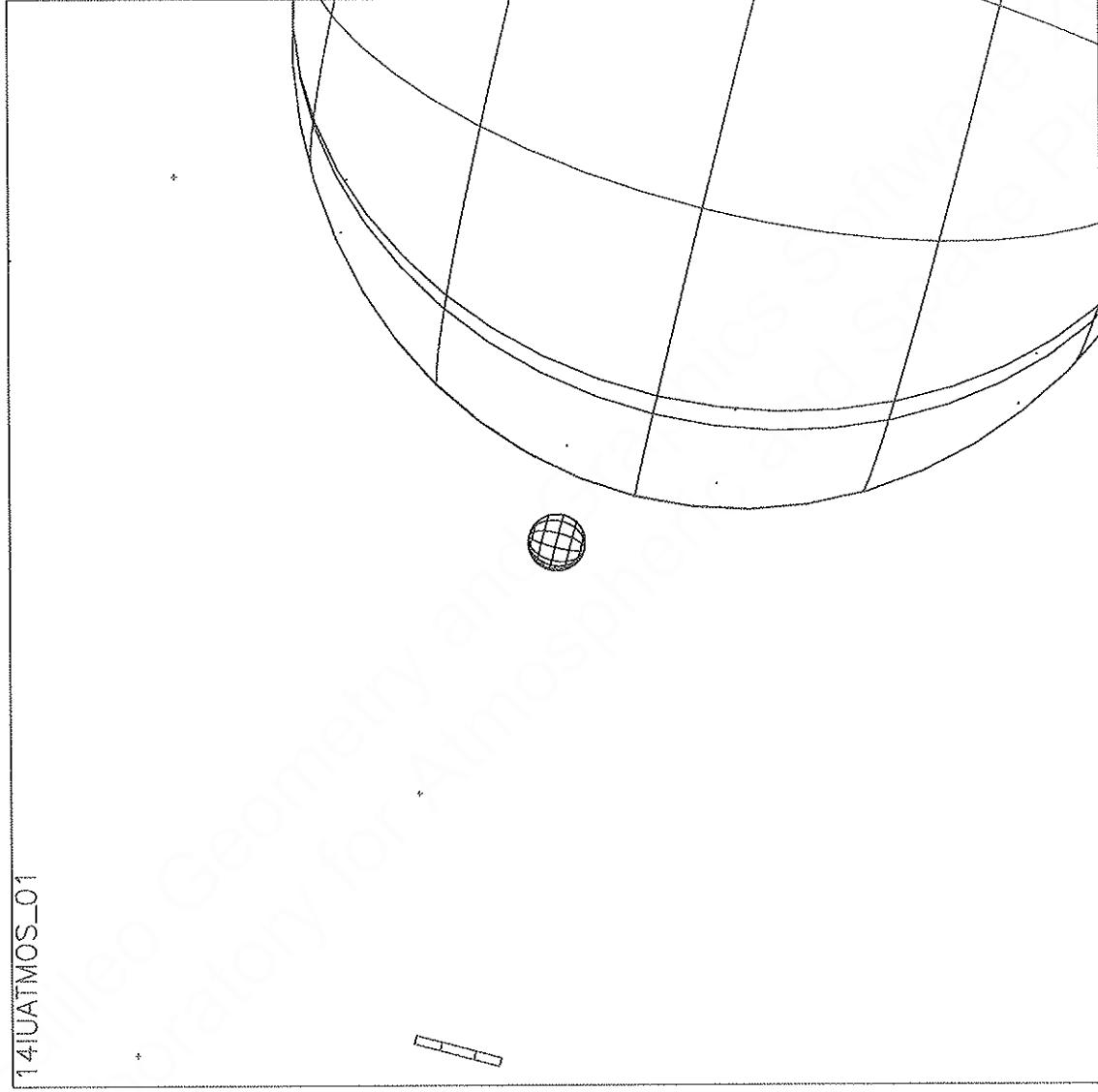
14IUATMOS_01



Start UTC_TIME : 1998-087 // 23:13:28.360
No End Time :
Start SCLK : 1/04408652:00:0:0
Target Body : IO
Target Ra/Dec : 303.08/-20.01 Deg
S/C to Body Center : 333616.1 Km (182.86848 Ri)
Z-axis Pointing (Ra / Dec) : 163.94 / 7.86 Deg

Mon Mar 9 23:24:26 1998

14IUATMOS_01



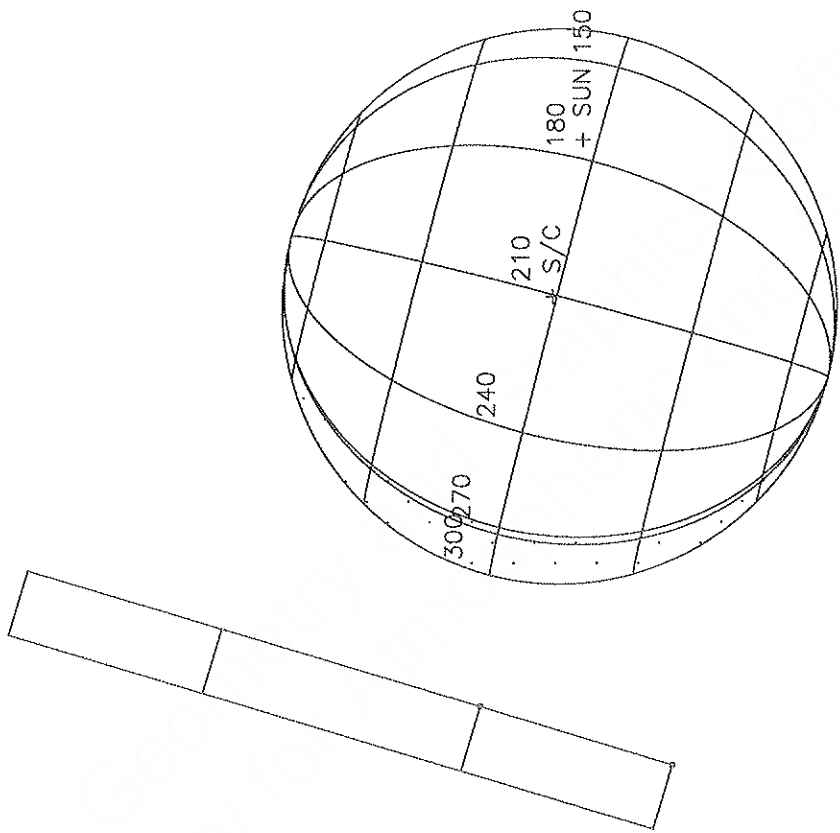
Obs
5

Start UTC_TIME : 1998-087 // 23:43:48.358
No End Time :
Start SCLK : 1/04408682:00:0:0
Target Body : IO
Target Ro/Dec : 303.10/-19.98 Deg
S/C to Body Center : 318721.3 Km (174.70404 Ri)
Z-axis Pointing (Ra / Dec) : 163.94 / 7.86 Deg

Activity ID: Orbit 14	OAPEL IUHRSPEC	SeqNo 01+
Title	UVS r/a Io Hi Res Spectrum	Instrument UVS
Requestor	UVS-SWG/W. SWEET X30523	Team UVS Working Group SWG
Time System CDS	Load ID 14A	Calendar Date 03/29/98 Week 13
Start	IEE+CDS 00000000:00:0	98-088/04:48:14.400 IEE+000/00:00:00.000
End	IEE+CDS 00000023:00:0	98-088/05:11:29.733 IEE+000/00:23:15.333
Duration	00000023:00:0	000/00:23:15.333 000/00:23:15.333
Top Label	14IUHRSPEC01+	
Bottom Label	NIMS ride-along	
Plot Key	UVS	Type SCI
CDS Bytes	38	Report Options BOTH Scan Platform Yes
CDS Source	OAP	Spin State DUAL DMS Yes
Observation Objective		
	14IUHRSPEC01: Ride-along with the NIMS 14IUHRSPEC01 observation to observe Io at high spectral resolution in the 1600Å to 3200Å wavelength regions at phase angles not obtainable from the Earth. Data will supplement and complement the NIMS surface property measurements. UVS configuration: full F/F scans.	
	waiver G-15: Rj = 9.0	
	MBTG = 0.392 MBTG with 3:1 Rice compression 18.835 RIMS, PBK 5 RIMS	
Design Detail		
CDS RIM	COMMAND PARAMETERS	PSID
0	000 COMMENT UVS RIM 0	(384CC)
38	003 CMDRS	(157CC)
	004 1 34UVS,07,S,N,N,N,S,0, ON,OFF,OFF, ON,OFF,NOOVR,1,00,9C,00,00	
	023 20 34UVS,C1,F,N,N,N,S,0,OFF,OFF, ON,OFF,OFF,NOOVR,1,2C,05,00,00	
0	TARGET RA/Dec=304.91/-19.55	(165DB)

Mon Mar 2 23:24:54 1998

14INHRSPEC01

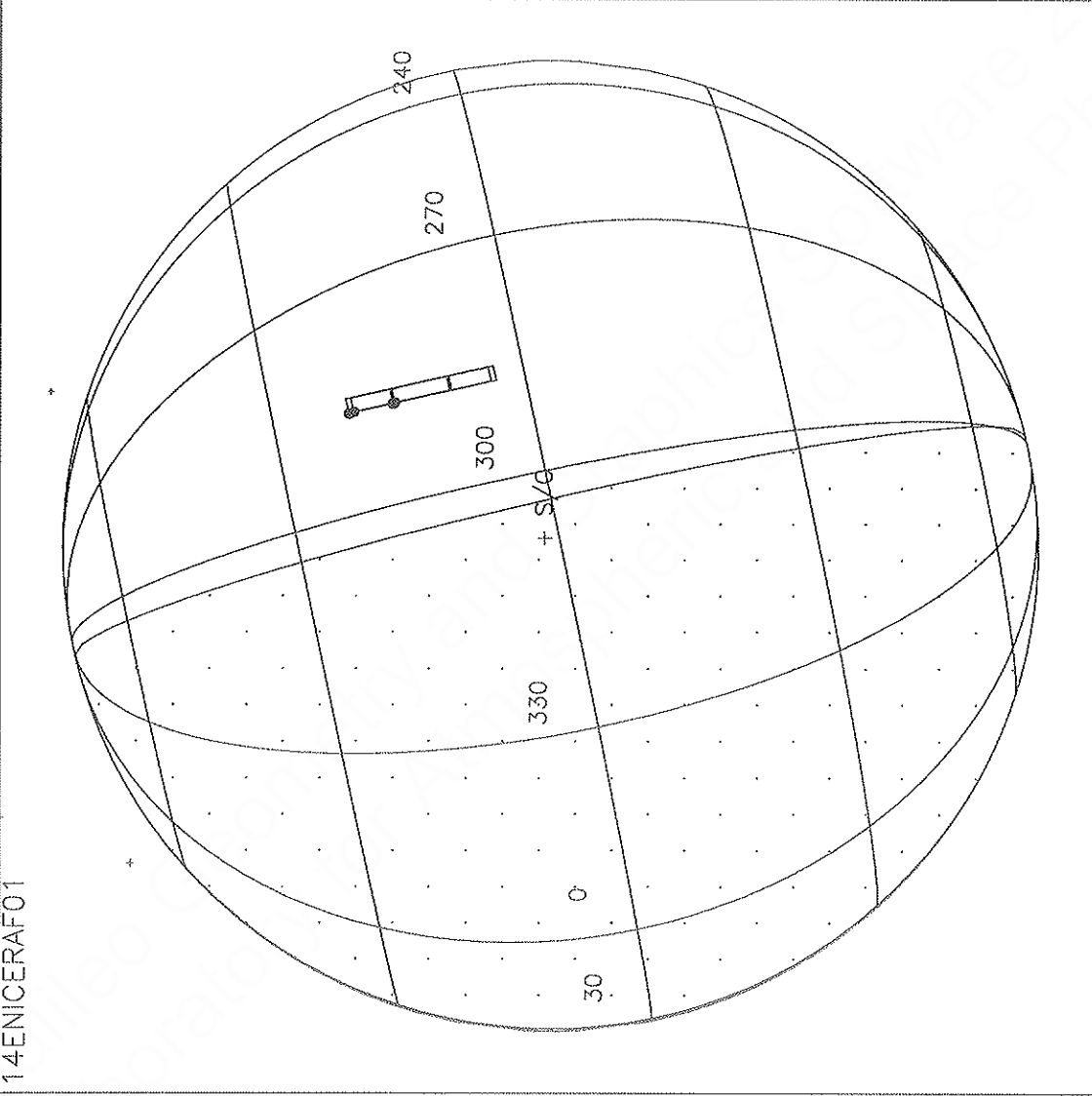


Start UTC_TIME : 1998-088 // 04:52:11.681
No End Time :
Start SCLK : 1/04#08987:00:0:0
Target Body : IO
Target Ra/Dec : 304.29/-19.88 Deg
S/C to Body Center : 251845.5 Km (138.04671 RI)
Z-axis Pointing (Ra / Dec) : 163.94 / 7.86 Deg

Activity ID: Orbit 14		OAPEL EUCERAF		SeqNo 01+	
Title		UVS r/a Europa Ice Rift		Instrument UVS	
Requestor		UVS-SWG/W. SWBET X30523		Team UVS	
				Working Group SWG	
Time System CDS		Load ID 14A		Calendar Date 03/29/98	
				Week 13	
Start		EEE-CDS 00000073:00:0		98-088/12:07:03.734	
				EEE-000/01:13:48.666	
End		EEE-CDS 00000038:00:0		98-088/12:42:27.067	
				EEE-000/00:38:25.333	
Duration		00000035:00:0		000/00:35:23.333	
				000/00:35:23.333	
Top Label		14EUCERAF01+			
Bottom Label		NIMS ride-along			
Plot Key		UVS		Type SCI	
CDS Bytes		38		Report Options BOTH	
				Scan Platform Yes	
CDS Source		OAP		Spin State DUAL	
				DMS Yes	
Observation Objective					
<div style="border: 1px solid black; padding: 5px;"> <p>14EUCERAF01: Ride-along with the NIMS 14EUCERAF01 observation to observe Europa ice rafts in the 1600Å to 3200Å wavelength regions at phase angles not obtainable from the Earth. Data will supplement and complement the NIMS surface property measurements. UVS configuration: full F/F scans.</p> <p>waiver G-14: cone 78 waiver G-15: Rj = 9.2</p> <p>MBTG = 0.637 MBTG with 3:1 Rice compression 30.659 RIMS, PBK 26 RIMS</p> </div>					
Design Detail					
CDS RIM COMMAND PARAMETERS				PSID	
-----				-----	
0	000	COMMENT	UVS RIM 0	(384CD)	
38	003	CMDRS		(157CD)	
	004	1	34UVS,07,S,N,N,N,S,0, ON,OFF,OFF, ON,OFF,NOOVR,1,00,9C,00,00		
	035	32	34UVS,C1,F,N,N,N,S,0,OFF,OFF, ON,OFF,OFF,NOOVR,1,2C,05,00,00		
0		TARGET	RA/Dec=237.57/-22.47	(165DC)	

Mon Mar 2 23:29:12 1998

14ENICERAF01



Start UTC_TIME : 1998-088 // 12:11:00.998

No End Time :

Start SCLK : 1/04409421:00:0:0

Target Body : EUROPA

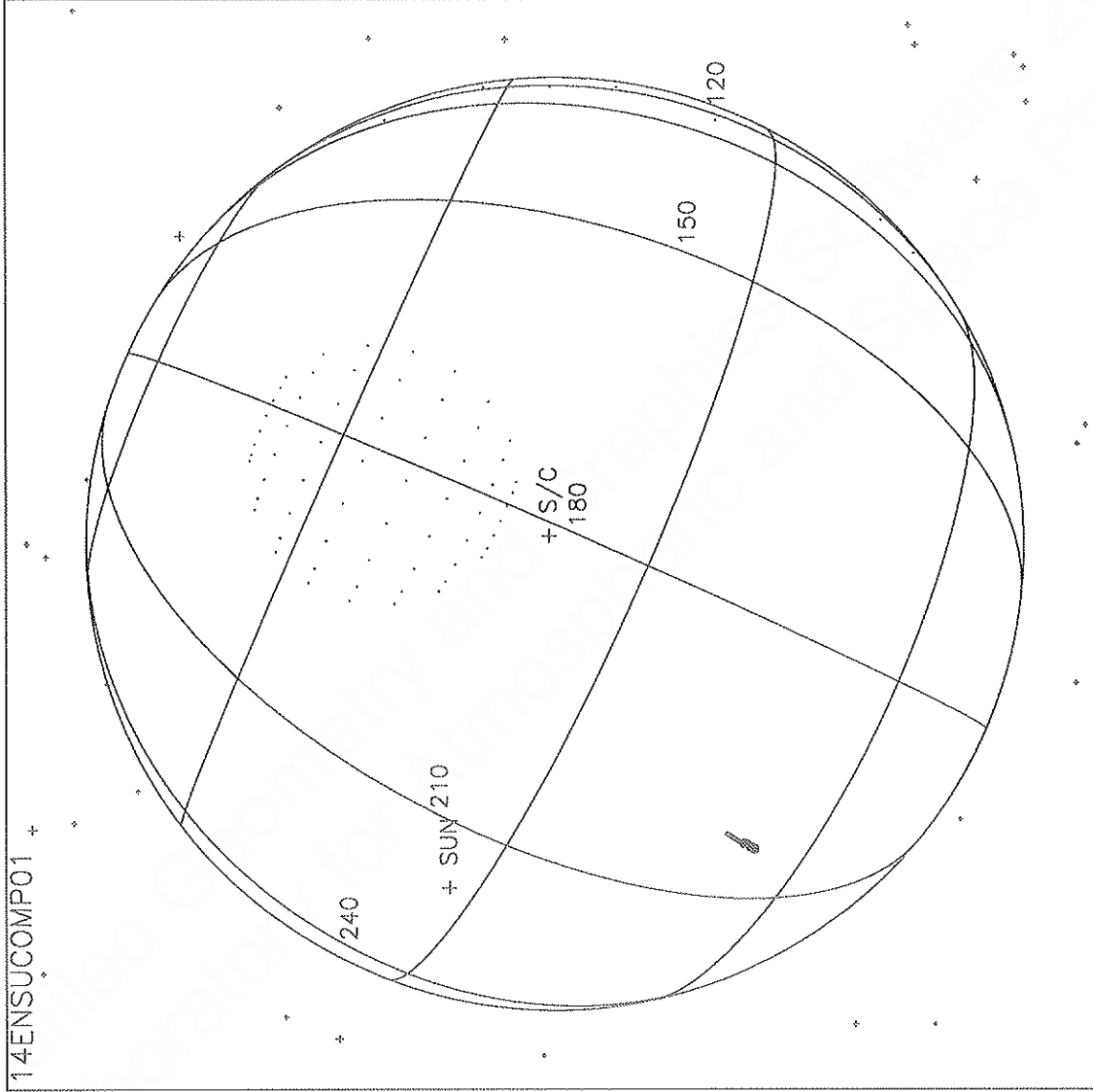
Target Ra/Dec : 238.71 / -23.34 Deg

S/C to Body Center : 27697.37 Km (17.698000 Re)

Z-axis Pointing (Ra / Dec) : 163.94 / 7.86 Deg

Activity ID: Orbit 14		OAPEL EUSUCOMP		SeqNo 01+	
Title		UVS r/a Europa Surface Composition		Instrument UVS	
Requestor		UVS-SWG/W. SWEET X30523		Team UVS	
				Working Group SWG	
Time System CDS		Load ID 14A		Calendar Date 03/29/98	
				Week 13	
Start		EEE+CDS 00000010:00:0		98-088/13:30:59.066	
				EEE+000/00:10:06.666	
End		EEE+CDS 00000030:00:0		98-088/13:51:12.400	
				EEE+000/00:30:20.000	
Duration		00000020:00:0		000/00:20:13.334	
				000/00:20:13.334	
Top Label		14EUSUCOMP01+			
Bottom Label		NIMS ride-along			
Plot Key		UVS		Type SCI	
CDS Bytes		38		Report Options BOTH	
				Scan Platform Yes	
CDS Source		OAP		Spin State DUAL	
				DMS Yes	
Observation Objective					
<div style="border: 1px solid black; width: 150px; height: 100px; display: inline-block; vertical-align: top; margin-right: 10px;"></div> <p>14EUSUCOMP01: Ride-along with the NIMS 14EUSUCOMP01 observation to observe Europa in the 1600Å to 3200Å wavelength regions at phase angles not obtainable from the Earth. Data will supplement and complement the NIMS surface property measurements. UVS configuration: full F/F scans.</p> <p>waiver G-15: Rj = 9.5</p> <p>MBTG = 0.396 MBTG with 3:1 Rice compression 19.044 RIMS, PBK 13 RIMS</p>					
Design Detail					
CDS	RIM	COMMAND	PARAMETERS	PSID	
0	000	COMMENT	UVS RIM 0	(384CE)	
38	000	CMDRS		(157CE)	
	001	1	34UVS,07,S,N,N,N,S,0, ON,OFF,OFF, ON,OFF,NOOVR,1,00,9C,00,00		
	020	20	34UVS,C1,F,N,N,N,S,0,OFF,OFF, ON,OFF,OFF,NOOVR,1,2C,05,00,00		
0		TARGET	RA/Dec=28.54/-8.23	(165DD)	

Mon Mar 2 23:31:36 1998



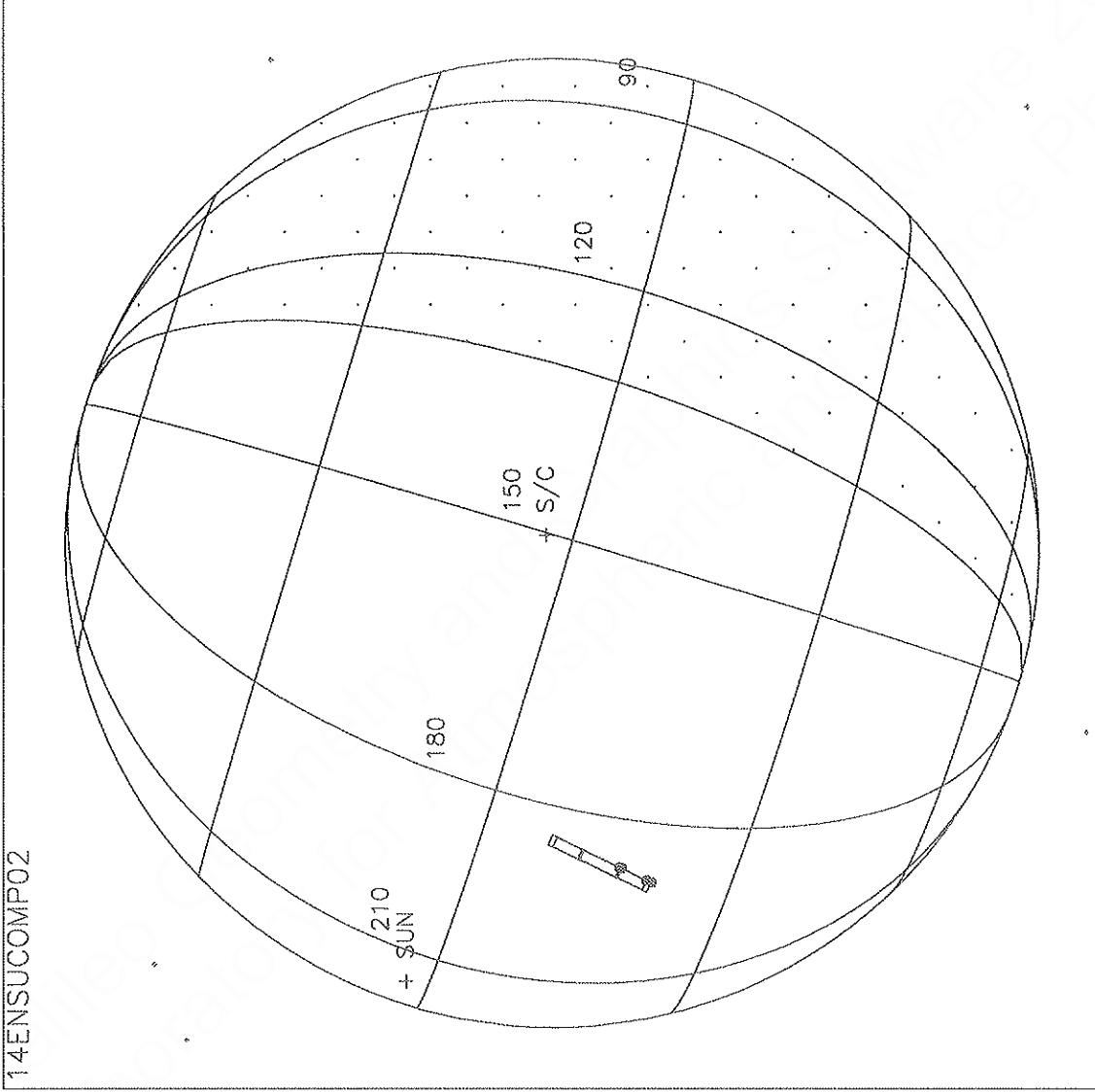
Start UTC_TIME : 1998-088 // 13:31:54.329
No End Time :
Start SCLK : 1/04409501:00:0:0

Target Body : EUROPA
Target Ra/Dec : 15.82/ -0.53 Deg
S/C to Body Center : 4688.131 Km (2.9956109 Re)
Z-axis Pointing (Ra / Dec) : 163.94 / 7.86 Deg

Activity ID: Orbit 14		OAPEL EUSUCOMP		SeqNo 02+	
Title	UVS r/a Europa Surface Composition			Instrument	UVS
Requestor	UVS-SWG/W. SWEET X30523	Team	UVS	Working Group	SWG
Time System	CDS	Load ID	14A	Calendar Date	03/29/98
				Week	13
Start	EEE+CDS 00000048:00:0		98-088/14:09:24.400		EEE+000/00:48:32.000
End	EEE+CDS 00000060:00:0		98-088/14:21:32.400		EEE+000/01:00:40.000
Duration	00000012:00:0		000/00:12:08.000		000/00:12:08.000
Top Label	14EUSUCOMP02+				
Bottom Label	NIMS ride-along				
Plot Key	UVS	Type	SCI		
CDS Bytes	38	Report Options	BOTH	Scan Platform	Yes
CDS Source	OAP	Spin State	DUAL	DMS	Yes
Observation Objective					
<div style="border: 1px solid black; padding: 5px;"> <p>14EUSUCOMP02: Ride-along with the NIMS 14EUSUCOMP02 observation to observe Europa in the 1600Å to 3200Å wavelength regions at phase angles not obtainable from the Earth. Data will supplement and complement the NIMS surface property measurements. UVS configuration: full F/F scans.</p> <p>waiver G-15: Rj = 9.6</p> <p>MBTG = 0.226 MBTG with 3:1 Rice compression 10.879 RIMS, PBK 5 RIMS</p> </div>					
Design Detail					
CDS RIM	COMMAND	PARAMETERS	PSID		
0	000	COMMENT UVS RIM 0	(384CF)		
38	000	CMDRS	(157CF)		
	001	1 34UVS,07,S,N,N,N,S,0, ON,OFF,OFF, ON,OFF,NOOVR,1,00,9C,00,00			
	012	12 34UVS,C1,F,N,N,N,S,0,OFF,OFF, ON,OFF,OFF,NOOVR,1,2C,05,00,00			
0		TARGET RA/Dec=48.42/16.55	(165DE)		

Mon Mar 2 23:33:12 1998

14ENSUCOMP02



Start UTC TIME : 1998-088 // 14:10:19.861

No End Time :

Start SCLK : 1/04409539:00:0:0

Target Body : EUROPA

Target Ra/Dec : 45.05 / 17.04 Deg

S/C to Body Center : 18398.37 Km (11.756147 Re)

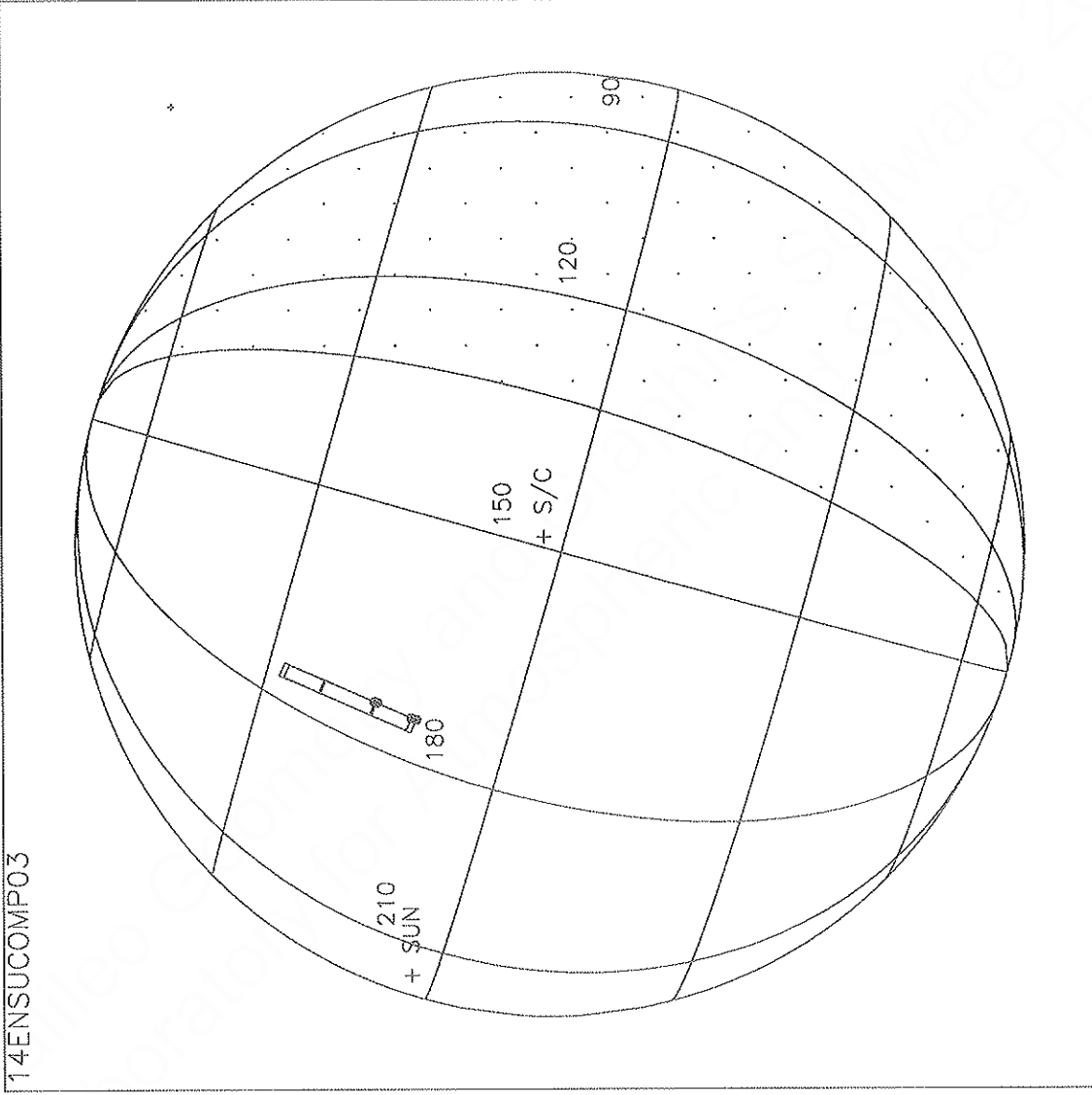
Z-axis Pointing (Ra / Dec) : 163.94 / 7.86 Deg

Activity ID: Orbit 14		OAPEL EUSUCOMP		SeqNo 03+	
Title		UVS r/a Europa Surface Composition		Instrument UVS	
Requestor		UVS-SWG/W. SWEET X30523		Team UVS	
				Working Group SWG	
Time System CDS		Load ID 14A		Calendar Date 03/29/98	
				Week 13	
Start		EEE+CDS 00000063:00:0		98-088/14:24:34.400	
				EEE+000/01:03:42.000	
End		EEE+CDS 00000086:00:0		98-088/14:47:49.733	
				EEE+000/01:26:57.333	
Duration		00000023:00:0		000/00:23:15.333	
				000/00:23:15.333	
Top Label		14ENSUCOMP03+			
Bottom Label		NIMS ride-along			
Plot Key		UVS		Type SCI	
CDS Bytes		38		Report Options BOTH	
				Scan Platform Yes	
CDS Source		OAP		Spin State DUAL	
				DMS Yes	
Observation Objective					
<div style="border: 1px solid black; padding: 5px;"> <p>14EUSUCOMP03: Ride-along with the NIMS 14EUSUCOMP03 observation to observe Europa in the 1600Å to 3200Å wavelength regions at phase angles not obtainable from the Earth. Data will supplement and complement the NIMS surface property measurements. UVS configuration: full F/F scans.</p> <p>waiver G-15: Rj = 9.8</p> <p>MBTG = 0.392 MBTG with 3:1 Rice compression 18.835 RIMS, PBK 13 RIMS</p> </div>					
Design Detail					
CDS	RIM	COMMAND	PARAMETERS	PSID	
0	000	COMMENT	UVS RIM 0	(384CG)	
38	003	CMDRS		(157CG)	
	004	1	34UVS,07,S,N,N,N,S,0, ON,OFF,OFF, ON,OFF,NOOVR,1,00,9C,00,00		
	023	20	34UVS,C1,F,N,N,N,S,0,OFF,OFF, ON,OFF,OFF,NOOVR,1,2C,05,00,00		
0		TARGET	RA/Dec=48.84/19.88	(165DF)	

Mon Mar 2 23:34:32 1998

Obs
1

14ENSUCOMP03

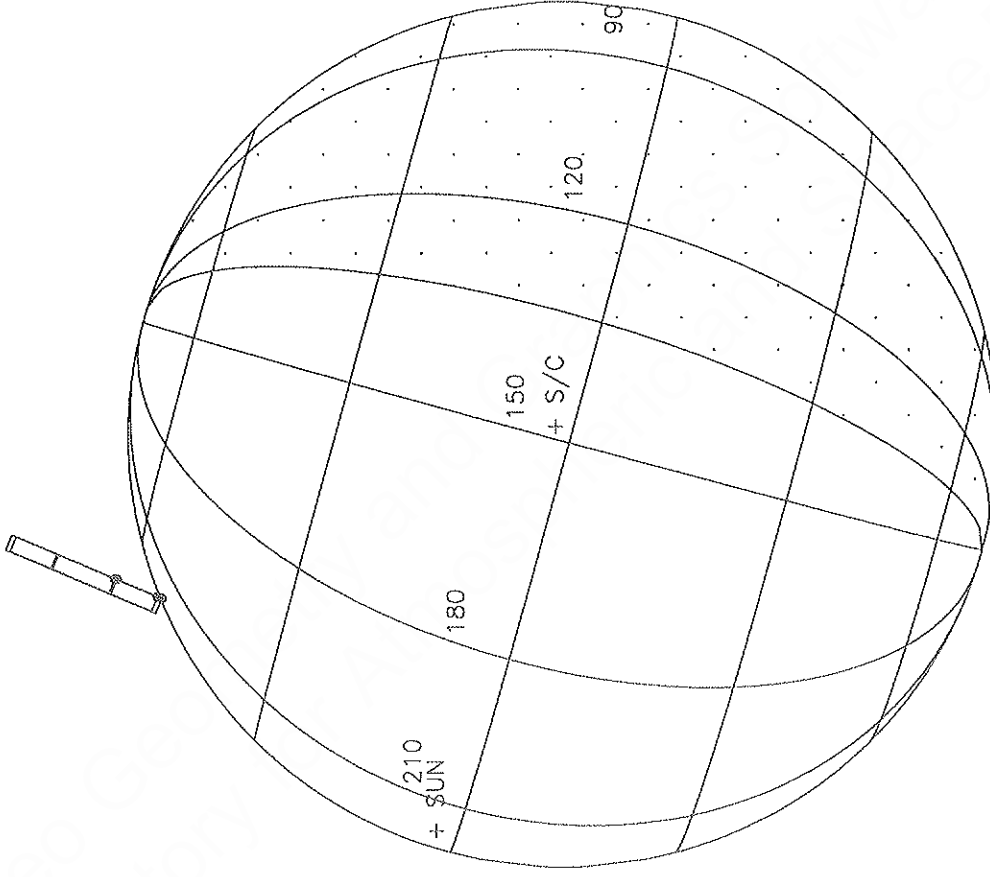


Start UTC_TIME : 1998-088 // 14:28:31.660
No End Time :
Start SCLK : 1/04409557:00:0:0
Target Body : EUROPA
Target Ra/Dec : 47.62/ 18.35 Deg
S/C to Body Center : 25278.87 Km (16.152631 Re)
Z-axis Pointing (Ra / Dec) : 163.94 / 7.86 Deg

Mon Mar 2 23:36:14 1998

Obs
2

14ENSUCOMP03

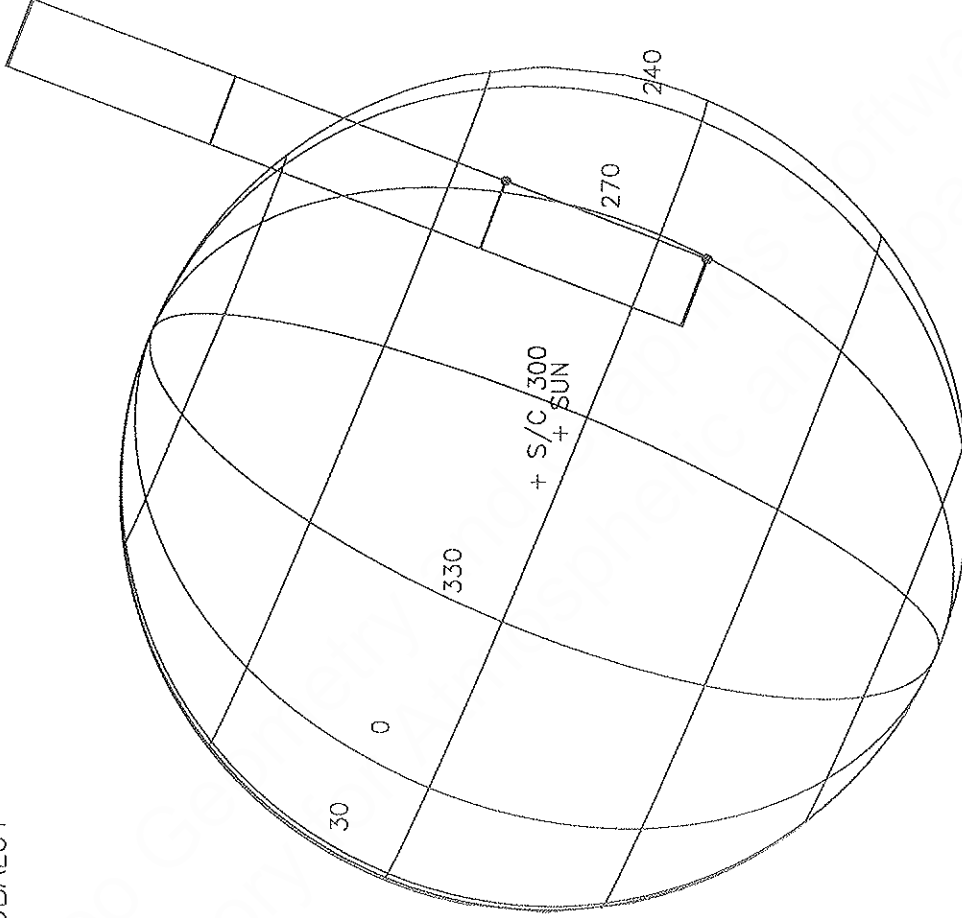


Start UTC_TIME : 1998-088 // 14:44:42.326
No End Time :
Start SCLK : 1/04409573:00:0:0
Target Body : EUROPA
Target Ra/Dec : 48.94 / 19.01 Deg
S/C to Body Center : 31429.86 Km (20.082978 Re)
Z-axis Pointing (Ra / Dec) : 163.94 / 7.86 Deg

Activity ID: Orbit 14	OAPEL CUGLOBAL	SeqNo 01+
Title	UVS r/a Callisto Global Observation	Instrument UVS
Requestor	UVS-SWG/W. SWEET X30523	Team UVS Working Group SWG
Time System CDS	Load ID 14A	Calendar Date 03/31/98 Week 13
Start	CEE-CDS 00000201:00:0	98-090/01:06:27.000 CEE-000/03:23:14.000
End	CEE-CDS 00000170:00:0	98-090/01:37:47.667 CEE-000/02:51:53.333
Duration	00000031:00:0	000/00:31:20.667 000/00:31:20.667
Top Label	14CUGLOBAL01+	
Bottom Label	NIMS ride-along	
Plot Key	UVS	Type SCI
CDS Bytes	38	Report Options BOTH Scan Platform Yes
CDS Source	OAP	Spin State DUAL DMS Yes
Observation Objective		
	14CUGLOBAL01: Ride-along with the NIMS 14CUGLOBAL01 observation to observe Callisto in the 1600Å to 3200Å wavelength regions at phase angles not obtainable from the Earth. Data will supplement and complement the NIMS surface property measurements. UVS configuration: full F/F scans.	
	Rj = 24	
	MBTG = 0.617 MBTG with 3:1 Rice compression 29.670 RIMS, PBK 25 RIMS	
Design Detail		
CDS RIM	COMMAND PARAMETERS	PSID
0	000 COMMENT UVS RIM 0	(384CH)
38	000 CMDRS	(157CH)
	001 1 34UVS,07,S,N,N,N,S,0, ON,OFF,OFF, ON,OFF,NOOVR,1,00,9C,00,00	
	031 31 34UVS,C1,F,N,N,N,S,0,OFF,OFF, ON,OFF,OFF,NOOVR,1,2C,05,00,00	
0	TARGET RA/Dec=332.07/-12.88	(165DH)

Mon Mar 2 23:40:17 1998

14CNGLOBAL01



Start UTC_TIME : 1998-090 // 01:07:22.252
No End Time :
Start SCLK : 1/04411613:00:0:0

Target Body : CALLISTO
Target Ra/Dec : 332.54 / -13.13 Deg
S/C to Body Center : 234821.7 Km (97.720236 Rc)
Z-axis Pointing (Ra / Dec) : 163.94 / 7.86 Deg