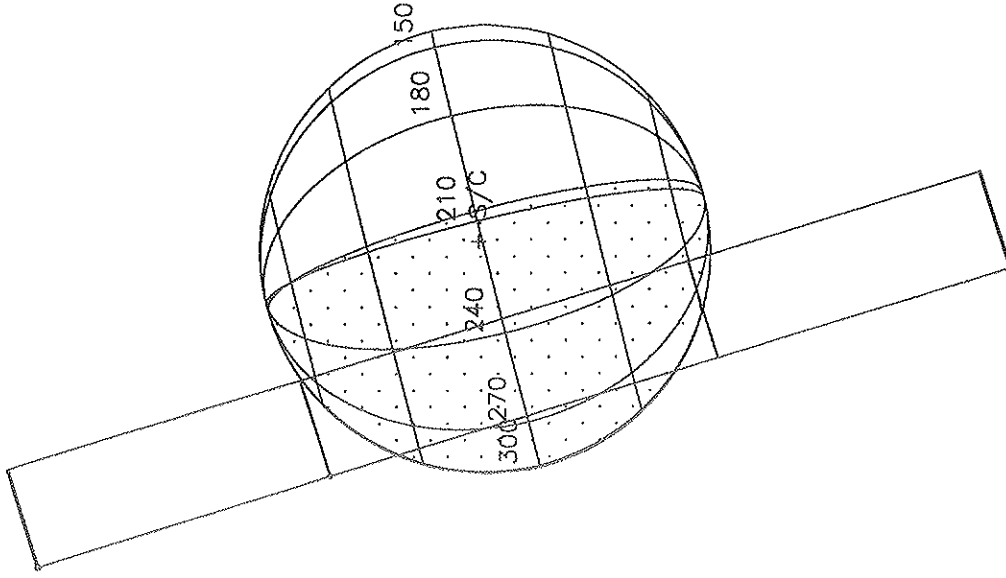


<b>Activity ID:</b>	Orbit 14	<b>OAPEL</b> EUATMOS_	<b>SeqNo</b>	01-
<b>Title</b>	UVS Europa Atmosphere Observation		<b>Instrument</b>	UVS
<b>Requestor</b>	UVS-SWG/W. SWEET X30523	<b>Team</b>	UVS	<b>Working Group</b> SWG
<b>Time System</b>	CDS	<b>Load ID</b>	14A	<b>Calendar Date</b> 03/28/98 <b>Week</b> 13
<b>Start</b>	JEE-CDS 00001101:00:0		98-087/13:26:06.400	JEE-000/18:33:14.000
<b>End</b>	JEE-CDS 00000947:00:0		98-087/16:01:49.067	JEE-000/15:57:31.333
<b>Duration</b>	00000154:00:0		000/02:35:42.667	000/02:35:42.667
<b>Top Label</b>	14EUATMOS_01-			
<b>Bottom Label</b>	real-time			
<b>Plot Key</b>	UVS	<b>Type</b>	SCI	
<b>CDS Bytes</b>	450	<b>Report Options</b>	BOTH	<b>Scan Platform</b> Yes
<b>CDS Source</b>	OAP	<b>Spin State</b>	DUAL	<b>DMS</b> No
<b>Observation Objective</b>				
<p>14EUATMOS_01: Europa atmosphere observation. We will look for Europa atmospheric emissions (oxygen, hydrogen and sulfur, as well as other possibilities). We will also monitor the tenuous atmosphere for possible outgassing episodes. Observe Europa's atmosphere for ~4 1/2 hours. Darkside, 210' longitude. UVS configuration 1215-1302 A 16 step G/G mini-scan.</p> <p>First 1+ hours, target Europa's surface with TMC. Second 1/2 hour, +1 Europa radii for 30 rims          Third 1/2 hour, +2 Europa radii for 30 rims</p> <p>waiver G-14: cone 70 constraint          waiver G-15: Rj = 14.3 - 13</p> <p>MBTG = 17712 bits/flush * 4 flushes = 0.071</p>				
<b>Design Detail</b>				
CDS RIM	COMMAND	PARAMETERS	PSID	
---	---	---	---	
0	000	COMMENT UVS RIM 0	(384CA)	
28	003+UVFLUSH	DISCRD,UVS	(349CA)	
66	003	CMDRS	(157CA)	
	004	1 34UVS,D1,F,N,N,N,S,0,OFF,OFF, ON, ON,OFF,NOOVR,1,5A,45,00,39		
	154	151 34UVS,C1,F,N,N,N,S,0,OFF,OFF, ON,OFF,OFF,NOOVR,1,2C,05,00,00		
54	004	TARGET RA/Dec=233.80/-20.91; TMC body	(165CA) (2 TMC segments)	
28	047+UVFLUSH	PACKET,UVS	(349CB)	
28	096+UVFLUSH	PACKET,UVS	(349CC)	
54	098	TARGET RA/Dec=231.44/-20.37; TMC +1 off	(165CB)	
28	130+UVFLUSH	PACKET,UVS	(349CD)	
54	132	TARGET RA/Dec=230.91/-20.25; TMC +2 off	(165CC)	
28	153+UVFLUSH	PACKET,UVS	(349CE)	

Tue Feb 17 00:07:49 1998

Observation

14EUATMOS\_01

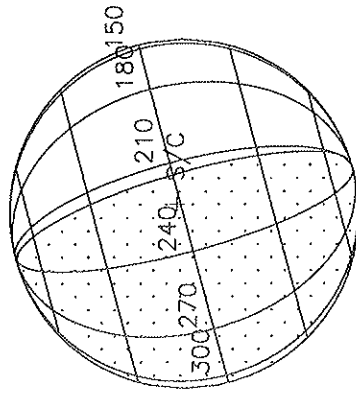
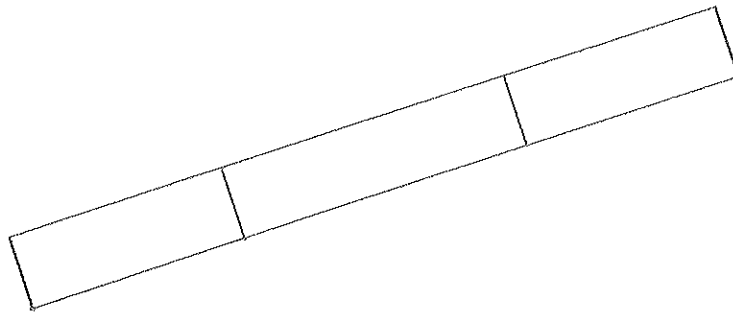


Start UTC\_TIME : 1998-087 // 13:30:03.714  
No End Time :  
Start SCLK : 1/04408075:00:0:0  
Target Body : EUROPA  
Target Ra/Dec : 233.67 / -20.89 Deg  
S/C to Body Center : 404633.8 Km ( 258.55196 Re )  
Z-axis Pointing ( Ra / Dec ) : 163.94 / 7.86 Deg

Fri Feb 27 20:12:40 1998

14EUATMOS\_01

Obs  
2



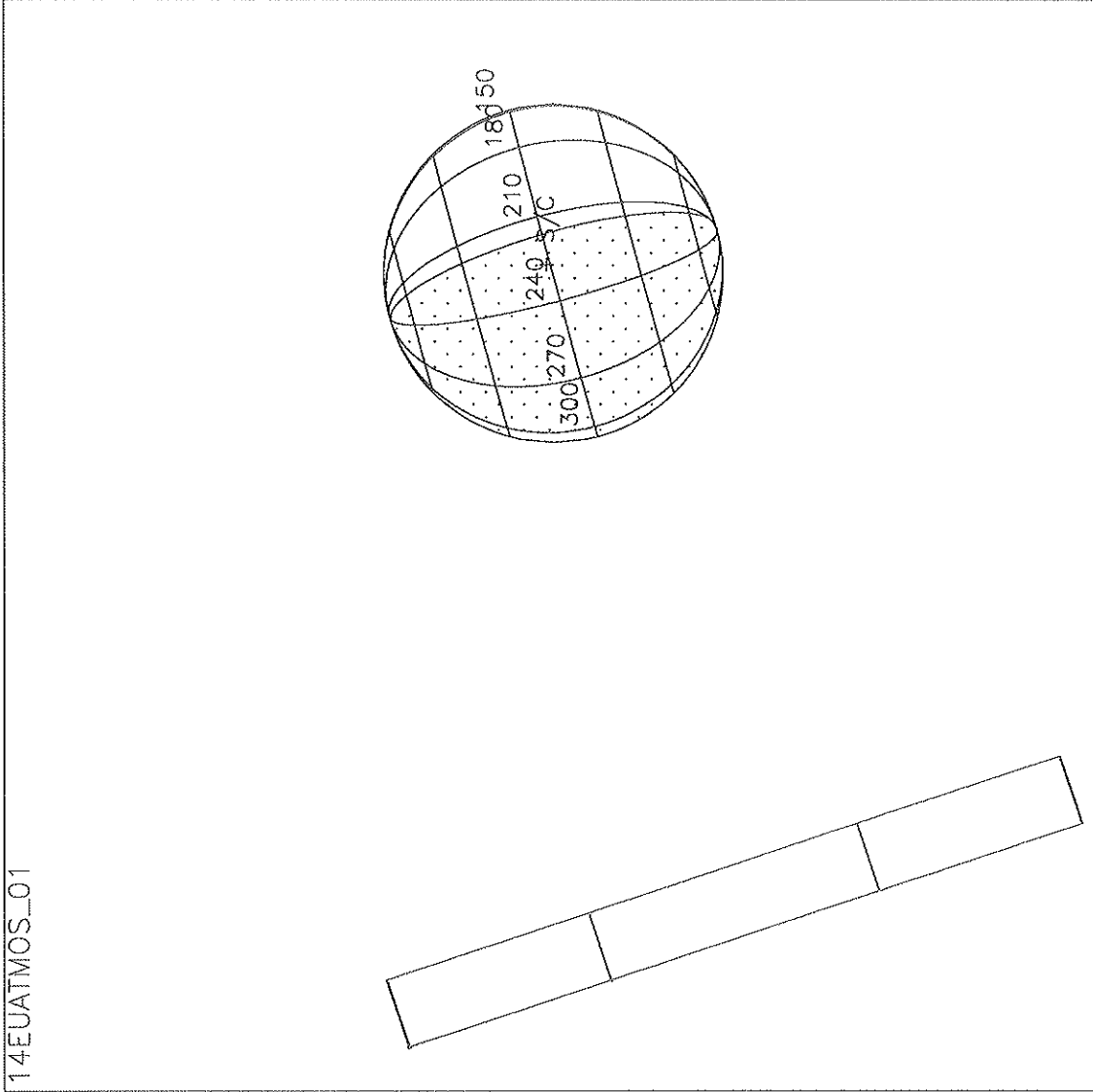
Start UTC\_TIME : 1998-067 // 15:04:05.710  
No End Time :  
Start SCLK : 1/04408168:00:0:0

Target Body : EUROPA  
Target Ro/Dec : 230.89 / -20.23 Deg  
S/C to Body Center : 382258.5 Km ( 244.25464 Re )  
Z-axis Pointing ( Ra / Dec ) : 163.94 / 7.86 Deg

Fri Feb 27 20:14:47 1998

Obs  
3

14EUATMOS\_01



Start UTC\_TIME : 1998-087 // 15:38:28.376

No End Time :

Start SCLK : 1/04408202:00:0:0

Target Body : EUROPA

Target Ra/Dec : 229.96/-20.00 Deg

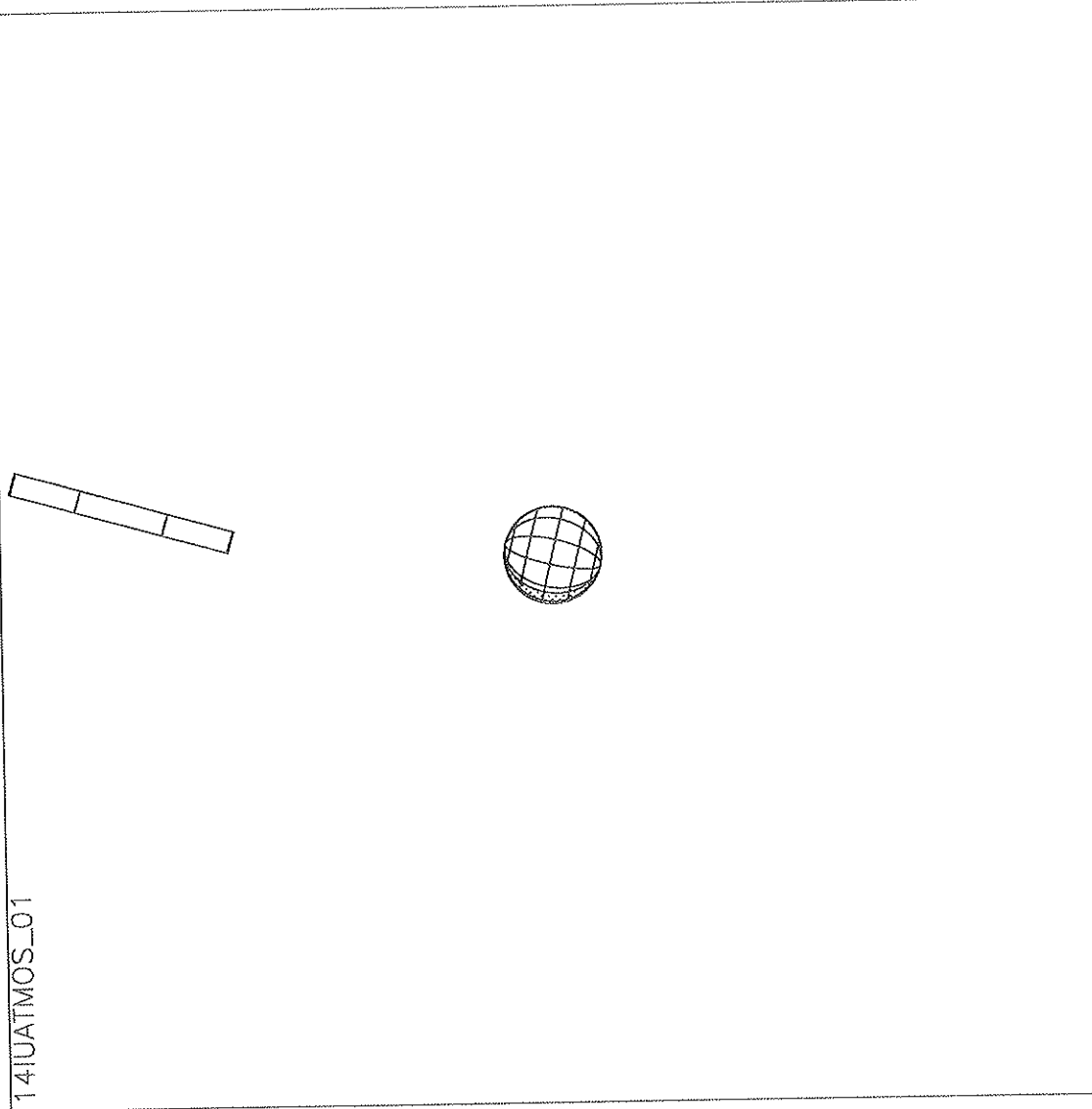
S/C to Body Center : 374934.5 Km ( 239.57479 Re )

Z-axis Pointing ( Ra / Dec ) : 163.94 / 7.86 Deg

<b>Activity ID:</b> Orbit 14		<b>OAPEL IUATMOS_</b>		<b>SeqNo</b> 01-	
<b>Title</b>	UVS Io Atmosphere Observation			<b>Instrument</b>	UVS
<b>Requestor</b>	UVS-SWG/W. SWEET X30523	<b>Team</b>	UVS	<b>Working Group</b>	SWG
<b>Time System</b>	CDS	<b>Load ID</b>	14A	<b>Calendar Date</b>	03/28/98
		<b>Week</b>			13
<b>Start</b>	JEE-CDS 00000733:00:0		98-087/19:38:11.734		JEE-000/12:21:08.666
<b>End</b>	JEE-CDS 00000459:00:0		98-088/00:15:14.400		JEE-000/07:44:06.000
<b>Duration</b>	00000274:00:0		000/04:37:02.666		000/04:37:02.666
<b>Top Label</b>	14IUATMOS_01-				
<b>Bottom Label</b>	real-time				
<b>Plot Key</b>	UVS	<b>Type</b>	SCI		
<b>CDS Bytes</b>	518	<b>Report Options</b>	BOTH	<b>Scan Platform</b>	Yes
<b>CDS Source</b>	OAP	<b>Spin State</b>	DUAL	<b>DMS</b>	No
<b>Observation Objective</b>					
<p>14IUATMOS_01: Io surface/atmosphere observation. We investigate Io atmospheric emissions (hydrogen and oxygen). We will also monitor the tenuous atmosphere for variations due to volcanic activity and SO2 frost sublimation. Darkside, 130' longitude.</p> <p>First 1 1/2 hours, off north pole 2 radii with TMC 1215-1302 Å 16 step G/G mini-scans                  Second 1 1/2 hours, target Io darkside body with TMC 1356-1391 Å 1-step, 2-position G/G mini-scan (PWS quiet)                  Third 1/2 hour, +1 radii off body with TMC 1215-1302 Å 16 step G/G mini-scans                  Fourth 1/2 hour, -1 radii off body with TMC 1215-1302 Å 16 step G/G mini-scans                  Fifth 1/2 hour, -10 radii off body with TMC 1215-1302 Å 16 step G/G mini-scans</p> <p>waiver G-15: Rj = 11.7</p>					
<b>Design Detail</b>					
CDS	RIM	COMMAND	PARAMETERS	PSID	
0	000	COMMENT	UVS RIM 0	(384CB)	
28	003	+UVFLUSH	DISCRD,UVS	(349CG)	
80	003	CMDRS		(157CB)	
	004	1	34UVS,D1,F,N,N,N,S,0,OFF,OFF,ON,ON,OFF,NOOVR,1,5A,45,00,39		
	094	91	34UVS,C1,F,N,N,N,S,0,OFF,OFF,ON,ON,OFF,NOOVR,1,BE,05,00,17		
	184	181	34UVS,D1,F,N,N,N,S,0,OFF,OFF,ON,ON,OFF,NOOVR,1,5A,45,00,39		
	274	271	34UVS,C1,F,N,N,N,S,0,OFF,OFF,ON,OFF,OFF,NOOVR,1,2C,05,00,00		
54	004	TARGET	RA/Dec=300.05/-19.02;TMC offbody(165CE)		
28	092	+UVFLUSH	PACKET,UVS	(349CH)	
54	094	TARGET	RA/Dec=302.22/-20.36;TMC onbody(165CF)		
28	182	+UVFLUSH	PACKET,UVS	(349CI)	
54	184	TARGET	RA/Dec=302.42/-20.16;TMC+1 radii(165CG)		
28	212	+UVFLUSH	PACKET,UVS	(349CJ)	
54	214	TARGET	RA/Dec=303.97/-19.83;TMC-1 radii(165CH)		
28	242	+UVFLUSH	PACKET,UVS	(349CK)	
54	244	TARGET	RA/Dec=309.21/-18.72;TMC-10radii(165CI)		
28	273	+UVFLUSH	PACKET,UVS	(349CL)	

Mon Mar 9 23:19:08 1998

14IUATMOS\_01

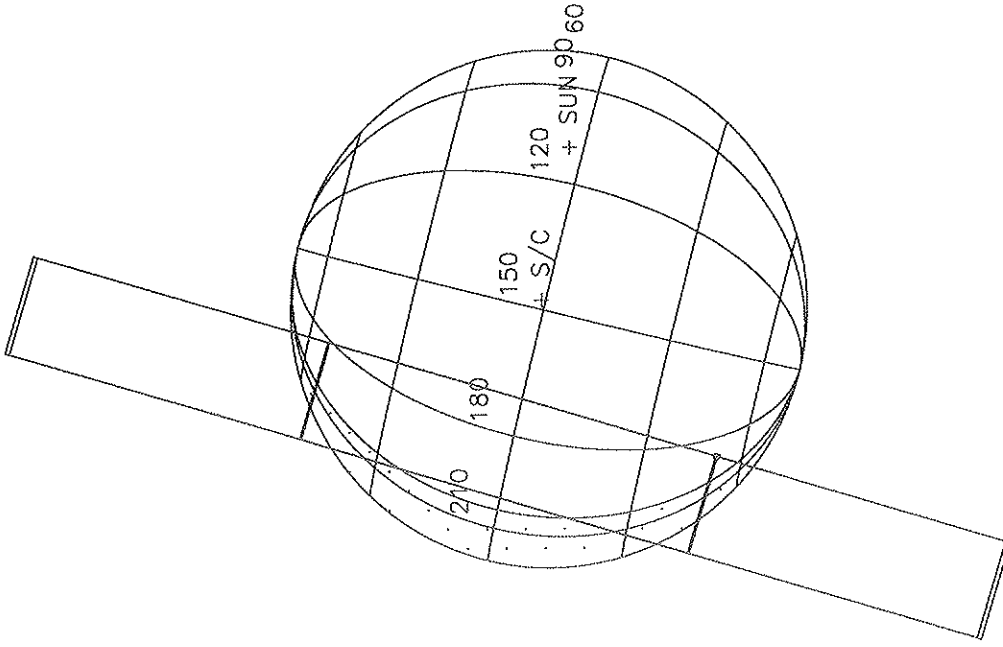


Obs  
1

Start UTC\_TIME : 1998-087 // 19:42:09.034  
No End Time :  
Start SCLK : 1/04408443:00:0:0  
Target Body : IO  
Target Ra/Dec : 300.27 / -20.93 Deg  
S/C to Body Center : 478452.0 Km ( 262.25887 Ri )  
Z-axis Pointing ( Ra / Dec ) : 163.94 / 7.86 Deg

Mon Mar 9 23:20:36 1998

14IUATMOS\_01



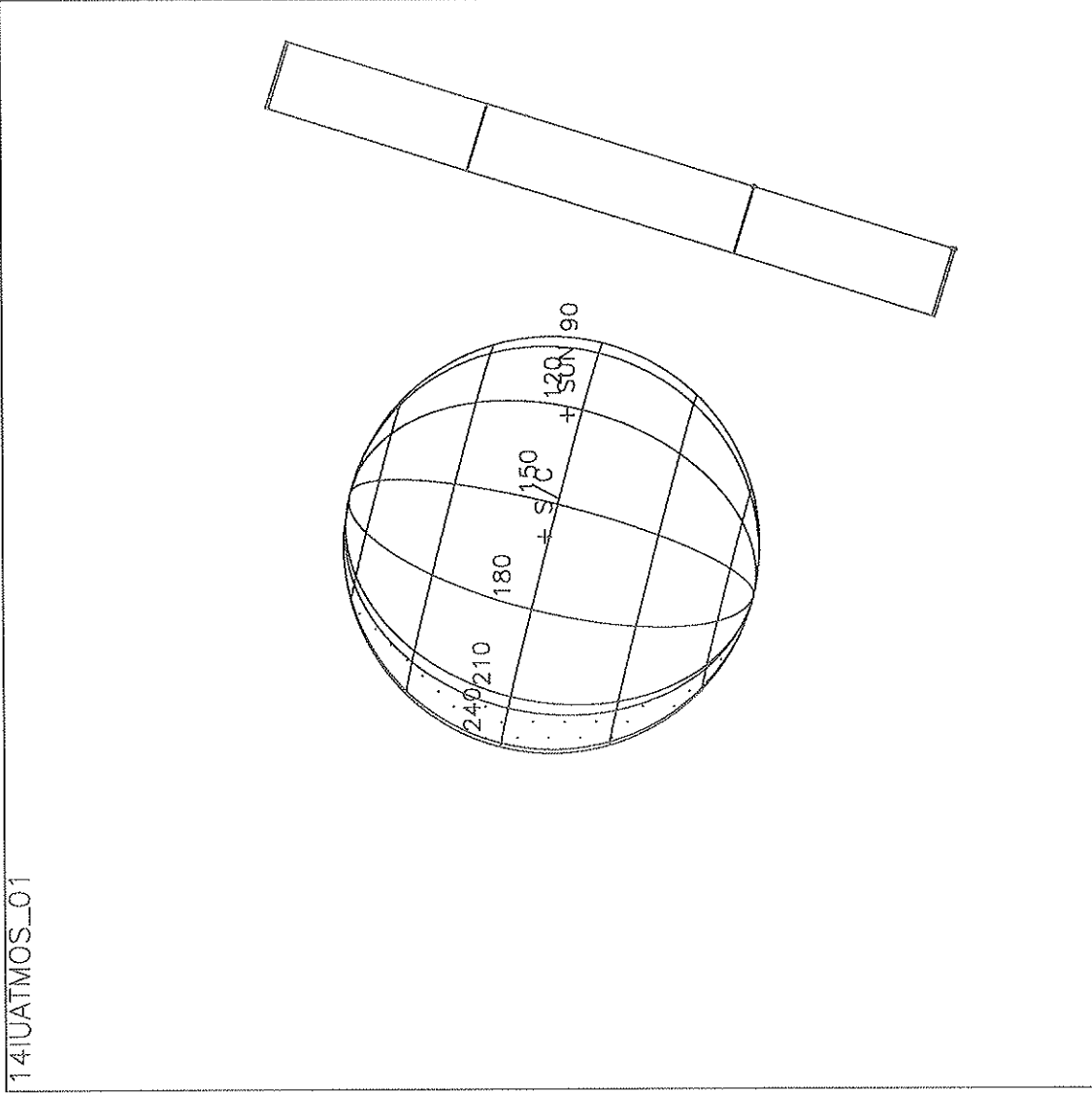
Obs  
2

Start UTC\_TIME : 1998-087 // 21:12:08.364  
No End Time :  
Start SCLK : 1/04408532:00:0:0  
Target Body : IO  
Target Ra/Dec : 302.08/-20.40 Deg  
S/C to Body Center : 408357.2 Km ( 223.83707 Ri )  
Z-axis Pointing ( Ra / Dec ) : 163.94 / 7.86 Deg

Mon Mar 9 23:21:56 1998

Obs  
3

14IUATMOS\_01



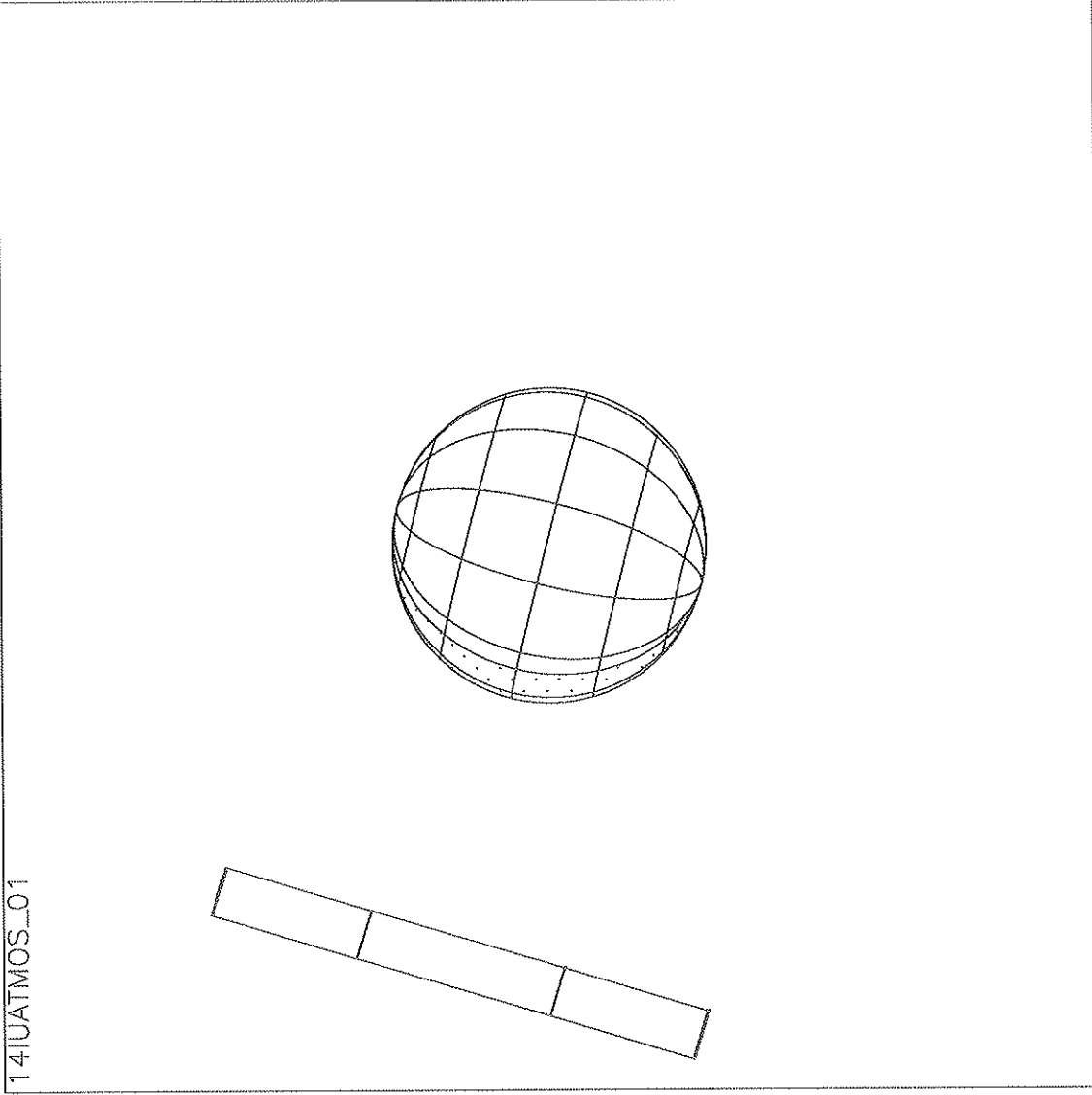
Start UTC\_TIME : 1998-087 // 22:43:08.361  
No End Time :  
Start SCLK : 1/04408622:00:0:0  
Target Body : IO  
Target Ra/Dec : 302.98 / -20.07 Deg  
S/C to Body Center : 350054.0 Km ( 191.87876 Ri )  
Z-axis Pointing ( Ra / Dec ) : 163.94 / 7.86 Deg



Mon Mar 9 23:23:10 1998

Obs  
4

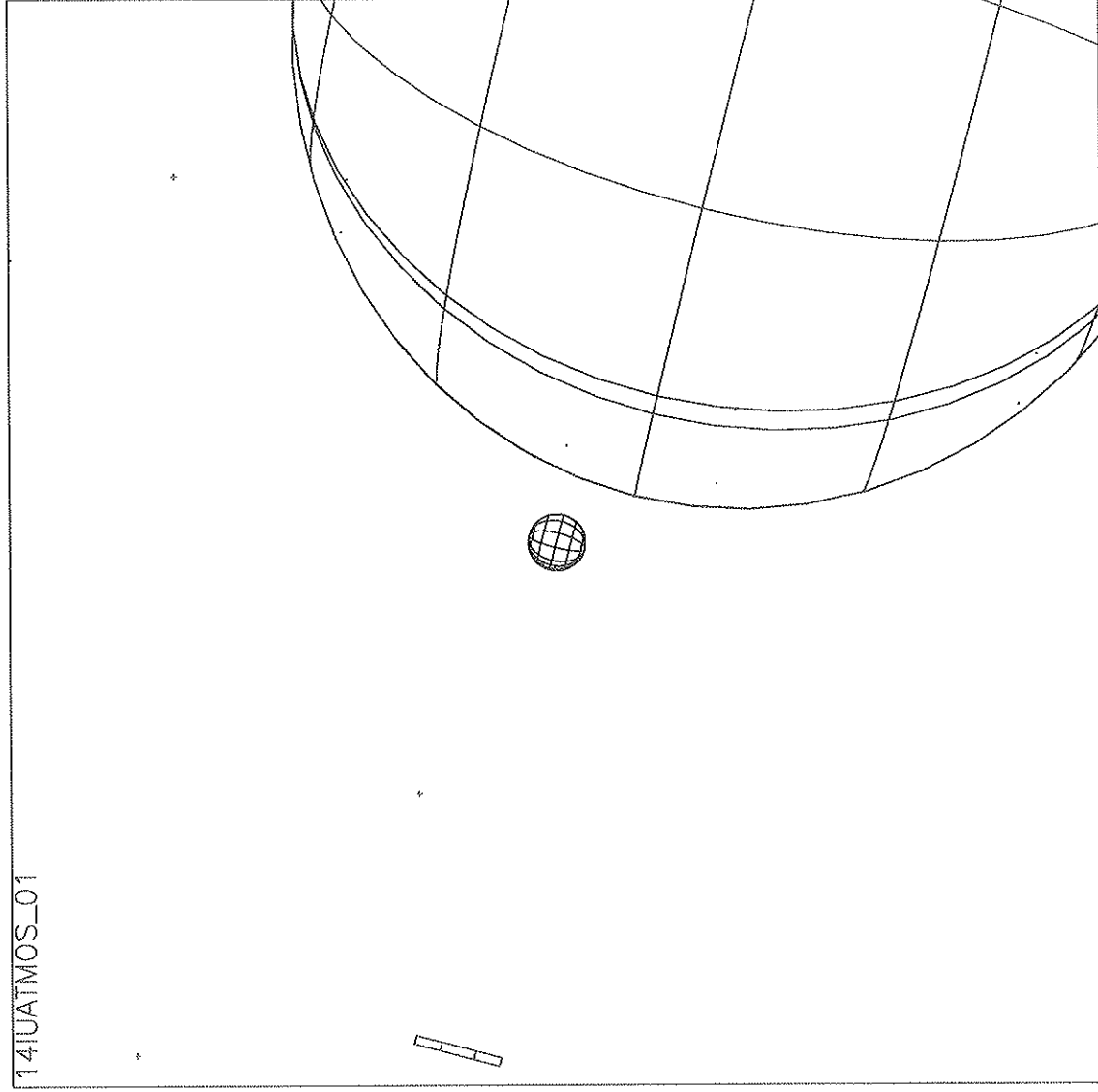
14IUATMOS\_01



Start UTC\_TIME : 1998-087 // 23:13:28.360  
No End Time :  
Start SCLK : 1/04408652:00:0:0  
Target Body : IO  
Target Ra/Dec : 303.08/-20.01 Deg  
S/C to Body Center : 333616.1 Km ( 182.86848 Ri )  
Z-axis Pointing ( Ra / Dec ) : 163.94 / 7.86 Deg

Mon Mar 9 23:24:26 1998

14IUATMOS\_01



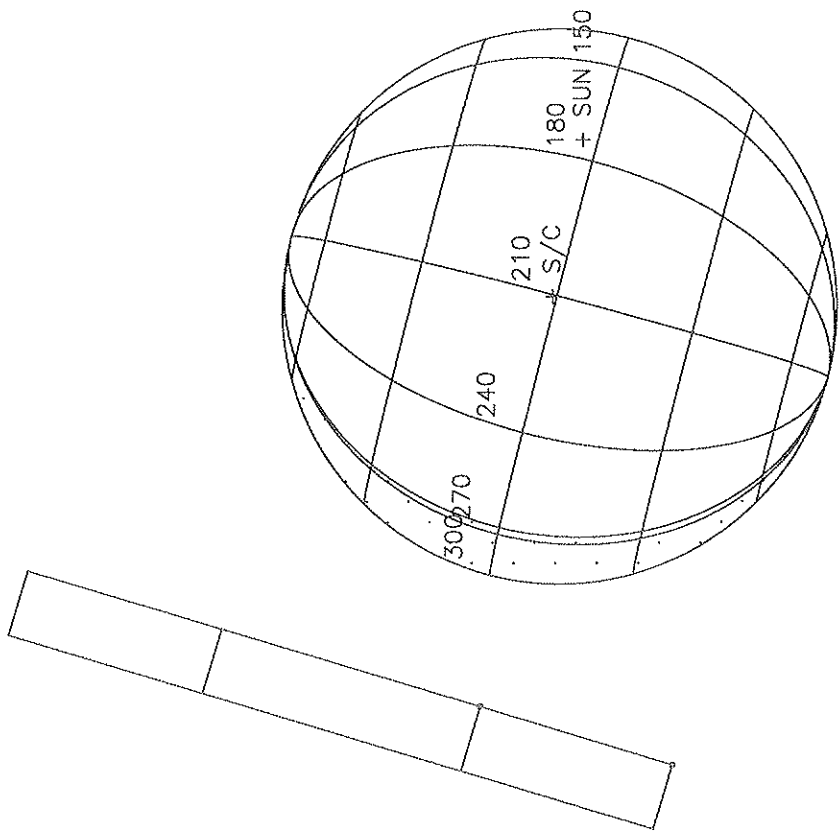
Obs  
5

Start UTC\_TIME : 1998-087 // 23:43:48.358  
No End Time :  
Start SCLK : 1/04408682:00:0:0  
Target Body : IO  
Target Ro/Dec : 303.10/-19.98 Deg  
S/C to Body Center : 318721.3 Km ( 174.70404 Ri )  
Z-axis Pointing ( Ra / Dec ) : 163.94 / 7.86 Deg

<b>Activity ID:</b> Orbit 14	<b>OAPEL</b> IUHRSPEC	<b>SeqNo</b> 01+
<b>Title</b>	UVS r/a Io Hi Res Spectrum	<b>Instrument</b> UVS
<b>Requestor</b>	UVS-SWG/W. SWEET X30523	<b>Team</b> UVS
		<b>Working Group</b> SWG
<b>Time System</b> CDS	<b>Load ID</b> 14A	<b>Calendar Date</b> 03/29/98
	<b>Week</b> 13	
<b>Start</b>	IEE+CDS 00000000:00:0	98-088/04:48:14.400
		IEE+000/00:00:00.000
<b>End</b>	IEE+CDS 00000023:00:0	98-088/05:11:29.733
		IEE+000/00:23:15.333
<b>Duration</b>	00000023:00:0	000/00:23:15.333
		000/00:23:15.333
<b>Top Label</b>	14IUHRSPEC01+	
<b>Bottom Label</b>	NIMS ride-along	
<b>Plot Key</b>	UVS	<b>Type</b> SCI
<b>CDS Bytes</b>	38	<b>Report Options</b> BOTH
		<b>Scan Platform</b> Yes
<b>CDS Source</b>	OAP	<b>Spin State</b> DUAL
		<b>DMS</b> Yes
<b>Observation Objective</b>		
<div style="border: 1px solid black; padding: 5px;"> <p>14IUHRSPEC01: Ride-along with the NIMS 14IUHRSPEC01 observation to observe Io at high spectral resolution in the 1600Å to 3200Å wavelength regions at phase angles not obtainable from the Earth. Data will supplement and complement the NIMS surface property measurements. UVS configuration: full F/F scans.</p> <p>waiver G-15: Rj = 9.0</p> <p>MBTG = 0.392 MBTG with 3:1 Rice compression 18.835 RIMS, PBK 5 RIMS</p> </div>		
<b>Design Detail</b>		
CDS RIM COMMAND PARAMETERS		PSID
0 000 COMMENT UVS RIM 0		(384CC)
38 003 CMDRS		(157CC)
004 1 34UVS,07,S,N,N,N,S,0, ON,OFF,OFF, ON,OFF,NOOVR,1,00,9C,00,00		
023 20 34UVS,C1,F,N,N,N,S,0,OFF,OFF, ON,OFF,OFF,NOOVR,1,2C,05,00,00		
0 TARGET RA/Dec=304.91/-19.55		(165DB)

Mon Mar 2 23:24:54 1998

14INHRSPEC01

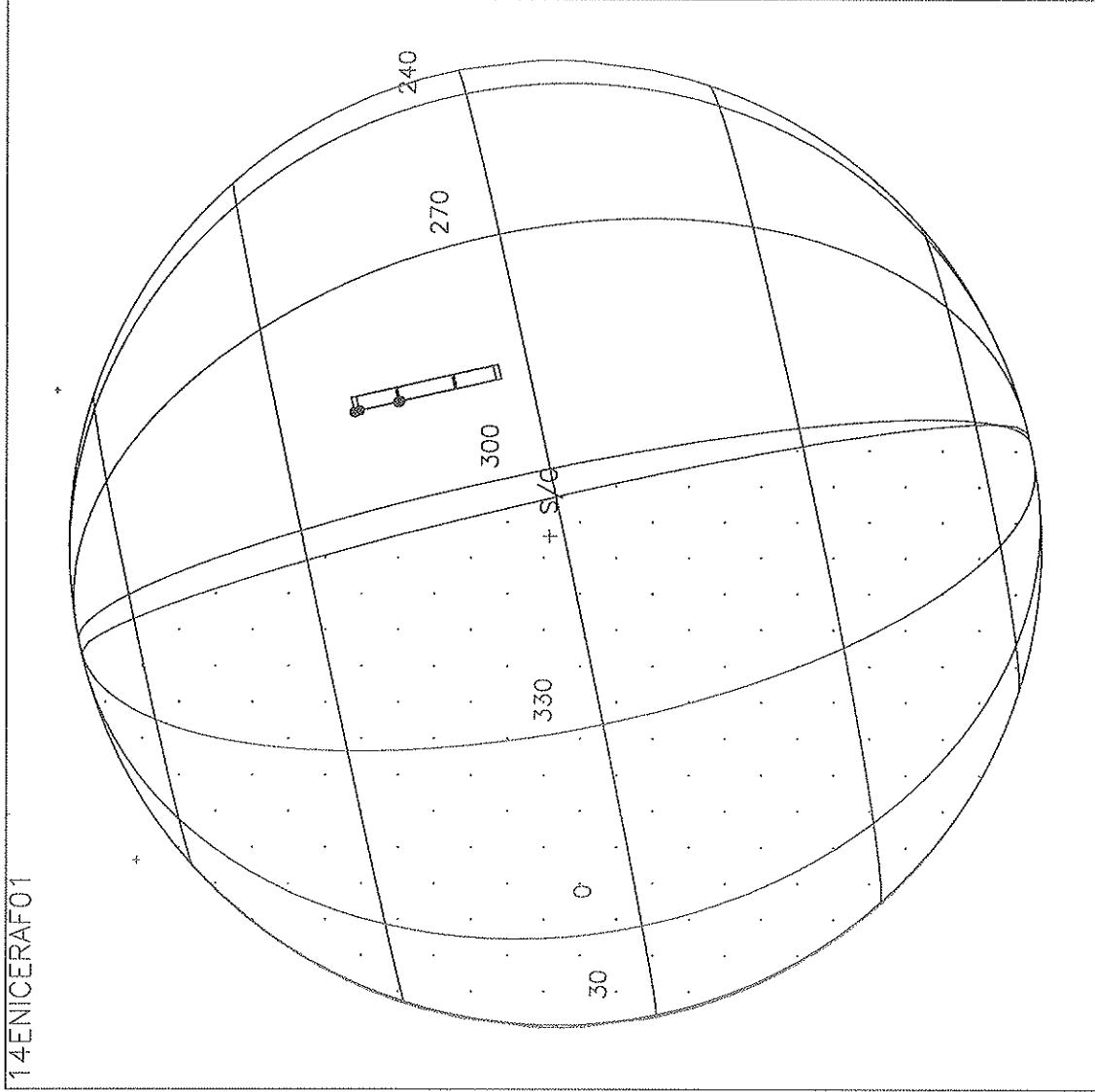


Start UTC\_TIME : 1998-088 // 04:52:11.681  
No End Time :  
Start SCLK : 1/04#08987:00:0:0  
Target Body : IO  
Target Ra/Dec : 304.29/-19.88 Deg  
S/C to Body Center : 251845.5 Km ( 138.04671 RI )  
Z-axis Pointing ( Ra / Dec ) : 163.94 / 7.86 Deg

<b>Activity ID:</b> Orbit 14		OAPEL EUCERAF		<b>SeqNo</b> 01+	
<b>Title</b>		UVS r/a Europa Ice Rift		<b>Instrument</b> UVS	
<b>Requestor</b>		UVS-SWG/W. SWBET X30523		<b>Team</b> UVS	
				<b>Working Group</b> SWG	
<b>Time System</b> CDS		<b>Load ID</b> 14A		<b>Calendar Date</b> 03/29/98	
				<b>Week</b> 13	
<b>Start</b>		EEE-CDS 00000073:00:0		98-088/12:07:03.734	
				EEE-000/01:13:48.666	
<b>End</b>		EEE-CDS 00000038:00:0		98-088/12:42:27.067	
				EEE-000/00:38:25.333	
<b>Duration</b>		00000035:00:0		000/00:35:23.333	
				000/00:35:23.333	
<b>Top Label</b>		14EUCERAF01+			
<b>Bottom Label</b>		NIMS ride-along			
<b>Plot Key</b>		UVS		<b>Type</b> SCI	
<b>CDS Bytes</b>		38		<b>Report Options</b> BOTH	
				<b>Scan Platform</b> Yes	
<b>CDS Source</b>		OAP		<b>Spin State</b> DUAL	
				<b>DMS</b> Yes	
<b>Observation Objective</b>					
<div style="border: 1px solid black; padding: 5px;"> <p>14EUCERAF01: Ride-along with the NIMS 14EUCERAF01 observation to observe Europa ice rafts in the 1600Å to 3200Å wavelength regions at phase angles not obtainable from the Earth. Data will supplement and complement the NIMS surface property measurements. UVS configuration: full F/F scans.</p> <p>waiver G-14: cone 78 waiver G-15: Rj = 9.2</p> <p>MBTG = 0.637 MBTG with 3:1 Rice compression 30.659 RIMS, PBK 26 RIMS</p> </div>					
<b>Design Detail</b>					
CDS RIM COMMAND PARAMETERS				PSID	
-----				-----	
0	000	COMMENT	UVS RIM 0	(384CD)	
38	003	CMDRS		(157CD)	
	004	1	34UVS,07,S,N,N,N,S,0, ON,OFF,OFF, ON,OFF,NOOVR,1,00,9C,00,00		
	035	32	34UVS,C1,F,N,N,N,S,0,OFF,OFF, ON,OFF,OFF,NOOVR,1,2C,05,00,00		
0		TARGET	RA/Dec=237.57/-22.47	(165DC)	

Mon Mar 2 23:29:12 1998

14ENICERAF01



Start UTC\_TIME : 1998-088 // 12:11:00.998

No End Time :

Start SCLK : 1/04409421:00:0:0

Target Body : EUROPA

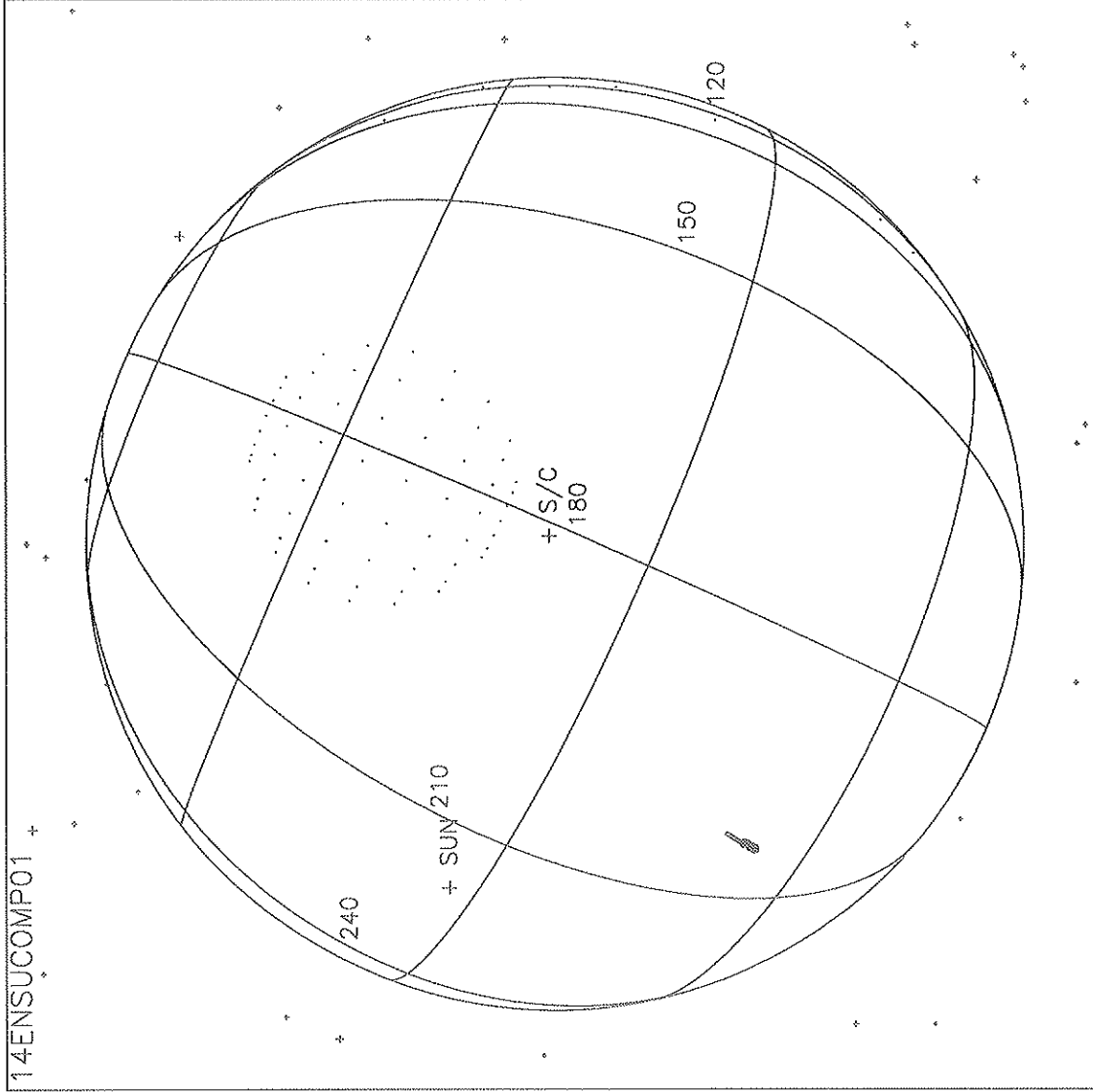
Target Ra/Dec : 238.71 / -23.34 Deg

S/C to Body Center : 27697.37 Km ( 17.698000 Re )

Z-axis Pointing ( Ra / Dec ) : 163.94 / 7.86 Deg

<b>Activity ID:</b> Orbit 14		<b>OAPEL EUSUCOMP</b>		<b>SeqNo</b> 01+	
<b>Title</b>		UVS r/a Europa Surface Composition		<b>Instrument</b> UVS	
<b>Requestor</b>		UVS-SWG/W. SWEET X30523		<b>Team</b> UVS	
				<b>Working Group</b> SWG	
<b>Time System</b> CDS		<b>Load ID</b> 14A		<b>Calendar Date</b> 03/29/98	
				<b>Week</b> 13	
<b>Start</b>		EEE+CDS 00000010:00:0		98-088/13:30:59.066	
				EEE+000/00:10:06.666	
<b>End</b>		EEE+CDS 00000030:00:0		98-088/13:51:12.400	
				EEE+000/00:30:20.000	
<b>Duration</b>		00000020:00:0		000/00:20:13.334	
				000/00:20:13.334	
<b>Top Label</b>		14EUSUCOMP01+			
<b>Bottom Label</b>		NIMS ride-along			
<b>Plot Key</b>		UVS		<b>Type</b> SCI	
<b>CDS Bytes</b>		38		<b>Report Options</b> BOTH	
				<b>Scan Platform</b> Yes	
<b>CDS Source</b>		OAP		<b>Spin State</b> DUAL	
				<b>DMS</b> Yes	
<b>Observation Objective</b>					
<div style="border: 1px solid black; width: 150px; height: 100px; display: inline-block; vertical-align: top; margin-right: 10px;"></div> <p>14EUSUCOMP01: Ride-along with the NIMS 14EUSUCOMP01 observation to observe Europa in the 1600Å to 3200Å wavelength regions at phase angles not obtainable from the Earth. Data will supplement and complement the NIMS surface property measurements. UVS configuration: full F/F scans.</p> <p>waiver G-15: Rj = 9.5</p> <p>MBTG = 0.396 MBTG with 3:1 Rice compression 19.044 RIMS, PBK 13 RIMS</p>					
<b>Design Detail</b>					
CDS	RIM	COMMAND	PARAMETERS	PSID	
0	000	COMMENT	UVS RIM 0	(384CE)	
38	000	CMDRS		(157CE)	
	001	1	34UVS,07,S,N,N,N,S,0, ON,OFF,OFF, ON,OFF,NOOVR,1,00,9C,00,00		
	020	20	34UVS,C1,F,N,N,N,S,0,OFF,OFF, ON,OFF,OFF,NOOVR,1,2C,05,00,00		
0		TARGET	RA/Dec=28.54/-8.23	(165DD)	

Mon Mar 2 23:31:36 1998



Start UTC\_TIME : 1998-088 // 13:31:54.329  
No End Time :  
Start SCLK : 1/04409501:00:0:0

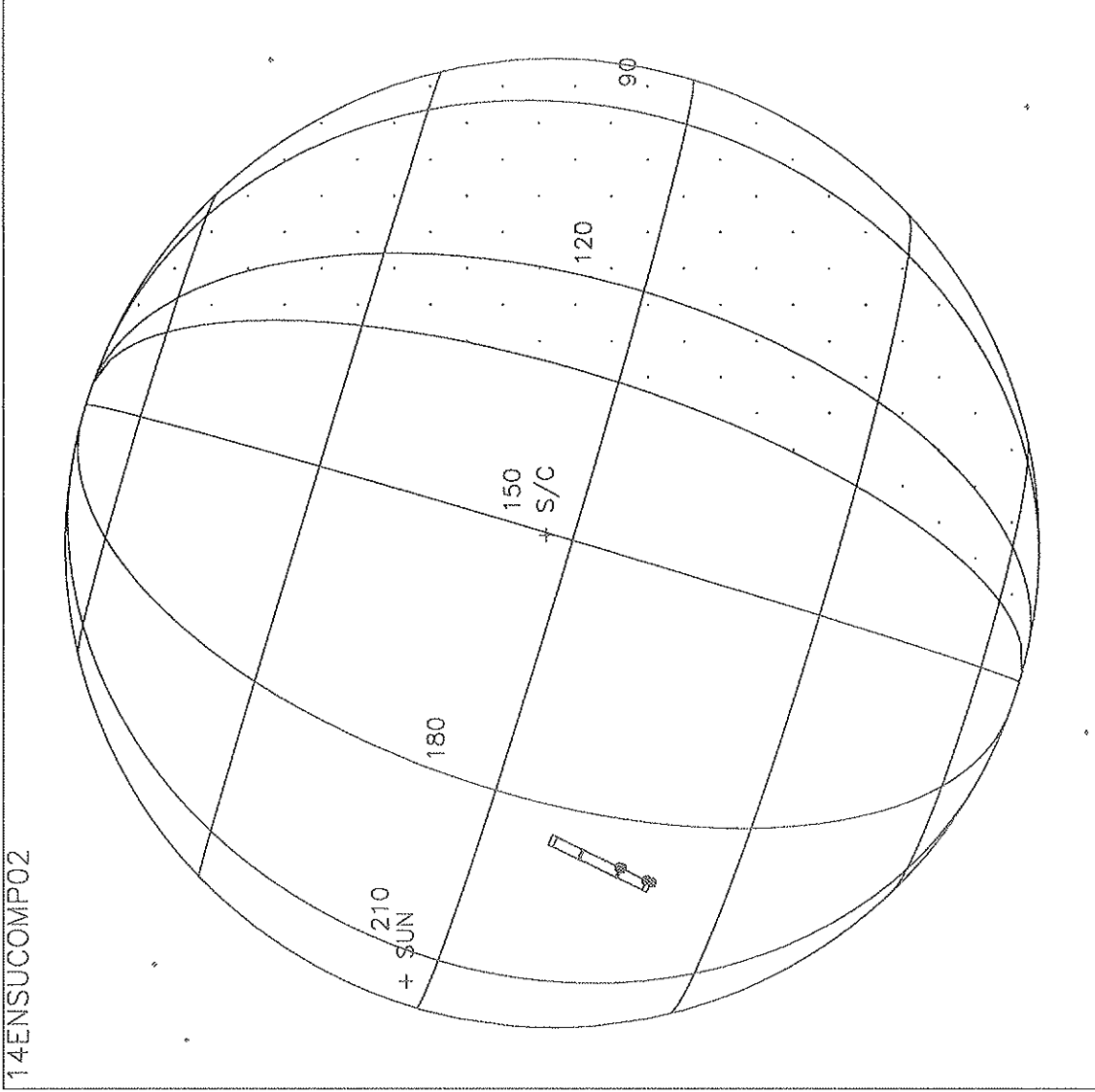
Target Body : EUROPA  
Target Ra/Dec : 15.82/ -0.53 Deg  
S/C to Body Center : 4688.131 Km ( 2.9956109 Re )  
Z-axis Pointing ( Ra / Dec ) : 163.94 / 7.86 Deg



<b>Activity ID:</b> Orbit 14	<b>OAPEL EUSUCOMP</b>		<b>SeqNo</b> 02+
<b>Title</b>	UVS r/a Europa Surface Composition		<b>Instrument</b> UVS
<b>Requestor</b>	UVS-SWG/W. SWEET X30523	<b>Team</b> UVS	<b>Working Group</b> SWG
<b>Time System</b> CDS	<b>Load ID</b> 14A	<b>Calendar Date</b> 03/29/98	<b>Week</b> 13
<b>Start</b>	EEE+CDS 00000048:00:0	98-088/14:09:24.400	EEE+000/00:48:32.000
<b>End</b>	EEE+CDS 00000060:00:0	98-088/14:21:32.400	EEE+000/01:00:40.000
<b>Duration</b>	00000012:00:0	000/00:12:08.000	000/00:12:08.000
<b>Top Label</b>	14EUSUCOMP02+		
<b>Bottom Label</b>	NIMS ride-along		
<b>Plot Key</b>	UVS	<b>Type</b>	SCI
<b>CDS Bytes</b>	38	<b>Report Options</b>	BOTH
<b>CDS Source</b>	OAP	<b>Spin State</b>	DUAL
		<b>Scan Platform</b>	Yes
		<b>DMS</b>	Yes
<b>Observation Objective</b>			
<div style="border: 1px solid black; padding: 5px;"> <p>14EUSUCOMP02: Ride-along with the NIMS 14EUSUCOMP02 observation to observe Europa in the 1600Å to 3200Å wavelength regions at phase angles not obtainable from the Earth. Data will supplement and complement the NIMS surface property measurements. UVS configuration: full F/F scans.</p> <p>waiver G-15: Rj = 9.6</p> <p>MBTG = 0.226 MBTG with 3:1 Rice compression 10.879 RIMS, PBK 5 RIMS</p> </div>			
<b>Design Detail</b>			
CDS RIM	COMMAND	PARAMETERS	PSID
0	000	COMMENT UVS RIM 0	(384CF)
38	000	CMDRS	(157CF)
	001	1 34UVS,07,S,N,N,N,S,0, ON,OFF,OFF, ON,OFF,NOOVR,1,00,9C,00,00	
	012	12 34UVS,C1,F,N,N,N,S,0,OFF,OFF, ON,OFF,OFF,NOOVR,1,2C,05,00,00	
0		TARGET RA/Dec=48.42/16.55	(165DE)

Mon Mar 2 23:33:12 1998

14ENSUCOMP02



Start UTC\_TIME : 1998-088 // 14:10:19.861

No End Time :

Start SCLK : 1/04409539:00:0:0

Target Body : EUROPA

Target Ra/Dec : 45.05 / 17.04 Deg

S/C to Body Center : 18398.37 Km ( 11.756147 Re )

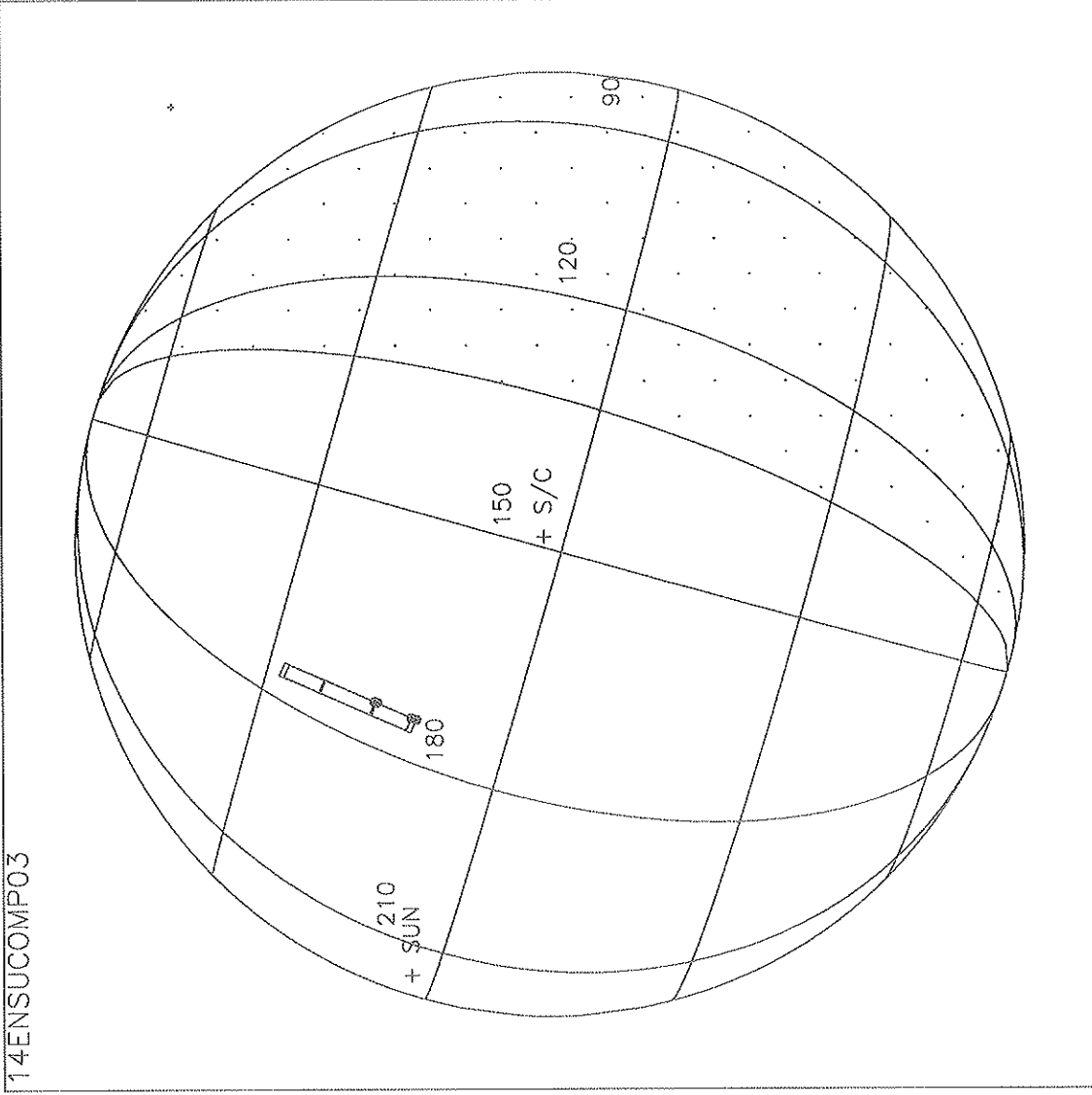
Z-axis Pointing ( Ra / Dec ) : 163.94 / 7.86 Deg

<b>Activity ID:</b> Orbit 14		OAPEL EUSUCOMP		<b>SeqNo</b> 03+	
<b>Title</b>		UVS r/a Europa Surface Composition		<b>Instrument</b> UVS	
<b>Requestor</b>		UVS-SWG/W. SWEET X30523		<b>Team</b> UVS	
				<b>Working Group</b> SWG	
<b>Time System</b> CDS		<b>Load ID</b> 14A		<b>Calendar Date</b> 03/29/98	
				<b>Week</b> 13	
<b>Start</b>		EEE+CDS 00000063:00:0		98-088/14:24:34.400	
				EEE+000/01:03:42.000	
<b>End</b>		EEE+CDS 00000086:00:0		98-088/14:47:49.733	
				EEE+000/01:26:57.333	
<b>Duration</b>		00000023:00:0		000/00:23:15.333	
				000/00:23:15.333	
<b>Top Label</b>		14ENSUCOMP03+			
<b>Bottom Label</b>		NIMS ride-along			
<b>Plot Key</b>		UVS		<b>Type</b> SCI	
<b>CDS Bytes</b>		38		<b>Report Options</b> BOTH	
				<b>Scan Platform</b> Yes	
<b>CDS Source</b>		OAP		<b>Spin State</b> DUAL	
				<b>DMS</b> Yes	
<b>Observation Objective</b>					
<div style="border: 1px solid black; padding: 5px;"> <p>14EUSUCOMP03: Ride-along with the NIMS 14EUSUCOMP03 observation to observe Europa in the 1600Å to 3200Å wavelength regions at phase angles not obtainable from the Earth. Data will supplement and complement the NIMS surface property measurements. UVS configuration: full F/F scans.</p> <p>waiver G-15: Rj = 9.8</p> <p>MBTG = 0.392 MBTG with 3:1 Rice compression 18.835 RIMS, PBK 13 RIMS</p> </div>					
<b>Design Detail</b>					
CDS	RIM	COMMAND	PARAMETERS	PSID	
0	000	COMMENT	UVS RIM 0	(384CG)	
38	003	CMDRS		(157CG)	
	004	1	34UVS,07,S,N,N,N,S,0, ON,OFF,OFF, ON,OFF,NOOVR,1,00,9C,00,00		
	023	20	34UVS,C1,F,N,N,N,S,0,OFF,OFF, ON,OFF,OFF,NOOVR,1,2C,05,00,00		
0		TARGET	RA/Dec=48.84/19.88	(165DF)	

Mon Mar 2 23:34:32 1998

Obs  
1

14ENSUCOMP03

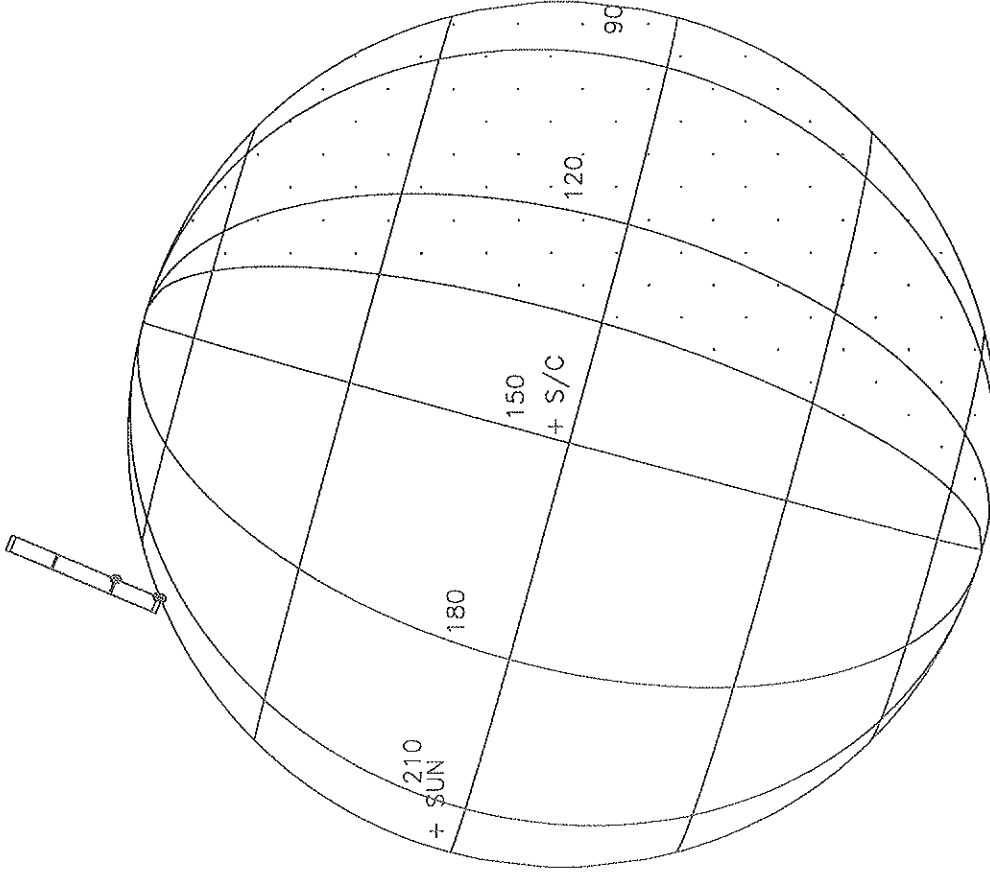


Start UTC\_TIME : 1998-088 // 14:28:31.660  
No End Time :  
Start SCLK : 1/04409557:00:0:0  
Target Body : EUROPA  
Target Ra/Dec : 47.62/ 18.35 Deg  
S/C to Body Center : 25278.87 Km ( 16.152631 Re )  
Z-axis Pointing ( Ra / Dec ) : 163.94 / 7.86 Deg

Mon Mar 2 23:36:14 1998

Obs  
2

14ENSUCOMP03

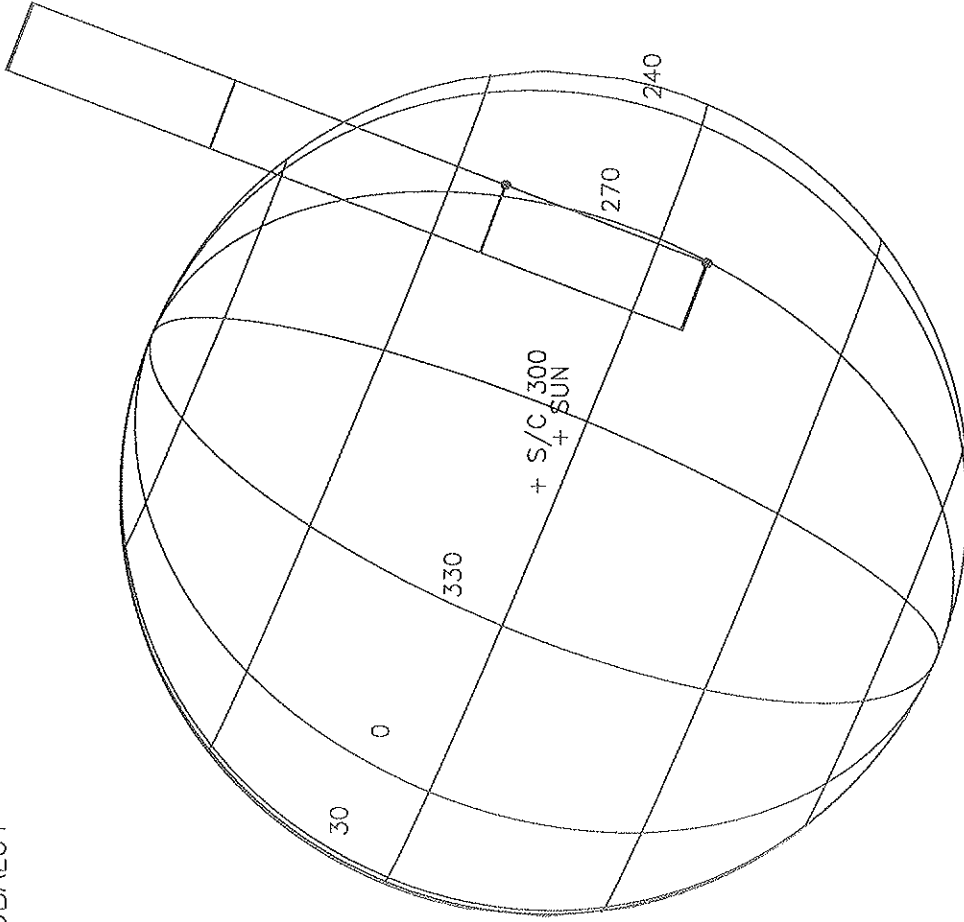


Start UTC\_TIME : 1998-088 // 14:44:42.326  
No End Time :  
Start SCLK : 1/04409573:00:0:0  
Target Body : EUROPA  
Target Ra/Dec : 48.94 / 19.01 Deg  
S/C to Body Center : 31429.86 Km ( 20.082978 Re )  
Z-axis Pointing ( Ra / Dec ) : 163.94 / 7.86 Deg

<b>Activity ID:</b>	Orbit 14	OAPEL CUGLOBAL	<b>SeqNo</b>	01+
<b>Title</b>	UVS r/a Callisto Global Observation		<b>Instrument</b>	UVS
<b>Requestor</b>	UVS-SWG/W. SWEET X30523	<b>Team</b>	UVS	<b>Working Group</b> SWG
<b>Time System</b>	CDS	<b>Load ID</b>	14A	<b>Calendar Date</b> 03/31/98 <b>Week</b> 13
<b>Start</b>	CEE-CDS 00000201:00:0		98-090/01:06:27.000	CEE-000/03:23:14.000
<b>End</b>	CEE-CDS 00000170:00:0		98-090/01:37:47.667	CEE-000/02:51:53.333
<b>Duration</b>	00000031:00:0		000/00:31:20.667	000/00:31:20.667
<b>Top Label</b>	14CUGLOBAL01+			
<b>Bottom Label</b>	NIMS ride-along			
<b>Plot Key</b>	UVS	<b>Type</b>	SCI	
<b>CDS Bytes</b>	38	<b>Report Options</b>	BOTH	<b>Scan Platform</b> Yes
<b>CDS Source</b>	OAP	<b>Spin State</b>	DUAL	<b>DMS</b> Yes
<b>Observation Objective</b>				
<div style="border: 1px solid black; padding: 5px;"> <p>14CUGLOBAL01: Ride-along with the NIMS 14CUGLOBAL01 observation to observe Callisto in the 1600Å to 3200Å wavelength regions at phase angles not obtainable from the Earth. Data will supplement and complement the NIMS surface property measurements. UVS configuration: full F/F scans.</p> <p>Rj = 24</p> <p>MBTG = 0.617 MBTG with 3:1 Rice compression 29.670 RIMS, PBK 25 RIMS</p> </div>				
<b>Design Detail</b>				
CDS	RIM	COMMAND	PARAMETERS	PSID
0	000	COMMENT	UVS RIM 0	(384CH)
38	000	CMDRS		(157CH)
	001	1	34UVS,07,S,N,N,N,S,0, ON,OFF,OFF, ON,OFF,NOOVR,1,00,9C,00,00	
	031	31	34UVS,C1,F,N,N,N,S,0,OFF,OFF, ON,OFF,OFF,NOOVR,1,2C,05,00,00	
0		TARGET	RA/Dec=332.07/-12.88	(165DH)

Mon Mar 2 23:40:17 1998

14CNGLOBAL01



Start UTC\_TIME : 1998-090 // 01:07:22.252

No End Time :

Start SCLK : 1/04411613:00:0:0

Target Body : CALLISTO

Target Ra/Dec : 332.54 / -13.13 Deg

S/C to Body Center : 234821.7 Km ( 97.720236 Rc )

Z-axis Pointing ( Ra / Dec ) : 163.94 / 7.86 Deg