

Week Date	Start Time	End Time	Duration	Activity	Team	Group	Actid	Plotkey	CDS
22	05/30/98	98-150/21:59:37.134	98-150/23:34:39.800	1:35:02.666	Europa Atmosphere Observation	SWG	15EUATMOS_01-	UVS	148
22	05/31/98	98-151/01:05:39.800	98-151/02:40:42.467	1:35:02.667	Europa Atmosphere Observation	SWG	15EUATMOS_02-	UVS	312
22	05/31/98	98-151/06:39:19.800	98-151/08:44:42.467	2:05:22.667	Io Atmosphere	SWG	15IUATMOS_01-	UVS	394
22	05/31/98	98-151/08:44:42.467	98-151/09:45:22.467	1:00:40.000	Europa Surface Observation	SWG	15EUSURFAC01-	UVS	148
22	05/31/98	98-151/12:14:00.467	98-151/13:14:40.467	1:00:40.000	Io Surface Observation	SWG	15IUSURFAC01-	UVS	148
22	05/31/98	98-151/14:14:19.800	98-151/15:14:59.800	1:00:40.000	Europa Surface Observation	SWG	15EUSURFAC02-	UVS	148
22	05/31/98	98-151/18:50:21.800	98-151/19:15:38.467	25:16.667	Io hi-res Surface Observation	SWG	15IUHRSRPEC01+	UVS	38
22	05/31/98	98-151/21:46:17.800	98-151/22:11:34.466	25:16.666	r/a Europa Surface Composition	SWG	15EUSUCOMP02+	UVS	38
22	05/31/98	98-151/22:22:41.800	98-151/22:32:48.466	10:06.666	r/a Europa Surface Composition	SWG	15EUSUCOMP03+	UVS	38
22	05/31/98	98-151/23:09:12.467	98-151/23:32:27.800	23:15.333	Io hi-res Surface Observation	SWG	15IUHRSRPEC02+	UVS	38
22	06/01/98	98-152/02:16:15.800	98-152/02:50:38.466	34:22.666	r/a Europa Global	SWG	15EUGLOBAL01+	UVS	38
22	06/01/98	98-152/13:16:31.133	98-152/13:31:41.133	15:10.000	Europa Surface Observation	SWG	15EUEUR16H01+	UVS	38
22	06/01/98	98-152/17:46:29.133	98-152/18:02:39.800	16:10.667	Europa Surface Observation	SWG	15EUEUR20H01+	UVS	38
22	06/01/98	98-152/19:01:18.466	98-152/19:17:29.133	16:10.667	Europa Surface Observation	SWG	15EUEUR22H01+	UVS	38
22	06/01/98	98-152/19:49:50.466	98-152/20:54:33.133	1:04:42.667	Darkside Lyman-alpha	AWG	15UDARKSIDE-	UVS	230
22	06/02/98	98-153/04:13:22.466	98-154/02:53:19.133	22:39:56.667	UVS/EUV IO TORUS MDNT ANSA, E15	MWG	15TW15MANS01-	UVS	2012
22	06/02/98	98-153/18:34:50.466	98-153/21:42:54.466	3:08:04.000	UVS/EUV IO TORUS MDNT ANSA, E15	MWG	15TW15MANS01-	UVS	95

*** TOTAL CDS BYTES *** 3939

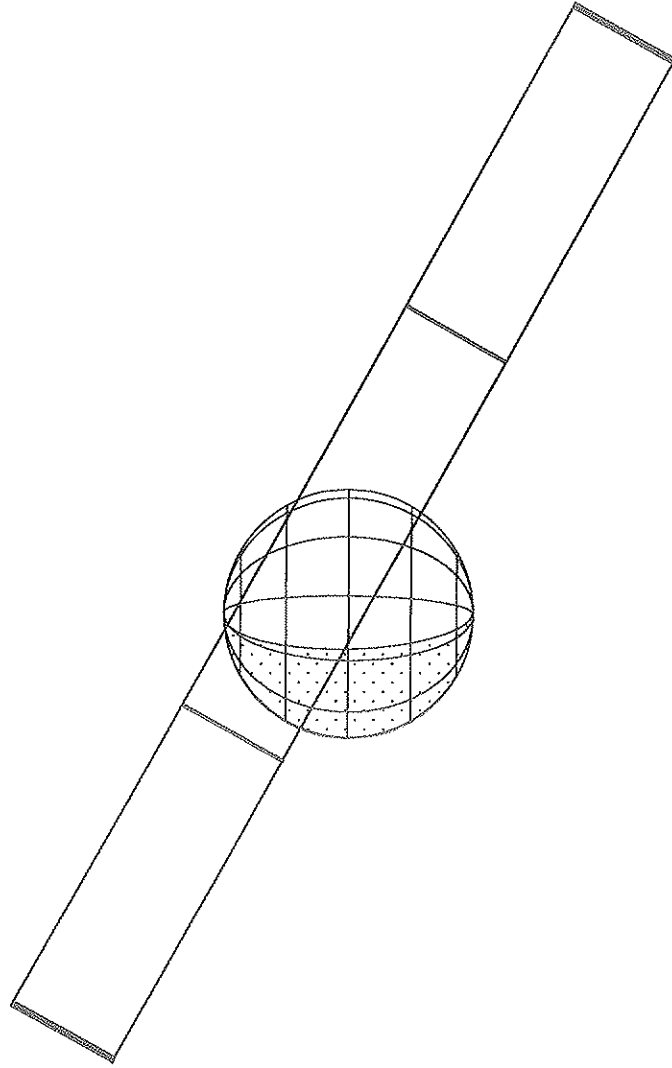
*F. Karel reports that NIMS saw
 an io. electron during the observation
 there may/might be a beam or source
 of the ionization. It's not clear if the
 45% of the ionization.*

*at 0450037.90
 SCOT = 1998-150/06 57 37:33*

Activity ID: Orbit 15		OAPEL EUATMOS_		SeqNo 01-	
Title		Europa Atmosphere Observation		Instrument UVS	
Requestor		UVS-SWG/W. SWEET X30523		Team UVS	
				Working Group SWG	
Time System CDS		Load ID 15A		Calendar Date 05/30/98	
				Week 22	
Start		JEE-CDS 00001696:00:0		98-150/21:59:37.134	
				JEE-001/04:34:50.666	
End		JEE-CDS 00001602:00:0		98-150/23:34:39.800	
				JEE-001/02:59:48.000	
Duration		00000094:00:0		000/01:35:02.666	
				000/01:35:02.666	
Top Label		15EUATMOS_01-			
Bottom Label		real-time			
Plot Key		UVS		Type SCI	
CDS Bytes		148		Report Options BOTH	
				Scan Platform Yes	
CDS Source		OAP		Spin State DUAL	
				DMS No	
Observation Objective					
<div style="border: 1px solid black; padding: 5px;"> <p>15EUATMOS_01: Europa atmosphere observation. We will look for Europa atmospheric emissions (oxygen, hydrogen, sulfur, as well as other possible species). We will also monitor the tenuous atmosphere for possible outgassing episodes. Observe Europa's surface for ~1 1/2 hours. Sunlight, longitude 94-104, phase 73.</p> <p>Rj = 18.9</p> <p>UVS configuration: full G/G scans</p> <p>17712 bits/flush * 1 flushes = 0.018 mbtg</p> </div>					
Design Detail					
CDS	RIM	COMMAND	PARAMETERS	PSID	
---	---	---	---	---	
0	000	COMMENT	UVS RIM 0	(384CA)	
28	003+UVFLUSH	DISCRD,	UVS	(349CA)	
38	003	CMDRS		(157CA)	
	004	1	34UVS,D1,F,N,N,N,S,0,OFF,OFF,	ON, ON,OFF,NOOVR,1,94,45,00,00	
	094	91	34UVS,C1,F,N,N,N,S,0,OFF,OFF,	ON,OFF,OFF,NOOVR,1,2C,05,00,00	
54	004	TARGET	TMC on body (RA/Dec=268.81/-25.10)	(165CA)	
28	093+UVFLUSH	PACKET,	UVS	(349CB)	

Mon May 4 22:31:38 1998

15EUATMOS_01



Start UTC_TIME : 1998-150 // 22:03:34.448

No End Time :

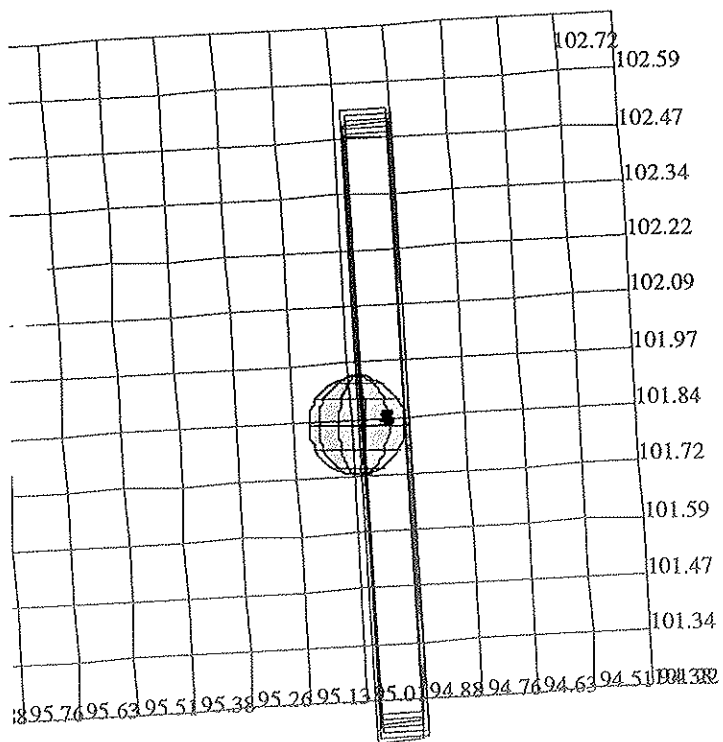
Start SCLK : 1/04498306:00:0:0

Target Body : EUROPA

Target Ra/Dec : 268.89 / -25.10 Deg

S/C to Body Center : 825185.2 Km (527.27487 Re)

Z-axis Pointing (Ra / Dec) : 175.44 / 4.46 Deg



165CA:TT= 0 TMC= 2 C= -0.90 XC= 0.00 BS= 0/0647 TC= 3
 A= 728 pD= 16370 SR=17.450 RA50=268.81 DEC50=-25.10 cone= 94.94 clock=101.83

ESIGN G3.2 kent : 4/22/1998 10:34: 5

FILE:P.15EUATMOS_01

TARGET BODY : EUROPA

FILE:m.15EUATMOS_01

FILE:/C EPH:/DATA/NAVIO/T-980330-tour.NS

ERIAPSIS:

THINNING: :UVS 60

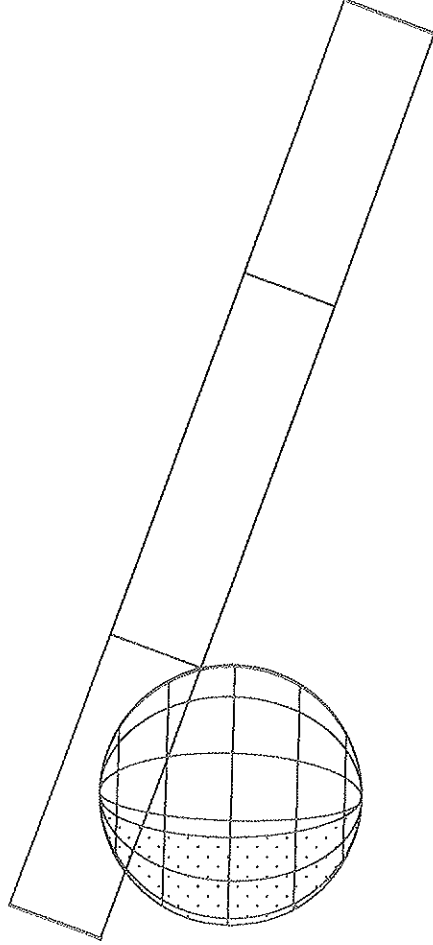
TART:JEE 98-152/02:34:27.800 -CDS 1692:00:0

BODY PLOT TIME:TARGET-TIME D=16370 S= 0.130

Activity ID: Orbit 15		OAPEL EUATMOS_		SeqNo 02-	
Title	Europa Atmosphere Observation			Instrument	UVS
Requestor	UVS-SWG/W. SWEET X30523	Team	UVS	Working Group	SWG
Time System	CDS	Load ID	15A	Calendar Date	05/31/98
				Week	22
Start	JEE-CDS 00001512:00:0		98-151/01:05:39.800		JEE-001/01:28:48.000
End	JEE-CDS 00001418:00:0		98-151/02:40:42.467		JEE-000/23:53:45.333
Duration	00000094:00:0		000/01:35:02.667		000/01:35:02.667
Top Label	15EUATMOS_02-				
Bottom Label	real-time				
Plot Key	UVS	Type	SCI		
CDS Bytes	312	Report Options	BOTH	Scan Platform	Yes
CDS Source	OAP	Spin State	DUAL	DMS	No
Observation Objective					
<div style="border: 1px solid black; padding: 5px;"> <p>15EUATMOS_02: Europa atmosphere observation. We will look for Europa atmospheric emissions (oxygen, hydrogen, sulfur, as well as other possible species). We will also monitor the tenuous atmosphere for possible outgassing episodes. Observe Europa's surface for ~1 1/2 hours. Sunlight, longitude 140, phase 70.</p> <p>Rj = 17.5</p> <p>+1 Europa radii (left-hand side), for 30 rims on Europa for 30 rims -1 Europa radii for 30 rims</p> <p>UVS configuration: G-G 88-step Ly-a mini-scan</p> <p>17712 bits/flush * 3 flushes = 0.053 mbtg</p> </div>					
Design Detail					
CDS	RIM	COMMAND	PARAMETERS	PSID	
0	000	COMMENT	UVS RIM 0	(384CB)	
28	003+UVFLUSH	DISCRD,UVS		(349CC)	
38	003	CMDRS		(157CB)	
	004	1	DF, FIXED, NORM, NORM, NORM, SAME, 0, OFF, OFF, ON, ON, OFF, NOOVR, 1, 2C, 7D, 00, 2C		
	093	90	C1, FIXED, NORM, NORM, NORM, SAME, 0, OFF, OFF, ON, OFF, OFF, NOOVR, 1, 2C, 05, 00, 00		
54	004	TARGET	TMC +1 radii (RA/Dec=271.18/-25.07)	(165CB)	
28	032+UVFLUSH	PACKET,UVS		(349CD)	
54	034	TARGET	TMC on body (RA/Dec=271.89/-25.07)	(165CG)	
28	062+UVFLUSH	PACKET,UVS		(349CE)	
54	064	TARGET	TMC -1 radii (RA/Dec=272.58/-25.07)	(165CH)	
28	092+UVFLUSH	PACKET,UVS		(349CF)	

Mon May 4 22:33:24 1998

15EUATMOS_02



0651

Start UTC.TIME : 1998-151 // 01:09:37.108

No End Time :

Start SCLK : 1/04498490:00:0:0

Target Body : EUROPA

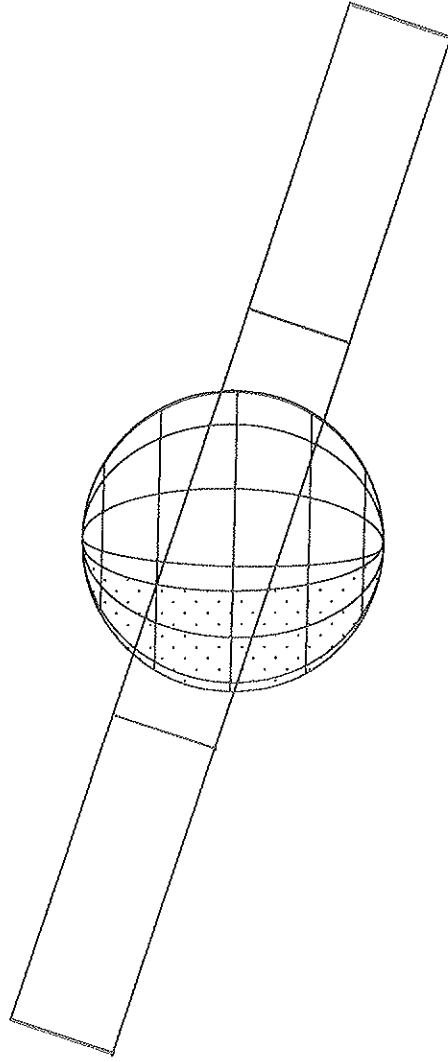
Target Ra/Dec : 271.55 / -25.07 Deg

S/C to Body Center : 661105.1 Km (422.43137 Re)

Z-axis Pointing (Ra / Dec) : 175.44 / 4.46 Deg

Mon May 4 22:34:39 1998

15EUATMOS_02



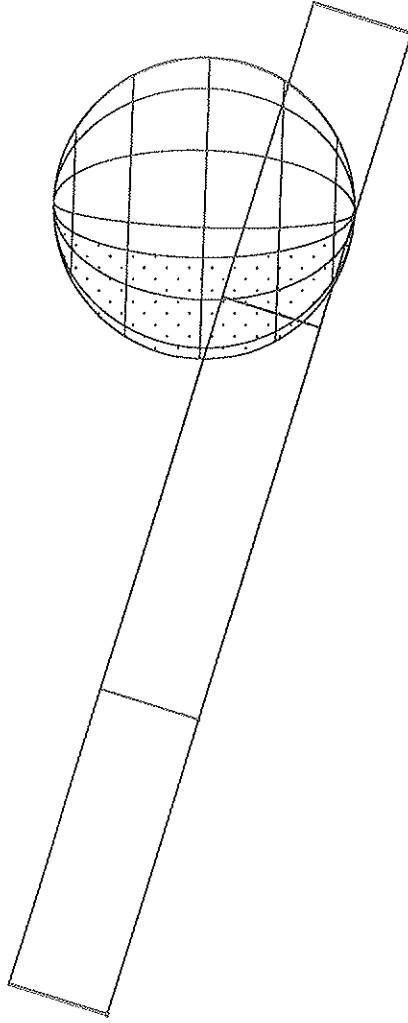
obs 7

Start UTC_TIME : 1998-151 // 01:38:56.440
No End Time :
Start SCLK : 1/04498519:00:0:0

Target Body : EUROPA
Target Ra/Dec : 271.90/-25.07 Deg
S/C to Body Center : 636791.5 Km (406.89550 Re)
Z-axis Pointing (Ra / Dec) : 175.44 / 4.46 Deg

Mon May 4 22:36:11 1998

15EUATMOS_02



GBS
3

Start UTC_TIME : 1998-151 // 02:10:17.106

No End Time :

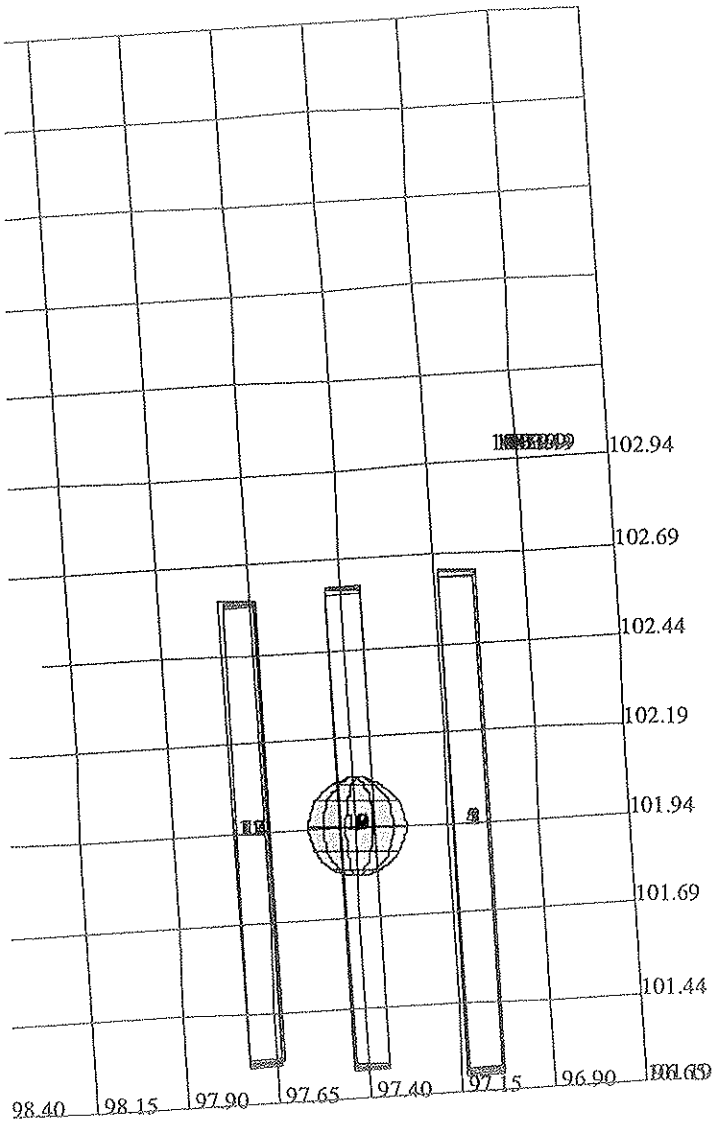
Start SCLK : 1/04498550:00:0:0

Target Body : EUROPA

Target Ra/Dec : 272.26 / -25.06 Deg

S/C to Body Center : 611289.8 Km (390.60051 Re)

Z-axis Pointing (Ra / Dec) : 175.44 / 4.46 Deg



165CB:TT= 0 TMC= 1 C= -5.50 XC= 0.00 BS= 0/4135 TC= 3
 A= 728 pD= 5268 SR=17.450 RA50=271.18 DEC50=-25.06 cone= 97.00 clock=101.94
 165CG:TT= 0 TMC= 1 C= 0.00 XC= 0.00 BS= 0/3595 TC= 3
 A= 182 pD= 5268 SR=17.450 RA50=271.89 DEC50=-25.07 cone= 97.72 clock=101.96
 165CH:TT= 0 TMC= 1 C= 5.50 XC= 0.00 BS= 0/5055 TC= 3
 A= 182 pD= 5268 SR=17.450 RA50=272.58 DEC50=-25.07 cone= 98.35 clock=101.97

ESIGN G3.2 kent : 4/22/1998 10:34:28

FILE:P.15EUATMOS_02

TARGET BODY : EUROPA

FILE:m.15EUATMOS_02

FILE:EPH:/DATA/NAVIO/T-980330-tour.NS

ERIAPSIS:

THINNING: :UVS 30

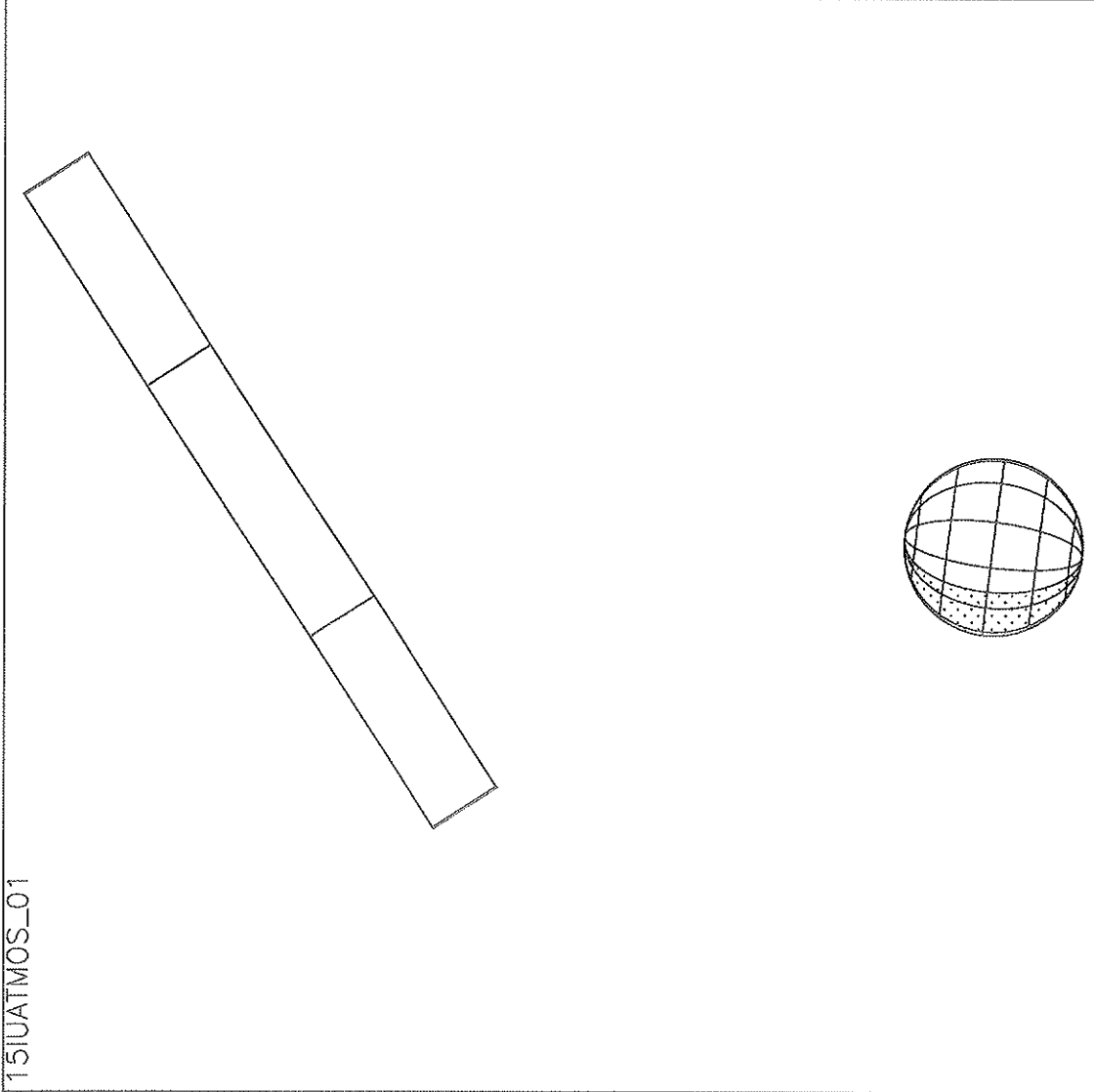
TARGET TIME:JEE 98-152/02:34:27.800 -CDS 1508:00:0

BODY PLOT TIME:TARGET-TIME D= 5268 S= 0.130

Activity ID: Orbit 15	OAPEL IUATMOS_	SeqNo 01-	
Title Io Atmosphere		Instrument UVS	
Requestor UVS-SWG/W. SWEET X30523	Team UVS	Working Group SWG	
Time System CDS	Load ID 15A	Calendar Date 05/31/98 Week 22	
Start JEE-CDS 00001182:00:0	98-151/06:39:19.800	JEE-000/19:55:08.000	
End JEE-CDS 00001058:00:0	98-151/08:44:42.467	JEE-000/17:49:45.333	
Duration 00000124:00:0	000/02:05:22.667	000/02:05:22.667	
Top Label 15IUATMOS_01-			
Bottom Label real-time			
Plot Key UVS	Type SCI		
CDS Bytes 394	Report Options BOTH	Scan Platform Yes	
CDS Source OAP	Spin State DUAL	DMS No	
Observation Objective			
<p>15IUATMOS_01: Observations of Io atmosphere. We investigate Io atmospheric emissions (oxygen, hydrogen, sulfur, as well as other possible species). We will also monitor the tenuous atmosphere for variations due to volcanic activity and SO2 frost sublimation. Observe Io for 2 hours. Sunlight, longitude 107, phase 56.</p> <p>Rj = 15</p> <p>UVS configuration: G-G 88-step Ly-a mini-scan</p> <p>17712 bits/flush * 4 flushes = 0.071 mbtg</p>			
Design Detail			
CDS	RIM	COMMAND PARAMETERS	PSID
0	000	COMMENT UVS RIM 0	(384CC)
28	003+UVFLUSH	DISCRD,UVS	(349CG)
38	003	CMDRS	(157CC)
	004	1 34UVS,D1,F,N,N,N,S,0,OFF,OFF, ON, ON,OFF,NOOVR,1,94,45,00,00%	
	124	121 34UVS,C1,F,N,N,N,S,0,OFF,OFF, ON,OFF,OFF,NOOVR,1,2C,05,00,00	
54	004	TARGET TMC above body (RA/Dec=284.54/-23.13)	(165CC)
28	032+UVFLUSH	PACKET,UVS	(349CH)
54	034	TARGET TMC +1 radii (RA/Dec=285.46/-23.97)	(165CI)
28	062+UVFLUSH	PACKET,UVS	(349CI)
54	064	TARGET TMC on body (RA/Dec=286.88/-23.79)	(165CJ)
28	092+UVFLUSH	PACKET,UVS	(349CJ)
54	094	TARGET TMC -1 radii (RA/Dec=288.29/-23.61)	(165CK)
28	122+UVFLUSH	PACKET,UVS	(349CK)

Mon May 4 22:39:11 1998

15IUATMOS_01

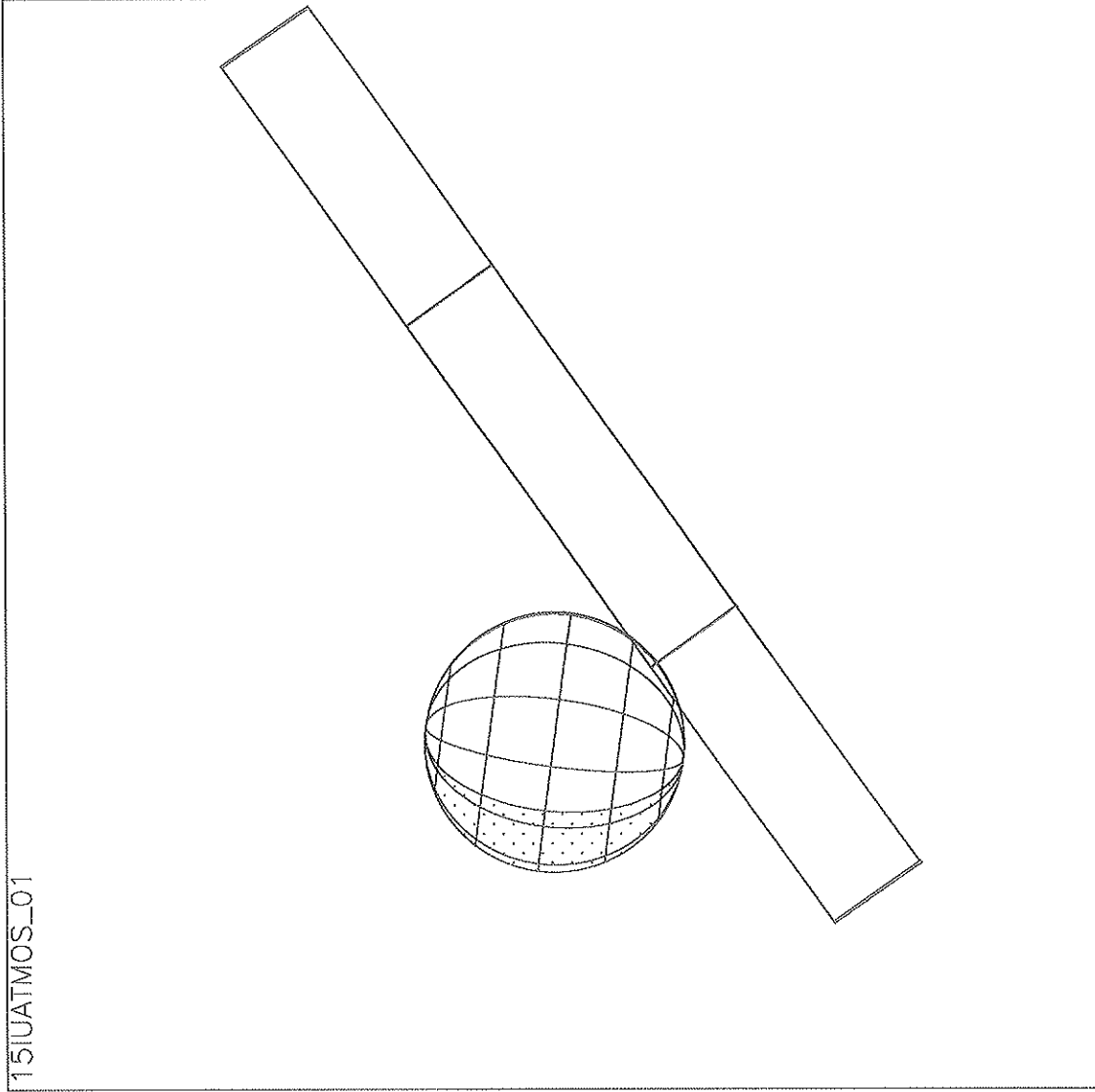


obs 1

Start UTC_TIME : 1998-151 // 06:43:17.096
No End Time :
Start SCLK : 1/04498820:00:0:0
Target Body : IO
Target Ra/Dec : 284.62 / -24.10 Deg
S/C to Body Center : 877855.2 Km (481.18794 RI)
Z-axis Pointing (Ra / Dec) : 175.44 / 4.46 Deg

Mon May 4 22:40:30 1998

15IUATMOS_01



obs 2

Start UTC_TIME : 1998-151 // 07:12:36.428

No End Time :

Start SCLK : 1/04498849:00:0:0

Target Body : IO

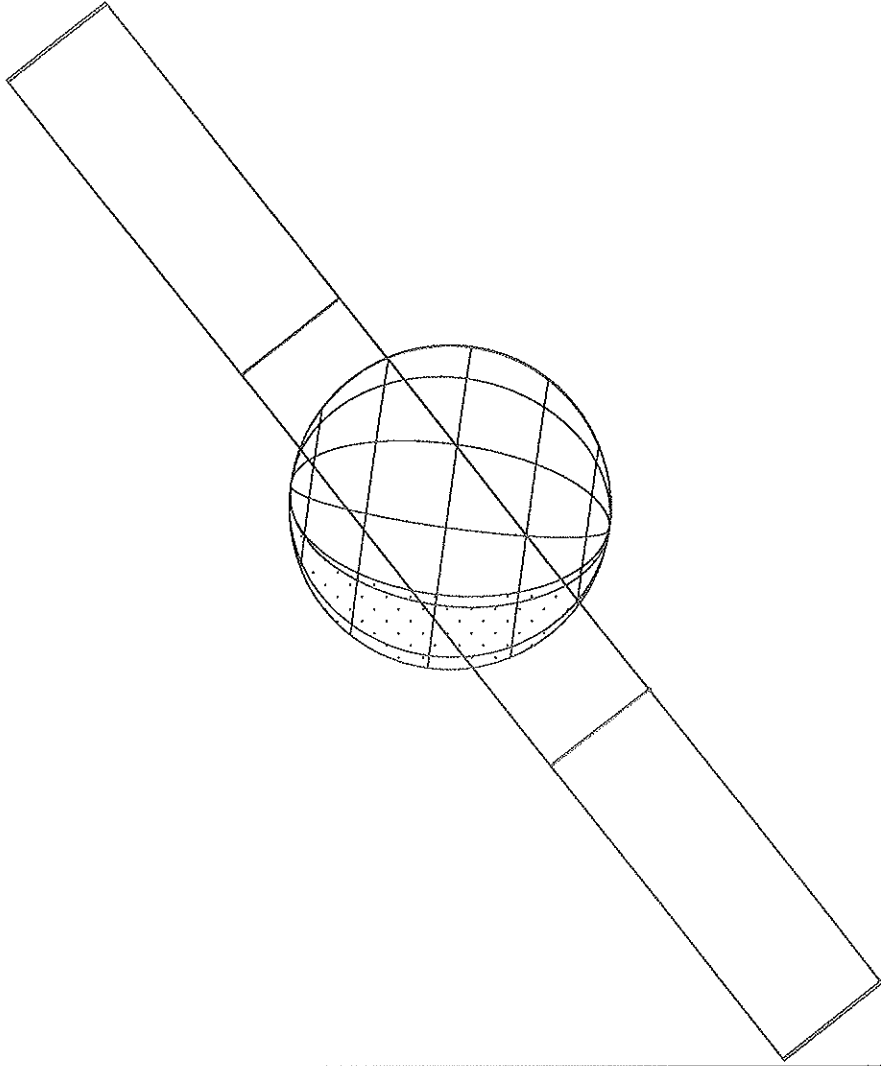
Target Ra/Dec : 285.75/-23.95 Deg

S/C to Body Center : 842054.5 Km (461.58413 Ri)

Z-axis Pointing (Ra / Dec) : 175.44 / 4.46 Deg

Mon May 4 22:42:00 1998

15IUATMOS_01

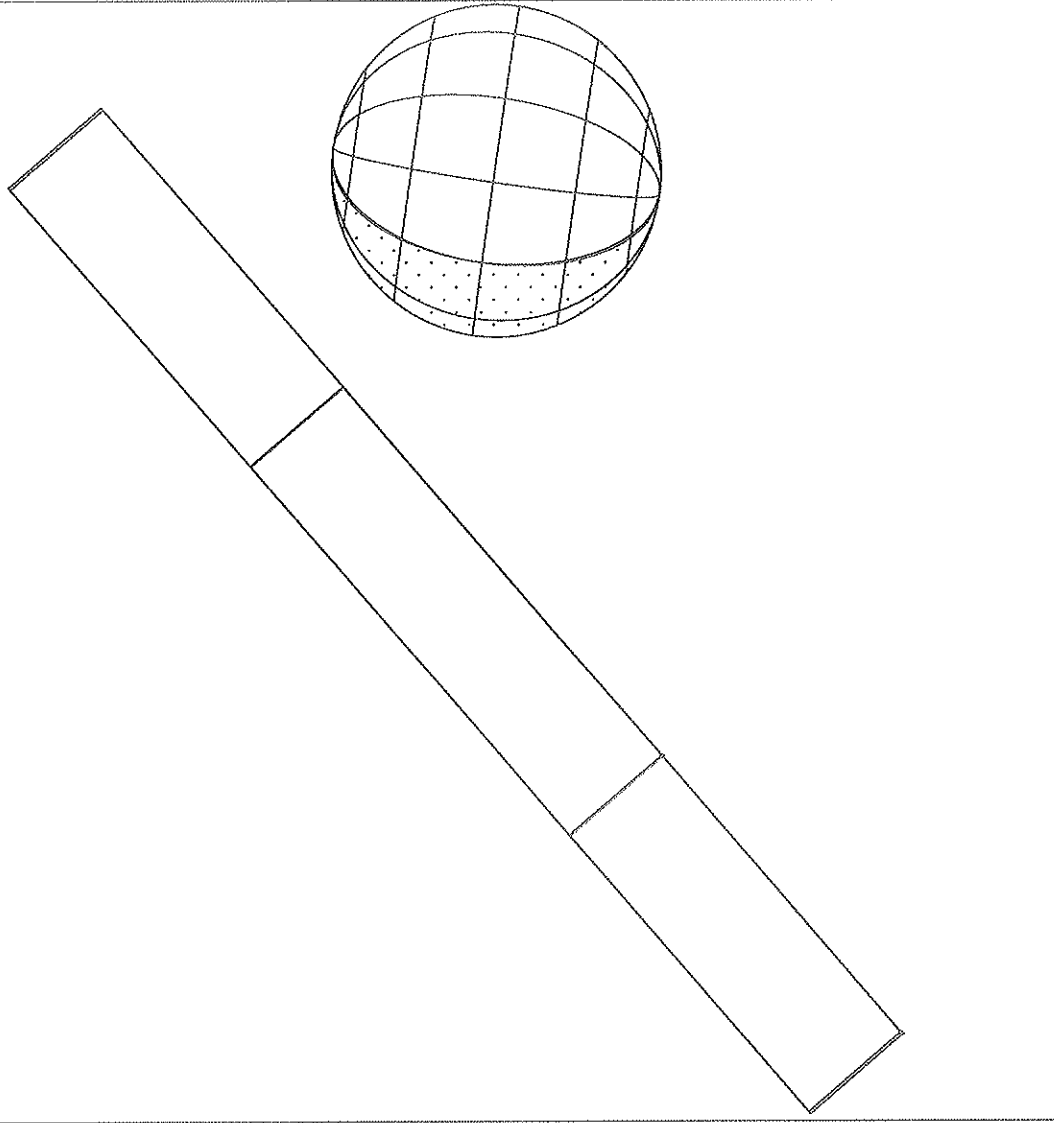


Obs 3

Start UTC_TIME : 1998-151 // 07:42:56.427
No End Time :
Start SCLK : 1/04498879:00:0:0
Target Body : IO
Target Ra/Dec : 286.85 / -23.80 Deg
S/C to Body Center : 805697.0 Km (441.63512 Ri)
Z-axis Pointing (Ra / Dec) : 175.44 / 4.46 Deg

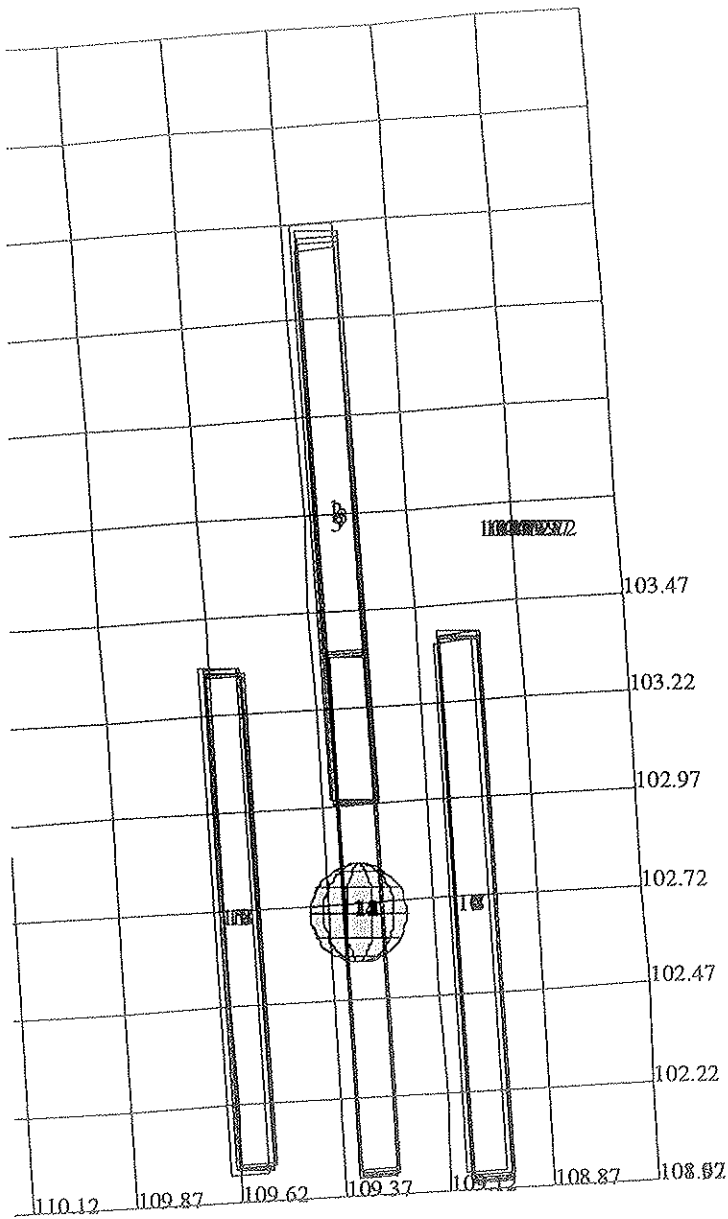
Mon May 4 22:43:28 1998

15IUATMOS_01



Obs A

Start UTC_TIME : 1998-151 // 08:13:16.426
No End Time :
Start SCLK : 1/04498909:00:0:0
Target Body : IO
Target Ra/Dec : 287.90/-23.64 Deg
S/C to Body Center : 770104.4 Km (422.12537 Ri)
Z-axis Pointing (Ra / Dec) : 175.44 / 4.46 Deg



ESIGN G3.2 kent : 4/22/1998 10:34:51

FILE:P.15IUATMOS_01

TARGET BODY : IO

FILE:m.15IUATMOS_01

FILE:EPH:/DATA/NAVIO/T-980330-tour.NS

ERIAPSIS:

TARGET:JEE 98-152/02:34:27.800 -CDS 1178:00:0

165CC:TT= 0 TMC= 1 C= 0.00 XC= 17.00 BS= 0/4195 TC= 3
 A= 728 pD= 5268 SR=17.450 RA50=284.54 DEC50=-23.13 cone=109.30 clock=103.72
 165C:TT= 0 TMC= 1 C= -5.00 XC= 0.00 BS= 0/9655 TC= 3
 A= 182 pD= 5268 SR=17.450 RA50=285.46 DEC50=-23.97 cone=110.09 clock=102.77
 165CJ:TT= 0 TMC= 1 C= 0.00 XC= 0.00 BS= 0/5115 TC= 3
 A= 182 pD= 5268 SR=17.450 RA50=286.88 DEC50=-23.79 cone=111.39 clock=102.85
 165CK:TT= 0 TMC= 1 C= 6.00 XC= 0.00 BS= 0/0575 TC= 3
 A= 182 pD= 5268 SR=17.450 RA50=288.29 DEC50=-23.61 cone=112.70 clock=102.93

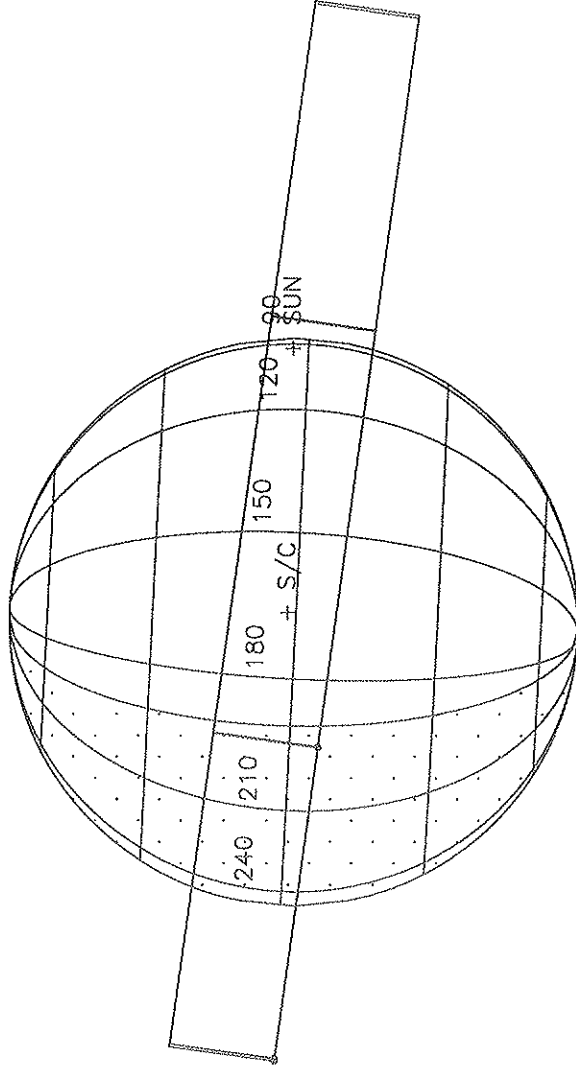
THINNING: :UVS 30

BODY PLOT TIME:TARGET-TIME D= 5268 S= 0.130

Activity ID: Orbit 15		OAPEL EUSURFAC		SeqNo 01-	
Title	Europa Surface Observation			Instrument	UVS
Requestor	UVS-SWG/W. SWEET X30523	Team	UVS	Working Group	SWG
Time System	CDS	Load ID	15A	Calendar Date	05/31/98 Week 22
Start	JEE-CDS 00001058:00:0		98-151/08:44:42.467		JEE-000/17:49:45.333
End	JEE-CDS 00000998:00:0		98-151/09:45:22.467		JEE-000/16:49:05.333
Duration	00000060:00:0		000/01:00:40.000		000/01:00:40.000
Top Label	15EUSURFAC01-				
Bottom Label	real-time				
Plot Key	UVS	Type	SCI		
CDS Bytes	148	Report Options	BOTH	Scan Platform	Yes
CDS Source	OAP	Spin State	DUAL	DMS	No
Observation Objective					
<p>15EUSURFAC01: We will observe Europa's surface at various longitudes and phase angles with TMC on to get good signal using F/F full scans. These observations will complement the nominal mission observations to derive phase curves for several locations on Europa, to understand how exogenic processes affect the surface scattering. We are interested in obtaining a high signal-to-noise at the shorter wavelengths (<2200 A) to see if Europa's surface has any distinctive features in the region. Observe Europa's surface for 1 hour. Sunlight, 160 longitude, 68 phase.</p> <p>Rj = 14</p> <p>1 flush UVS configuration: F/F full scans</p> <p>17712 bits/flush * 1 flush = 0.018 mbtg</p>					
Design Detail					
CDS	RIM	COMMAND	PARAMETERS	PSID	
0	000	COMMENT	UVS RIM 0	(384CD)	
28	003+UVFLUSH	DISCRD	UVS	(349CL)	
38	003	CMDRS		(157CD)	
	004	1	34UVS,07,S,N,N,N,S,0, ON,OFF,OFF, ON,OFF,NOOVR,1,00,9C,00,00		
	062	59	34UVS,C1,F,N,N,N,S,0,OFF,OFF, ON,OFF,OFF,NOOVR,1,2C,05,00,00		
54	004	TARGET	TMC on body {RA/Dec=274.40/-25.07}	(165CD)	
28	059+UVFLUSH	PACKET	UVS	(349CM)	

Mon May 4 22:45:19 1998

15EUSURFAC01



Start UTC_TIME : 1998-151 // 08:48:39.758

No End Time :

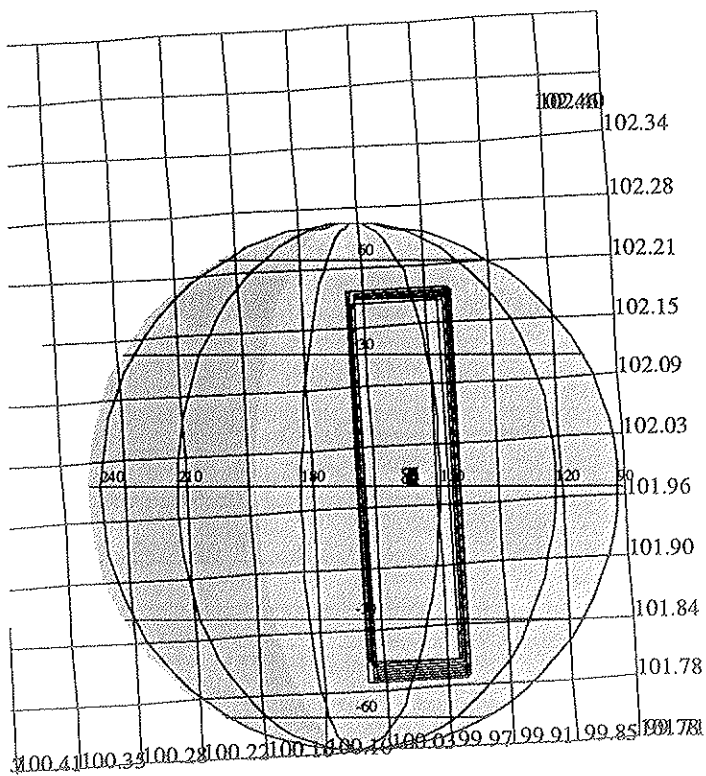
Start SCLK : 1/04498944:00:0:0

Target Body : EUROPA

Target Ra/Dec : 274.50/-25.07 Deg

S/C to Body Center : 333256.0 Km (212.94315 Re)

Z-axis Pointing (Ra / Dec) : 175.44 / 4.46 Deg



165CD:TT= 0 TMC= 1 C= -0.90 XC= 0.00 BS= 0/6763 TC= 3
 A= 728 pD= 10182 SR=17.450 RA50=274.40 DEC50=-25.07 cone=100.00 clock=101.99

ESIGN G3.2 kent : 4/22/1998 10:35:10

ILE:P.15EUSURFAC01

ARGET BODY : EUROPA

'm.15EUSURFAC01

/C EPH:/DATA/NAVIO/T-980330-tour.NS

ERIAPSIS:

THINNING: :UVS 60

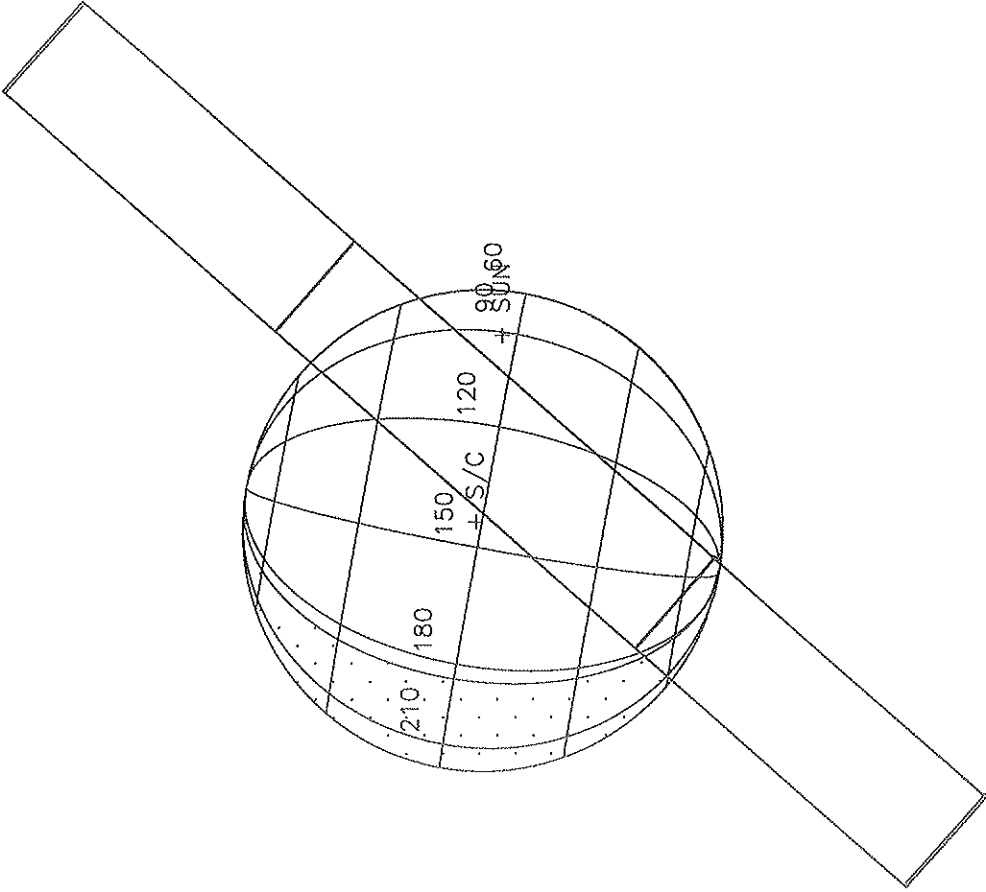
TART:JEE 98-152/02:34:27.800 -CDS 1054:00:0

BODY PLOT TIME:TARGET-TIME D=10182 S= 0.700

Activity ID: Orbit 15	OAPEL IUSURFAC	SeqNo 01-	
Title Io Surface Observation		Instrument UVS	
Requestor UVS-SWG/W. SWBET X30523	Team UVS	Working Group SWG	
Time System CDS	Load ID 15A	Calendar Date 05/31/98 Week 22	
Start JEE-CDS 00000851:00:0	98-151/12:14:00.467	JEE-000/14:20:27.333	
End JEE-CDS 00000791:00:0	98-151/13:14:40.467	JEE-000/13:19:47.333	
Duration 00000060:00:0	000/01:00:40.000	000/01:00:40.000	
Top Label 15IUSURFAC01-			
Bottom Label real-time			
Plot Key UVS	Type SCI		
CDS Bytes 148	Report Options BOTH	Scan Platform Yes	
CDS Source OAP	Spin State DUAL	DMS No	
Observation Objective			
<p>15IUSURFAC01: We will observe Io's surface at 130 deg. longitude and 51 phase angle with TMC on to get good signal using F/F full scans. We use this observation to complement our nominal mission observations of Io at various longitudes and phase angles to understand Io's ultraviolet phase curve and also to investigate the density of Io's atmosphere as it varies with location and time, dependent on location and activity of volcanoes, as well as on the amount of SO2 frost on the surface being sublimated. We are particularly interested in obtaining a high signal at the shorter wavelengths to identify the gaseous SO2 band near 2000 A. Sunlight, 130 longitude, 51 phase.</p> <p>Rj = 12.5 UVS configuration: F/F full scans</p> <p>17712 bits/flush * 1 flush = 0.018 mbtg</p>			
Design Detail			
CDS	RIM	COMMAND PARAMETERS	PSID
---	---	-----	----
0	000	COMMENT UVS RIM 0	(384CE)
28	003+UVFLUSH	DISCRD,UVS	(349CN)
38	003	CMDRS	(157CE)
	004	1 34UVS,07,S,N,N,N,S,0, ON,OFF,OFF, ON,OFF,NOOVR,1,00,9C,00,00	
	060	57 34UVS,C1,F,N,N,N,S,0,OFF,OFF, ON,OFF,OFF,NOOVR,1,2C,05,00,00	
54	004	TARGET TMC on body (RA/Dec=293.11/-22.66)	(165CE)
28	059+UVFLUSH	PACKET,UVS	(349CO)

Mon May 4 22:46:47 1998

15IUSURFAC01



Start UTC_TIME : 1998-151 // 12:17:57.750

No End Time :

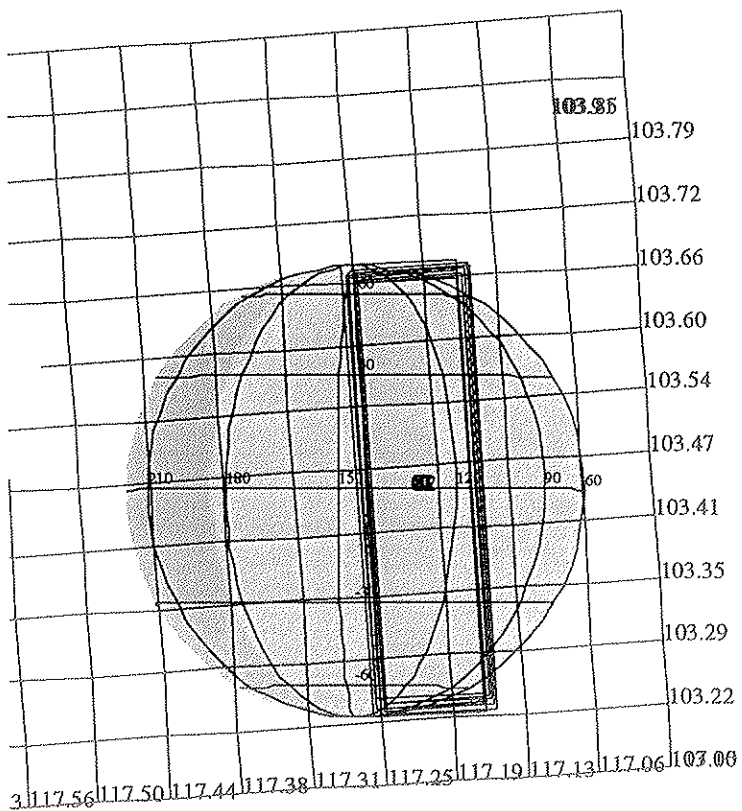
Start SCLK : 1/04499151:00:0:0

Target Body : IO

Target Ro/Dec : 293.19 / -22.65 Deg

S/C to Body Center : 520381.0 Km (285.24187 Ri)

Z-axis Pointing (Ro / Dec) : 175.44 / 4.46 Deg



165CE:TT= 0 TMC= 2 C= -0.90 XC= 0.00 BS= 0/4437 TC= 3
 A= 728 pD= 10182 SR=17.450 RA50=293.11 DEC50=-22.66 cone=117.21 clock=103.45

ESIGN G3.2 kent : 4/22/1998 10:35:26

FILE:P.15IUSURFAC01

TARGET BODY : IO

FILE:m.15IUSURFAC01

FILE:EPH:/DATA/NAVIO/T-980330-tour.NS

ERIAPSIS:

THINNING: :UVS 60

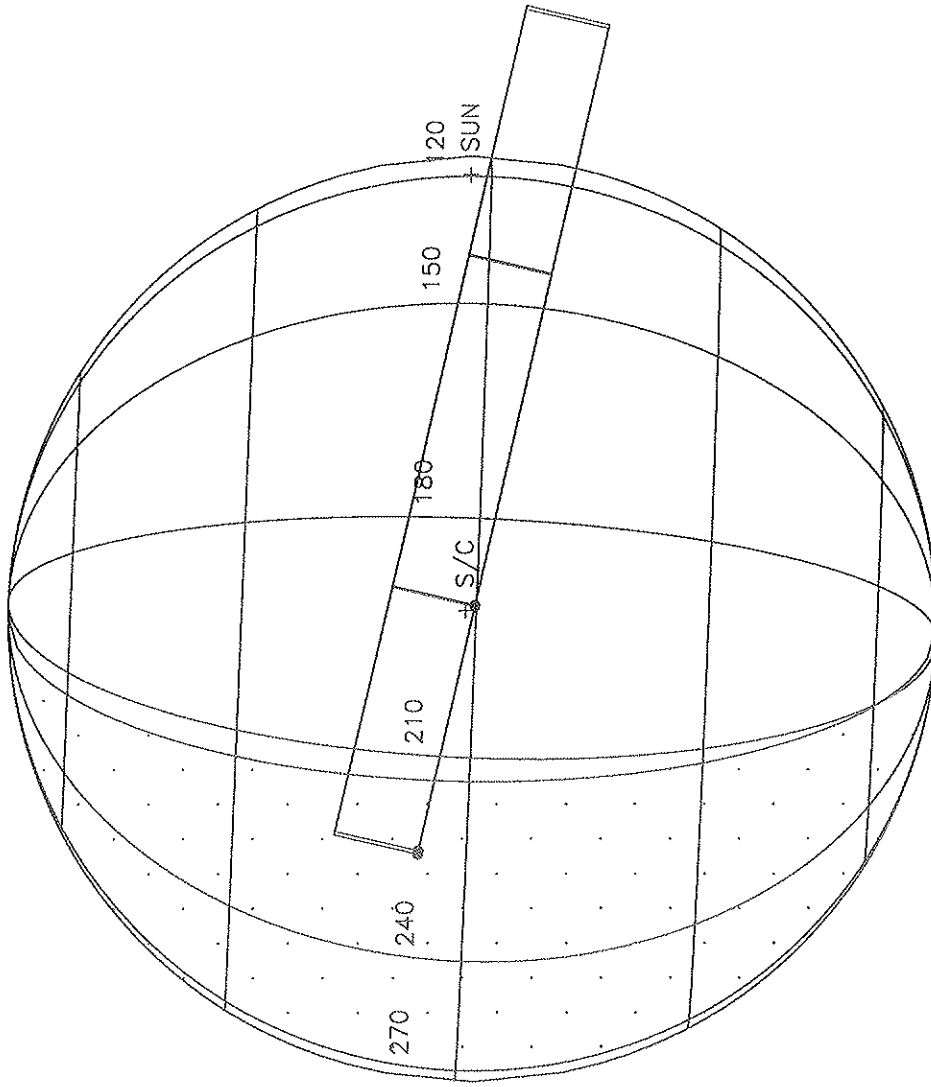
TARGET TIME:JEE 98-152/02:34:27.800 -CDS 847:00:0

BODY PLOT TIME:TARGET-TIME D=10182 S= 0.600

Activity ID: Orbit 15		OAPEL EUSURFAC		SeqNo 02-	
Title		Europa Surface Observation		Instrument UVS	
Requestor		UVS-SWG/W. SWBET X30523		Team UVS	
				Working Group SWG	
Time System CDS		Load ID 15A		Calendar Date 05/31/98	
				Week 22	
Start		JEE-CDS 00000732:00:0		98-151/14:14:19.800	
				JEE-000/12:20:08.000	
End		JEE-CDS 00000672:00:0		98-151/15:14:59.800	
				JEE-000/11:19:28.000	
Duration		00000060:00:0		000/01:00:40.000	
				000/01:00:40.000	
Top Label		15EUSURFAC02-			
Bottom Label		real-time			
Plot Key		UVS		Type SCI	
CDS Bytes		148		Report Options BOTH	
				Scan Platform Yes	
CDS Source		OAP		Spin State DUAL	
				DMS No	
Observation Objective					
<p>15EUSURFAC02: We will observe Europa's surface at various longitudes and phase angles with TMC on to get good signal using F/F full scans. These observations will complement the nominal mission observations to derive phase curves for several locations on Europa, to understand how exogenic processes affect the surface scattering. We are interested in obtaining a high signal-to-noise at the shorter wavelengths (<2200 Å) to see if Europa's surface has any distinctive features in the region. Observe Europa's surface for 1 hour. Sunlight, 177 longitude, 69 phase.</p> <p>Rj = 11.7</p> <p>UVS configuration: F/F full scans</p> <p>17712 bits/flush * 1 flush = 0.018 mbtg</p> <p>[waiver G-15 for inside 13 Rj]</p>					
Design Detail					
CDS	RIM	COMMAND	PARAMETERS	PSID	
---	---	---	---	---	
0	000	COMMENT	UVS RIM 0	(384CG)	
28	003+UVFLUSH	DISCRD,UVS		(349CP)	
38	003	CMDRS		(157CD)	
	004	1	34UVS,07,S,N,N,N,S,0, ON,OFF,OFF, ON,OFF,NOOVR,1,00,9C,00,00		
	060	57	34UVS,C1,F,N,N,N,S,0,OFF,OFF, ON,OFF,OFF,NOOVR,1,2C,05,00,00		
54	004	TARGET	TMC on body (RA/Dec=273.13/-25.32)	(165CF)	
28	059+UVFLUSH	PACKET,UVS		(349CQ)	

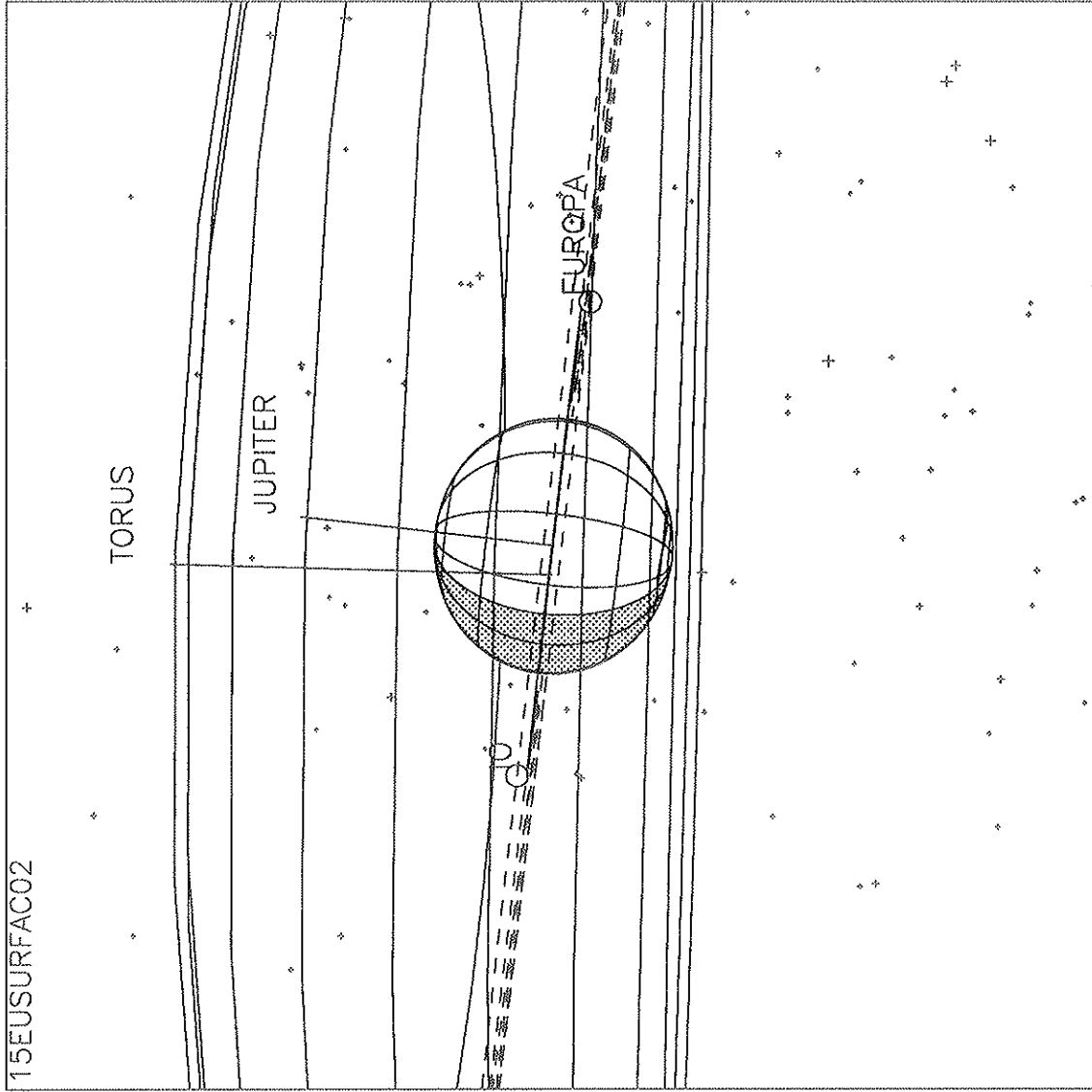
Mon May 4 22:50:33 1998

15EUSURFAC02



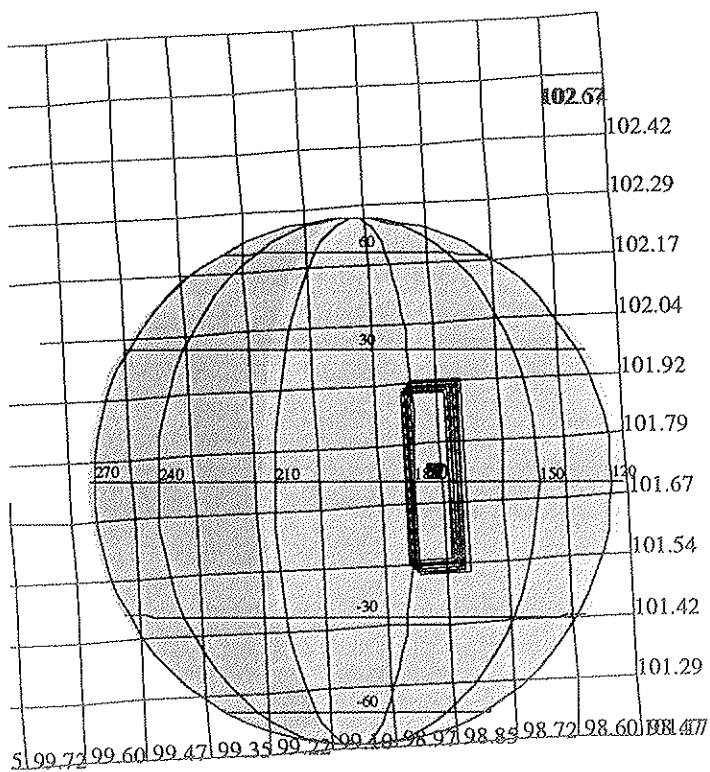
Start UTC_TIME : 1998-151 // 14:18:17.080
No End Time :
Start SCLK : 1/04499270:00:0:0
Target Body : EUROPA
Target Ra/Dec : 273.38 / -25.32 Deg
S/C to Body Center : 164965.9 Km (105.40952 Re)
Z-axis Pointing (Ra / Dec) : 175.44 / 4.46 Deg

Mon Jun 1 17:53:19 1998



Start UTC_TIME : 1998-151 // 14:18:17.000
End UTC_TIME : 1998-151 // 15:18:17.000
Start SCLK : 1/04499269:90:8:6

Target Body : JUPITER
Target Cone/Clock : 108.45/102.56 Deg
S/C to Body Center : 839533.4 Km (11.743039 Rj)
Z-axis Pointing (Ra / Dec) : 175.44 / 4.46 Deg



165CF:IT= 0 TMC= 2 C= -3.00 XC= 0.00 BS= 0/6095 TC= 3
 A= 728 pD= 10182 SR=17.450 RA50=273.13 DEC50=-25.32 cone= 98.85 clock=101.72

ESIGN G3.2 kent : 4/22/1998 10:36:25

FILE:P.15EUSURFAC02

TARGET BODY : EUROPA

FILE:m.15EUSURFAC02

FILE:C EPH:/DATA/NAVIO/T-980330-tour.NS

PHENOMENON: ERIAPSIS:

THINNING: :UVS 60

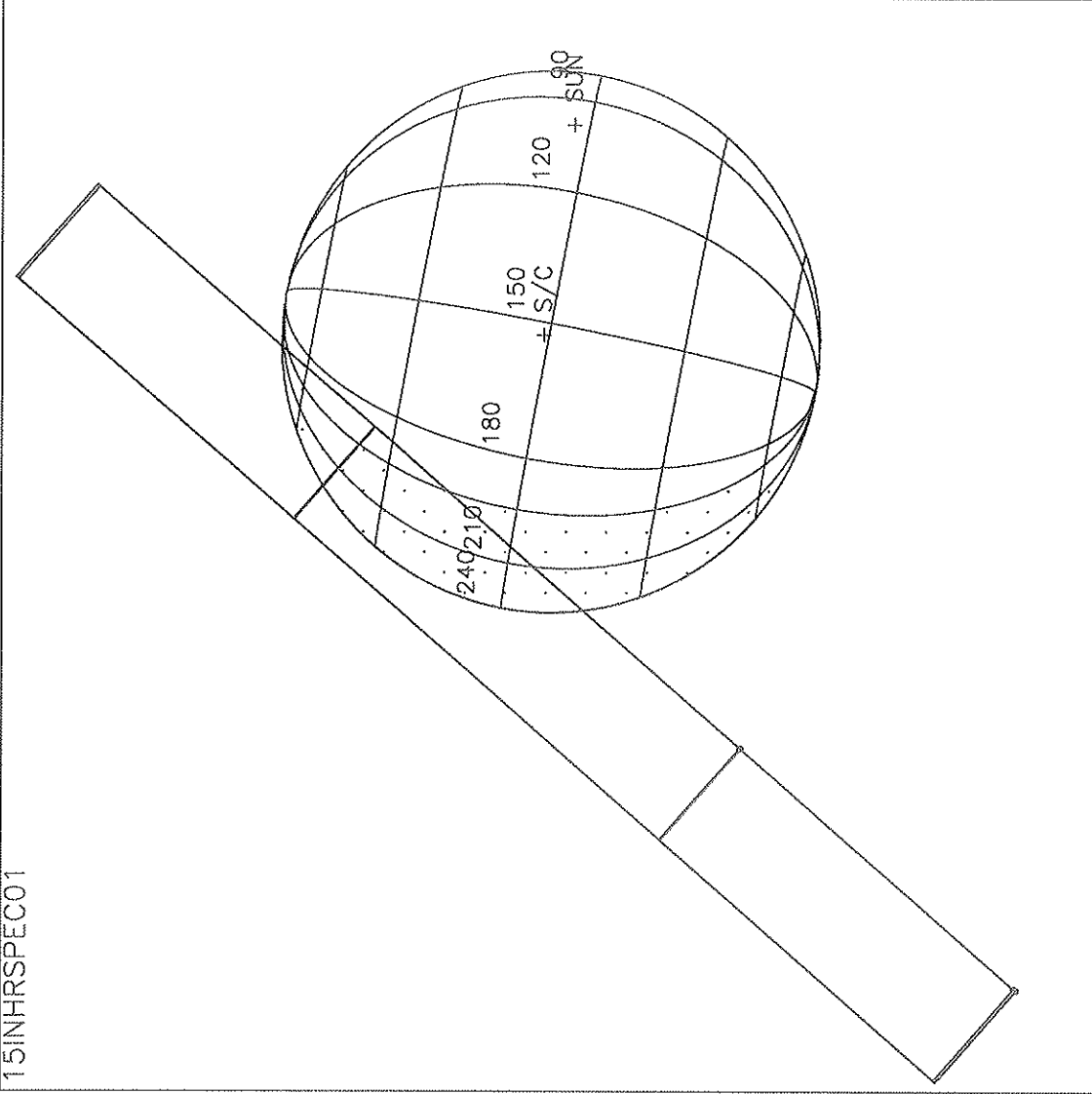
START TIME: JEE 98-152/02:34:27.800 -CDS 728:00:0

BODY PLOT TIME: TARGET-TIME D=10182 S= 0.700

Activity ID:	Orbit 15	OAPEL	IUHRSPEC	SeqNo	01+
Title	Io hi-res Surface Observation			Instrument	UVS
Requestor	UVS-SWG/W. SWEET X30523	Team	UVS	Working Group	SWG
Time System	CDS	Load ID	15A	Calendar Date	05/31/98
		Week			22
Start	JEE-CDS 00000459:00:0		98-151/18:50:21.800		JEE-000/07:44:06.000
End	JEE-CDS 00000434:00:0		98-151/19:15:38.467		JEE-000/07:18:49.333
Duration	00000025:00:0		000/00:25:16.667		000/00:25:16.667
Top Label	15IUHRSPEC01+				
Bottom Label	NIMS ride-along				
Plot Key	UVS	Type	SCI		
CDS Bytes	38	Report Options	BOTH	Scan Platform	Yes
CDS Source	OAP	Spin State	DUAL	DMS	Yes
Observation Objective					
<p>15IUHRSPEC01: Ride-along with the NIMS 15INHRSPEC01 observation to observe Io at high spectral resolution in the 1600 A to 3200A wavelength regions at phase angles not obtainable from the Earth. Data will supplement and complement the NIMS surface property measurements.</p> <p>Rj = 12.1</p> <p>UVS configuration: full scan F/F</p> <p>((1008 bps) * (21 RIMs)) * 0.333 (compression) = 0.428 mbtg</p> <p>[waiver G-15 for inside 13 Rj]</p>					
Design Detail					
CDS	RIM	COMMAND	PARAMETERS	PSID	
---	---	-----	-----	-----	
0	000	COMMENT	UVS RIM 0	(384CF)	
38	003	CMDRS		(157CF)	
	004	1	34UVS,07,S,N,N,N,S,0, ON,OFF,OFF, ON,OFF,NOOVR,1,00,9C,00,00		
	025	22	34UVS,C1,F,N,N,N,S,0,OFF,OFF, ON,OFF,OFF,NOOVR,1,2C,05,00,00		

Mon May 4 22:48:42 1998

15INHRSPEC01



Start UTC_TIME : 1998-151 // 13:18:37.748

No End Time :

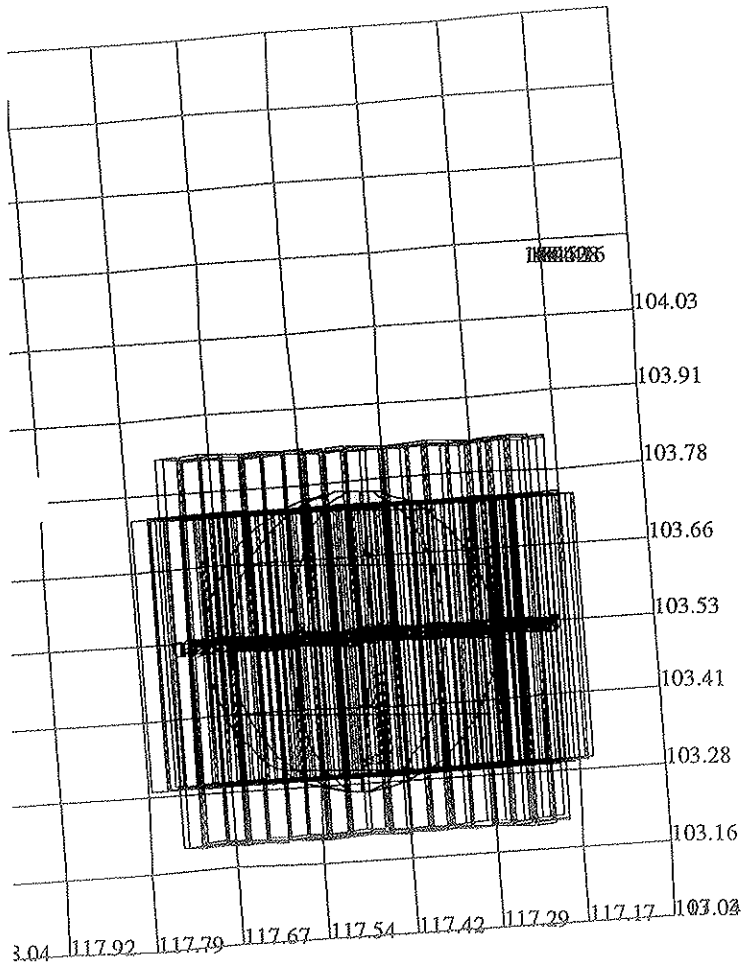
Start SCLK : 1/04499211:00:0:0

Target Body : IO

Target Ro/Dec : 293.41 / -22.57 Deg

S/C to Body Center : 471560.9 Km (258.48157 RI)

Z-axis Pointing (Ra / Dec) : 175.44 / 4.46 Deg



165 :TT= 0 TMC= 1 C= 4.60 XC= 0.00 BS= 0/5357 TC= 3
 A= 728 pD= 3812 SR=17.450 RA50=293.67 DEC50=-22.54 cone=117.74 clock=103.52
 117 :#SB= 1 OR= 0.030 RR=12.000 BM=F RC= 1 BS= 0/5357
 1: #s= 4 Cs= -9.20 XCs= 0.00 Cr= 9.06 XCr= 0.00 sD= 930 rD= 24

ESIGN G3.2 kent : 4/22/1998 10:35:47

ILE:P.fake

TARGET BODY : IO

:m.15IUHRSPEC01

/C EPH:/DATA/NAVIO/T-980330-tour.NS

ERIAPSIS:

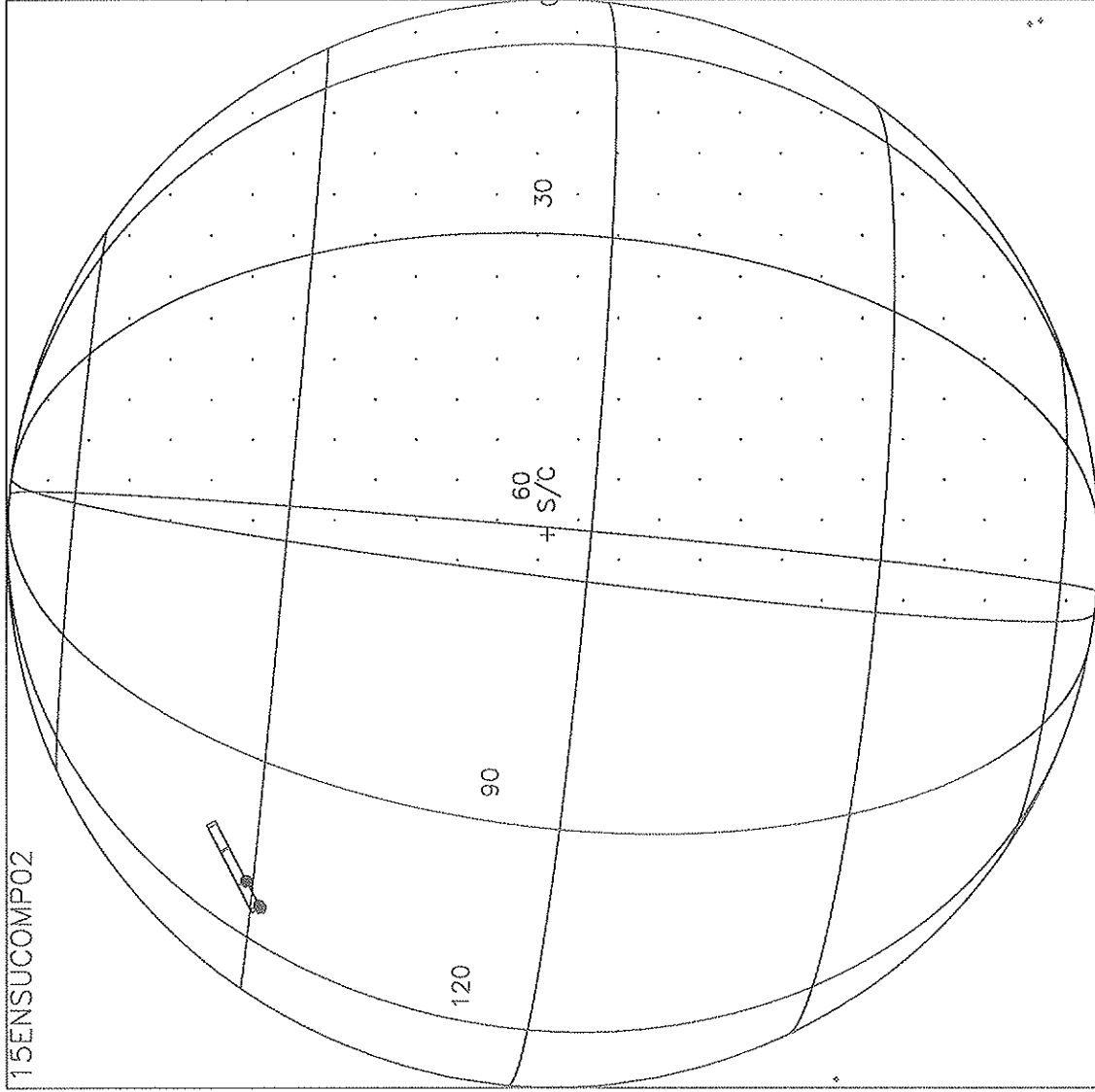
THINNING:NIM 2 :UVS 1

TART:IEE 98-151/20:58:46.466 -CDS 455:00:0

BODY PLOT TIME:TARGET-TIME D= 3812 S= 0.400

Activity ID: Orbit 15		OAPEL EUSUCOMP		SeqNo 02+	
Title		r/a Europa Surface Composition		Instrument UVS	
Requestor		UVS-SWG/W. SWEET X30523		Team UVS	
				Working Group SWG	
Time System CDS		Load ID 15A		Calendar Date 05/31/98	
				Week 22	
Start		EEE+CDS 00000033:00:0		98-151/21:46:17.800	
				EEE+000/00:33:22.000	
End		EEE+CDS 00000058:00:0		98-151/22:11:34.466	
				EEE+000/00:58:38.666	
Duration		00000025:00:0		000/00:25:16.666	
				000/00:25:16.666	
Top Label		15EUSUCOMP02+			
Bottom Label		NIMS ride-along			
Plot Key		UVS		Type SCI	
CDS Bytes		38		Report Options BOTH	
				Scan Platform Yes	
CDS Source		OAP		Spin State DUAL	
				DMS Yes	
Observation Objective					
<div style="border: 1px solid black; padding: 5px;"> <p>15EUSUCOMP02: Ride-along with NIMS 15ENSUCOMP02 observation to observe Europa in the 1600A - 3200 A wavelength regions at phase angles not obtainable from Earth. Data will supplement and complement the NIMS surface property measurements.</p> <p>Rj = 9.4 UVS configuration: full F/F scans.</p> <p>((1008 bps) * (19 RIMs)) * 0.333 (compression) = 0.391 mbtg</p> <p>[waiver G-15 for inside 13 Rj]</p> </div>					
Design Detail					
CDS	RIM	COMMAND PARAMETERS	PSID		
---	---	-----	-----		
0	000	COMMENT UVS RIM 0	(384CI)		
38	003	CMDRS	(157CI)		
	004	1 34UVS,07,S,N,N,N,S,0, ON,OFF,OFF, ON,OFF,NOOVR,1,00,9C,00,00			
	023	20 34UVS,C1,F,N,N,N,S,0,OFF,OFF, ON,OFF,OFF,NOOVR,1,2C,05,00,00			

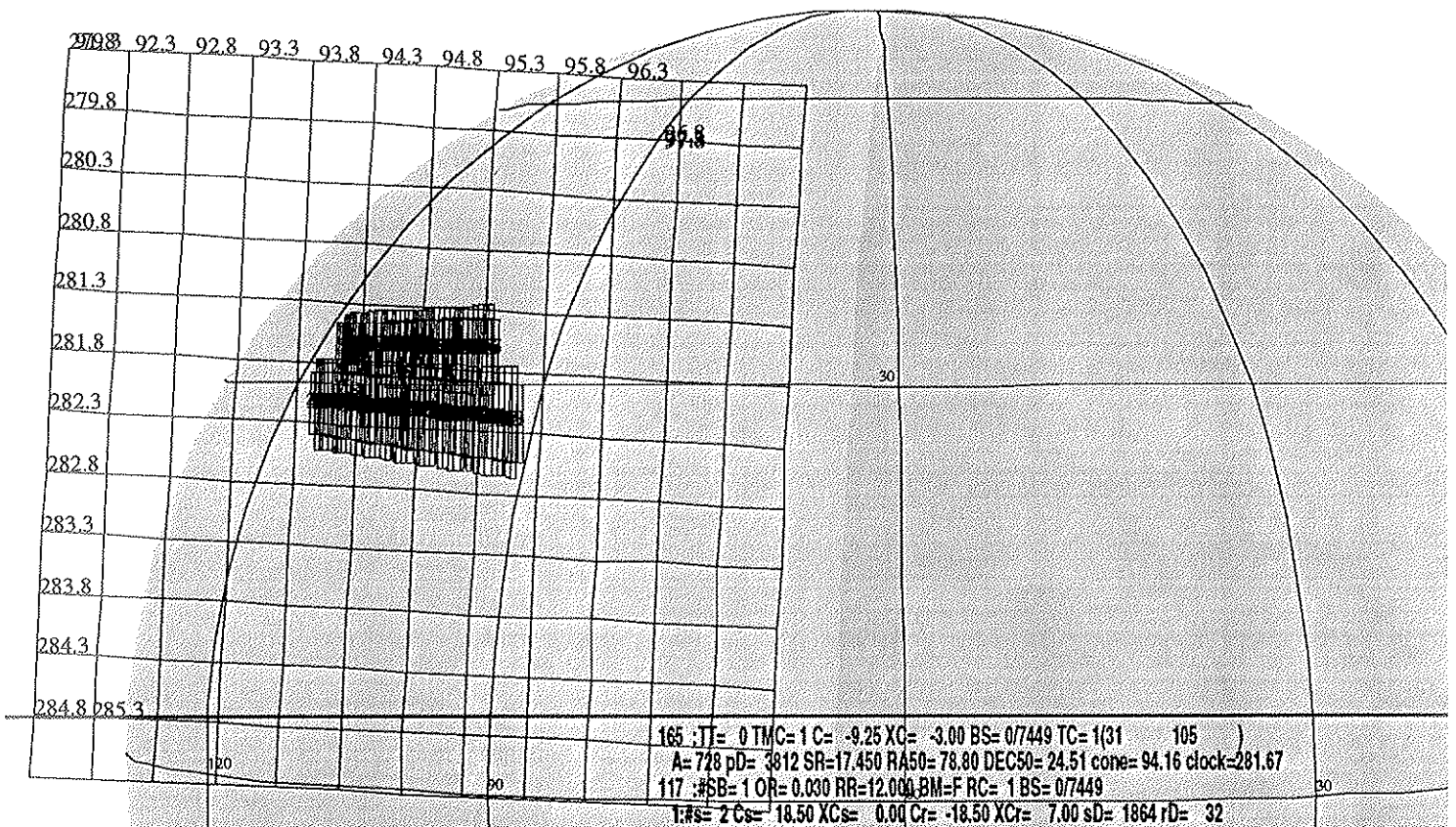
Mon May 4 22:54:48 1998



15ENSUCOMP02

Start UTC_TIME : 1998-151 // 21:50:15.063
No End Time :
Start SCLK : 1/04499717:00:0:0

Target Body : EUROPA
Target Ra/Dec : 74.95 / 21.08 Deg
S/C to Body Center : 15196.65 Km (9.7103169 Re)
Z-axis Pointing (Ra / Dec) : 175.44 / 4.46 Deg



ESIGN G3.2 kent : 4/22/1998 10:37:21

FILE:P.fake

TARGET BODY : EUROPA

NAME:m.15EUSUCOMP02

FILE PATH:/C EPH:/DATA/NAVIO/T-980330-tour.NS

PHYSICS: ERIAPSIS:

THINNING:NIM 2 :UVS 1

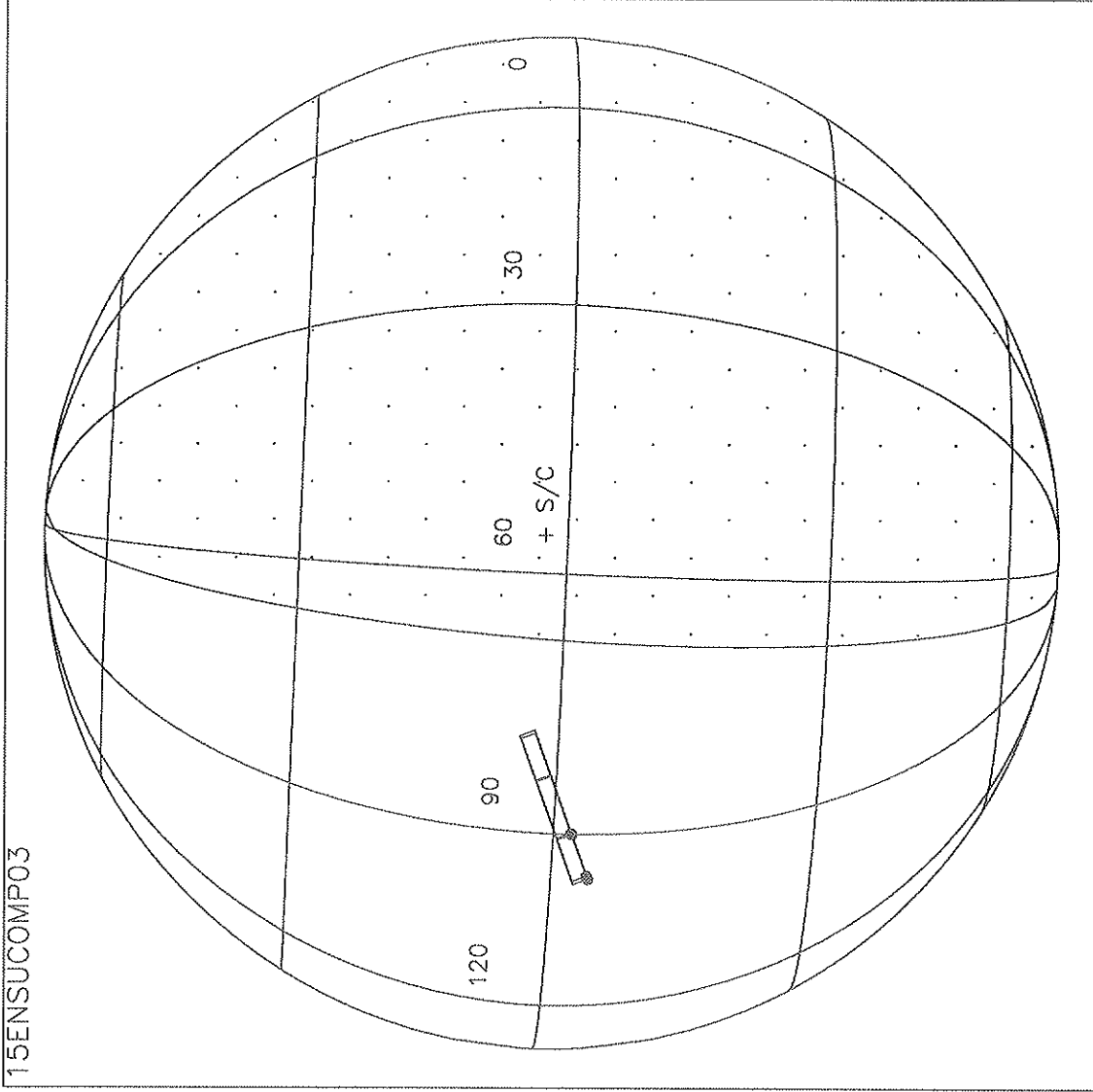
START TIME:EEE 98-151/21:12:55.800 +CDS 37:00:0

BODY PLOT TIME:TARGET-TIME D= 3812 S= 2.000

Activity ID: Orbit 15		OAPEL EUSUCOMP		SeqNo 03+	
Title		r/a Europa Surface Composition		Instrument UVS	
Requestor		UVS-SWG/W. SWEET X30523		Team UVS	
				Working Group SWG	
Time System CDS		Load ID 15A		Calendar Date 05/31/98	
				Week 22	
Start		EEE+CDS 00000069:00:0		98-151/22:22:41.800	
				EEE+000/01:09:46.000	
End		EEE+CDS 00000079:00:0		98-151/22:32:48.466	
				EEE+000/01:19:52.666	
Duration		00000010:00:0		000/00:10:06.666	
				000/00:10:06.666	
Top Label		15EUSUCOMP03+			
Bottom Label		NIMS ride-along			
Plot Key		UVS		Type SCI	
CDS Bytes		38		Report Options BOTH	
				Scan Platform Yes	
CDS Source		OAP		Spin State DUAL	
				DMS Yes	
Observation Objective					
<div style="border: 1px solid black; padding: 5px;"> <p>15EUSUCOMP03: Ride-along with NIMS 15ENSUCOMP02 observation to observe Europa in the 1600A - 3200 A wavelength regions at phase angles not obtainable from Earth. Data will supplement and complement the NIMS surface property measurements.</p> <p>Rj = 9.2 UVS configuration: full F/F scans.</p> <p>((1008 bps) * (10 RIMs)) * 0.333 (compression) = 0.208 mbtg</p> <p>[waiver G-15 for inside 13 Rj]</p> </div>					
Design Detail					
CDS	RIM	COMMAND PARAMETERS	PSID		
---	---	-----	----		
0	000	COMMENT UVS RIM 0	(384CJ)		
38	-01	CMDRS	(157CJ)		
	000	1 34UVS,07,S,N,N,N,S,0, ON,OFF,OFF, ON,OFF,NOOVR,1,00,9C,00,00			
	010	1.1 34UVS,C1,F,N,N,N,S,0,OFF,OFF, ON,OFF,OFF,NOOVR,1,2C,05,00,00			

Mon May 4 22:56:22 1998

15ENSUCOMP03



Start UTC_TIME : 1998-151 // 22:22:36.396

No End Time :

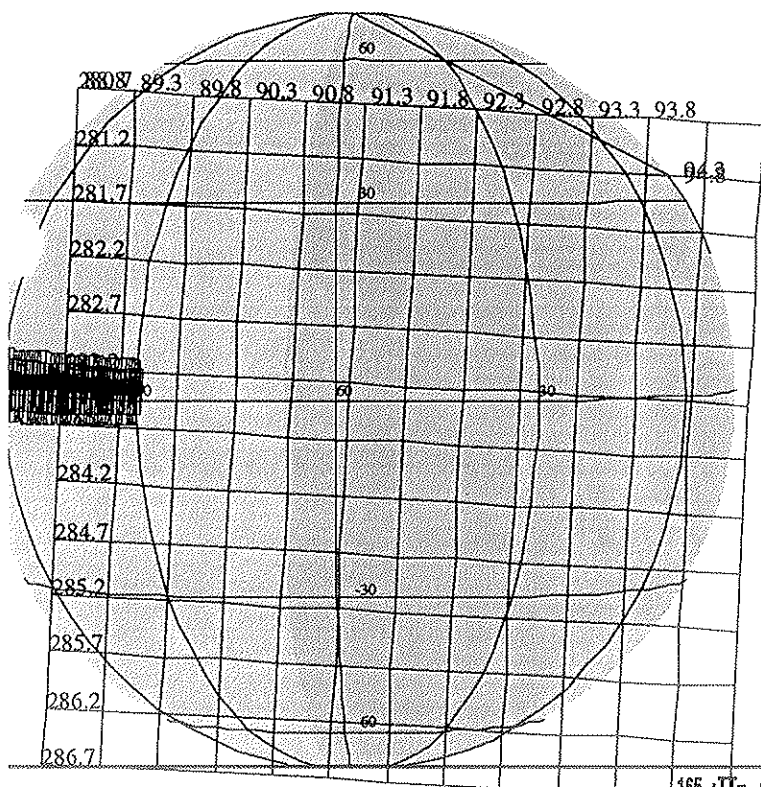
Start SCLK : 1/04499749:00:0:0

Target Body : EUROPA

Target Ra/Dec : 82.27 / 23.33 Deg

S/C to Body Center : 27210.52 Km (17.386916 Re)

Z-axis Pointing (Ra / Dec) : 175.44 / 4.46 Deg



165 :TJ= 0 TMC= 1 C= 0.00 XC= 0.00 BS= 0/3273 TC= 1(1 90)
 A= 728 pD= 1810 SR=17.450 RA50= 84.14 DEC50= 23.30 cone= 89.42 clock=283.35
 117 :#SB= 1 OR= 0.030 RR=12.000 BM=F RC= 1 BS= 0/3273
 1:#s= 1 Cs= -18.10 XCs= 0.00 Cr= 0.00 XCr= 0.00 sD= 1820 rD= 2

ESIGN G3.2 kent : 4/22/1998 10:37:57

ILE:P.fake

ARGET BODY : EUROPA

:m.15EUSUCOMP03

/C EPH:/DATA/NAVIO/T-980330-tour.NS

ERIAPSIS:

THINNING:NIM 2 :UVS 1

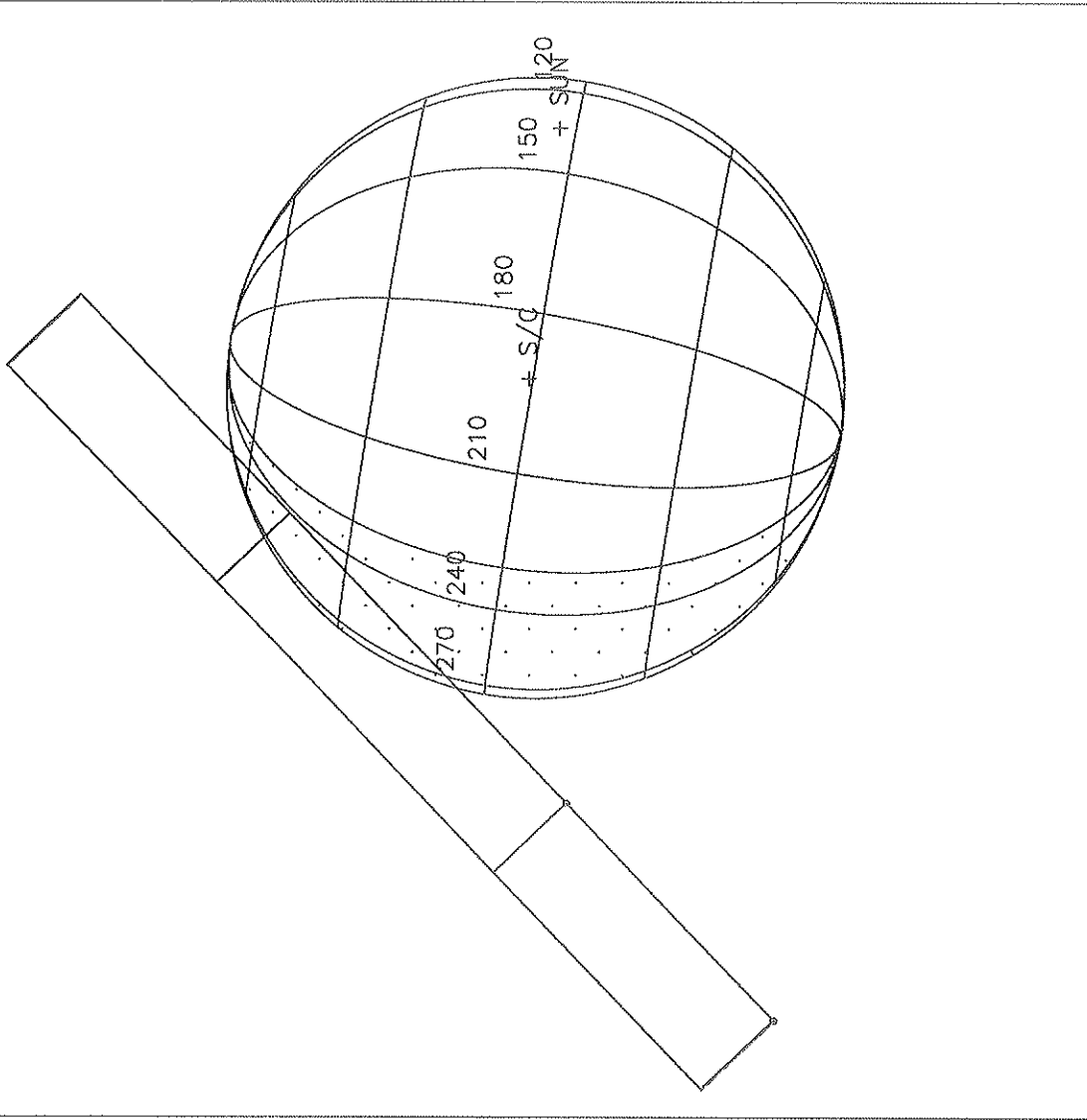
TART:EEE 98-151/21:12:55.800 +CDS 69:00:0

BODY PLOT TIME:TARGET-TIME D= 1810 S= 1.000

Activity ID: Orbit 15		OAPEL IUHRSPEC		SeqNo 02+	
Title		Io hi-res Surface Observation		Instrument UVS	
Requestor		UVS-SWG/W. SWEET X30523		Team UVS	
				Working Group SWG	
Time System CDS		Load ID 15A		Calendar Date 05/31/98	
				Week 22	
Start		JEE-CDS 00000203:00:0		98-151/23:09:12.467	
				JEE-000/03:25:15.333	
End		JEE-CDS 00000180:00:0		98-151/23:32:27.800	
				JEE-000/03:02:00.000	
Duration		00000023:00:0		000/00:23:15.333	
				000/00:23:15.333	
Top Label		15IUHRSPEC02+			
Bottom Label		NIMS ride-along			
Plot Key		UVS		Type SCI	
CDS Bytes		38		Report Options BOTH	
				Scan Platform Yes	
CDS Source		OAP		Spin State DUAL	
				DMS Yes	
Observation Objective					
<div style="border: 1px solid black; padding: 5px;"> <p>15IUHRSPEC02: Ride-along with the NIMS 15INHRSPEC02 observation to observe Io at high spectral resolution in the 1600 Å to 3200Å wavelength regions at phase angles not obtainable from the Earth. Data will supplement and complement the NIMS surface property measurements.</p> <p>Rj = 10.6</p> <p>UVS configuration: full scan F/F</p> <p>((1008 bps) * (19 RIMs)) * 0.333 (compression) = 0.387 mbtg</p> <p>[waiver G-15 for inside 13 Rj]</p> </div>					
Design Detail					
CDS	RIM	COMMAND PARAMETERS	PSID		
---	---	-----	----		
0	000	COMMENT UVS RIM 0	(384CH)		
38	003	CMDRS	(157CH)		
	004	1 34UVS,07,S,N,N,N,S,0	ON,OFF,OFF, ON,OFF,NOOVR,1,00,9C,00,00		
	023	20 34UVS,C1,F,N,N,N,S,0	OFF,OFF, ON,OFF,OFF,NOOVR,1,2C,05,00,00		

Mon May 4 22:52:15 1998

15INHRSPEC02



Start UTC_TIME : 1998-151 // 17:37:28.406

No End Time :

Start SCLK : 1/04499467:00:0:0

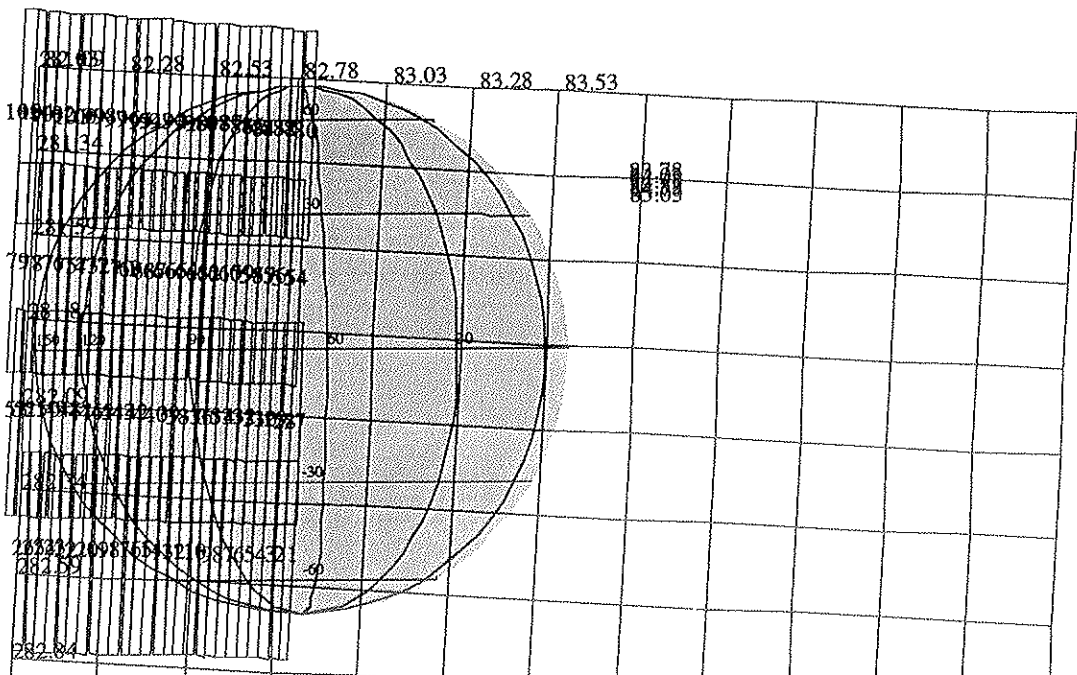
Target Body : IO

Target Ra/Dec : 289.95/-23.02 Deg

S/C to Body Center : 337690.3 Km (185.10173 Rt)

Z-axis Pointing (Ra / Dec) : 175.44 / 4.46 Deg

Activity ID:	Orbit 15	OAPEL	EUGLOBAL	SeqNo	01+
Title	r/a Europa Global			Instrument	UVS
Requestor	UVS-SWG/W. SWEET X30523	Team	UVS	Working Group	SWG
Time System	CDS	Load ID	15A	Calendar Date	06/01/98
				Week	22
Start	EEE+CDS 00000300:00:0		98-152/02:16:15.800		EEE+000/05:03:20.000
End	EEE+CDS 00000334:00:0		98-152/02:50:38.466		EEE+000/05:37:42.666
Duration	00000034:00:0		000/00:34:22.666		000/00:34:22.666
Top Label	15EUGLOBAL01+				
Bottom Label	NIMS ride-along				
Plot Key	UVS	Type	SCI		
CDS Bytes	38	Report Options	BOTH	Scan Platform	Yes
CDS Source	OAP	Spin State	DUAL	DMS	Yes
Observation Objective					
<div style="border: 1px solid black; padding: 5px;"> <p>15EUGLOBAL01: Ride-along with NIMS 15ENGLOBAL01 observation to observe Europa in the 1600 A to 3200 A wavelength regions at phase angles not obtainable from Earth. Data will supplement and complement the NIMS surface property measurements.</p> <p>Rj = 8.8 UVS configuration: full F/F scans.</p> <p>((1008 bps) * (30 RIMS)) * 0.333 (compression) = 0.612 mbtg</p> <p>[waiver G-14 for cone 82] [waiver G-15 for inside 13 Rj]</p> </div>					
Design Detail					
CDS	RIM	COMMAND	PARAMETERS	PSID	
---	---	---	---	---	
0	000	COMMENT	UVS RIM 0	(384CK)	
38	003	CMDRS		(157CK)	
	004	1	34UVS,07,S,N,N,N,S,0, ON,OFF,OFF, ON,OFF,NOOVR,1,00,9C,00,00		
	034	31	34UVS,C1,F,N,N,N,S,0,OFF,OFF, ON,OFF,OFF,NOOVR,1,2C,05,00,00		



165DI:TT= 0 TMC= 1C= 0.00 XC= 10.75 BS= 0/6043 TC= 3
 A= 728 pD= 5450 SR=17.450 RA50= 91.31/DEC50= 24.51 cone= 82.82 clock=282.51
 117DI: #SB= 1 OR= 0.030 RR=12.000 BM= F FC= 1 BS= 0/6043
 1: #s= 4 Cs= -13.40 XCs= 0.00 Cr= 13.40 XCr= -7.00 sD= 1348 rD= 20

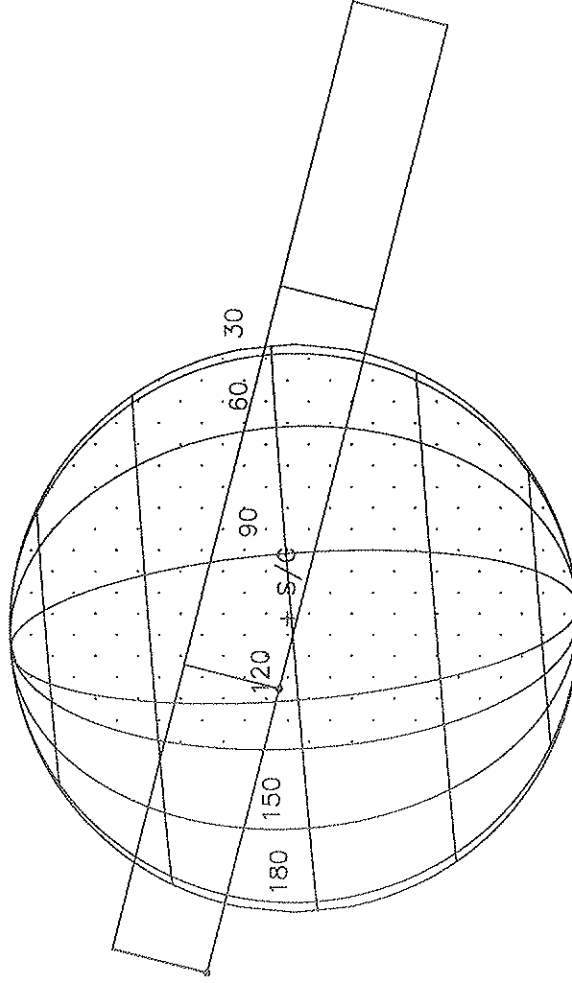
ESIGN G3.2 kent : 4/22/1998 10:39:19
 FILE:P.15ENGLOBAL01
 TARGET BODY : EUROPA
 FILE:m.15ENGLOBAL01
 FILE:CEPH/DATA/NAVIO/T-980330-tour.NS

ERIAPSIS: THINNING:NIM 2
 TARGET TIME: 98-151/21:12:55.800 +CDS 304:00:0 BODY PLOT TIME: TARGET-TIME D= 5450 S= 0.700

Activity ID: Orbit 15	OAPEL EUEUR16H	SeqNo 01+	
Title	Europa Surface Observation	Instrument UVS	
Requestor	UVS-SWG/W. SWEET X30523	Team UVS Working Group SWG	
Time System CDS	Load ID 15A	Calendar Date 06/01/98 Week 22	
Start	EEE+CDS 00000953:00:0	98-152/13:16:31.133 EEE+000/16:03:35.333	
End	EEE+CDS 00000968:00:0	98-152/13:31:41.133 EEE+000/16:18:45.333	
Duration	00000015:00:0	000/00:15:10.000 000/00:15:10.000	
Top Label	15EUEUR16H01+		
Bottom Label	NIMS ride-along		
Plot Key	UVS	Type SCI	
CDS Bytes	38	Report Options BOTH Scan Platform Yes	
CDS Source	OAP	Spin State DUAL DMS Yes	
Observation Objective			
<div style="border: 1px solid black; padding: 5px;"> <p>15EUEUR16H01: Ride-along with the NIMS 15ENEUR16H01 observation to observe Europa at high spectral resolution in the 1600 A to 3200A wavelength regions at phase angles not obtainable from the Earth. Data will supplement and complement the NIMS surface property measurements.</p> <p>Rj = 8.5</p> <p>UVS configuration: full scan F/F</p> <p>((1008 bps) * (10 RIMs)) * 0.333 (compression) = 0.204 mbtg</p> <p>[waiver G-14 for cone 76]</p> <p>[waiver G-15 for inside 13 Rj]</p> </div>			
Design Detail			
CDS	RIM	COMMAND PARAMETERS	PSID
0	000	COMMENT UVS RIM 0	(384CX)
38	003	CMDRS	(157CL)
	004	1 34UVS,07,S,N,N,N,S,0, ON,OFF,OFF,	ON,OFF,NOOVR,1,00,9C,00,00
	016	13 34UVS,C1,F,N,N,N,S,0,OFF,OFF,	ON,OFF,OFF,NOOVR,1,2C,05,00,00

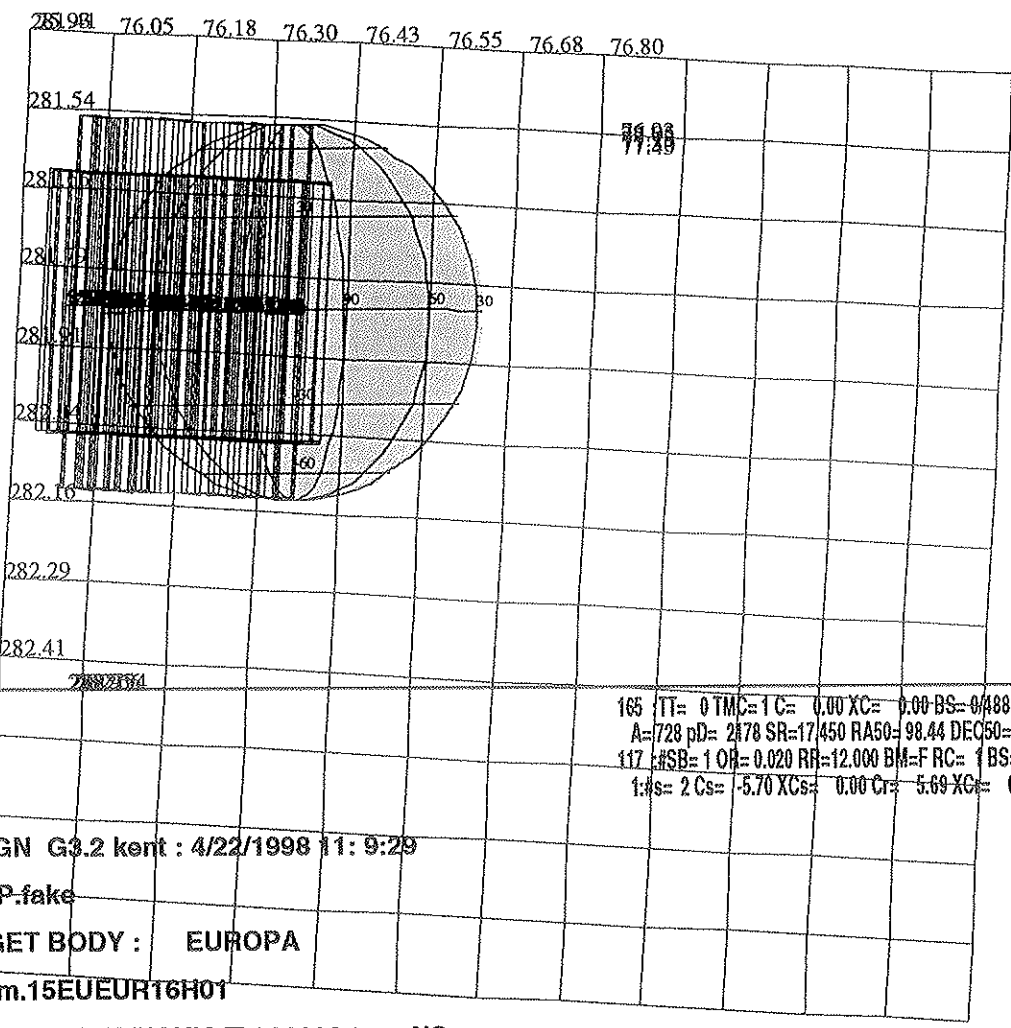
Mon May 4 22:57:47 1998

15ENEUR16H01



Start UTC_TIME : 1998-152 // 13:20:28.363
No End Time :
Start SCLK : 1/04500637:00:0:0

Target Body : EUROPA
Target Ra/Dec : 98.60 / 25.16 Deg
S/C to Body Center : 308150.1 Km (196.90105 Re)
Z-axis Pointing (Ra / Dec) : 175.44 / -4.46 Deg



165 TT= 0 TMC= 1 C= 0.00 XC= 0.00 BS= 0/4889 TC= 3
 A= 728 pD= 2878 SR= 17450 RA50= 98.44 DEC50= 25.17 cone= 76.34 clock= 281.85
 117 #SB= 1 OP= 0.020 RP= 12.000 BM= F RC= 1 BS= 0/4889
 1: #s= 2 Cs= -5.70 XC= 0.00 Cr= 5.69 XC= 0.00 sD= 862 rD= 388

ESIGN G3.2 kent : 4/22/1998 11: 9:29

ILE: P.fake

TARGET BODY : EUROPA

:m.15EUEUR16H01

/C EPH:/DATA/NAVIO/T-980330-tour.NS

ERIAPSIS:

THINNING:NIM 2 :UVS 1

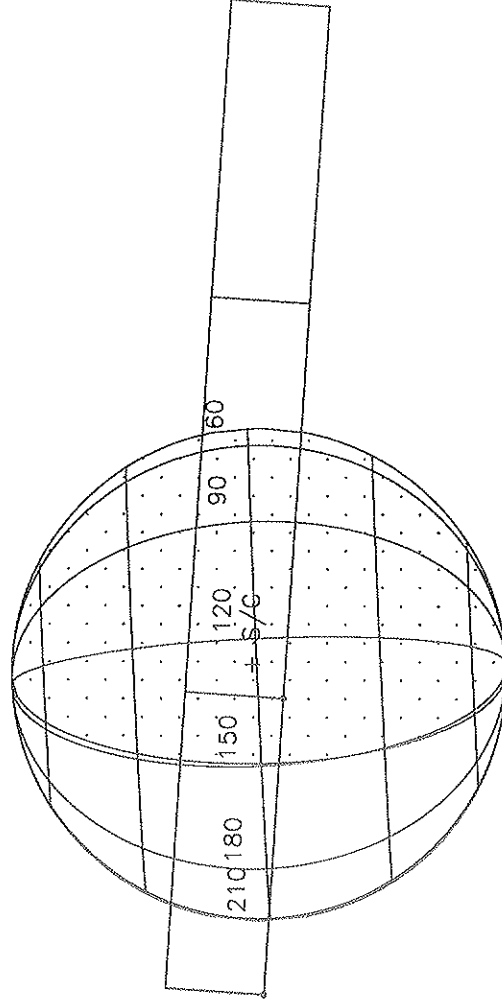
TART:EEE 98-151/21:12:55.800 +CDS 957:00:0

BODY PLOT TIME:TARGET-TIME D= 2178 S= 0.500

Activity ID: Orbit 15		OAPEL EUEUR20H		SeqNo 01+	
Title		Europa Surface Observation		Instrument UVS	
Requestor		UVS-SWG/W. SWEET X30523		Team UVS	
				Working Group SWG	
Time System CDS		Load ID 15A		Calendar Date 06/01/98	
				Week 22	
Start		EEE+CDS 00001220:00:0		98-152/17:46:29.133	
				EEE+000/20:33:33.333	
End		EEE+CDS 00001236:00:0		98-152/18:02:39.800	
				EEE+000/20:49:44.000	
Duration		00000016:00:0		000/00:16:10.667	
				000/00:16:10.667	
Top Label		15EUEUR20H01+			
Bottom Label		NIMS ride-along			
Plot Key		UVS		Type SCI	
CDS Bytes		38		Report Options BOTH	
				Scan Platform Yes	
CDS Source		OAP		Spin State DUAL	
				DMS Yes	
Observation Objective					
<div style="border: 1px solid black; padding: 5px;"> <p>15EUEUR20H01: Ride-along with the NIMS 15ENEUR20H01 observation to observe Europa at high spectral resolution in the 1600 A to 3200A wavelength regions at phase angles not obtainable from the Earth. Data will supplement and complement the NIMS surface property measurements.</p> <p>Rj = 8.5</p> <p>UVS configuration: full scan F/F</p> <p>((1008 bps) * (9 RIMs)) * 0.333 (compression) = 0.183 mbtg</p> <p>[waiver G-14 for cone 80]</p> <p>[waiver G-15 for inside 13 Rj]</p> </div>					
Design Detail					
CDS	RIM	COMMAND	PARAMETERS	PSID	
---	---	---	---	---	
0	000	COMMENT	UVS RIM 0	(384CY)	
38	003	CMDRS		(157CM)	
	004	1	34UVS,07,S,N,N,N,S,0,	ON,OFF,OFF,	ON,OFF,NOOVR,1,00,9C,00,00
	015	12	34UVS,C1,F,N,N,N,S,0,	OFF,OFF,	ON,OFF,OFF,NOOVR,1,2C,05,00,00

Mon May 4 22:59:15 1998

15ENEUR20H01



Start UTC_TIME : 1998-152 // 17:50:26.354

No End Time :

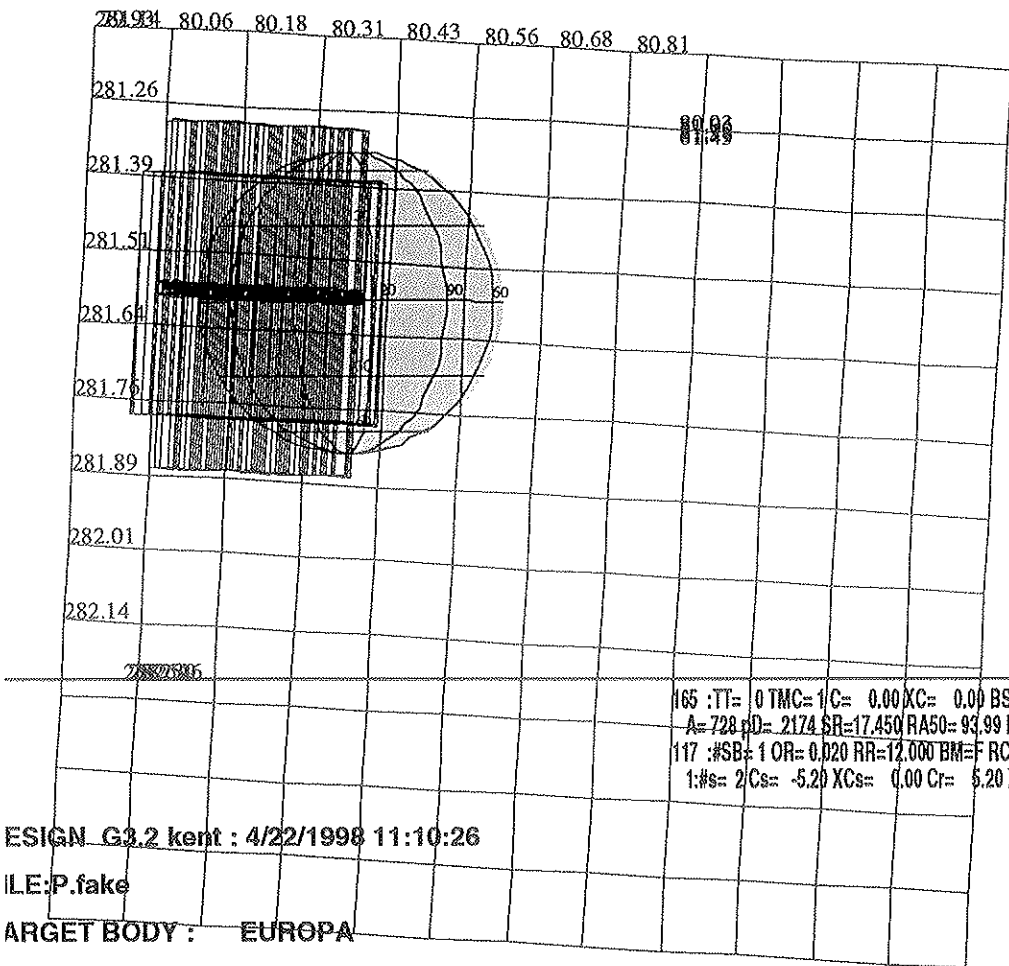
Start SCLK : 1/04500904:00:0:0

Target Body : EUROPA

Target Ra/Dec : 94.19 / 25.46 Deg

S/C to Body Center : 359436.5 Km (229.67186 Re)

Z-axis Pointing (Ra / Dec) : 175.44 / 4.46 Deg



ESIGN G3.2 kent : 4/22/1998 11:10:26

FILE:P.fake

TARGET BODY: EUROPA

:m.15EUEUR20H01

/C EPH:/DATA/NAVIO/T-980330-tour.NS

ERIAPSIS:

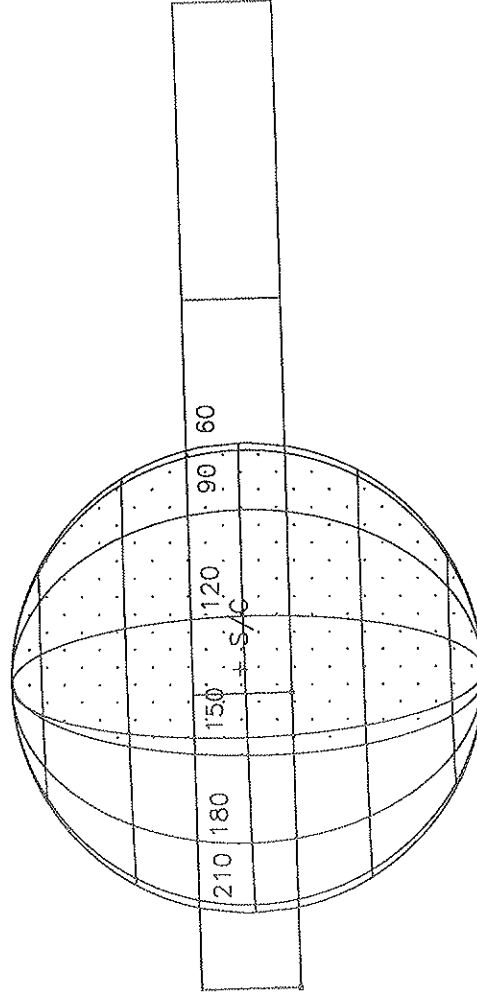
THINNING:NIM 2 :UVS 1

TART:EEE 98-151/21:12:55.800 +CDS 1224:00:0 BODY PLOT TIME:TARGET-TIME D= 2174 S= 0.400

Activity ID: Orbit 15	GAPEL EUEUR22H	SeqNo 01+	
Title	Europa Surface Observation	Instrument UVS	
Requestor	UVS-SWG/W. SWBET X30523	Team UVS Working Group SWG	
Time System CDS	Load ID 15A	Calendar Date 06/01/98 Week 22	
Start	EEE+CDS 00001294:00:0	98-152/19:01:18.466 EEE+000/21:48:22.666	
End	EEE+CDS 00001310:00:0	98-152/19:17:29.133 EEE+000/22:04:33.333	
Duration	00000016:00:0	000/00:16:10.667 000/00:16:10.667	
Top Label	15EUEUR22H01+		
Bottom Label	NIMS ride-along		
Plot Key	UVS	Type SCI	
CDS Bytes	38	Report Options BOTH Scan Platform Yes	
CDS Source	OAP	Spin State DUAL DMS Yes	
Observation Objective			
	15EUEUR22H01: Ride-along with the NIMS 15ENEUR22H01 observation to observe Europa at high spectral resolution in the 1600 A to 3200A wavelength regions at phase angles not obtainable from the Earth. Data will supplement and complement the NIMS surface property measurements.		
	Rj = 8.5		
	UVS configuration: full scan F/F		
	((1008 bps) * (8 RIMs)) * 0.333 (compression) = 0.163 mbtg		
	[waiver G-14 for cone 82] [waiver G-15 for inside 13 Rj]		
Design Detail			
CDS	RIM	COMMAND PARAMETERS	PSID
0	000	COMMENT UVS RIM 0	(384CZ)
38	003	CMDRS	(157CN)
	004	1 34UVS,07,S,N,N,N,S,0, ON,OFF,OFF, ON,OFF,NOOVR,1,00,9C,00,00	
	015	12 34UVS,C1,F,N,N,N,S,0,OFF,OFF, ON,OFF,OFF,NOOVR,1,2C,05,00,00	

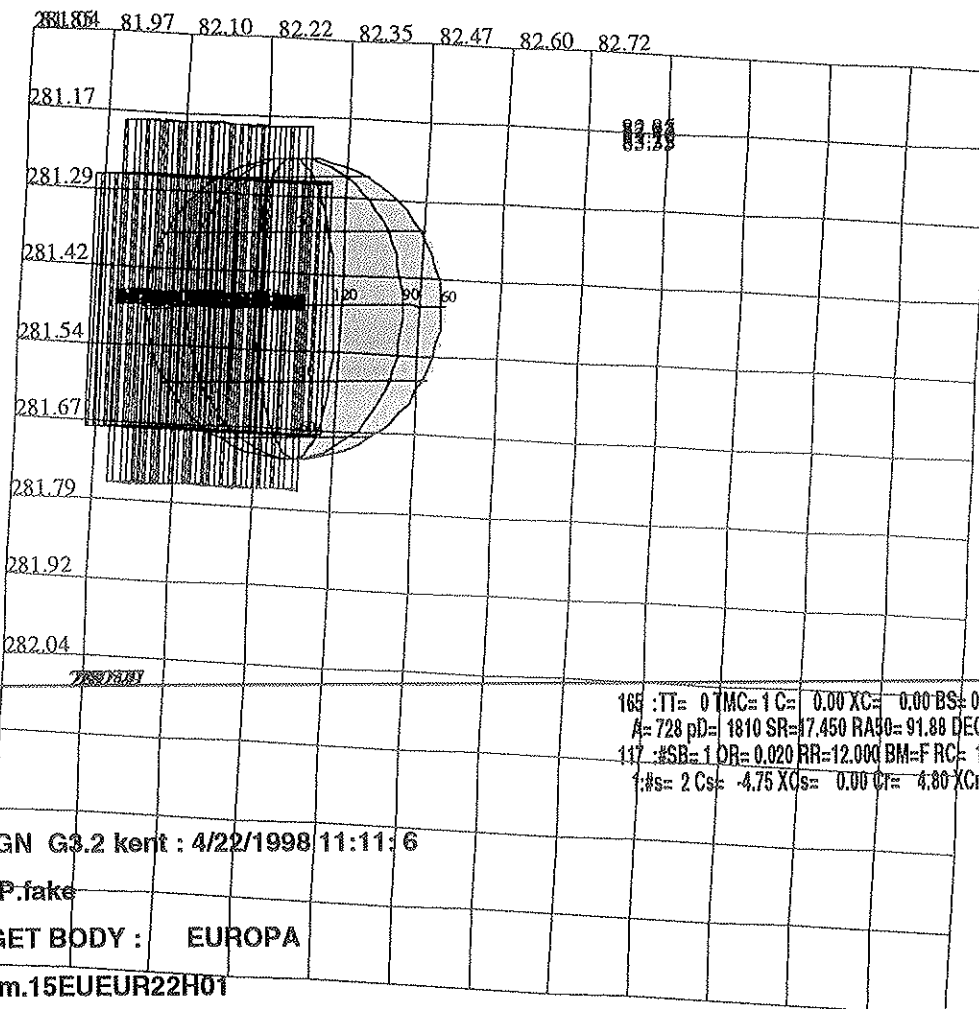
Mon May 4 23:00:47 1998

15ENEUR22H01



Start UJC_TIME : 1988-152 // 19:05:15.684
No End Time :
Start SCLK : 1/04500978:00:0:0

Target Body : EUROPA
Target Ra/Dec : 92.09 / 25.54 Deg
S/C to Body Center : 375203.5 Km (239.74667 Re)
Z-axis Pointing (Ra / Dec) : 175.44 / 4.46 Deg



/C EPH:/DATA/NAVIO/T-980330-tour.NS

ERIAPSIS:

THINNING:NIM 2 :UVS 1

TART:EEE 98-151/21:12:55.800 +CDS 1298:00:0 BODY PLOT TIME:TARGET-TIME D= 1810 S= 0.400