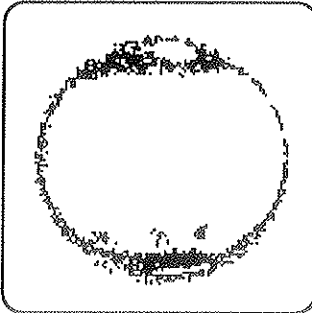


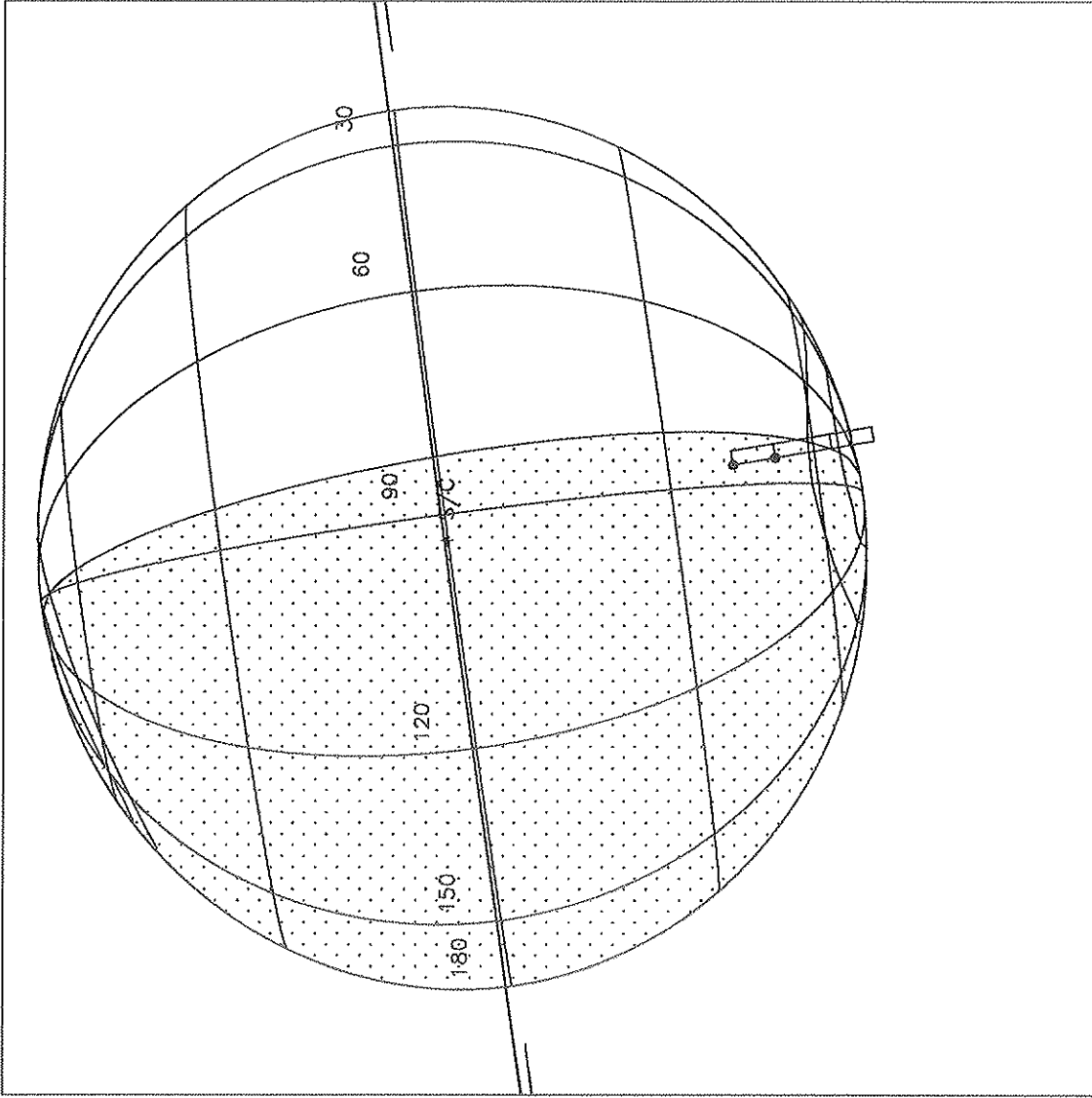
Aurora south

ACTIVITY ID: 17JUAURORA_S-

START TIME: 98-268/04:45:24.667

Activity ID: Orblt 17		OAPEL JUAURORA		SeqNo _S-	
Title	Aurora south			Instrument	UVS
Requestor	UVS-AWG/W. KENT TOBISKA	Team	UVS	Working Group	AWG
Time System	CDS	Load ID	17A	Calendar Date	09/25/98
				Week	39
Start	JEE-CDS 00001643:00:0		98-268/04:45:24.667		JEE-001/03:41:15.333
End	JEE-CDS 00001573:00:0		98-268/05:56:11.334		JEE-001/02:30:28.666
Duration	00000070:00:0		000/01:10:46.667		000/01:10:46.667
Top Label	17JUAURORA_S-				
Bottom Label	realtime				
Plot Key	UVS	Type	SCI		
CDS Bytes	176	Report Options	BOTH	Scan Platform	Yes
CDS Source	OAP	Spin State	DUAL	DMS	No
Observation Objective					
	Southern Jupiter aurora observations of Lyman-a and H2 emissions above cone 70 (F/G) near the 80 (S) longitude. We will attempt to capture the Io fluxtube footprint (IPT) and any fluxtube that maps from Europa to Jupiter to understand long-term magnetosphere and Jovian upper atmosphere interaction. This is a realtime observation for 1.0 hours using F/G full-scans at a distance from Jupiter = 18.5 Rj.				
	Resource usage: CDS bytes = 176 MBTG = 0.035424 S/P = 64 RIMS DMS = none Time = 64 RIMS				
GEM Objective Phase 1 - Magnetospheric interactions Phase 2 - none Phase 3 - none					
[NOTE: waiver G-14 for cone 32.]					
Design Detail					
PSID	CDS	RIM	COMMAND PARAMETERS		
384AA	00	00:00	COMMNT UVS RIM 0		
157AA	38	09:00	CMDRS PLAN_DUR = 61 RIMS; EST_UVS_CMDS = 2 {34UVS}		
		10:00	1 UVF:07,SCAN,NORM,NORM,NORM,SAME,0,ON,OFF,ON,ON,OFF,NOOVR,1,00,9C,01,2C		
		70:00	61 OFF:C1,FIXED,NORM,NORM,NORM,SAME,0,OFF,OFF,ON,OFF,OFF,NOOVR,1,2C,05,00,00		
349AA	28	09:69	UVFLSH DISCRD,UVS		
165AA	54	10:00	TARGET Lat/Lon = -60/80 TMC active (RA/Dec = 248.95/-26.24) (Pos_slw_alloc=10)		
349AB	28	39:69	UVFLSH PACKET,UVS (1)		
349AC	28	69:69	UVFLSH PACKET,UVS (2)		

Sun Aug 16 18:42:05 1998



Start UTC_TIME : 1998-268 // 04:51:28.667

No End Time :

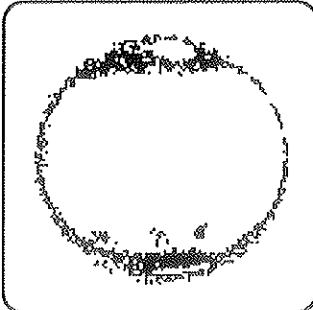
Start SCLK : 1/04665338:08:4:0

Target Body : JUPITER

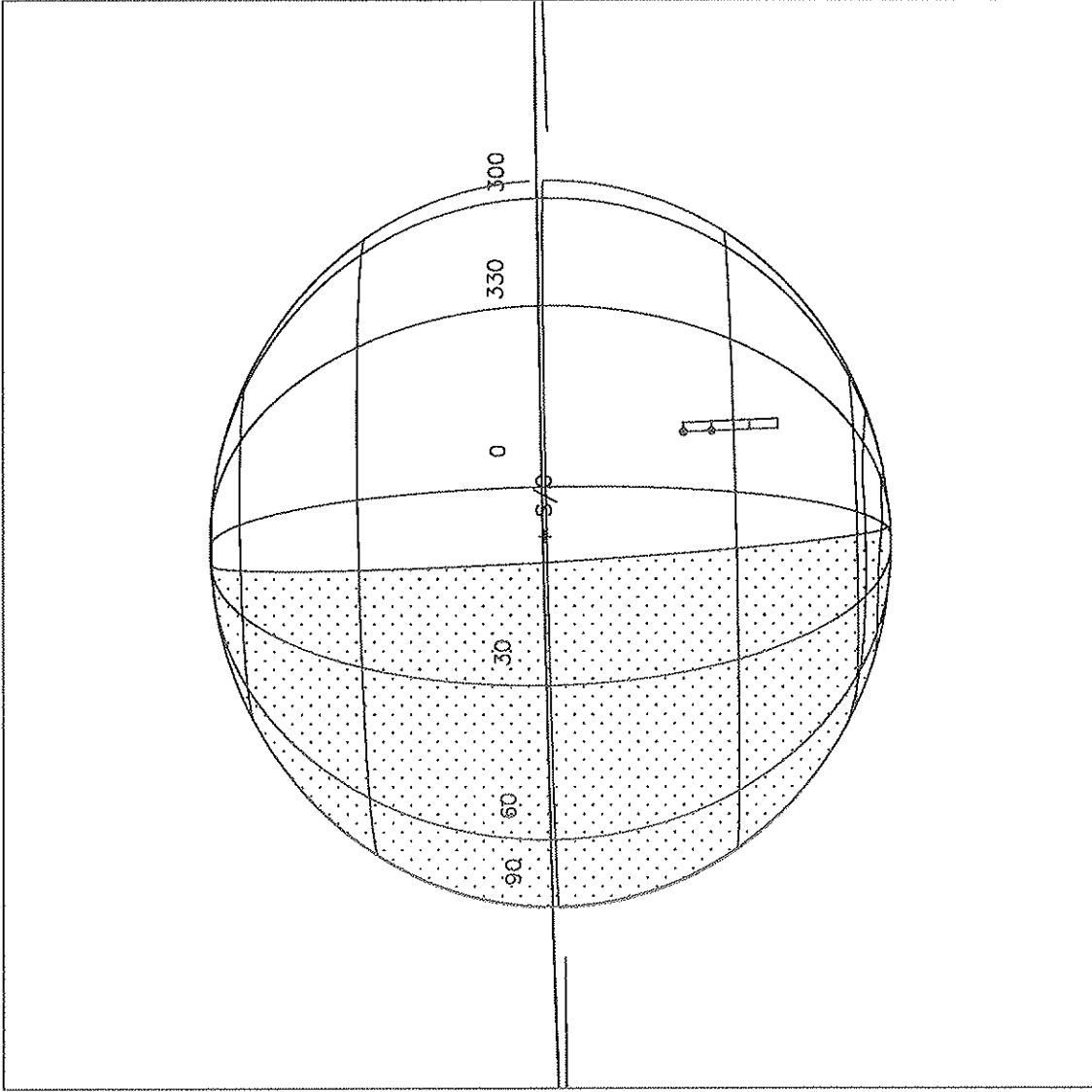
Target Ra/Dec : 249.76/-23.80 Deg

S/C to Body Center : 1324287. Km (18.523575 Rj)

Z-axis Pointing (Ra / Dec) : 170.31 / 5.82 Deg

Activity ID: Orbit 17		OAPEL JUFEATUR		SeqNo 01-	
Title		Feature campaign White Oval		Instrument UVS	
Requestor		UVS-AWG/W. KENT TOBISKA		Team UVS	
				Working Group AWG	
Time System CDS		Load ID 17A		Calendar Date 09/25/98	
				Week 39	
Start		JEE-CDS 00001165:00:0		98-268/12:48:43.334	
				JEE-000/19:37:56.666	
End		JEE-CDS 00001158:00:0		98-268/12:55:48.000	
				JEE-000/19:30:52.000	
Duration		00000007:00:0		000/00:07:04.666	
				000/00:07:04.666	
Top Label		17JUFEATUR01-			
Bottom Label		realtime			
Plot Key		UVS		Type SCI	
CDS Bytes		241		Report Options BOTH	
				Scan Platform No	
CDS Source		OAP		Spin State DUAL	
				DMS No	
Observation Objective					
		White ovals: AWG feature campaign recovering E16 to study the role and abundance of water in Jupiter's atmosphere. This is a realtime observation using a full F/F scan at a distance from Jupiter = 14.7 Rj. SSI has a 3x1 (17JSWTOVAL01). Oval lat/lon=-33/350-357 planetographic.			
		Resource usage: CDS bytes = 241 MBTG = 0.053136 (3 flushes) S/P = 7 RIMs DMS = none Time = 7 RIMs			
		GEM Objective Phase 1 - none Phase 2 - Water on Jupiter Phase 3 - none			
Design Detail					
PSID	CDS	RIM	COMMAND PARAMETERS		
384AB	00	00:00	COMMNT UVS RIM 0		
157AB	38	00:00	CMDRS PLAN_DUR = 7 RIMS; EST_UVS_CMDS = 2 (34UVS)		
		01:00	1 UVF:07,SCAN,NORM,NORM,NORM,SAME,0,ON,OFF,OFF,ON,OFF,NOOVR,1,00,9C,00,00		
		07:00	7 OFF:C1,FIXED,NORM,NORM,NORM,SAME,0,OFF,OFF,ON,OFF,OFF,NOOVR,1,2C,05,00,00		
349AD	28	-01:69	UVFLSH DISCRD,UVS		
165AB	54	01:00	TARGET Lat/Lon = -33/348 TMC (RA/Dec = 263.94/-26.69) (1 RIM POS_SLW_ALLOC)		
117AB	37	01:00	CSMOS 3 slews (1 subcsmos)		
349AE	28	01:69	UVFLSH PACKET,UVS (1) -33/348		
349AF	28	03:69	UVFLSH PACKET,UVS (2) -33/355		
349AG	28	05:69	UVFLSH PACKET,UVS (3) -33/004		

Sun Aug 16 18:44:13 1998



Start UTC_TIME : 1998-268 // 12:48:43.334

No End Time :

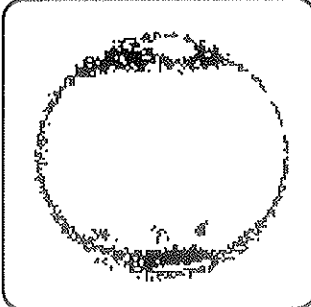
Start SCLK : 1/04666810:08:4:2

Target Body : JUPITER

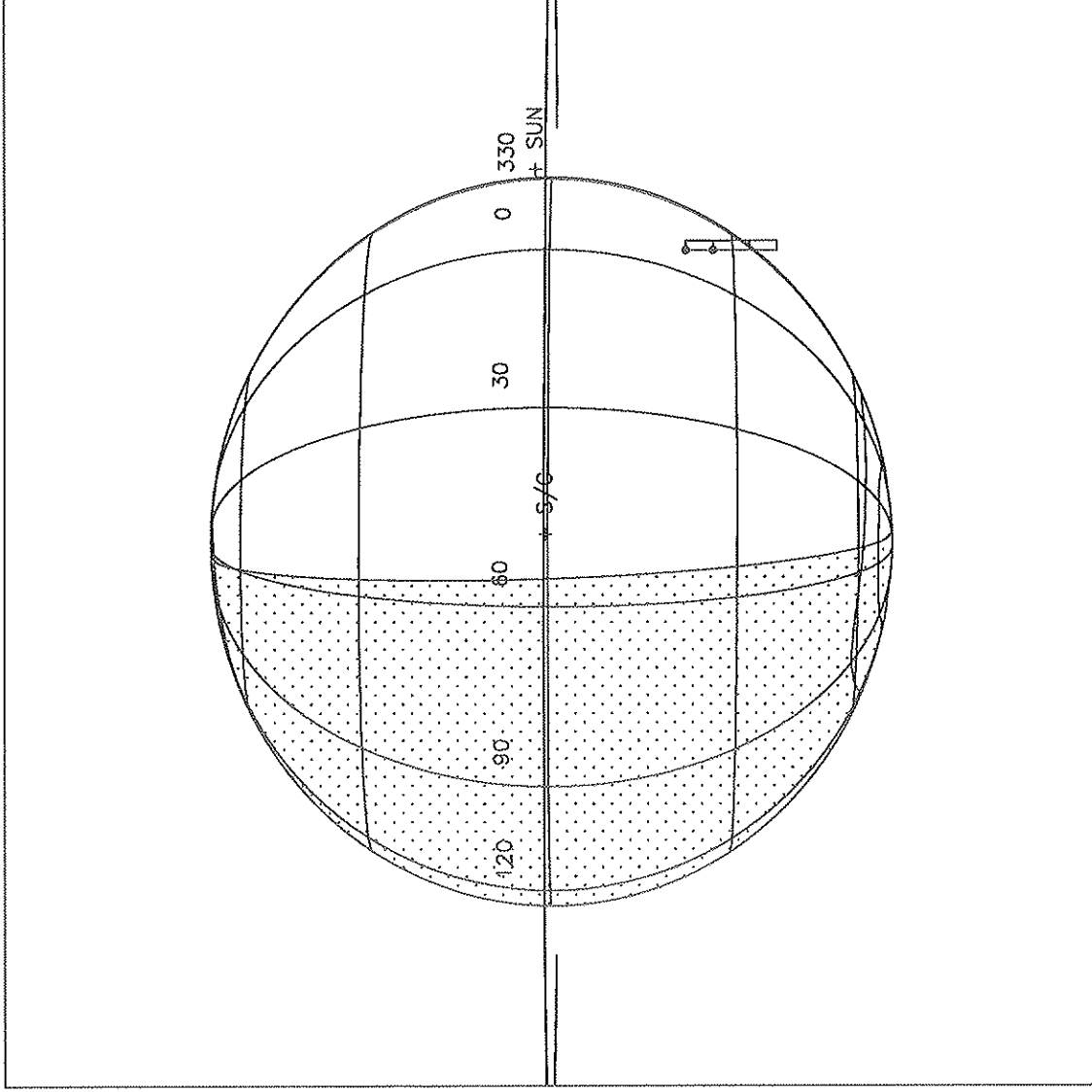
Target Ra/Dec : 265.36 / -24.81 Deg

S/C to Body Center : 1069549. Km (14.960400 Rj)

Z-axis Pointing (Ra / Dec) : 170.31 / 5.82 Deg

Activity ID:	Orblt 17	OAPEL	JUFEATUR	SeqNo	02-
Title	Feature campaign White Oval			Instrument	UVS
Requestor	UVS-AWG/W. KENT TOBISKA	Team	UVS	Working Group	AWG
Time System	CDS	Load ID	17A	Calendar Date	09/25/98
		Week			39
Start	JEE-CDS 00001092:00:0		98-268/14:02:32.000		JEE-000/18:24:08.000
End	JEE-CDS 00001085:00:0		98-268/14:09:36.667		JEE-000/18:17:03.333
Duration	00000007:00:0		000/00:07:04.667		000/00:07:04.667
Top Label	17JUFEATUR02-				
Bottom Label	realtime				
Plot Key	UVS	Type	SCI		
CDS Bytes	241	Report Options	BOTH	Scan Platform	No
CDS Source	OAP	Spin State	DUAL	DMS	No
Observation Objective					
 <p>White ovals: AWG feature campaign recovering E16 to study the role and abundance of water in Jupiter's atmosphere. This is a realtime observation using a full F/F scan at a distance from Jupiter = 14.4 Rj. SSI has a 3x1 (17JSWTOVAL02). Oval lat/lon=-33/350-357 planetographic.</p> <p>Resource usage: CDS bytes = 241 MBTG = 0.053136 (3 flushes) S/P = 7 RIMS DMS = none Time = 7 RIMS</p> <p>GEM Objective Phase 1 - none Phase 2 - Water on Jupiter Phase 3 - none</p>					
Design Detail					
PSID	CDS	RIM	COMMAND	PARAMETERS	
384AC	00	00:00	COMMNT	UVS RIM 0	
157AC	38	00:00	CMDRS	PLAN_DUR = 7 RIMS; EST_UVS_CMDS = 2 (34UVS)	
		01:00	1	UVF:07,SCAN,NORM,NORM,NORM,SAME,0,ON,OFF,OFF,ON,OFF,NOOVR,1,00,9C,00,00	
		07:00	7	OFF:C1,FIXED,NORM,NORM,NORM,SAME,0,OFF,OFF,ON,OFF,OFF,NOOVR,1,2C,05,00,00	
349AH	28	-01:69	UVPLSH	DISCRD,UVS	
165AC	54	01:00	TARGET	Lat/Lon = -33/339 TMC (RA/Dec = 264.85/-26.74) (1 RIM POS_SLW_ALLOC)	
117AC	37	01:00	CSMOS	3 slews (1 subcsmos)	
349AI	28	01:69	UVPLSH	PACKET,UVS (1) -33/338	
349AJ	28	03:69	UVPLSH	PACKET,UVS (2) -33/355	
349AK	28	05:69	UVPLSH	PACKET,UVS (3) -33/006	

Sun Aug 16 18:46:11 1998



Start UTC_TIME : 1998-268 // 14:02:32.000
No End Time :
Start SCLK : 1/0465883:08:4:2

Target Body : JUPITER
Target Ra/Dec : 268.48 / -24.81 Deg
S/C to Body Center : 1030547. Km (14.414861 Rj)
Z-axis Pointing (Ra / Dec) : 170.31 / 5.82 Deg