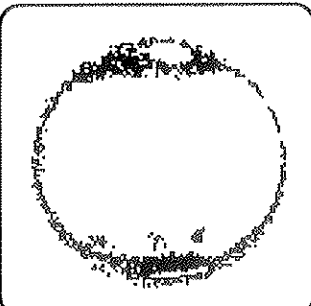


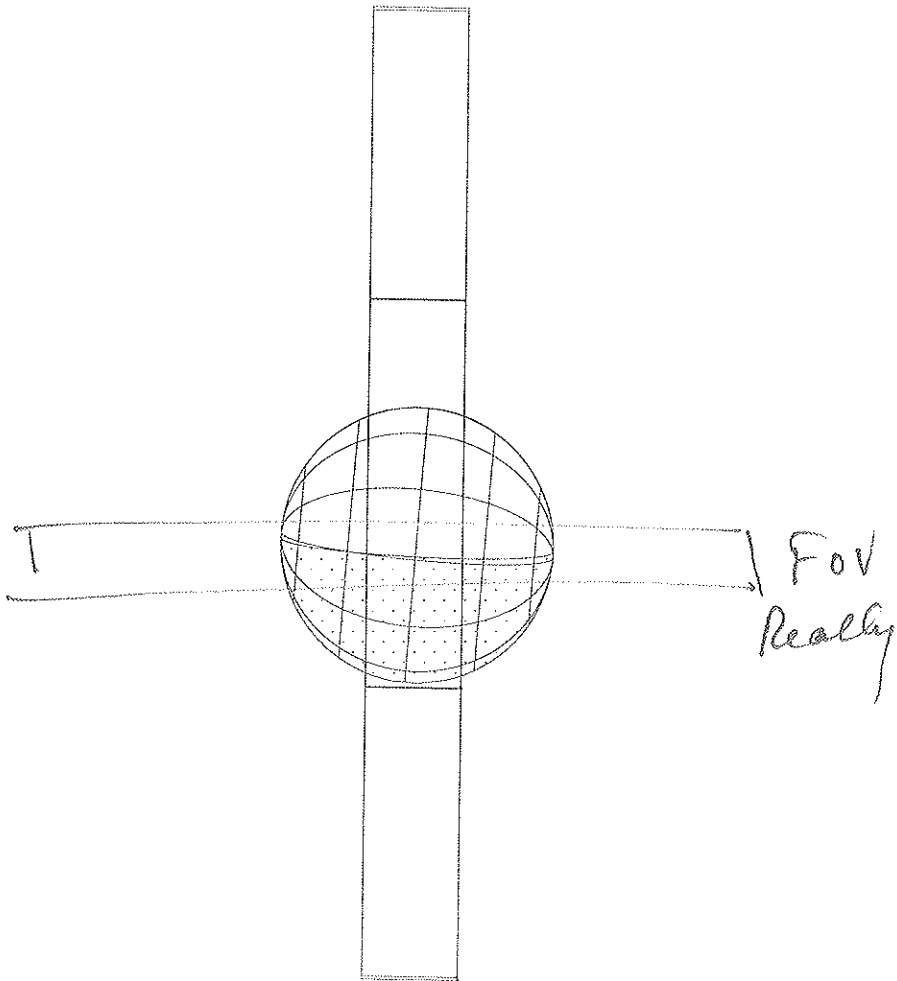
NOTE: SLIT ORIENTATION
ON GRAPHICS IS INCORRECT;
SLIT CENTER LOCATION IS
CORRECT. ALIGN SLIT WITH
N/S AXIS.

KES

Activity ID: Orbit 19		OAPEL EUSURFAC		SeqNo 01-	
Title	UVS Europa Surface Observation 1			Instrument	UVS
Requestor	UVS-SWG/W. SWEET X30523	Team	UVS	Working Group	SWG
Time System	CDS	Load ID	19A	Calendar Date	01/31/99
				Week	57
Start	JEE-CDS 00001424:00:0		99-031/05:01:58.067		JEE-000/23:59:49.333
End	JEE-CDS 00001366:00:0		99-031/06:00:36.734		JEE-000/23:01:10.666
Duration	00000058:00:0		000/00:58:38.667		000/00:58:38.667
Top Label	19EUSURFAC01-				
Bottom Label	real-time				
Plot Key	UVS	Type	SCI		
CDS Bytes	148	Report Options	BOTH	Scan Platform	Yes
CDS Source	OAP	Spin State	DUAL	DMS	No
Observation Objective					
	<p>19EUSURFAC01: We will observe Europa's surface at various longitudes and phase angles with TMC on to get good signal using F/F full scans. These observations will complement the nominal mission observations to derive phase curves for several locations on Europa, to understand how exogenic processes affect the surface scattering. We are interested in obtaining a high signal-to-noise at the shorter wavelengths (< 2200 Å) to see if Europa's surface has any distinctive features in this region. Observe Europa's surface for ~1 hour. Sunlight, 180° longitude, 85° phase</p>				
	<p>Rj = 16.7 UVS configuration: full F/G scan MBTG = 17712 bits/flush * 1 flush = 0.018</p>				
POINTER		SEQ			
CDS RIM COMMAND PARAMETERS			Design Detail		
0	000	COMMENT UVS RIM 0		(384CB)	
28	001	+UVFLUSH DISCRD,UVS		(349CG)	
38	001	CMDRS		(157CB)	
	002	1 34UVS,07,S,N,N,N,S,0, ON,OFF, ON, ON,OFF,NOOVR,1,00,9C,01,2C			
	058	57 34UVS,C1,F,N,N,N,S,0,OFF,OFF, ON,OFF,OFF,NOOVR,1,2C,05,00,00			
54	002	TARGET TMC on body		(165CE)	(RA/Dec=280.74/-24.23)
28	057	+UVFLUSH PACKET,UVS		(349CH)	


Fri Dec 11 00:04:18 1998

19EUSURFAC01



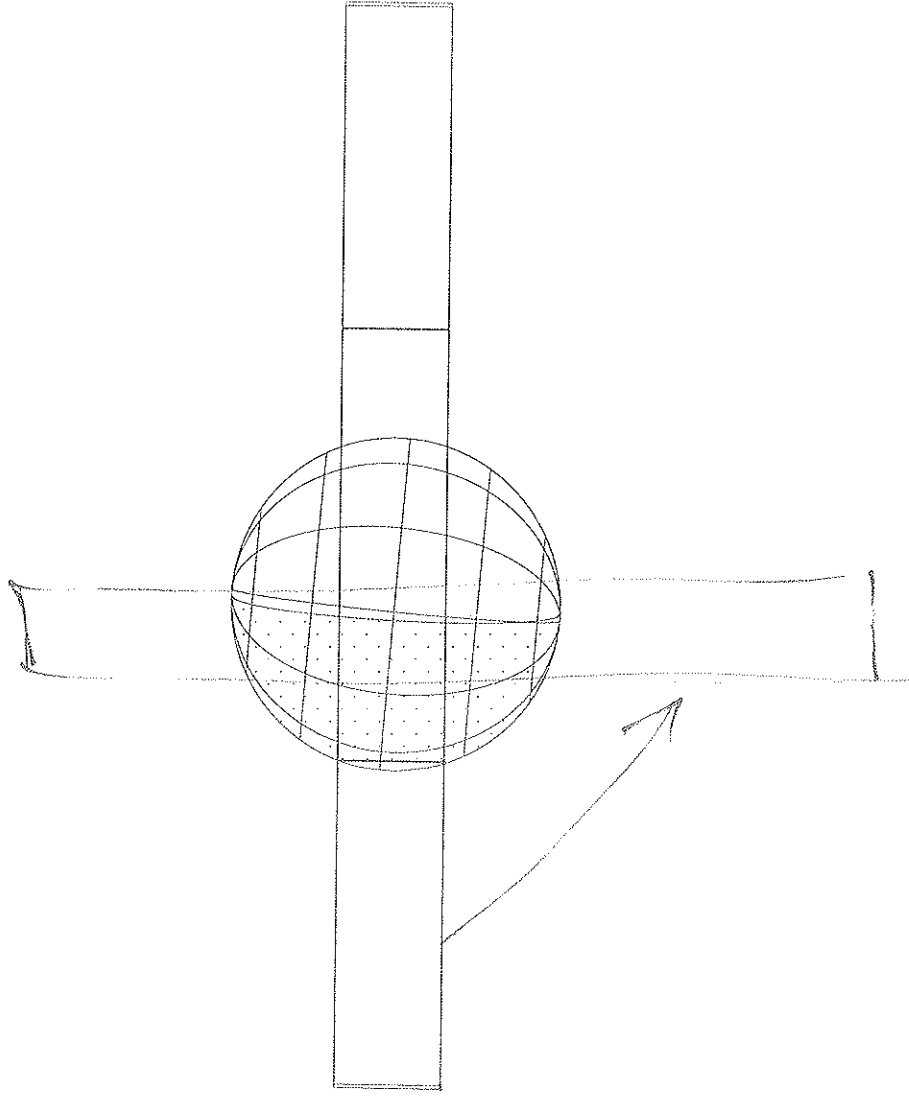
Start UFC_TIME : 1999-031 // 05:05:55.800
No End Time :
Start SCLK : 1/048#7647,00:0:0

Target Body : EUROPA
Target Ra/Dec : 280.82/-24.23 Deg
S/C to Body Center : 631343.3 Km (403.41422 Re)
Z-axis Pointing (Ra / Dec) : 165.00 / 60.50 Deg

Activity ID: Orbit 19	OAPEL EUATMOS_	SeqNo 01-
Title	UVS Europa Atmosphere Observation	Instrument UVS
Requestor	UVS-SWG/W. SWEET X30523	Team UVS
		Working Group SWG
Time System CDS	Load ID 19A	Calendar Date 01/31/99
		Week 57
Start	JEE-CDS 00001364:00:0	99-031/06:02:38.067
		JEE-000/22:59:09.333
End	JEE-CDS 00001097:00:0	99-031/10:32:36.067
		JEE-000/18:29:11.333
Duration	00000267:00:0	000/04:29:58.000
		000/04:29:58.000
Top Label	19EUATMOS_01-	
Bottom Label	real-time	
Plot Key	UVS	Type SCI
CDS Bytes	368	Report Options BOTH
		Scan Platform Yes
CDS Source	OAP	Spin State DUAL
		DMS No
Observation Objective		
	19EUATMOS_01: Europa atmosphere observation. We will look for Europa atmospheric emissions (oxygen, hydrogen and sulfur, as well as other possibilities). We will also monitor the tenuous atmosphere for possible outgassing episodes. Observe Europa's atmosphere for ~4 1/2 hours. Sunlight, 140' longitude. First 3 hours, stare at Europa. 1216-1302 1 1/2 hrs 1356-1356 1 1/2 hrs Third 1 hour: -8 radii from Europa 1356 background Fourth 1/2 hour: -8 radii from Europa Lya background Rj = 14.9 UVS configuration: 1356-1479 Å 22 step G/G mini-scan MBTG = 17712 bits/flush * 5 flushes = 0.089	
	POINTER SEQ	
Design Detail		
CDS RIM	COMMAND PARAMETERS	RSID
0	000 COMMENT UVS RIM 0	(384CA)
28	003+UVFLUSH DISCRD, UVS	(349CA)
66	003 CMDRS	(157CA)
004	1 34UVS, D1, F, N, N, N, S, 0, OFF, OFF, ON, ON, OFF, NOOVR, 1, 5A, 45, 00, 39	-1216-1304
094	91 34UVS, D1, F, N, N, N, S, 0, OFF, OFF, ON, ON, OFF, NOOVR, 1, B6, 45, 00, 00	-1356
244	241 34UVS, D1, F, N, N, N, S, 0, OFF, OFF, ON, ON, OFF, NOOVR, 1, 5A, 45, 00, 39	
267	264 34UVS, C1, FI, N, N, N, S, 0, OFF, OFF, ON, OFF, OFF, NOOVR, 1, 2C, 05, 00, 00	
54	004 TARGET TMC on body	(165CA) (RA/Dec=281.27/-24.18)
28	092+UVFLUSH PACKET, UVS	(349CB)
54	094 TARGET TMC on body	(165CB) (RA/Dec=281.83/-24.12)
28	182+UVFLUSH PACKET, UVS	(349CD)
54	184 TARGET with TMC +8 radii off body	(165CC) (RA/Dec=284.36/-23.95)
28	242+UVFLUSH PACKET, UVS	(349CE)
28	266+UVFLUSH PACKET, UVS	(349CF)

Fri Dec 11 00:07:21 1998

19EUATMOS_01_

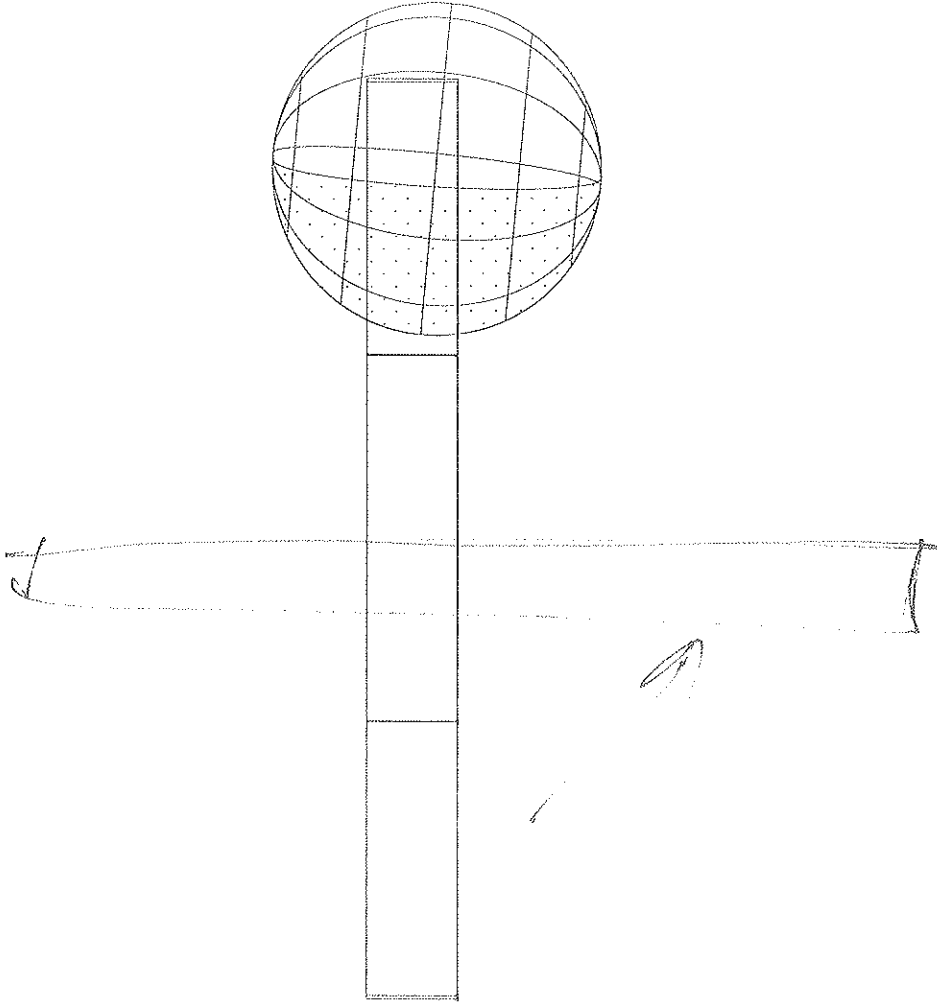


Start UTC_TIME : 1999-031 // 06:06:35.798
No End Time :
Start SCLK : 1/04847707:00:0:0

Target Body : EUROPA
Target Ro/Dec : 281.33/-24.18 Deg
S/C to Body Center : 583392.4 Km (372.77+68 Re)
Z-axis Pointing (Ro / Dec) : 165.00 / 60.50 Deg

Fri Dec 11 00:09:00 1998

19EUATMOS_01_2



Start UTC_TIME : 1999-031 // 08:06:35.127

No End Time :

Start SOLK : 1/04847826:00:0:0

Target Body : EUROPA

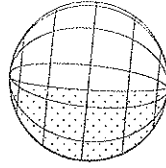
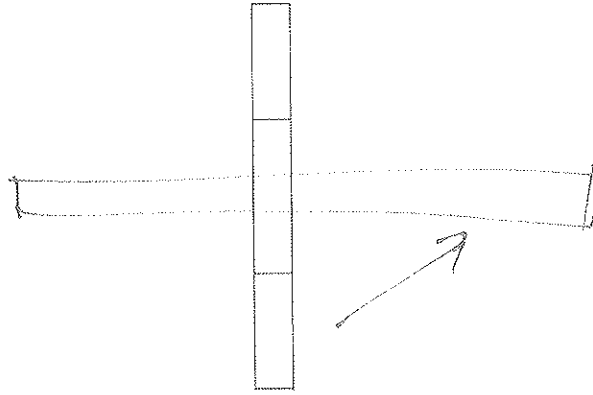
Target Ra/Dec : 282.01/-24.12 Deg

S/C to Body Center : 494343.5 Km (315.87443 Re)

Z-axis Pointing (Ra / Dec) : 165.00 / 60.50 Deg

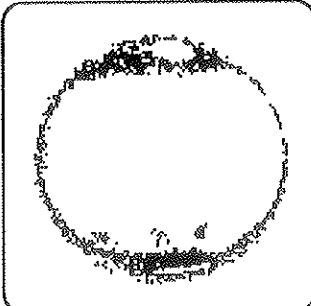
Fri Dec 11 00:10:48 1998

19EUATMOS_01_L3



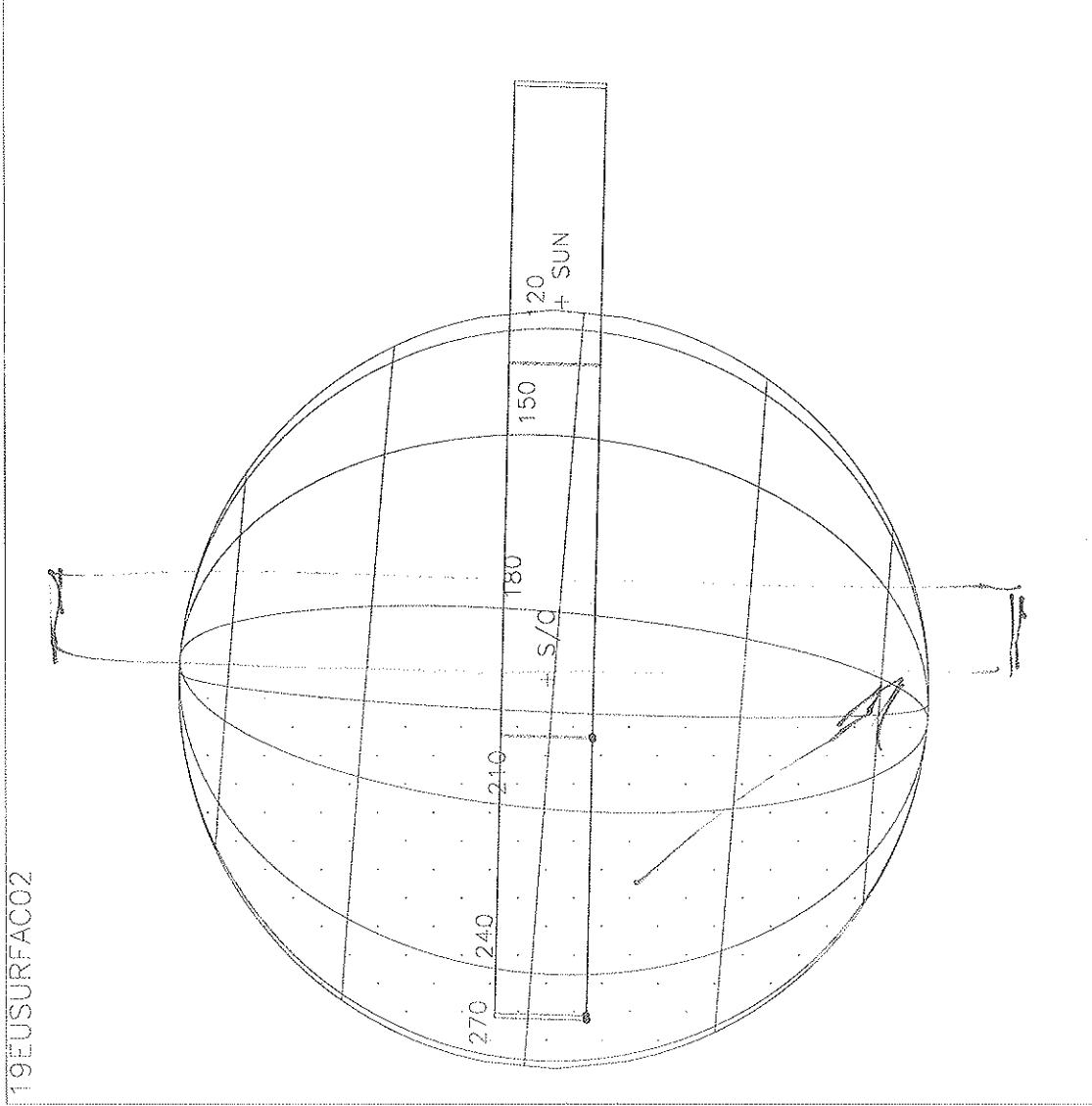
Start UTC TIME : 1999-031 // 09:38:55.790
No End Time :
Start SCLK : 1/04847917:00:0:0

Target Body : EUROPA
Target Rc/Dec : 282.18/-24.10 Deg
S/C to Body Center : 431860.9 Km (275.94949 Re)
Z-axis Pointing (Rc / Dec) : 165.00 / 60.50 Deg

Activity ID: Orbit 19		OAPEL EUSURFAC		SeqNo 02-	
Title	UVS Europa Surface Observation 2			Instrument	UVS
Requestor	UVS-SWG/W. SWEET X30523	Team	UVS	Working Group	SWG
Time System	CDS	Load ID	19A	Calendar Date	01/31/99
				Week	57
Start	JEE-CDS 00000771:00:0		99-031/16:02:13.400		JEE-000/12:59:34.000
End	JEE-CDS 00000711:00:0		99-031/17:02:53.400		JEE-000/11:58:54.000
Duration	00000060:00:0		000/01:00:40.000		000/01:00:40.000
Top Label	19EUSURFAC02-				
Bottom Label	real-time				
Plot Key	UVS	Type	SCI		
CDS Bytes	148	Report Options	BOTH	Scan Platform	Yes
CDS Source	OAP	Spin State	DUAL	DMS	No
Observation Objective					
		<p>19EUSURFAC02: We will observe Europa's surface at various longitudes and phase angles with TMC on to get good signal using F/N full scans. These observations will complement the nominal mission observations to derive phase curves for several locations on Europa, to understand how exogenic processes affect the surface scattering. We are interested in obtaining a high signal-to-noise at the shorter wavelengths (< 2200 Å) to see if Europa's surface has any distinctive features in this region. Observe Europa's surface for ~ 1 hour. Brightside, at 190° longitude, 84° phase (may be saturated N channel; Amanda expects 6E8 cts where the previous maximum in 1 orbit was 1.5E8).</p>			
		<p>Rj = 12.0 (waiver G-15) UVS configuration: full F/N scan. MBTG = 17712 bits/flush * 1 flush = 0.018</p>			
<p>POINTER SEQ</p>		Design Detail			
CDS RIM	COMMAND	PARAMETERS	EGTD		
0	000	COMMENT UVS RIM 0	(384CC)		
28	003	+UVFLUSH DISCRD, UVS	(349CI)		
38	003	CMDRS	(157CC)		
	004	1 34UVS, 07, S, N, N, N, S, 0, ON, ON, OFF, ON, OFF, NOOVR, 1, 00, 9C, 01, 2C			
	000	57 34UVS, C1, F, N, N, N, S, 0, OFF, OFF, ON, OFF, OFF, NOOVR, 1, 2C, 05, 00, 00			
54	004	TARGET with TMC on body	(165CF) (RA/Dec=279.16/-24.46)		
28	059	+UVFLUSH PACKET, UVS	(349CJ)		

Fri Dec 11 00:12:24 1998

19EUSURFAC02



*John E. A.
6.11.98*

Start UFC_TIME : 1999-031 // 16:06:11.110
No End Time :
Start SCLK : 1/04848300:00:0:0

Target Body : EUROPA
Target Ra/Dec : 279.29 / -24.47 Deg
S/C to Body Center : 221759.4 Km (141.69933 Re)
Z-axis Pointing (Ra / Dec) : 165.00 / 60.50 Deg