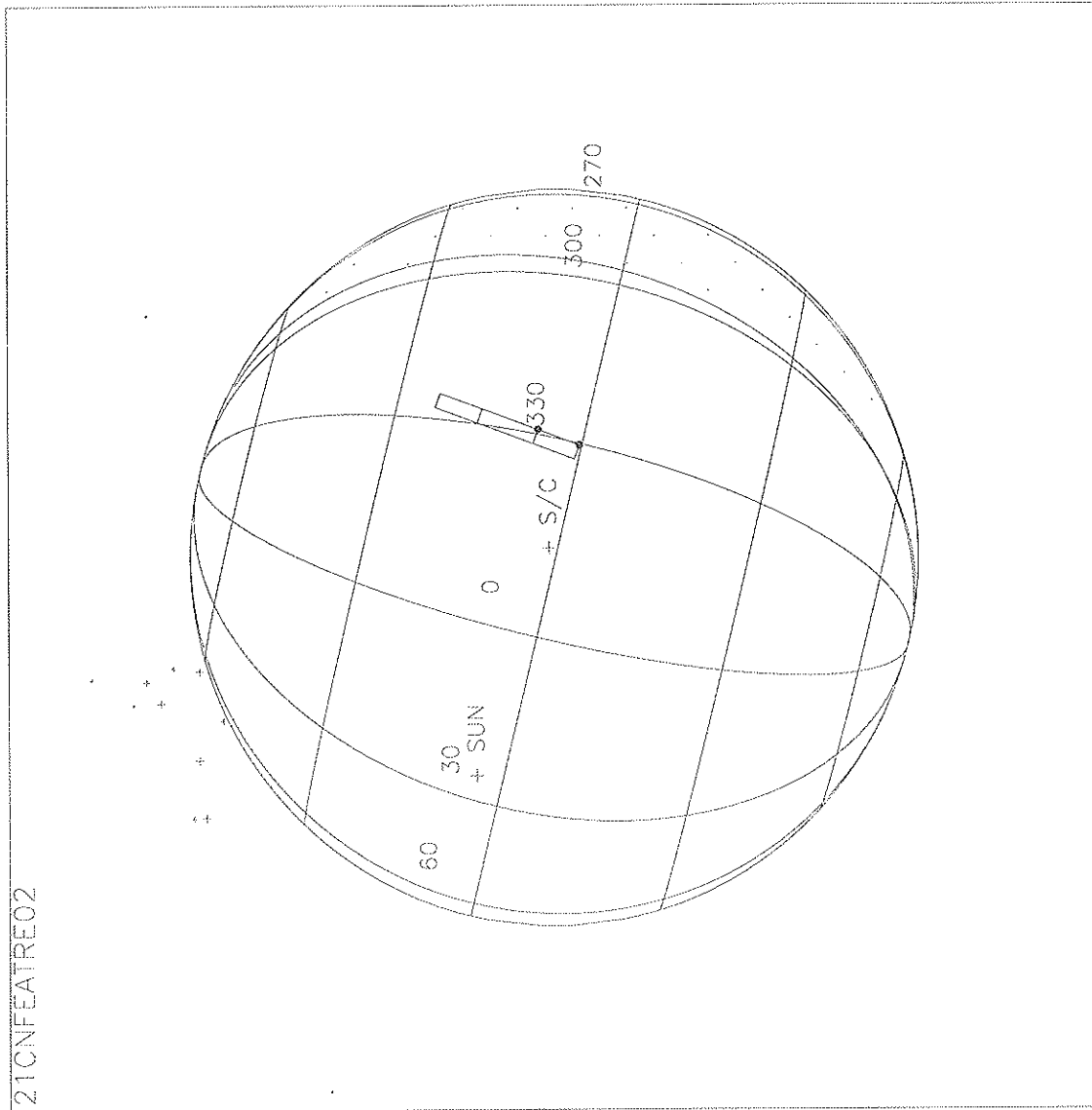


Activity ID: Orbit 21		OAPEL CUFEATRE		SeqNo 02+	
Title		r/a Callisto Feature Observation		Instrument UVS	
Requestor		UVS-SWG/W. SWEET X30523		Team UVS	
				Working Group SWG	
Time System	CDS	Load ID	21A	Calendar Date	06/30/99
				Week	78
Start	CEE+CDS 00000108:00:0		99-181/09:32:26.466	CEE+000/01:49:12.000	
End	CEE+CDS 00000132:00:0		99-181/09:56:42.466	CEE+000/02:13:28.000	
Duration	00000024:00:0		000/00:24:16.000	000/00:24:16.000	
Top Label	21CUFEATRE02+				
Bottom Label	NIMS ride-along				
Plot Key	UVS	Type	SCI		
CDS Bytes	38	Report Options	BOTH		Scan Platform Yes
CDS Source	OAP	Spin State	DUAL		DMS Yes
Observation Objective					
<div style="border: 1px solid black; padding: 5px;"> <p>21CUFEATRE03: Ride-along with NIMS 21CNFEATRE03 to observe Callisto features in the MUV at phase angles not obtainable from Earth. Data will complement the NIMS surface property measurements.</p> <p>Rj = 25.6 UVS configuration: full F/F scans.</p> <p>((1008 bps) * (1201)) * 0.333 (compression) = 0.404 mbtg</p> </div>					
Design Detail					
CDS	RIM COMMAND	PARAMETERS	PSID		
0	000	COMMENT UVS RIM 0	(384CB)		
38	002	CMDRS	(157CB)		
	003	1 34UVS,07,S,N,N,N,S,0,	ON,OFF,OFF, ON,OFF,NOOVR,1,00,9C,00,00		
	023	21 34UVS,07,S,N,N,N,S,0,	ON,OFF,OFF,OFF,OFF,NOOVR,1,00,9C,00,00		

Thu Jul 1 13:39:52 1999

21CNFEATRE02



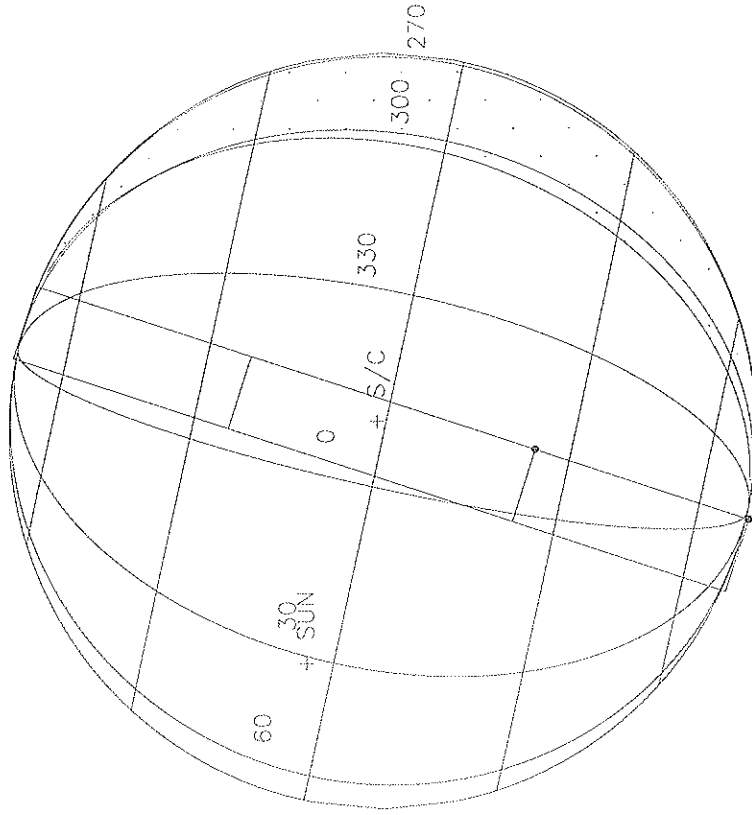
Start UTC_TIME : 1999-181 // 09:36:24.057
No End Time :
Start SCLK : 1/05061541:00:0:0

Target Body : CALLISTO
Target Rc/Dec : 54.65 / 21.55 Deg
S/C to Body Center : 55912.39 Km (23.267743 Rc)
Z-axis Pointing (Rc / Dec) : 206.53 / -9.70 Deg

Activity ID: Orbit 21		OAPEL CUATMOS_		SeqNo 01-	
Title	Callisto Atmosphere Observation			Instrument	UVS
Requestor	UVS-SWG/W. SWEET X30523	Team	UVS	Working Group	SWG
Time System	CDS	Load ID	21A	Calendar Date	06/30/99 Week 78
Start	CEE+CDS 0000532:00:0		99-181/16:41:09.132		CEE+000/08:57:54.666
End	CEE+CDS 0000806:00:0		99-181/21:18:11.799		CEE+000/13:34:57.333
Duration	00000274:00:0		000/04:37:02.667		000/04:37:02.667
Top Label	21CUATMOS_01-				
Bottom Label	real-time				
Plot Key	UVS	Type	SCI		
CDS Bytes	558	Report Options	BOTH	Scan Platform	Yes
CDS Source	OAP	Spin State	DUAL	DMS	No
Observation Objective					
<div style="border: 1px solid black; padding: 5px;"> <p>21CUATMOS_01: Callisto atmosphere observation to study potential long-term variability. Observe Callisto's atmosphere for ~4 1/2 hours.</p> <p>Rj = 22.5</p> <p>1st 1 3/4 hours, on Callisto with 1304. 2nd 1 3/4 hours, on Callisto with 1356. 3rd 1 hour:</p> <p style="padding-left: 20px;">20 RIMs 2 slits off brt lmb w/ 1216 20 RIMs 1 radii off brt lmb w/ 1216 20 RIMs 3 radii off brt lmb w/ 1216</p> <p>1.7712 bits/flush * 5 flushes = 0.08856 mbtg</p> </div>					
Design Detail					
CDS	RIM	COMMAND	PARAMETERS	PSID	
0	000	COMMENT	UVS RIM 0	(384CE)	
28	003+	UVFLUSH	DISCRD,UVS	(349CA)	
66	003	CMDRS		(157CE)	
	004	1	34UVS,D1,F,N,N,N,S,0,OFF,OFF, ON, ON,OFF,NOOVR,1,94,45,00,00	(165CA)	RA/Dec=57.58/22.15
	109	106	34UVS,D1,F,N,N,N,S,0,OFF,OFF, ON, ON,OFF,NOOVR,1,B6,45,00,00	(165CK)	RA/Dec=57.64/22.16
	214	211	34UVS,D1,F,N,N,N,S,0,OFF,OFF, ON, ON,OFF,NOOVR,1,5A,45,00,00	(349CB)	
	274	271	34UVS,07,S,N,N,N,S,0, ON,OFF,OFF,OFF,OFF,NOOVR,1,00,9C,00,00	(165CL)	RA/Dec=57.68/22.16
54	004	TARGET	TMC on body	(349CC)	
54	074	TARGET	TMC on body	(165CB)	RA/Dec=57.19/22.02
28	107+	UVFLUSH	PACKET,UVS	(394CD)	
54	144	TARGET	TMC on body	(165CC)	RA/Dec=56.82/21.91
28	212+	UVFLUSH	PACKET,UVS	(349CE)	
54	214	TARGET	TMC +0.2 radii off body	(165CD)	RA/Dec=55.94/21.64
28	232+	UVFLUSH	PACKET,UVS	(349CF)	
54	234	TARGET	TMC +1 radii off body		
28	252+	UVFLUSH	PACKET,UVS		
54	254	TARGET	TMC +3 radii off body		
28	273+	UVFLUSH	PACKET,UVS		

Thu Jul 1 13:41:13 1999

2TCUATMOS_01_1



Start UTC_TIME : 1999-181 // 16:49:09.375

No End Time :

Start SCLK : 1/05061969:00:0:0

Target Body : CALLISTO

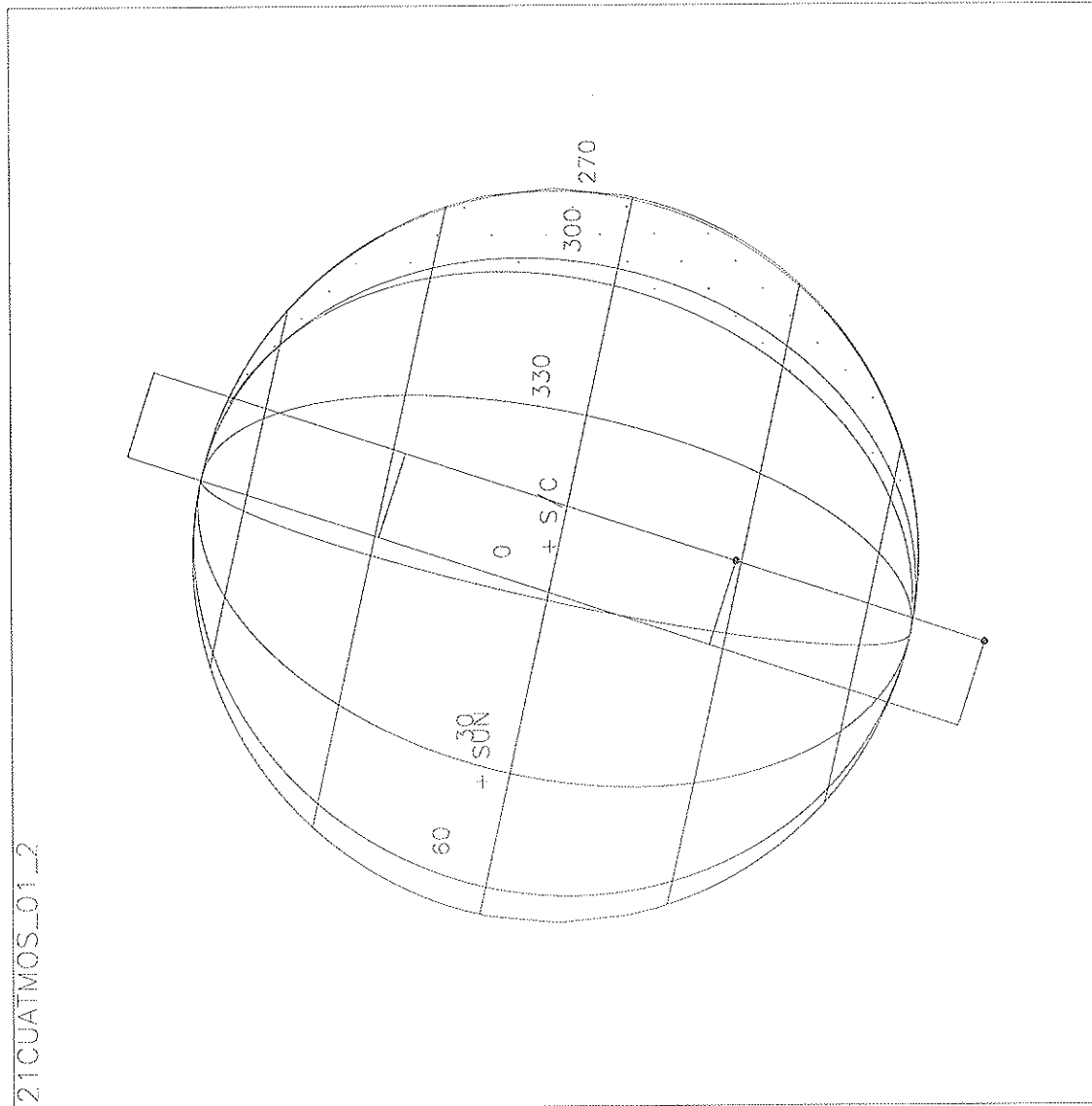
Target Ra/Dec : 57.57 / 22.15 Deg

S/C to Body Center : 275955.6 Km (114.83796 Rc)

Z-axis Pointing (Ra / Dec) : 206.53 / -9.70 Deg

Thu Jul 1 13:42:31 1999

21CUATMOS_01_2

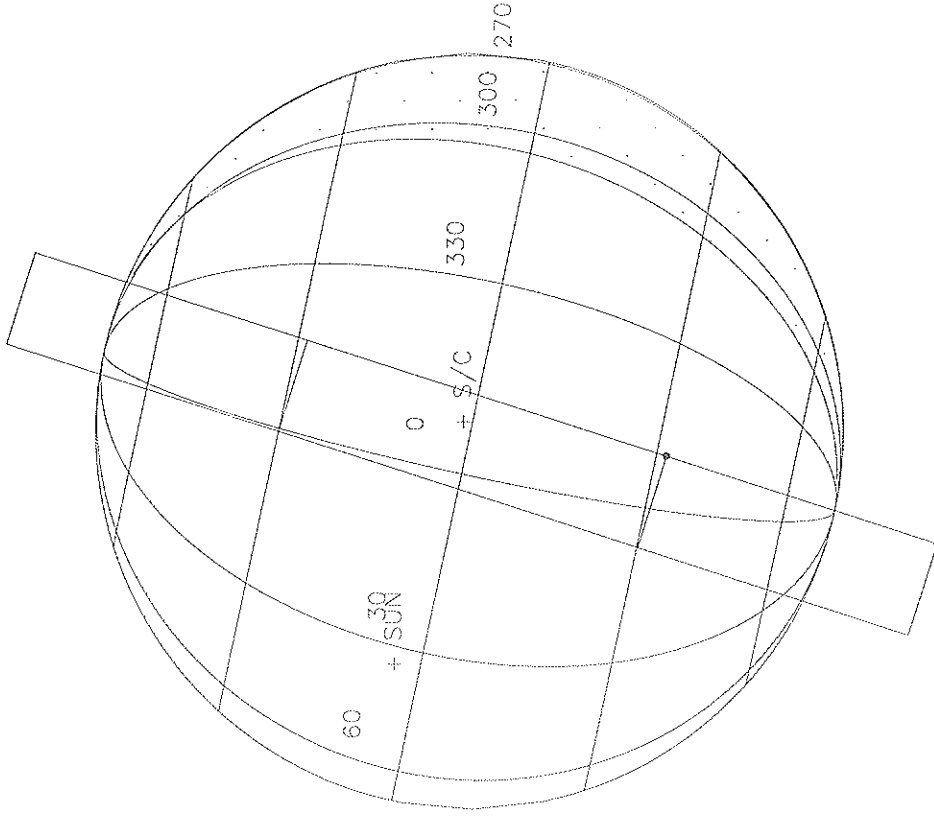


Start UTC_TIME : 1999-181 // 18:35:19.371
No End Time :
Start SCLK : 1/05062074:00:0:0

Target Body : CALLISTO
Target Ra/Dec : 57.65 / 22.16 Deg
S/C to Body Center : 330963.3 Km (137.72923 Rc)
Z-axis Pointing (Ra / Dec) : 206.53 / -9.70 Deg

Thu Jul 1 13:43:52 1999

ZTCUATMOS_01_3

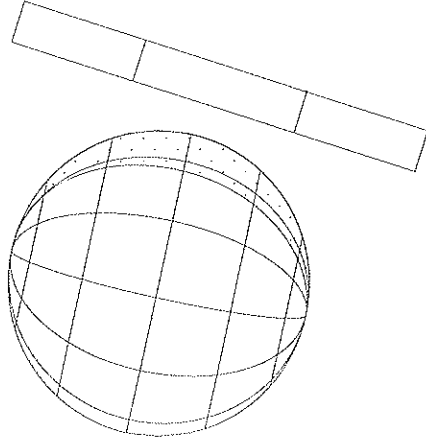


Start UTC_TIME : 1999-181 // 19:09:42.036
No End Time :
Start SCLK : 1/05062108:00:0:0

Target Body : CALLISTO
Target Ra/Dec : 57.66 / 22.16 Deg
S/C to Body Center : 348913.0 Km (145.19892 Rc)
Z-axis Pointing (Ra / Dec) : 206.53 / -9.70 Deg

Thu Jul 1 13:45:24 1999

21CUATMOS_01_L4

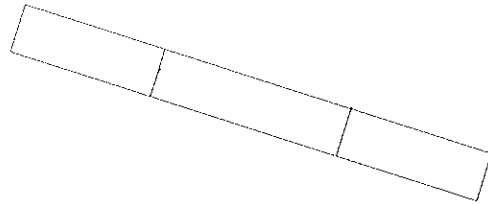
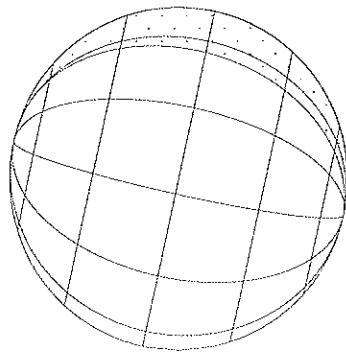


Start UTC_TIME : 1999-181 // 20:21:29.367
No End Time :
Start SCLK : 1/05062179:00:0:0

Target Body : CALLISTO
Target Rc/Dec : 57.68 / 22.17 Deg
S/C to Body Center : 386649.2 Km (160.90270 Rc)
Z-axis Pointing (Rc / Dec) : 206.53 / -9.70 Deg

Thu Jul 1 13:46:41 1999

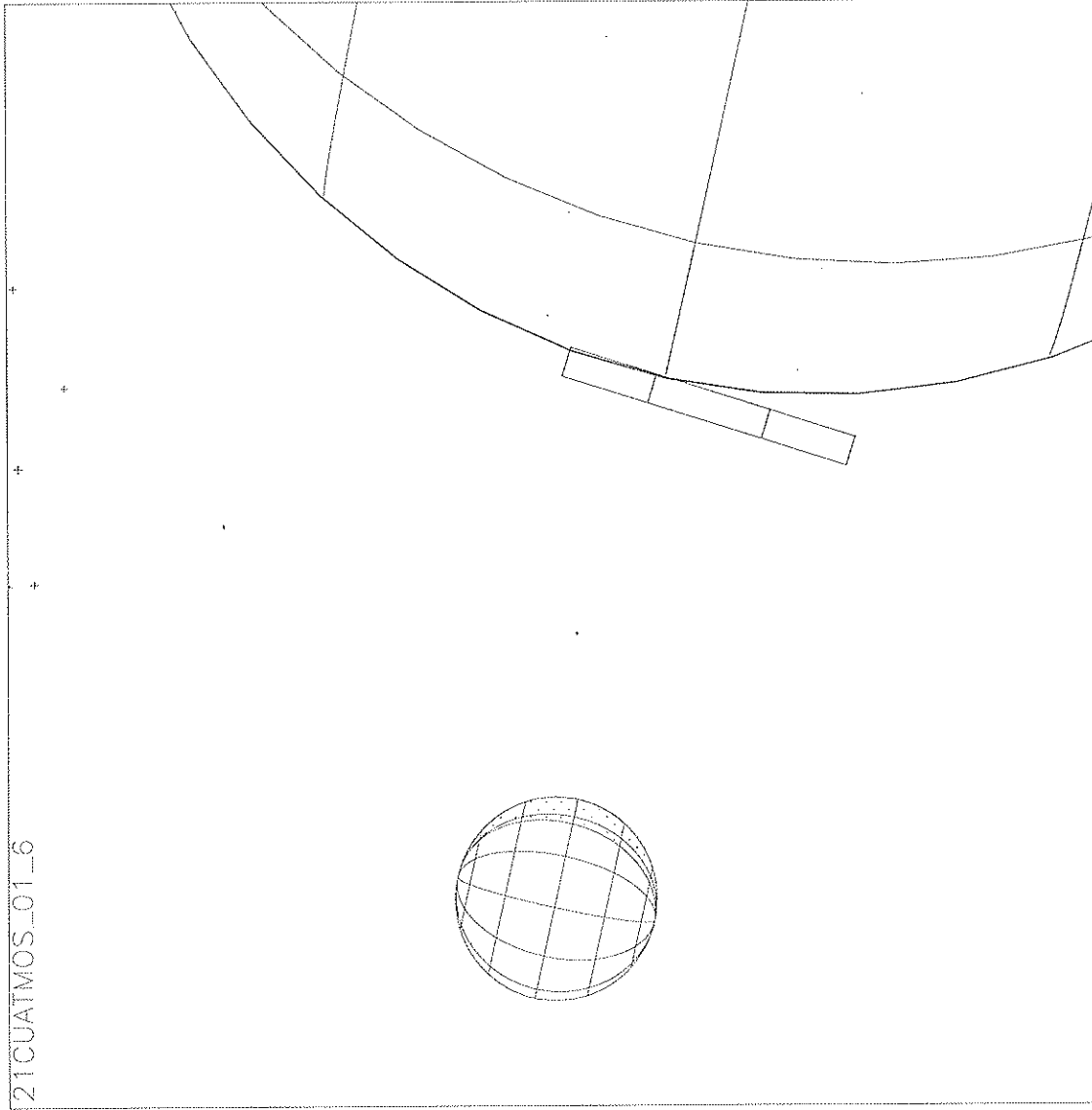
21CUATMOS_01_5



Start UTC_TIME : 1999-181 // 20:41:42.700
No End Time :
Start_SCLK : 1/05062199:00:0:0

Target Body : CALLISTO
Target Ra/Dec : 57.69 / 22.17 Deg
S/C to Body Center : 397346.5 Km (165.35434 Rc)
Z-axis Pointing (Ra / Dec) : 206.53 / -8.70 Deg

Thu Jul 1 13:47:55 1999



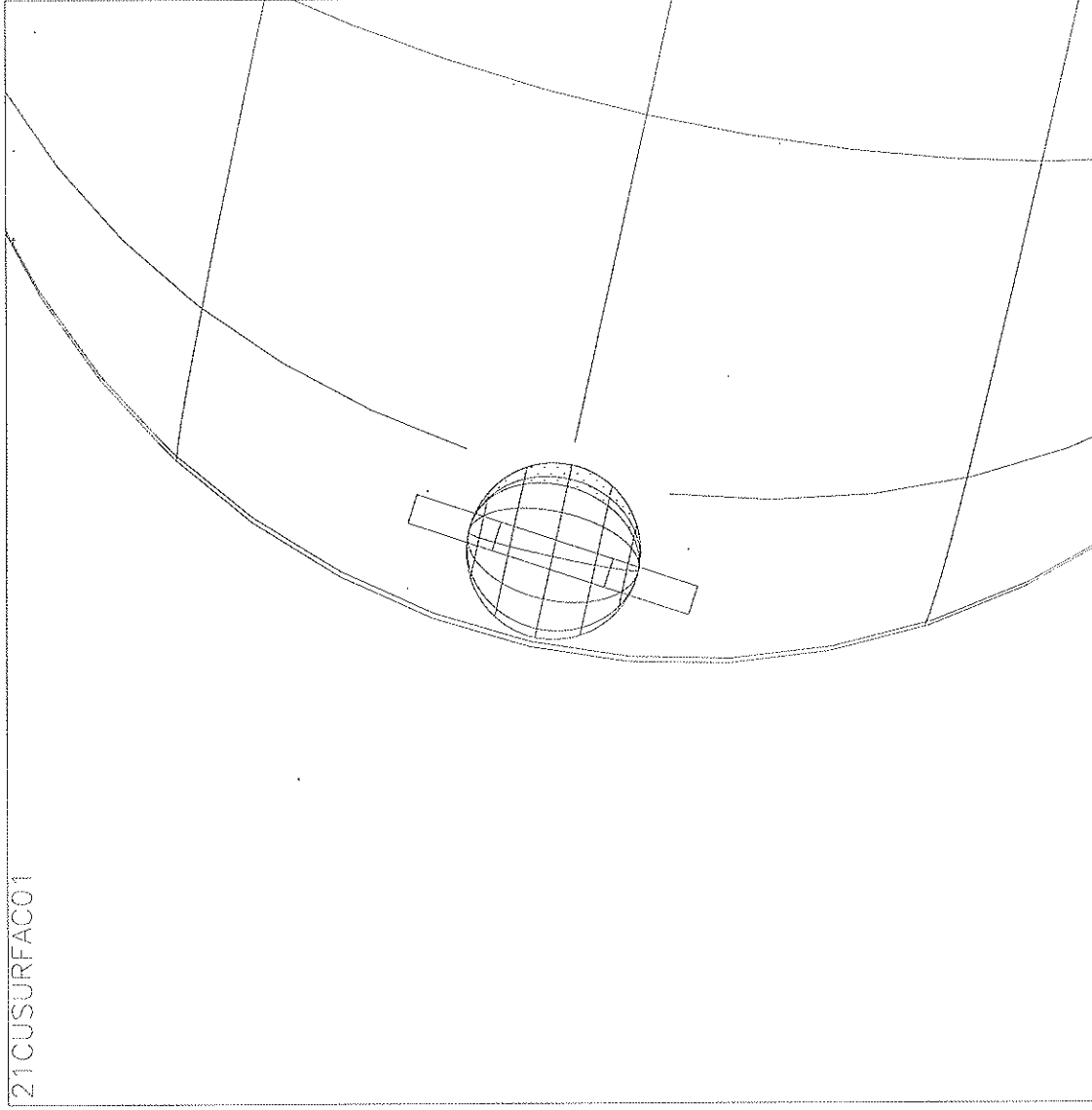
Start UTC_TIME : 1999-181 // 21:01:56.032
No End Time :
Start_SCLK : 1/05062219:00:0:0

Target Body : CALLISTO
Target Ra/Dec : 57.69 / 22.17 Deg
S/C to Body Center : 408075.7 Km (169.81927 Rc)
Z-axis Pointing (Ra / Dec) : 206.53 / -9.70 Deg

Activity ID: Orbit 21		OAPEL CUSURFAC		SeqNo 01-	
Title	Callisto Surface Observation			Instrument	UVS
Requestor	UVS-SWG/W. SWEET X30523	Team	UVS	Working Group	SWG
Time System	CDS	Load ID	21A	Calendar Date	06/30/99
				Week	78
Start	CEE+CDS 0000889:00:0		99-181/22:42:07.132		CEE+000/14:58:52.666
End	CEE+CDS 0000955:00:0		99-181/23:48:51.132		CEE+000/16:05:36.666
Duration	00000066:00:0		000/01:06:44.000		000/01:06:44.000
Top Label	21CUSURFAC01-				
Bottom Label	real-time				
Plot Key	UVS	Type	SCI		
CDS Bytes	148	Report Options	BOTH	Scan Platform	Yes
CDS Source	OAP	Spin State	DUAL	DMS	No
Observation Objective					
<div style="border: 1px solid black; padding: 5px;"> <p>21CUSURFAC01: Observe Callisto's surface for ~ 1 hour. This observation will complement the nominal mission observations to derive phase curves for several locations on Callisto, to obtain a high SNR at wavelengths shorter than 2200 A to see if there are distinctive features in this spectral region.</p> <p>Rj = 19.8</p> <p>UVS configuration: F/N full scans at 1 ms integration.</p> <p>17712 bits/flush * 1 flush = 0017712 mbtg MBTG = 0.017712</p> </div>					
Design Detail					
CDS	RIM COMMAND	PARAMETERS	PSID		
0	000 COMMENT	UVS RIM 0	(384CF)		
28	003+UVFLUSH	DISCRD,UVS	(349CG)		
38	003 CMDRS		(157CF)		
	004	1 34UVS,07,S,N,N,N,S,0,	ON,ON,OFF,	ON,OFF,NOOVR,2,00,9C,01,2C	
	066	63 34UVS,07,S,N,N,N,S,0,	ON,OFF,OPP,OFF,OFF,NOOVR,1,00,9C,00,00		
54	004 TARGET	with TMC on body	(165CE)	RA/Dec=57.71/22.17	
28	065+UVFLUSH	PACKET,UVS	(349CH)		

Thu Jul 1 13:49:23 1999

21CUSURFAC01



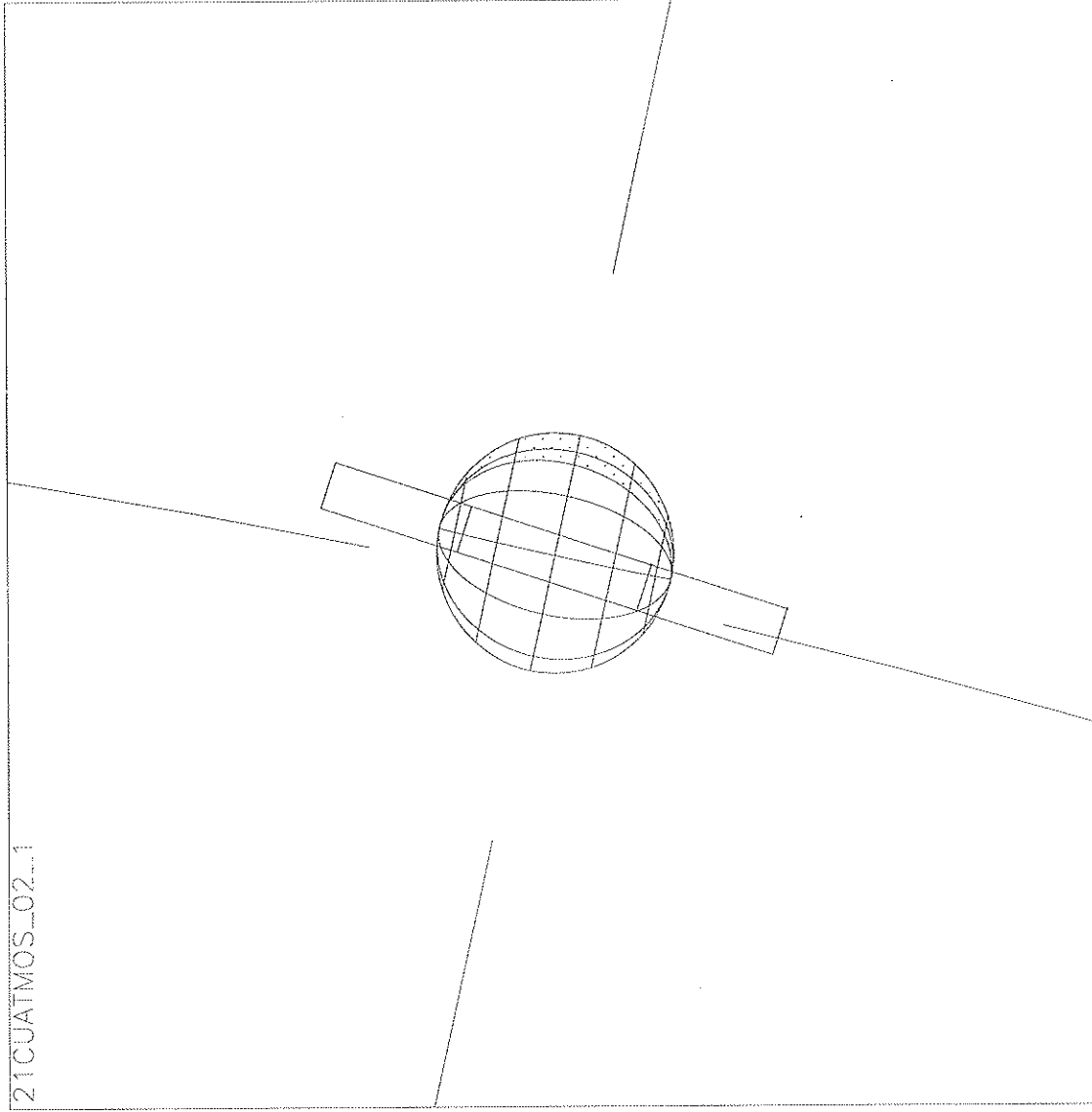
Start UTC_TIME : 1999-181 // 22:50:07.362
No End Time :
Start SCLK : 1/05062326:00:0:0

Target Body : CALLISTO
Target Ra/Dec : 57.70 / 22.17 Deg
S/C to Body Center : 466073.8 Km (193.95497 Rc)
Z-axis Pointing (Ra / Dec) : 206.53 / -9.70 Deg

Activity ID: Orbit 21		OAPEL CUATMOS_		SeqNo 02-	
Title	Callisto Atmosphere Observation			Instrument	UVS
Requestor	UVS-SWG/W. SWEET X30523	Team	UVS	Working Group	SWG
Time System	CDS	Load ID	21A	Calendar Date	07/01/99
				Week	79
Start	CEE+CDS 00001038:00:0		99-182/01:12:46.466		CBE+000/17:29:32.000
End	CEE+CDS 00001312:00:0		99-182/05:49:49.132		CEE+000/22:06:34.666
Duration	00000274:00:0		000/04:37:02.666		000/04:37:02.666
Top Label	21CUATMOS_02-				
Bottom Label	real-time				
Plot Key	UVS	Type	SCI		
CDS Bytes	558	Report Options	BOTH	Scan Platform	Yes
CDS Source	OAP	Spin State	DUAL	DMS	No
Observation Objective					
<div style="border: 1px solid black; padding: 5px;"> <p>21CUATMOS_02: Callisto atmosphere observation to study potential long-term variability. Observe Callisto's atmosphere for ~4 1/2 hours.</p> <p>Rj = 16.3</p> <p>1st 1 3/4 hours, on Callisto with 1304. 2nd 1 3/4 hours, on Callisto with 1356. 3rd 1 hour:</p> <p style="margin-left: 20px;">20 RIMs 2 slits off brt lmb w/ 1216 20 RIMs 1 radii off brt lmb w/ 1216 20 RIMs 3 radii off brt lmb w/ 1216</p> <p>17712 bits/flush * 5 flushes = 0.08856 mbtg</p> </div>					
Design Detail					
CDS	RIM	COMMAND	PARAMETERS	PSID	
0	000	COMMENT	UVS RIM 0	(384CG)	
28	003	+UVFLUSH	DISCRD,UVS	(349CI)	
66	003	CMDRS		(157CG)	
	004	1	34UVS,D1,F,N,N,N,S,0,OFF,OFF, ON, ON,OFF,NOOVR,1,94,45,00,00	(165CF)	RA/Dec=57.71/22.17
	109	106	34UVS,D1,F,N,N,N,S,0,OFF,OFF, ON, ON,OFF,NOOVR,1,B6,45,00,00	(165CM)	RA/Dec=57.71/22.17
	214	211	34UVS,D1,F,N,N,N,S,0,OFF,OFF, ON, ON,OFF,NOOVR,1,5A,45,00,00	(349CJ)	
	274	271	34UVS,07,S,N,N,N,S,0, ON,OFF,OFF,OFF,OFF,NOOVR,1,00,9C,00,00	(165CN)	RA/Dec=57.71/22.17
54	004	TARGET	with TMC on body	(165CH)	RA/Dec=56.84/21.91
54	074	TARGET	with TMC on body	(349CK)	
28	107	+UVFLUSH	PACKET,UVS	(165CG)	RA/Dec=57.21/22.02
54	144	TARGET	with TMC on body	(394CL)	
28	212	+UVFLUSH	PACKET,UVS	(165CI)	RA/Dec=55.96/21.64
54	214	TARGET	with TMC +0.2 radii off body	(349CN)	
28	232	+UVFLUSH	PACKET,UVS		
54	234	TARGET	with TMC +1 radii off body		
28	252	+UVFLUSH	PACKET,UVS		
54	254	TARGET	with TMC +3 radii off body		
28	273	+UVFLUSH	PACKET,UVS		

Thu Jul 1 13:50:45 1999

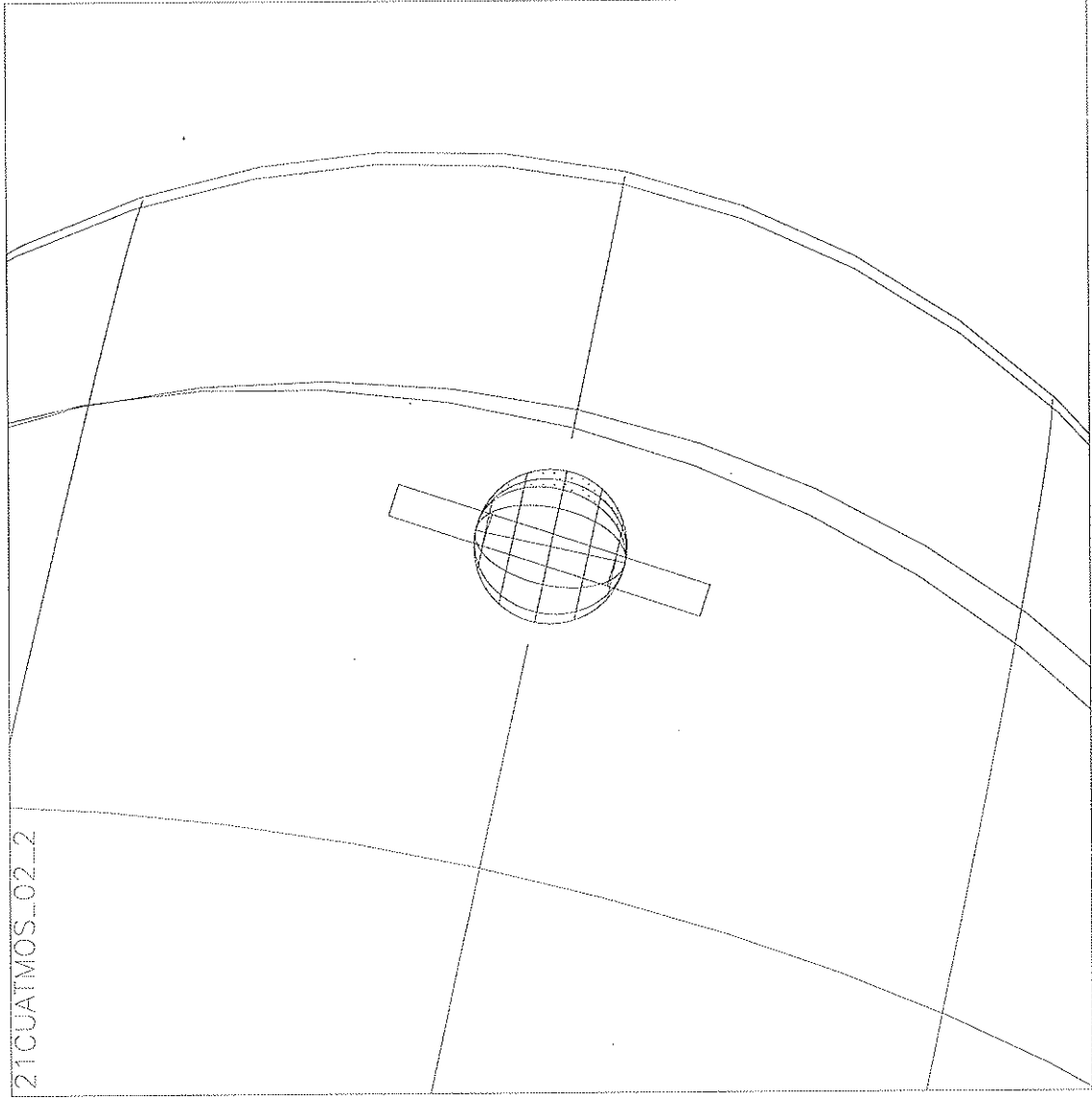
21CUATMOS_02...1



Start UTC_TIME : 1999-182 // 01:20:46.690
No End Time :
Start SCLK : 1/05062475.00:0:0

Target Body : CALLISTO
Target Ra/Dec : 57.70/ 22.17 Deg
S/C to Body Center : 548829.7 Km (228.393556 Rc)
Z-axis Pointing (Ra / Dec) : 206.53 / -9.70 Deg

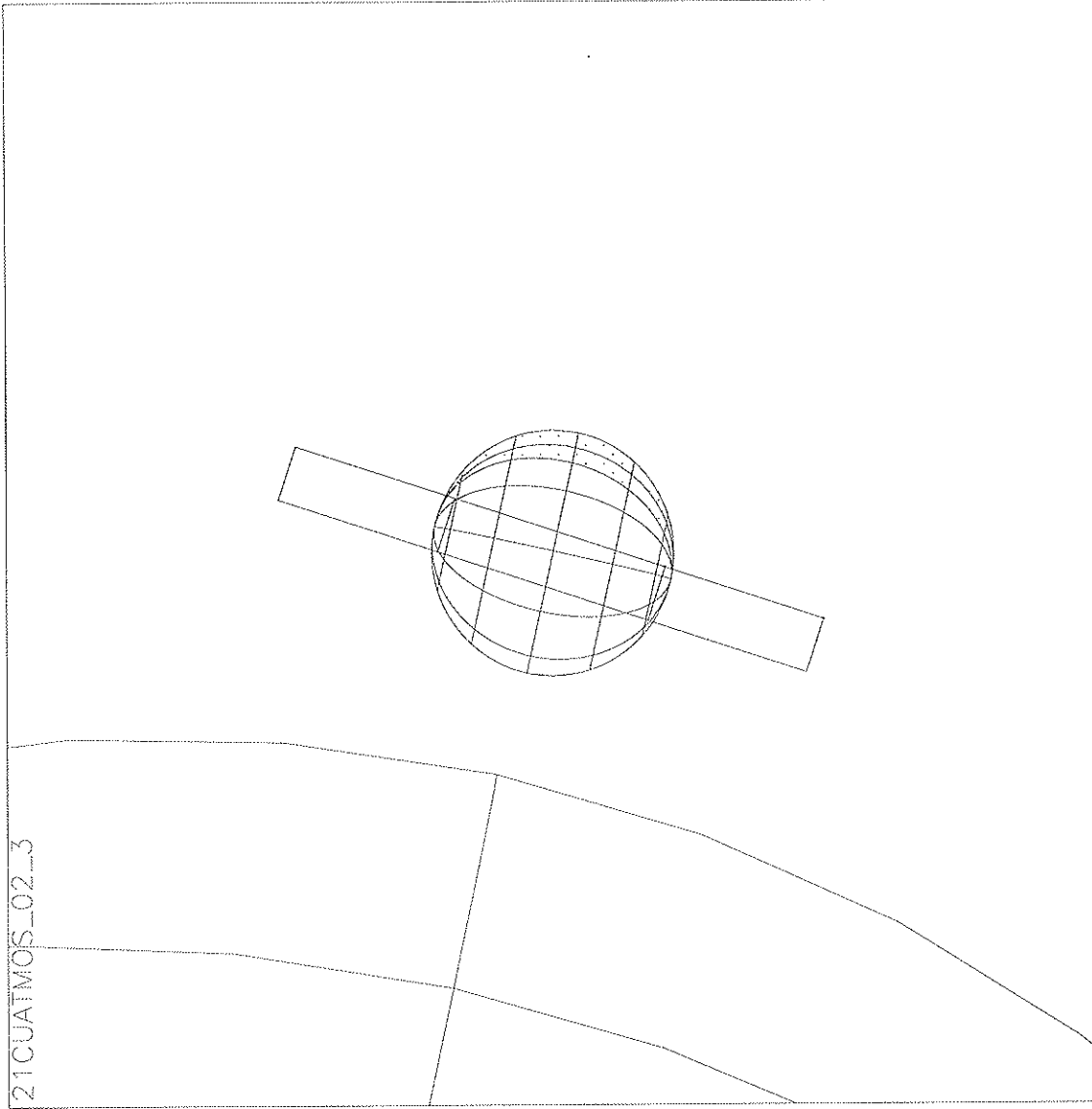
Thu Jul 1 13:51:53 1999



Z1CUATMOS_02_2

Start UTC_TIME : 1999-182 // 02:30:32.687
No End Time :
Start SCLK : 1/05062544:00:00
Target Body : CALLISTO
Target Ra/Dec : 57.69 / 22.17 Deg
S/C to Body Center : 588102.4 Km (244.73675 Rc)
Z-axis Pointing (Ra / Dec) : 206.53 / -9.70 Deg

Thu Jul 1 13:54:58 1999



Start UTC_TIME : 1999-182 // 03:41:19.351

No End Time :

Start SCLK : 1/05062614:00:0:0

Target Body : CALLISTO

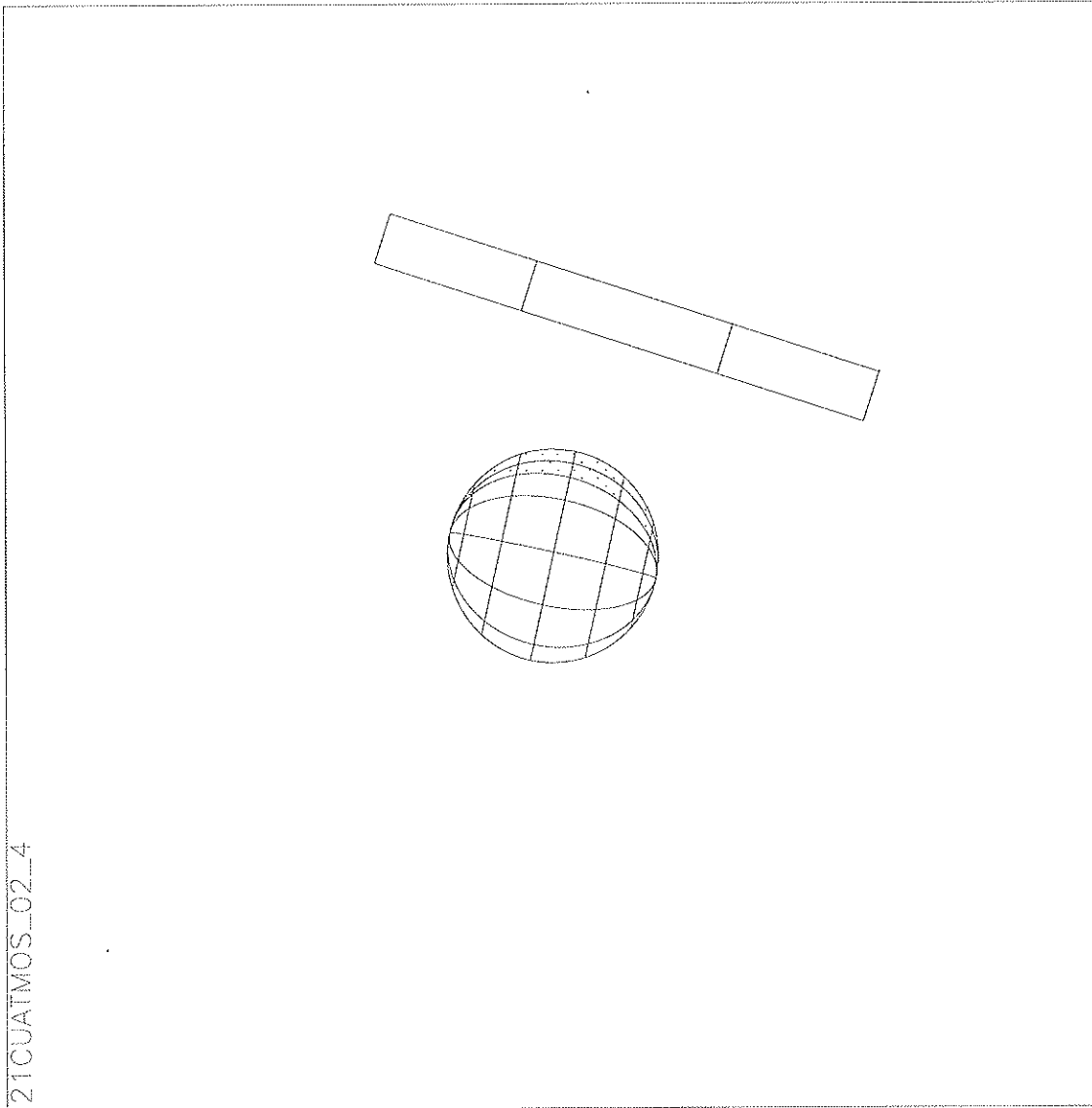
Target Ra/Dec : 57.70/ 22.17 Deg

S/C to Body Center : 628664.6 Km (261.61655 Rc)

Z-axis Pointing (Ra / Dec) : 206.53 / -9.70 Deg

Thu Jul 1 14:09:39 1999

ZTCUATMOS_02_4

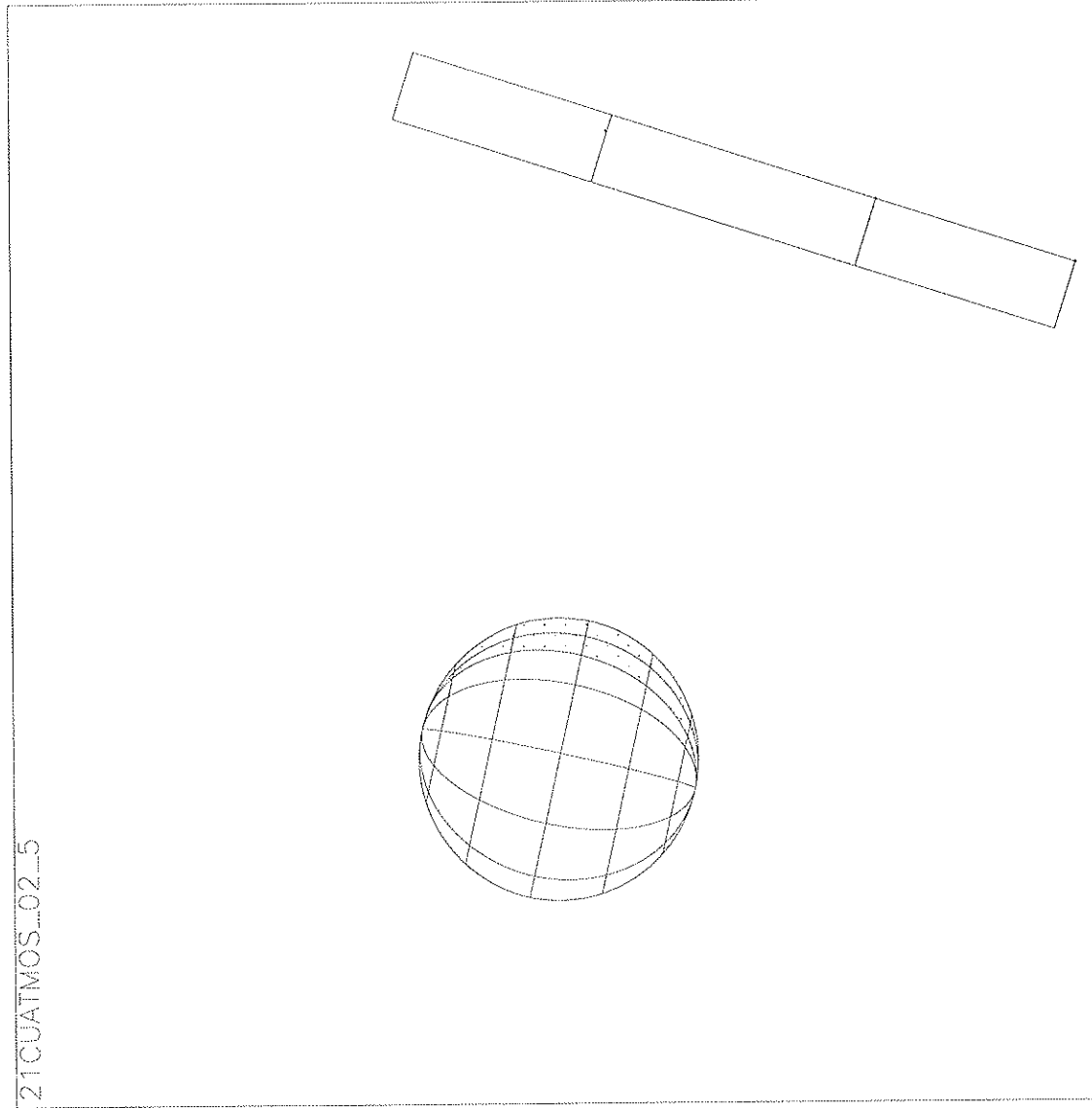


Start UTC_TIME : 1999-182 // 04:53:06.682
No End Time :
Start SCLK : 1/05062685.00:0:0

Target Body : CALLISTO
Target Ro/Dec : 57.70 / 22.17 Deg
S/C to Body Center : 670636.4 Km (279.08299 Rc)
Z-axis Pointing (Ro / Dec) : 206.53 / -9.70 Deg

Thu Jul 1 14:13:52 1999

Z1CUATMOS_02_5

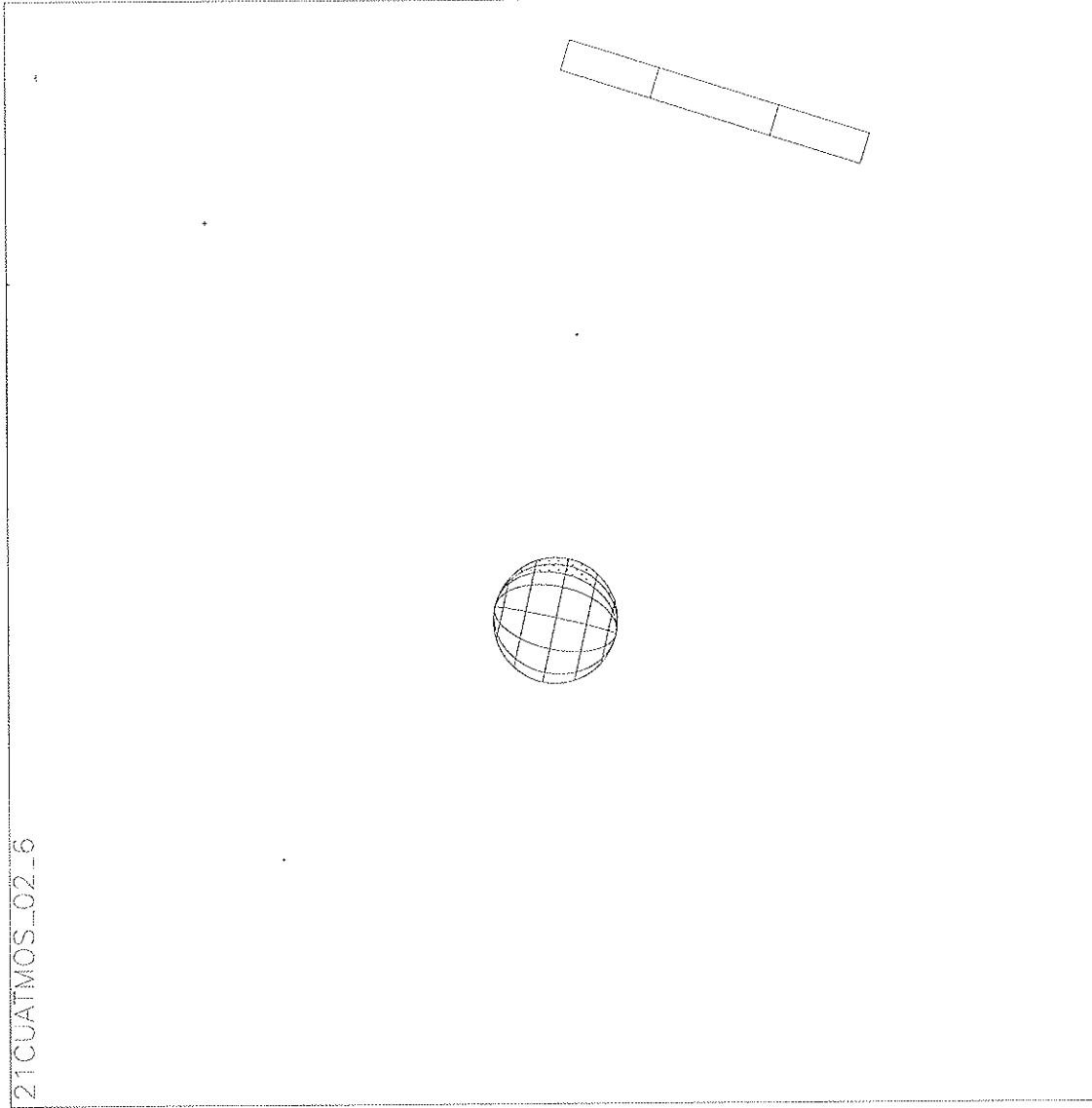


Start UTC TIME : 1999-162 // 05:13:20.015
No End Time :
Start SCLK : 1/05062705:00:00

Target Body : CALLISTO
Target Ra/Dec : 57.71 / 22.17 Deg
S/C to Body Center : 682623.7 Km (284.07147 Rc)
Z-axis Pointing (Ra / Dec) : 206.53 / -9.70 Deg

Thu Jul 1 14:15:03 1999

21CUATMOS_02_6



Start UTC_TIME : 1999-182 // 05:33:33.347
No End Time :
Start SCLK : 1/05062725:00:0:0

Target Body : CALLISTO
Target Rc/Dec : 57.71 / 22.17 Deg
S/C to Body Center : 694687.6 Km (289.09:79 Rc)
Z-axis Pointing (Rc / Dec) : 206.53 / -9.70 Deg

Activity ID: Orbit 21		OAPEL IUATMOS_		SeqNo 01-	
Title	Io Surface Observation			Instrument	UVS
Requestor	UVS-SWG/W. SWEET X30523	Team	UVS	Working Group	SWG
Time System	CDS	Load ID	21A	Calendar Date	07/01/99 Week 79
Start	IEE-CDS 00001059:00:0		99-182/11:16:24.333	IEE-000/17:50:46.000	
End	IEE-CDS 0000930:00:0		99-182/13:26:50.333	IEE-000/15:40:20.000	
Duration	00000129:00:0		000/02:10:26.000	000/02:10:26.000	
Top Label	21IUATMOS_01-				
Bottom Label	real-time				
Plot Key	UVS	Type	SCI		
CDS Bytes	230	Report Options	BOTH	Scan Platform	Yes
CDS Source	OAP	Spin State	DUAL	DMS	No
Observation Objective					
<div style="border: 1px solid black; padding: 5px;"> <p>21IUATMOS_01: Io atmosphere observation and possible Io aurora. Observe Io in total eclipse with TMC on and satellite completely in Jupiter's umbra.</p> <p>Rj = 12.8</p> <p>UVS configuration: G/G full scan</p> <p>17712 bit/flush * 1 flush = 0.017712 mbtg</p> <p>Note: Waiver G-14 for cone 75 and G-15 for 12.8 Rj.</p> </div>					
Design Detail					
CDS	RIM COMMAND	PARAMETERS	PSID		
0	000	COMMENT UVS RIM 0	(384CH)		
28	003+UVFLUSH	DISCRD,UVS	(349CO)		
66	003	CMDRS	(157CH)		
	004	1 34UVS,07,S,N,N,N,S,0,OFF, ON,OFF, ON,OFF,NOOVR,1,2C,9D,00,00			
	064	61 34UVS,07,S,N,N,N,S,0, ON,OFF,OFF,OFF,OFF,NOOVR,1,00,9C,00,00			
	065	62 34UVS,07,S,N,N,N,S,0,OFF, ON,OFF, ON,OFF,NOOVR,1,2C,9D,00,00			
	129	126 34UVS,07,S,N,N,N,S,0, ON,OFF,OFF,OFF,OFF,NOOVR,1,00,9C,00,00			
54	004	TARGET with TMC on body	(165CJ) RA/Dec=285.16/-24.28		
54	065	TARGET with TMC on body	(165CZ) RA/Dec=289.04/-23.77		
28	127+UVFLUSH	PACKET,UVS	(349CP)		

Thu Jul 1 14:16:21 1999

ZTIUATMOS_01

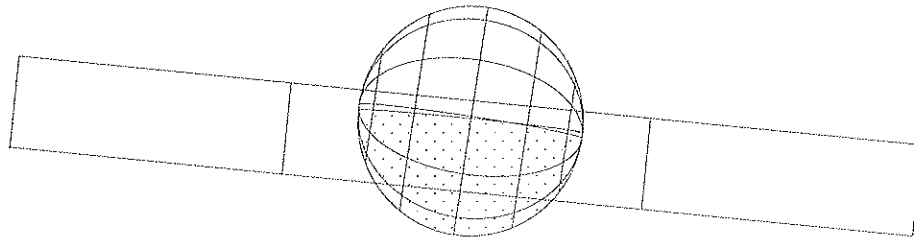


Start UTC_TIME : 1999-182 // 11:21:22.668
No End Time :
Start SCLK : 1/05063059:00:0:0

Target Body : IO
Target Rc/Dec : 284.94 / -24.31 Deg
S/C to Body Center : 915073.1 Km (501.58856 Ri)
Z-axis Pointing (Rc / Dec) : 206.53 / -9.70 Deg

Thu Jul 1 14:17:26 1999

21UATMOS_01_2



Start UTC_TIME : 1999-182 // 12:26:05.333
No End Time :
Start SCLK : 1/05065133:00:0:0

Target Body : IO
Target Ra/Dec : 289.01 / -23.78 Deg
S/C to Body Center : 833456.6 Km (456.85127 Ri)
Z-axis Pointing (Ra / Dec) : 206.63 / -9.70 Deg