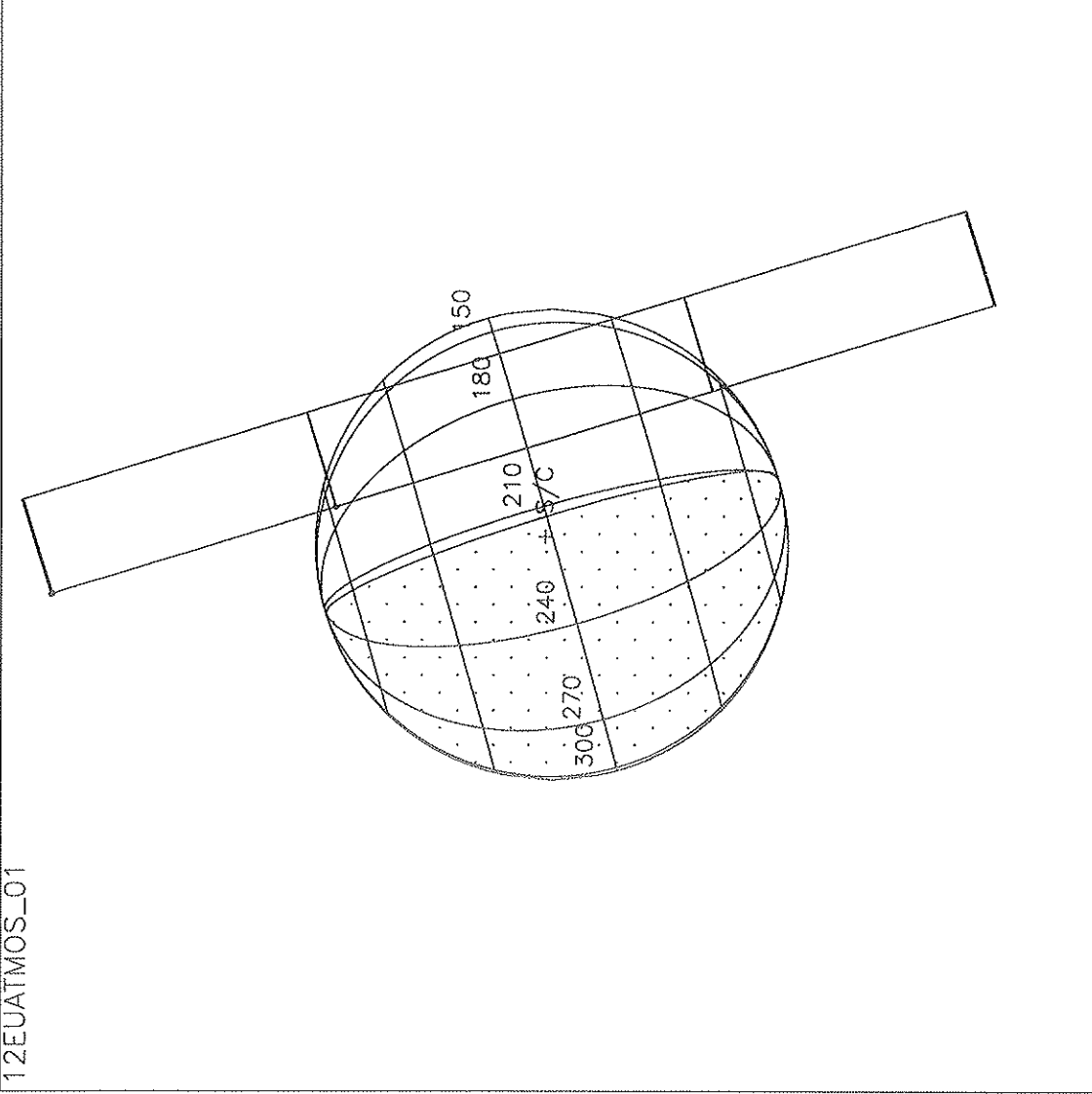


<b>Activity ID:</b>	Orbit 12	<b>OAPEL</b> EUATMOS_	<b>SeqNo</b>	01-
<b>Title</b>	UVS Europa Atmosphere Observation		<b>Instrument</b>	UVS
<b>Requestor</b>	UVS-SWG/W. SWEET X30523	<b>Team</b>	UVS	<b>Working Group</b> SWG
<b>Time System</b>	CDS	<b>Load ID</b>	12A	<b>Calendar Date</b> 12/15/97 <b>Week</b> 50
<b>Start</b>	JEE-CDS 00001053:00:0		97-349/12:49:54.400	JEE-000/17:44:42.000
<b>End</b>	JEE-CDS 00000959:00:0		97-349/14:24:57.067	JEE-000/16:09:39.333
<b>Duration</b>	00000094:00:0		000/01:35:02.667	000/01:35:02.667
<b>Top Label</b>	12EUATMOS_01-			
<b>Bottom Label</b>	real-time			
<b>Plot Key</b>	UVS	<b>Type</b>	SCI	
<b>CDS Bytes</b>	148	<b>Report Options</b>	BOTH	<b>Scan Platform</b> Yes
<b>CDS Source</b>	OAP	<b>Spin State</b>	DUAL	<b>DMS</b> No
<b>Observation Objective</b>				
<div style="border: 1px solid black; padding: 5px;"> <p>12EUATMOS_01: Europa atmosphere observation. We will look for Europa atmospheric emissions (oxygen, hydrogen and sulfur, as well as other possibilities). We will also monitor the tenuous atmosphere for possible outgassing episodes. Observe Europa's atmosphere for ~1 1/2 hours, targeting the body with TMC. Sunlight, 200' longitude, 97' phase. Center slit on lit side.</p> <p>Rj = 13.7 UVS configuration: full G/G scans.</p> <p>MBTG = 17712 bits/flush * 1 flushes = 0.018</p> </div>				
<b>Design Detail</b>				
CDS RIM COMMAND PARAMETERS				PSID
0 000 COMMENT UVS RIM 0				(384CA)
28 003+UVFLUSH DISCRD,UVS				(349CA)
38 003 CMDRS				(157CA)
004 1 34UVS,07,S,N,N,N,S,0,OFF,OFF,	ON, ON,OFF,NOOVR,1,2C,9D,00,00			
094 91 34UVS,C1,F,N,N,N,S,0,OFF,OFF,	ON,OFF,OFF,NOOVR,1,2C,05,00,00			
54 004 TARGET with TMC on body				(165CA)
28 093+UVFLUSH PACKET,UVS				(349CB)

Thu Nov 20 21:46:06 1997

12EUATMOS\_01



Start UTC\_TIME : 1997-349 // 12:53:51.695

No End Time :

Start SCLK : 1/04261349:00:0:0

Target Body : EUROPA

Target Ra/Dec : 227.25/-20.25 Deg

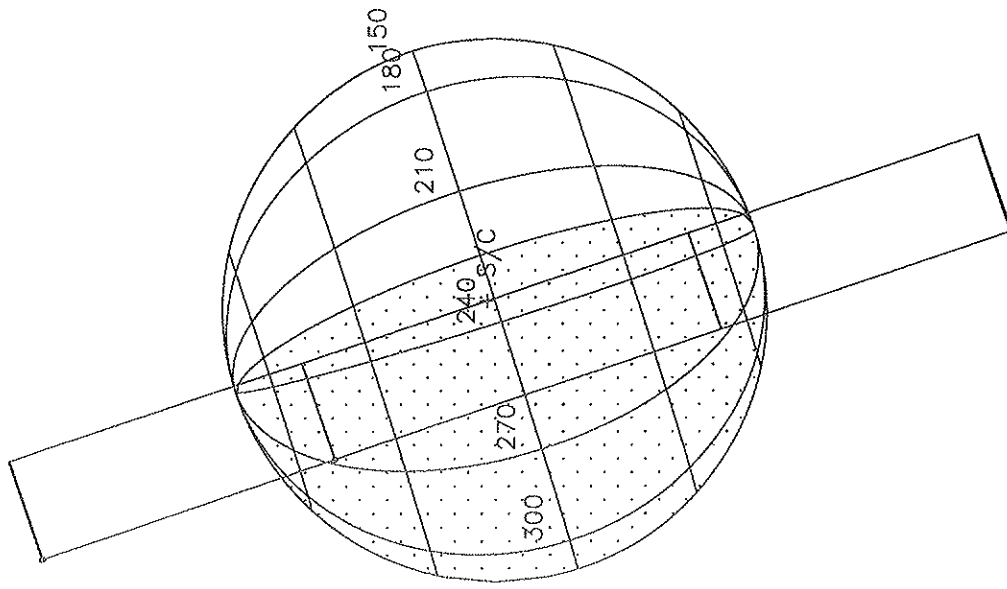
S/C to Body Center : 374254.1 Km ( 239.14003 Re )

Z-axis Pointing ( Ra / Dec ) : 140.40 / 17.20 Deg

<b>Activity ID:</b>	Orbit 12	<b>OAPEL EUATMOS_</b>	<b>SeqNo</b>	02-
<b>Title</b>	UVS Europa Atmosphere Observation		<b>Instrument</b>	UVS
<b>Requestor</b>	UVS-SWG/W. SWEET X30523	<b>Team</b>	UVS	<b>Working Group</b> SWG
<b>Time System</b>	CDS	<b>Load ID</b>	12A	<b>Calendar Date</b> 12/15/97 <b>Week</b> 50
<b>Start</b>	JEE-CDS 00000875:00:0		97-349/15:49:53.067	JEE-000/14:44:43.333
<b>End</b>	JEE-CDS 00000781:00:0		97-349/17:24:55.734	JEE-000/13:09:40.666
<b>Duration</b>	00000094:00:0		000/01:35:02.667	000/01:35:02.667
<b>Top Label</b>	12EUATMOS_02-			
<b>Bottom Label</b>	real-time			
<b>Plot Key</b>	UVS	<b>Type</b>	SCI	
<b>CDS Bytes</b>	148	<b>Report Options</b>	BOTH	<b>Scan Platform</b> Yes
<b>CDS Source</b>	OAP	<b>Spin State</b>	DUAL	<b>DMS</b> No
<b>Observation Objective</b>				
<div style="border: 1px solid black; padding: 5px;"> <p>12EUATMOS_02: Second Europa Atmosphere observation. We will look for Europa atmospheric emissions (oxygen, hydrogen and sulfur, as well as other possibilities). We will also monitor the tenuous atmosphere for possible outgassing episodes. Observe Europa's atmosphere for ~1 1/2 hours, targeting the body with TMC. Sunlight, 200' longitude, 102' phase. Center slit on dark side.</p> <p>Rj = 12.5                      UVS configuration: F/F 33 step 3090 Å</p> <p>MBTG = 17712 bits/flush * 1 flushes = 0.018</p> </div>				
<b>Design Detail</b>				
CDS RIM COMMAND PARAMETERS				PSID
0 000 COMMENT UVS RIM 0				(384CB)
28 003+UVFLUSH DISCRD,UVS				(349CC)
38 003 CMDRS				(157CB)
004 1 34UVS,D7,F,N,N,N,S,0, ON,OFF,OFF, ON,OFF,NOOVR,1,D0,5D,00,00				
094 91 34UVS,C1,F,N,N,N,S,0,OFF,OFF, ON,OFF,OFF,NOOVR,1,2C,05,00,00				
54 004 TARGET with TMC on body				(165CB)
28 093+UVFLUSH PACKET,UVS				(349CD)

Fri Nov 21 18:36:45 1997

12EUATMOS\_02

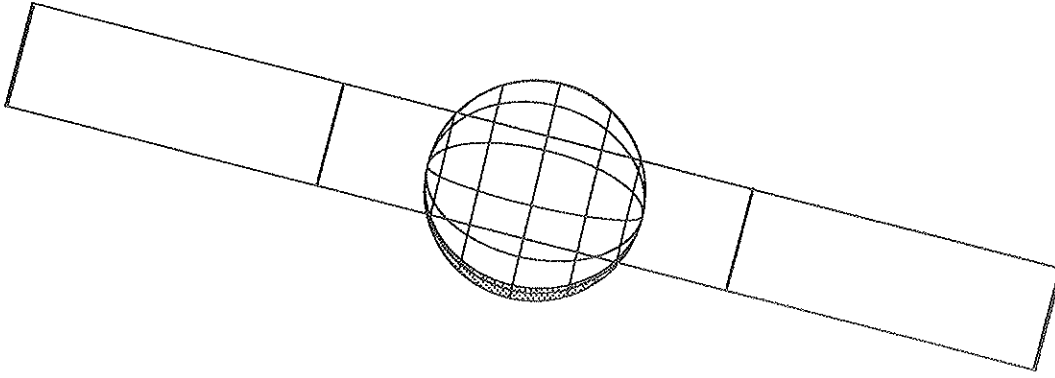


Start UTC\_TIME : 1997-349 // 15:53:50.355  
No End Time :  
Start SCLK : 1/04261527:00:0:0  
Target Body : EUROPA  
Target Cone/Clock : 88.22/ 95.29 Deg  
S/C to Body Center : 337290.4 Km ( 215.52105 Re )  
Z-axis Pointing ( Ra / Dec ) : 140.40 / 17.20 Deg

<b>Activity ID:</b> Orbit 12	<b>OAPEL</b> IUATMOS_	<b>SeqNo</b> 01-
<b>Title</b>	UVS Io Atmosphere Observation	<b>Instrument</b> UVS
<b>Requestor</b>	UVS-SWG/W. SWEET X30523	<b>Team</b> UVS
		<b>Working Group</b> SWG
<b>Time System</b> CDS	<b>Load ID</b> 12A	<b>Calendar Date</b> 12/15/97
		<b>Week</b> 50
<b>Start</b>	JEE-CDS 00000689:00:0	97-349/18:57:57.067
		JEE-000/11:36:39.333
<b>End</b>	JEE-CDS 00000415:00:0	97-349/23:34:59.734
		JEE-000/06:59:36.666
<b>Duration</b>	00000274:00:0	000/04:37:02.667
		000/04:37:02.667
<b>Top Label</b>	12IUATMOS_01-	
<b>Bottom Label</b>	real-time	
<b>Plot Key</b>	UVS	<b>Type</b> SCI
<b>CDS Bytes</b>	450	<b>Report Options</b> BOTH
		<b>Scan Platform</b> Yes
<b>CDS Source</b>	OAP	<b>Spin State</b> DUAL
		<b>DMS</b> No
<b>Observation Objective</b>		
<div style="border: 1px solid black; padding: 5px;"> <p>12IUATMOS_01: Io atmosphere observation. We investigate Io atmospheric emissions (sulfur and oxygen). We will also monitor the tenuous atmosphere for variations due to volcanic activity and SO2 frost sublimation. Observe Io's for ~4 1/2 hours. Sunlight, 50' longitude, 29' phase.                  First 1 1/2 hour, target body with TMC.                  Second 1 1/2 hour, target body with TMC: **Check if PWS quiet is needed. If so, 1-step,                  2-postion G/G command for PWS quiet.                  Third 1 1/2 hour, observe Io at: -1 Io radii, target with TMC for 30 minutes                  1 Io radii, target with TMC for 30 minutes                  2 Io radii, target with TMC for 30 minutes                  Rj = 11.3                  UVS configuration: 1304-1304Å 16 step mini-scan G/G</p> </div>		
<b>Design Detail</b>		
CDS RIM COMMAND PARAMETERS		PSID
0 000 COMMENT UVS RIM 0		(384CC)
28 003+UVFLUSH DISCRD,UVS		(349CE)
66 003 CMDRS		(157CC)
004 1 34UVS,D1,F,N,N,N,S,0,OFF,OFF,	ON, ON,OFF,NOOVR,1,94,45,00,00	
094 91 34UVS,C1,F,N,N,N,S,0,OFF,OFF,	ON, ON,OFF,NOOVR,1,9C,05,00,0A	
184 181 34UVS,D1,F,N,N,N,S,0,OFF,OFF,	ON, ON,OFF,NOOVR,1,94,45,00,00	
274 271 34UVS,C1,F,N,N,N,S,0,OFF,OFF,	ON,OFF,OFF,NOOVR,1,2C,05,00,00	
54 004 TARGET with TMC on body	(165CC)	
28 092+UVFLUSH PACKET,UVS	(349CF)	
28 182+UVFLUSH PACKET,UVS	(349CG)	
54 184 TARGET with TMC -1 off body	(165CD)	
28 212+UVFLUSH PACKET,UVS	(349CH)	
54 214 TARGET with TMC 1 off body	(165CE)	
28 242+UVFLUSH PACKET,UVS	(349CI)	
54 244 TARGET with TMC 2 off body	(165CF)	
28 273+UVFLUSH PACKET,UVS	(349CJ)	

Tue Nov 4 23:26:43 1997

12IUATMOS\_01

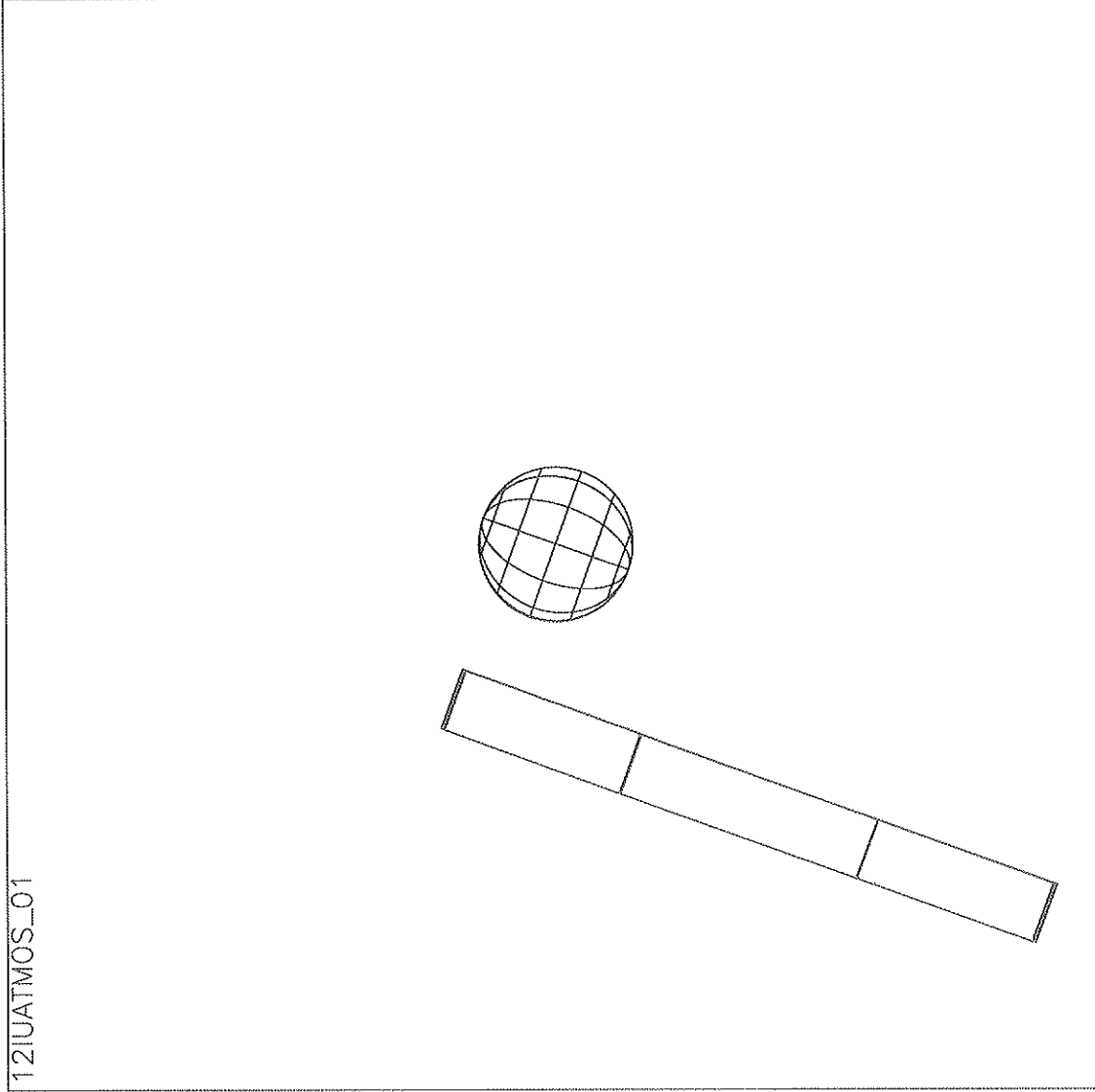


150 observation

Start UTC\_TIME : 1997-349 // 19:01:54.348  
No End Time :  
Start SCLK : 1/04261713:00:0:0  
Target Body : IO  
Target Ra/Dec : 301.54/-21.51 Deg  
S/C to Body Center : 995925.0 Km ( 545.90678 RI )  
Z-axis Pointing ( Ra / Dec ) : 140.40 / 17.20 Deg

Fri Nov 14 22:44:01 1997

12IUATMOS\_01



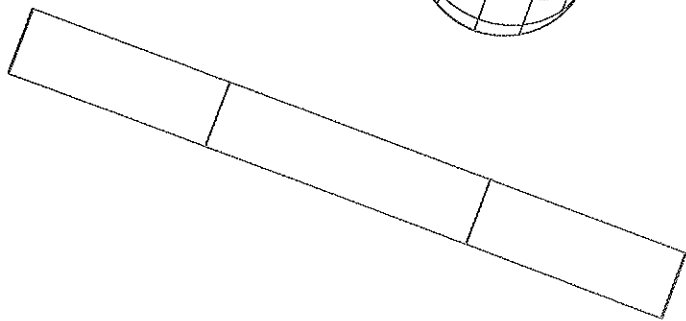
2nd observation

Start UTC\_TIME : 1997-349 // 22:01:53.009  
No End Time :  
Start SCLK : 1/04261891:00:0:0

Target Body : IO  
Target Ro/Dec : 319.59/-16.29 Deg  
S/C to Body Center : 851829.0 Km ( 466.92189 RI )  
Z-axis Pointing ( Ro / Dec ) : 140.40 / 17.20 Deg

Fri Nov 14 22:49:20 1997

12IUATMOS\_01



3/0 OBSERVATION

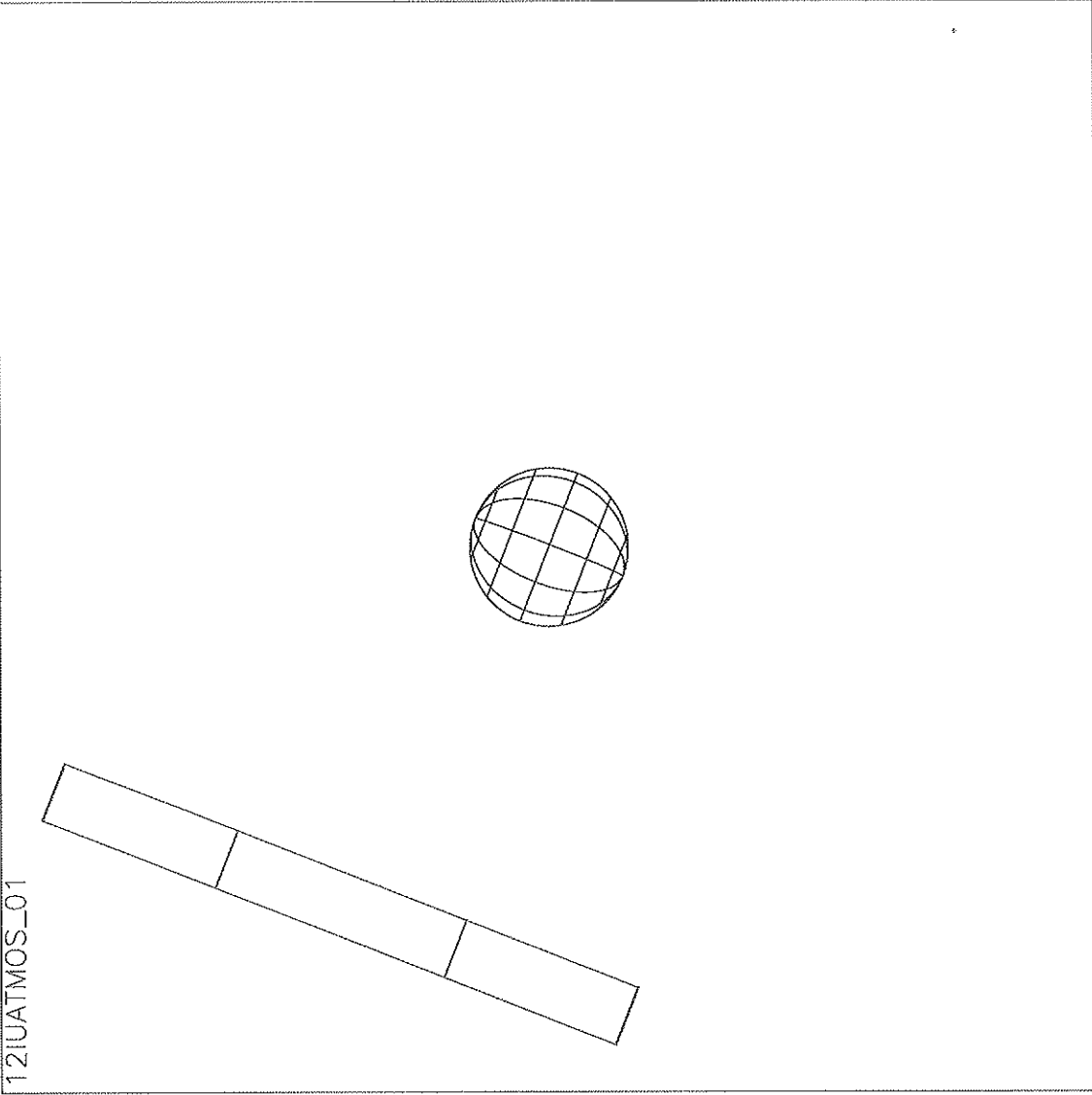
Start UTC\_TIME : 1997-349 // 22:33:13.674  
No End Time :  
Start SCLK : 1/04261922:00:00  
Target Body : IO  
Target Ra/Dec : 322.81 / -15.14 Deg  
S/C to Body Center : 829174.6 Km ( 454.50412 Ri )  
Z-axis Pointing ( Ra / Dec ) : 140.40 / 17.20 Deg



Fri Nov 14 22:57:32 1997

400 observations

12IUATMOS\_01



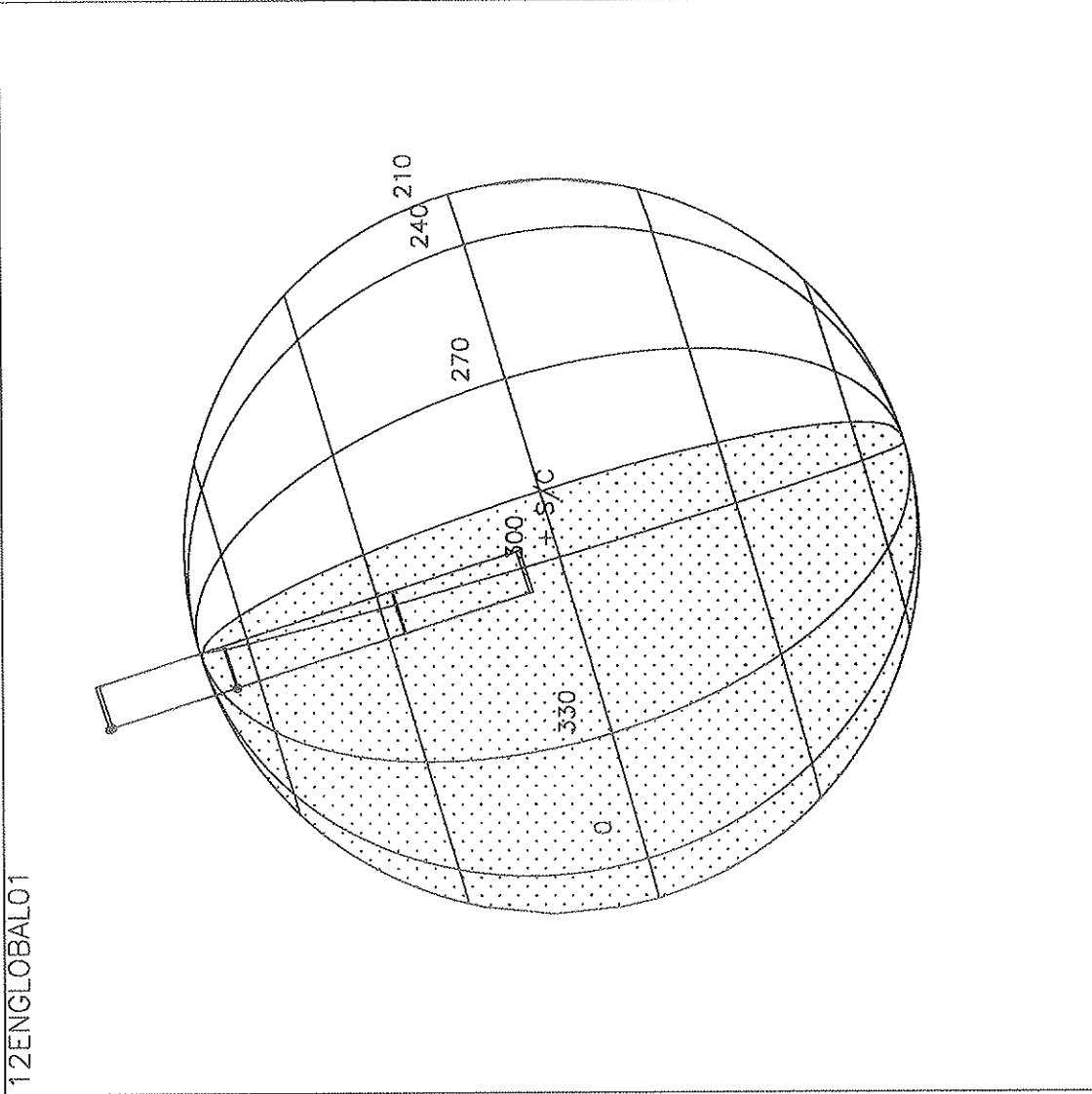
Start UTC\_TIME : 1997-349 // 23:03:33.673  
No End Time :  
Start SCLK : 1/04261952:00:0:0

Target Body : IO  
Target Ro/Dec : 325.95/-13.97 Deg  
S/C to Body Center : 808075.7 Km ( 442.93895 Ri )  
Z-axis Pointing ( Ra / Dec ) : 140.40 / 17.20 Deg

Activity ID: Orbit 12		OAPEL EUGLOBAL		SeqNo 01+	
Title	UVS r/a Europa Global Observation			Instrument	UVS
Requestor	UVS-SWG/W. SWEET X30523	Team	UVS	Working Group	SWG
Time System	CDS	Load ID	12A	Calendar Date	12/16/97
				Week	51
Start	EEE-CDS 00000300:00:0		97-350/07:01:23.442		EEE-000/05:03:20.000
End	EEE-CDS 00000264:00:0		97-350/07:37:47.442		EEE-000/04:26:56.000
Duration	00000036:00:0		000/00:36:24.000		000/00:36:24.000
Top Label	12EUGLOBAL01+				
Bottom Label	NIMS ride-along				
Plot Key	UVS	Type	SCI		
CDS Bytes	38	Report Options	BOTH	Scan Platform	Yes
CDS Source	OAP	Spin State	DUAL	DMS	Yes
<b>Observation Objective</b>					
<div style="border: 1px solid black; width: 150px; height: 100px; display: inline-block; vertical-align: top;"></div> <p>12EUGLOBAL01: Ride-along with the NIMS 12EUGLOBAL01 observation to observe Europa in the 1600Å to 3200Å wavelength regions at phase angles not obtainable from the Earth. Data will supplement and complement the NIMS surface property measurements.</p> <p>Rj = 8.8, sunlight          UVS configuration: full F/F scans.</p> <p>MBTG = ((1008 bps) * (2212 sec)) * 0.3 (compression) = 0.669</p>					
<b>Design Detail</b>					
CDS	RIM	COMMAND	PARAMETERS	PSID	
38	000	CMDRS		(157CD)	
	004	4	34UVS,07,S,N,N,N,S,0, ON,OFF,OFF, ON,OFF,NOOVR,1,00,9C,00,00		
	036	36	34UVS,C1,F,N,N,N,S,0,OFF,OFF, ON,OFF,OFF,NOOVR,1,2C,05,00,00		

Tue Nov 4 23:40:54 1997

12ENGLOBAL01



Start UTC\_TIME : 1997-350 // 07:03:50.322

No End Time :

Start SCLK : 1/04262427:00:0:0

Target Body : EUROPA

Target Ra/Dec : 225.56/-19.74 Deg

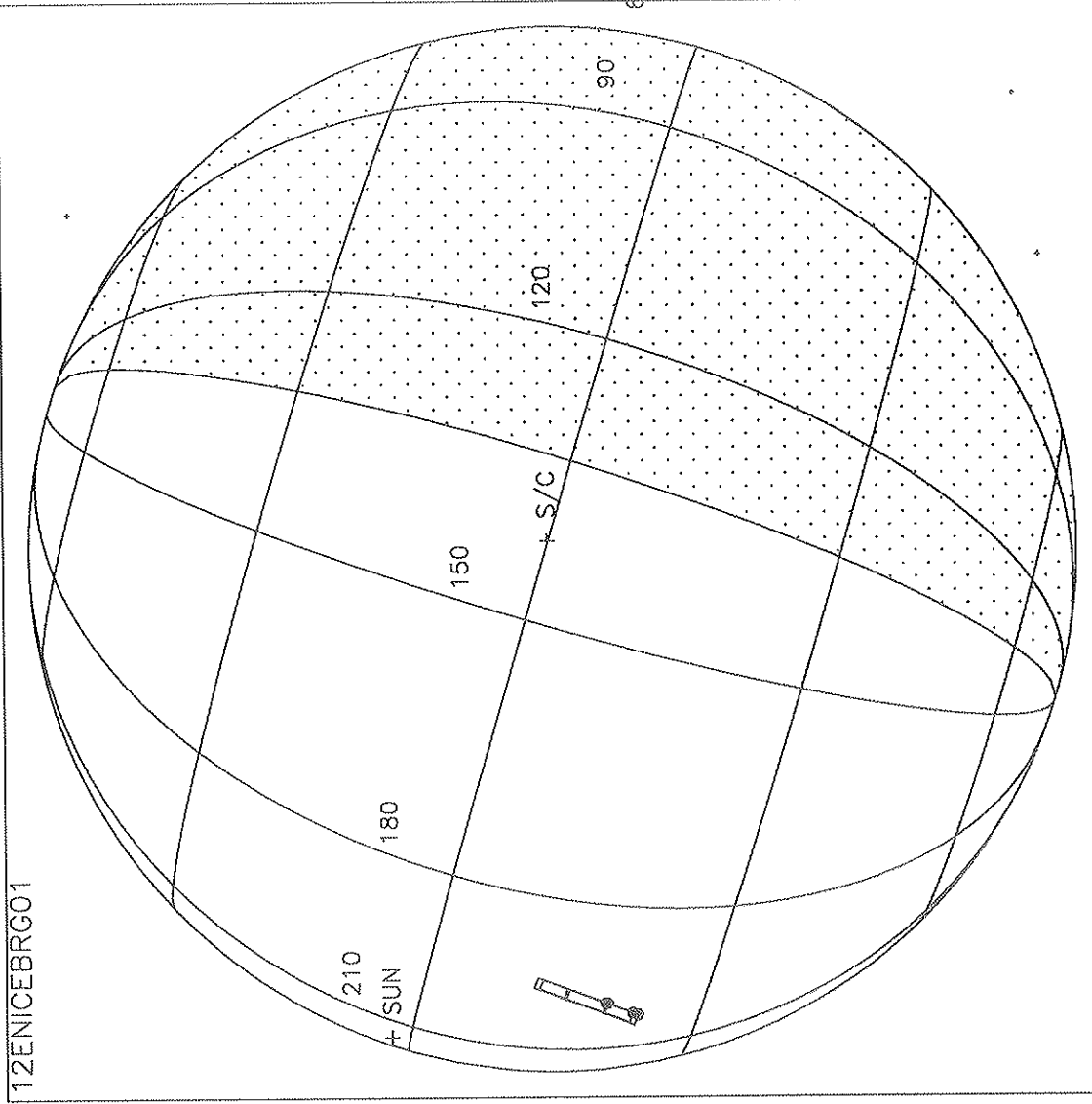
S/C to Body Center : 108198.5 Km ( 69.136430 Re )

Z-axis Pointing ( Ra / Dec ) : 140.40 / 17.20 Deg

<b>Activity ID:</b>	Orbit 12	<b>OAPEL</b> EUICEBRG	<b>SeqNo</b>	01+
<b>Title</b>	UVS r/a Europa Surface Composition		<b>Instrument</b>	UVS
<b>Requestor</b>	UVS-SWG/W. SWEET X30523	<b>Team</b>	UVS	<b>Working Group</b> SWG
<b>Time System</b>	CDS	<b>Load ID</b>	12A	<b>Calendar Date</b> 12/16/97 <b>Week</b> 51
<b>Start</b>	EEE+CDS 00000025:00:0		97-350/12:28:29.732	EEE+000/00:25:16.666
<b>End</b>	EEE+CDS 00000040:00:0		97-350/12:43:39.732	EEE+000/00:40:26.666
<b>Duration</b>	00000015:00:0		000/00:15:10.000	000/00:15:10.000
<b>Top Label</b>	12EUICEBRG01+			
<b>Bottom Label</b>	NIMS ride-along			
<b>Plot Key</b>	UVS	<b>Type</b>	SCI	
<b>CDS Bytes</b>	38	<b>Report Options</b>	BOTH	<b>Scan Platform</b> Yes
<b>CDS Source</b>	OAP	<b>Spin State</b>	DUAL	<b>DMS</b> Yes
<b>Observation Objective</b>				
	12EUICEBRG01: Ride-along with the NIMS 12EUICEBRG01 observation to observe Europa in the 1600Å to 3200Å wavelength regions at phase angles not obtainable from the Earth. Data will supplement and complement the NIMS surface property measurements.			
	Rj = 9.6, sunlight UVS configuration: full F/F scans.			
	MBTG = ((1008 bps) * (840 sec)) * 0.3 (compression) = 0.25402			
<b>Design Detail</b>				
CDS	RIM	COMMAND	PARAMETERS	PSID
38	000	CMDRS		(157CF)
	004	1	34UVS,07,S,N,N,N,S,0, ON,OFF,OFF, ON,OFF,NOOVR,1,00,9C,00,00	
	015	12	34UVS,C1,F,N,N,N,S,0,OFF,OFF, ON,OFF,OFF,NOOVR,1,2C,05,00,00	

Tue Nov 4 23:49:43 1997

12ENICEBRG01



Start UTC\_TIME : 1997-350 // 12:47:36.977

No End Time :

Start SCLK : 1/04262767:00:0:0

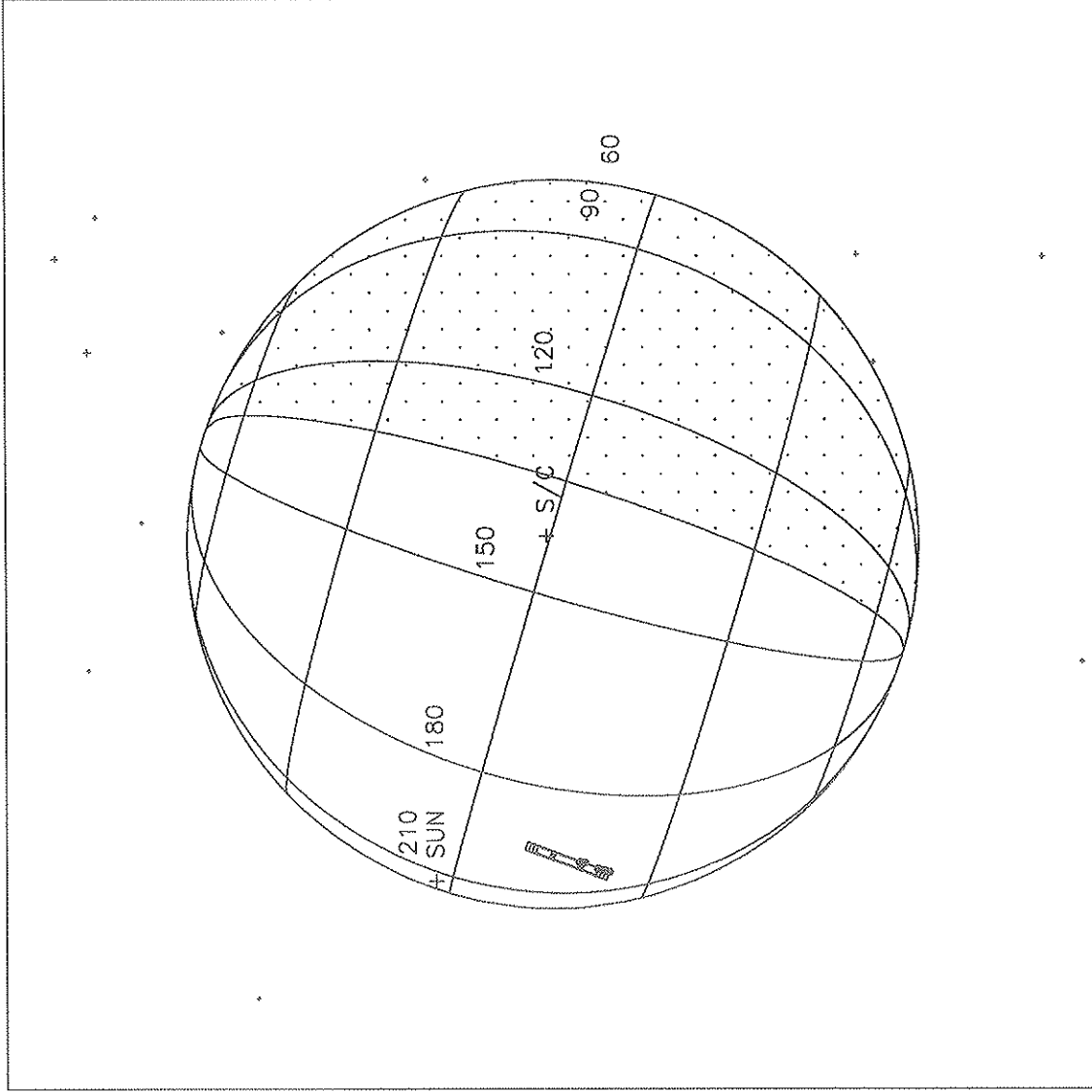
Target Body : EUROPA

Target Ra/Dec : 45.35/ 19.99 Deg

S/C to Body Center : 16428.49 Km ( 10.497438 Re )

Z-axis Pointing ( Ra / Dec ) : 140.40 / 17.20 Deg

Mon Dec 22 21:25:45 1997



Start UTC\_TIME : 1997-350 // 12:47:36.977

No End Time :

Start SCLK : 1/04262767:00:0:0

Target Body : EUROPA

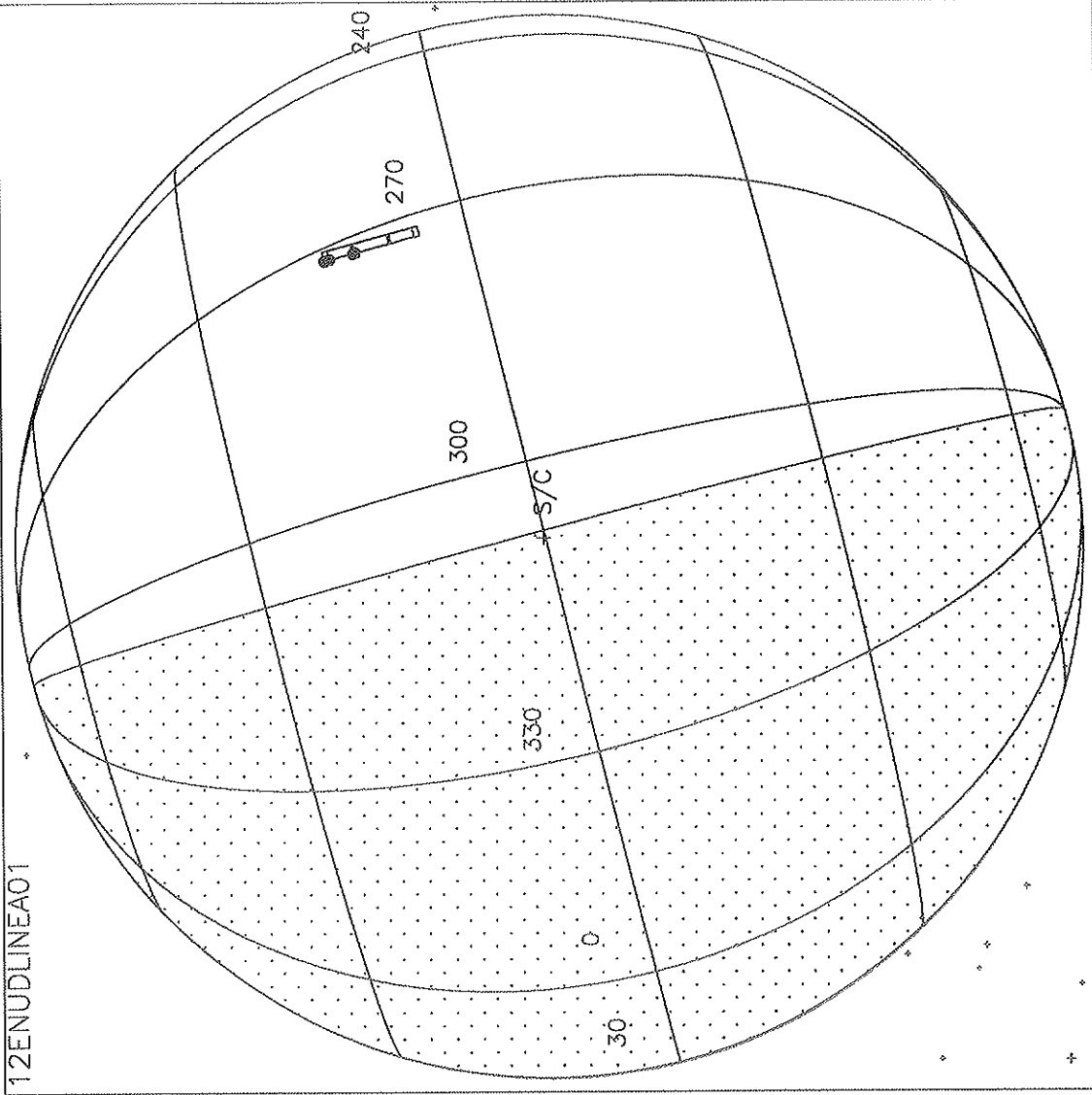
Target Cone/Clock : 88.97/275.16 Deg

S/C to Body Center : 15782.92 Km ( 10.084936 Re )

Z-axis Pointing ( Ra / Dec ) : 140.40 / 17.20 Deg

<b>Activity ID:</b> Orbit 12	<b>OAPEL</b> EUDLINEA	<b>SeqNo</b> 01+
<b>Title</b>	UVS r/a Europa Surf. Comp. and Mincos Li	<b>Instrument</b> UVS
<b>Requestor</b>	UVS-SWG/W. SWEET X30523	<b>Team</b> UVS
		<b>Working Group</b> SWG
<b>Time System</b> CDS	<b>Load ID</b> 12A	<b>Calendar Date</b> 12/16/97
	<b>Week</b> 51	
<b>Start</b>	EEE-CDS 00000046:00:0	97-350/11:18:12.776
		EEE-000/00:46:30.666
<b>End</b>	EEE-CDS 00000038:00:0	97-350/11:26:18.109
		EEE-000/00:38:25.333
<b>Duration</b>	00000008:00:0	000/00:08:05.333
		000/00:08:05.333
<b>Top Label</b>	12EUDLINEA01+	
<b>Bottom Label</b>	NIMS ride-along	
<b>Plot Key</b>	UVS	<b>Type</b> SCI
<b>CDS Bytes</b>	38	<b>Report Options</b> BOTH
		<b>Scan Platform</b> Yes
<b>CDS Source</b>	OAP	<b>Spin State</b> DUAL
		<b>DMS</b> Yes
<b>Observation Objective</b>		
	12EUDLINEA01: Ride-along with the NIMS 12EUDLINEA01 observation to observe Europa in the 1600Å to 3200Å wavelength regions at phase angles not obtainable from the Earth. Data will supplement and complement the NIMS surface property measurements.	
	Rj = 9.25, sunlight	
	UVS configuration: full F/F scans.	
	MBTG = ((1008 bps) * (500 sec)) * 0.3 (compression) = 0.1512	
<b>Design Detail</b>		
<b>CDS RIM COMMAND PARAMETERS</b>		<b>PSID</b>
-----		-----
38 000 CMDFS		(157CE)
001 1 34UVS,07,S,N,N,N,S,0,	ON,OFF,OFF,	ON,OFF,NOOVR,1,00,9C,00,00
008 8 34UVS,C1,F,N,N,N,S,0,	OFF,OFF,	ON,OFF,OFF,NOOVR,1,2C,05,00,00

Tue Nov 4 23:46:37 1997



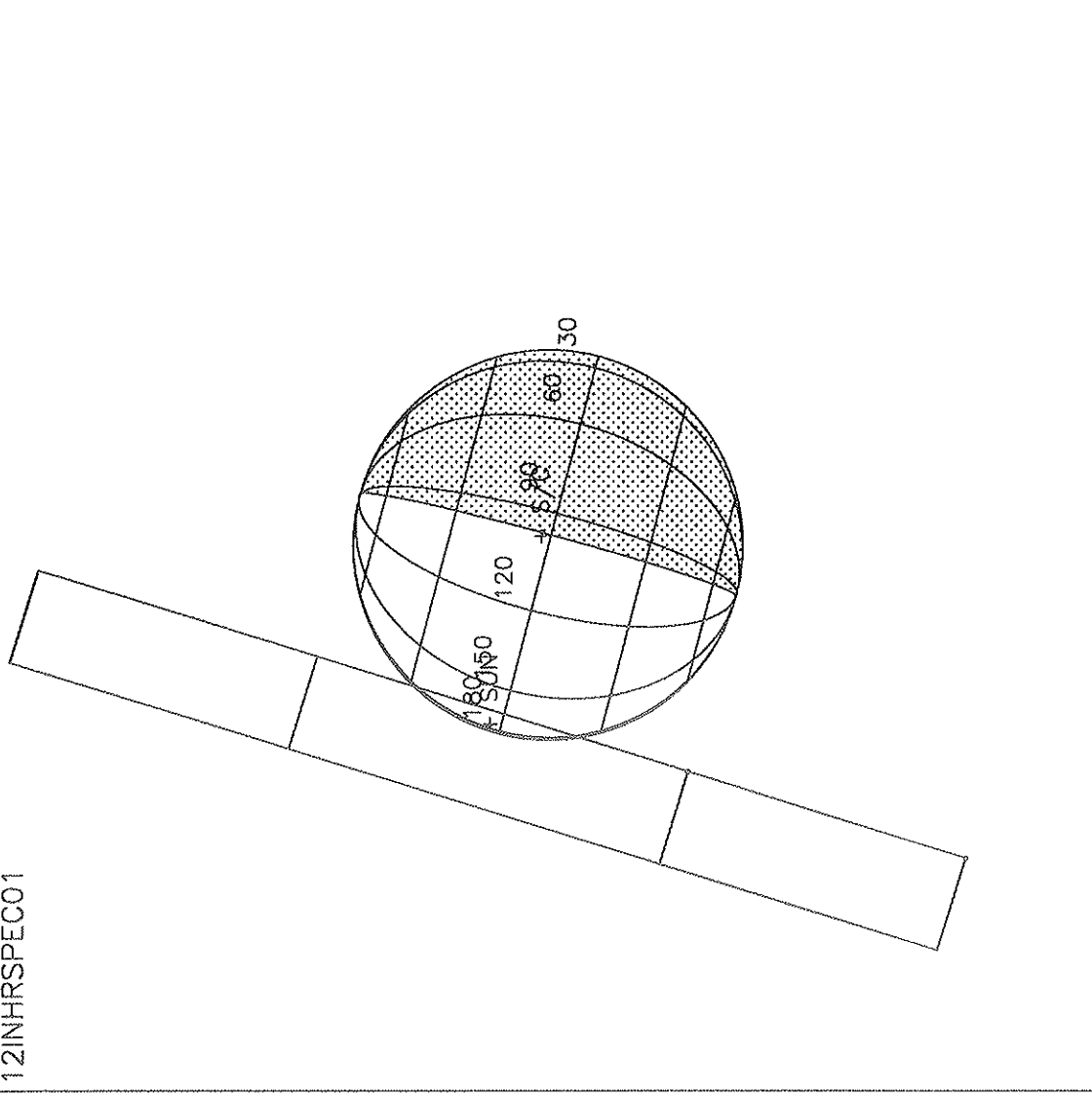
Start UTC\_TIME : 1997-350 // 11:17:37.647  
No End Time :  
Start SCLK : 1/04262678:00:00  
Target Body : EUROPA  
Target Ra/Dec : 253.16 / -20.83 Deg  
S/C to Body Center : 16607.13 Km ( 10.611584 Re )  
Z-axis Pointing ( Ra / Dec ) : 140.40 / 17.20 Deg



<b>Activity ID:</b> Orbit 12	<b>OAPEL</b> IUHRSPEC	<b>SeqNo</b> 01+
<b>Title</b>	UVS r/a Io High Spectral Resolution	<b>Instrument</b> UVS
<b>Requestor</b>	UVS-SWG/W. SWEET X30523	<b>Team</b> UVS
		<b>Working Group</b> SWG
<b>Time System</b> CDS	<b>Load ID</b> 12A	<b>Calendar Date</b> 12/16/97
	<b>Week</b> 51	
<b>Start</b>	IEE-CDS 00000297:00:0	97-350/14:10:05.694
		IEE-000/05:00:18.000
<b>End</b>	IEE-CDS 00000280:00:0	97-350/14:27:17.028
		IEE-000/04:43:06.666
<b>Duration</b>	00000017:00:0	000/00:17:11.334
		000/00:17:11.334
<b>Top Label</b>	12IUHRSPEC01+	
<b>Bottom Label</b>	NIMS ride-along	
<b>Plot Key</b>	UVS	<b>Type</b> SCI
<b>CDS Bytes</b>	38	<b>Report Options</b> BOTH
		<b>Scan Platform</b> Yes
<b>CDS Source</b>	OAP	<b>Spin State</b> DUAL
		<b>DMS</b> Yes
<b>Observation Objective</b>		
<p>12IUHRSPEC01: Ride-along with the NIMS 12IUHRSPEC01 observation to observe Io in the 1600Å to 3200Å wavelength regions at phase angles not obtainable from the Earth. Data will supplement and complement the NIMS surface property measurements.</p> <p>Rj = 10.0, sunlight                  UVS configuration: full F/F scans.</p> <p>MBTG = ((1008 bps) * (367 sec)) * 0.3 (compression) = 0.111</p>		
<b>Design Detail</b>		
CDS RIM COM	PARAMETERS	PSID
-----	-----	-----
38	000 CM...	(157CG)
001	UVS,07,S,N,N,N,S,0, ON,OFF,OFF, ON,OFF,NOOVR,1,00,9C,00,00	
017	UVS,C1,F,N,N,N,S,0,OFF,OFF, ON,OFF,OFF,NOOVR,1,2C,05,00,00	

Thu Nov 6 20:03:10 1997

12INHRSPEC01



Start UTC\_TIME : 1997-350 // 14:14:34.307  
No End Time :  
Start SCLK : 1/04262853:00:0:0  
Target Body : IO  
Target Ra/Dec : 51.71 / 21.09 Deg  
S/C to Body Center : 517079.1 Km ( 283.43196 Ri )  
Z-axis Pointing ( Ra / Dec ) : 140.40 / 17.20 Deg

Week Date	Start Time	End Time	Duration	Activity	Team	Group	Actid	Plotkey	CDS
50	12/15/97	97-349/12:49:54.400	97-349/14:24:57.067	1:35:02.667	UVS Europa Atmosphere	SWG	12EUATMOS_01-	UVS	148
50	12/15/97	97-349/15:49:53.067	97-349/17:24:55.734	1:35:02.667	UVS Europa Atmosphere	SWG	12EUATMOS_02-	UVS	148
50	12/15/97	97-349/18:57:57.067	97-349/23:34:59.734	4:37:02.667	UVS Io Atmosphere Observation	SWG	12IUATMOS_01-	UVS	450
51	12/16/97	97-350/06:59:53.066	97-350/07:36:17.866	36:24.000	UVS r/a Europa Global	SWG	X12EUGLOBAL01+	UVS	38
51	12/16/97	97-350/12:28:29.732	97-350/12:43:39.732	15:10.000	UVS r/a Europa Surface	SWG	X12EUICEERG01+	UVS	38
51	12/16/97	97-350/12:43:39.732	97-350/12:59:50.399	16:10.667	UVS r/a Europa Surf. Comp. and	SWG	12EUDLINEA01+	UVS	38
51	12/16/97	97-350/14:10:37.000	97-350/14:27:48.334	17:11.334	UVS r/a Io High Spectral	SWG	12IUHRSPEC01+	UVS	38

\*\*\* TOTAL CDS BYTES \*\*\* 898

4 Missions on  
~~97-350~~ 97-350 Ave to AACs  
 anomaly

350/00:07:40-350/01:34:20 JNJUPRTS02  
 350/05:54:20-350/07:21:00 JNJUPRST03, ENGLOBAL01  
 350/07:21:00-350/08:47:40 ENGLOBAL01  
 350/11:41:00-350/13:07:40 ENCPWYLL01, ESCHAOS\_01, ESMOTTLE01,  
 ESWEDGE\_01, ESWEDGE\_02, ESWEDGE\_03,  
 ESILOMOD01, ENICEBRG01, EPHOTSPT02



ENGLOBAL01

(91.413, 91.001)

en clk  
-(225.785, -19.199)

Ra Dec

ENICEBERG

~~276.878~~  
 (84.317, 276.878)

en clk

(50.385, 19.615)

Ra Dec

From: IN%"KTOBISKA@gllsvc.jpl.nasa.gov" 18-DEC-1997 17:34:39.40  
To: IN%"jajello@jpluvs.jpl.nasa.gov", IN%"simmons@pisces.colorado.edu", IN%"  
CC:  
Subj: Anomaly update

Return-path: <KTOBISKA@glvax0.jpl.nasa.gov>  
Received: from glvax0.jpl.nasa.gov by pisces.colorado.edu (PMDF V4.2-13 #26137)  
id <01.IRBSVXACWG0192HA@pisces.colorado.edu>; Thu, 18 Dec 1997 17:34:12 GMT  
Date: Thu, 18 Dec 1997 09:34:56 -0800  
From: KTOBISKA@gllsvc.jpl.nasa.gov  
Subject: Anomaly update  
To: jajello@jpluvs.jpl.nasa.gov, simmons@pisces.colorado.edu,  
rutzg@pisces.colorado.edu, gebben@pisces.colorado.edu,  
zipke@pisces.colorado.edu, pryor@pisces.colorado.edu,  
stewart@pisces.colorado.edu  
Message-id: <971218093456.20201f3f@gllsvc.jpl.nasa.gov>  
Content-transfer-encoding: 7BIT  
X-Vmsmail-To: @JPLUVS

From: SMTP%"jerickso@mail1.jpl.nasa.gov" 18-DEC-1997 08:29:11.94  
To: KTOBISKA  
CC:  
Subj: AACS Anomaly Status Report (and EPD Status)

Message-Id: <v03102800b0bef9fd4234@[137.78.212.12]>  
Mime-Version: 1.0  
Content-Type: text/plain; charset="us-ascii"  
Date: Thu, 18 Dec 1997 08:31:15 -0800  
To: gem\_project@donatello.jpl.nasa.gov  
From: Jim Erickson <jerickso@mail1.jpl.nasa.gov>  
Subject: AACS Anomaly Status Report (and EPD Status)

Status of the E-12 AACS Anomaly as of Thursday 12/18 8:00 PST.

- 1). As of 08:19 (12:19 am local), we are now receiving playback packets from the s/c. We have successfully swapped all AACS redundant elements back to their prime (nominal) configuration.
- 2). The AACS analysts believe that the background radiation during the perijove passage caused a star dropout problem. How exactly this cascaded into the observed problem is yet to be determined. Further analysis is pending.
- 3). Key time events are as follows:  
349/23:27 SEQID problems begin.  
350/00:21 Scan Platform safed to 153 cone (SBA swapped).  
350/01:14 Deuce electronics swapped.  
350/03:14 Additional SEQID problems.  
350/11:27 End of SEQID problems. Likely end of anomaly.
- 4). Further information will be disseminated when available.

Status of the E-12 EPD Anomaly as of Thursday 12/18 8:00 PST.

- a). EPD has been turned off and its replacement heater turned on.
- b). Problem symptoms are that the instrument stopped sending science packets to the ground, and the LEMMS and CMS telescope temperatures began

to drop. These temperatures were consistent with the instrument being in standby mode with the telescopes not powered.

c). However, subsequent MRO's have shown that the instrument is not in standby. In order to ensure the safety of the instrument, the instrument team at APL requested the instrument be turned off. Commanding to turn the instrument off and its replacement heater on occurred late on 12/17.

d). Further analysis is continuing.

-Jim E-