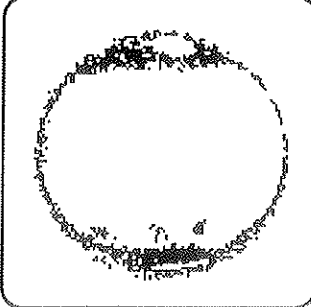
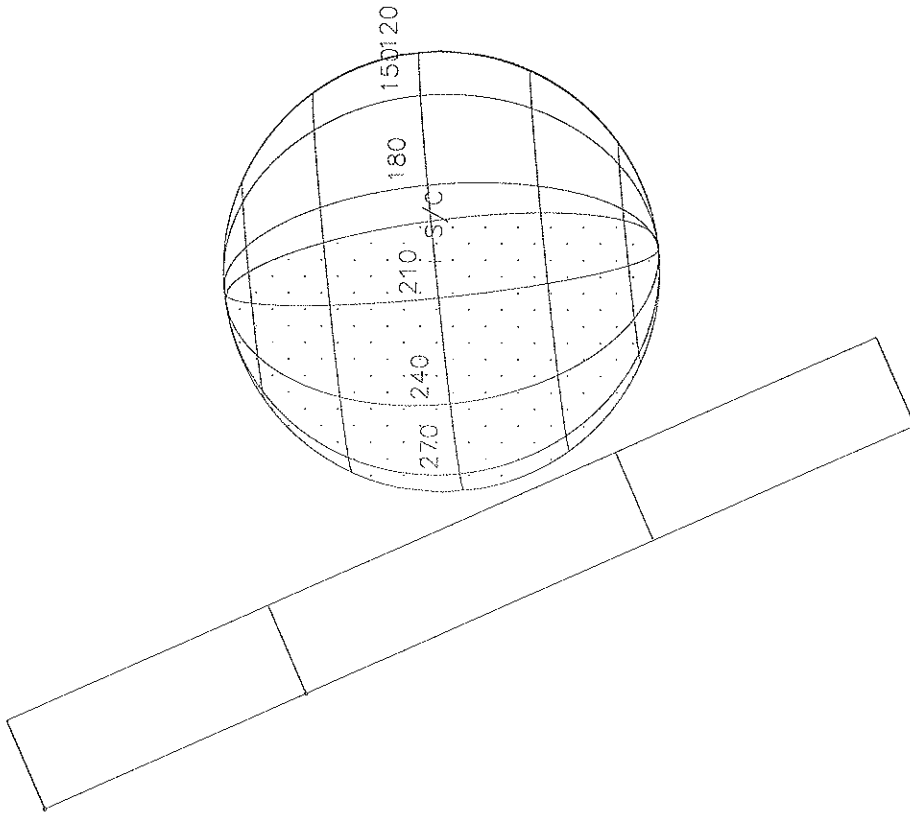


Activity ID: Orbit 18	OAPEL EUATMOS_	SeqNo 01-
Title	UVS Europa Atmosphere Observation	Instrument UVS
Requestor	UVS-SWG/W. SWEET X30523	Team UVS Working Group SWG
Time System CDS	Load ID 18A	Calendar Date 11/21/98 Week 47
Start	JEE-CDS 00001118:00:0	98-325/12:40:33.867 JEE-000/18:50:25.333
End	JEE-CDS 00000839:00:0	98-325/17:22:39.867 JEE-000/14:08:19.333
Duration	00000279:00:0	000/04:42:06.000 000/04:42:06.000
Top Label	18EUATMOS_01-	
Bottom Label	real-time	
Plot Key	UVS	Type SCI
CDS Bytes	518	Report Options BOTH Scan Platform Yes
CDS Source	OAP	Spin State DUAL DMS No
<b>Observation Objective</b>		
	<p>18EUATMOS_01: Europa atmosphere observation. We will look for Europa atmospheric emissions (oxygen, hydrogen and sulfur, as well as other possibilities). We will also monitor the tenuous atmosphere for possible outgassing episodes. Observe Europa's atmosphere for ~4 1/2 hours. 200' longitude.</p> <p>1st 1.5 hours, on nightside, full G/G scans.                  2nd 1.5 hours (PWS quiet) 1304-1319 Å 1 step G/G mini-scans on dayside.                  3rd 1.5 hours 1304-1304 Å 16 step G/G mini-scans                  -1 radii from Europa for 30 rims                  +1 radii from Europa for 30 rims                  +2 radii from Europa for 30 rims</p> <p>Rj = 14.5 - 13.4                  MBTG = 17712 bits/flush * 5 flushes = 0.089                  [NOTE: Waiver G-14 for cone 77.]</p>	
	POINTER	SEQ
CDS RIM	COMMAND PARAMETERS	Design Detail
0	000 COMMENT UVS RIM 0	(384CA)
28	003+UVFLUSH DISCRD,UVS	(349CA)
80	003 CMDRS	(157CA)
004	1 34UVS,07,S,N,N,N,S,0,OFF,OFF,	ON, ON,OFF,NOOVR,1,2C,9D,00,00
092	89 34UVS,C1,F,N,N,N,S,0,OFF,OFF,	ON,OFF,OFF,NOOVR,1,2C,05,00,00
101	98 34UVS,C1,F,N,N,N,S,0,OFF,OFF,	ON, ON,OFF,NOOVR,1,9C,05,00,0A
188	185 34UVS,D1,F,N,N,N,S,0,OFF,OFF,	ON, ON,OFF,NOOVR,1,94,45,00,00
279	276 34UVS,C1,F,N,N,N,S,0,OFF,OFF,	ON,OFF,OFF,NOOVR,1,2C,05,00,00
54	004 TARGET TMC, darkside on body	(165CA) cone_off 1.1, (RA/Dec=254.24/-22.77)
28	091+UVFLUSH PACKET,UVS	(349CB)
54	101 TARGET TMC, brightside on body	(165CE) cone_off TBD, (RA/Dec=250.81/-22.36)
28	186+UVFLUSH PACKET,UVS	(349CC)
54	188 TARGET with TMC -1 radii off body	(165CB) cone_off 8.0, (RA/Dec=248.64/-22.09)
28	216+UVFLUSH PACKET,UVS	(349CD)
54	218 TARGET with TMC +1 radii off body	(165CC) cone_off -8.5, (RA/Dec=246.71/-21.79)
28	246+UVFLUSH PACKET,UVS	(349CE)
54	248 TARGET with TMC +2 radii off body	(165CD) cone_off -13.0, (RA/Dec=245.54/-21.61)
28	278+UVFLUSH PACKET,UVS	(349CF)

Wed Oct 28 16:57:51 1998

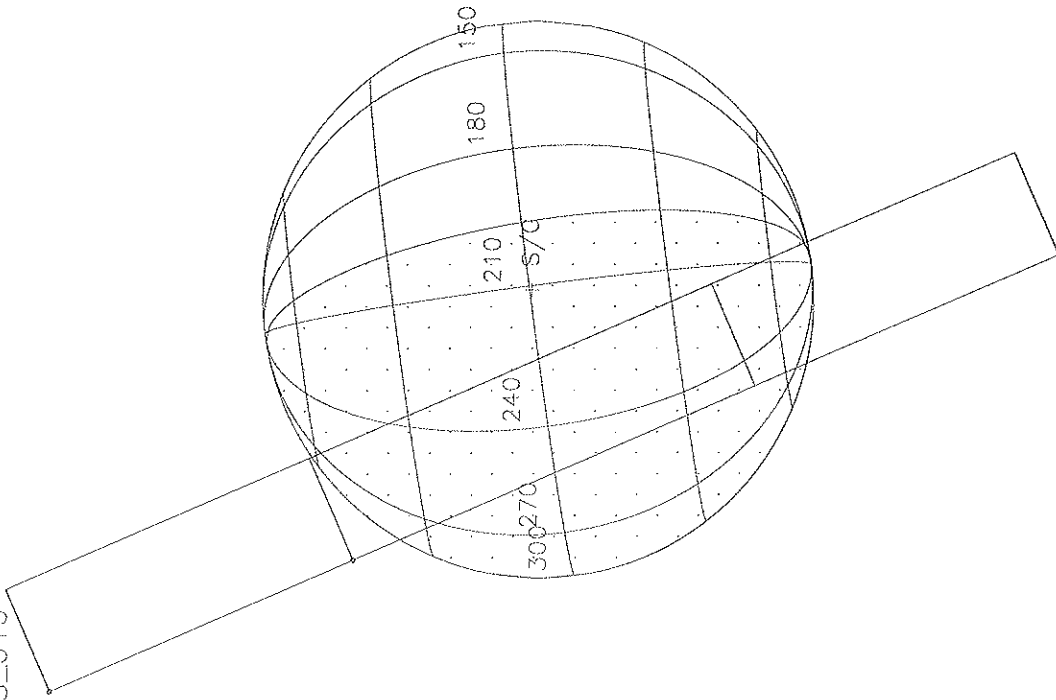
18EUATMOS\_01



Start UTC\_TIME : 1998--325 // 12:44:50.780  
No End Time :  
Start SCLK : 1/04746984:00:0:0  
Target Body : EUROPA  
Target Ra/Dec : 253.90 / -22.75 Deg  
S/C to Body Center : 389719.1 Km ( 249.02179 Re )  
Z-axis Pointing ( Ra / Dec ) : 170.31 / 5.82 Deg

Wed Oct 28 16:59:56 1998

18EUATMOS\_01b



Start UTC TIME : 1998-325 // 14:22:35.443

No End Time :

Start SCLK : 1/04747981:00:0:0

Target Body : EUROPA

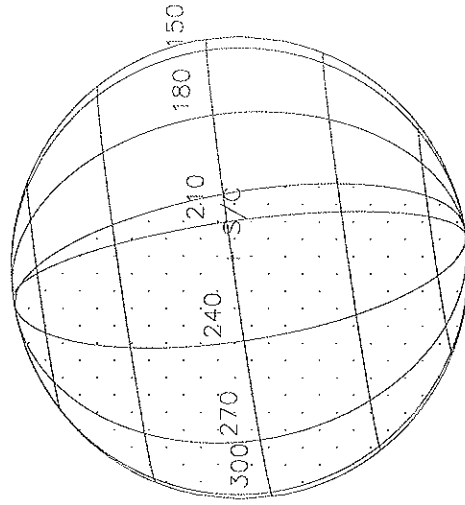
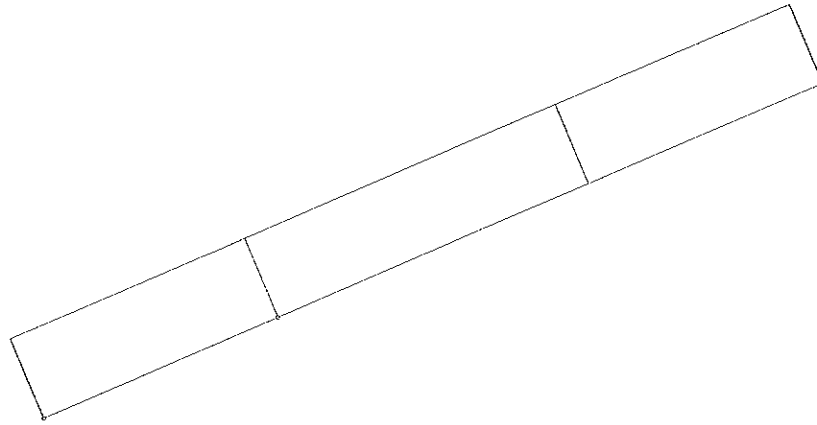
Target Ra/Dec : 250.69/-22.37 Deg

S/C to Body Center : 356653.2 Km ( 227.89344 Re )

Z-axis Pointing ( Ra / Dec ) : 170.31 / 5.82 Deg

Wed Oct 28 17:30:33 1998

18EUATMOS\_01c



Start UTC\_TIME : 1998-325 // 15:49:32.773

No End Time :

Start SCLK : 1/04747167:00:00

Target Body : EUROPA

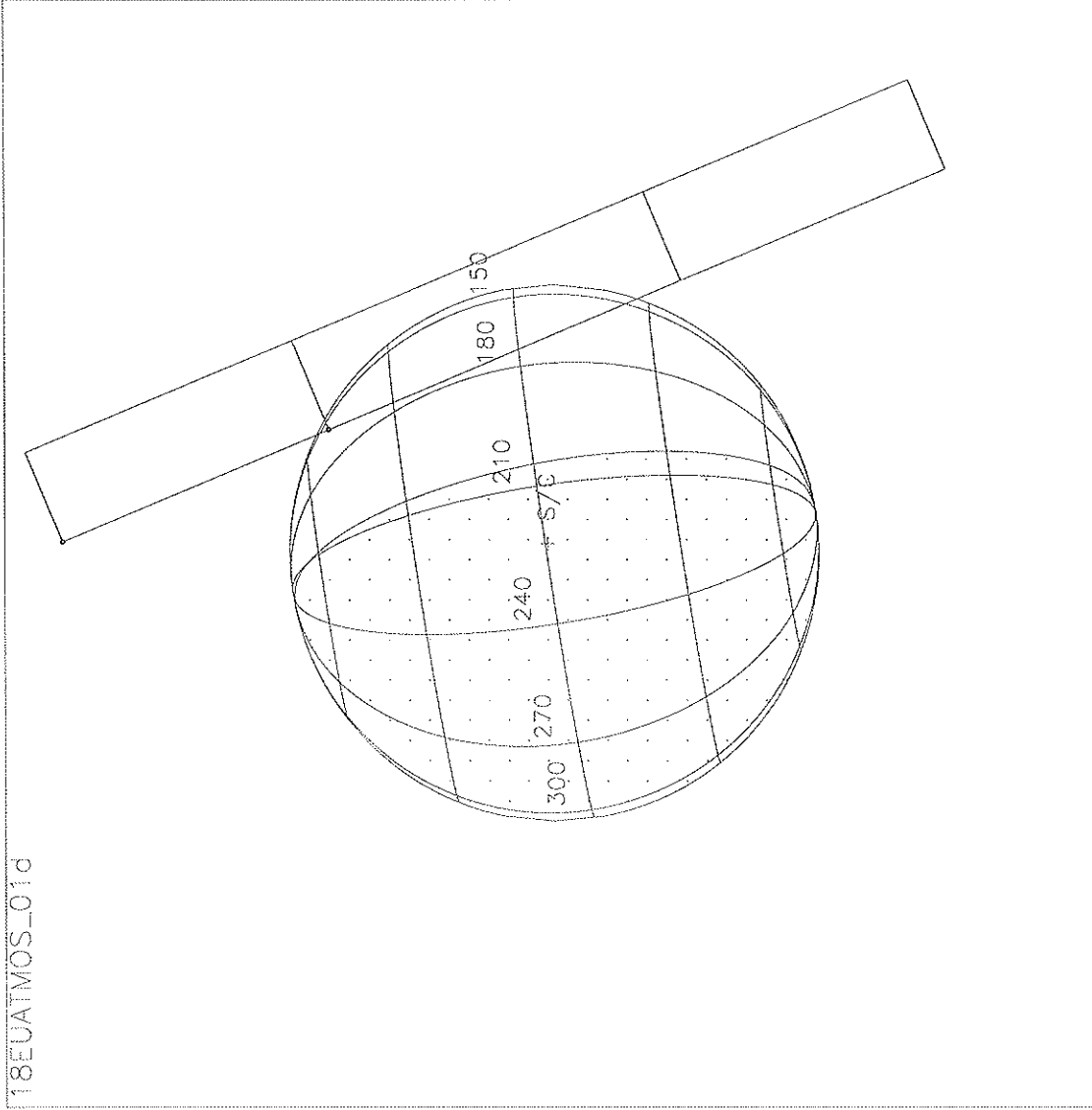
Target Ra/Dec : 247.90 / -21.99 Deg

S/C to Body Center : 331724.4 Km ( 211.96450 Re )

Z-axis Pointing ( Ra / Dec ) : 170.31 / 5.82 Deg

Wed Oct 28 17:31:46 1998

18EUATMOS\_01d



Start UTC TIME : 1998-325 // 16:19:52.772

No End Time :

Start SCLK : 1/04747197:00:0:0

Target Body : EUROPA

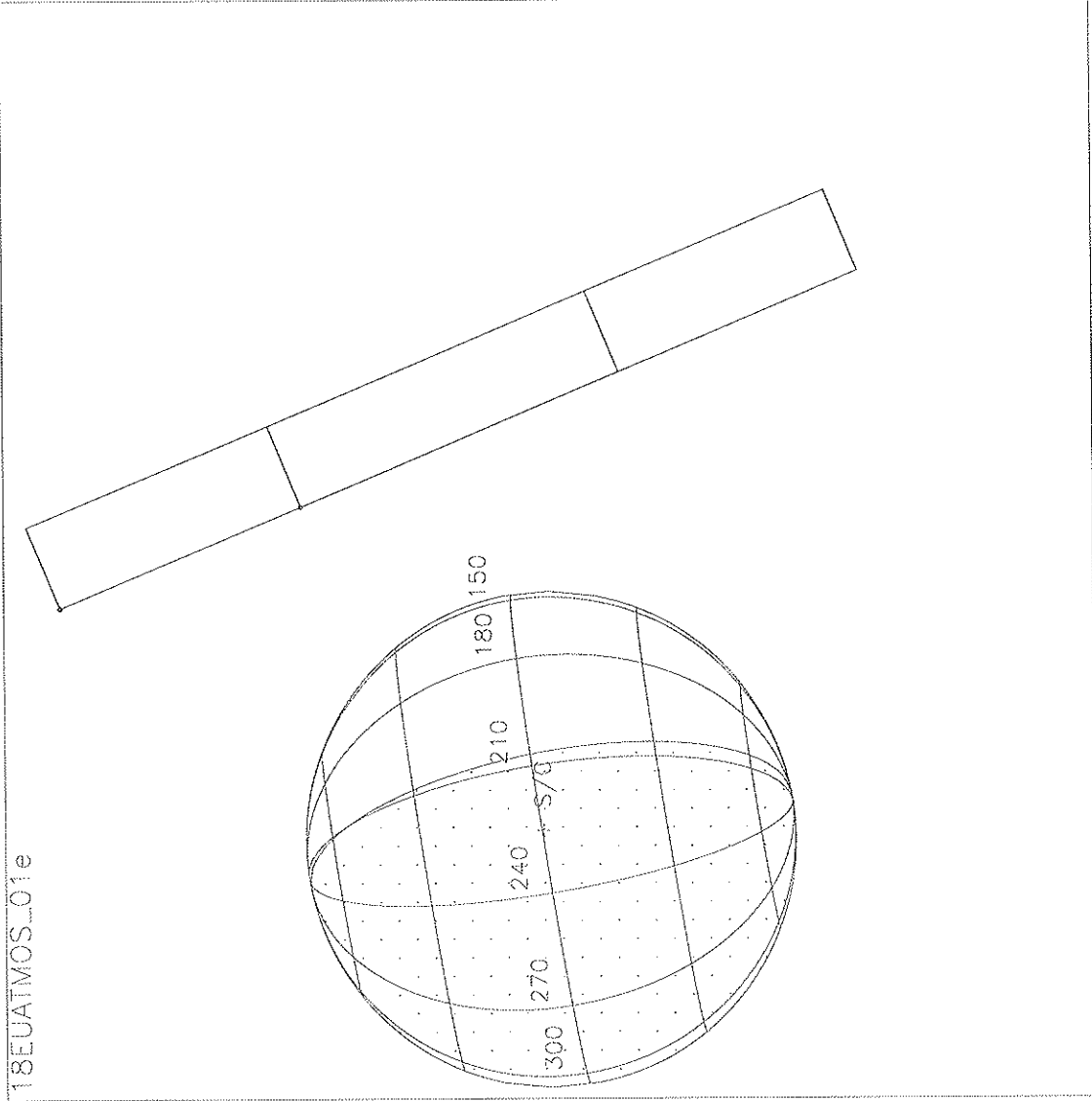
Target Re/Dec : 246.98/-21.86 Deg

S/C to Body Center : 323824.9 Km ( 206.91688 Re )

Z-axis Pointing ( Ra / Dec ) : 170.31 / 5.82 Deg

Wed Oct 28 17:33:12 1998

18EUATMOS\_01e



Start UTC\_TIME : 1998-325 // 16:50:12.771  
No End Time :  
Start SCLK : 1/04747227:00:0:0

Target Body : EUROPA  
Target Ra/Dec : 246.08 / -21.73 Deg  
S/C to Body Center : 316268.2 Km ( 202.08833 Re )  
Z-axis Pointing ( Ra / Dec ) : 170.31 / 5.82 Deg