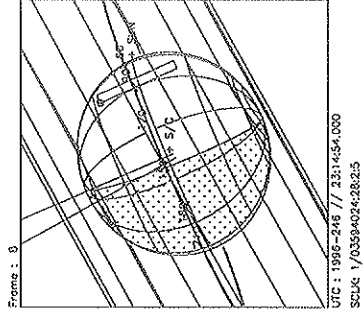
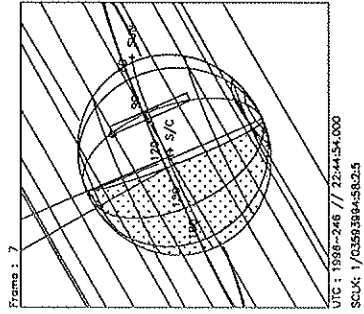
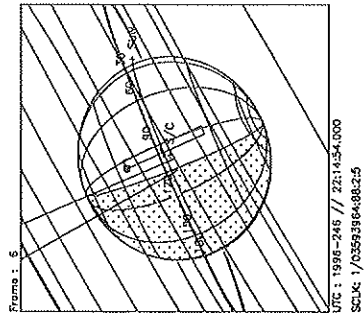
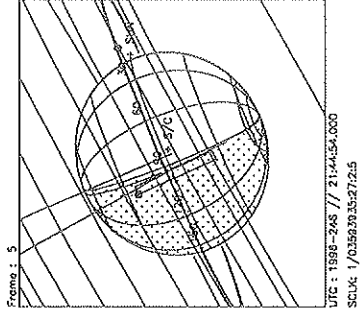
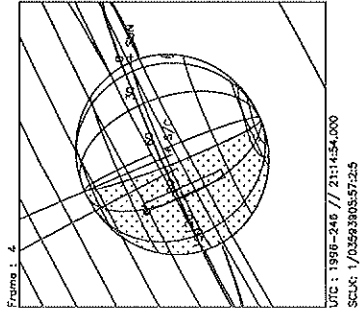
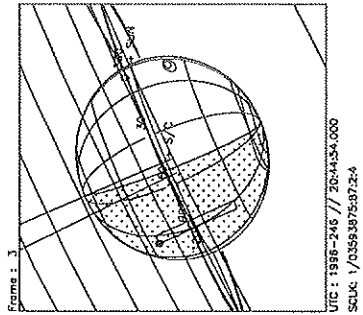
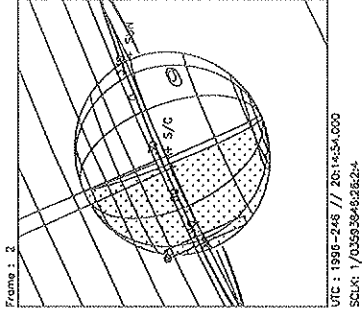
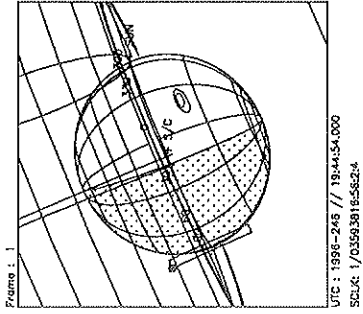
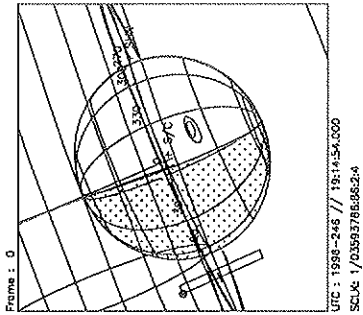


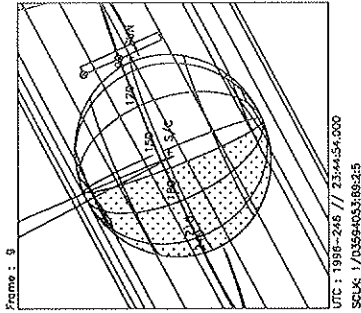
Activity ID:	Orbit G2	OAPEL JUFIXLON	SeqNo	01-		
Title	Fixed longitude map		Instrument	UVS		
Requestor	W.KENTTOBISKA	Team	UVS	Working Group	AWG	
Time System	CDS	Load ID	Calendar Date	09/02/96	Week	36
Start	JEE-CDS 00006791:00:0		96-246/19:10:58.600	JEE-004/18:26:27.333		
End	JEE-CDS 00006487:00:0		96-247/00:18:21.267	JEE-004/13:19:04.666		
Duration	00000304:00:0		000/05:07:22.667	000/05:07:22.667		
Top Label	G2JUFIXLON01-					
Bottom Label	realtime					
Plot Key	UVS	Type	SCI			
CDS Bytes	346	Report Options	BOTH	Scan Platform	Yes	
CDS Source	OAP	Spin State	DUAL	DMS	No	
<b>Observation Objective</b>						
<div style="border: 1px solid black; padding: 5px;"> <p>Fixed longitude map of equatorial H Ly-a bulge (68-95). Ten 1/2 hour segments starting off the darkside then continuing along the equator onto brightside. Observation is interrupted near the end (no time lost during UVS off) while SSI does an Io plume monitor observation.</p> <p>Realtime observation at 10 bps for 5.0 hours; G/G Ly-a 88 step 2 posn miniscan. 10 RIMS UVS OFF/FIXED every 30 RIMS for PWS. Expect RTSFMT=D. Playback ~2 RIMS of recorded data (four 1/2 RIM sets) on tape from PWS observation. Distance from Jupiter = 47 Rj.</p> <p>Last cn/ck = 153/300.</p> <p>[NOTE: 2.018 recorded RIMS = 0.061690 MBTG with a 2:1 compression and no AACs.]</p> </div>						
<b>Design Detail</b>						
PSID	CDS RIM COMMAND PARAMETERS					
384AA	00 00 COMMNT UVS RIM 0					
61AA	37 02+LOOPER DUR = 30 RIMS; REPEAT = 10					
432AA	38 03+OPTRTM UVS_STATUS = INCLUDE; BS = 45					
349AA	28 03+UVFLSH DISCRD,UVS					
157AA	38 03 CMDRS PLAN_DUR = 20 RIMS; EST_UVS_CMDS = 2					
	04 1 34UVS/UVG:DF, FIXED,NORM,NORM,NORM, SAME, 0, OFF, OFF, ON, ON, OFF, NOOVR, 1, 2C, 7D, 00, 2C					
	24 21 34UVS/OFF:C1, FIXED,NORM,NORM,NORM, SAME, 0, OFF, OFF, ON, OFF, OFF, NOOVR, 1, 2C, 05, 00, 00					
165AA	36 04 TARGET Body center cn_off = 25.0; xcn_off = 0.25 (no TMC) (RA/Dec = 202.32/-6.83)					
305AE	00 18+SELECT INSTR=UVS2, COMPR=RICE, CMPR_DVSR=2.0, CMPR_UNC=0.0					
116AA	29 33 CMDSP Lat/lon = 0/90 (no TMC) (RA/Dec = TBD)					
300AE	00 58+DESELC INSTR=UVS2					
117AA	37 64 CSMOS PLAN_DUR = 174 RIMS (44 repositionings)					
305AF	00 78+SELECT INSTR=UVS2, COMPR=RICE, CMPR_DVSR=2.0, CMPR_UNC=0.0					
300AF	00 238+DESELC INSTR=UVS2					
165AZ	36 244 TARGET Lat/lon = 0/87.5 (no TMC) (RA/Dec = 201.02/-6.24)					
	[reposition from SSI/Io observation]					
116AB	29 273 CMDSP Lat/lon = 0/90 (no TMC) (RA/Dec = TBD)					
432AB	38 304+OPTRTM UVS_STATUS = EXCLUDE; BS = 45					

FLYVIEW



Start UTC\_TIME : 1996-246 // 19:14:54.000  
 End UTC\_TIME : 1996-247 // 00:08:08.000  
 Start SCLK : 1/03593786:86:2:4  
 Delta Time between FOV : 1800.000  
 FOVs : N/S Channel(0.1x1.0)

Target Body : JUPITER  
 Target Cone/Clock : 103.87 / 91.28 Deg  
 S/C to Body Center : 3468018. Km ( 48,509174 Rj )  
 Z-axis Pointing ( Ro / Dec ) : 98.60 / 25.00 Deg



Start UTC\_TIME : 1996-246 // 19:14:54.000  
 End UTC\_TIME : 1996-247 // 00:08:08.000  
 Start SCLK : 1/03593786:86:2:4  
 Delta Time between FOV : 1800.000  
 FOVs : N/G Channel(0.1x1.0)

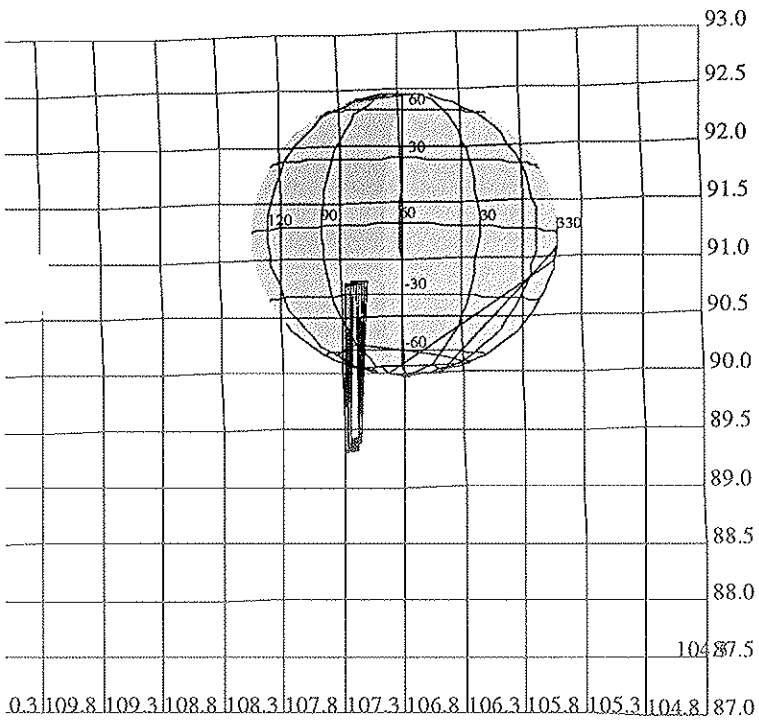
Target Body : JUPITER  
 Target Cone/Clock : 104.93 / 91.27 Deg  
 S/C to Body Center : 3374906. Km ( 47.206763 Rj )  
 Z-axis Pointing ( Ro / Dec ) : 98.60 / 25.00 Deg

Fixed local time map

ACTIVITY ID: G2JUFIXTMD01-

START TIME: 96-247/06:59:45.933

Activity ID: Orbit G2		OAPEL JUFIXTMD		SeqNo 01-	
Title	Fixed local time map			Instrument	UVS
Requestor	W.KENT TOBISKA	Team	UVS	Working Group	AWG
Time System	CDS	Load ID	Calendar Date	09/03/96	Week 36
Start	JEE-CDS 00006090:00:0	96-247/06:59:45.933	JEE-004/06:37:40.000		
End	JEE-CDS 00005486:00:0	96-247/17:10:28.600	JEE-003/20:26:57.333		
Duration	00000604:00:0	000/10:10:42.667	000/10:10:42.667		
Top Label	G2JUFIXTMD01-				
Bottom Label	realtime				
Plot Key	UVS	Type	SCI		
CDS Bytes	251	Report Options	BOTH	Scan Platform	Yes
CDS Source	OAP	Spin State	DUAL	DMS	No
<b>Observation Objective</b>					
<div style="border: 1px solid black; padding: 5px;"> <p>Fixed local time map for global coverage over 1 Jupiter rotation on darkside southern aurora.</p> <p>Realtime observation at 10 bps for 10.0 hours; G/G full scan. 10 RIMS UVS OFF/FIXED every 30 RIMS for PWS. Expect RTSFMT=D. Distance from Jupiter = 44 Rj.</p> <p>Last cn/ck = 153/300.</p> <p>[NOTE: typo in TARGET SLEW XCN_OFF (+21.5 instead of -21.5) made the observation of the northern darkside aurora.]</p> </div>					
<b>Design Detail</b>					
PSID	CDS RIM COMMAND PARAMETERS				
384AB	00 00 COMMENT UVS RIM 0				
61AB	37 02+LOOPER DUR = 30 RIMS; REPEAT = 20				
432AC	38 03+OPTRTM UVS_STATUS = INCLUDE; BS = 45				
349AB	28 03+UVFLSH DISCRD,UVS				
157AB	38 03 CMDRS PLAN_DUR = 21 RIMS; EST_UVS_CMDS = 2				
	04 1 34UVS/UVG:07, SCAN, NORM, NORM, NORM, SAME, 0, OFF, OFF, ON, ON, OFF, NOOVR, 1, 2C, 9D, 00, 00				
	24 21 34UVS/OFF:C1, FIXED, NORM, NORM, NORM, SAME, 0, OFF, OFF, ON, OFF, OFF, NOOVR, 1, 2C, 05, 00, 00				
165AB	72 04 TARGET Body center cn_off=6.5; xcn_off=-21.5 (use TMC) (RA/Dec = 203.66/-8.71)				
	[NOTE: incorrect xcn_off=21.5 was in the sequence, s/p commanded to northern darkside aurora at RA/Dec = 204.53/-6.54]				
432AD	38 604+OPTRTM UVS_STATUS = EXCLUDE; BS = 45				



165AB:TT= 0 TMC= 1 C= 8.00 XC= -19.50 BS= 0/5874 TC= 9  
 A= 728 pD=103740 SR=17.430 RA50=203.65 DEC50= -8.72 cone=107.26 clock= 90.06

ESIGN G1.0 kent : 7/14/1996 13:33:36

ILE:P.G2JUFIXTMD01

ENTRAL BODY:JUPITER III

INI:m.G2JUFIXTMD01

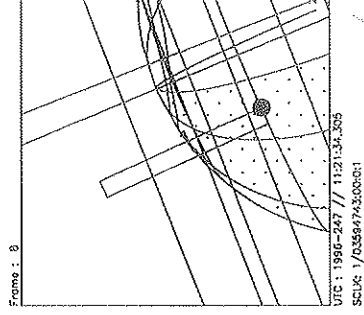
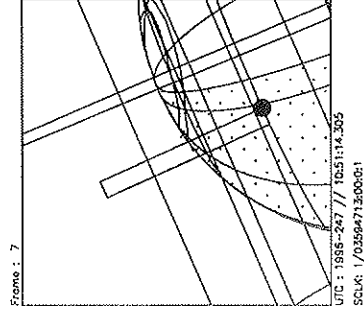
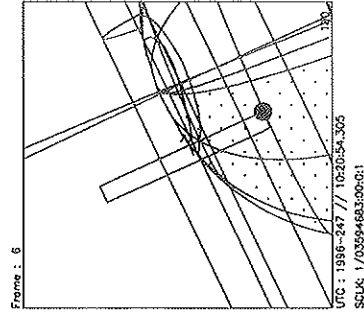
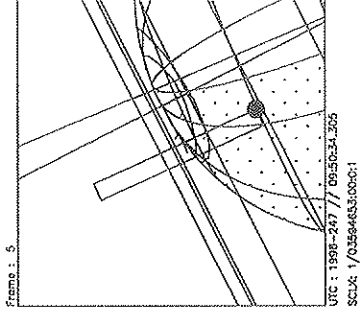
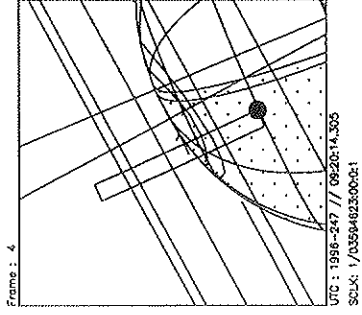
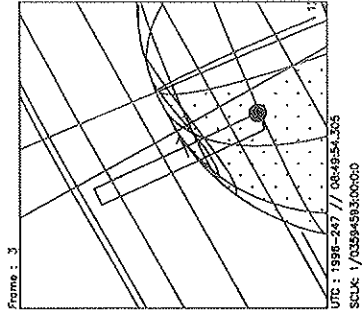
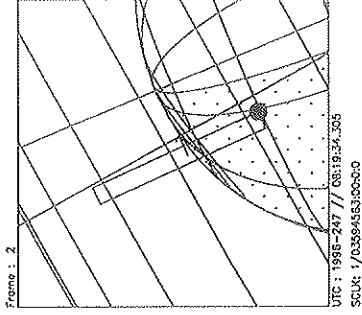
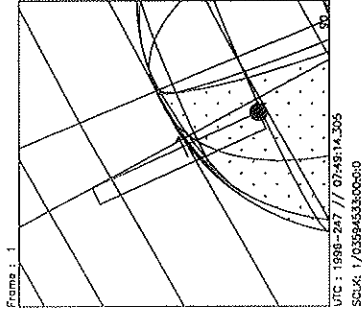
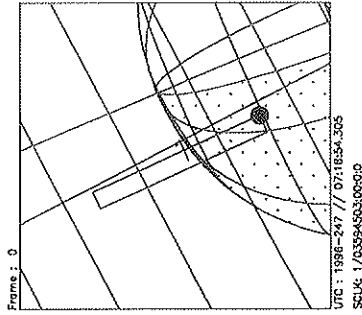
PH:/DATA/NAVIO/T-960628-TOUR.NS

APSIS:

THINNING:NONE :UVS 1

TART:JEE 96-251/13:37:25.933 -CDS 6086:00:0

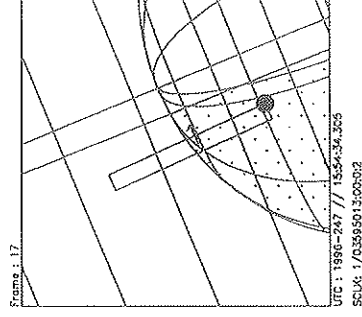
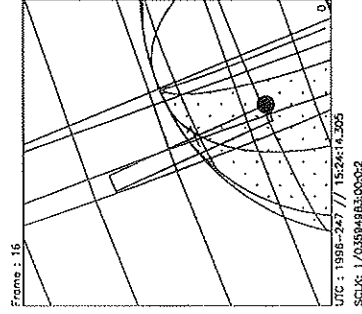
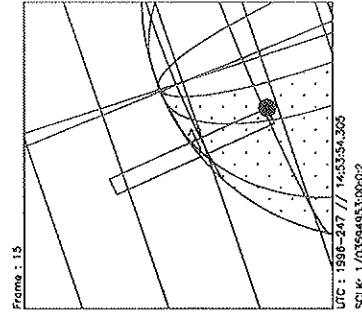
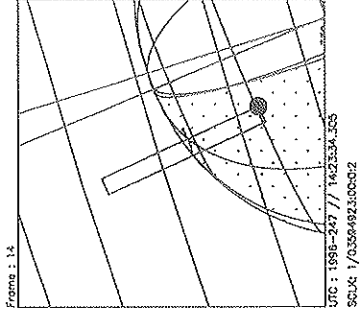
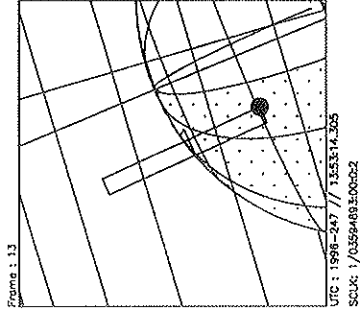
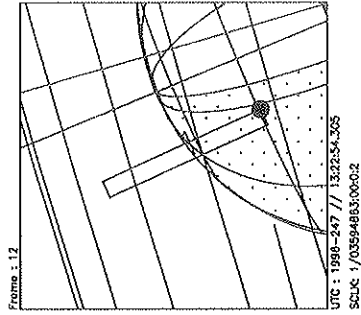
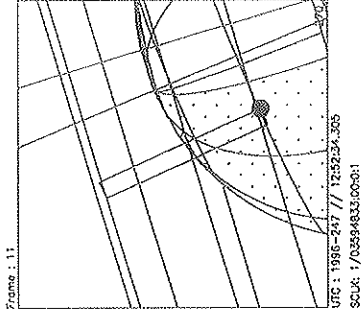
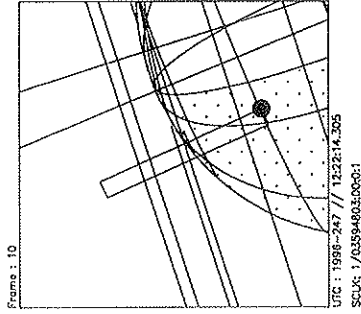
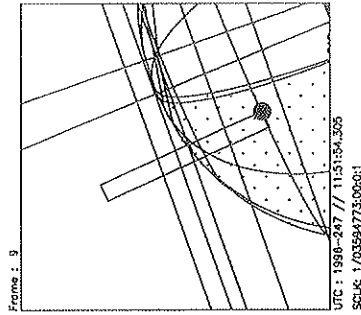
BODY PLOT TIME:TARGET-TIME D=\*\*\*\*\* S= 0.400



Start UTC\_TIME : 1996-247 // 07:18:54.305  
 End UTC\_TIME : 1996-247 // 16:54:13.617  
 Start SCLK : 1/03594503:00:0:0  
 Delta Time between FOV : 1820.000  
 FOVs : F Channel(0.1x0.4), N/G Channel(0.5x0.5)

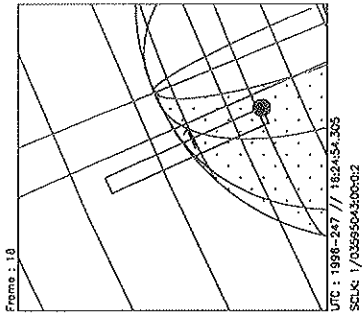
Target Body : JUPITER  
 Target Cone/Clock : 106.87 / 91.23 Deg  
 S/C to Body Center : 3214505. Km ( 44.963138 Rj )  
 Z-axis Pointing ( Ra / Dec ) : 98.60 / 25.00 Deg

*Why does  
 (RCS) show values  
 Nonch. comp. plot.*



Start UTC\_TIME : 1996-247 // 07:18:54.305  
 End UTC\_TIME : 1996-247 // 16:54:13.617  
 Start SCLK : 1/03594503:00:0:0  
 Delta Time between FOV : 1820.000  
 FOVs : F Channel(0.1x0.4), N/G Channel(0.5x0.5)

Target Body : JUPITER  
 Target Cone/Clock : 108.14 / 91.21 Deg  
 S/C to Body Center : 3115636. Km ( 43.580206 Ri )  
 Z-axis Pointing ( Ra / Dec ) : 98.60 / 25.00 Deg



Start UTC\_TIME : 1996-247 // 07:18:54.305  
End UTC\_TIME : 1996-247 // 16:54:13.617  
Start SCLK : 1/03594503:00:0:0  
Delta Time between FOV : 1820.000  
FOVs : F Channel(0.1x0.4), N/G Channel(0.5x0.5)

Target Body : JUPITER  
Target Cone/Clock : 109.48 / 91.18 Deg  
S/C to Body Center : 3014875. Km ( 42.170796 Rj )  
Z-axis Pointing ( Ro / Dec ) : 98.60 / 25.00 Deg

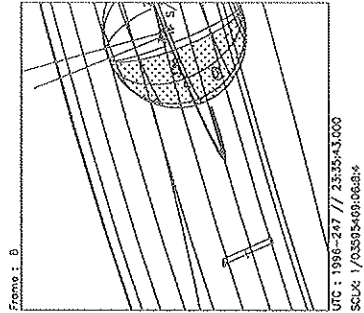
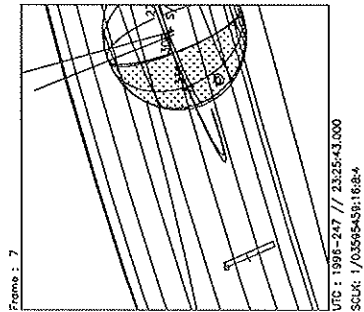
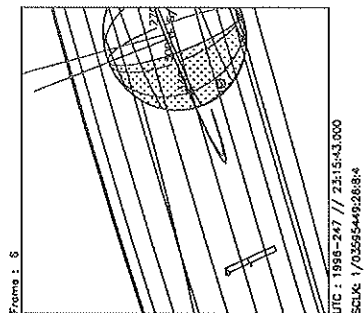
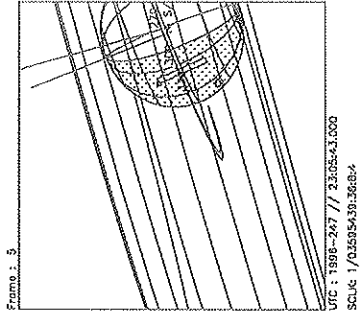
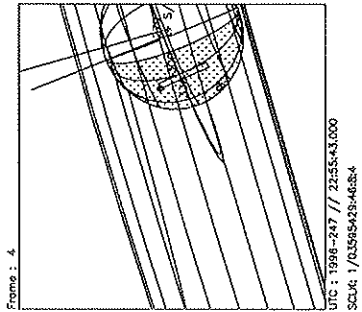
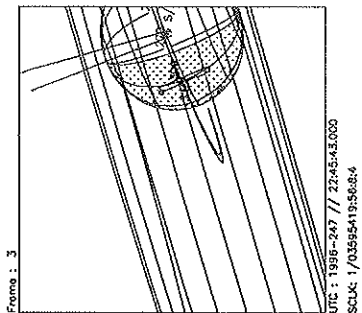
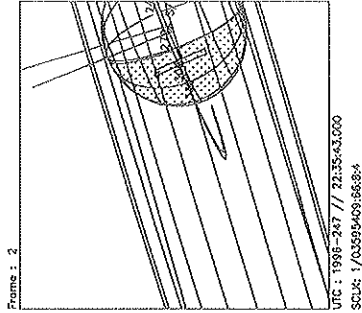
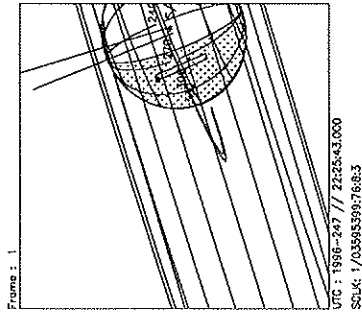
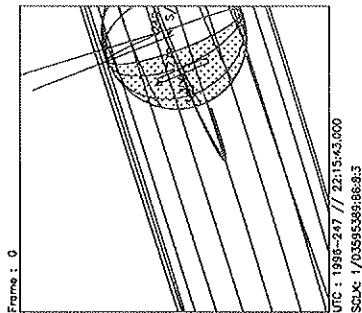


Darkside map

ACTIVITY ID: G2JUDRKMAP01-

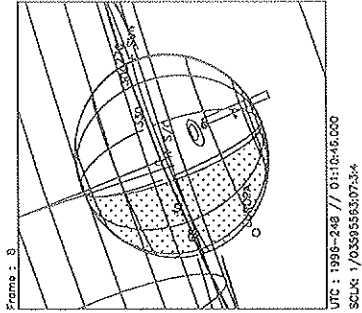
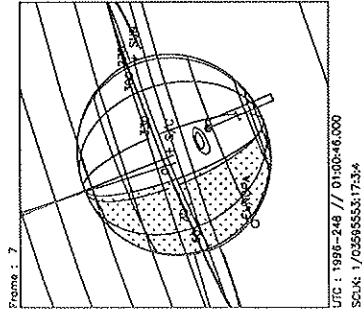
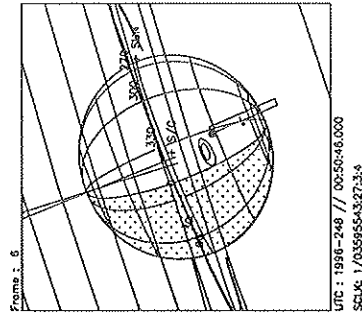
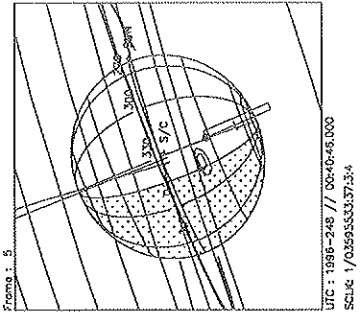
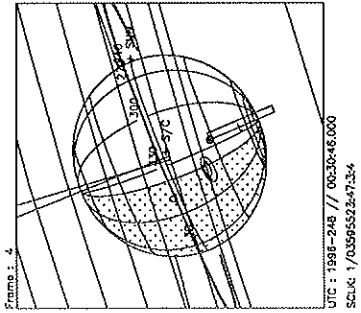
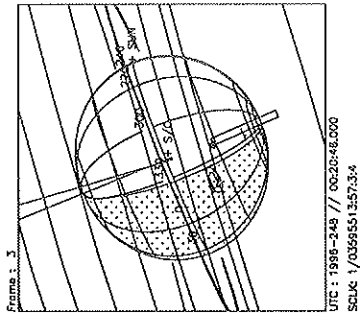
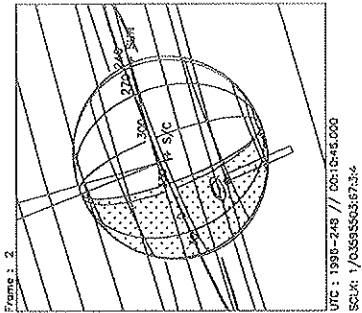
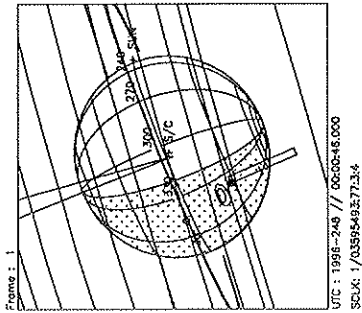
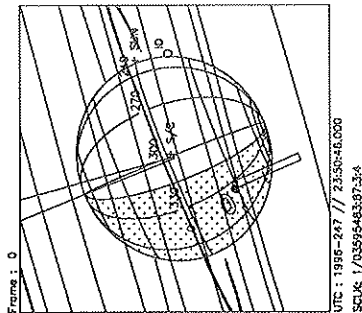
START TIME: 96-247/22:11:47.267

<b>Activity ID:</b> Orbit G2	<b>OAPEL</b> JUDRKMAP	<b>SeqNo</b> 01-
<b>Title</b> Darkside map		<b>Instrument</b> UVS
<b>Requestor</b> W. KENTTOBISKA	<b>Team</b> UVS	<b>Working Group</b> AWG
<b>Time System</b> CDS	<b>Load ID</b>	<b>Calendar Date</b> 09/03/96 <b>Week</b> 36
<b>Start</b> JEE-CDS 00005188:00:0	96-247/22:11:47.267	JEE-003/15:25:38.666
<b>End</b> JEE-CDS 00005094:00:0	96-247/23:46:49.933	JEE-003/13:50:36.000
<b>Duration</b> 00000094:00:0	000/01:35:02.666	000/01:35:02.666
<b>Top Label</b> G2JUDRKMAP01-		
<b>Bottom Label</b> realtime		
<b>Plot Key</b> UVS	<b>Type</b> SCI	
<b>CDS Bytes</b> 249	<b>Report Options</b> BOTH	<b>Scan Platform</b> Yes
<b>CDS Source</b> OAP	<b>Spin State</b> DUAL	<b>DMS</b> No
<b>Observation Objective</b>		
	Global mapping of equatorial darkside H Ly-a (274-308) and off planet to get Ly-a sky background.	
	Realtime observation at 10 bps for 1.5 hours; G/G Ly-a 88 step 2 posn miniscan. 5 RIMS UVS OFF/FIXED every 30 RIMS for PWS. Expect RTSFMT=D. Distance from Jupiter = 40 Rj.	
	Last cn/ck = 153/300.	
<b>Design Detail</b>		
PSID	CDS RIM COMMAND PARAMETERS	
384AC	00 00 COMMNT UVS RIM 0	
61AC	37 02+LOOPER DUR = 30 RIMS; REPEAT = 3	
432AE	38 03+OPTRTM UVS_STATUS = INCLUDE; BS = 45	
349AC	28 03+UVFLSH DISCRD,UVS	
157AC	38 03 CMDRS PLAN_DUR = 26 RIMS; EST_UVS_CMDS = 2	
	04	1 34UVS/UVG:DF, FIXED, NORM, NORM, NORM, SAME, 0, OFF, OFF, ON, ON, OFF, NOOVR, 1, 2C, 7D, 00, 2C
	29	26 34UVS/OFF:C1, FIXED, NORM, NORM, NORM, SAME, 0, OFF, OFF, ON, OFF, OFF, NOOVR, 1, 2C, 05, 00, 00
165AC	36 04 TARGET Lat/lon = 0/274 (no TMC) (RA/Dec = 208.56/-9.58)	
165AD	36 34 TARGET Lat/lon = 0/300 (no TMC) (RA/Dec = 208.88/-9.72)	
165AE	36 64 TARGET CN/CK = 116.12/91.52 (TORUS BACKGROUND) (RA/Dec = 212.46/-10.95)	



Start UTC\_TIME : 1996-247 // 22:15:43.000  
End UTC\_TIME : 1996-247 // 23:41:40.000  
Start SCLK : 1/0359538986:8:3  
Delta Time between FOV : 600.0000  
FOVs : N/G Channel(0.1x1.0)

Target Body : JUPITER  
Target Ra/Dec : 207.86 / -9.41 Deg  
S/C to Body Center : 2882508. Km ( 40.319311 Rj )  
Z-axis Pointing ( Ra / Dec ) : 98.60 / 25.00 Deg



← F/G →  
 in here

Start UTC\_TIME : 1996-247 // 23:50:46.000  
 End UTC\_TIME : 1996-248 // 01:16:42.000  
 Start SCLK : 1/03595483:87:3:4  
 Delta Time between FOV : 600.0000  
 FOVs : N/G Channel(0.1x1.0)

Target Body : JUPITER  
 Target Ra/Dec : 208.36 / -9.63 Deg  
 S/C to Body Center : 2846068. Km ( 39.809606 Rj )  
 Z-axis Pointing ( Ra / Dec ) : 98.60 / 25.00 Deg

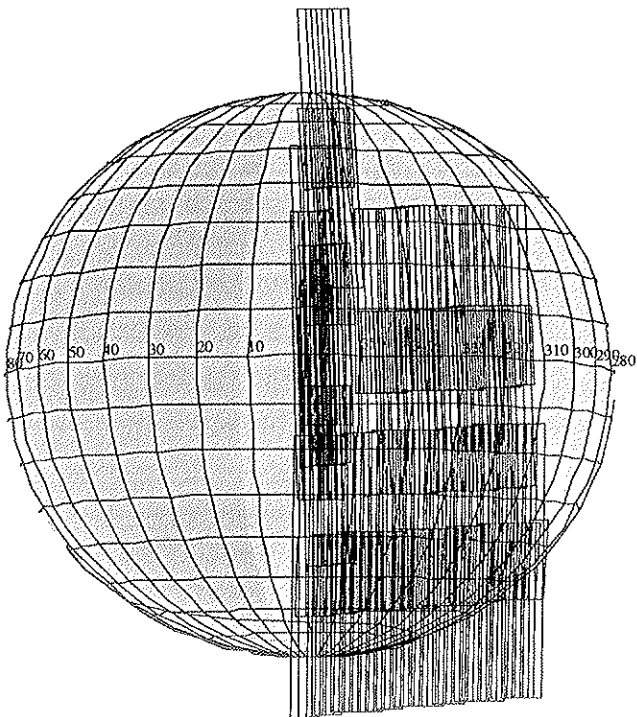
<b>Activity ID:</b> Orbit G2		<b>OAPEL</b> JUAURMAP		<b>SeqNo</b> 01-	
<b>Title</b> Auroral map		<b>Instrument</b> UVS			
<b>Requestor</b> W.KENTTOBISKA		<b>Team</b> UVS		<b>Working Group</b> AWG	
<b>Time System</b> CDS	<b>Load ID</b>	<b>Calendar Date</b> 09/03/96	<b>Week</b> 36		
<b>Start</b>	JEE-CDS 00005094:00:0	96-247/23:46:49.933	JEE-003/13:50:36.000		
<b>End</b>	JEE-CDS 00005000:00:0	96-248/01:21:52.600	JEE-003/12:15:33.333		
<b>Duration</b>	00000094:00:0	000/01:35:02.667	000/01:35:02.667		
<b>Top Label</b>	G2JUAURMAP01-				
<b>Bottom Label</b>	realtime				
<b>Plot Key</b>	UVS	<b>Type</b>	SCI		
<b>CDS Bytes</b>	255	<b>Report Options</b>	BOTH	<b>Scan Platform</b>	Yes
<b>CDS Source</b>	OAP	<b>Spin State</b>	DUAL	<b>DMS</b>	No
<b>Observation Objective</b>					
<div style="border: 1px solid black; width: 150px; height: 150px; display: inline-block; vertical-align: top;"></div> <p>Southern auroral map of dayside - nightside assymetry (320-330).                  Realtime observation at 10 bps for 1.5 hours; G/G full-scan and 2 RIMS F/G full-scan on brightside. 5 RIMS UVS OFF/FIXED every 30 RIMS for PWS. Expect RTSFMT=D. Distance from Jupiter = 39 Rj.                  Last cn/ck = 112.8/93.8 (from DRKMAP)</p>					
<b>Design Detail</b>					
PSID	CDS RIM COMMAND PARAMETERS				
384AD	00	00	COMMNT UVS RIM 0		
61AD	37	02	+LOOPER DUR = 30 RIMS; REPEAT = 3		
349AD	28	03	+UVFLSH DISCRD,UVS		
157AD	38	03	CMDRS PLAN_DUR = 26 RIMS; EST_UVS_CMDS = 2		
	04	1	34UVS/UVG:07,SCAN,NORM,NORM,NORM,SAME,0,OFF,OFF,ON,ON,OFF,NOOVR,1,2C,9D,00,00		
	29	26	34UVS/OFF:C1,FIXED,NORM,NORM,NORM,SAME,0,OFF,OFF,ON,OFF,OFF,NOOVR,1,2C,05,00,00		
165AF	36	04	TARGET Lat/lon = -60/0 (no TMC) (RA/Dec = 208.54/-10.90)		
165AG	36	34	TARGET Lat/lon = -60/320 (no TMC) (RA/Dec = 208.1/-10.72)		
349AE	28	55	+UVFLSH PACKET,UVS		
157AE	24	56	CMDRS PLAN_DUR = 1 RIM; EST_UVS_CMDS = 1		
	57	1	34UVS/UVF:07,SCAN,NORM,NORM,NORM,SAME,0,ON,OFF,ON,ON,OFF,NOOVR,1,00,9C,01,2C		
349AF	28	62	+UVFLSH PACKET,UVS		

Brightside map

ACTIVITY ID: G2JUBRTMAP01-

START TIME: 96-248/01:21:52.600

<b>Activity ID:</b> Orbit G2	<b>OAPEL JUBRTMAP</b>		<b>SeqNo</b> 01-
<b>Title</b>	Brightside map	<b>Instrument</b>	UVS
<b>Requestor</b>	W.KENTTOBISKA	<b>Team</b> UVS	<b>Working Group</b> AWG
<b>Time System</b> CDS	<b>Load ID</b>	<b>Calendar Date</b> 09/04/96	<b>Week</b> 36
<b>Start</b>	JEE-CDS 00005000:00:0	96-248/01:21:52.600	JEE-003/12:15:33.333
<b>End</b>	JEE-CDS 00004696:00:0	96-248/06:29:15.267	JEE-003/07:08:10.666
<b>Duration</b>	00000304:00:0	000/05:07:22.667	000/05:07:22.667
<b>Top Label</b>	G2JUBRTMAP01-		
<b>Bottom Label</b>	realtime		
<b>Plot Key</b>	UVS	<b>Type</b>	SCI
<b>CDS Bytes</b>	401	<b>Report Options</b>	BOTH
<b>CDS Source</b>	OAP	<b>Spin State</b>	DUAL
		<b>Scan Platform</b>	Yes
		<b>DMS</b>	No
<b>Observation Objective</b>			
<p>Global UV energy budget with brightside map. E-W along equator; N-S along central meridian (including the auroral zones).</p> <p>Realtime observation at 10 bps for 5.0 hours; full G/G scan with full F/G for 2 RIMS near the sub-spacecraft point. 10 RIMS UVS OFF/FIXED every 30 RIMS for PWS. Expect RTSFMT=D. Distance from Jupiter = 38 Rj.</p> <p>Last cn/ck = 112.29/89.99 (from AURMAP)</p>			
<b>Design Detail</b>			
PSID	CDS RIM COMMAND	PARAMETERS	
384AE	00 00	COMMT UVS RIM 0	
61AE	37 02+	LOOPER DUR = 30 RIMS; REPEAT = 10	
349AG	28 03+	UVFLSH DISCRD, UVS	
157AF	38 03	CMDRS PLAN_DUR = 21 RIMS; EST_UVS_CMDS = 2	
	04	1 34UVS/UVG:07, SCAN, NORM, NORM, NORM, SAME, 0, OFF, OFF, ON, ON, OFF, NOOVR, 1, 2C, 9D, 00, 00	
	24	21 34UVS/OFF:C1, FIXED, NORM, NORM, NORM, SAME, 0, OFF, OFF, ON, OFF, OFF, NOOVR, 1, 2C, 05, 00, 00	
165AH	36 04	TARGET Lat/lon = 0/0 (no TMC) (RA/Dec = 208.93/-9.76)	
349AH	28 50+	UVFLSH PACKET, UVS	
157AG	24 51	CMDRS PLAN_DUR = 1 RIM; EST_UVS_CMDS = 1	
	52	1 34UVS/UVF:07, SCAN, NORM, NORM, NORM, SAME, 0, ON, OFF, ON, ON, OFF, NOOVR, 1, 00, 9C, 01, 2C	
349AI	28 62+	UVFLSH PACKET, UVS	
165AI	36 184	TARGET Lat/lon = 50/107 (no TMC) (RA/Dec = 210.22/-9.39)	
165AJ	36 214	TARGET Lat/lon = 15/127 (no TMC) (RA/Dec = 210.25/-9.96)	
165AK	36 244	TARGET Lat/lon = -15/145 (no TMC) (RA/Dec = 210.16/-10.69)	
165AL	36 274	TARGET Lat/lon = -50/165 (no TMC) (RA/Dec = 210.16/-11.30)	
432AF	38 304+	OPTRTM UVS_STATUS = EXCLUDE; BS = 45	



165AH:TT= 0 TMC= 1 C= 0.00 XC= 0.00 BS= 0/4254 TC= 1( 0 0 )  
 A= 728 pD= 0 SR= 5.000 RA50=208.93 DEC50= -9.78 cone=112.46 clock= 91.22  
 165AI:TT= 0 TMC= 1 C= 0.00 XC= 0.00 BS= 0/7014 TC= 1(50 107 )  
 A= 728 pD= 0 SR= 4.000 RA50=210.29 DEC50= -9.25 cone=113.49 clock= 92.32  
 165AJ:TT= 0 TMC= 1 C= 0.00 XC= 0.00 BS= 0/2474 TC= 1(15 127 )  
 A= 728 pD= 0 SR= 3.000 RA50=210.25 DEC50= -9.98 cone=113.74 clock= 91.58  
 165AK:TT= 0 TMC= 1 C= 0.00 XC= 0.00 BS= 0/7934 TC= 1(-15 145 )  
 A= 728 pD= 0 SR= 3.000 RA50=210.16 DEC50= -10.70 cone=113.94 clock= 90.81  
 165AL:TT= 0 TMC= 1 C= 0.00 XC= 0.00 BS= 0/3394 TC= 1(-50 165 )  
 A= 728 pD= 0 SR= 3.000 RA50=210.09 DEC50= -11.49 cone=114.17 clock= 89.98

ESIGN G1.0 kent : 7/12/1996 14:32:19

FILE:P.G2JUBRTMAP01

ENTRAL BODY:JUPITER III

INI:m.G2JUBRTMAP01

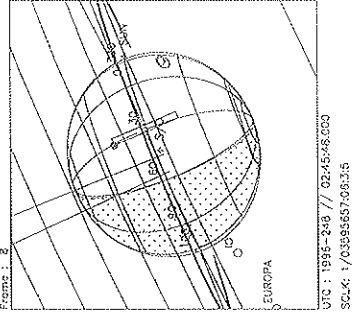
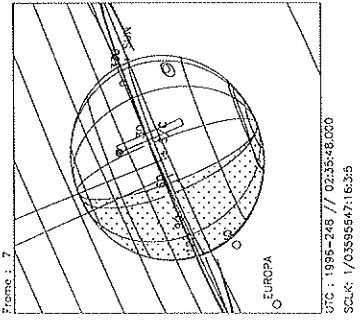
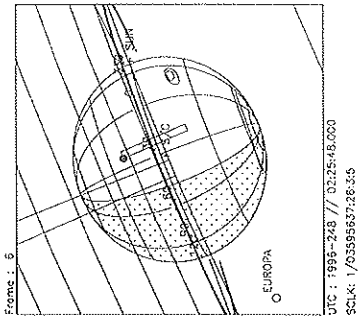
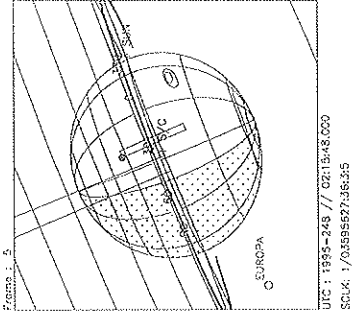
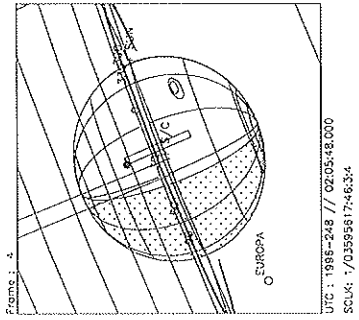
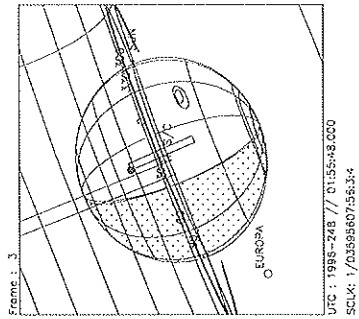
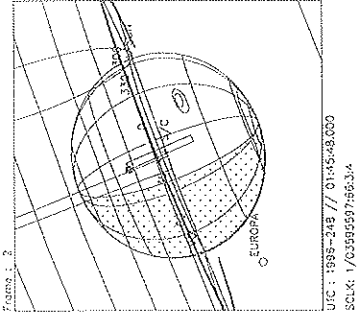
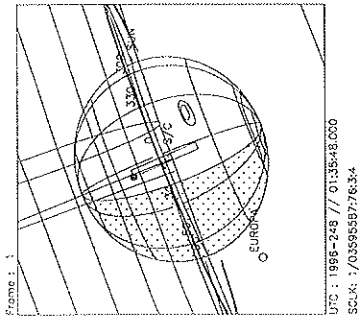
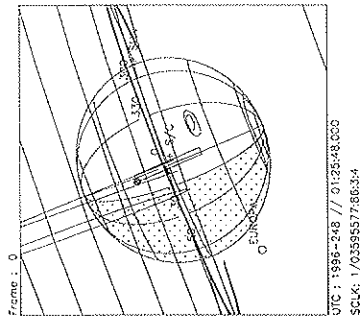
PH:/DATA/NAVIO/T-960628-TOUR.NS

ERIAPSIS:

THINNING:NONE :UVS 14

TART:JEE 96-251/13:37:25.933 -CDS 4996:00:0

BODY PLOT TIME:START-TIME D= 0 S= 0.800

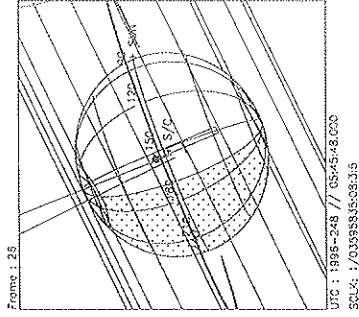
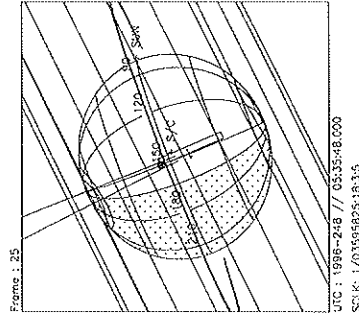
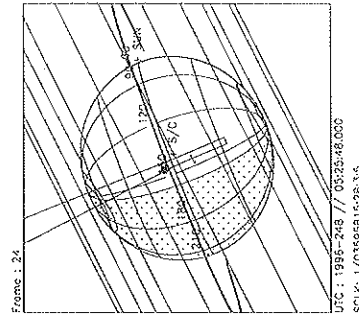
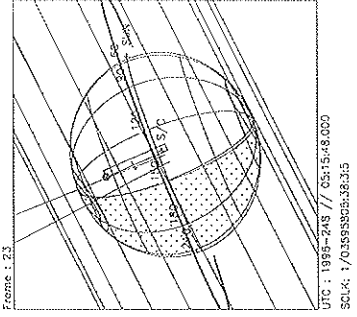
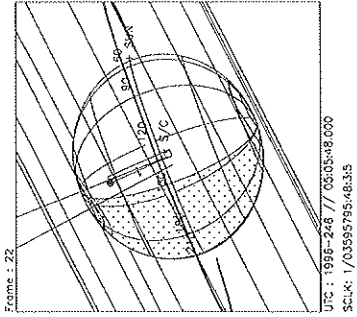
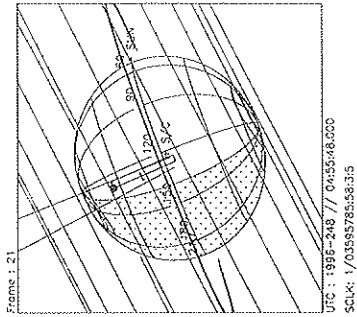
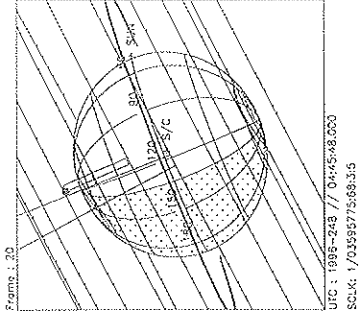
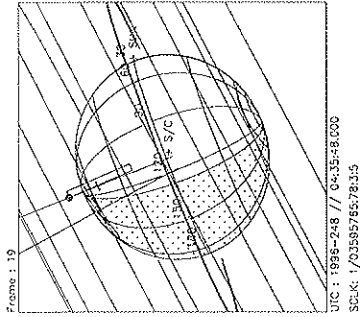
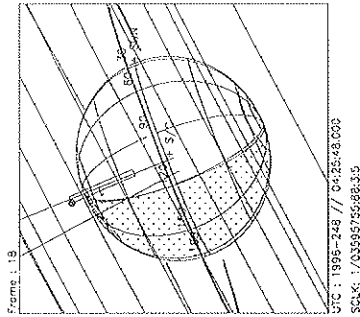


Start UTC\_TIME : 1996-248 // 01:25:48.000  
End UTC\_TIME : 1996-248 // 06:19:02.000  
Start SCLK : 1/03595577:86:3:4  
Delta Time between FOV : 600.0000  
FOVs : N/G Channel(0.5x0.5)

Target Body : JUPITER  
Target Cone/Clock : 112.44 / 91.13 Deg  
S/C to Body Center : 2809.383 Km ( 39.296473 Rj )  
Z-axis Pointing ( Ro / Dec ) : 98.60 / 25.00 Deg

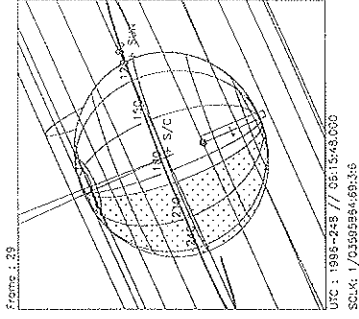
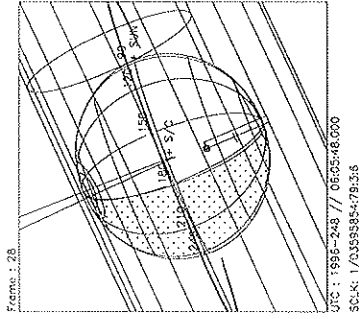
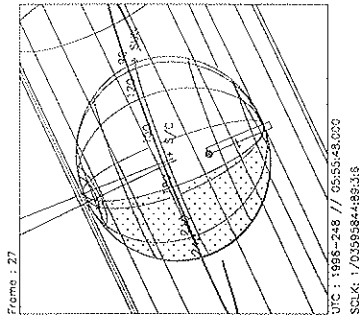






Start UTC\_TIME : 1996-248 // 01:25:48.000  
End UTC\_TIME : 1996-248 // 06:19:02.000  
Start SCLK : 1/0359557786:34  
Delta Time between FOV : 600.0000  
FOVs : N/G Channel(0.5x0.5)

Target Body : JUPITER  
Target Cone/Clock : 113.52 / 91.10 Deg  
S/C to Body Center : 2739199. Km ( 38.314764 Rj )  
Z-axis Pointing ( Re / Dec ) : 98.60 / 25.00 Deg

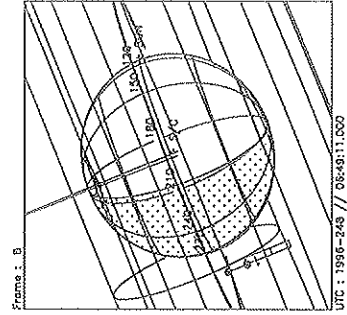
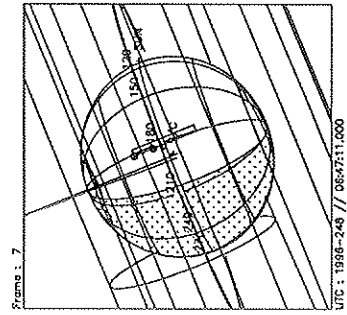
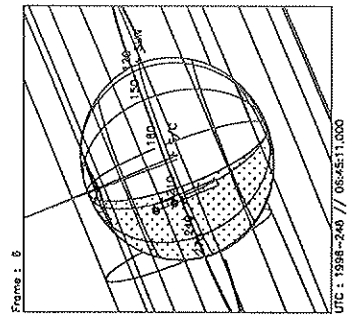
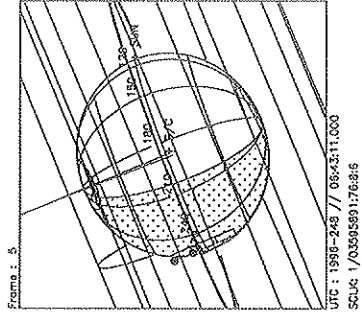
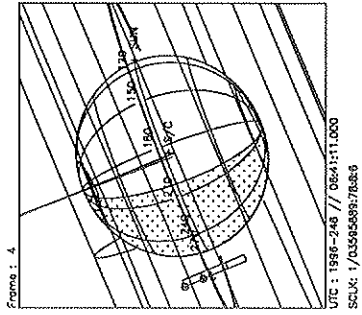
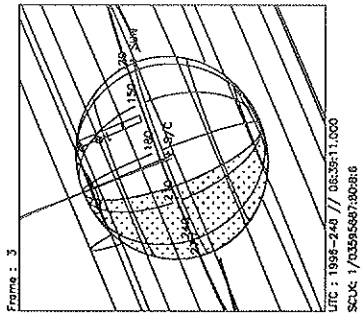
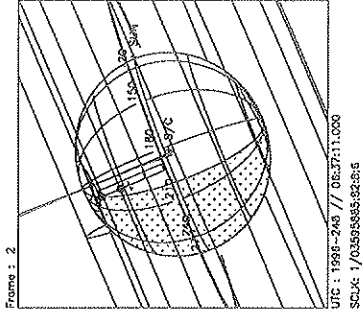
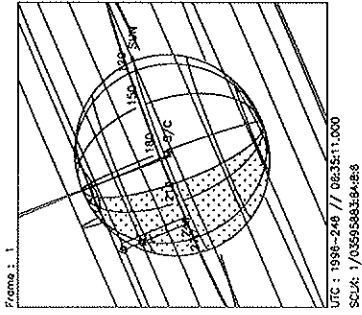
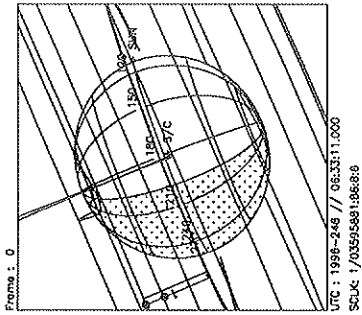


Start UTC\_TIME : 1996-248 // 01:25:48.000  
 End UTC\_TIME : 1996-248 // 06:19:02.000  
 Start SCLK : 1/03595577.86:314  
 Delta Time between FOV : 600.0000  
 FOVs : N/G Channel(0.5x0.5)

Target Body : JUPITER  
 Target Cone/Clock : 114.08 / 91.09 Deg.  
 S/C to Body Center : 2703757. Km ( 37.819020 Rj )  
 Z-axis Pointing ( Ra / Dec ) : 98.60 / 25.00 Deg

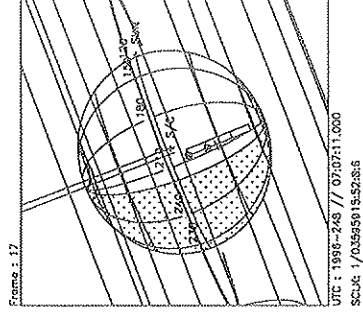
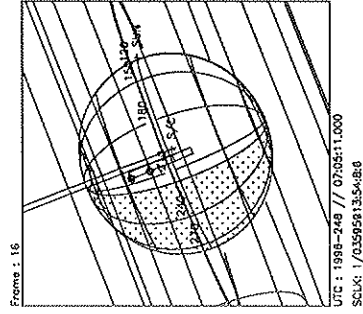
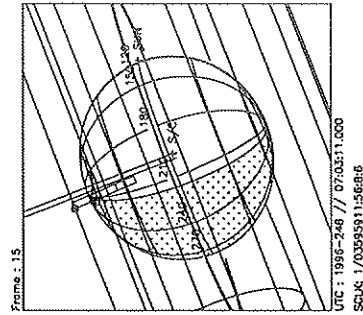
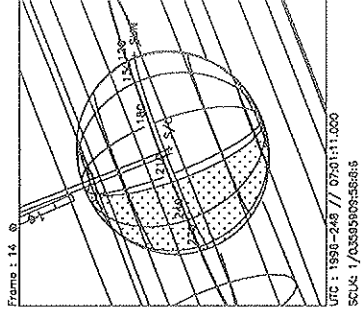
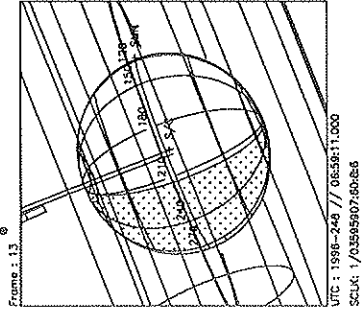
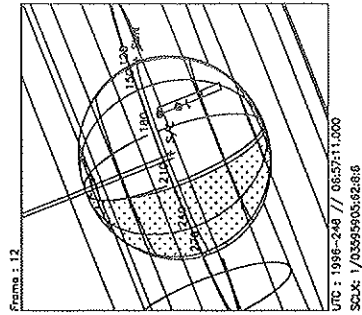
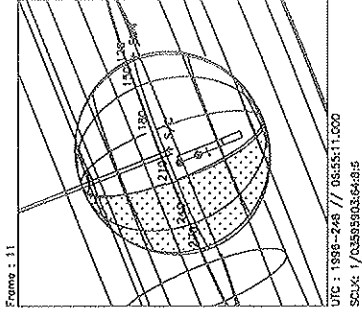
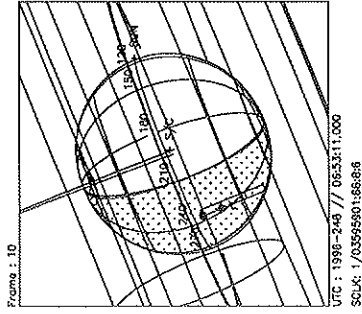
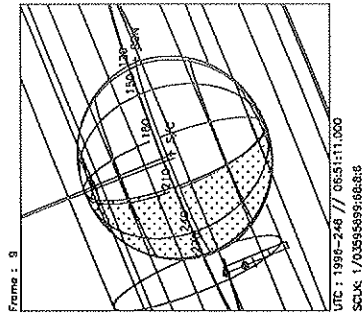
<b>Activity ID:</b>	Orbit G2	<b>OAPEL</b>	JUNNEWSMP	<b>SeqNo</b>	01-
<b>Title</b>	North-south-east-west map			<b>Instrument</b>	UVS
<b>Requestor</b>	W.KENTTOBISKA	<b>Team</b>	UVS	<b>Working Group</b>	AWG
<b>Time System</b>	CDS	<b>Load ID</b>		<b>Calendar Date</b>	09/04/96
				<b>Week</b>	36
<b>Start</b>	JEE-CDS 00004696:00:0		96-248/06:29:15.267		JEE-003/07:08:10.666
<b>End</b>	JEE-CDS 00004655:00:0		96-248/07:10:42.600		JEE-003/06:26:43.333
<b>Duration</b>	00000041:00:0		000/00:41:27.333		000/00:41:27.333
<b>Top Label</b>	G2JUNNEWSMP01-				
<b>Bottom Label</b>	recorded				
<b>Plot Key</b>	UVS	<b>Type</b>	SCI		
<b>CDS Bytes</b>	230	<b>Report Options</b>	BOTH	<b>Scan Platform</b>	Yes
<b>CDS Source</b>	OAP	<b>Spin State</b>	DUAL	<b>DMS</b>	Yes
<b>Observation Objective</b>					
<p>North-south-east-west map for study of dayglow/electroglow. Can determine limb-darkening curves of H Lyman-a and can determine global H2 band emission distribution.</p> <p>Recorded observation; F/G full scan. Distance from Jupiter = 37 Rj.</p> <p>Last cn/ck = 114.39/90.26 (from BRTMAP).</p> <p>[NOTE: SELECT 37 RIMS IN PBK WITH AN ASSUMED COMPRESSION RATIO OF 2:1. THIS GIVES 1.13 MBTG + 0.08 MBTG AACS = 1.21 MBTG TOTAL.]</p>					
<b>Design Detail</b>					
PSID	CDS RIM	COMMAND	PARAMETERS		
384AF	00	00	COMMT UVS RIM 0		
305AA	00	04	SELECT INSTR=UVS2, COMPR=RICE, CMPR_DVSR=2.0, CMPR_UNC=0.0; 4692:06:0		
175AA	18	04	SCIREC MODE_RATE = R7, DUR = 37:00:0, PREV_RATE = R28		
157AH	66	03	CMDRS PLAN_DUR = 38 RIMS; EST_UVS_CMDS = 2		
		04	1 34UVS/UVF:07,SCAN,NORM,NORM,NORM,SAME,0,ON,OFF,ON,ON,OFF,NOOVR,1,00,9C,01,2C		
		41	38 34UVS/OFF:C1,FIXED,NORM,NORM,NORM,SAME,0,OFF,OFF,ON,OFF,OFF,NOOVR,1,2C,05,00,00		
165AM	36	04	TARGET subsc pt; cn_off=32.0;xcn_off=12.0 (start @ 30lat off dark limb)		
117AB	37	04	CSMOS PLAN_DUR = 26 (3 E-W slews)		
165AC	36	31	TARGET subsc pt; cn_off=-7.0;xcn_off=45.0 (start above N pole)		
117AD	37	31	CSMOS PLAN_DUR = 9:80:0 (N-S slew); cn_del_s=4.0;xcn_del_s=-90.0		
300AA	00	41	DESELC INSTR=UVS2; 4655:06:0		

056



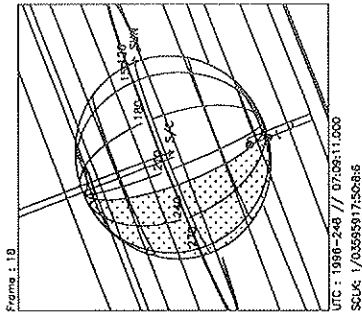
Start UTC\_TIME : 1996-248 // 06:33:11.000  
 End UTC\_TIME : 1996-248 // 07:10:36.000  
 Start SCLK : 1/03595881:86:8  
 Delta Time between FOV : 120.0000  
 FOVs : F Channel(0.1x0.4), N/G Channel(0.1x1.0)

Target Body : JUPITER  
 Target Cone/Clock : 114.32 / 91.09 Deg  
 S/C to Body Center : 2688967. Km ( 37.612132 Rj )  
 Z-axis Pointing ( Ro / Dec ) : 98.60 / 25.00 Deg



Start UTC\_TIME : 1996-248 // 06:33:11.000  
 End UTC\_TIME : 1996-248 // 07:10:36.000  
 Start SCLK : 1/03595881:86:8:6  
 Delta Time between FOV : 120.0000  
 FOVs : F Channel(0.1x0.4), N/G Channel(0.1x1.0)

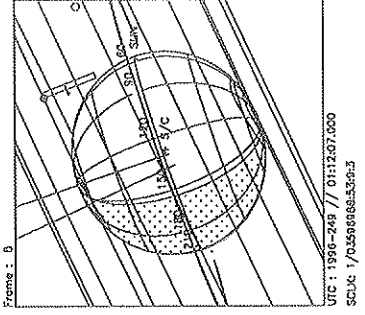
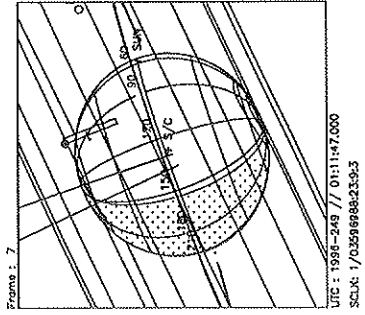
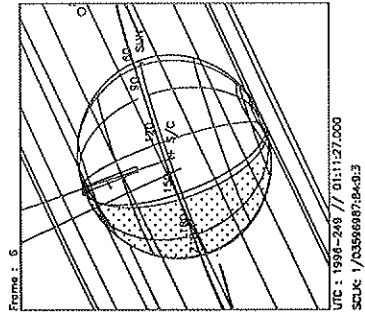
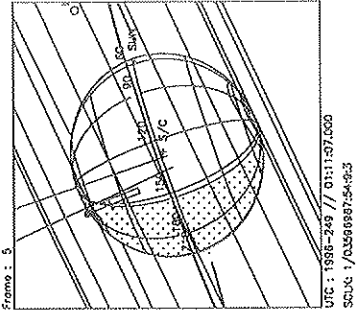
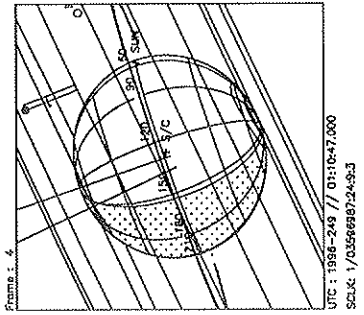
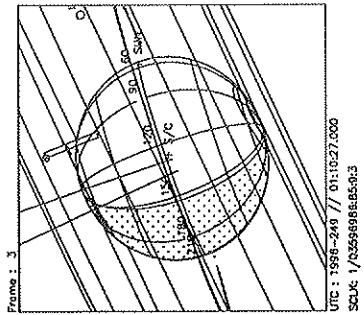
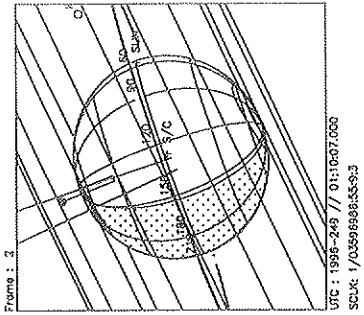
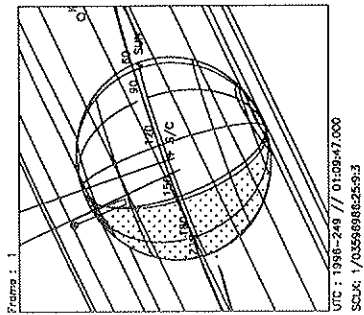
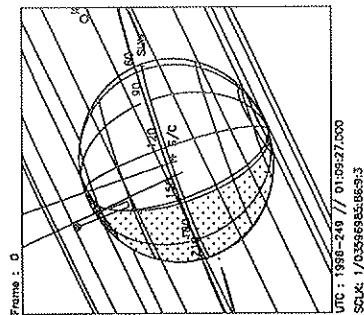
Target Body : JUPITER  
 Target Cone/Clock : 114.44 / 91.09 Deg  
 S/C to Body Center : 2681830, Km ( 37.512311 Rj )  
 Z-axis Pointing ( Ro / Dec ) : 98.60 / 25.00 Deg



Start UTC\_TIME : 1996-248 // 06:33:11.000  
 End UTC\_TIME : 1996-248 // 07:10:36.000  
 Start SCLK : 1/03595881:66:8:6  
 Delta Time between FOV : 120.0000  
 FOVs : F Channel(0.1x0.4), N/G Channel(0.1x1.0)

Target Body : JUPITER  
 Target Cone/Clock : 114.55 / 91.08 Deg  
 S/C to Body Center : 2674684. Km ( 37.412357 Rj )  
 Z-axis Pointing ( Ra / Dec ) : 98.60 / 25.00 Deg

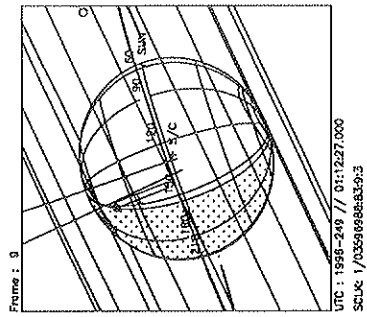
<b>Activity ID:</b> Orbit G2	<b>OAPEL JUGLOMOS</b>		<b>SeqNo</b> 01+
<b>Title</b>	Global mosaic ridealong	<b>Instrument</b>	UVS
<b>Requestor</b>	W. KENT TOBISKA	<b>Team</b> UVS	<b>Working Group</b> AWG
<b>Time System</b> CDS	<b>Load ID</b>	<b>Calendar Date</b> 09/05/96	<b>Week</b> 36
<b>Start</b>	JEE-CDS 00003592:00:0	96-249/01:05:31.267	JEE-002/12:31:54.666
<b>End</b>	JEE-CDS 00003577:00:0	96-249/01:20:41.267	JEE-002/12:16:44.666
<b>Duration</b>	00000015:00:0	000/00:15:10.000	000/00:15:10.000
<b>Top Label</b>	G2JUGLOMOS01+		
<b>Bottom Label</b>	Recorded		
<b>Plot Key</b>	UVS	<b>Type</b>	SCI
<b>CDS Bytes</b>	38	<b>Report Options</b>	BOTH
<b>CDS Source</b>	OAP	<b>Spin State</b>	DUAL
		<b>Scan Platform</b>	No
		<b>DMS</b>	No
<b>Observation Objective</b>			
<p>Ridealong with NIMS (G2JUGLOMOS01-) on global mosaic for brightside FUV H Lyman-alpha mapping in conjunction with thermal emission mapping at 28-30 Rj. UVS turned off for last couple footprints of the observation but is off of planet. This is because UVS commands on RIM boundaries but the recording is blockshifted off the RIM boundaries.</p> <p>Recorded observation. G/G Ly-a 88 step 2 posn miniscan. Distance from Jupiter = 31 Rj.</p> <p>[NOTE: SELECT 9.5 RIMS OF DATA ASSUMING A COMPRESSION OF 2:1 = 0.298 MBTG.]</p>			
<b>Design Detail</b>			
PSID	CDS	RIM	COMMAND PARAMETERS
384AG	00	00	COMMMT UVS RIM 0
157AU	38	03	CMDRS PLAN_DUR = 11 RIMS; EST_UVS_CMDS = 2
		04	1 34UVS/UVG:DF, FIXED, NORM, NORM, NORM, SAME, 0, OFF, OFF, ON, ON, OFF, NOOVR, 1, 2C, 7D, 00, 2C
		14	11 34UVS/OFF:C1, FIXED, NORM, NORM, NORM, SAME, 0, OFF, OFF, ON, OFF, OFF, NOOVR, 1, 2C, 05, 00, 00
165DB	00	03	TARGET
175DB	00	03	+SCIREC
117DB	00	03	+CSMOS
305AD	00	04	+SELECT INSTR=UVS2, COMPR=RICE, CMPR_DVSR=2.0, CMPR_UNC=0.0; 3588:51:0
300AD	00	14	DESELC INSTR=UVS2; 3577:06:0



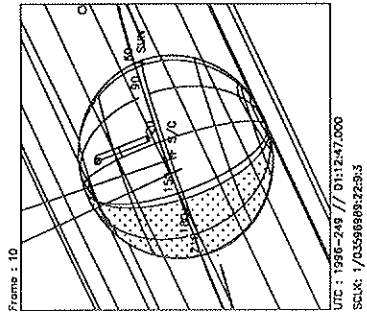
Start UTC\_TIME : 1996-249 // 01:09:27.000  
 End UTC\_TIME : 1996-249 // 01:19:34.000  
 Start SCLK : 1/03596985:86:9:3  
 Delta Time between FOV : 20.00000  
 FOVs : N/G Channel(0.1x1.0)

Target Body : JUPITER  
 Target Ra/Dec : 218.73/-13.99 Deg  
 S/C to Body Center : 2227524, Km ( 31.157674 R<sub>J</sub> )  
 Z-axis Pointing ( Ra / Dec ) : 98.60 / 25.00 Deg

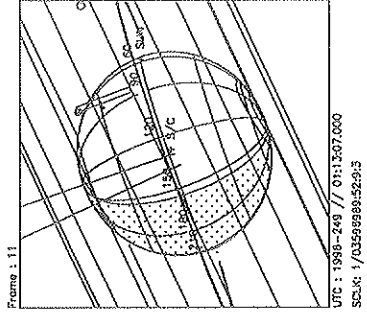




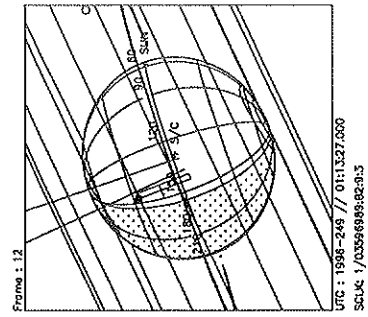
UTC : 1996-249 // 01:12:27.000  
 SCLK : 1/03596985869:3



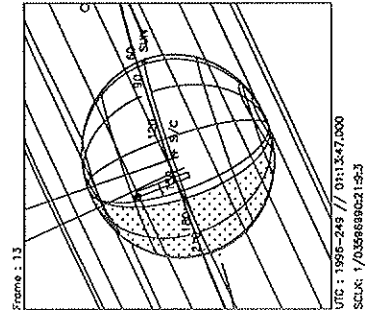
UTC : 1996-249 // 01:12:47.000  
 SCLK : 1/03596989329:3



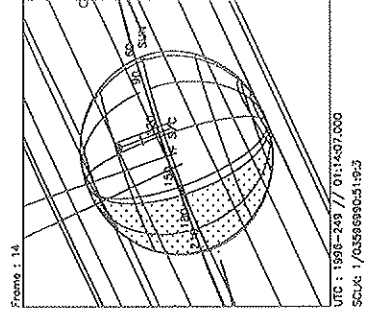
UTC : 1996-249 // 01:13:07.000  
 SCLK : 1/03596989529:3



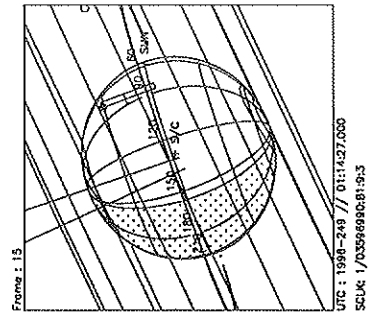
UTC : 1996-249 // 01:13:27.000  
 SCLK : 1/03596989869:3



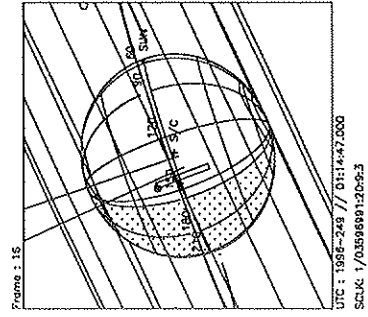
UTC : 1996-249 // 01:13:47.000  
 SCLK : 1/03596990215:3



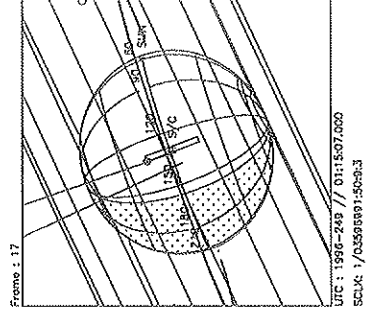
UTC : 1996-249 // 01:14:07.000  
 SCLK : 1/03596990519:3



UTC : 1996-249 // 01:14:27.000  
 SCLK : 1/03596990819:3



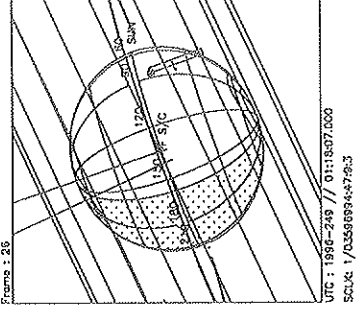
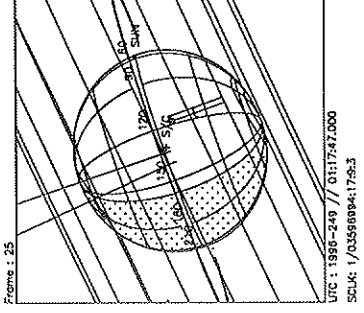
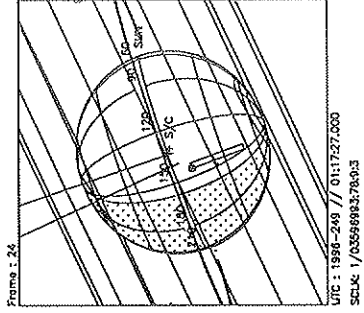
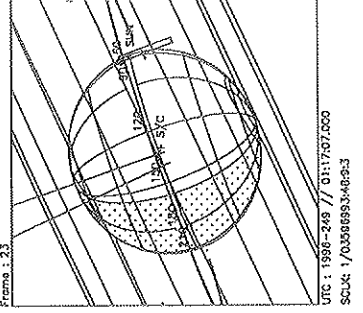
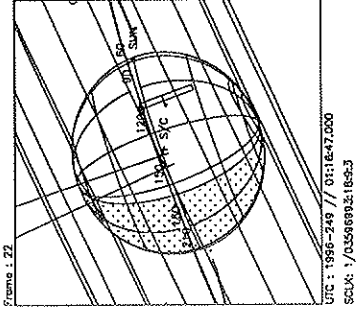
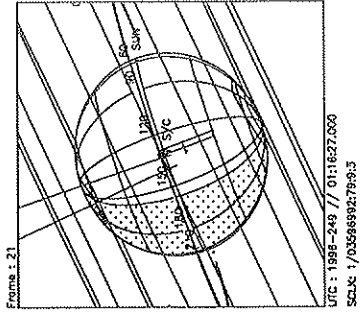
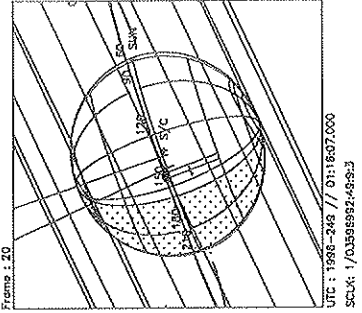
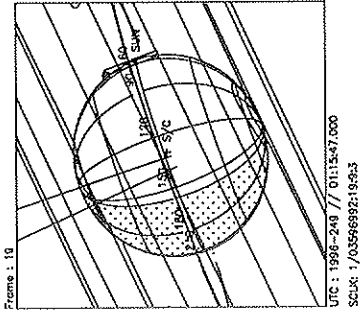
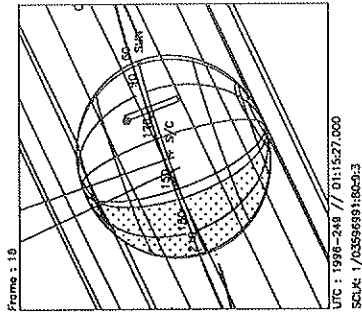
UTC : 1996-249 // 01:14:47.000  
 SCLK : 1/03596991209:3



UTC : 1996-249 // 01:15:07.000  
 SCLK : 1/03596991509:3

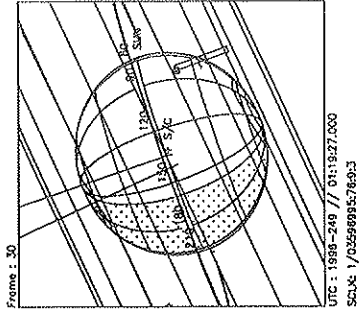
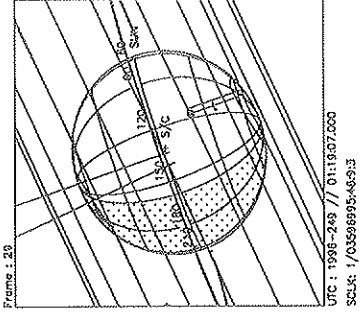
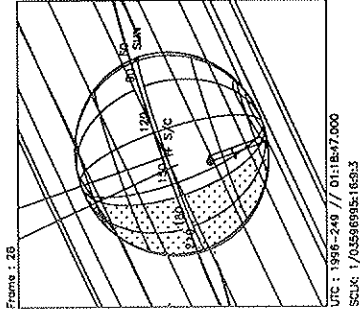
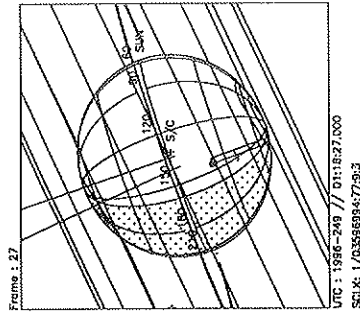
Start UTC\_TIME : 1996-249 // 01:09:27.000  
 End UTC\_TIME : 1996-249 // 01:19:34.000  
 Start SCLK : 1/03596985869:3  
 Delta Time between FOV : 20.00000  
 FOVs : N/G Channels(0.1x1.0)

Target Body : JUPITER  
 Target Ra/Dec : 218.76/-14.00 Deg  
 S/C to Body Center : 226231. Km ( 31.139576 Rj )  
 Z-axis Pointing ( Ra / Dec ) : 98.60 / 25.00 Deg



Start UTC\_TIME : 1996-249 // 01:09:27.000  
 End UTC\_TIME : 1996-249 // 01:19:34.000  
 Start SCLK : 1/03596985:86:9:3  
 Delta Time between FOV : 20.00000  
 FOVs : N/G Channel(0.1x1.0)

Target Body : JUPITER  
 Target Ra/Dec : 218.79/-14.01 Deg  
 S/C to Body Center : 2224936. Km ( 31.121474 Rj )  
 Z-axis Pointing ( Ro / Dec ) : 98.60 / 25.00 Deg



Start UTC\_TIME : 1996-249 // 01:09:27.000  
 End UTC\_TIME : 1996-249 // 01:19:34.000  
 Start SCLK : 1/03596985:86:9:3  
 Delta Time between FOV : 20.00000  
 FOVs : N/G Channel(0.1x1.0)

Target Body : JUPITER  
 Target Ra/Dec : 218.81 / -14.02 Deg  
 S/C to Body Center : 2223642. Km ( 31.103368 Rj )  
 Z-axis Pointing ( Ra / Dec ) : 98.60 / 25.00 Deg

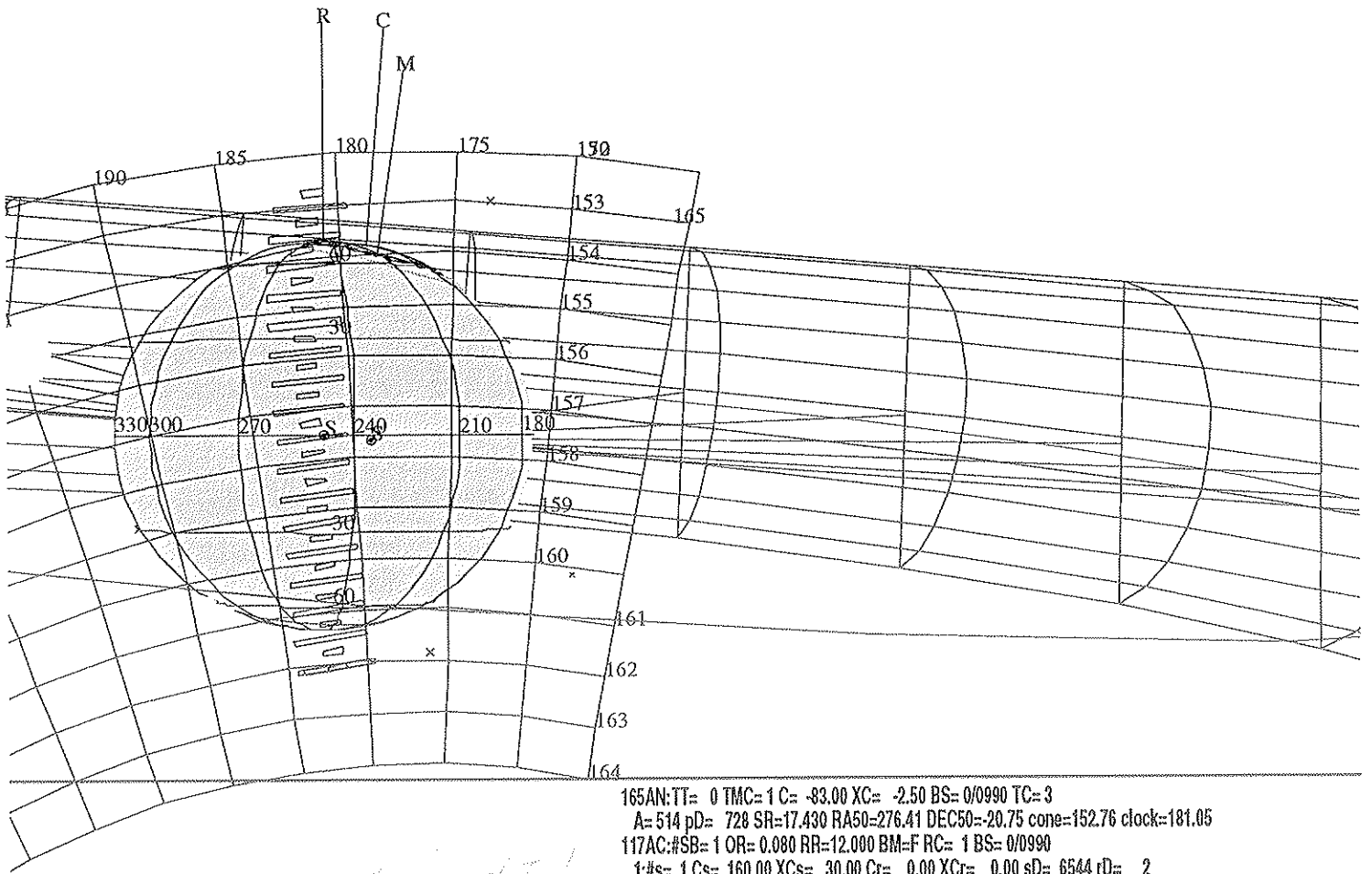
Acetylene map buffer dump

ACTIVITY ID: G2JUBFRDMP01-

START TIME: 96-250/19:53:44.667

<b>Activity ID:</b> Orbit G2	<b>OAPEL</b> JUBFRDMP	<b>SeqNo</b> 01-
<b>Title</b> Acetylene map buffer dump	<b>Instrument</b> UVS	
<b>Requestor</b> W. KENT TOBISKA	<b>Team</b> UVS	<b>Working Group</b> AWG
<b>Time System</b> CDS	<b>Load ID</b>	<b>Calendar Date</b> 09/06/96 <b>Week</b> 36
<b>Start</b> GSE-CDS 00000077:00:0	96-250/19:53:44.667	GSE-000/01:17:51.333
<b>End</b> GSE-CDS 00000074:00:0	96-250/19:56:46.667	GSE-000/01:14:49.333
<b>Duration</b> 00000003:00:0	000/00:03:02.000	000/00:03:02.000
<b>Top Label</b> G2JUBFRDMP01-		
<b>Bottom Label</b> buffer dump		
<b>Plot Key</b> UVS	<b>Type</b> SCI	
<b>CDS Bytes</b> 28	<b>Report Options</b> BOTH	<b>Scan Platform</b> No
<b>CDS Source</b> OAP	<b>Spin State</b> DUAL	<b>DMS</b> Yes
<b>Observation Objective</b>		
Buffer dump to tape for benefit of FPSG.		
<b>Design Detail</b>		
PSID 384AN 411AA	CDS RIM COMMAND PARAMETERS 00 00 COMMENT UVS RIM 0 28 00 BFRDUMP PAUSE_PB=FALSE, SLEW_DMS=FALSE, RESUME_PB=FALSE, PREV_RATE=R28	

<b>Activity ID:</b> Orbit G2	<b>OAPEL JUACELAT</b>	<b>SeqNo</b> 01-
<b>Title</b> Acetylene/ammonia map	<b>Instrument</b> UVS	
<b>Requestor</b> W. KENT TOBISKA	<b>Team</b> UVS	<b>Working Group</b> AWG
<b>Time System</b> CDS	<b>Load ID</b>	<b>Calendar Date</b> 09/06/96 <b>Week</b> 36
<b>Start</b> GSE+CDS 00000023:00:0	96-250/21:34:51.333	GSE+000/00:23:15.333
<b>End</b> GSE+CDS 00000063:00:0	96-250/22:15:18.000	GSE+000/01:03:42.000
<b>Duration</b> 00000040:00:0	000/00:40:26.667	000/00:40:26.667
<b>Top Label</b> G2JUACELAT01-		
<b>Bottom Label</b> recorded		
<b>Plot Key</b> UVS	<b>Type</b> SCI	
<b>CDS Bytes</b> 165	<b>Report Options</b> BOTH	<b>Scan Platform</b> Yes
<b>CDS Source</b> OAP	<b>Spin State</b> DUAL	<b>DMS</b> Yes
<b>Observation Objective</b>		
	Acetylene and ammonia map along central meridian for latitudinal gradient.	
	Recorded observation; F/G full scan on brightside. SITURN required for -Z axis RA/Dec = 95.975/47.995. Distance to Jupiter = 14.2 to 14.1 Rj.	
	Last cn/ck = 153/300.	
	[NOTE: RECORD 1 RIM AT START TO ACCOMMODATE 12 TICS OF NON-GUARANTEED DATA AT THE START OF TRACK 3; SELECT 32 RIMS FOR PBK AT 1:1 COMPRESSION = 1.96 MBTG + 0.07 MTEG AACS = 2.03 MBTG TOTAL.]	
<b>Design Detail</b>		
PSID	CDS RIM COMMAND PARAMETERS	
384AM	00 00 COMMNT UVS RIM 0	
175AB	18 03 SCIREC MODE_RATE = R7, DUR = 37:00:0	
157AI	38 03 CMDRS PLAN_DUR = 37 RIMS; EST_UVS_CMDS = 2	
	04 1 34UVS/UVF:07, SCAN, NORM, NORM, NORM, SAME, 0, ON, OFF, ON, ON, OFF, NOOVR, 1, 00, 9C, 01, 2C	
	40 37 34UVS/OFF:C1, FIXED, NORM, NORM, NORM, SAME, 0, OFF, OFF, ON, OFF, OFF, NOOVR, 1, 2C, 05, 00, 00	
165AN	72 04 TARGET s/c subpt w/ cn/ck offset -83.0/-2.5 mrad (TMC ACTIVE)	
	(RA/Dec = TBD above north pole off planet)	
117AC	37 04 CSMOS PLAN_DUR = 36 RIMS (slew off S pole); cn_del_s=160.0; xcn_del_s=30.0	
305AC	00 04 SELECT INSTR = UVS2, COMPR = RICE, CMPR_DVSR = 1.0, CMPR_UNC = 0.0	
300AC	00 36 DESELC INSTR = UVS2	



165AN:TT= 0 TMC= 1 C= -83.00 XC= -2.50 BS= 0/0990 TC= 3  
 A= 514 pD= 728 SR=17.430 RA50=276.41 DEC50=-20.75 cone=152.76 clock=181.05  
 117AC:#SB= 1 OR= 0.080 RR=12.000 BM=F RC= 1 BS= 0/0990  
 1:#s= 1 Cs= 160.00 XCs= 30.00 Cr= 0.00 XCr= 0.00 sD= 6544 rD= 2

ESIGN G1.0 kent : 7/12/1996 10:52:23

ILE:P.G2JUACELAT01

ENTRAL BODY:JUPITER III

INI:m.G2JUACELAT01

PH:/DATA/NAVIO/T-960628-TOUR.NS

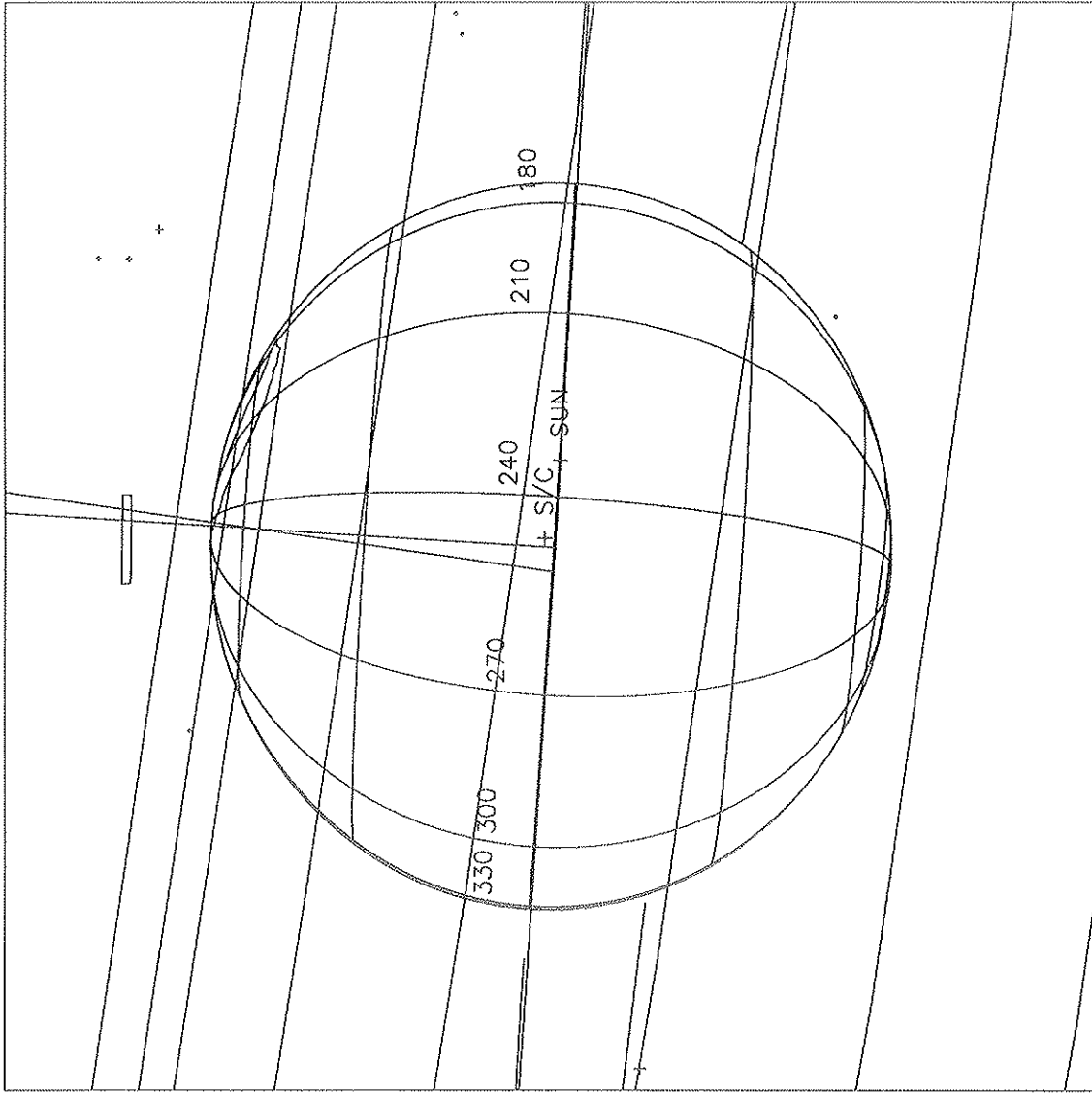
EHIAPSIS:

THINNING:NONE :UVS 1

TART:GSE 96-250/21:11:36.000 +CDS 27:00:0

BODY PLOT TIME:TARGET-TIME D= 728 S= 0.600

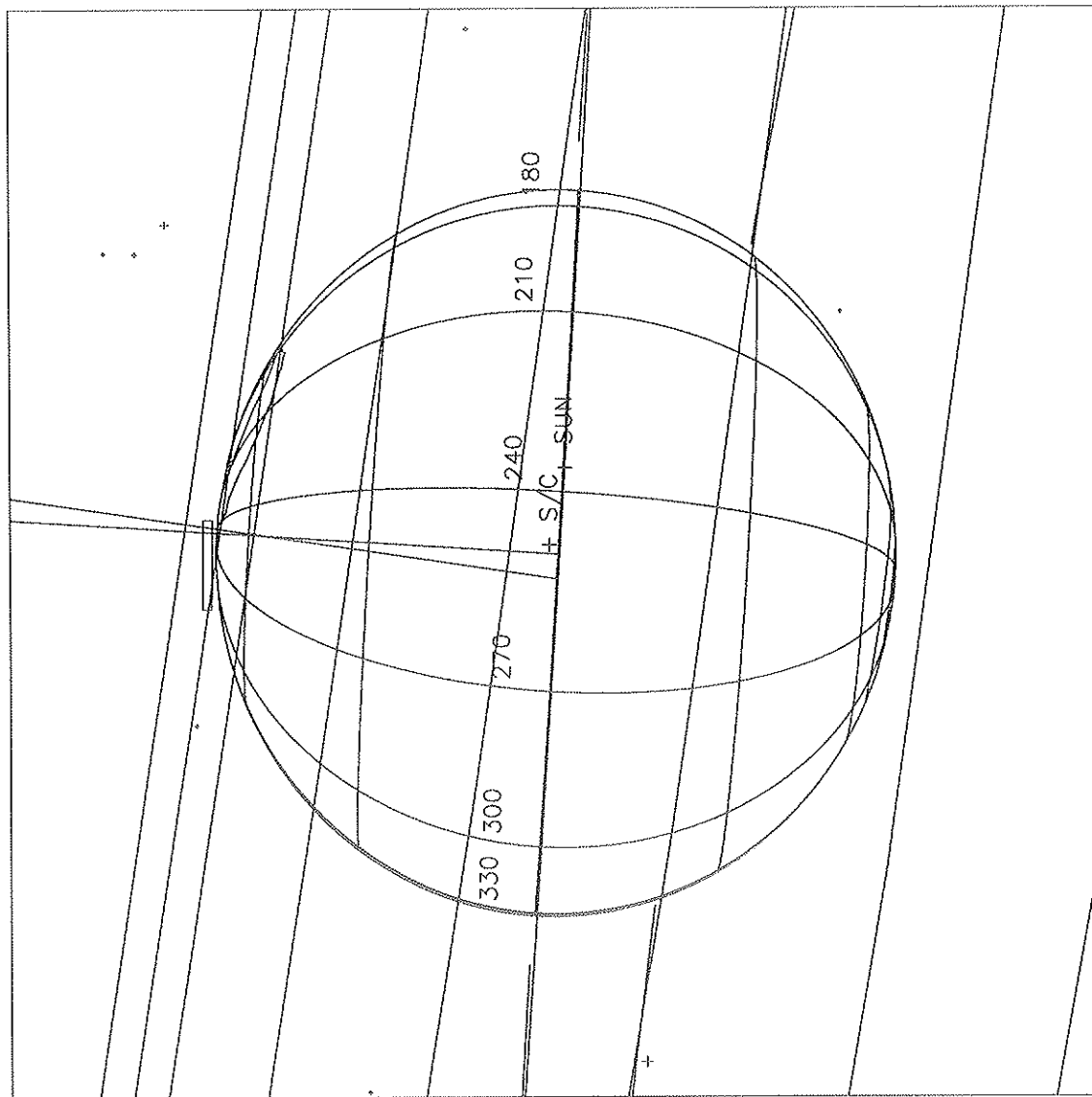
Sun Jul 14 22:46:25 1996



Start UTC\_TIME : 1996-250 // 21:38:47.000  
No End Time :  
Start SCLK : 1/03599625:87:0:7

Target Body : JUPITER  
Target Ra/Dec : 276.51 / -25.51 Deg  
S/C to Body Center : 1003545. Km ( 14.037171 Rj )  
Z-axis Pointing ( Ra / Dec ) : 95.97 / 47.99 Deg

Sun Jul 14 22:50:26 1996



Start UTC\_TIME : 1996-250 // 21:41:52.000

No End Time :

Start SCLK : 1/03598629:00:5:7

Target Body : JUPITER

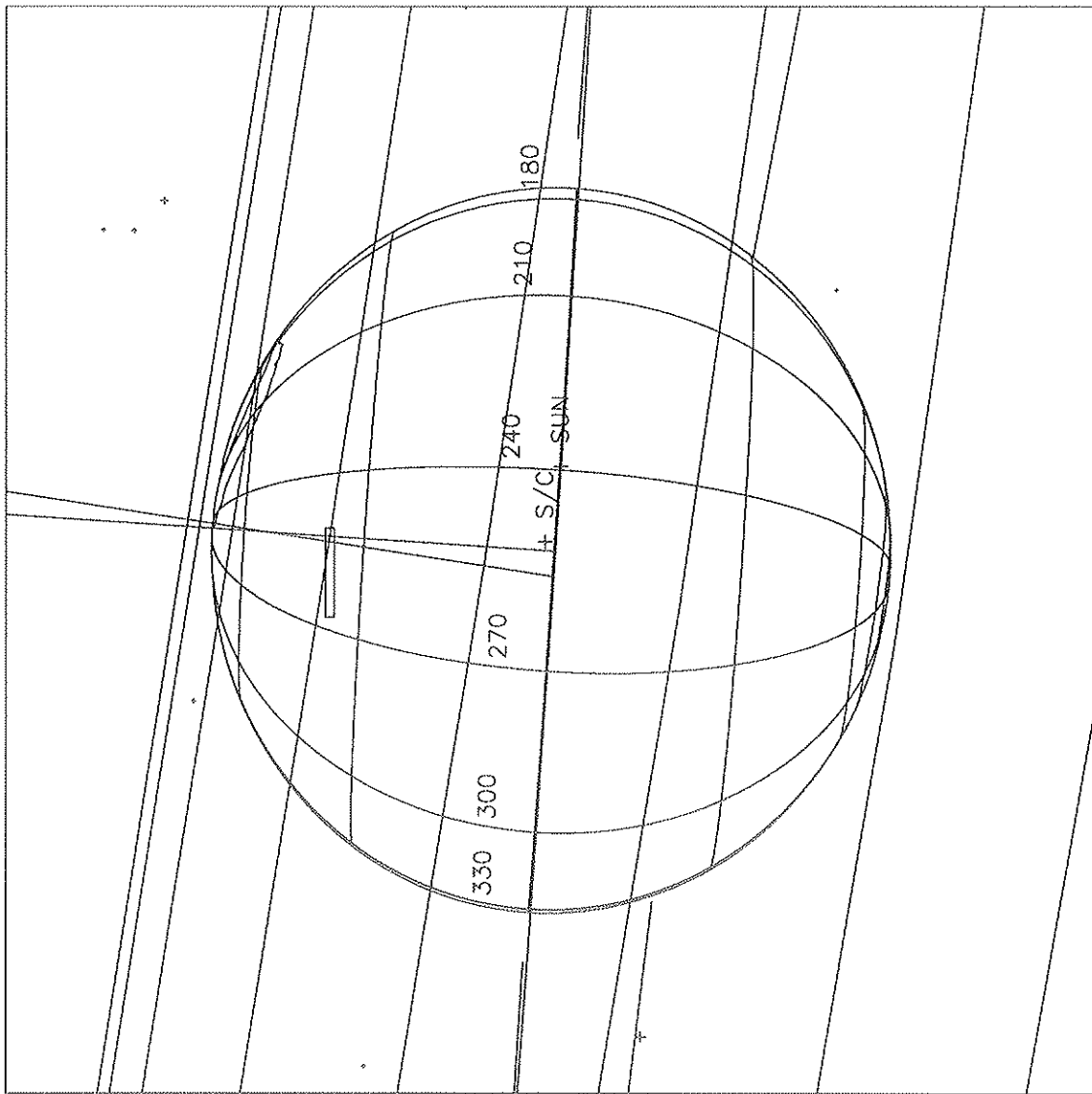
Target Ra/Dec : 276.66 / -25.50 Deg

S/C to Body Center : 1002253. Km ( 14.019099 Rj )

Z-axis Pointing ( Ra / Dec ) : 95.97 / 47.99 Deg



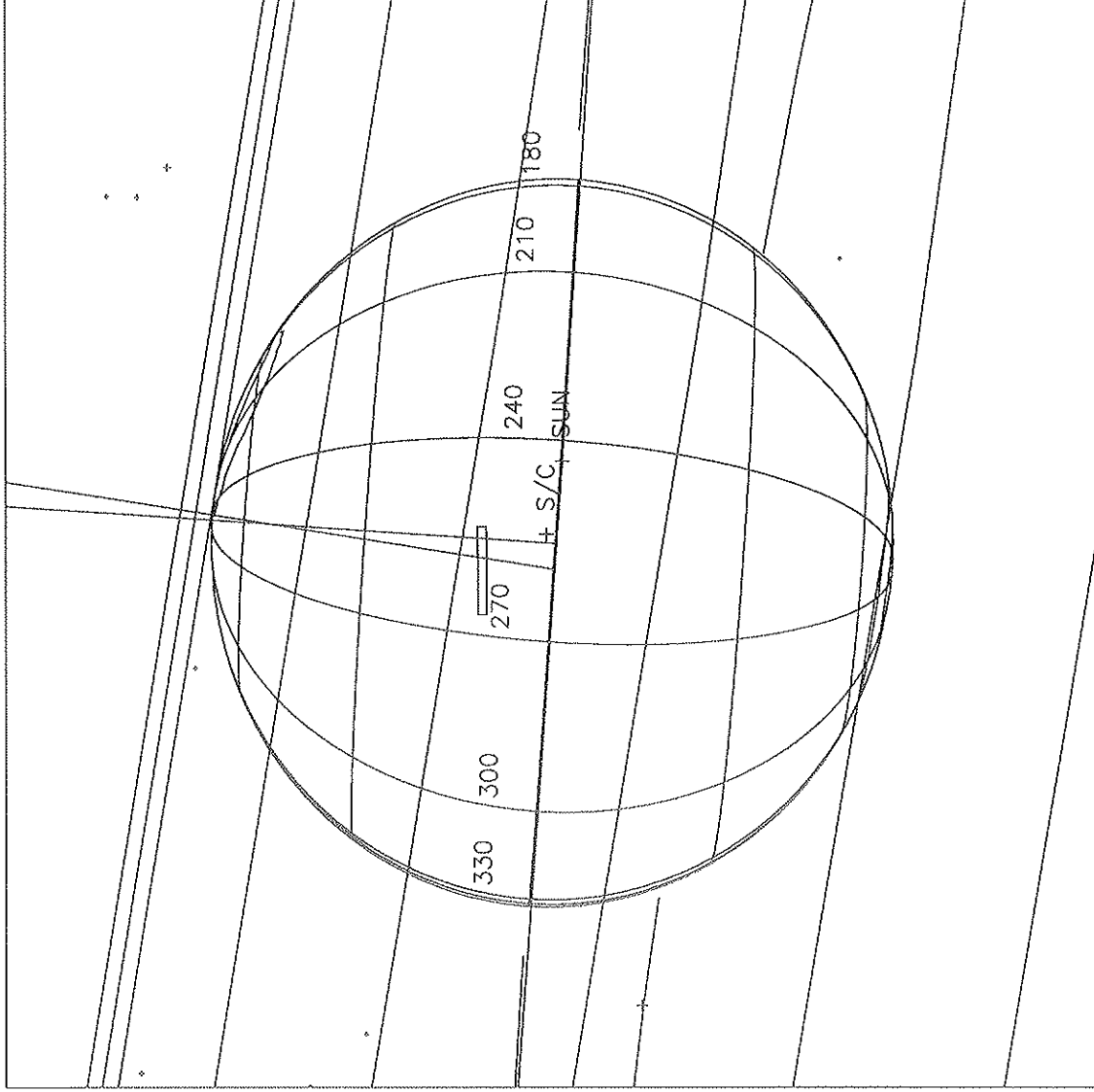
Sun Jul 14 22:49:23 1996



Start UTC\_TIME : 1996-250 // 21:46:55.000  
No End Time :  
Start SCLK : 1/03599634:00:0:7

Target Body : JUPITER  
Target Ra/Dec : 276.92 / -25.49 Deg  
S/C to Body Center : 1000141. Km ( 13.989554 Rj )  
Z-axis Pointing ( Ra / Dec ) : 95.97 / 47.99 Deg

Sun Jul 14 22:51:40 1996



Start UTC\_TIME : 1996-250 // 21:52:59.000

No End Time :

Start SCLK : 1/03599640:00:0:7

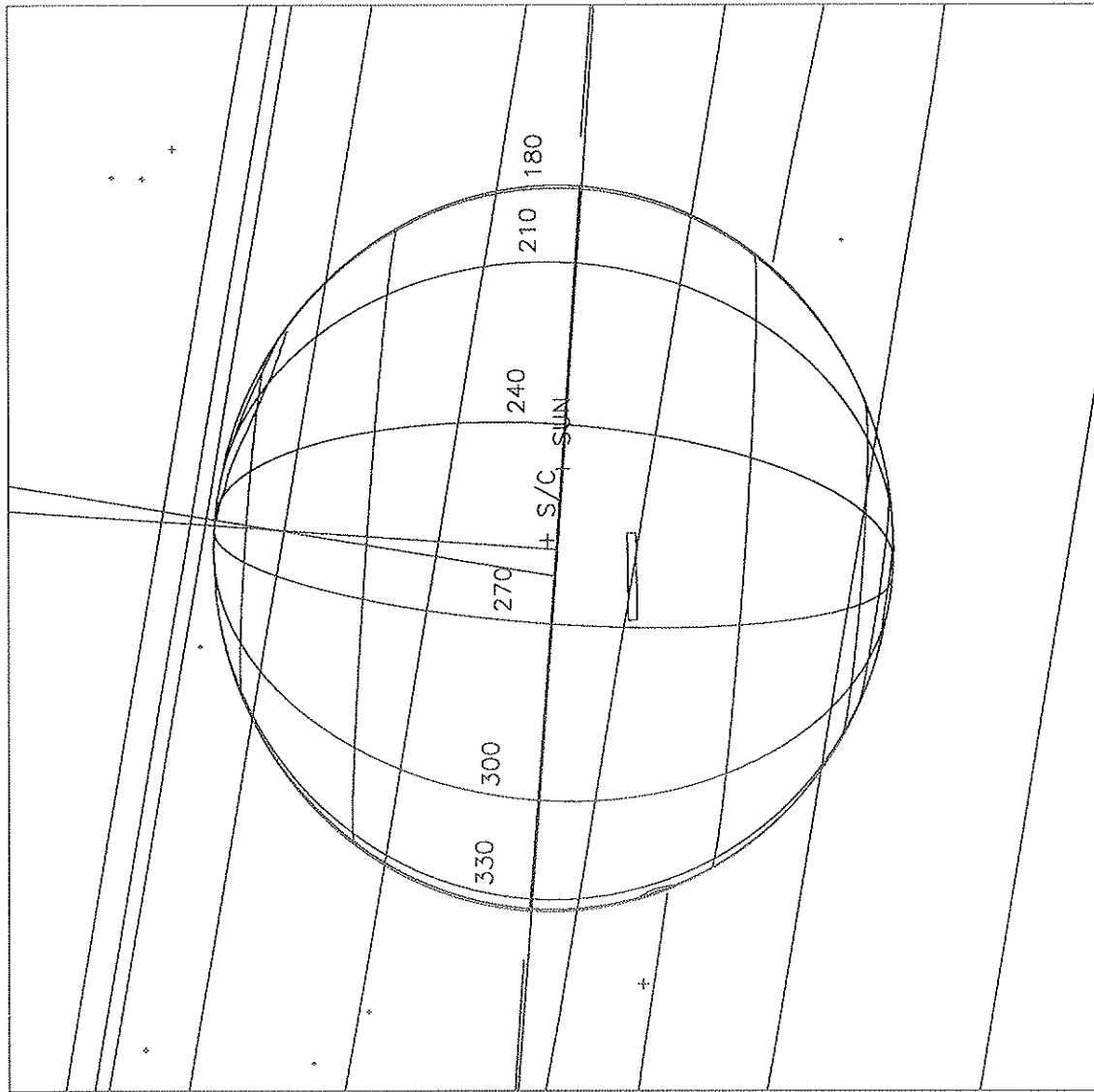
Target Body : JUPITER

Target Ra/Dec : 277.22 / -25.47 Deg

S/C to Body Center : 997609.9 Km ( 13.954147 Rj )

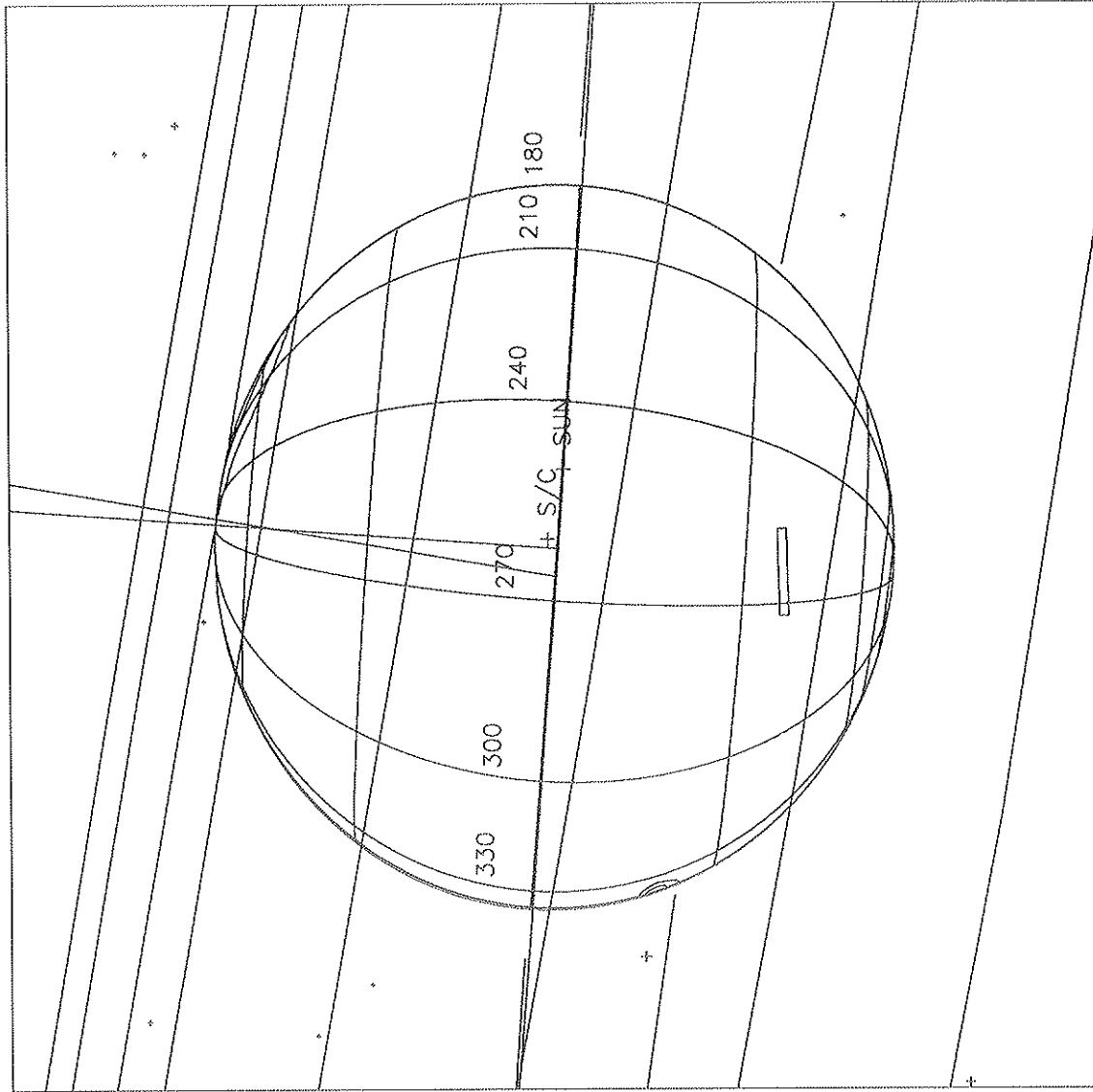
Z-axis Pointing ( Ra / Dec ) : 95.97 / 47.99 Deg

Sun Jul 14 22:52:31 1996



Start UTC\_TIME : 1996-250 // 21:59:03.000  
No End Time :  
Start SCLK : 1/03599646:00:0:7  
Target Body : JUPITER  
Target Ra/Dec : 277.53 / -25.45 Deg  
S/C to Body Center : 995085.5 Km ( 13.918838 Rj )  
Z-axis Pointing ( Ra / Dec ) : 95.97 / 47.99 Deg

Sun Jul 14 22:54:35 1996



Start UTC\_TIME : 1996-250 // 22:05:07.000

No End Time :

Start SCLK : 1/03599652:00:0:7

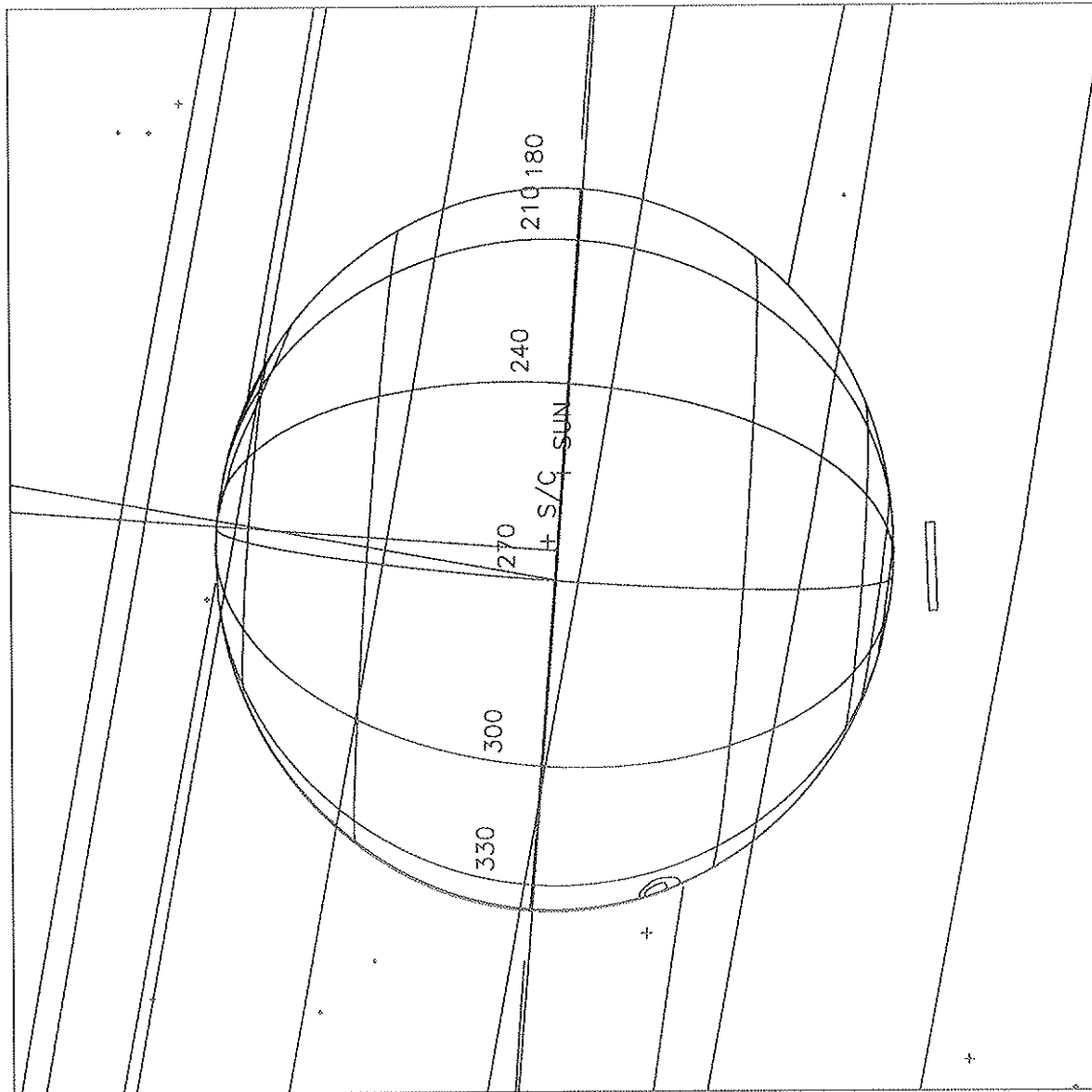
Target Body : JUPITER

Target Ra/Dec : 277.84 / -25.44 Deg

S/C to Body Center : 992568.1 Km ( 13.883625 Rj )

Z-axis Pointing ( Ra / Dec ) : 95.97 / 47.99 Deg

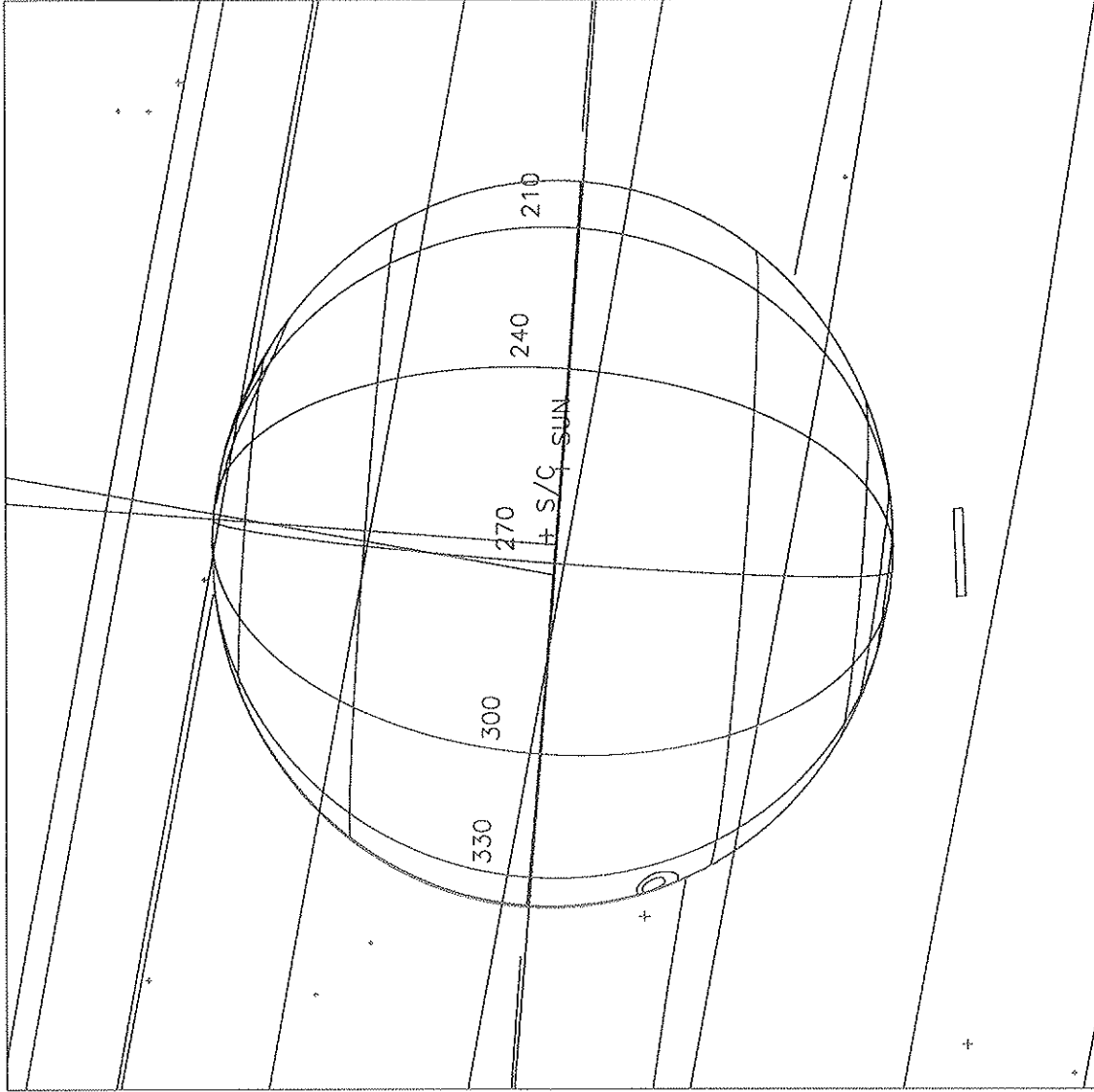
Sun Jul 14 22:55:31 1996



Start UTC\_TIME : 1996-250 // 22:11:11.000  
No End Time :  
Start SCLK : 1/03559658:00:0:7

Target Body : JUPITER  
Target Ra/Dec : 278.15 / -25.42 Deg  
S/C to Body Center : 990057.8 Km ( 13.848511 Rj )  
Z-axis Pointing ( Ra / Dec ) : 95.97 / 47.99 Deg

Sun Jul 14 22:56:32 1996



Start UTC\_TIME : 1996-250 // 22:14:13.000  
No End Time :  
Start SCLK : 1/03599661:00:0:7  
Target Body : JUPITER  
Target Ra/Dec : 278.31 / -25.41 Deg  
S/C to Body Center : 988805.3 Km ( 13.850992 Rj )  
Z-axis Pointing ( Ra / Dec ) : 95.97 / 47.99 Deg

Acetylene map buffer dump

ACTIVITY ID: G2JUBFRDMP03-

START TIME: 96-250/22:40:34.666

<b>Activity ID:</b> Orbit G2	<b>OAPEL</b> JUBFRDMP	<b>SeqNo</b> 03-
<b>Title</b> Acetylene map buffer dump		<b>Instrument</b> UVS
<b>Requestor</b> W. KENTTOBISKA	<b>Team</b> UVS	<b>Working Group</b> AWG
<b>Time System</b> CDS	<b>Load ID</b> G2A	<b>Calendar Date</b> 09/06/96 <b>Week</b> 36
<b>Start</b> GSE+CDS 00000088:00:0	96-250/22:40:34.666	GSE+000/01:28:58.666
<b>End</b> GSE+CDS 00000091:00:0	96-250/22:43:36.666	GSE+000/01:32:00.666
<b>Duration</b> 00000003:00:0	000/00:03:02.000	000/00:03:02.000
<b>Top Label</b> G2JUBFRDMP03-		
<b>Bottom Label</b> buffer dump		
<b>Plot Key</b> UVS	<b>Type</b> SCI	
<b>CDS Bytes</b> 28	<b>Report Options</b> BOTH	<b>Scan Platform</b> No
<b>CDS Source</b> OAP	<b>Spin State</b> DUAL	<b>DMS</b> Yes
<b>Observation Objective</b>		
Buffer dump to tape for benefit of FPSG.		
<b>Design Detail</b>		
PSID 384AP 411AC	CDS RIM COMMAND PARAMETERS 00 00 COMMNT UVS RIM 0 28 00 BFRDUMP PAUSE_PB=FALSE, SLEW_DMS=FALSE, RESUME_PB=FALSE	