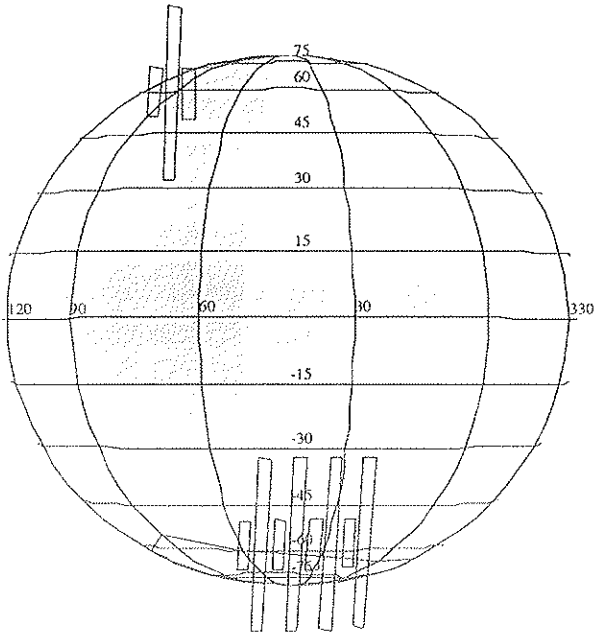


Activity ID: Orbit G7	OAPEL JUFIXTMD	SeqNo 01-
Title Fixed local time map		Instrument UVS
Requestor UVS-AWG/W. KENT TOBISKA	Team UVS	Working Group AWG
Time System CDS	Load ID G7A	Calendar Date 04/02/97 Week 14
Start JEE-CDS 2631:00:0	97-092/14:44:35.733	JEE-001/20:20:14.000
End JEE-CDS 00002507:00:0	97-092/16:49:58.400	JEE-001/18:14:51.333
Duration 00000124:00:0	000/02:05:22.667	000/02:05:22.667
Top Label G7JUFIXTMD01-		
Bottom Label realtime		
Plot Key UVS	Type SCI	
CDS Bytes 222	Report Options BOTH	Scan Platform Yes
CDS Source OAP	Spin State DUAL	DMS No
Observation Objective		
	Observe northern darkside (100 deg lon) and southern aurora (77 deg lon) at a fixed longitude. EUV rides along for full spectral coverage.	
	Realtime observation at 10 bps for 2.0 hours; F/G full scan. SSI takes scan platform for 8 RIMS at the last 10 RIM hole for Callisto observation. Expect RTSFMT = G. Distance from Jupiter = 25 Rj.	
	Last cn/ck = 153/300.	
	[NOTE: Agreement with PWS for full scans.]	
Design Detail		
<pre> PSID CDS RIM COMMAND PARAMETERS 384AA 00 00 COMMENT UVS RIM 0 349MX 00 -01+UVFLSH PACKET,BOTH (from the UVS MWG G7JUG7AURA02 observation) 157AA 38 03 CMDRS PLAN_DUR = 111 RIMS; EST_UVS_CMDS = 2 04 1 34UVS/UVF:07, SCAN, NORM, NORM, NORM, SAME, 0, ON, OFF, ON, ON, OFF, NOOVR, 1, 00, 9C, 01, 2C 114 111 34UVS/OFF:C1, FIXED, NORM, NORM, NORM, SAME, 0, OFF, OFF, ON, OFF, OFF, NOOVR, 1, 2C, 05, 00, 00 165AA 36 04 TARGET Lat/lon = 60/105 (RA/Dec = 222.87/-16.41) 349AB 28 32+UVFLSH PACKET,UVS (1) 165AB 36 34 TARGET cn/ck = 90.00/93.69) (RA/Dec = 221.32/-19.82) 349AC 28 62+UVFLSH PACKET,BOTH (2) 349AD 28 92+UVFLSH PACKET,UVS (3) 349AE 28 113+UVFLSH PACKET,BOTH (4) </pre>		

1) ghost
 2) no-ghost
 3) ghost
 4) no ghost



165AA:TT= 0 TMC= 1 C= 0.00 XC= 0.00 BS= 0/0659 TC= 1(60 105)
 A= 728 pD= 0 SR=17.450 RA50=222.81 DEC50=-16.39 cone= 90.43 clock= 97.38
 165AB:TT= 0 TMC= 1 C= 0.00 XC= 0.00 BS= 0/6019 TC= 2(90 93.69)
 A= 364 pD= 0 SR=17.450 RA50=221.32 DEC50=-19.82 cone= 90.00 clock= 93.69

ESIGN G3.0 kent : 2/26/1997 8:32:57

FILE:P.G7JUFIXTMD01

CENTRAL BODY:JUPITER III

INI:m.G7JUFIXTMD01

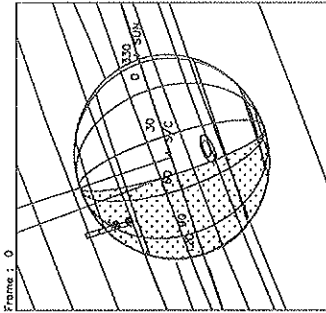
PH:/DATA/NAVIO/T-961231-TOUR.NS

ERIAPSIS:

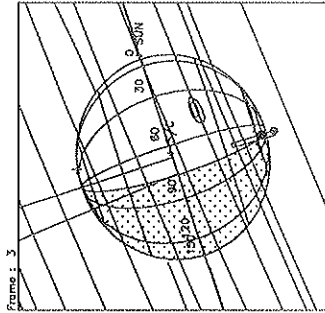
THINNING: :UVS 1

START:JEE 97-094/11:03:48.400 -CDS 2627:00:0

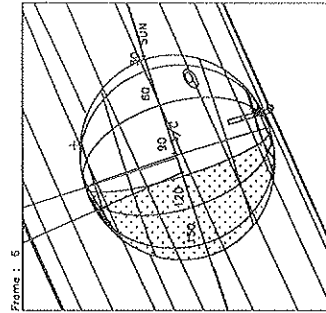
BODY PLOT TIME:TARGET-TIME D= 0 S= 0.750



UTC : 1997-092 // 14:47:33.063
 SCLK: 1/038954810000

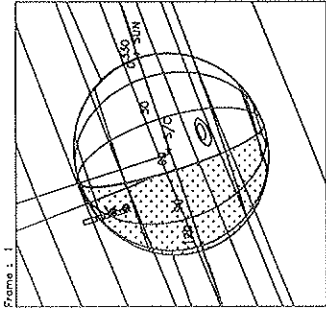


UTC : 1997-092 // 15:29:15.063
 SCLK: 1/038954893200

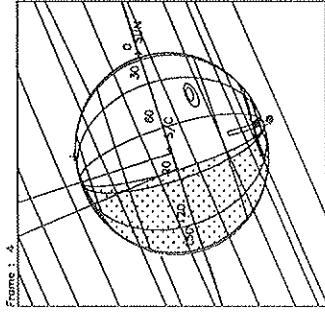


UTC : 1997-092 // 16:10:57.063
 SCLK: 1/038955301400

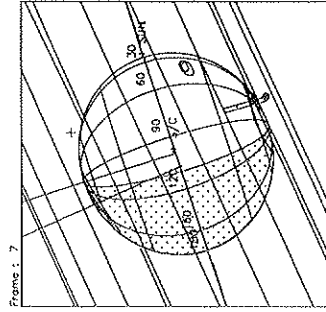
Start UTC_TIME : 1997-092 // 14:47:33.063
 End UTC_TIME : 1997-092 // 16:38:46.392
 Start SCLK : 1/038954480000
 Delta Time between FOV : 834.0000
 FOVs : F Channel(0.1x0.4), R/G Channel(0.5x0.5)



UTC : 1997-092 // 15:01:27.063
 SCLK: 1/0389546156000

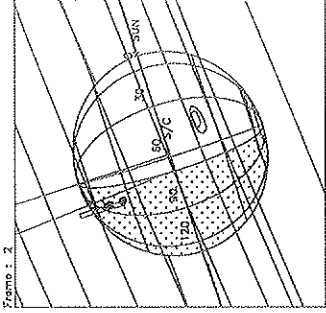


UTC : 1997-092 // 15:43:09.063
 SCLK: 1/0389550290000

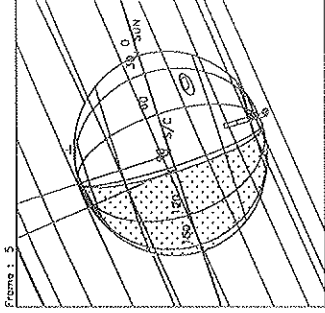


UTC : 1997-092 // 16:24:51.063
 SCLK: 1/0389554421000

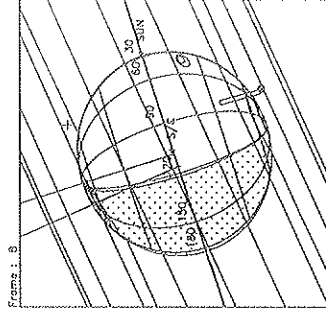
Target Body : JUPITER
 Target Cone/Clock : 89.34 / 95.57 Deg
 S/C to Body Center : 1779601. Km (24.892312 Rj)
 Z-axis Pointing (Ro / Dec) : 136.89 / 15.09 Deg



UTC : 1997-092 // 15:15:21.063
 SCLK: 1/0389547545000

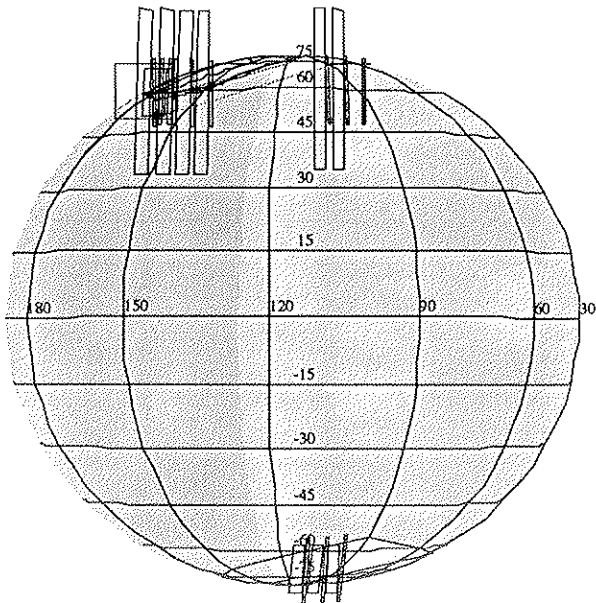


UTC : 1997-092 // 15:57:03.063
 SCLK: 1/0389551807000



UTC : 1997-092 // 16:38:46.063
 SCLK: 1/0389555789000

Activity ID:	Orbit G7	OAPEL JUAURMAP	SeqNo	01-
Title	Auroral map		Instrument	UVS
Requestor	UVS-AWG/W. KENT TOBISKA	Team	UVS	Working Group
				AWG
Time System	CDS	Load ID	G7A	Calendar Date
				04/02/97
Week	14			
Start	JEE-CDS 2507:00:0		97-092/16:49:58.400	JEE-001/18:14:51.333
End	JEE-CDS 00002385:00:0		97-092/18:53:19.733	JEE-001/16:11:30.000
Duration	00000122:00:0		000/02:03:21.333	000/02:03:21.333
Top Label	G7JUAURMAP01-			
Bottom Label	realtime			
Plot Key	UVS	Type	SCI	
CDS Bytes	330	Report Options	BOTH	Scan Platform
				Yes
CDS Source	OAP	Spin State	DUAL	DMS
				No
Observation Objective				
<p>Northern auroral map of dayside - nightside asymmetry between 160-230 longitude for 1.5 hours and southern auroral map (brightside) for 0.5 hours. NIMS rides along for H3+ and EUV rides along for full spectral coverage. SSI rides along (G7JSAURORA01) with 5 images (25 frames) during the first half hour.</p> <p>Realtime observation at 10 bps for 2.0 hours; F/G full-scan on northern darkside then southern plus northern brightside. NIMS takes s/p for 8 RIMS during the last 10 RIM hole. Expect RTSPMT = G. Distance from Jupiter = 24 Rj.</p> <p>Last cn/ck = 90.06/93.78.</p> <p>[NOTE: Agreement with PWS for full scans.]</p>				
Design Detail				
<pre> PSID CDS RIM COMMAND PARAMETERS 384AC 00 00 COMMENT UVS RIM 0 349AE 00 -11+UVFLSH PACKET,BOTH (from the UVS AWG G7JUFIXTMD01 observation) 157AC 38 01 CMDRS PLAN_DUR = 111 RIMS; EST_UVS_CMDS = 2 02 1 34UVS/UVF:07, SCAN, NORM, NORM, NORM, SAME, 0, ON, OFF, ON, ON, OFF, NOOVR, 1, 00, 9C, 01, 2C 112 111 34UVS/OFF:C1, FIXED, NORM, NORM, NORM, SAME, 0, OFF, OFF, ON, OFF, OFF, NOOVR, 1, 2C, 05, 00, 00 165AC 72 02 TARGET Lat/lon = 60/185 (TMC) (RA/Dec = 224.67/-16.88) 305AA 00 02+SELECT INSTR = UVS2, COMPR = RICE, CMPR_DVSR = 1.5, CMPR_UNC = 0.0 349AG 28 30+UVFLSH PACKET,BOTH (1) 165AD 36 32 TARGET Lat/lon = 60/190 (no TMC) (RA/Dec = 225.00/-16.95) 349AH 28 60+UVFLSH PACKET,BOTH (2) 165AE 36 62 TARGET Lat/lon = -70/150 (no TMC) (RA/Dec = 223.07/-20.64) 349AI 28 90+UVFLSH PACKET,BOTH (3) 165AF 36 92 TARGET Lat/lon = 60/160 (no TMC) (RA/Dec = 224.65/-16.78) 349AJ 28 111+UVFLSH PACKET,BOTH (4) 300AA 00 111+DESELC INSTR = UVS2 </pre>				



ESIGN G3.0 kent : 2/26/1997 8:34:52

FILE:P.G7JUAURMAP01

ENTRAL BODY:JUPITER III

FILE:m.G7JUAURMAP01

FILE:/C/EPH:/DATA/NAVIO/T-961231-TOUR.NS

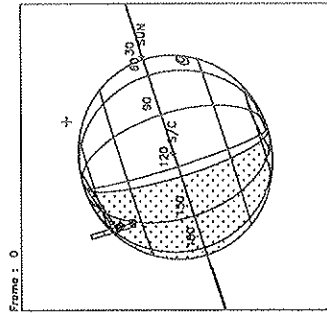
ERIAPSIS:

TART:JEE 97-094/11:03:48.400 -CDS 2505:00:0

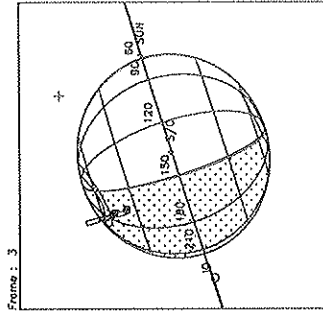
165AG:TT= 0 TMC= 1 C= 0.00 XC= 0.00 BS= 0/2763 TC= 1(60 185)
 A= 546 pD= 5460 SR=17.450 RA50=224.61 DEC50=-16.87 cone= 92.22 clock= 97.38
 165AD:TT= 0 TMC= 1 C= 0.00 XC= 0.00 BS= 0/8223 TC= 1(60 190)
 A= 364 pD= 5460 SR=17.450 RA50=224.94 DEC50=-16.94 cone= 92.54 clock= 97.39
 165AE:TT= 0 TMC= 1 C= 0.00 XC= 0.00 BS= 0/3683 TC= 1(-70 150)
 A= 364 pD= 0 SR=17.450 RA50=223.01 DEC50=-20.62 cone= 91.75 clock= 93.35
 165AF:TT= 0 TMC= 1 C= 0.00 XC= 0.00 BS= 0/9143 TC= 1(60 160)
 A= 364 pD= 0 SR=17.450 RA50=224.59 DEC50=-16.77 cone= 92.17 clock= 97.47

THINNING:NIM 1 :UVS 1

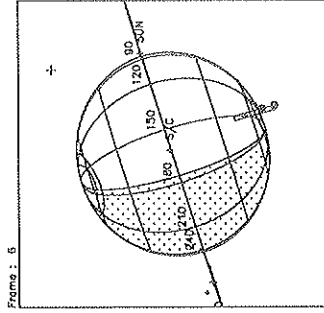
BODY PLOT TIME:TARGET-TIME D= 0 S= 0.750



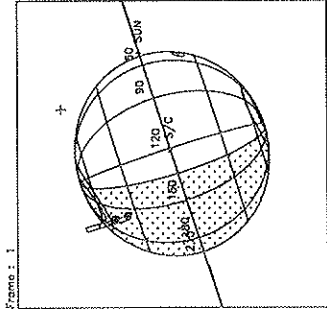
UTC : 1997-092 // 18:50:54.392
 SCLK: 1/0389557000000



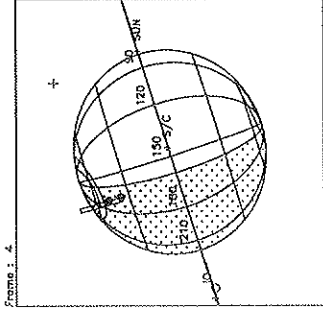
UTC : 1997-092 // 17:32:56.392
 SCLK: 1/0389581122000



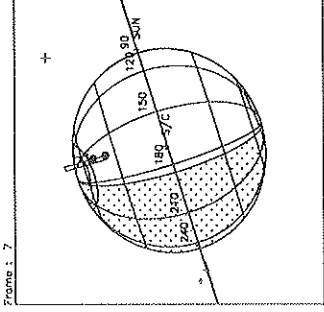
UTC : 1997-092 // 18:14:18.392
 SCLK: 1/0389582440000



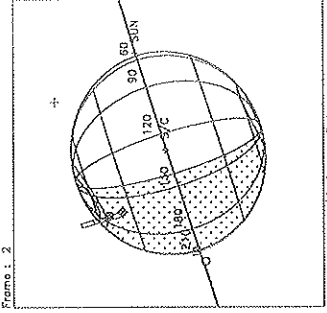
UTC : 1997-092 // 17:04:48.392
 SCLK: 1/0389583680000



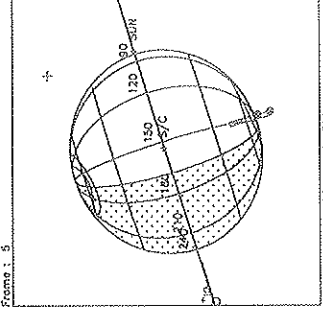
UTC : 1997-092 // 17:48:30.392
 SCLK: 1/0389592490000



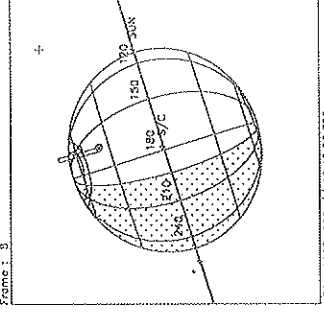
UTC : 1997-092 // 18:28:12.392
 SCLK: 1/0389596621000



UTC : 1997-092 // 17:18:42.392
 SCLK: 1/0389597450000



UTC : 1997-092 // 18:00:24.392
 SCLK: 1/0389603687000

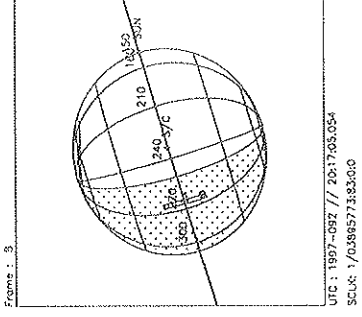
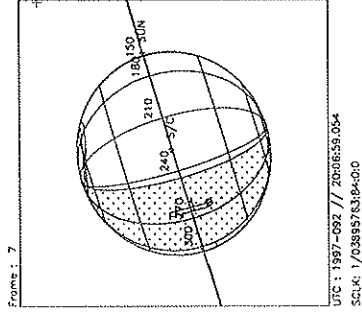
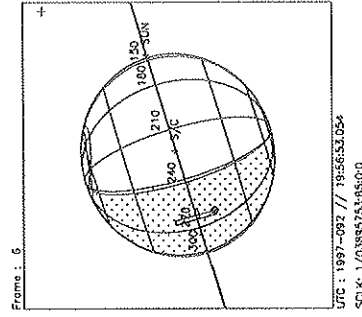
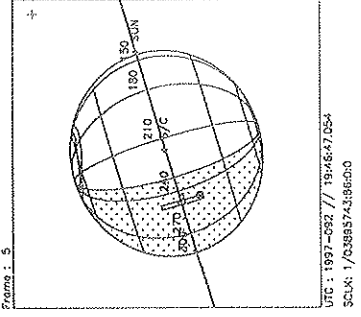
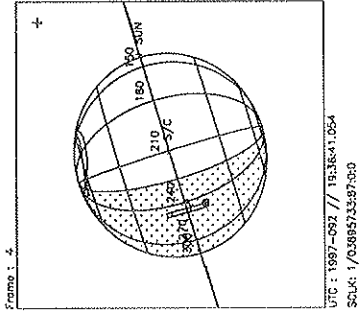
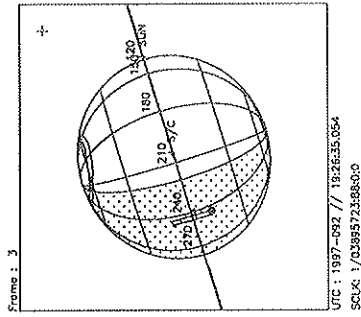
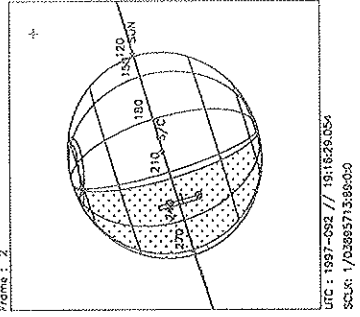
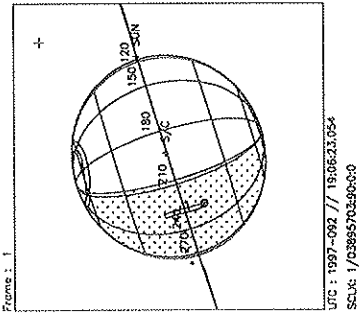
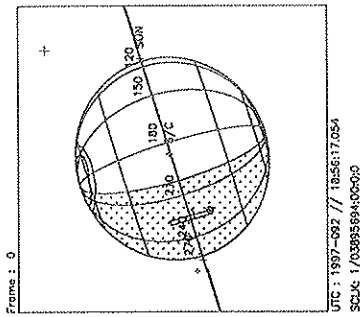


UTC : 1997-092 // 18:42:06.392
 SCLK: 1/038960791890000

Target Body : JUPITER
 Target Cone/Clock : 91.02 / 95.52 Deg
 S/C to Body Center : 1722412 Km (24.092373 Ri)
 Z-axis Pointing (Ro / Dec) : 136.87 / 15.00 Deg

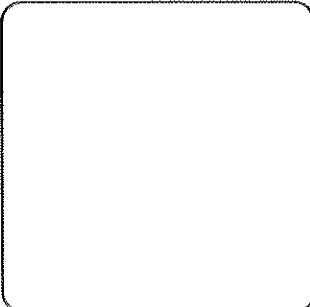
Start UTC_TIME : 1997-092 // 16:50:54.392
 End UTC_TIME : 1997-092 // 18:42:07.721
 Start SCLK : 1/03895570:00:00
 Delta Time between FOV : 834.0000
 FOVs : F Channel(0.1x0.4), N/G Channel(0.5x0.5)

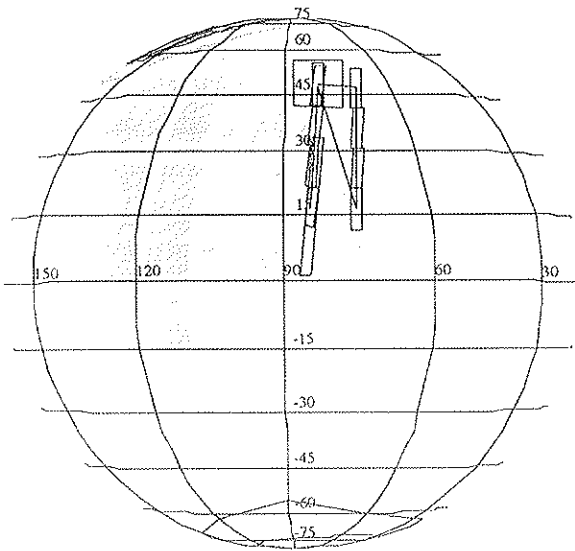
Activity ID: Orbit G7		OAPEL JUDRKMAP		SeqNo 01-	
Title	Darkside Map	Instrument		UVS	
Requestor	UVS-AWG/W.KENT TOBISKA	Team	UVS	Working Group	AWG
Time System	CDS	Load ID	G7A	Calendar Date	04/02/97 Week 14
Start	JEE-CDS 2385:00:0		97-092/18:53:19.733		JEE-001/16:11:30.000
End	JEE-CDS 00002291:00:0		97-092/20:28:22.400		JEE-001/14:36:27.333
Duration	00000094:00:0		000/01:35:02.667		000/01:35:02.667
Top Label	G7JUDRKMAP01-				
Bottom Label	realtime				
Plot Key	UVS	Type	SCI		
CDS Bytes	251	Report Options	BOTH	Scan Platform	Yes
CDS Source	OAP	Spin State	DUAL	DMS	No
Observation Objective					
	Global mapping of darkside equatorial H Ly-a between 225-265 longitude.				
	Realtime observation at 10 bps for 0.5 hours; G/G Ly-a 88 step 2 posh miniscan. 10 RIMS UVS OFF/FIXED every 30 RIMS for PWS. Expect RTSPMT = G. Distance from Jupiter = 23 Rj.				
	Last cn/ck = TBD.				
Design Detail					
PSID CDS RIM COMMAND PARAMETERS					
384AE 00 00 COMMNT UVS RIM 0					
61AD 28 02+LOOPER DUR = 30 RIMS; REPEAT = 3 (157AE)					
349AK 28 03+UVFLSH DISCRD,UVS					
157AE 38 03 CMDRS PLAN_DUR = 21 RIMS; EST_UVS_CMDS = 2					
04 1					
34UVS/UVG:DF, FIXED, NORM, NORM, NORM, SAME, 0, OFF, OFF, ON, ON, OFF, NOOVR, 1, 2C, 7D, 00, 2C					
24 21					
34UVS/OFF:C1, FIXED, NORM, NORM, NORM, SAME, 0, OFF, OFF, ON, OFF, OFF, NOOVR, 1, 2C, 05, 00, 00					
16SAG 36 04 TARGET Lat/lon = 0/225 (no TMC) (RA/Dec = 226.27/-19.32)					
117AH 37 04 CSNOS 3 repo 1 subcsnos					
349AL 28 23+UVFLSH PACKET, BOTH (1)					
349AM 28 53+UVFLSH PACKET, UVS (2)					
349AN 28 83+UVFLSH PACKET, UVS (3)					



Start UTC_TIME : 1997-092 // 18:56:17.054
End UTC_TIME : 1997-092 // 20:17:10.384
Start SCLK : 1/0389569400:0:0
Delta Time between FOV : 606.0000
FOVs : F Channel(0.1x0.4), N/G Channel(0.5x0.5)

Target Body : JUPITER
Target Cone/Clock : 92.89 / 95.45 Deg
S/C to Body Center : 1663539. Km (23.266888 R)
Z-axis Pointing (Ro / Dec) : 136.86 / 15.05 Deg

Activity ID:	Orbit G7	OAPEL JUFTKR1E	SeqNo	11-			
Title	Barge Feature Track		Instrument	UVS			
Requestor	UVS-AWG/W. KENT TOBISKA	Team	UVS	Working Group	AWG		
Time System	CDS	Load ID	G7A	Calendar Date	04/03/97	Week	14
Start	JTA-CDS 604:00:0		97-093/01:48:53.734		JTA-000/10:10:42.666		
End	JTA-CDS 00000587:00:0		97-093/02:06:05.067		JTA-000/09:53:31.333		
Duration	00000017:00:0		000/00:17:11.333		000/00:17:11.333		
Top Label	G7JUFTKR1E11-						
Bottom Label	realtime						
Plot Key	UVS	Type	SCI				
CDS Bytes	403	Report Options	BOTH		Scan Platform	No	
CDS Source	OAP	Spin State	DUAL		DMS	No	
Observation Objective							
<div style="border: 1px solid black; padding: 5px; width: 200px; height: 150px; display: inline-block; vertical-align: top;">  </div> <p>AWG brown barge (42/81 lat/lon) feature track (JTA epoch). rotation 1, solar phase angle 75 deg, emission angle 1, follows G7JSBRNBRG01 2x4.</p> <p>Desired realtime observation; full F/F scan followed by 176 step G/G miniscan covering 1496-1755 A hydrocarbons. Expect RTSFMT = F. Distance from Jupiter = 22 Rj.</p> <p>Last cn/ck = 100.32/97.22.</p> <p>[NOTE: IRTF observed spot at lat/lon = 42/81 on Feb 22, 1997.]</p>							
Design Detail							
<pre> PSID CDS RIM COMMAND PARAMETERS 384AH 00 00 COMMENT UVS RIM 0 349AO 28 -01+UVPLSH DISCRD,UVS 157AH 52 00 CMDRS PLAN_DUR = 43 RIMS; EST_UVS_CMDS = 3 01 1 34UVS/UVF:07,SCAN,NORM,NORM,NORM,SAME,0,ON,OFF,OFF,ON,OFF,NOOVR,1,00,9C,00,00 17 17 34UVS/UVG:E3,FIXED,NORM,NORM,NORM,SAME,0,OFF,OFF,ON,ON,OFF,NOOVR,1,1A,8E,00,00 43 43 34UVS/OFF:C1,FIXED,NORM,NORM,NORM,SAME,0,OFF,OFF,ON,OFF,OFF,NOOVR,1,2C,05,00,00 165AJ 36 01 TARGET Lat/Lon = 47/70.5 (RA/Dec = 232.52/-18.91) 117AA 63 01 CSMOS C1 4 strips; C2 1 strip; C3 3 strips 349AP 28 01+UVPLSH PACKET,UVS (1) 349AQ 28 03+UVPLSH PACKET,UVS (2) 349AR 28 05+UVPLSH PACKET,UVS (3) 349AS 28 07+UVPLSH PACKET,UVS (4) 349AT 28 09+UVPLSH PACKET,UVS (5) 349AU 28 11+UVPLSH PACKET,UVS (6) 349AV 28 13+UVPLSH PACKET,UVS (7) 349AW 28 15+UVPLSH PACKET,UVS (8) </pre>							



165AJ:TT= 0 TMC= 1 C= 0.00 XC= 0.00 BS= 0/4865 TC= 1(47 70.5)
 A= 182 pD= 0 SR=17.450 RA50=232.45 DEC50=-18.90 cone= 99.95 clock= 97.20
 117AA:#SB= 3 OR= 0.020 RR=12.000 BM=F RC= 1 BS= 0/4865
 1:#s= 4 Cs= 0.00 XCs= 0.00 Cr= -0.50 XCr= -7.00 sD= 272 rD= 92
 2:#s= 1 Cs= 0.00 XCs= 0.00 Cr= 8.00 XCr= 21.25 sD= 272 rD= 92
 3:#s= 3 Cs= 0.00 XCs= 0.00 Cr= -0.50 XCr= -7.00 sD= 272 rD= 92

ESIGN G3.0 kent : 2/26/1997 8:44:37

ILE:P.G7JUFTKR1E11

ENTRAL BODY:JUPITER III

INI:m.G7JUFTKR1E11

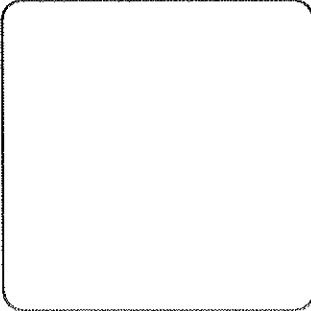
PH:/DATA/NAVIO/T-961231-TOUR.NS

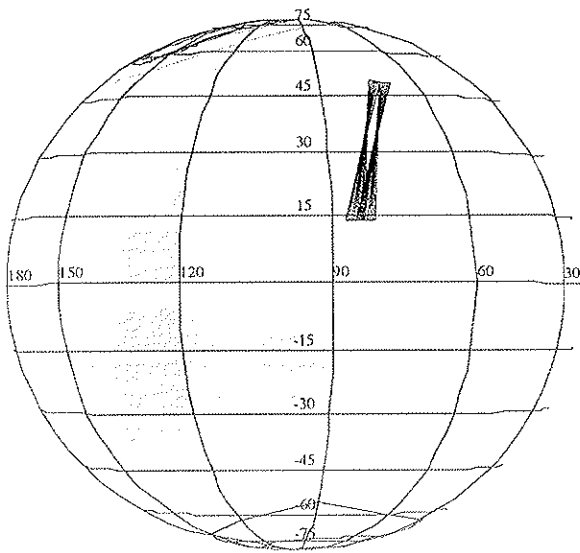
ERIAPSIS:

THINNING: :UVS 1

TART:JTA 97-093/12:27:54.400 -CDS 603:00:0

BODY PLOT TIME:TARGET-TIME D= 0 S= 0.750

Activity ID:	Orbit G7	OAPEL JUFTKR1E	SeqNo	12-			
Title	Barge Feature Track		Instrument	UVS			
Requestor	UVS-AWGAW.KENTTOBISKA	Team	UVS	Working Group	AWG		
Time System	CDS	Load ID	G7A	Calendar Date	04/03/97	Week	14
Start	JTA-CDS 587:00:0		97-093/02:06:05.067		JTA-000/09:53:31.333		
End	JTA-CDS 00000561:00:0		97-093/02:32:22.400		JTA-000/09:27:14.000		
Duration	00000026:00:0		000/00:26:17.333		000/00:26:17.333		
Top Label	G7JUFTKR1E12-						
Bottom Label	realtime						
Plot Key	UVS	Type	SCI				
CDS Bytes	120	Report Options	BOTH	Scan Platform	No		
CDS Source	OAP	Spin State	DUAL	DMS	No		
Observation Objective							
 <p>AWG brown barge (42/81 lat/lon) feature track (JTA epoch), rotation 1, solar phase angle 75 deg, emission angle 1, follows G7JSBRNBRG01 2x4.</p> <p>Desired realtime observation; 176 step G/G miniscan covering 1496-1755 Å hydrocarbons. Expect RTSPMT = F. Distance from Jupiter = 22 R_J.</p> <p>Last cn/ck = TBD.</p> <p>[NOTE: IRTF observed spot at lat/lon = 42/81 on Feb 22, 1997.]</p>							
Design Detail							
PSID	CDS	RIM	COMMAND PARAMETERS				
384AI	00	00	COMMT UVS RIM 0				
165AK	36	00	TARGET Lat/Lon = 30/80 (RA/Dec = 232.52/-19.54)				
349AX	28	07	+UVFLSH PACKET,UVS (9)				
349AY	28	16	+UVFLSH PACKET,UVS (10)				
349AZ	28	25	+UVFLSH PACKET,UVS (11)				



165AK:TT= 0 TMC= 1 C= 0.00 XC= 0.00 BS= 0/7777 TC= 1(30 80)
 A= 120 pD= 0 SR=17.456 RA50=232.46 DEC50=-19.53 cone=100.09 clock= 96.57

ESIGN G3.0 kent : 2/26/1997 8:46:21

FILE:P.G7JUFTKR1E12

CENTRAL BODY:JUPITER III

IN:m.G7JUFTKR1E12

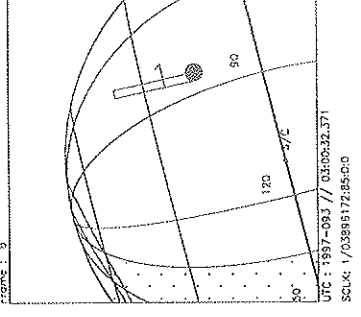
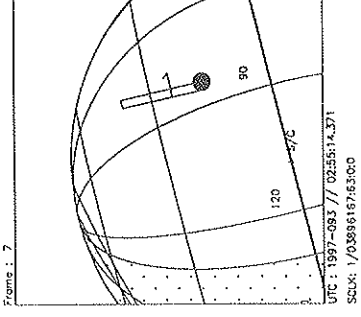
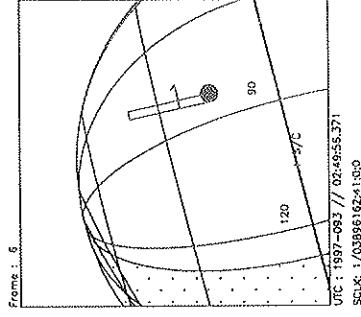
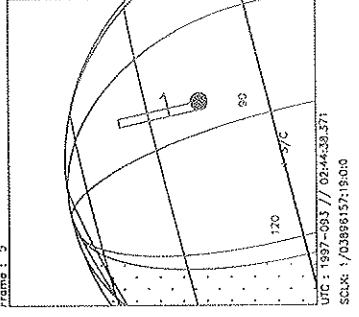
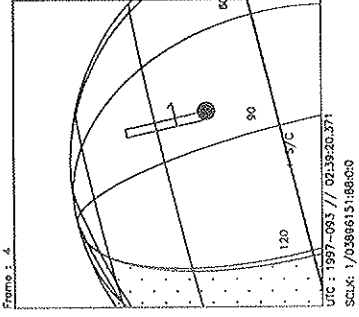
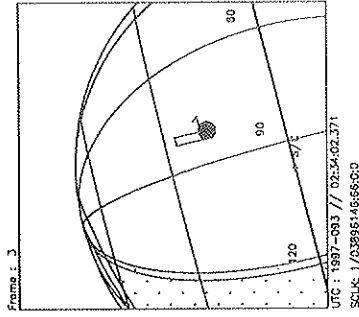
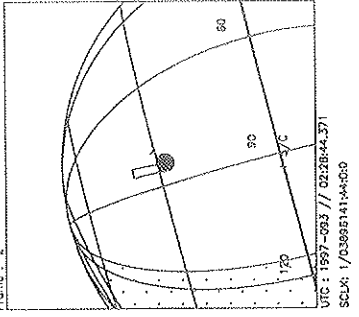
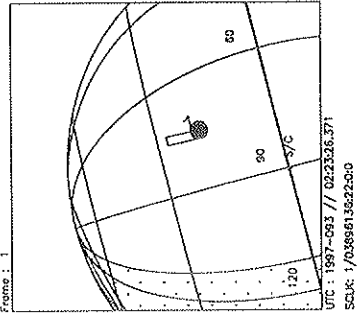
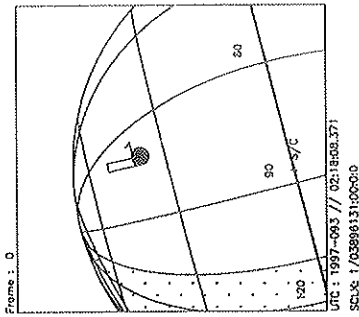
PH:/DATA/NAVIO/T-961231-TOUR.NS

ERIAPSIS:

THINNING: :UVS 1

START:JTA 97-093/12:27:54.400 -CDS 587:00:0

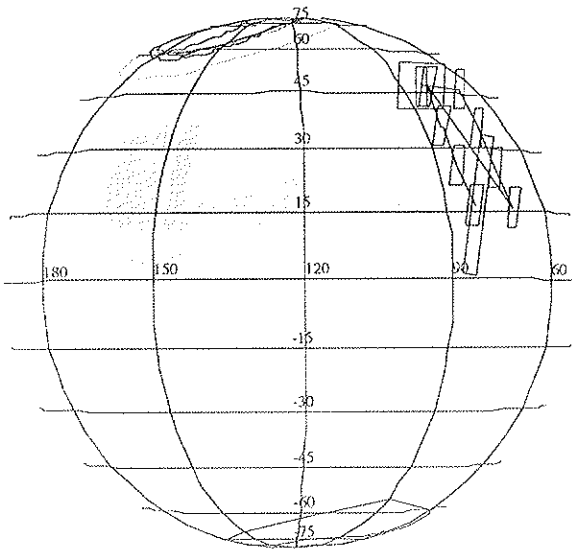
BODY PLOT TIME:TARGET-TIME D= 0 S= 0.750



Start UTC_TIME : 1997-093 // 02:18:08.371
 End UTC_TIME : 1997-093 // 03:00:36.368
 Start SCLK : 1/03896131:00:00
 Delta Time between FOV : 318.0000
 FOVs : F Channel(0.1x0.4), N/G Channel(0.5x0.5)

Target Body : JUPITER
 Target Cone/Clock : 100.57 / 95.21 Deg
 S/C to Body Center : 1450285. Km (20.285979 Rj)
 Z-axis Pointing (Ra / Dec) : 136.90 / 15.10 Deg

Activity ID:	Orbit G7	OAPEL JUFTKR1E	SeqNo	21-
Title	Barge Feature Track		Instrument	UVS
Requestor	UVS-AWG/W.KENT TOBISKA	Team	UVS	Working Group
				AWG
Time System	CDS	Load ID	G7A	Calendar Date
				04/03/97
Week				14
Start	JTA-CDS 546:00:0		97-093/02:47:32.400	JTA-000/09:12:04.000
End	JTA-CDS 00000529:00:0		97-093/03:04:43.734	JTA-000/08:54:52.666
Duration	00000017:00:0		000/00:17:11.334	000/00:17:11.334
Top Label	G7JUFTKR1E21-			
Bottom Label	realtime			
Plot Key	UVS	Type	SCI	
CDS Bytes	403	Report Options	BOTH	Scan Platform
				No
CDS Source	OAP	Spin State	DUAL	DMS
				No
Observation Objective				
<p>AWG brown barge (42/81 lat/lon) feature track (JTA epoch), rotation 1, solar phase angle 75 deg, emission angle 2, follows G7JSBRNBRG02 2x4.</p> <p>Desired realtime observation; full F/F scan followed by 176 step G/G miniscan covering 1496-1755 A hydrocarbons. Expect RTSFMT = F. Distance from Jupiter = 22 Rj.</p> <p>Last cn/ck = 100.46/97.23.</p> <p>[NOTE: IRTF observed spot at lat/lon = 42/81 on Feb 22, 1997.]</p>				
Design Detail				
<pre> PSID CDS RIM COMMAND PARAMETERS 384AK 00 00 COMMMT UVS RIM 0 349KA 28 -01+UVFLSH DISCRD,UVS 157AI 52 00 CMDRS PLAN_DUR = 43 RIMS; EST_UVS_CMDS = 3 01 1 34UVS/UVF: 07, SCAN, NORM, NORM, NORM, SAME, 0, ON, OFF, OFF, ON, OFF, NOOVR, 1, 00, 9C, 00, 00 17 17 34UVS/UVG: E3, FIXED, NORM, NORM, NORM, SAME, 0, OFF, OFF, ON, ON, OFF, NOOVR, 1, 1A, 8E, 00, 00 43 43 34UVS/OFF: C1, FIXED, NORM, NORM, NORM, SAME, 0, OFF, OFF, ON, OFF, OFF, NOOVR, 1, 2C, 05, 00, 00 165AL 36 01 TARGET Lat/Lon = 47/68 (RA/Dec = 232.66/-18.93) 117AC 63 01 CSMOS C1 4 strips; C2 1 strip; C3 3 strips 349KB 28 01+UVFLSH PACKET,UVS (1) 349KC 28 03+UVFLSH PACKET,UVS (2) 349KD 28 05+UVFLSH PACKET,UVS (3) 349KE 28 07+UVFLSH PACKET,UVS (4) 349KF 28 09+UVFLSH PACKET,UVS (5) 349KG 28 11+UVFLSH PACKET,UVS (6) 349KH 28 13+UVFLSH PACKET,UVS (7) 349KI 28 15+UVFLSH PACKET,UVS (8) </pre>				



165AL:TT= 0 TMC= 1 C= 0.00 XC= 0.00 BS= 0/5421 TC= 1(47 68)
 A= 182 pD= 0 SR=17.450 RA50=232.60 DEC50=-18.92 cone=100.09 clock= 97.21
 117AC:#SB= 3 OR= 0.020 RR=12.000 BM=F RC= 1 BS= 0/5421
 1:#s= 4 Cs= 0.00 XCs= 0.00 Cr= -3.25 XCr= -7.00 sD= 272 rD= 92
 2:#s= 1 Cs= 0.00 XCs= 0.00 Cr= 16.25 XCr= 21.25 sD= 272 rD= 92
 3:#s= 3 Cs= 0.00 XCs= 0.00 Cr= -3.25 XCr= -7.00 sD= 272 rD= 92

ESIGN G3.0 kent : 2/26/1997 8:54:47

ILE:P.G7JUFTKR1E21

ENTRAL BODY:JUPITER III

INI:m.G7JUFTKR1E21

PH:/DATA/NAVIO/T-961231-TOUR.NS

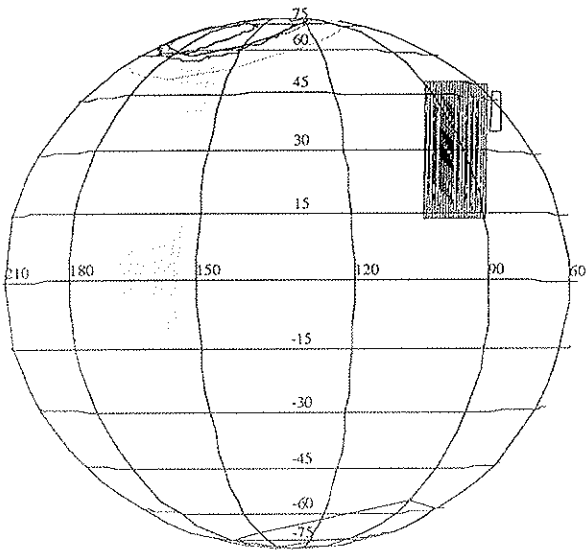
ERIAPSIS:

THINNING: :UVS 1

TART:JTA 97-093/12:27:54.400 -CDS 545:00:0

BODY PLOT TIME:TARGET-TIME D= 0 S= 0.750

Activity ID: Orbit G7		CAPEL JUFTKR1E		SeqNo 22-	
Title	Barge Feature Track			Instrument	UVS
Requestor	UVS-AWG/W. KENT TOBISKA	Team	UVS	Working Group	AWG
Time System	CDS	Load ID	G7A	Calendar Date	04/03/97 Week 14
Start	JTA-CDS 529:00:0		97-093/03:04:43.734		JTA-000/08:54:52.666
End	JTA-CDS 00000503:00:0		97-093/03:31:01.067		JTA-000/08:28:35.333
Duration	00000026:00:0		000/00:26:17.333		000/00:26:17.333
Top Label	G7JUFTKR1E22-				
Bottom Label	realtime				
Plot Key	UVS	Type	SCI		
CDS Bytes	120	Report Options	BOTH	Scan Platform	No
CDS Source	OAP	Spin State	DUAL	DMS	No
Observation Objective					
<div style="border: 1px solid black; width: 200px; height: 150px; display: inline-block; vertical-align: top;"></div> <p>AWG brown barge (42/81 lat/lon) feature track (JTA epoch), rotation 1, solar phase angle 75 deg, emission angle 2, follows G7JSBRNBRG02 2x4.</p> <p>Desired realtime observation; 176 step G/G miniscan covering 1496-1755 A hydrocarbons. Expect RTPFMT = F. Distance from Jupiter = 22 Rj.</p> <p>Last cn/ck = TBD.</p> <p>{NOTE: IRTF observed spot at lat/lon = 42/81 on Feb 22, 1997.}</p>					
Design Detail					
<pre> PSID CDS RIM COMMAND PARAMETERS 384AL 00 00 COMMENT UVS RIM 0 165AM 36 00 TARGET Lat/Lon = 30/100 (RA/Dec = 233.15/-19.67) 349KJ 28 07+UVFLSH PACKET,UVS (9) 349KK 28 16+UVFLSH PACKET,UVS (10) 349KL 28 25+UVFLSH PACKET,UVS (11) </pre>					



165AM:TT= 0 TMC= 1 C= 0.00 XC= 0.00 BS= 0/8333 TC= 1(30 100)
 A= 182 pD= 0 SR=17.450 RA50=233.08 DEC50=-19.65 cone=100.69 clock= 96.58

ESIGN G3.0 kent : 2/26/1997 9: 5: 1

FILE:P.G7JUFTKR1E22

CENTRAL BODY:JUPITER III

FILE:m.G7JUFTKR1E22

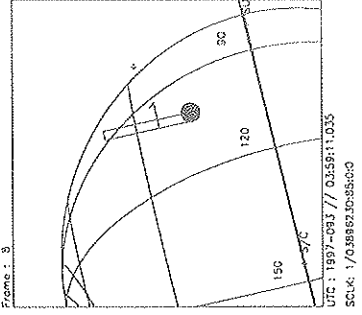
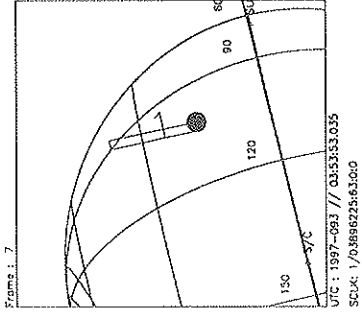
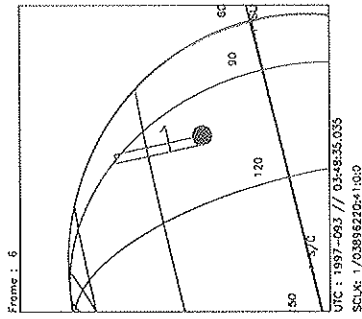
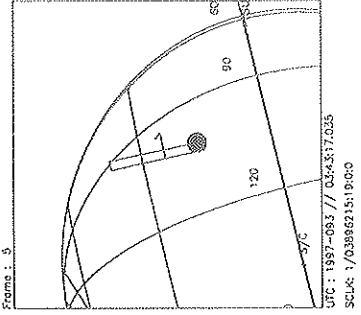
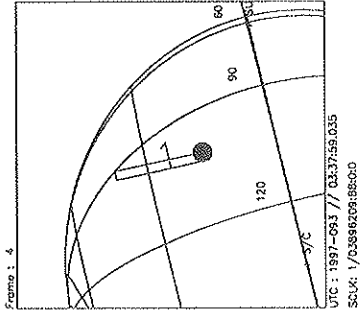
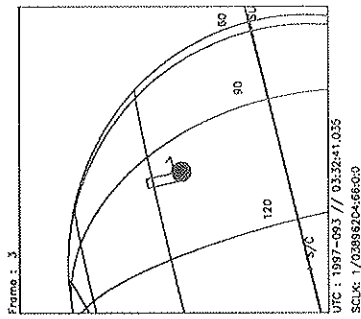
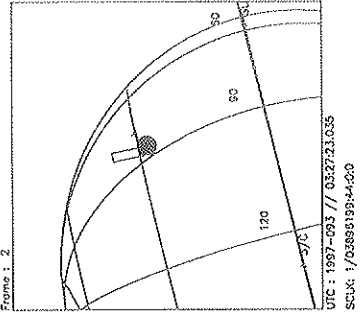
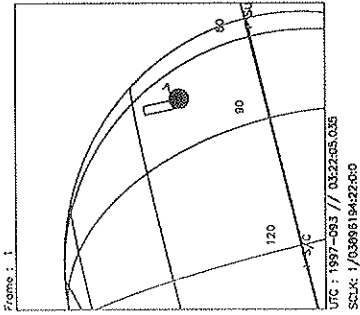
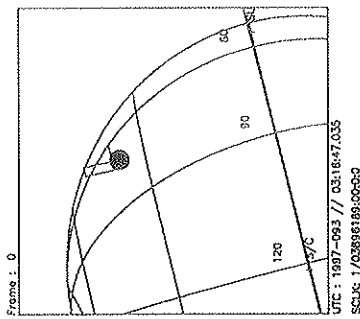
PH:/DATA/NAVIO/T-961231-TOUR.NS

ERIAPSIS:

THINNING: :UVS 1

START:JTA 97-093/12:27:54.400 -CDS 529:00:0

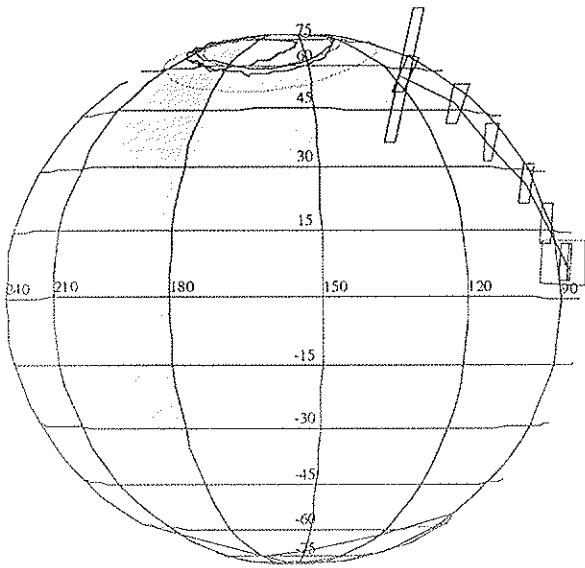
BODY PLOT TIME:TARGET-TIME D= 0 S= 0.750



Start UTC_TIME : 1987-093 // 03:16:47.035
 End UTC_TIME : 1987-093 // 03:59:15.034
 Start SCLK : 1/03896189:00:00:0
 Delta Time between FOV : 318.0000
 FOVs : F Channel(0.1x0.4), N/G Channel(0.5x0.5)

Target Body : JUPITER
 Target Cone/Clock : 101.77 / 95.17 Deg
 S/C to Body Center : 1421355. Km (19.881315 Rj)
 Z-axis Pointing (Ra / Dec) : 136.90 / 15.10 Deg

Activity ID:	Orbit G7	OAPEL JUFTKR1E	SeqNo	31-			
Title	Barge Feature Track		Instrument	UVS			
Requestor	UVS-AWG/W. KENT TOBISKA	Team	UVS	Working Group	AWG		
Time System	CDS	Load ID	G7A	Calendar Date	04/03/97	Week	14
Start	JTA-CDS 490:00:0		97-093/03:44:09.734		JTA-000/08:15:26.666		
End	JTA-CDS 00000477:00:0		97-093/03:57:18.400		JTA-000/08:02:18.000		
Duration	00000013:00:0		000/00:13:08.666		000/00:13:08.666		
Top Label	G7JUFTKR1E31-						
Bottom Label	realtime						
Plot Key	UVS	Type	SCI				
CDS Bytes	347	Report Options	BOTH		Scan Platform	No	
CDS Source	OAP	Spin State	DUAL		DMS	No	
Observation Objective							
<div style="border: 1px solid black; padding: 5px; width: 200px; height: 150px; display: inline-block; vertical-align: top;"></div> <p>AWG brown barge (42/81 lat/lon) feature track (JTA epoch), rotation 1, solar phase angle 75 deg, emission angle 3, follows G7JSBRNBERG03 1x6.</p> <p>Desired realtime observation; full F/F scan followed by 176 step G/G miniscan covering 1496-1755 A hydrocarbons. Expect RTSPMT = F. Distance from Jupiter = 22 Rj.</p> <p>Last cn/ck = 100.15/95.61.</p> <p>[NOTE: IRTF observed spot at lat/lon = 42/81 on Feb 22, 1997.]</p>							
Design Detail							
<pre> PSID CDS RIM COMMAND PARAMETERS 384AM 00 00 COMMENT UVS RIM 0 349RM 28 -01+UVFLSH DISCRD,UVS 157AJ 52 00 CMDRS PLAN_DUR = 24 RIMS; EST_UVS_CMDS = 3 01 1 34UVS/UVF: 07, SCAN, NORM, NORM, NORM, SAME, 0, ON, OFF, OFF, ON, OFF, NOOVR, 1, 00, 9C, 00, 00 13 13 34UVS/UVG: E3, FIXED, NORM, NORM, NORM, SAME, 0, OFF, OFF, ON, ON, OFF, NOOVR, 1, 1A, 8E, 00, 00 24 24 34UVS/OFF: C1, FIXED, NORM, NORM, NORM, SAME, 0, OFF, OFF, ON, OFF, OFF, NOOVR, 1, 2C, 05, 00, 00 165AN 36 01 TARGET Lat/Lon = 8/86 (RA/Dec = 232.36/-20.49) 117AE 63 01 CMOS C1 3 strips; C2 2 strips; C3 1 strip 349KN 28 01+UVFLSH PACKET,UVS (1) 349KO 28 03+UVFLSH PACKET,UVS (2) 349KP 28 05+UVFLSH PACKET,UVS (3) 349KQ 28 07+UVFLSH PACKET,UVS (4) 349KR 28 09+UVFLSH PACKET,UVS (5) 349KS 28 11+UVFLSH PACKET,UVS (6) </pre>							



165AN:TT= 0 TMC= 1 C= 0.00 XC= 0.00 BS= 0/5613 TC= 1(8 86)
 A= 182 pD= 0 SR=17.450 RA50=232.30 DEC50=-20.47 cone=100.15 clock= 95.61
 117AE:#SB= 3 OR= 0.020 RR=12.000 BM=F RC= 1 BS= 0/5613
 1:#s= 3 Cs= 0.00 XCs= 0.00 Cr= 4.00 XCr= 7.00 sD= 272 rD= 92
 2:#s= 2 Cs= 0.00 XCs= 0.00 Cr= 7.00 XCr= 7.00 sD= 272 rD= 92
 3:#s= 1 Cs= 0.00 XCs= 0.00 Cr= 10.00 XCr= 5.00 sD= 272 rD= 92

ESIGN G3.0 kent : 2/26/1997 9: 9:48

FILE:P.G7JUFTKR1E31

CENTRAL BODY:JUPITER III

IN:m.G7JUFTKR1E31

PH:/DATA/NAVIO/T-961231-TOUR.NS

ERIAPSIS:

THINNING: :UVS 1

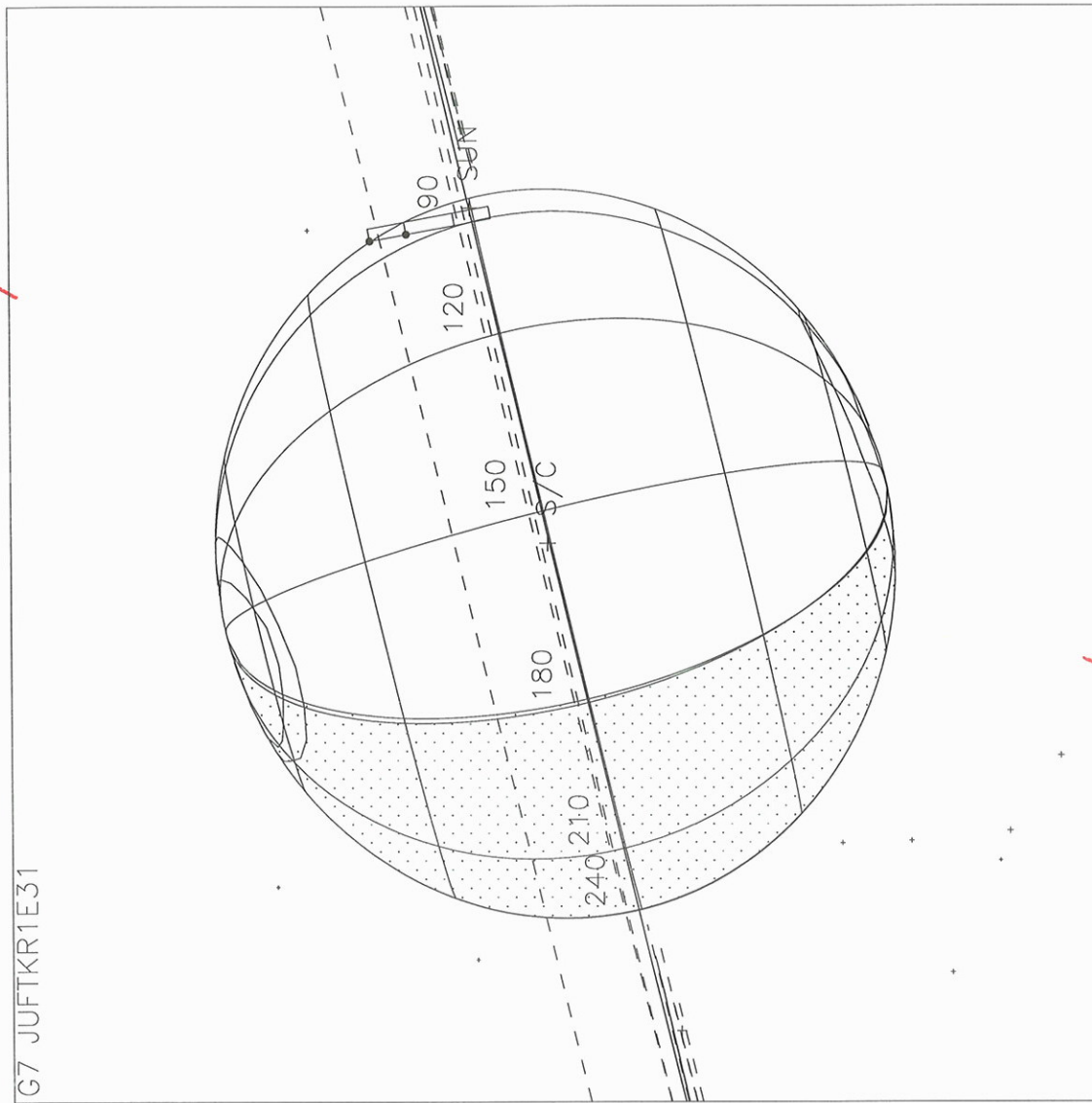
TART:JTA 97-093/12:27:54.400 -CDS 489:00:0

BODY PLOT TIME:TARGET-TIME D= 0 S= 0.750

Tue Oct 20 17:34:34 1998

planned

G7 JUFTKR1E31



Start UTC_TIME : 1997-093 // 04:15:25.000 ✓

No End Time :

Start SCLK : 1/03896246:89:7:2

Target Body : JUPITER

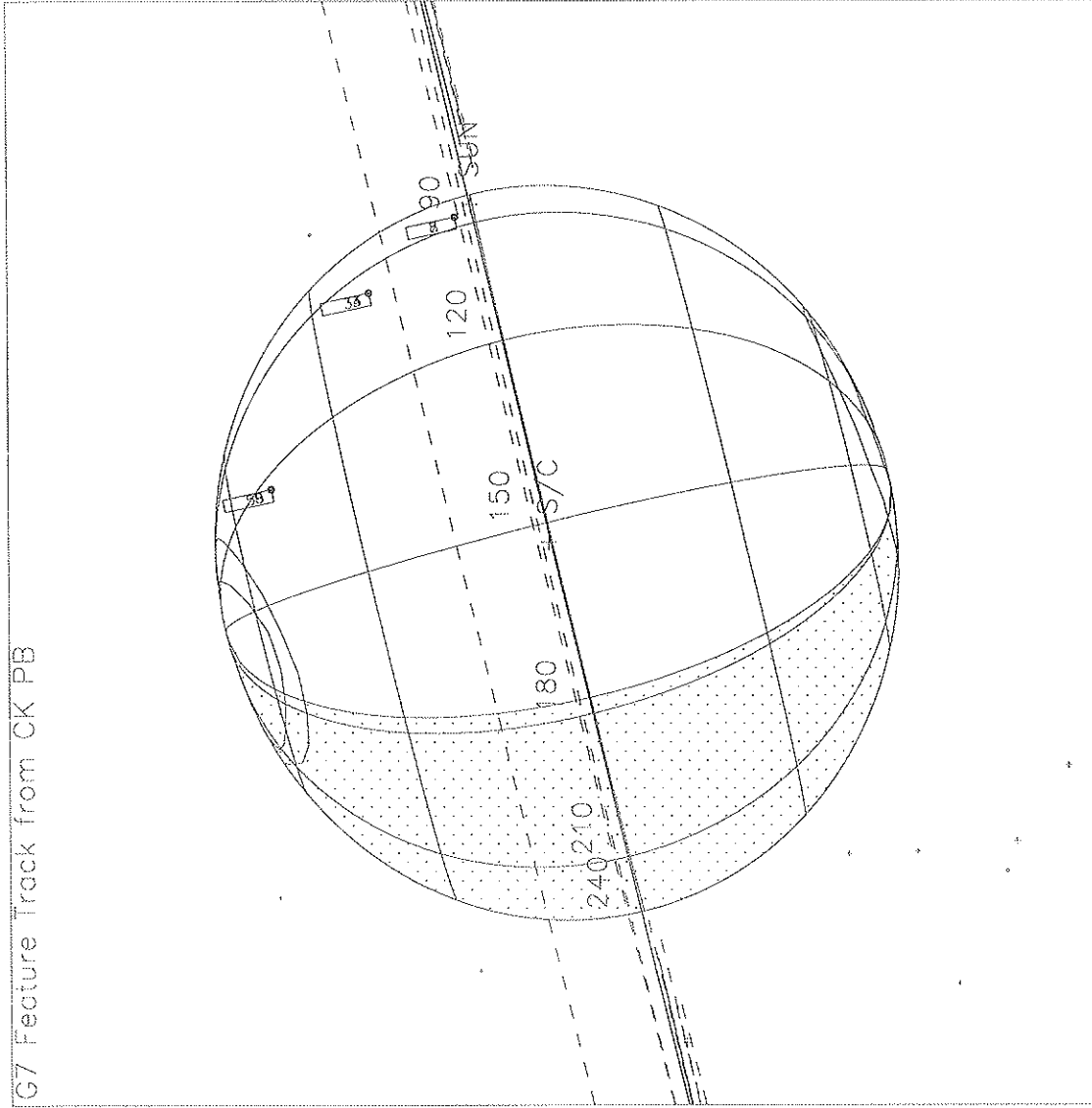
Target Ra/Dec : 235.19 / -21.53 Deg

S/C to Body Center : 1392367. Km (19.475837 Rj)

Z-axis Pointing (Ra / Dec) : 136.90 / 15.10 Deg

Tue Oct 20 17:38:18 1998

G7 Feature Track from CK PB

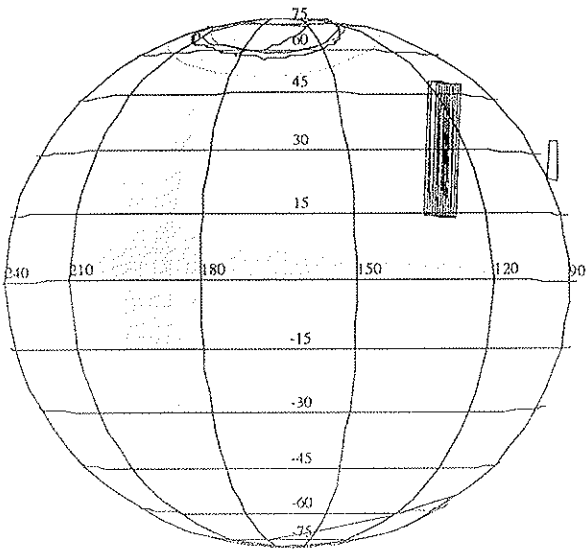


Start UTC_TIME : 1997-093 // 04:12:00.000
End UTC_TIME : 1997-093 // 04:24:30.000
Start SCLK : 1/03896243:55:2.2
Delta Time between FOV : 12.00000
FOVs : F Channel(0.1x0.4), N/G Channel(0.1x1.0)

Target Body : JUPITER
Target Ra/Dec : 235.12 / -21.51 Deg
S/C to Body Center : 1394063. Km (19.499567 Rj)
Z-axis Pointing (Ra / Dec) : 136.90 / 15.10 Deg

Handwritten notes:
1. 2. 3. 4. 5. 6. 7. 8. 9. 10. 11. 12. 13. 14. 15. 16. 17. 18. 19. 20. 21. 22. 23. 24. 25. 26. 27. 28. 29. 30. 31. 32. 33. 34. 35. 36. 37. 38. 39. 40. 41. 42. 43. 44. 45. 46. 47. 48. 49. 50. 51. 52. 53. 54. 55. 56. 57. 58. 59. 60. 61. 62. 63. 64. 65. 66. 67. 68. 69. 70. 71. 72. 73. 74. 75. 76. 77. 78. 79. 80. 81. 82. 83. 84. 85. 86. 87. 88. 89. 90. 91. 92. 93. 94. 95. 96. 97. 98. 99. 100.

| | | | | |
|---|--|-----------------------|---------------------|--|
| Activity ID: | Orbit G7 | OAPEL JUFTKR1E | SeqNo | 32- |
| Title | Barge Feature Track | | Instrument | UVS |
| Requestor | UVS-AWG/W. KENT TOBISKA | Team | UVS | Working Group AWG |
| Time System | CDS | Load ID | G7A | Calendar Date 04/03/97 Week 14 |
| Start | JTA-CDS 477:00:0 | | 97-093/03:57:18.400 | JTA-000/08:02:18.000 |
| End | JTA-CDS 00000466:00:0 | | 97-093/04:08:25.734 | JTA-000/07:51:10.666 |
| Duration | 00000011:00:0 | | 000/00:11:07.334 | 000/00:11:07.334 |
| Top Label | G7JUFTKR1E32- | | | |
| Bottom Label | realtime | | | |
| Plot Key | UVS | Type | SCI | |
| CDS Bytes | 92 | Report Options | BOTH | Scan Platform No |
| CDS Source | OAP | Spin State | DUAL | DMS No |
| Observation Objective | | | | |
| | AWG brown barge (42/81 lat/lon) feature track (JTA epoch), rotation 1, solar phase angle 75 deg, emission angle 3, follows G7JSBRNERG03 1x6. | | | |
| | Desired realtime observation; 176 step G/G miniscan covering 1496-1755 A hydrocarbons. Expect RTSPMT = F. Distance from Jupiter = 22 Rj. | | | |
| | Last cn/ck = TBD. | | | |
| | [NOTE: IRTF observed spot at lat/lon = 42/81 on Feb 22, 1997.] | | | |
| Design Detail | | | | |
| <pre> PSID CDS RIM COMMAND PARAMETERS 384AN 00 00 COMMENT UVS RIM 0 165AO 36 00 TARGET lat/Lon = 30/130 (RA/Dec = 234.27/-19.90) 349KT 28 04+UVFLSH PACKET,UVS (7) 349KU 28 09+UVFLSH PACKET,UVS (8) </pre> | | | | |



165AO:TT= 0 TMC= 1 C= 0.00 XC= 0.00 BS= 0/7797 TC= 1(30 130)
 A= 182 pD= 0 SR=17.450 RA50=234.20 DEC50=-19.88 cone=101.77 clock= 96.58

ESIGN G3.0 kent : 2/26/1997 9:12:33

FILE:P.G7JUFTKR1E32

CENTRAL BODY:JUPITER III

INI:m.G7JUFTKR1E32

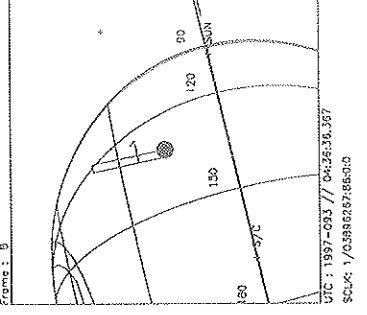
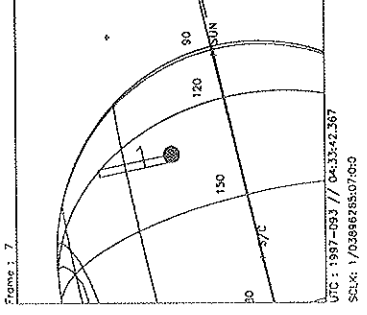
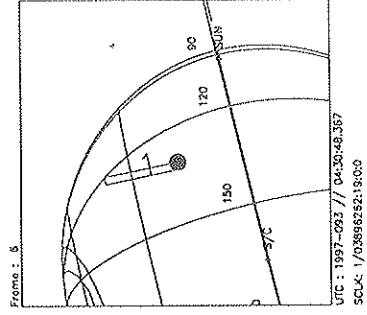
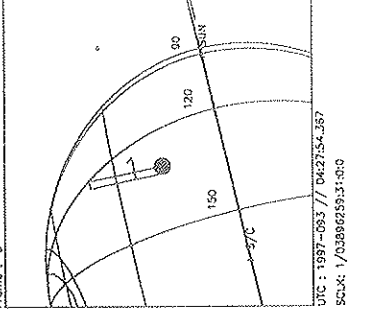
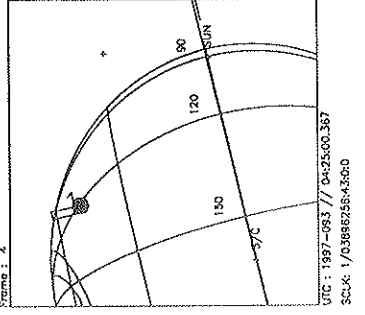
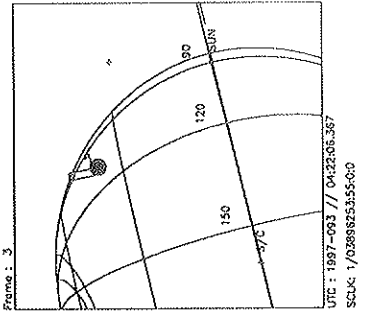
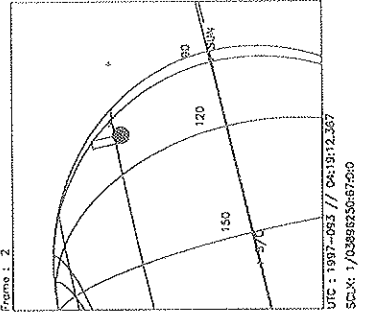
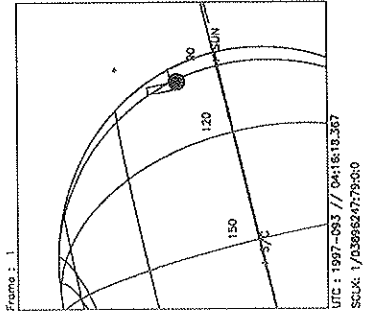
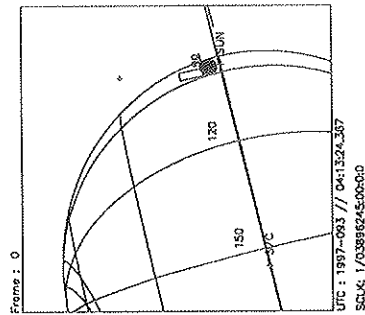
PH:/DATA/NAVIO/T-961231-TOUR.NS

ERIAPSIS:

THINNING: :UVS 1

START:JTA 97-093/12:27:54.400 -CDS 477:00:0

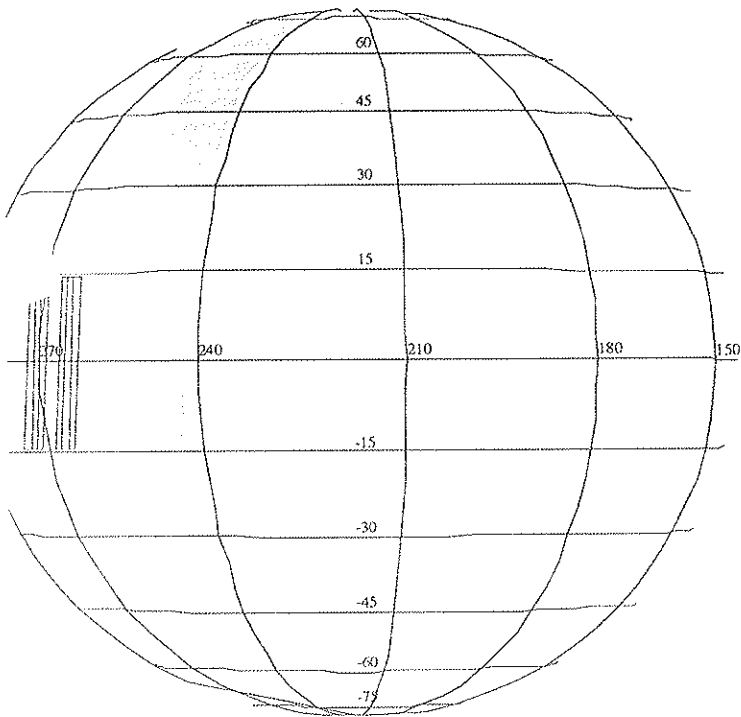
BODY PLOT TIME:TARGET-TIME D= 0 S= 0.750



Start UTC_TIME : 1997-093 // 04:13:24.367
 End UTC_TIME : 1997-093 // 04:36:39.699
 Start SCLX : 1/03896245:00:0:0
 Delta Time between FOV : 174.0000
 FOVs : F Channel(0.1x0.4), N/G Channel(0.5x0.5)

Target Body : JUPITER
 Target Cone/Clock : 102.99 / 95.12 Deg
 S/C to Body Center : 139329. Km (19.486893 Rj)
 Z-axis Pointing (Rc / Dec) : 136.88 / 15.09 Deg

| | | | | | | | |
|---|--|-----------------------|---------------------|----------------------|----------------------|-------------|----|
| Activity ID: | Orbit G7 | OAPEL JUFIXLON | SeqNo | 01- | | | |
| Title | Fixed longitude map | | Instrument | UVS | | | |
| Requestor | UVS-AWG/W. KENT TOBISKA | Team | UVS | Working Group | AWG | | |
| Time System | CDS | Load ID | G7A | Calendar Date | 04/03/97 | Week | 14 |
| Start | JEE-CDS 1729:00:0 | | 97-093/05:56:37.067 | | JEE-001/05:08:12.666 | | |
| End | JEE-CDS 00001665:00:0 | | 97-093/07:01:19.733 | | JEE-001/04:03:30.000 | | |
| Duration | 00000064:00:0 | | 000/01:04:42.666 | | 000/01:04:42.666 | | |
| Top Label | G7JUFIXLON01- | | | | | | |
| Bottom Label | realtime | | | | | | |
| Plot Key | UVS | Type | SCI | | | | |
| CDS Bytes | 194 | Report Options | BOTH | Scan Platform | Yes | | |
| CDS Source | OAP | Spin State | DUAL | DMS | No | | |
| Observation Objective | | | | | | | |
| | Fixed longitude map for darkside global mapping of equatorial H Ly-a at 270-290 longitude. | | | | | | |
| | Realtime observation at 10 bps for 1.0 hours; G/G Ly-a 88 step 2 post miniscan. 10 RIMS UVS OFF/FIXED every 30 RIMS for PWS. Expect RTSFMT = A. Distance from Jupiter = 18 Rj. | | | | | | |
| | Last cn/ck = TBD. | | | | | | |
| Design Detail | | | | | | | |
| <pre> PSID CDS RIM COMMAND PARAMETERS 384AO 00 00 COMMENT UVS RIM 0 349KV 28 03+UVFLSH DISCRD,UVS 157AK 38 03 CMDRS PLAN_DUR = 61 RIMS; EST_UVS_CMDS = 4 04 01 34UVS/UVG:DF, FIXED, NORM, NORM, NORM, SAME, 0, OFF, OFF, ON, ON, OFF, NOOVR, 1, 2C, 7D, 00, 2C 24 21 34UVS/OFF:C1, FIXED, NORM, NORM, NORM, SAME, 0, OFF, OFF, ON, OFF, OFF, NOOVR, 1, 2C, 05, 00, 00 34 31 34UVS/UVG:DF, FIXED, NORM, NORM, NORM, SAME, 0, OFF, OFF, ON, ON, OFF, NOOVR, 1, 2C, 7D, 00, 2C 54 51 34UVS/OFF:C1, FIXED, NORM, NORM, NORM, SAME, 0, OFF, OFF, ON, OFF, OFF, NOOVR, 1, 2C, 05, 00, 00 165AP 36 04 TARGET Lat/Lon = 0/270 (RA/Dec = 240.33/-22.56) 349KW 28 23+UVFLSH PACKET,UVS (1) 165AQ 36 34 TARGET Lat/Lon = 0/290 (RA/Dec = 241.20/-22.72) 349KX 28 53+UVFLSH PACKET,UVS (2) </pre> | | | | | | | |



165AP:TT= 0 TMC= 1 C= 0.00 XC= 0.00 BS= 0/4723 TC= 1(0 270)
 A= 728 pD= 0 SR=17.450 RA50=240.26 DEC50=-22.55 cone=107.81 clock= 94.95
 165AQ:TT= 0 TMC= 1 C= 0.00 XC= 0.00 BS= 0/0183 TC= 1(0 290)
 A= 182 pD= 0 SR=17.450 RA50=241.13 DEC50=-22.71 cone=108.64 clock= 94.92

ESIGN G3.0 kent : 2/26/1997 9:14:12

FILE:P.G7JUFIXLON01

CENTRAL BODY:JUPITER III

IN:m.G7JUFIXLON01

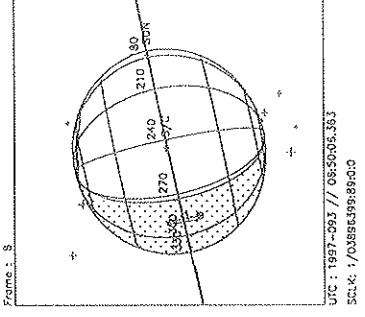
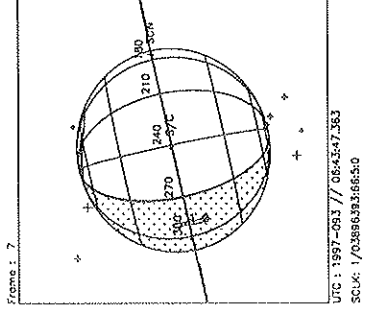
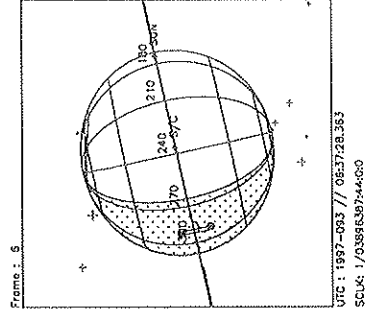
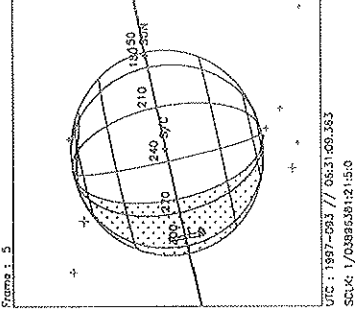
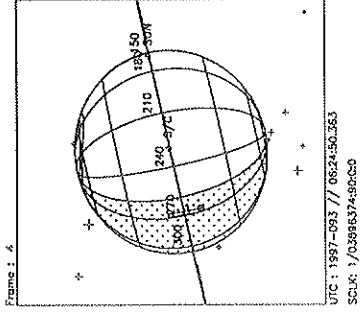
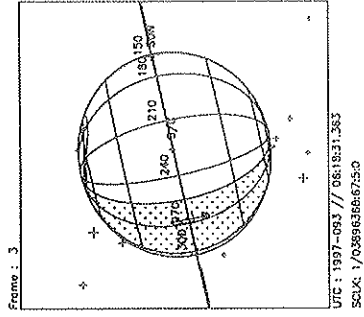
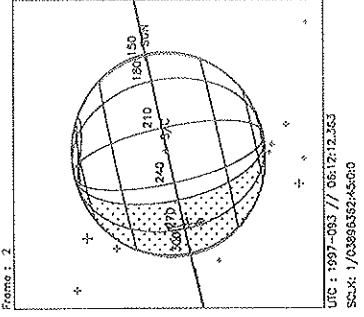
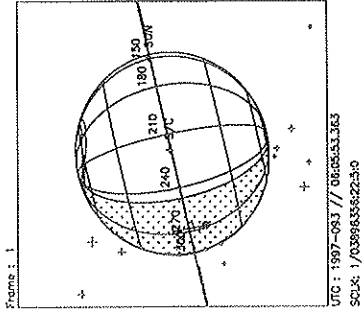
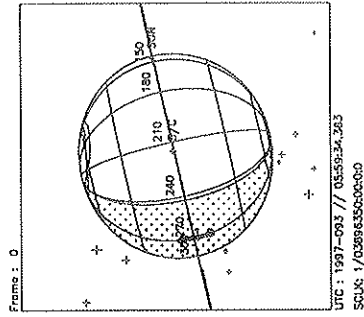
PH:/DATA/NAVIO/T-961231-TOUR.NS

ERIAPSIS:

THINNING: :UVS 1

TART:JEE 97-094/11:03:48.400 -CDS 1725:00:0

BODY PLOT TIME:TARGET-TIME D= 0 S= 1.000

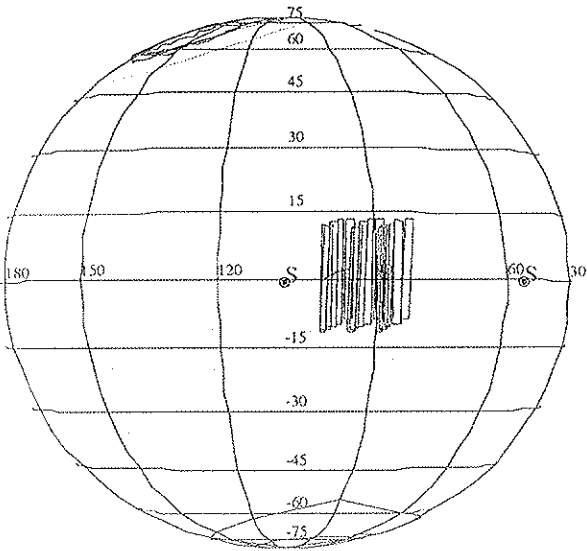


Start UTC_TIME : 1997-093 // 05:59:34.363
 End UTC_TIME : 1997-093 // 06:50:07.694
 Start SCLK : 1/038963500000:0:0
 Delta Time between FOV : 379.0000
 FOVs : F Channel(0.1x0.4), N/G Channel(0.5x0.5)

Target Body : JUPITER
 Target Cone/Clock : 105.39 / 95.03 Deg
 S/C to Body Center : 1340401. Km (18.748963 Rj)
 Z-axis Pointing (Ro / Dec) : 136.87 / 15.06 Deg

| | | |
|--|---|--|
| Activity ID: Orbit G7 | OAPEL JUBRTMAP | SeqNo 01- |
| Title Brightside map | | Instrument UVS |
| Requestor UVS-AWG/W. KENT TOBISKA | Team UVS | Working Group AWG |
| Time System CDS | Load ID G7A | Calendar Date 04/03/97 Week 14 |
| Start JEE-CDS 1300:00:0 | 97-093/13:10:23.067 | JEE-000/21:54:26.666 |
| End JEE-CDS 00001146:00:0 | 97-093/15:46:05.733 | JEE-000/19:18:44.000 |
| Duration 00000154:00:0 | 000/02:35:42.666 | 000/02:35:42.666 |
| Top Label G7JUBRTMAP01- | | |
| Bottom Label realtime | | |
| Plot Key UVS | Type SCI | |
| CDS Bytes 307 | Report Options BOTH | Scan Platform Yes |
| CDS Source OAP | Spin State DUAL | DMS No |
| Observation Objective | | |
| | FUV equatorial dayglow observation. | |
| | Realtime observation at 10 bps for 2.5 hours; G/G 24 step 2 position miniscan covering 1260-1333 A and 1448-1521 A in first order. 10 RIMS UVS OFF/FIXED every 30 RIMS for PWS. Expect RTSFMT = A. Distance from Jupiter = 16 Rj. | |
| | Last cn/ck = TBD. | |
| | [NOTE: Similar to E6JUBRTMAP01; new command and targetting approved by Don Shemansky.]
update: 48 step 1261.3-1333.4, 1448.9-1519.7 2nd order
84 - 131 207 - 254 | |
| Design Detail | | |
| PSID CDS RIM COMMAND PARAMETERS
384AP 00 00 COMMNT UVS RIM 0
61AC 28 02+LOOPER DUR = 30 RIMS; REPEAT = 5 (157AL)
349KY 28 03+UVFLSH DISCRD,UVS
157AL 38 03 CMDRS PLAN_DUR = 21 RIMS; EST_UVS_CMDS = 2
04 1
34UVS/UVG:DB, FIXED, NORM, NORM, NORM, SAME, 0, OFF, OFF, ON, ON, OFF, NOOVR, 1, 80, 6D, 00, 7B ✓
24 21
34UVS/OFF:C1, FIXED, NORM, NORM, NORM, SAME, 0, OFF, OFF, ON, OFF, OFF, NOOVR, 1, 2C, 05, 00, 00
165AR 36 04 TARGET Lat/lon = 0/100 (RA/Dec = 250.15/-24.02)
117AG 37 04 CSMOS 1 subcsmos; 5 slews on brightside
349KZ 28 23+UVFLSH PACKET,UVS (1)
349LA 28 53+UVFLSH PACKET,UVS (2)
349LB 28 83+UVFLSH PACKET,UVS (3)
349LC 28 113+UVFLSH PACKET,UVS (4)
349LD 28 143+UVFLSH PACKET,UVS (5) | | |

date good



165AR:TT= 0 TMC= 1 C= 0.00 XC= 0.00 BS= 0/2801 TC= 1(0 100)
 A= 728 pD= 0 SR=17.450 RA50=250.08 DEC50=-24.01 cone=116.95 clock= 94.64
 117AG:#SB= 1 OR= 1.000 RR=12.000 BM=F RC= 1 BS= 0/2801
 1:#s= 5 Cs= 0.00 XCs= 0.00 Cr= 18.50 XCr= 0.00 sD= 5278 rD= 182

ESIGN G3.0 kent : 2/26/1997 9:17:26

FILE:P.G7JUBRTMAP01

CENTRAL BODY:JUPITER III

IN:m.G7JUBRTMAP01

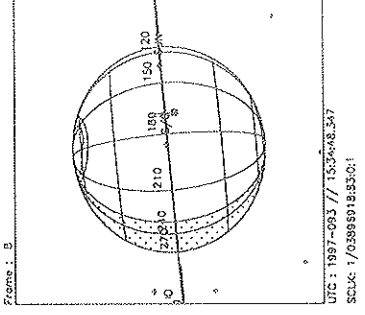
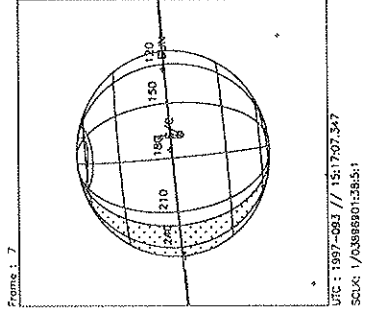
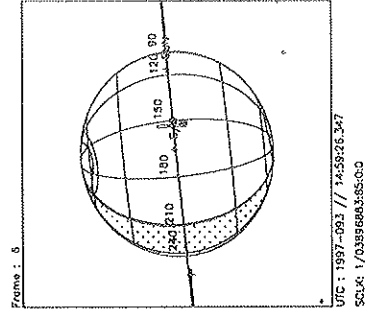
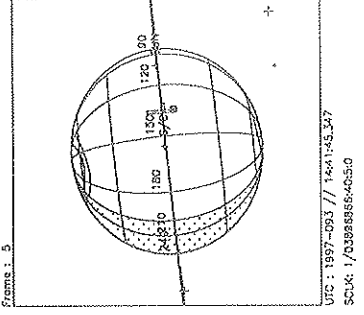
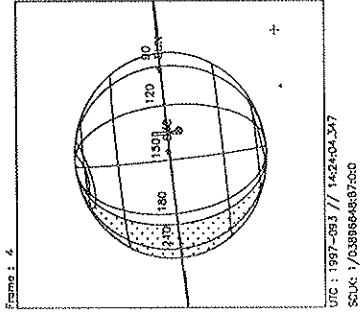
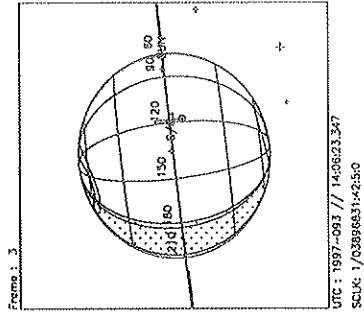
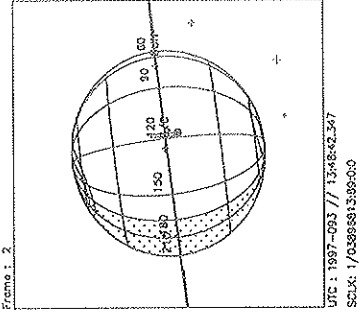
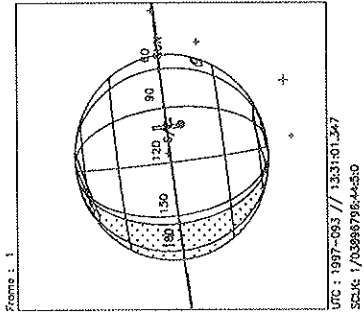
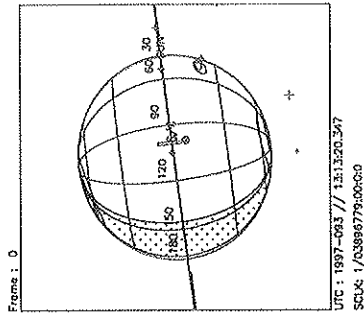
PH:/DATA/NAVIO/T-961231-TOUR.NS

ERIAPSIS:

THINNING: :UVS 1

TART:JEE 97-094/11:03:48.400 -CDS 1296:00:0

BODY PLOT TIME:TARGET-TIME D= 0 S= 0.750



Start UTC_TIME : 1997-093 // 13:13:20.347
End UTC_TIME : 1997-093 // 15:34:53.675
Start SCLK : 1/03896779:00:00
Delta Time between FOV : 1061.000
FOVs : F Channel(0.1x0.4), N/C Channel(0.5x0.5)

Target Body : JUPITER
Target Cone/Clock : 117.51 / 94.59 Deg
S/C to Body Center : 1121924. Km (15.693003 Rj)
Z-axis Pointing (Rc / Dec) : 136.90 / 15.10 Deg