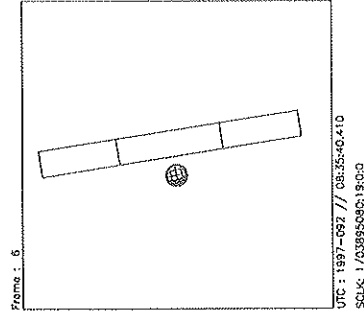
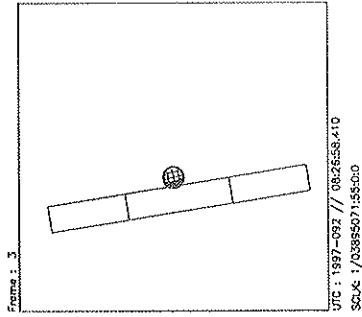
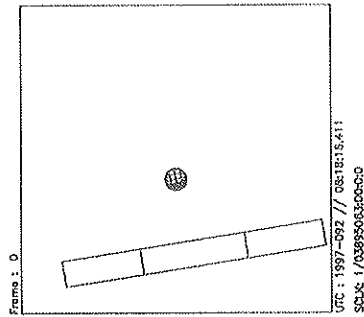
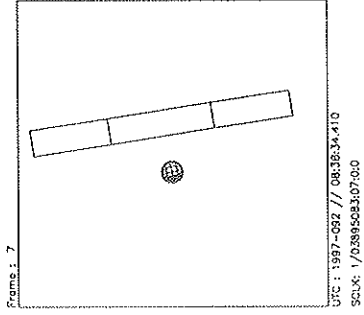
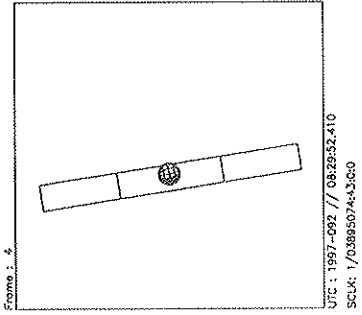
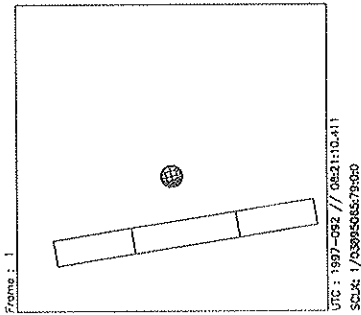


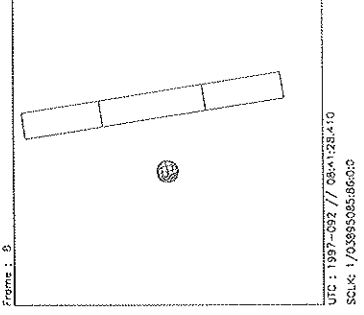
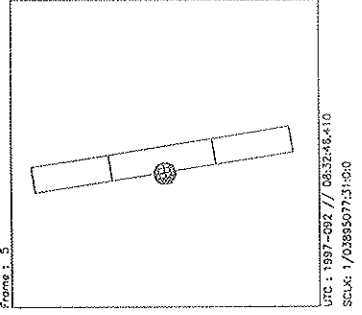
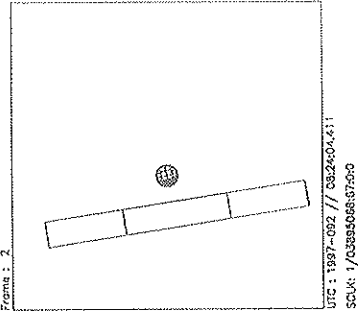
Activity ID: Orbit G7		OAPEL EUEECLPS		SeqNo 01-	
Title		UVS EUROPA ECLIPSE (PRE-INGRESS)		Instrument UVS	
Requestor		UVS-SWG/J. AIELLO X37737		Team UVS	
				Working Group SWG	
Time System CDS		Load ID		Calendar Date 04/02/97	
				Week 14	
Start		JEE-CDS 00003022:00:0		97-092/08:08:13.734	
End		JEE-CDS 00002988:00:0		97-092/08:42:36.400	
Duration		00000034:00:0		000/00:34:22.666	
000/00:34:22.666					
Top Label		G7EUEECLPS01-			
Bottom Label					
Plot Key		UVS		Type SCI	
CDS Bytes		130		Report Options BOTH	
CDS Source		OAP		Spin State DUAL	
				Scan Platform No	
				DMS No	
<b>Observation Objective</b>					
<p>Real-time Europa Eclipse observation. Characterize the change in the lower atmospheric UV airglow emissions as Europa enters and exits eclipse. Determine if the source of the change is due to: 1) a change in the lower atmospheric composition as it cools (ie. SO2 condensation); or 2) a potential change in the excitation mechanism if solar photoexcitation is dominant over particle impact.</p> <p>G7EUEECLPS01- = Europa eclipse pre-ingress measurement. 1 scan-platform drift across Europa in real-time (23 RIM 3-sigma drift rate) just before the satellite enters Jupiter's eclipse.</p> <p>UVS Configuration = F/G Full Scans</p>					
<b>Design Detail</b>					
CDS RIM Command Parameters					PSID
28 003+UVFLUSH DISCRD,UVS					(CA)
36 004 TARGET (4 RIM Posn_slew)					(CA)
38 003 CMDRS					(CA)
004 1 34UVS,07,S,N,N,N,S,0,	ON,OFF,ON,ON,OFF,NOVR,1,00,9C,01,2C				
027 24 34UVS,C1,F,N,N,N,S,0,OFF,OFF,	ON,OFF,OFF,NOVR,1,2C,05,00,00				
28 032+UVFLUSH PACKET,UVS					(CB)
<p><i>as sequenced:</i>  34UVS,07,S,N,N,N,S,0,ON,ON,OFF,ON,OFF,NOVR,2,00,9C,01,2C</p> <p style="text-align: right;"><i>KCS  June 18, 07</i></p>					



Start UTC\_TIME : 1997-092 // 08:18:16.411  
No End Time :  
Start SCLX : 1/03895063:00:00



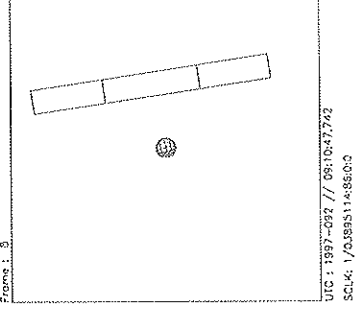
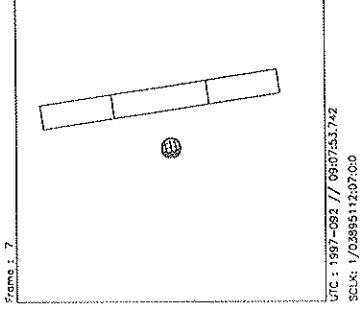
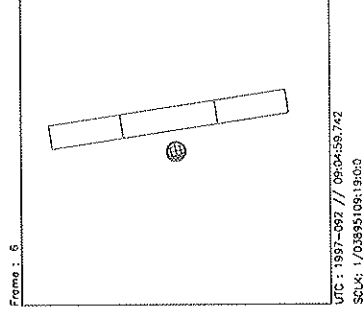
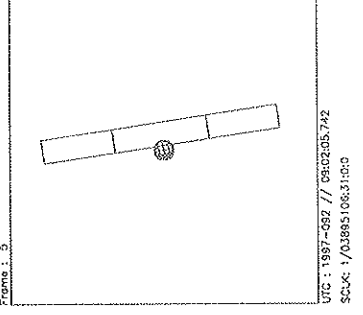
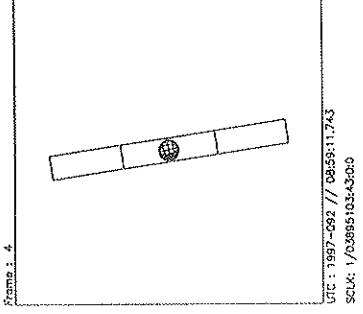
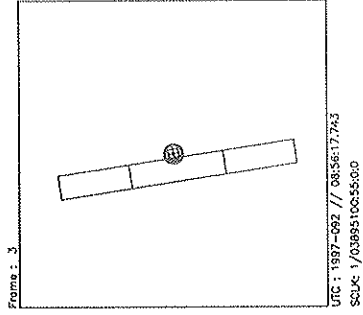
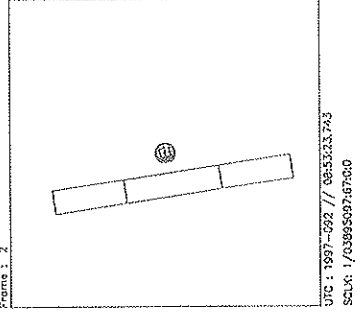
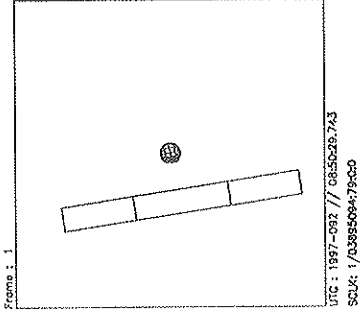
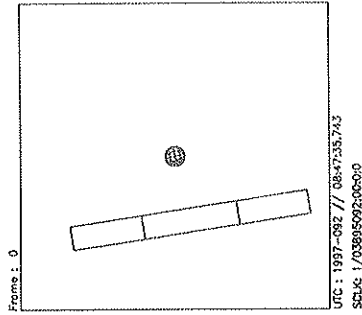
Target Body : EUROPA  
Target Cone/Clock : 101.84 / 95.18 Deg  
S/C to Body Center : 2198078. Km ( 1404.5224 Re )  
Z-axis Pointing ( Ra / Dec ) : 136.90 / 15.10 Deg



Activity ID:	Orbit G7	OAPEL EUEECLPS	SeqNo	02-		
Title	UVS EUROPA ECLIPSE (AFTER-INGRESS)		Instrument	UVS		
Requestor	UVS-SWG/K.NAVIAUX 37740	Team	UVS	Working Group	SWG	
Time System	CDS	Load ID	Calendar Date	04/02/97	Week	14
Start	JEE-CDS 00002985:00:0		97-092/08:45:38.400		JEE-002/02:18:10.000	
End	JEE-CDS 00002961:00:0		97-092/09:09:54.400		JEE-002/01:53:54.000	
Duration	00000024:00:0		000/00:24:16.000		000/00:24:16.000	
Top Label	G7EUEECLPS02-					
Bottom Label	c(real-time)					
Plot Key	UVS	Type	SCI			
CDS Bytes	130	Report Options	BOTH	Scan Platform	Yes	
CDS Source	OAP	Spin State	DUAL	DMS	No	
<b>Observation Objective</b>						
<p>Real-time Europa Eclipse observation. Characterize the change in the lower atmospheric UV airglow emissions as Europa enters and exits eclipse. Determine if the source of the change is due to: 1) a change in the lower atmospheric composition as it cools (ie. SO2 condensation); or 2) a potential change in the excitation mechanism if solar photoexcitation is dominant over particle impact.</p> <p>G7EUEECLPS02- = Europa eclipse post-ingress measurement. 1 scan-platform drift across Europa in real-time (23 RIM 3-sigma drift rate) just after the satellite enters Jupiter's eclipse.</p> <p>UVS Configuration = F/G Full Scans</p>						
<b>Design Detail</b>						
CDS RIM Command Parameters				PSID		
28 002+UVFLUSH DISCRD, UVS				(CC)		
36 004 TARGET (4 RIM Posn_slew)				(CB)		
38 003 CMDRS				(CB)		
004 1 34UVS, 07, S, N, N, N, S, 0,	ON, OFF, ON, ON, OFF, NOOVR, 1, 00, 90, 01, 2C					
027 24 34UVS, C1, F, N, N, N, S, 0, OFF, OFF,	ON, OFF, OFF, NOOVR, 1, 2C, 05, 00, 00					
28 032+UVFLUSH PACKET, UVS				(CD)		

*20,90,0000 ✓*

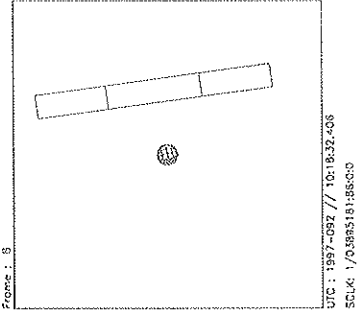
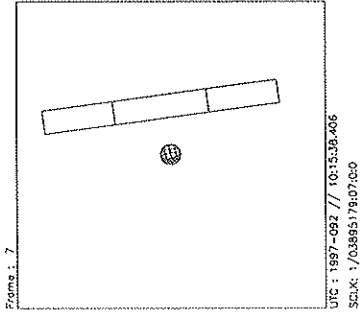
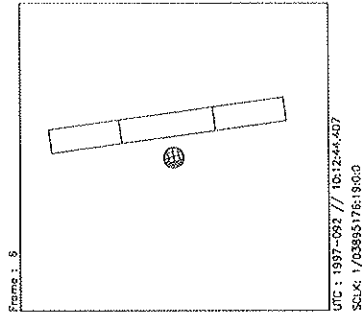
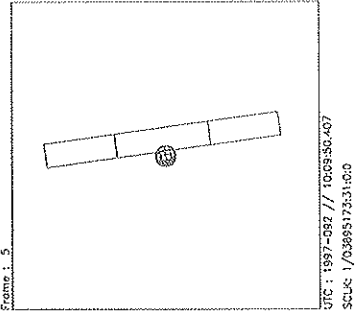
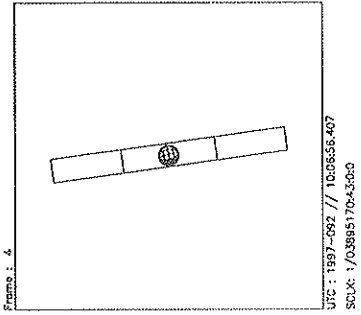
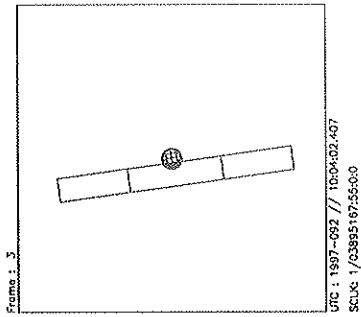
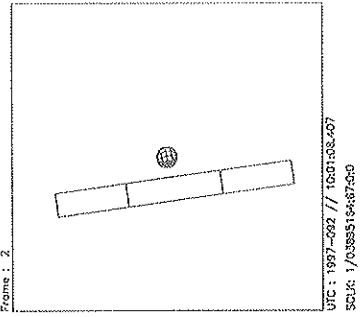
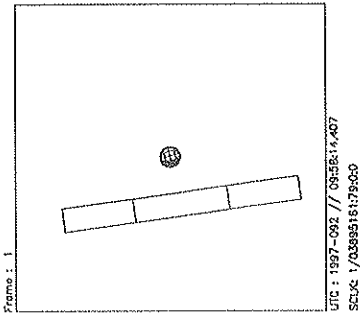
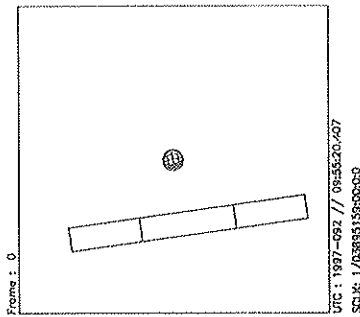
*Comment your RIM VES*



Start UTC\_TIME : 1997-092 // 08:47:35.743  
No End Time :  
Start SCLK : 1/03895092:00:00

Target Body : EUROPA  
Target Cone/Clock : 102.53 / 95.16 Deg  
S/C to Body Center : 2167607. Km ( 1385.1803 R<sub>0</sub> )  
Z-axis Pointing ( Rg / Dec ) : 156.90 / 15.10 Deg

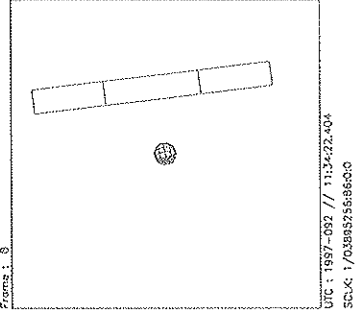
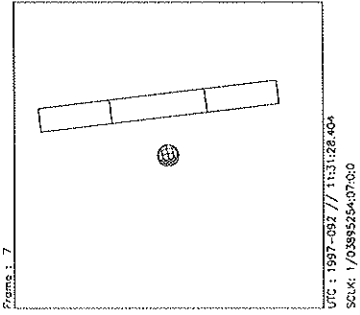
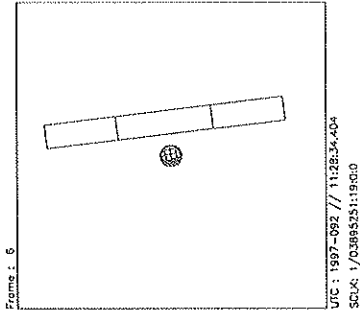
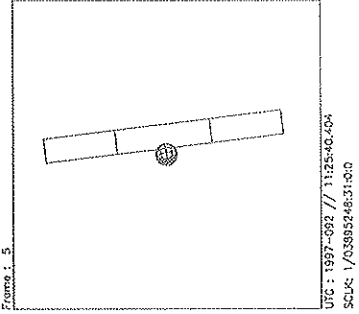
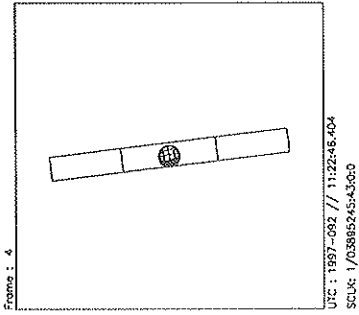
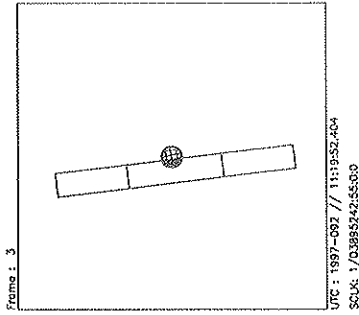
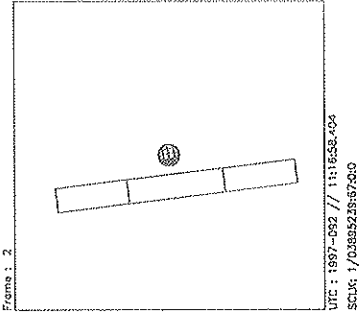
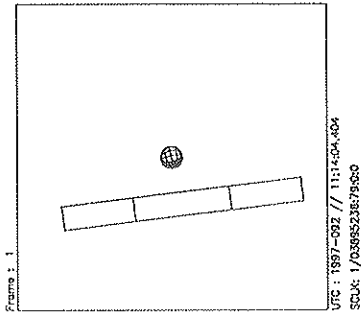
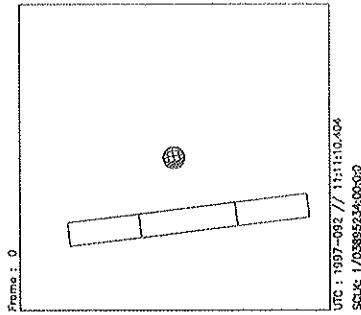
Activity ID: Orbit G7		OAPEL EUEURDRK		SeqNo 01-															
Title		UVS EUROPA ECLIPSE (N-Channel Dark Obs.)		Instrument UVS															
Requestor		UVS-SWG/K.NAVIAUX 37740		Team UVS															
				Working Group SWG															
Time System CDS		Load ID		Calendar Date 04/02/97															
				Week 14															
Start		JEE-CDS 00002912:00:0		97-092/09:59:27.067															
				JEE-002/01:04:21.333															
End		JEE-CDS 00002888:00:0		97-092/10:23:43.067															
				JEE-002/00:40:05.333															
Duration		00000024:00:0		000/00:24:16.000															
				000/00:24:16.000															
Top Label		G7EUEURDRK01-																	
Bottom Label		(real-time)																	
Plot Key		UVS		Type SCI															
CDS Bytes		130		Report Options BOTH															
				Scan Platform Yes															
CDS Source		OAP		Spin State DUAL															
				DMS No															
<b>Observation Objective</b>																			
<div style="border: 1px solid black; width: 150px; height: 100px; display: inline-block; vertical-align: top; margin-right: 10px;"></div> <p>UVS real-time Europa Eclipse observation. Obtain UVS N-Channel data (2800-4300 Å) while Europa is being eclipsed by Jupiter. Data will be used to characterize the lower atmospheric UV airglow emissions of Europa while in eclipse.</p> <p>G7EUEURDRK01- = Io eclipse measurement. 1 scan-platform drift across Europa in real-time (23 RIM 3-sigma drift rate) using the UVS 10 bps RTS rate. The drift will include 23 RIMS HV On / 7 RIMS HV Off for PWS time sharing.</p> <p>UVS Configuration = N-Channel Full Scans</p>																			
<b>Design Detail</b>																			
<table border="0"> <thead> <tr> <th>CDS RIM Command Parameters</th> <th>Psid</th> </tr> </thead> <tbody> <tr> <td>28 002+UVFLUSH DISCRD,UVS</td> <td>(CE)</td> </tr> <tr> <td>36 004 TARGET (4 RIM Posn_Slew)</td> <td>(CC)</td> </tr> <tr> <td>38 003 CMDRS</td> <td>(CC)</td> </tr> <tr> <td>004 1 34UVS,07,S,N,N,N,S,0</td> <td>ON,OFF, ON, ON,OFF,NOOVR,1,00,9C,01,2C</td> </tr> <tr> <td>027 24 34UVS,C1,F,N,N,N,S,0</td> <td>OFF,OFF, ON,OFF,OFF,NOOVR,1,2C,05,00,00</td> </tr> <tr> <td>28 032+UVFLUSH PACKET,UVS</td> <td>(CF)</td> </tr> </tbody> </table> <p style="text-align: right; margin-right: 50px;"><i>Some extra PWS</i></p> <p style="text-align: center;"><i>OK</i></p> <p style="margin-top: 20px;"><i>As sequence:</i> 07,S,N,N,N,S,0,OFF,ON,OFF,ON,OFF,NOOVR,1,2C,9D,0,0</p>						CDS RIM Command Parameters	Psid	28 002+UVFLUSH DISCRD,UVS	(CE)	36 004 TARGET (4 RIM Posn_Slew)	(CC)	38 003 CMDRS	(CC)	004 1 34UVS,07,S,N,N,N,S,0	ON,OFF, ON, ON,OFF,NOOVR,1,00,9C,01,2C	027 24 34UVS,C1,F,N,N,N,S,0	OFF,OFF, ON,OFF,OFF,NOOVR,1,2C,05,00,00	28 032+UVFLUSH PACKET,UVS	(CF)
CDS RIM Command Parameters	Psid																		
28 002+UVFLUSH DISCRD,UVS	(CE)																		
36 004 TARGET (4 RIM Posn_Slew)	(CC)																		
38 003 CMDRS	(CC)																		
004 1 34UVS,07,S,N,N,N,S,0	ON,OFF, ON, ON,OFF,NOOVR,1,00,9C,01,2C																		
027 24 34UVS,C1,F,N,N,N,S,0	OFF,OFF, ON,OFF,OFF,NOOVR,1,2C,05,00,00																		
28 032+UVFLUSH PACKET,UVS	(CF)																		



Start UTC TIME : 1997-092 // 09:55:20.407  
No End Time :  
Start SCLK : 1/03895159:00:0

Target Body : EUROPA  
Target Cone/Clock : 104.13 / 95.11 Deg  
S/C to Body Center : 2097127. Km ( 1340.0174 Re.)  
Z-axis Pointing ( Ro / Dec ) : 156.90 / 15.10 Deg

Activity ID:	Orbit G7	OAPEL EUEECLPS	SeqNo	03-
Title	UVS EUROPA ECLIPSE (BEFORE-EGRESS)		Instrument	UVS
Requestor	UVS-SWG/K.NAVIAUX 37740	Team	UVS	Working Group
Time System	CDS	Load ID	Calendar Date	04/02/97
			Week	14
Start	JEE-CDS 00002838:00:0	97-092/11:14:16.400	JEE-001/23:49:32.000	
End	JEE-CDS 00002818:00:0	97-092/11:34:29.734	JEE-001/23:29:18.666	
Duration	00000020:00:0	000/00:20:13.334	000/00:20:13.334	
Top Label	G7EUEECLPS03-			
Bottom Label	(real-time)			
Plot Key	UVS	Type	SCI	
CDS Bytes	130	Report Options	BOTH	Scan Platform
				Yes
CDS Source	OAP	Spin State	DUAL	DMS
				No
<b>Observation Objective</b>				
<p>Real-time Europa Eclipse observation. Characterize the change in the lower atmospheric UV airglow emissions as Europa enters and exits eclipse. Determine if the source of the change is due to: 1) a change in the lower atmospheric composition as it cools (ie. SO2 condensation); or 2) a potential change in the excitation mechanism if solar photoexcitation is dominant over particle impact.</p> <p>G7EUEECLPS03- = Europa eclipse before egress measurement. 1 scan-platform drift across Europa in real-time (23 RIM 3-sigma drift rate) just prior to the satellite exiting Jupiter's eclipse using the UVS 10bps RTS rate. Only 1 drift will be done prior to eclipse egress due to PWS time sharing. The drift will include 23 RIMS HV On / 7 RIMS HV Off for PWS time sharing.</p> <p>UVS Configuration = F/G Full Scans</p>				
<b>Design Detail</b>				
CDS RIM Command Parameters				PSID
28 002+UVFLUSH DISCRD, UVS				(CG)
36 004 TARGET (4 RIM Posn_slew)				(CD)
38 009 CMDRS				(CD)
010 1 34UVS, 07, S, N, N, N, S, 0, ON, OFF, ON, ON, OFF, NOOVR, 1, 00, 9C, 01, 2C				✓
033 24 34UVS, C1, F, N, N, N, S, 0, OFF, OFF, ON, OFF, OFF, NOOVR, 1, 2C, 05, 00, 00				✓
28 032+UVFLUSH PACKET, UVS				(CH)
<p>07, S, N, N, N, S, 0, OFF, ON, OFF, ON, OFF, NOOVR, 1, 2C, 9D, 0, 0</p> <p>yes</p>				

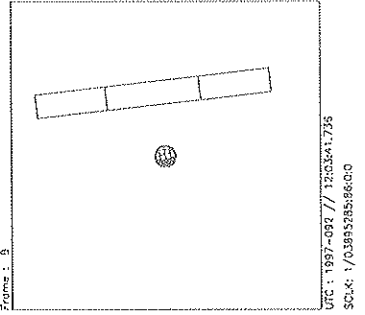
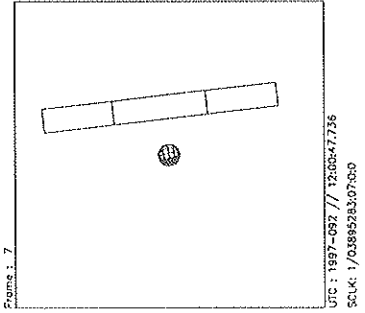
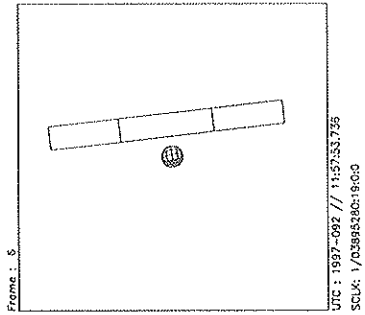
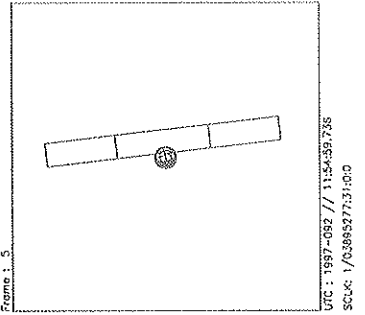
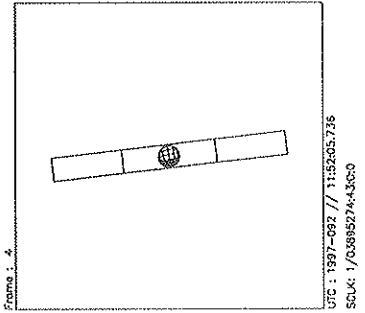
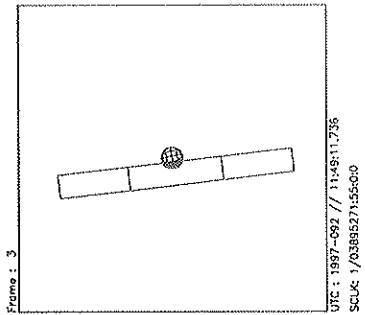
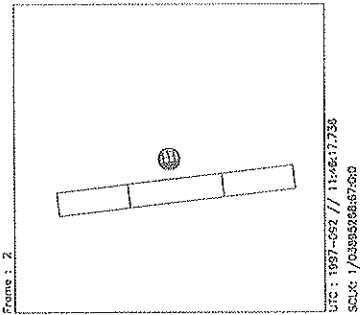
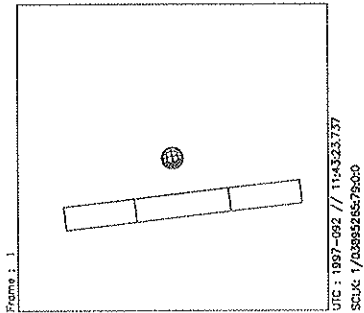
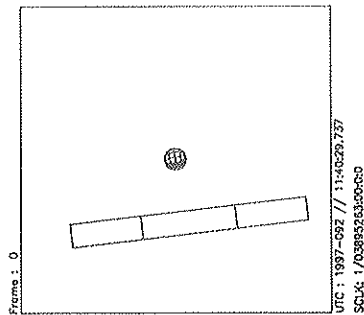


Start UTC\_TIME : 1997-092 // 11:11:10.404  
No. End Time :  
Start SCLK : 1/03895234:00:00

Target Body : EUROPA  
Target Cone/Clock : 105.92 / 95.05 Deg  
S/C to Body Center : 20:16941. Km ( 1286.7804 Re )  
Z-axis Pointing ( Rg / Dec ) : 156.90 / 15.10 Deg



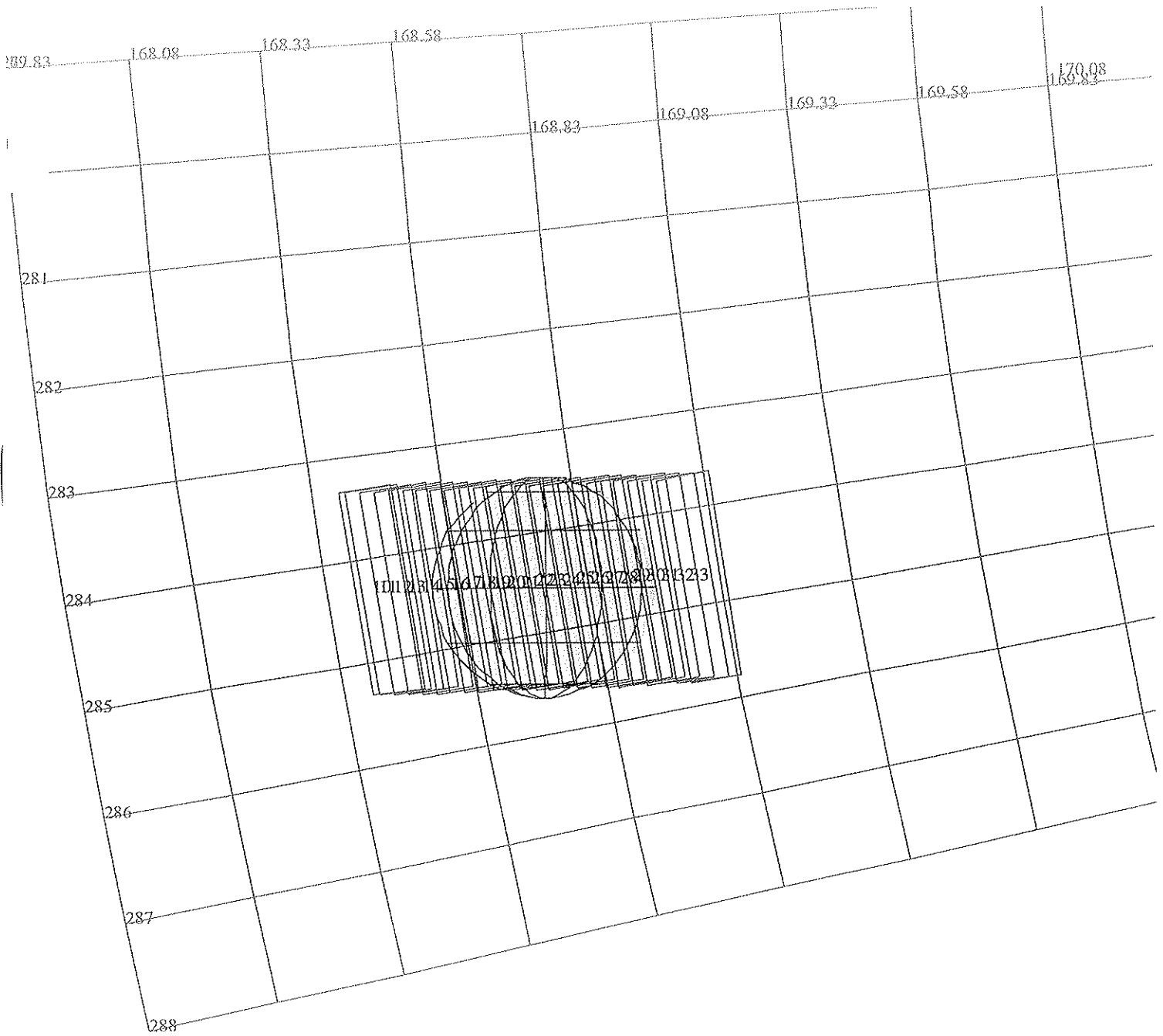
Activity ID:	Orbit G7	OAPEL	EUEECLPS	SeqNo	04-
Title	UVS EUROPA ECLIPSE (AFTER-EGRESS)			Instrument	UVS
Requestor	UVS-SWG/K.NAVIAUX 37740	Team	UVS	Working Group	SWG
Time System	CDS	Load ID	Calendar Date	04/02/97	Week 14
Start	JEE-CDS 00002816:00:0		97-092/11:36:31.067	JEE-001/23:27:17.333	
End	JEE-CDS 00002792:00:0		97-092/12:00:47.067	JEE-001/23:03:01.333	
Duration	00000024:00:0		000/00:24:16.000	000/00:24:16.000	
Top Label	G7EUEECLPS04-				
Bottom Label	(real-time)				
Plot Key	UVS	Type	SCI		
CDS Bytes	130	Report Options	BOTH	Scan Platform	Yes
CDS Source	OAP	Spin State	DUAL	DMS	No
<b>Observation Objective</b>					
<p>Real-time Europa Eclipse observation. Characterize the change in the lower atmospheric UV airglow emissions as Europa enters and exits eclipse. Determine if the source of the change is due to: 1) a change in the lower atmospheric composition as it cools (ie. SO2 condensation); or 2) a potential change in the excitation mechanism if solar photoexcitation is dominant over particle impact.</p> <p>G7EUEECLPS04- = Europa eclipse after egress measurement. 1 scan-platform drift across Europa in real-time (23 RIM 3-sigma drift rate) just after the satellite exits Jupiter's eclipse using the UVS 10bps RTS rate. Only 1 drift will be done after to eclipse egress due to PWS time sharing. The drift will include 23 RIMs HV On / 7 RIMs HV Off for PWS time sharing.</p> <p>UVS Configuration = F/G Full Scans</p>					
<b>Design Detail</b>					
CDS RIM Command Parameters				PSID	
28 002+UVFLUSH DISCRD,UVS				(CI)	
36 004 TARGET (4 RIM Posn_slew)				(CE)	
38 003 CMDRS				(CE)	
004 1 34UVS,07,S,N,N,N,S,0, ON,OFF,ON,ON,OFF,NOOVR,1,00,9C,01,2C					
027 24 34UVS,C1,F,N,N,N,S,0, OFF,OFF,ON,OFF,OFF,NOOVR,1,2C,05,00,00					
28 032+UVFLUSH PACKET,UVS				(CJ)	
<p><i>Handwritten notes:</i></p> <p>34UVS,07,S,N,N,N,S,0, ON,OFF,ON,ON,OFF,NOOVR,1,00,9C,01,2C</p> <p>00, 9C, 01, 2C</p> <p>same as edge of</p> <p>yes</p> <p>from RIM 17 KES</p>					



Start UTC\_TIME : 1997-092 // 11:40:29.737  
No End Time :  
Start SCLK : 1/03895263:00:0:0

Target Body : EUROPA  
Target Cone/Clock : 106.61 / 95.03 Deg  
S/C to Body Center : 1955662. Km ( 1266.6063 Re )  
Z-axis Pointing ( Rg / Dec ) : 136.90 / 15.10 Deg

Activity ID: Orbit G7		OAPEL CUGLOBAL		SeqNo 01+	
Title	UVS R/A W/ NIMS CALLISTO GLOBAL			Instrument	UVS
Requestor	UVS-SWG/K.NAVIAUX 37740	Team	UVS	Working Group	SWG
Time System	CDS	Load ID	G7A	Calendar Date	04/02/97 Week 14
Start	CEE+CDS 00000112:00:0		97-092/18:44:13.132		CEE+000/01:53:14.666
End	CEE+CDS 00000120:00:0		97-092/18:52:18.466		CEE+000/02:01:20.000
Duration	00000008:00:0		000/00:08:05.334		000/00:08:05.334
Top Label	G7CUGLOBAL01+				
Bottom Label	(recorded)				
Plot Key	UVS	Type	SCI		
CDS Bytes	38	Report Options	BOTH	Scan Platform	No
CDS Source	OAP	Spin State	ALL	DMS	No
<b>Observation Objective</b>					
<p>Ride-along with the NIMS Callisto Global observation to observe Callisto in the 1600Å to 3200Å wavelength regions at phase angles not obtainable from the Earth. Data will supplement and complement the NIMS surface property measurements.</p> <p>1 RECORDED scan-platform slew across Callisto at ~20° phase (~135-340 longitude). Playback will require [(cgs 04:00:0)*(1008 bps)] = 0.25 Mbits of UVS data.</p> <p>UVS Configuration = F/F Full Scans</p>					
<b>Design Detail</b>					
CDS RIM	Command	Parameters	PSID		
0	TARGET	(NIMS Target)	----		
0	CSMOS	(NIMS Csmos)			
0	SCIREC	(NIMS Scirec)			
38 003	CMDRS		(CP)		
004	1	34UVS,07,S,N,N,N,S,0	ON,OFF, ON, ON,OFF,NOOVR,1,00,9C,00,00		
008	5	34UVS,C1,F,N,N,N,S,0	OFF,OFF, ON,OFF,OFF,NOOVR,1,2C,05,00,00		



165DD:TT= 0 TMC= 1 C= -5.20 XC= -0.75 BS=20/3875 TC= 3  
 A= 586 pD= 0 SR=17.450 RA50=328.68 DEC50=-12.91 cone=168.45 clock=204.33  
 117DD:#SB= 1 OR= 0.020 RR=12.000 BM=F RC= 1 BS=20/3875  
 1:#s= 1 Cs= 5.70 XCs= 0.50 Cr= 0.00 XCr= 0.00 sD= 860 rD= 2

ESIGN G3.0 jaiel: 1/28/1997 15:12: 7

FILE:P.G7CNGLOBAL01

TARGET BODY : CALLISTO

INI:m.G7CNGLOBAL01

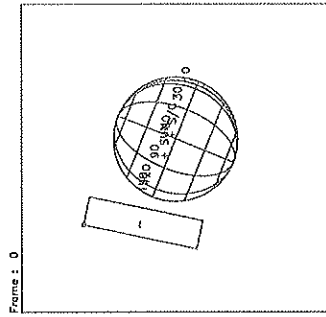
PH:/DATA/NAVIO/T-961231-TOUR.NS

ERIAPSIS:

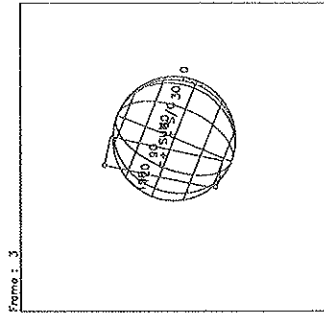
THINNING: :UVS 1

TART:CEE 97-092/16:51:59.733 +CDS 115:00:0

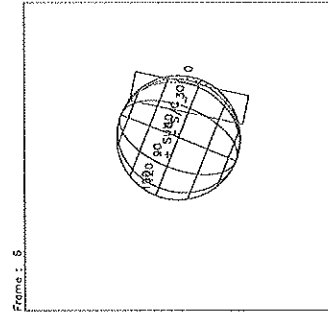
BODY PLOT TIME:TARGET-TIME D= 0 S= 0.200



UTC : 1997-092 // 18:47:11.054  
 SCLK : 1/03895685:00:00

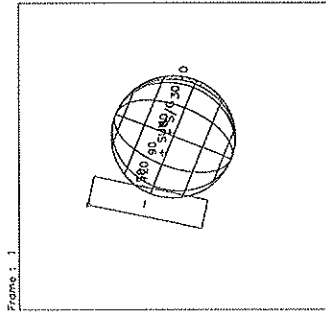


UTC : 1997-092 // 18:48:02.054  
 SCLK : 1/03895686:75:50

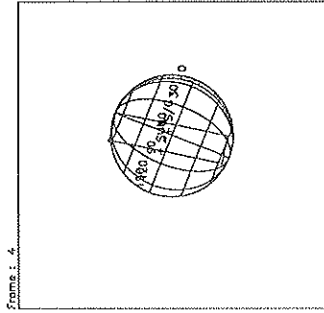


UTC : 1997-092 // 18:50:53.054  
 SCLK : 1/03895688:60:00

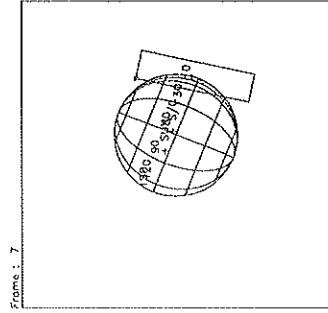
Start UTC\_TIME : 1997-092 // 18:47:11.054  
 End UTC\_TIME : 1997-092 // 18:52:14.367  
 Start SCLK : 1/03895685:00:00  
 Delta Time between FOV : 37.00000  
 FOVs : F Chennel(0.1x0.4)



UTC : 1997-092 // 18:47:48.054  
 SCLK : 1/03895685:55:50

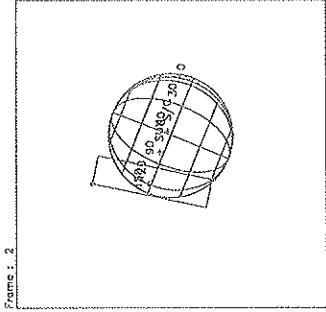


UTC : 1997-092 // 18:48:39.054  
 SCLK : 1/03895687:40:00

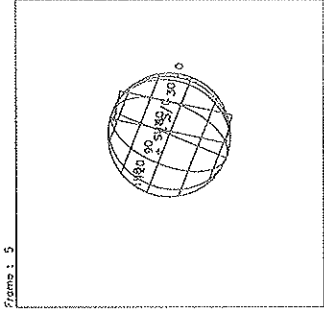


UTC : 1997-092 // 18:51:30.054  
 SCLK : 1/03895688:24:50

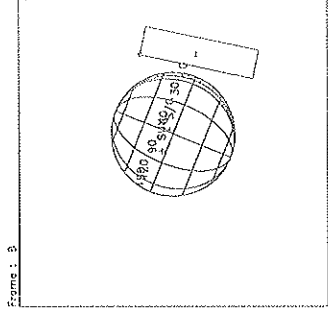
Target Body : CALLISTO  
 Target Cone/Clock : 168.75/285.19 Deg  
 S/C to Body Center : 641338.9 Km ( 256.89082 Rc )  
 Z-axis Pointing ( Rg / Dec ) : 156.90 / 15.10 Deg



UTC : 1997-092 // 18:48:25.054  
 SCLK : 1/03895686:20:00

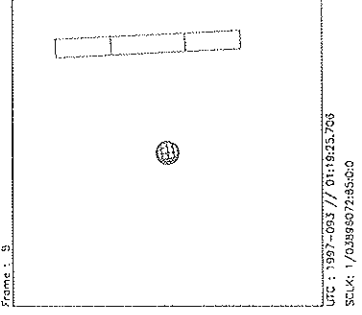
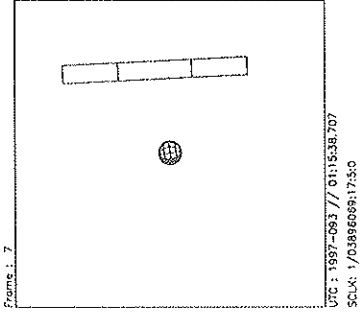
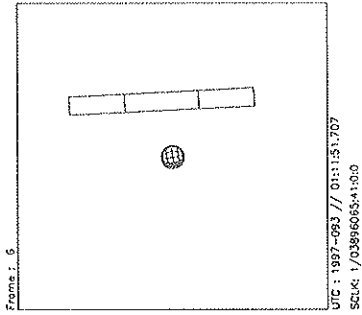
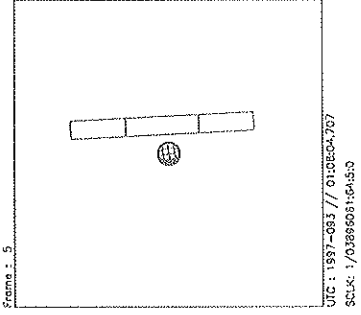
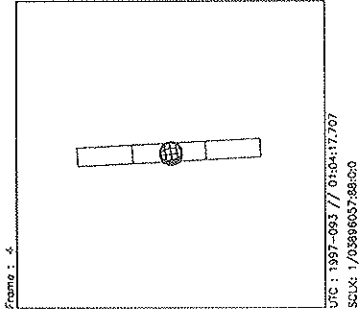
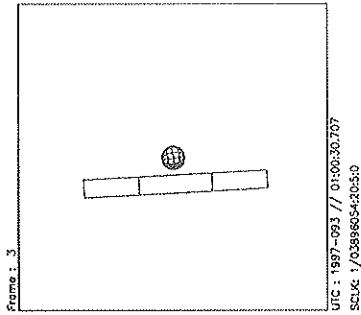
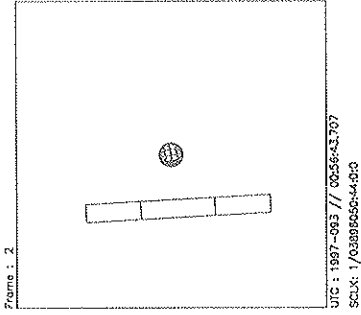
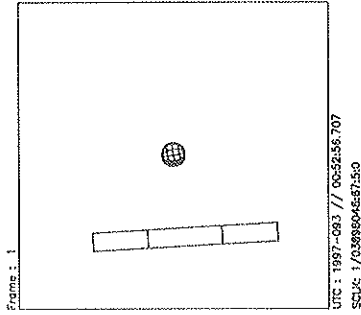
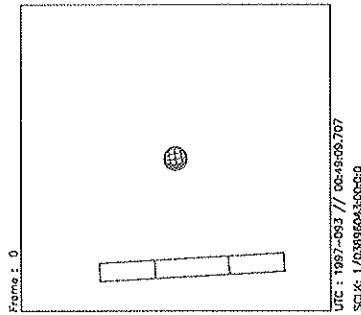


UTC : 1997-092 // 18:50:16.054  
 SCLK : 1/03895688:04:50



UTC : 1997-092 // 18:52:07.054  
 SCLK : 1/03895689:00:00

Activity ID: Orbit G7		OAPEL IUIODARK		SeqNo 01-	
Title	UVS IO ECLIPSE (N-Channel Dark Obs.)			Instrument	UVS
Requestor	UVS-SWG/K.NAVIAUX.37740	Team	UVS	Working Group	SWG
Time System	CDS	Load ID	G7A	Calendar Date	04/03/97
				Week	14
Start	JEE-CDS 00002036:00:0		97-093/00:45:11.067		JEE-001/10:18:37.333
End	JEE-CDS 00002001:00:0		97-093/01:20:34.400		JEE-001/09:43:14.000
Duration	00000035:00:0		000/00:35:23.333		000/00:35:23.333
Top Label	G7IUIODARK01-				
Bottom Label	(real-time)				
Plot Key	UVS	Type	SCI		
CDS Bytes	130	Report Options	BOTH	Scan Platform	Yes
CDS Source	OAP	Spin State	DUAL	DMS	No
<b>Observation Objective</b>					
<p>UVS real-time Io Eclipse observation. Obtain UVS N-Channel data (2800-4300 Å) while Io is being eclipsed by Jupiter. Data will be used to characterize the lower atmospheric UV airglow emissions of Io while in eclipse.</p> <p>G7IUIODARK01- = Io eclipse measurement. 1 scan-platform drift across Io in real-time (15 RIM 3-sigma drift rate) using the UVS 10 bps RTS rate. The drift will include 15 RIMs HV On / 15 RIMs HV Off for PWS time sharing.</p> <p>UVS Configuration = N-Channel Full Scans</p>					
<b>Design Detail</b>					
CDS RIM Command Parameters				Psid	
28 002+UVFLUSH DISCRD, UVS				(CM)	
36 004 TARGET (4 RIM Posn_Slew)				(CG)	
38 003 CMDRS				(CH)	
004 1	34UVS, 07, S, N, N, N, S, 0,	ON, OFF,	ON, ON, OFF, NOOVR, 1, 00, 9C, 01, 2C		
019 16	34UVS, C1, F, N, N, N, S, 0, OFF,	OFF,	ON, OFF, OFF, NOOVR, 1, 2C, 05, 00, 00		
28 032+UVFLUSH PACKET, UVS				(CN)	
<p><i>Same as Europa data, Eclipsed 02/13</i></p> <p><i>34UVS, 7, S, N, N, N, S, 0, OFF, ON, OFF, ON, OFF, NOOVR, 1, 2C, 9D, 0, 0</i></p> <p><i>June 19, 97 KCS</i></p>					



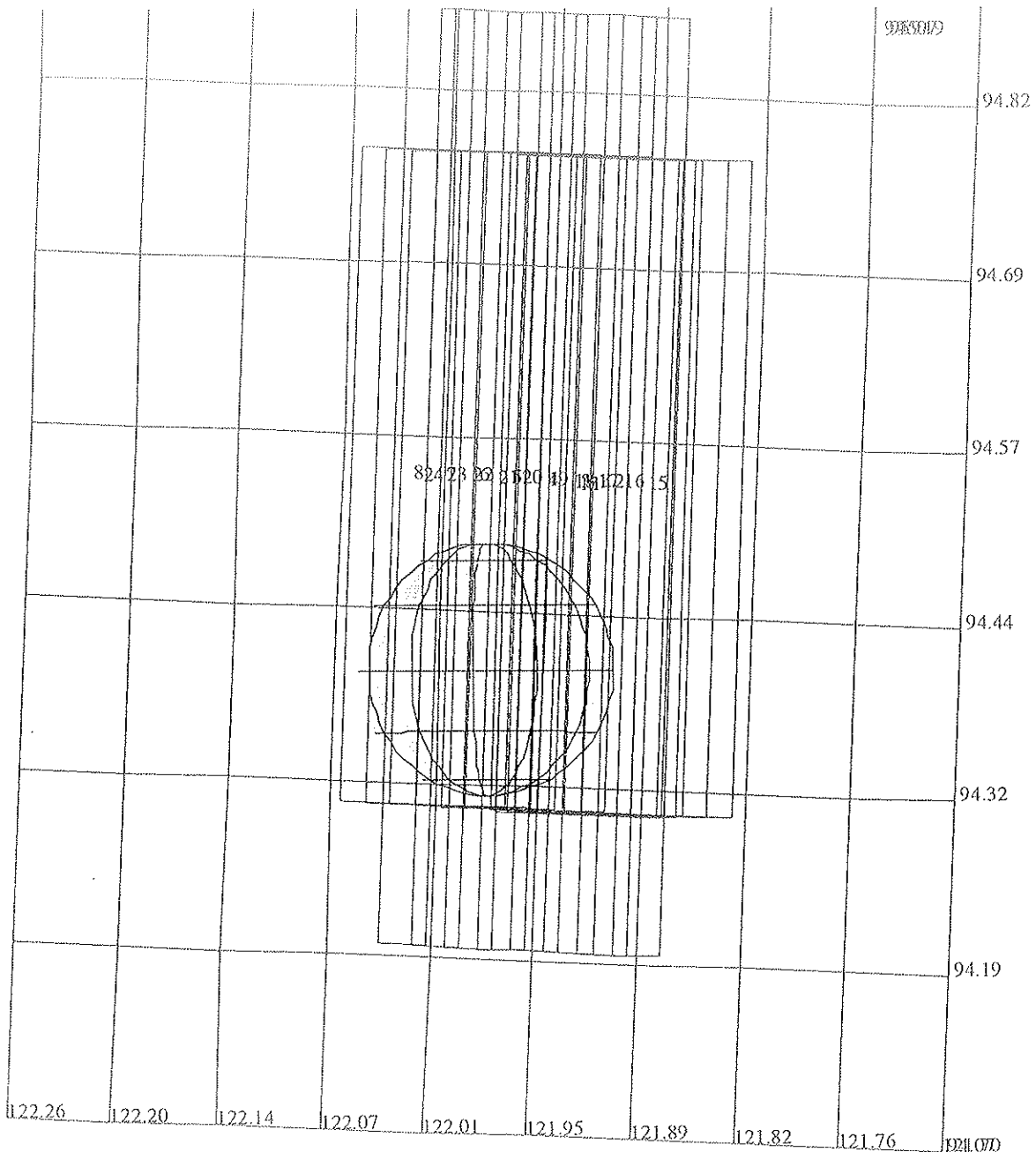
Start UTC Time : 1997-093 // 00:49:09.707  
No End Time :  
Start SCLK : 1/03896043000:0

Target Body : IO  
Target Cone/Clock : 112.36 / 94.68 Deg  
S/C to Body Center : 1690437. Km ( 926.59678 Ri )  
Z-axis Pointing ( Rc / Dec ) : 156.90 / 15.10 Deg

Activity ID: Orbit G7	OAPEL IUCHEMIS	SeqNo 01+
Title UVS R/A W/ NIMS IO CHEMIS 01		Instrument UVS
Requestor UVS-SWG/K.NAVIAUX 37740	Team UVS	Working Group SWG
Time System CDS	Load ID G7A	Calendar Date 04/03/97
		Week 14
Start IEE-CDS 00000953:00:0	97-093/05:08:00.800	IEE-000/16:03:35.333
End IEE-CDS 00000946:00:0	97-093/05:15:05.467	IEE-000/15:56:30.666
Duration 00000007:00:0	000/00:07:04.667	000/00:07:04.667
Top Label G7IUCHEMIS01+		
Bottom Label (recorded)		
Plot Key UVS	Type SCI	
CDS Bytes 38	Report Options BOTH	Scan Platform No
CDS Source OAP	Spin State ALL	DMS No
<b>Observation Objective</b>		
	Ride-along with the NIMS Io Chemis 01 observation to observe Io in the 1600Å to 3200Å wavelength regions at phase angles not obtainable from the Earth. Data will supplement and complement the NIMS surface property measurements.	
	1 RECORDED scan-platform slew across Io in real-time at ~48° phase (~13-120 longitude). Playback will require [(cds 02:00:0)*(1008 bps)] = 0.13 Mbits of UVS data.	
	UVS Configuration = F/F Full Scans	
<b>Design Detail</b>		
CDS RIM Command Parameters	PSID	
0 TARGET (NIMS Target)		
0 CSMOS (NIMS Csmos)		
0 SCIREC (NIMS Scirec)		
38 003 CMDRS (CK)		
004 1 34UVS,07,S,N,N,N,S,0, ON,OFF, ON, ON,OFF,NOOVR,1,00,9C,01,2C		
006 3 34UVS,C1,F,N,N,N,S,0,OFF,OFF, ON,OFF,OFF,NOOVR,1,2C,05,00,00		

*cc, 00 ← Yoon G.S.  
 Aug 10  
 18:00 / 15*





165DE:TT= 0 TMC= 1 C= -1.75 XC= 2.00 BS= 0/5987 TC= 3  
 A= 728 pD= 0 SR=17.450 RA50=255.53 DEC50=24.55 cone=121.88 clock= 94.54  
 117DE:#SB= 1 OR= 0.030 RR=12.000 BM=F RC= 1 BS= 0/5987  
 1:#s= 1 Cs= 3.90 XC= 0.00 Cr= 0.00 XCr= 0.00 sD= 394 rD= 2

ESIGN G3.0 jaiel: 1/28/1997 15:17: 3

FILE:P.G7INCHEMIS01

TARGET BODY : IO

INI:m.G7INCHEMIS01

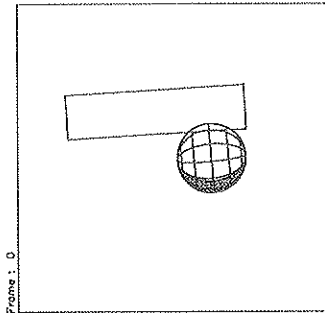
PH:/DATA/NAVIO/T-961231-TOUR.NS

ERIAPSIS:

THINNING:NIM 2 :UVS 1

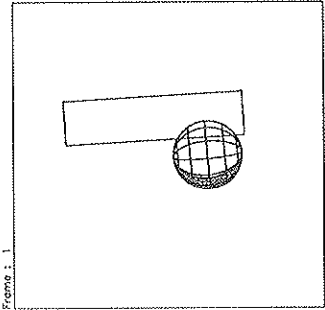
TART:IEE 97-093/21:10:39.733 -CDS 949:00:0

BODY PLOT TIME:TARGET-TIME D= 0 S= 0.200



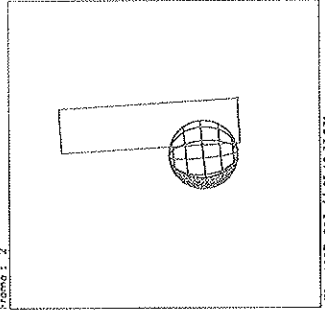
Frame : 0

UTC : 1997-093 // 05:12:03.031  
SCLK: 1/03896303:00:00



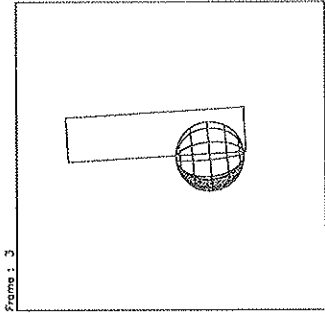
Frame : 1

UTC : 1997-093 // 05:12:18.031  
SCLK: 1/03896303:22:50



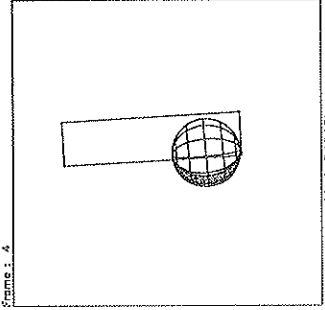
Frame : 2

UTC : 1997-093 // 05:12:33.031  
SCLK: 1/03896303:45:00



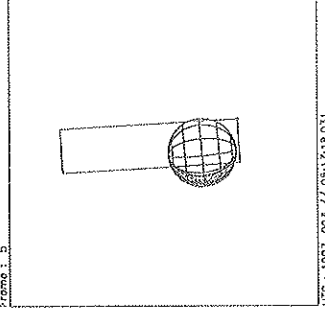
Frame : 3

UTC : 1997-093 // 05:12:48.031  
SCLK: 1/03896303:67:50



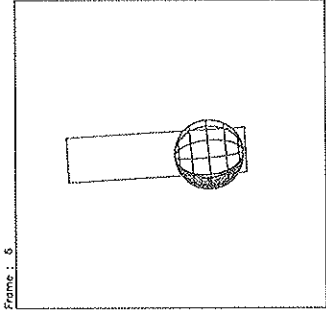
Frame : 4

UTC : 1997-093 // 05:13:03.031  
SCLK: 1/03896303:90:00



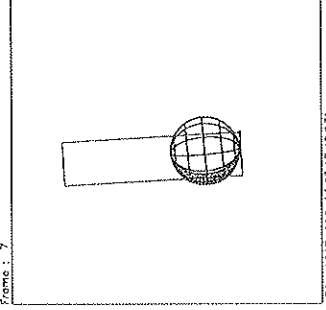
Frame : 5

UTC : 1997-093 // 05:13:18.031  
SCLK: 1/03896303:11:50



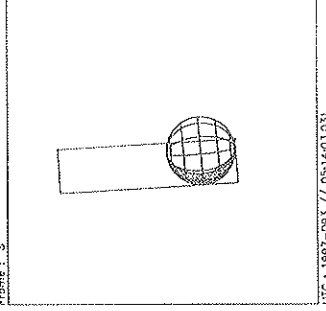
Frame : 6

UTC : 1997-093 // 05:13:33.031  
SCLK: 1/03896303:44:00



Frame : 7

UTC : 1997-093 // 05:13:48.031  
SCLK: 1/03896303:66:50



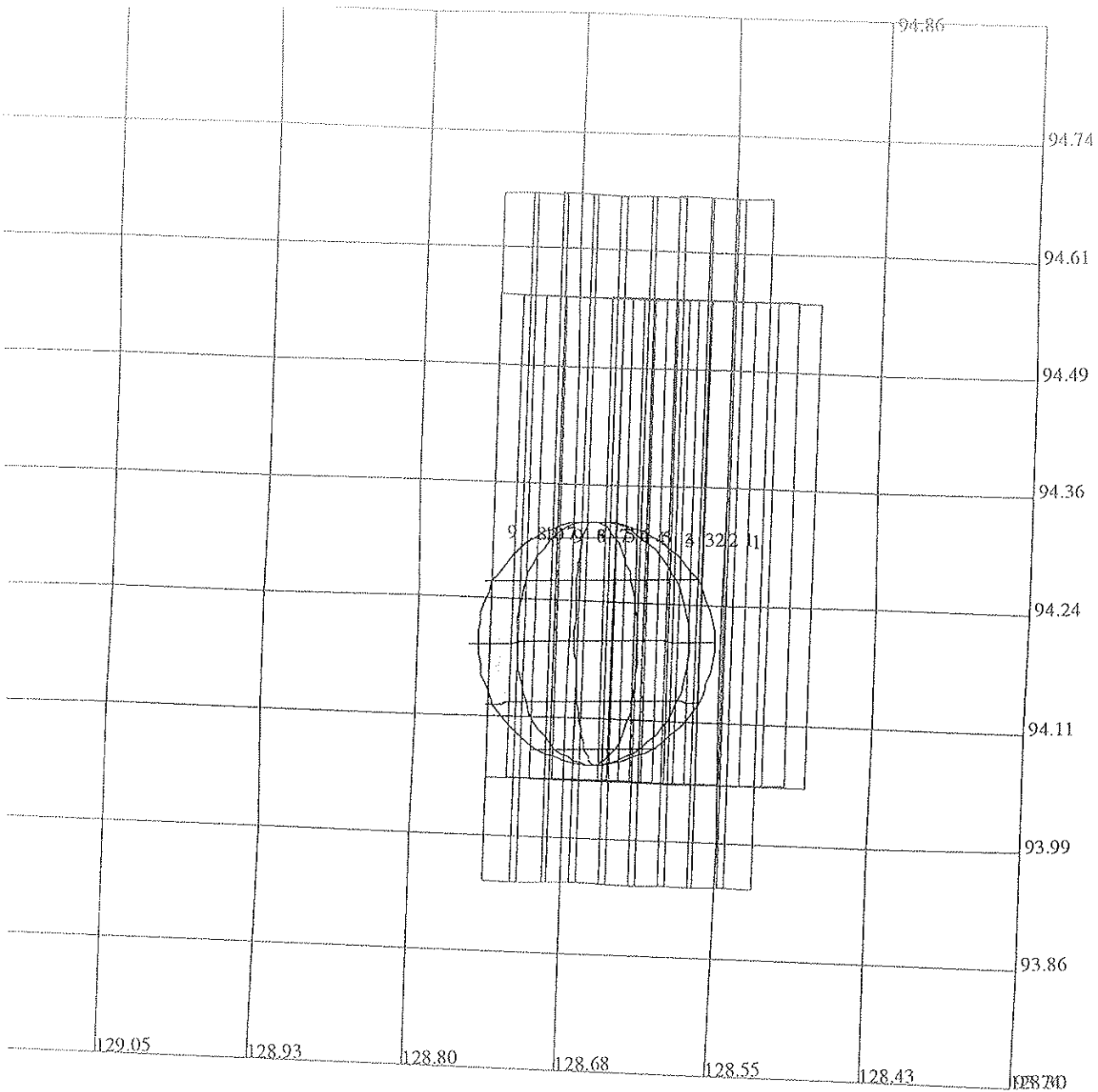
Frame : 8

UTC : 1997-093 // 05:14:03.031  
SCLK: 1/03896303:89:00

Start UTC\_TIME : 1997-093 // 05:12:03.031  
 End UTC\_TIME : 1997-093 // 05:14:04.364  
 Start SCLK : 1/03896303:00:00  
 Detic Time between FOV : 15.00000  
 FCVs : F Channel(0.1x0.4)

Target Body : IO  
 Target Cone/Clock : 122.13 / 94.31 Deg  
 S/C to Body Center : 1349446 Km ( 739.68588 Ri )  
 Z-axis Pointing ( Ra / Dec ) : 136.90 / 15.10 Deg

Activity ID: Orbit G7		OAPEL IUCHEMIS		SeqNo 02+	
Title	UVS R/A W/ NIMS IO CHEMIS 02			Instrument	UVS
Requestor	UVS-SWG/K.NAVIAUX 37740	Team	UVS	Working Group	SWG
Time System	CDS	Load ID	G7A	Calendar Date	04/03/97 Week 14
Start	IEE-CDS 00000710:00:0		97-093/09:13:42.800		IEE-000/11:57:53.333
End	IEE-CDS 00000706:00:0		97-093/09:17:45.467		IEE-000/11:53:50.666
Duration	00000004:00:0		000/00:04:02.667		000/00:04:02.667
Top Label	G7IUCHEMIS02+				
Bottom Label	(recorded)				
Plot Key	UVS	Type	SCI		
CDS Bytes	38	Report Options	BOTH	Scan Platform	No
CDS Source	OAP	Spin State	ALL	DMS	No
<b>Observation Objective</b>					
<p>Ride-along with the NIMS Io Chemis 02 observation to observe Io in the 1600Å to 3200Å wavelength regions at phase angles not obtainable from the Earth. Data will supplement and complement the NIMS surface property measurements.</p> <p>1 RECORDED scan-platform slew across Io in real-time at ~41.5° phase (~40-186 longitude). Playback will require [(cds 02:00:0)*(1008 bps)] = 0.13 Mbits of UVS data.</p> <p>UVS Configuration = F/F Full Scans</p>					
<b>Design Detail</b>					
CDS RIM	Command	Parameters	PSID		
0	TARGET	(NIMS Target)	----		
0	CSMOS	(NIMS Csmos)			
0	SCIREC	(NIMS Scirec)			
38 003	CMDRS		(CM) off	97-093/97	
004	1	34UVS,07,S,N,N,N,S,0, ON,OFF, ON, ON,OFF,NOOVR,1,00,9C,01,2C		same as 1	
006	3	34UVS,C1,F,N,N,N,S,0,OFF,OFF, ON,OFF,OFF,NOOVR,1,2C,05,00,00		chemis 1	



165DG:TT= 0 TMC= 1 C= -2.25 XC= 1.50 BS= 0/9667 TC= 3  
 A= 182 pD= 0 SR=17.450 RA50=262.84 DEC50=-24.92 cone=128.53 clock= 94.30  
 117DG:#SB= 1 OR= 0.030 RR=12.000 BM=F RC= 1 BS= 0/9667  
 1:#s= 1 Cs= 4.30 XCs= 0.00 Cr= 0.00 XCr= 0.00 sD= 434 rD= 2

ESIGN G3.0 jael: 1/28/1997 15:17:44

FILE:P.G7INCHEMIS02

TARGET BODY : IO

INI:m.G7INCHEMIS02

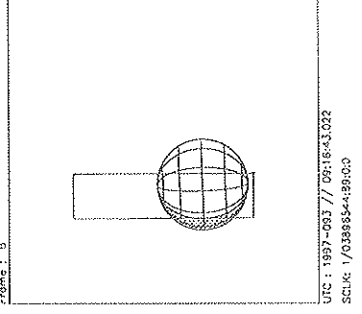
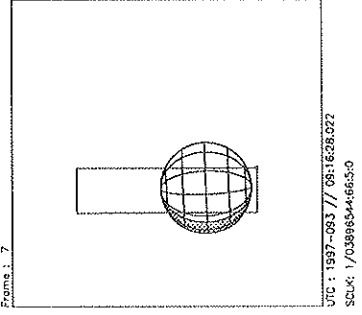
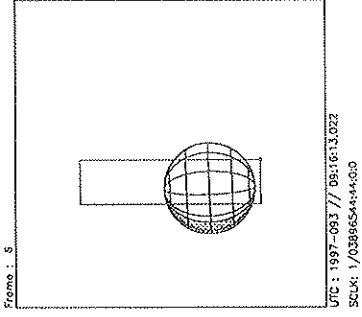
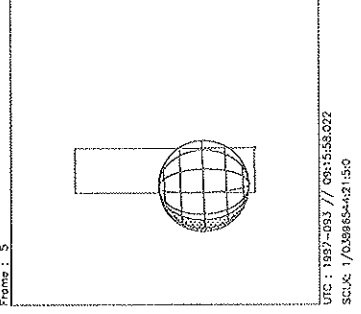
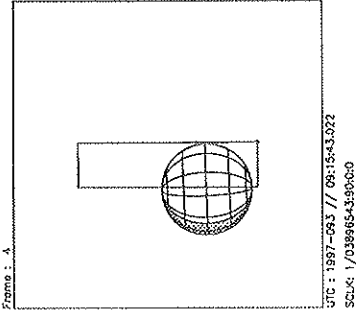
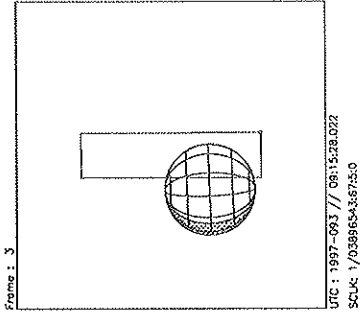
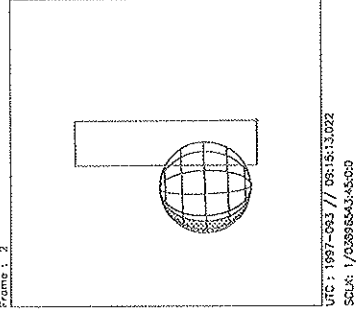
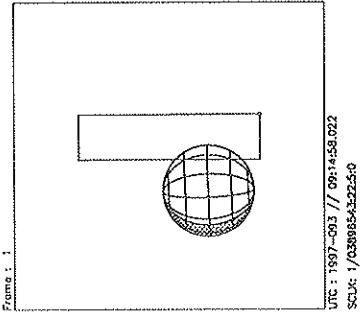
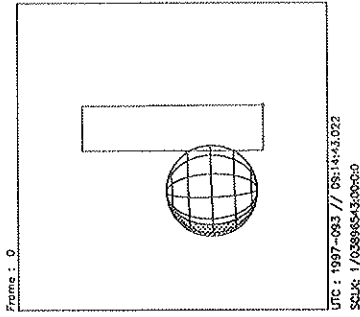
PH:/DATA/NAVIO/T-970109-TOUR.NS

ERIAPSIS:

THINNING:NIM 2 :UVS 1

TART:IEE 97-093/21:10:39.733 -CDS 709:00:0

BODY PLOT TIME:TARGET-TIME D= 0 S= 0.200

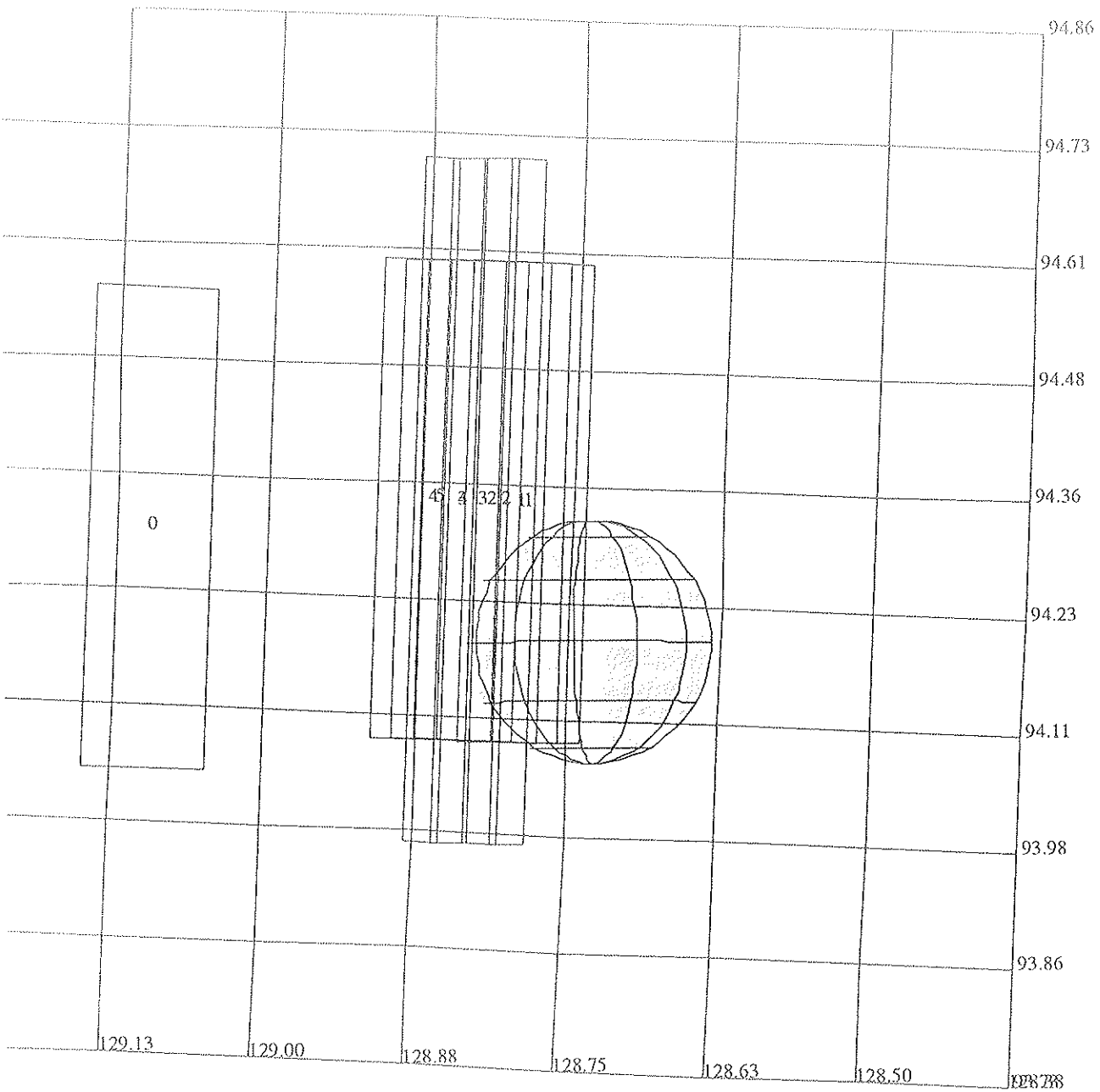


Start UTC\_TIME : 1997-093 // 09:14:43.022  
 End UTC\_TIME : 1997-093 // 09:16:44.355  
 Start SCUK : 1/038965430000  
 Delta Time between FOV : 15.00000  
 FOVs : F Channel(0.1x0.4)

Target Body : IO  
 Target Cone/Clock : 128.75 / 94.09 Deg  
 S/C to Body Center : 1029044. Km ( 564.06050 Ri )  
 Z-axis Pointing ( Rg / Dec ) : 156.90 / 15.10 Deg

<b>Activity ID:</b> Orbit G7		<b>OAPEL</b> IUTHRMAL		<b>SeqNo</b> 02+	
<b>Title</b>		UVS R/A W/ NIMS IO THERMAL 02		<b>Instrument</b> UVS	
<b>Requestor</b>		UVS-SWG/K.NAVIAUX 37740		<b>Team</b> UVS	
				<b>Working Group</b> SWG	
<b>Time System</b> CDS		<b>Load ID</b> G7A		<b>Calendar Date</b> 04/03/97	
				<b>Week</b> 14	
<b>Start</b>		IEE-CDS 00000706:00:0		97-093/09:17:45.467	
				IEE-000/11:53:50.666	
<b>End</b>		IEE-CDS 00000703:00:0		97-093/09:20:47.467	
				IEE-000/11:50:48.666	
<b>Duration</b>		00000003:00:0		000/00:03:02.000	
				000/00:03:02.000	
<b>Top Label</b>		G7IUTHRMAL02+			
<b>Bottom Label</b>		(recorded)			
<b>Plot Key</b>		UVS		<b>Type</b> SCI	
<b>CDS Bytes</b>		38		<b>Report Options</b> BOTH	
				<b>Scan Platform</b> No	
<b>CDS Source</b>		OAP		<b>Spin State</b> ALL	
				<b>DMS</b> No	
<b>Observation Objective</b>					
<div style="border: 1px solid black; width: 200px; height: 150px; display: inline-block; vertical-align: top; margin-right: 10px;"></div> <p>Ride-along with the NIMS Io Thermal 02 observation to observe Io in the 1600Å to 3200Å wavelength regions at phase angles not obtainable from the Earth. Data will supplement and complement the NIMS surface property measurements.</p> <p>1 RECORDED scan-platform slew across Io in real-time at ~41° phase (~146-177 longitude). Playback will require [(cds 01:00:0)*(1008 bps)] = 0.06 Mbits of UVS data.</p> <p>UVS Configuration = F/F Full Scans</p>					
<b>Design Detail</b>					
CDS RIM Command Parameters				PSID	
-----				----	
0		TARGET	(NIMS Target)		
0		CSMOS	(NIMS Csmos)		
0		SCIREC	(NIMS Scirec)		
38	003	CMDRS		(CN)	<i>ff</i>
	004	1	34UVS,07,S,N,N,N,S,0,	ON,OFF,	<del>ON</del> , ON,OFF,NOOVR,1,00,9C,01,2C
	005	2	34UVS,C1,F,N,N,N,S,0,	OFF,OFF,	ON,OFF,OFF,NOOVR,1,2C,05,00,00

*corrected  
req'd  
June 18, 07  
KES*



165DH:TT= 0 TMC= 1 C= 1.00 XC= 2.00 BS= 0/0395 TC= 3  
 A= 182 pD= 0 SR=17.450 RA50=263.13 DEC50=-24.89 cone=128.79 clock= 94.34  
 117DH:#SB= 1 OR= 0.030 RR=12.000 BM=F RC= 1 BS= 0/0395  
 1:#s= 1 Cs= 2.00 XCs= 0.00 Cr= 0.00 XCr= 0.00 sD= 204 rD= 2

ESIGN G3.0 jael: 1/28/1997 15:19: 6

FILE:P.G7INTHRMAL02

TARGET BODY : IO

INI:m.G7INTHRMAL02

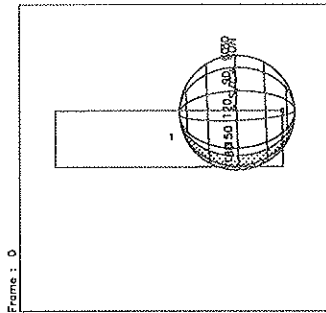
PH:/DATA/NAVIO/T-970109-TOUR.NS

ERIAPSIS:

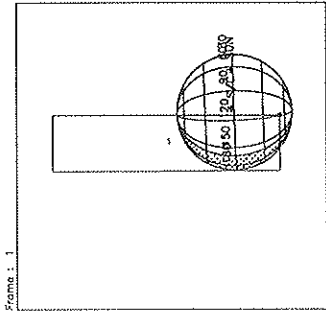
THINNING:NIM 2 :UVS 1

TART:IEE 97-093/21:10:39.733 -CDS 705:00:0

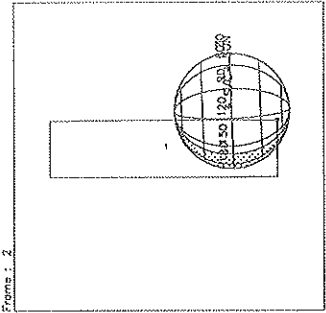
BODY PLOT TIME:TARGET-TIME D= 0 S= 0.200



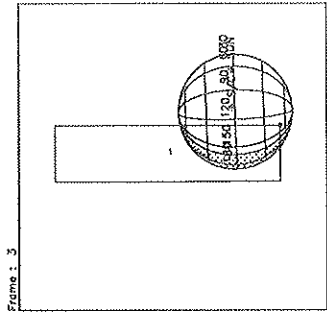
Start UTC\_TIME : 1997-093 // 09:18:45.689  
 End UTC\_TIME : 1997-093 // 09:19:46.355  
 Start SCLK : 1/03896547:000:0:0  
 Delta Time between FOV : 7.000000  
 FOVs : F Channel(0.1x0.4)



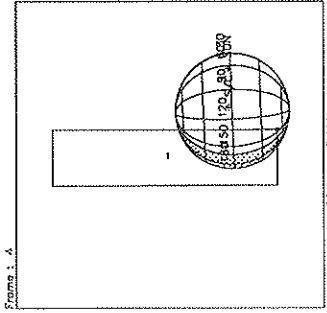
Target Body : 10  
 Target Cone/Clock : 128.82 / 94.08 Deg  
 S/C to Body Center : 1023936. Km ( .561.26047 Ri )  
 Z-axis Pointing ( Ro / Dec ) : 135.90 / -15.10-Deg



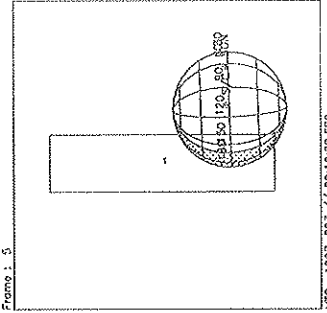
Target Body : 10  
 Target Cone/Clock : 128.82 / 94.08 Deg  
 S/C to Body Center : 1023936. Km ( .561.26047 Ri )  
 Z-axis Pointing ( Ro / Dec ) : 135.90 / -15.10-Deg



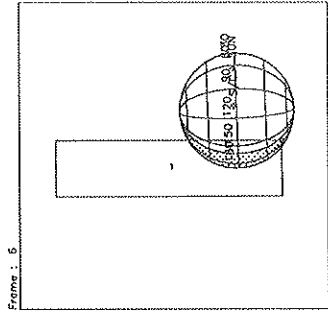
Target Body : 10  
 Target Cone/Clock : 128.82 / 94.08 Deg  
 S/C to Body Center : 1023936. Km ( .561.26047 Ri )  
 Z-axis Pointing ( Ro / Dec ) : 135.90 / -15.10-Deg



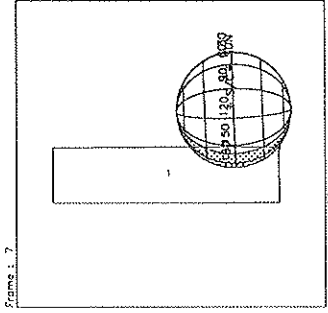
Target Body : 10  
 Target Cone/Clock : 128.82 / 94.08 Deg  
 S/C to Body Center : 1023936. Km ( .561.26047 Ri )  
 Z-axis Pointing ( Ro / Dec ) : 135.90 / -15.10-Deg



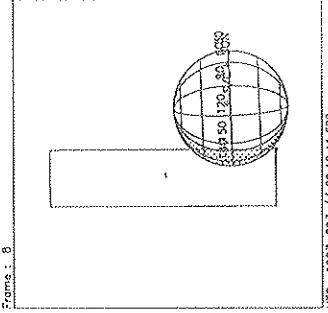
Target Body : 10  
 Target Cone/Clock : 128.82 / 94.08 Deg  
 S/C to Body Center : 1023936. Km ( .561.26047 Ri )  
 Z-axis Pointing ( Ro / Dec ) : 135.90 / -15.10-Deg



Target Body : 10  
 Target Cone/Clock : 128.82 / 94.08 Deg  
 S/C to Body Center : 1023936. Km ( .561.26047 Ri )  
 Z-axis Pointing ( Ro / Dec ) : 135.90 / -15.10-Deg



Target Body : 10  
 Target Cone/Clock : 128.82 / 94.08 Deg  
 S/C to Body Center : 1023936. Km ( .561.26047 Ri )  
 Z-axis Pointing ( Ro / Dec ) : 135.90 / -15.10-Deg



Target Body : 10  
 Target Cone/Clock : 128.82 / 94.08 Deg  
 S/C to Body Center : 1023936. Km ( .561.26047 Ri )  
 Z-axis Pointing ( Ro / Dec ) : 135.90 / -15.10-Deg

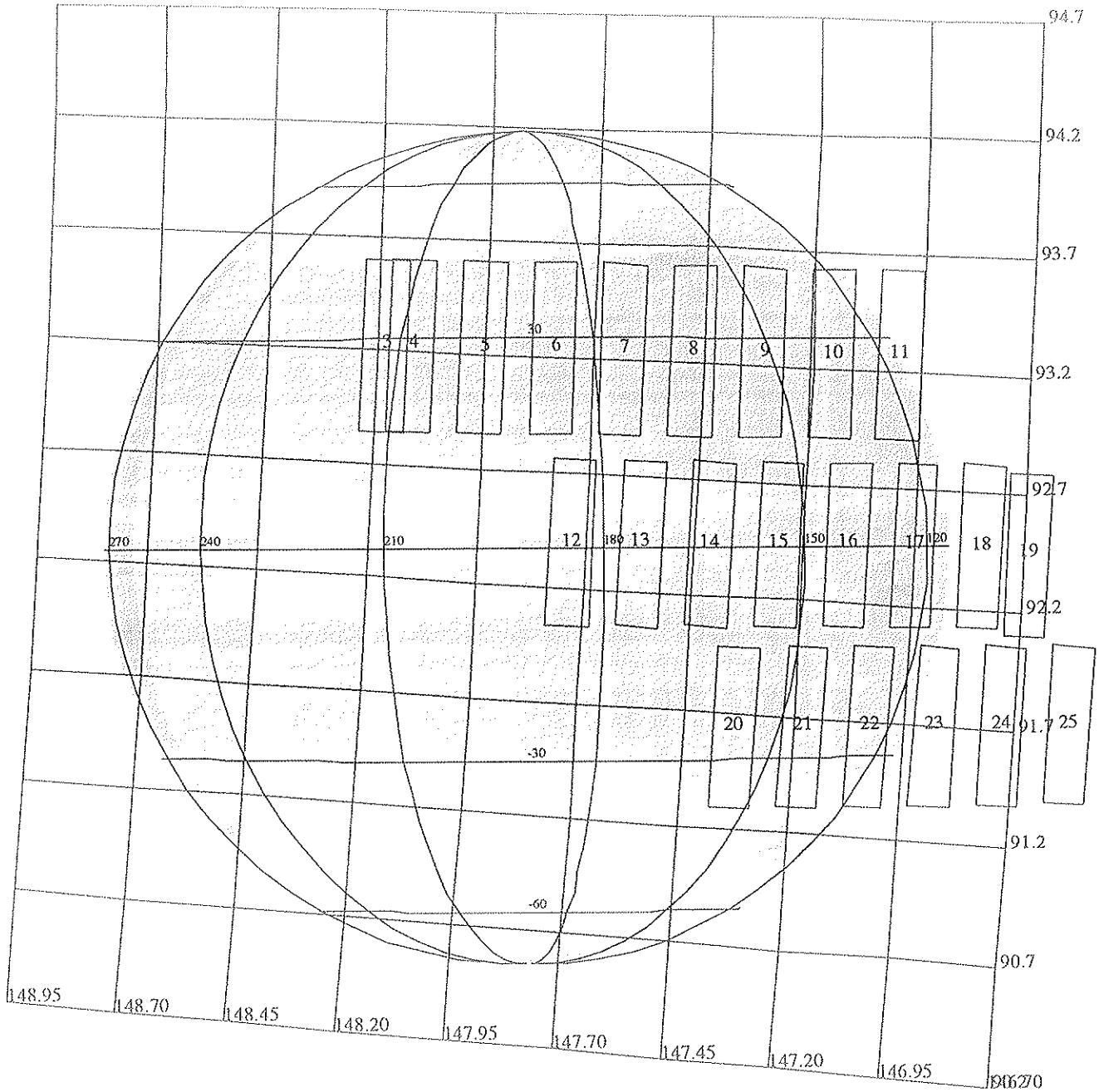
Start UTC\_TIME : 1997-093 // 09:18:45.689  
 End UTC\_TIME : 1997-093 // 09:19:46.355  
 Start SCLK : 1/03896547:000:0:0  
 Delta Time between FOV : 7.000000  
 FOVs : F Channel(0.1x0.4)

Target Body : 10  
 Target Cone/Clock : 128.82 / 94.08 Deg  
 S/C to Body Center : 1023936. Km ( .561.26047 Ri )  
 Z-axis Pointing ( Ro / Dec ) : 135.90 / -15.10-Deg



Activity ID:	Orbit G7	OAPEL	EUFLEXUS	SeqNo	01+
Title	EUROPA GLOBAL MOSAIC CAMPAIGN			Instrument	UVS
Requestor	UVS-SWG/J. AIELLO X37737	Team	UVS	Working Group	SWG
Time System	CDS	Load ID	Calendar Date	04/04/97	Week 14
Start	EEE-CDS 00000240:00:0	97-094/01:55:47.066	EEE-000/04:02:40.000		
End	EEE-CDS 00000213:00:0	97-094/02:23:05.066	EEE-000/03:35:22.000		
Duration	00000027:00:0	000/00:27:18.000	000/00:27:18.000		
Top Label	G7EUFLEXUS01+				
Bottom Label					
Plot Key	UVS	Type	SCI	Scan Platform	No
CDS Bytes	38	Report Options	BOTH	DMS	No
CDS Source	OAP	Spin State	DUAL		
<b>Observation Objective</b>					
<div style="display: flex; align-items: flex-start;"> <div style="border: 1px solid black; width: 150px; height: 100px; margin-right: 10px;"></div> <p>Ride-along with NIMS. Part of the Global Mosaic Campaign of Europa covering approximately 120-210 degrees west longitude. The mosaic will be centered on the Flexus linea region.</p> </div>					
<b>Design Detail</b>					
CDS	RIM	CMD			
---	---	---			
38		CMDRS (157CJ)			
	4	34UVS,07,SCAN ,N,N,N,S,0,ON ,OFF,OFF,ON ,OFF,NOOVR,1,00,9C,01,2C			
	24	34UVS,C1,PIXED,N,N,N,S,0,OFF,OFF, ON,OFF,OFF,NOOVR,1,2C,05,00,00			

*Ben Williams*  
*97-094/01:55:47.066*



165DX:TT= 0 TMC= 1 C= 5.00 XC= 8.00 BS= 0/0210 TC= 3  
 A= 728 pD= 4098 SR=17.450 RA50=284.38 DEC50=-23.94 cone=148.13 clock= 93.22  
 117DX:#SB= 1 OR= 0.030 RR= 6.000 BM=F RC= 1 BS= 0/0210  
 1:#s= 3 Cs= -13.50 XCs= 0.00 Cr= 16.00 XCr= -8.50 sD= 1354 rD= 18

ESIGN G3.0 jael: 1/28/1997 15:23:24

ILE:P.G7ENFLEXUS01

TARGET BODY : EUROPA

INI:m.G7ENFLEXUS01

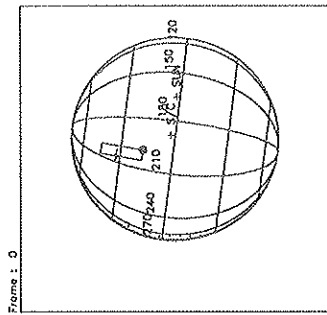
PH:/DATA/NAVIO/T-961107-TOUR.NS

ERIAPSIS:

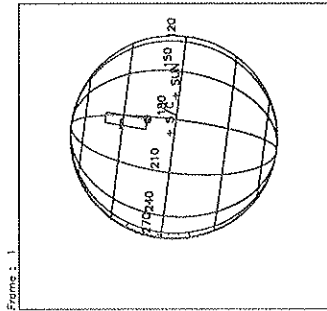
THINNING: :UVS 1

TART:EEE 97-094/05:59:28.400 -CDS 240:00:0

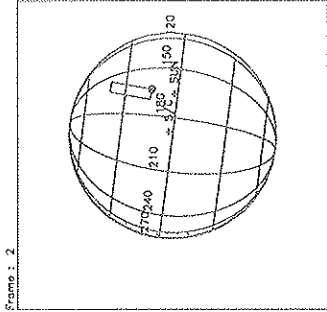
BODY PLOT TIME:TARGET-TIME D= 4098 S= 0.700



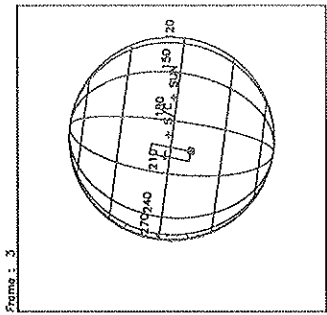
Start UTC\_TIME : 1997-094 // 01:59:45.652  
End UTC\_TIME : 1997-094 // 02:22:00.318  
Start SCLK : 1/0389753750000  
Delta Time between FOV : 166.0000  
FOVs : F Channei(0.1x0.4)



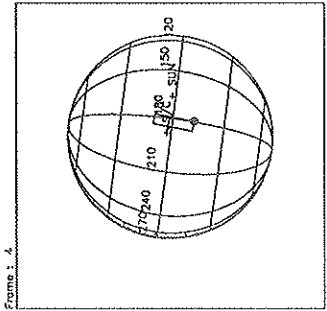
Target Body : EUROPA  
Target Cone/Clock : 148.55 / 92.10 Deg  
S/C to Body Center : 91293.94 Km ( 58.334783 Re )  
Z-axis Pointing ( Ro / Dec ) : 136.90 / 15.10 Deg



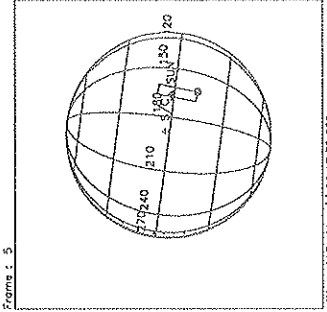
Target Body : EUROPA  
Target Cone/Clock : 148.55 / 92.10 Deg  
S/C to Body Center : 91293.94 Km ( 58.334783 Re )  
Z-axis Pointing ( Ro / Dec ) : 136.90 / 15.10 Deg



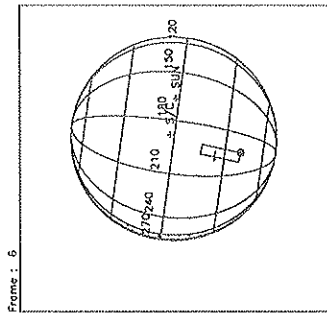
Target Body : EUROPA  
Target Cone/Clock : 148.55 / 92.10 Deg  
S/C to Body Center : 91293.94 Km ( 58.334783 Re )  
Z-axis Pointing ( Ro / Dec ) : 136.90 / 15.10 Deg



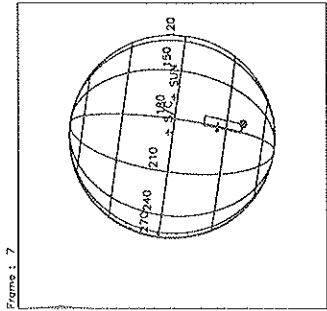
Target Body : EUROPA  
Target Cone/Clock : 148.55 / 92.10 Deg  
S/C to Body Center : 91293.94 Km ( 58.334783 Re )  
Z-axis Pointing ( Ro / Dec ) : 136.90 / 15.10 Deg



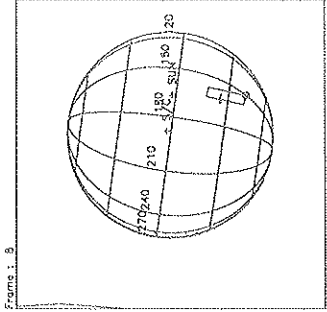
Target Body : EUROPA  
Target Cone/Clock : 148.55 / 92.10 Deg  
S/C to Body Center : 91293.94 Km ( 58.334783 Re )  
Z-axis Pointing ( Ro / Dec ) : 136.90 / 15.10 Deg



Target Body : EUROPA  
Target Cone/Clock : 148.55 / 92.10 Deg  
S/C to Body Center : 91293.94 Km ( 58.334783 Re )  
Z-axis Pointing ( Ro / Dec ) : 136.90 / 15.10 Deg



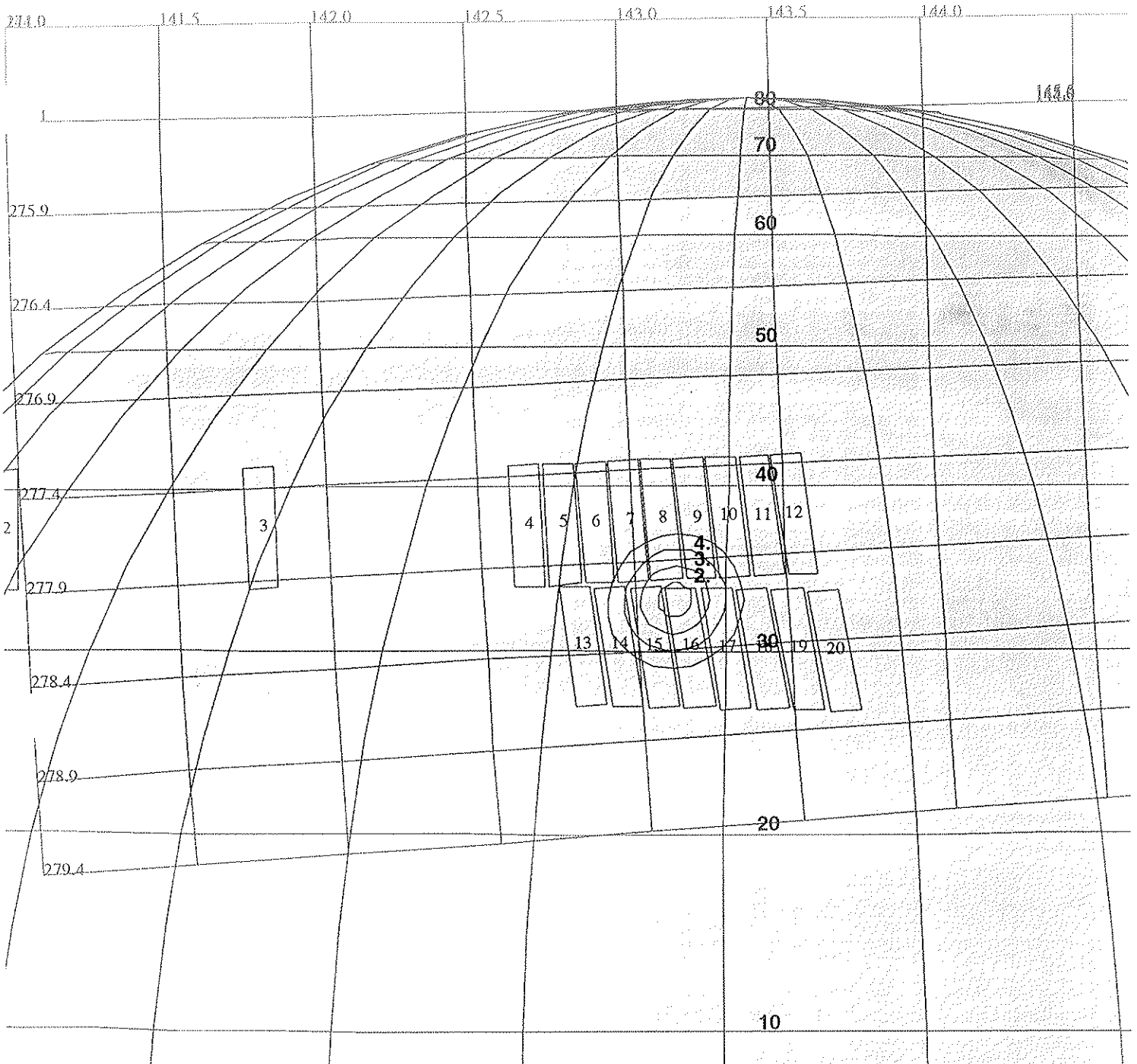
Target Body : EUROPA  
Target Cone/Clock : 148.55 / 92.10 Deg  
S/C to Body Center : 91293.94 Km ( 58.334783 Re )  
Z-axis Pointing ( Ro / Dec ) : 136.90 / 15.10 Deg



Target Body : EUROPA  
Target Cone/Clock : 148.55 / 92.10 Deg  
S/C to Body Center : 91293.94 Km ( 58.334783 Re )  
Z-axis Pointing ( Ro / Dec ) : 136.90 / 15.10 Deg

Start UTC\_TIME : 1997-094 // 01:59:45.652  
End UTC\_TIME : 1997-094 // 02:22:00.318  
Start SCLK : 1/0389753750000  
Delta Time between FOV : 166.0000  
FOVs : F Channei(0.1x0.4)

Activity ID: Orbit G7	OAPEL EUTYREMA	SeqNo 01+
Title	EUROPA TYRE MACULA REGION	Instrument UVS
Requestor	UVS-SWG/I. AIELLO X37737	Team UVS Working Group SWG
Time System CDS	Load ID	Calendar Date 04/04/97 Week 14
Start	EEE-CDS 00000009:00:0	97-094/05:49:21.066 EEE-000/00:09:06.000
End	EEE+CDS 00000012:00:0	97-094/06:10:35.066 EEE+000/00:12:08.000
Duration	00000021:00:0	000/00:21:14.000 000/00:21:14.000
Top Label	G7EUTYREMA01+	
Bottom Label		
Plot Key	UVS	Type SCI
CDS Bytes	38	Report Options BOTH Scan Platform No
CDS Source	OAP	Spin State DUAL DMS No
<b>Observation Objective</b>		
Ride-along with NIMS centered at 145 deg west longitude and 30 deg N latitude.		
<i>as seen: checked - June 18, 07 KIE</i>		
<b>Design Detail</b>		
CDS	RIM	CMD
38	3	CMDRS (157CI)
	4	34UVS, 07, SCAN, N, N, N, S, G, ON, OFF, OFF, ON, OFF, NOOVR, 1, 00, 9C, 01, 2C
	20	34UVS, CI, FIXED, N, N, N, S, G, OFF, OFF, ON, OFF, OFF, NOOVR, 1, 2C, 05, 00, 00
<i>00, 00</i>		



165EH:TT= 0 TMC= 1 C= 0.00 XC= 0.00 BS= 0/2798 TC= 1(37.5 152.5 )  
 A= 728 pD= 2952 SR=17.450 RA50=352.52 DEC50= -2.37 cone=142.71 clock=277.66  
 17EH:#SB= 1 OR=0.030 RR= 3.700 BM=F RC= 1 BS= 0/2798  
 1:#s= 2 Cs= 14.50 XCs= 0.00 Cr= -14.50 XCr= 7.00 sD= 1456 rD= 40

ESIGN G3.0 jaiel: 1/28/1997 15:12:39

LE:P.G7ENTYREMA01 160 150 140 130

TARGET BODY: EUROPA

INI:m.G7ENTYREMA01

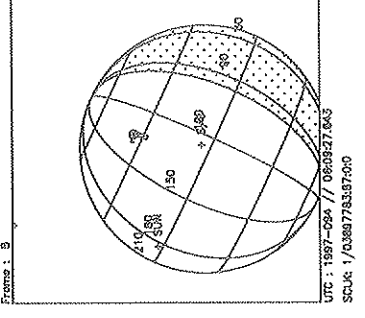
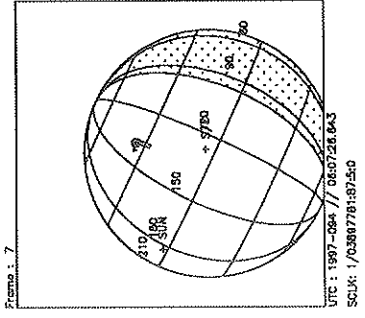
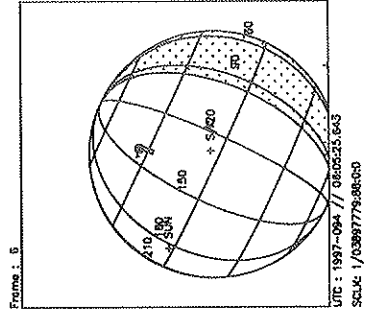
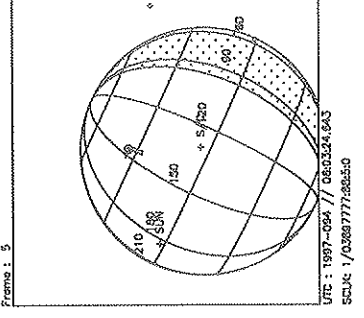
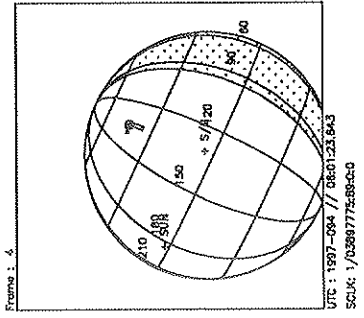
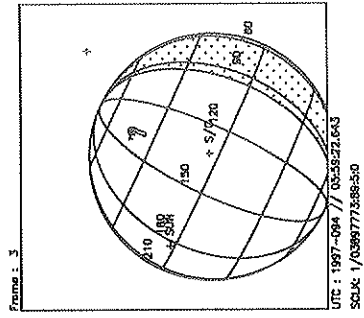
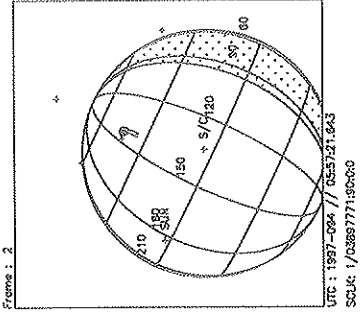
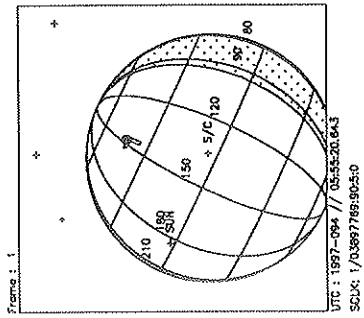
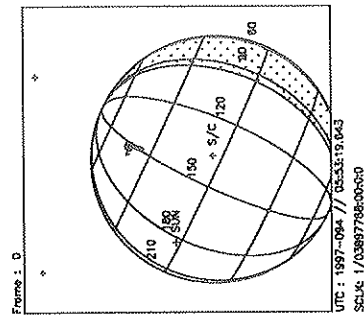
PH:/DATA/NAVIO/T-961107-TOUR.NS

ERIAPSIS:

THINNING: :JVS 1

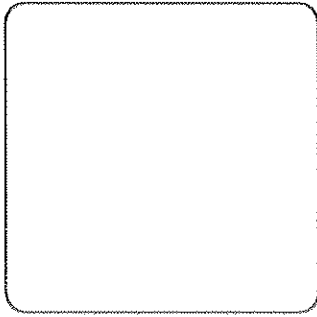
TART:EEE 97-094/05:59:28.400 -CDS 6:00:0

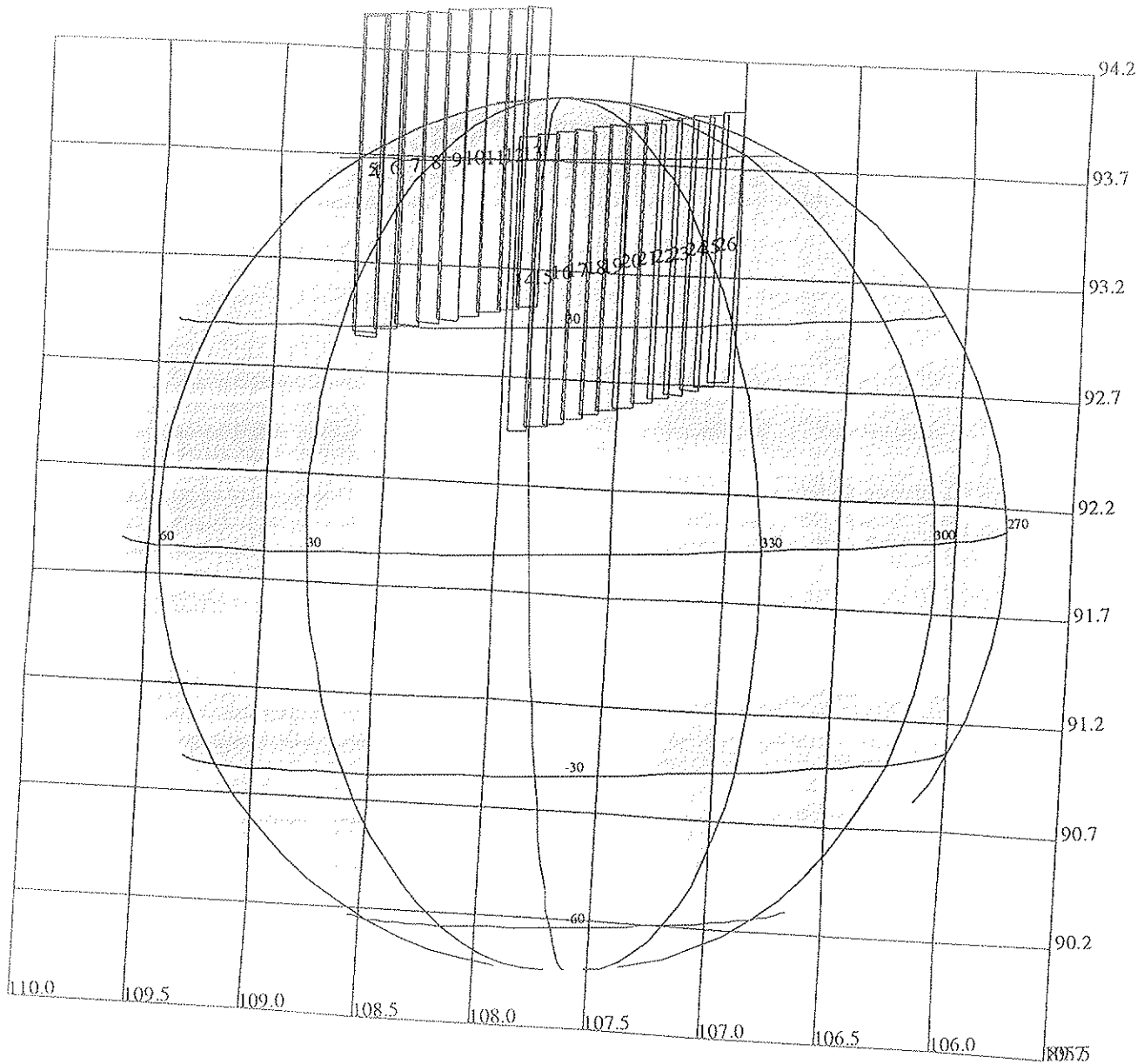
BODY PLOT TIME:TARGET-TIME D= 2952 S= 2.000



Start UTC\_TIME : 1997-094 // 05:53:19.643  
 End UTC\_TIME : 1997-094 // 06:09:30.309  
 Start SCLK : 1/038977680000  
 Delta Time between FOV : 121.0000  
 FOVs : F\_Channel(0.1x0.4)

Target Body : EUROPA  
 Target Cone/Clock : 142.38/281.13 Deg  
 S/C to Body Center : 25210.20 Km ( 16.108753 Re )  
 Z-axis Pointing ( Ra / Dec ) : 136.90 / 15.10 Deg

<b>Activity ID:</b> Orbit G7	<b>OAPEL</b> GUHNLAT_	<b>SeqNo</b> 01+
<b>Title</b>	GANYMEDE NORTH HIGH LATITUDE REGION MAP	<b>Instrument</b> UVS
<b>Requestor</b>	UVS-SWG/J. AIELLO X37737	<b>Team</b> UVS <b>Working Group</b> SWG
<b>Time System</b> CDS	<b>Load ID</b>	<b>Calendar Date</b> 04/05/97 <b>Week</b> 14
<b>Start</b>	GEE-CDS 00000159:00:0	97-095/04:29:17.666    GEE-000/02:40:46.000
<b>End</b>	GEE-CDS 00000125:00:0	97-095/05:03:40.333    GEE-000/02:06:23.333
<b>Duration</b>	00000034:00:0	000/00:34:22.667    000/00:34:22.667
<b>Top Label</b>	G7GUHNLAT_01+	
<b>Bottom Label</b>		
<b>Plot Key</b>	UVS	<b>Type</b> SCI
<b>CDS Bytes</b>	0	<b>Report Options</b> BOTH <b>Scan Platform</b> No
<b>CDS Source</b>	OAP	<b>Spin State</b> DUAL <b>DMS</b> No
<b>Observation Objective</b>		
Ride-along with NIMS.		
 <p style="margin-left: 400px;"> <i>(1) 16 step 6/s on h. a.</i>  <i>(2) 16 step 6/s on 1356A</i> </p>		
<b>Design Detail</b>		
<b>CDS</b>	<b>RIM</b>	<b>CMD</b>
52	4	CMDRS (157CQ)
	24	34UVS, D1, SCAN, N, N, N, S, 0, OFF, OFF, ON, ON, OFF, NOOVR, 1, B6, 45, 00, 00
	27	34UVS, 07, SCAN, N, N, N, S, 0, ON, OFF, OFF, ON, OFF, NOOVR, 1, 00, 9C, 01, 2C
		34UVS, C1, FIXED, N, N, N, S, 0, OFF, OFF, ON, OFF, OFF, NOOVR, 1, 2C, 05, 00, 00
		LOOPER (5 TIMES)
38		CMDRS (157CR)
	14	34UVS, D1, SCAN, N, N, N, S, 0, OFF, OFF, ON, ON, OFF, NOOVR, 1, 5A, 45, 00, 00
	15	34UVS, D1, SCAN, N, N, N, S, 0, OFF, OFF, ON, ON, OFF, NOOVR, 1, B6, 45, 00, 00
	16	34UVS, D1, SCAN, N, N, N, S, 0, OFF, OFF, ON, ON, OFF, NOOVR, 1, 5A, 45, 00, 00
	17	34UVS, D1, SCAN, N, N, N, S, 0, OFF, OFF, ON, ON, OFF, NOOVR, 1, B6, 45, 00, 00
	18	34UVS, D1, SCAN, N, N, N, S, 0, OFF, OFF, ON, ON, OFF, NOOVR, 1, 5A, 45, 00, 00
	19	34UVS, D1, SCAN, N, N, N, S, 0, OFF, OFF, ON, ON, OFF, NOOVR, 1, B6, 45, 00, 00
	20	34UVS, D1, SCAN, N, N, N, S, 0, OFF, OFF, ON, ON, OFF, NOOVR, 1, 5A, 45, 00, 00
	21	34UVS, D1, SCAN, N, N, N, S, 0, OFF, OFF, ON, ON, OFF, NOOVR, 1, B6, 45, 00, 00
	22	34UVS, D1, SCAN, N, N, N, S, 0, OFF, OFF, ON, ON, OFF, NOOVR, 1, 5A, 45, 00, 00
	23	34UVS, D1, SCAN, N, N, N, S, 0, OFF, OFF, ON, ON, OFF, NOOVR, 1, B6, 45, 00, 00



A= 728 pD= 0 SR=17.450 RA50=240.91 DEC50=-23.99 cone=108.57 clock= 93.60

1:#s= 1 Cs= -16.30 XCs= 0.00 Cr= 0.00 XCr= 0.00 sD= 1638 rD= 2  
 2:#s= 1 Cs= -25.00 XCs= 0.00 Cr= 3.00 XCr= -11.00 sD= 2514 rD= 32

ESIGN G3.0 jael: 1/28/1997 15:25:35

ILE:P.G7GNNHILAT01

ARGET BODY : GANYMEDE

INI:m.G7GNNHILAT01

.PH:/DATA/NAVIO/T-961231-TOUR.NS

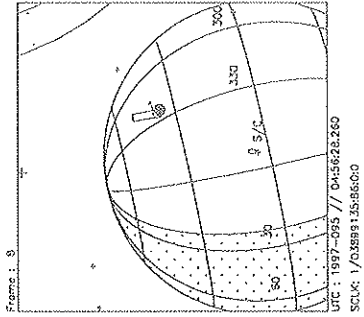
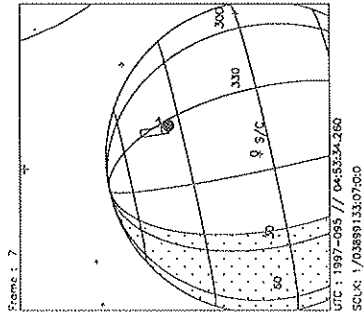
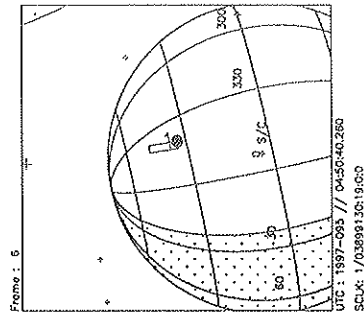
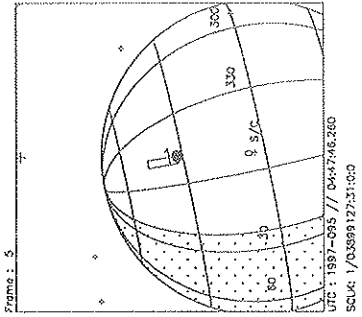
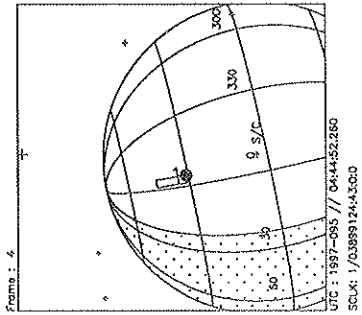
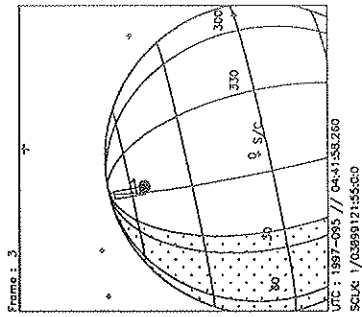
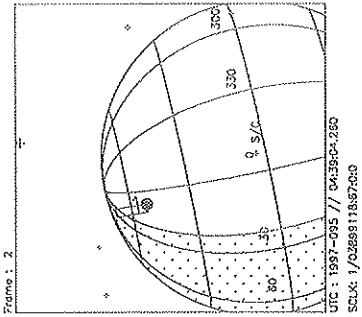
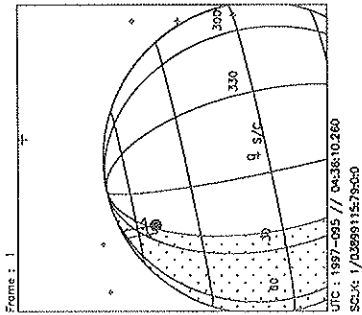
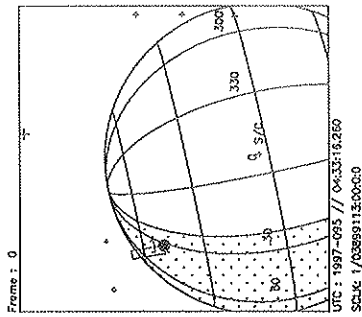
ERIAPSIS:

THINNING: :UVS 1

TART:GEE 97-095/07:11:05.066 -CDS 155:00:0

BODY PLOT TIME:TARGET-TIME D= 0 S= 0.700

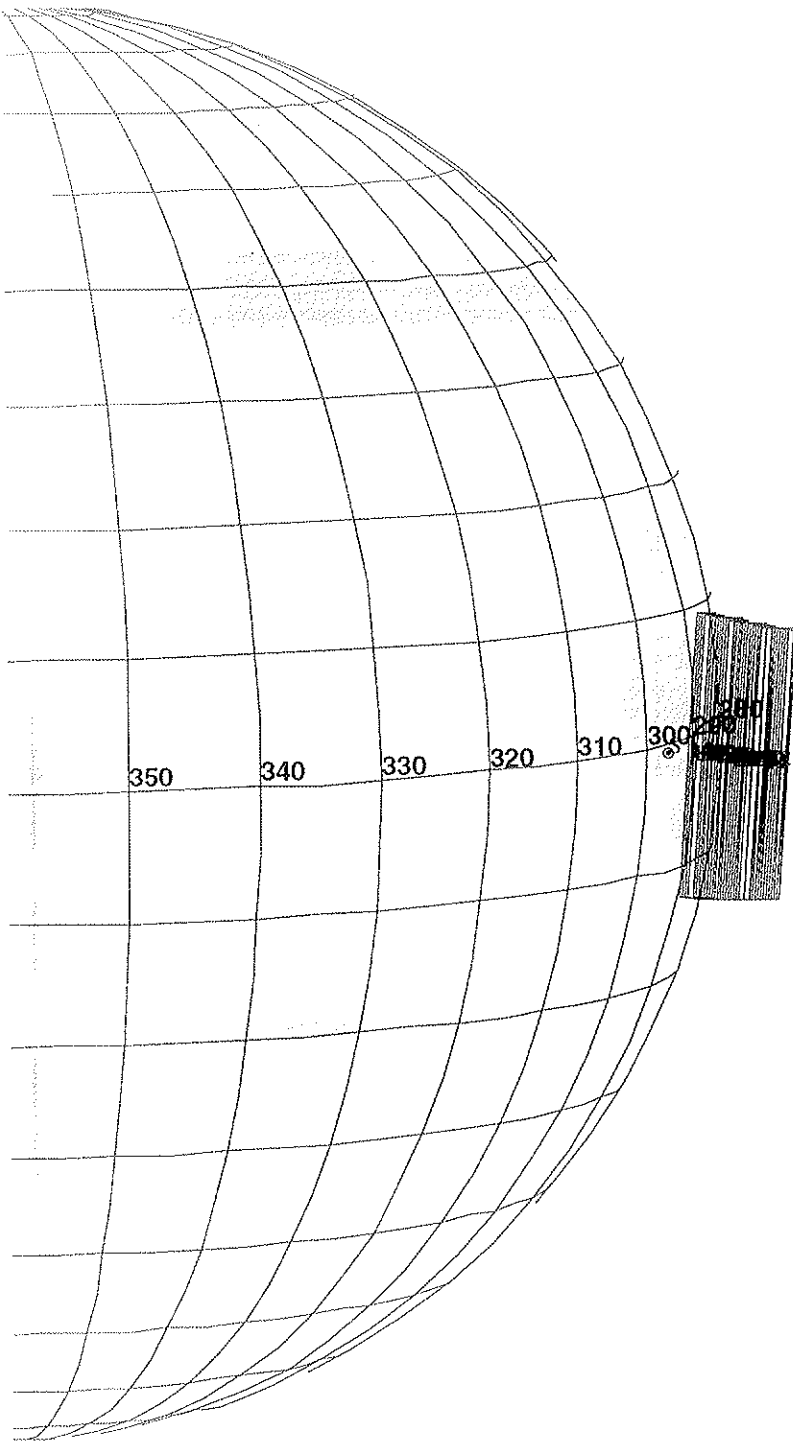




Start UTC\_TIME : 1997-095 // 04:33:16.260  
 End UTC\_TIME : 1997-095 // 04:56:31.592  
 Start SCLX : 1/03899113:00:0:0  
 Delta Time between FOV : 174.0000  
 FOVs : F Channel(0.1x0.4)

Target Body : GANYMEDE  
 Target Cone/Clock : 107.73 / 91.94 Deg  
 S/C to Body Center : 78898.78 Km ( 29.953971 Rc )  
 Z-axis Pointing ( Rc / Dec ) : 136.90 / 15.10 Deg

<b>Activity ID:</b> Orbit G7	<b>OAPEL</b> GUBRTLMB	<b>SeqNo</b> 01-
<b>Title</b> UVS Ganymede Bright Limb (Oxygen)		<b>Instrument</b> UVS
<b>Requestor</b> UVS-SWG/J. Aiello 30523	<b>Team</b> UVS	<b>Working Group</b> SWG
<b>Time System</b> CDS	<b>Load ID</b>	<b>Calendar Date</b> 04/05/97 <b>Week</b> 14
<b>Start</b> GTE-CDS 00000088:00:0	97-095/05:41:05.000	GTE-000/01:28:58.666
<b>End</b> GTE-CDS 00000080:00:0	97-095/05:49:10.333	GTE-000/01:20:53.333
<b>Duration</b> 00000008:00:0	000/00:08:05.333	000/00:08:05.333
<b>Top Label</b> G7GUBRTLMB01-		
<b>Bottom Label</b> (recorded)		
<b>Plot Key</b> UVS	<b>Type</b> SCI	
<b>CDS Bytes</b> 38	<b>Report Options</b> BOTH	<b>Scan Platform</b> Yes
<b>CDS Source</b> OAP	<b>Spin State</b> ALL	<b>DMS</b> Yes
<b>Observation Objective</b>		
G/G 16-STEP around 1304A (Oxygen)		
<div style="border: 1px solid black; width: 150px; height: 100px; margin: 0 auto;"></div> <p style="color: red; text-align: center;"><i>Mar 12, 97-KES</i> a change sheet was submitted to change the configuration to 1216 and 1304.</p>		
<b>Design Detail</b>		
CDS RIM Command Parameters	PSID	<i>as run: verified June 18, 07 KES</i>
-----	----	<i>5A, 45, 00, 399</i> →
0 TARGET		
0 CSMOS		
0 SCIREC		
38 003 CMDRS	(CO)	
004 1 34UVS, D1, F, N, N, N, S, 0, OFF, OFF,	ON, ON, OFF, NOOVR, 1, 94, 45, 00, 00	<---?
008 5 34UVS, C1, F, N, N, N, S, 0, OFF, OFF,	ON, OFF, OFF, NOOVR, 1, 2C, 05, 00, 00	
<i>12920-1315.0</i>		



165CZ:TT= 0 TMC= 1 C= 0.00 XC= 0.00 BS= 0/0693 TC= 2(102.07 88.95 )  
 A= 504 pD= 910 SR=17.450 RA50=232.91 DEC50=-27.26 cone=102.07 clock= 88.95  
 117CA:#SB= 1 OR= 0.050 RR=12.000 BM=F RC= 1 BS= 0/0693  
 1:#s= 1 Cs= -14.40 XCs= -5.75 Cr= 0.00 XCr= 0.00 sD= 728 rD= 2

ESIGN G3.0 jael: 2/10/1997 14:15:49

FILE:P.G7GUBRTLMB01

TARGET BODY : GANYMEDE

INI:m.G7GUBRTLMB01

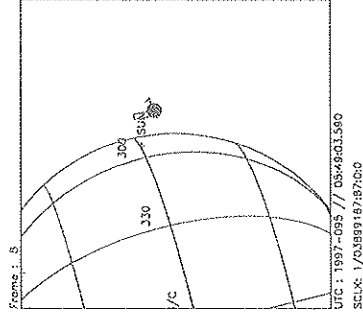
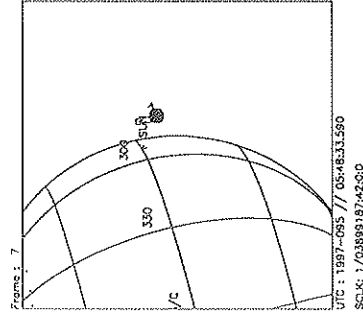
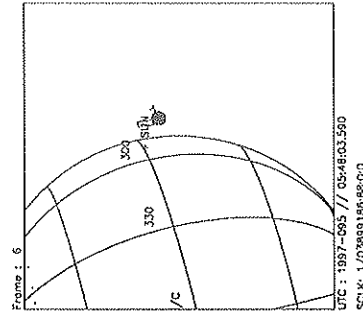
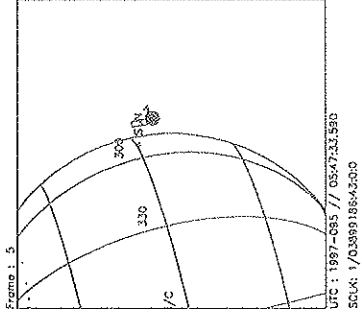
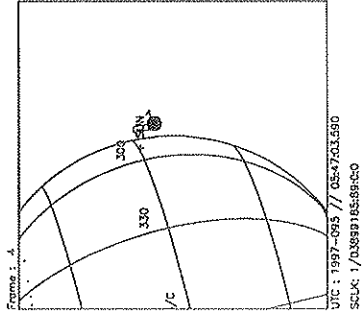
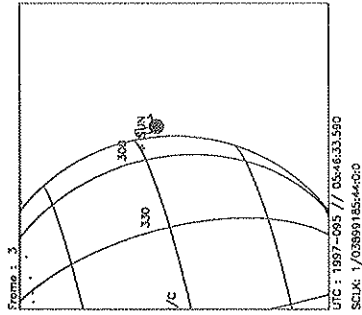
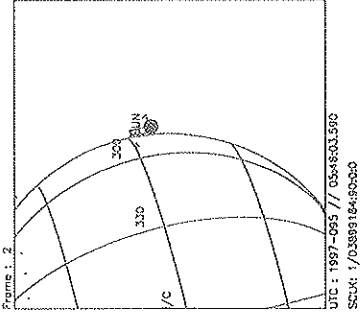
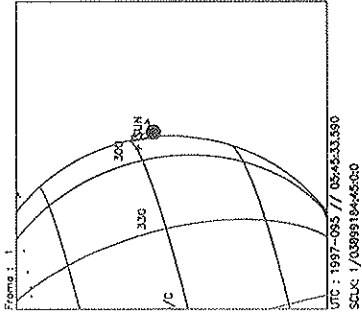
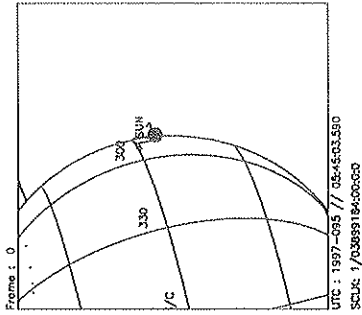
PH:/DATA/NAVIO/T-961231-TOUR.NS

ERIAPSIS:

THINNING: :UVS 1

TART:GTE 97-095/07:11:04.333 -CDS 84:00:0

BODY PLOT TIME:TARGET-TIME D= 910 S= 1.000

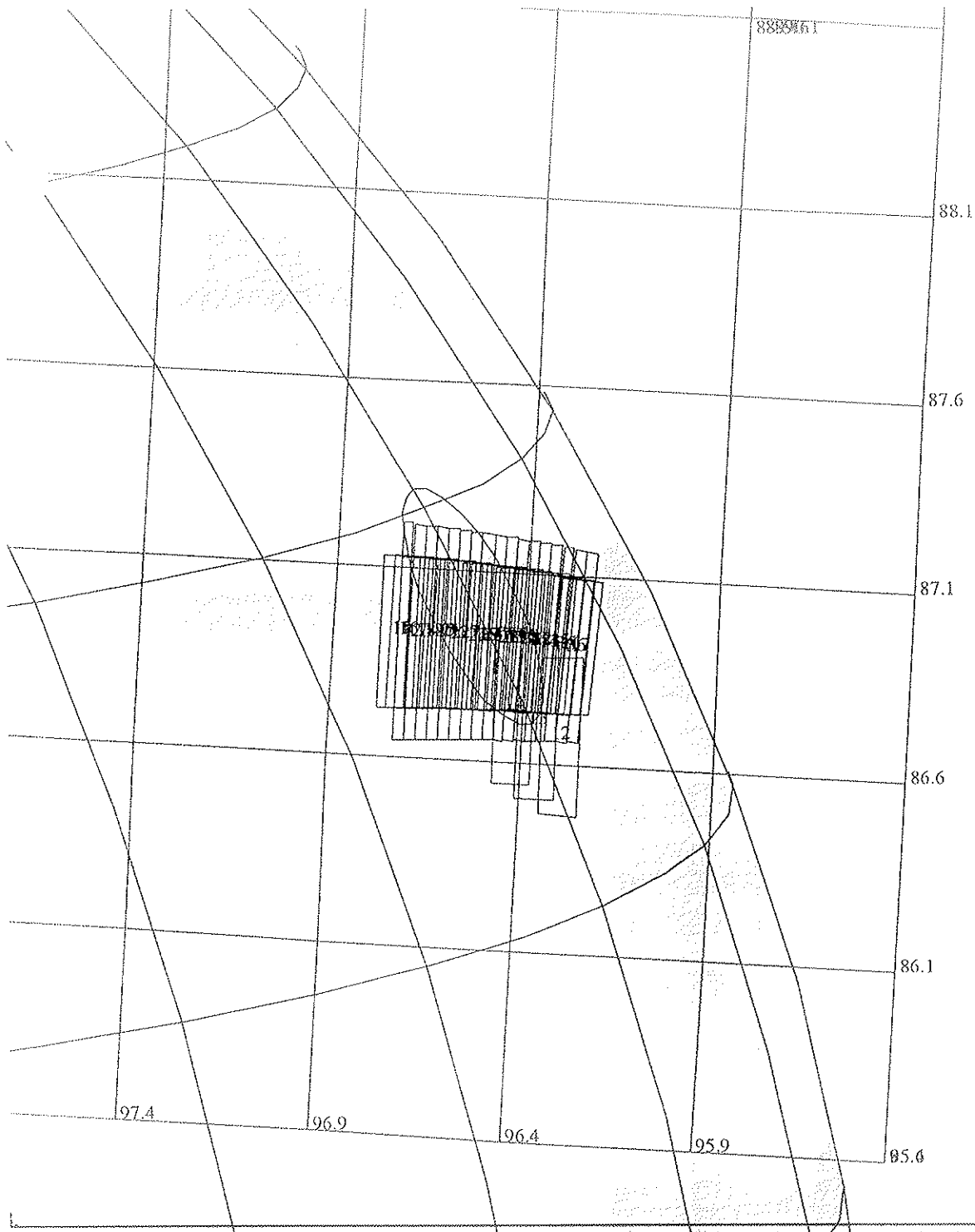


Start UTC\_TIME : 1997-095 // 05:45:03.590  
End UTC\_TIME : 1997-095 // 05:49:06.257  
Start SCLK : 1/03899184:00:00  
Delta Time between FOV : 30.00000  
FOVs : F Channel(0.1x0.4)

Target Body : GANYMEDE  
Target Cone/Clock : 105.55 / 89.00 Deg  
S/C to Body Center : 43001.60 Km ( 16.325587 Rg )  
Z-axis Pointing ( Rc / Dec ) : 136.90 / 15.10 Deg

Activity ID: Orbit G7	OAPEL GUBRITRL	SeqNo 01+
Title	UVS R/A W/ NIMS BRITRL OBS	Instrument UVS
Requestor	UVS-SWG/K.NAVIAUX 37740	Team UVS Working Group SWG
Time System CDS	Load ID G7A	Calendar Date 04/05/97 Week 14
Start	GTE-CDS 00000051:00:0	97-095/06:18:29.666 GTE-000/00:51:34.000
End	GTE-CDS 00000042:00:0	97-095/06:27:35.666 GTE-000/00:42:28.000
Duration	00000009:00:0	000/00:09:06.000 000/00:09:06.000
Top Label	G7GUBRITRL01+	
Bottom Label	(recorded)	
Plot Key	UVS	Type SCI
CDS Bytes	38	Report Options BOTH Scan Platform No
CDS Source	OAP	Spin State ALL DMS No
<b>Observation Objective</b>		
	Ride-along with the NIMS Ganymede BRITRL observation to observe Ganymede in the 1600Å to 3200Å wavelength regions at phase angles not obtainable from the Earth. Data will supplement and complement the NIMS surface property measurements.	
	Recorded scan-platform mosaic on a Ganymede Bright Trail (~74° phase ; ~305-295 longitude). Playback will require [(cds 04:63:0)*(1008 bps)] = 0.29 Mbits of UVS data.	
	UVS Configuration = F/F Full Scans	
<b>Design Detail</b>		
CDS RIM Command Parameters	PSID	
0 TARGET (NIMS Target)	----	
0 CSMOS (NIMS Csmos)		
0 SCIREC (NIMS Scirec)		
38 003 CMDRS (CP) <i>off</i>		
004 1 34UVS,07,S,N,N,N,S,0, ON,OFF, ON, ON,OFF,NOOVR,1,00,9C,00,00		
008 5 34UVS,C1,F,N,N,N,S,0,OFF,OFF, ON,OFF,OFF,NOOVR,1,2C,05,00,00		

*correct: as run  
April 18, 97 R/S*



165EX:TT= 0 TMC= 1 C= 0.00 XC= 0.00 BS= 0/7426 TC= 1(27.5 305.0 )  
 A= 728 pD= 854 SR=17.450 RA50=226.57 DEC50=-28.15 cone= 96.73 clock= 86.89  
 117EX:#SB= 1 OR= 0.030 RR= 0.040 BM=F RC= 1 BS= 0/7426  
 1:#s= 1 Cs= -8.50 XCs= 0.00 Cr= 0.00 XCr= 0.00 sD= 854 rD= 2

ESIGN G3.0 jaiel: 1/28/1997 15:20:55

FILE:P.G7GNBRITRL01

TARGET BODY : GANYMEDE

INIT:m.G7GNBRITRL01

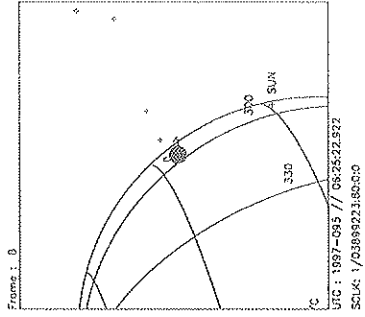
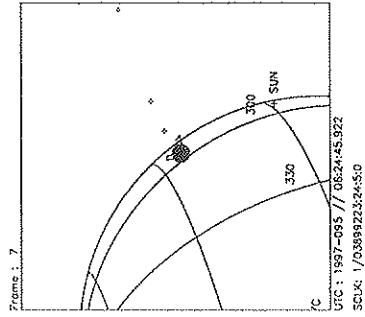
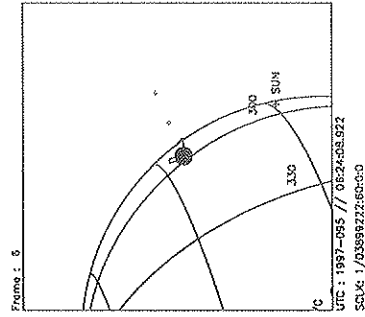
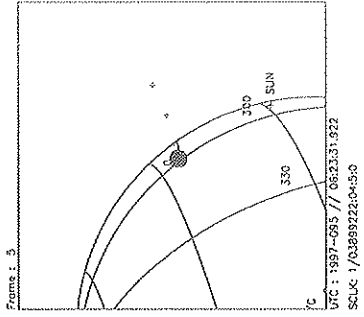
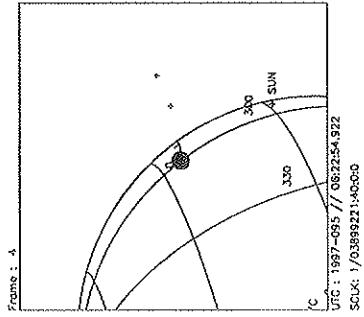
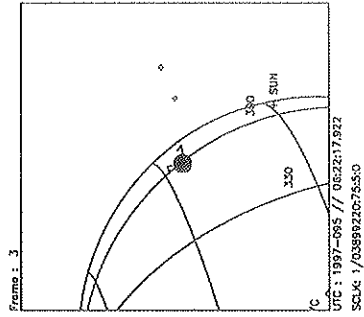
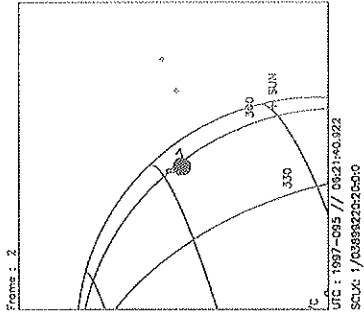
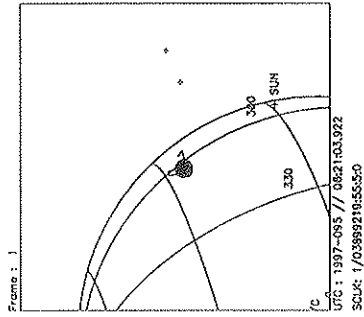
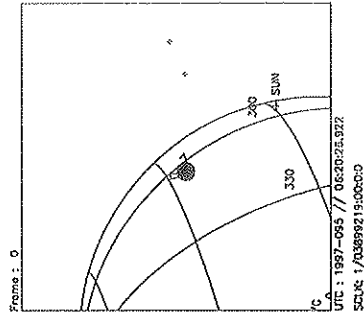
PH:/DATA/NAVIO/T-961231-TOUR.NS

ERIAPSIS:

TART:GTE 97-095/07:11:05.066 -CDS 47:00:0

THINNING:NIM 2 :UVS 1

BODY PLOT TIME:TARGET-TIME D= 854 S= 4.000



Start UTC\_TIME : 1997-095 // 06:20:26.922  
 End UTC\_TIME : 1997-095 // 06:25:30.255  
 Start SCLK : 1/03899219:00:00  
 Delta Time between FOV : 37.00000  
 FOVs : F Channel(0.1x0.4)

Target Body : GANYMEDE  
 Target Cone/Clock : 102.15 / 84.65 Deg  
 S/C to Body Center : 25535.56 Km ( 9.6945946 Rg )  
 Z-axis Pointing ( Ro / Dec ) : 136.90 / 15.10 Deg