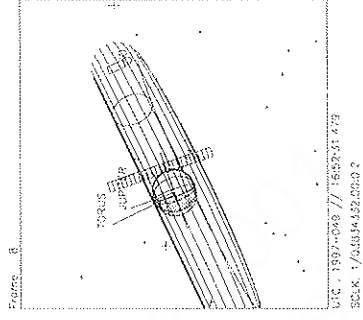
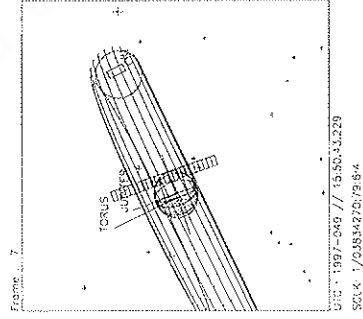
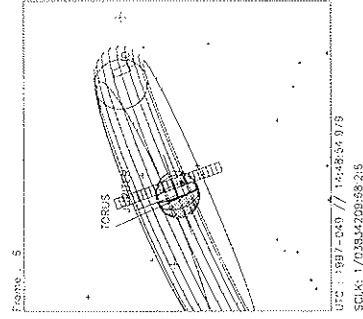
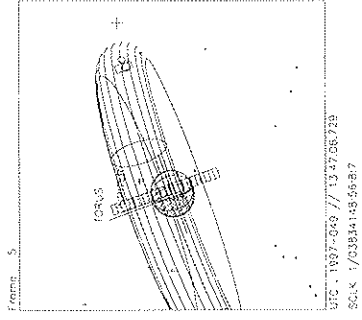
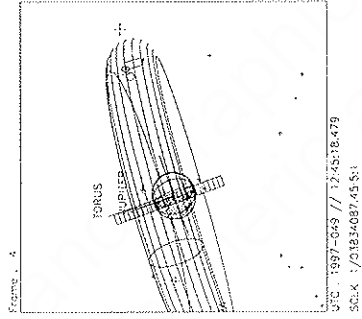
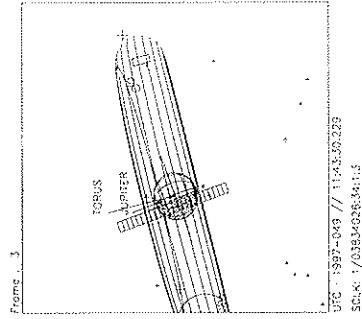
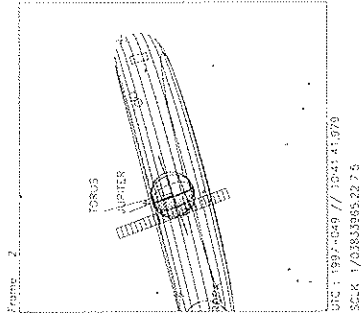
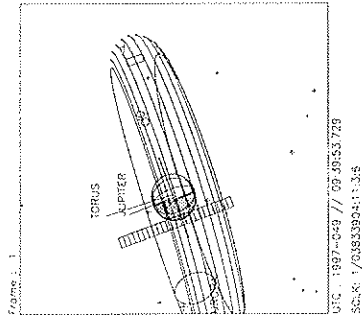
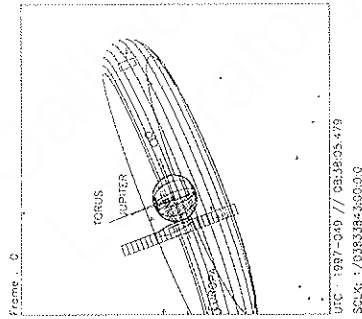


Activity ID: Orbit E6		OAPEL TVEUVAUR		SeqNo 01-	
Title		EUV AURORA CONFIGURE, E6 INBOUND		Instrument EUV	
Requestor		UVS-MWG/S.STEPHENS		Team UVS	
				Working Group MWG	
Time System	CDS	Load ID	E6A	Calendar Date	02/18/97
				Week	8
Start	JEE-CDS 00003578:00:0		97-049/08:35:07.267		JEE-002/12:17:45.333
End	JEE-CDS 00003575:00:0		97-049/08:38:09.267		JEE-002/12:14:43.333
Duration	00000003:00:0		000/00:03:02.000		000/00:03:02.000
Top Label		E6TVEUVAUR01-			
Bottom Label		(EUV Aurora Configure)			
Plot Key	EUV	Type	SCI		
CDS Bytes	200	Report Options	BOTH		
CDS Source	PA	Spin State	DUAL		
		Scan Platform	No		
		DMS	No		
Observation Objective					
<div style="border: 1px solid black; width: 200px; height: 150px; display: inline-block; vertical-align: top;"></div> <p>EUV AURORA CONFIGURE, E6 INBOUND: Load aurora Fixed Pattern Noise Table (FPNT), using Phase 2 EUVAUR library sequence Configure EUV for taking data, using an EUVCMD PA</p>					
Design Detail					
PSID	RIM:mf	CDS PA			
384BE	0	0	COMMENT [UVS RIM 0]		
	0	179	[LOAD PHASE 2 EUVAUR LIBRARY SEQUENCE]		
351BA	2	21	EUVCMD [TARGET BODY AURORA]		
	2		24EUV,N,C,3,5D,C,1,18 [STARTING STEP 93, 1 SCAN/SECTOR, 24 SECTORS]		
<p><i>Ride along on UVS MANS and AURA o ap. 6</i></p>					



Start UTC_TIME : 1997-049 // 08:38:05.479
No End Time :
Start SCLK : 1/0383384-500:0:0

Target Body : JUPITER
Target Ra/Dec : 212.33/-15.03 Deg
S/C to Body Center : 2154933.4km (SC:142297 R)
Z-axis Pointing (Ra / Dec) : 130.35 / 18.79 Deg

EUV POWER OFF, E6 INBOUND

ACTIVITY ID: E6TVEUVOFF01-

START TIME: 97-049/16:49:33.267

Activity ID: Orbit E6	OAPEL TVEUVOFF	SeqNo 01-
Title EUV POWER OFF, E6 INBOUND	Instrument EUV	
Requestor UVS-MWG/S.STEPHENS	Team UVS	Working Group MWG
Time System CDS	Load ID E6A	Calendar Date 02/18/97 Week 8
Start JEE-CDS 00003089:00:0	97-049/16:49:33.267	JEE-002/04:03:19.333
End JEE-CDS 00003079:00:0	97-049/16:59:39.934	JEE-002/03:53:12.666
Duration 00000010:00:0	000/00:10:06.667	000/00:10:06.667
Top Label E6TVEUVOFF01-		
Bottom Label (EUV Power Off)		
Plot Key EUV	Type SCI	
CDS Bytes 180	Report Options BOTH	Scan Platform No
CDS Source PA	Spin State DUAL	DMS No
Observation Objective		
	EUV POWER OFF, C3 INBOUND: Turn EUV off after end of simultaneous UVS/EUV observations in E6A, before 25 Rj	
Design Detail		
PSID	RIM:mf	CDS PA
384BI	0	0 COMMENT {UVS RIM 0}
	2	180 {LOAD PHASE 2 EUVOFF LIBRARY SEQUENCE}