

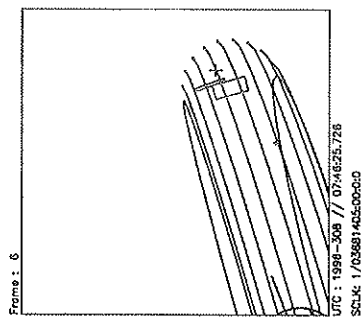
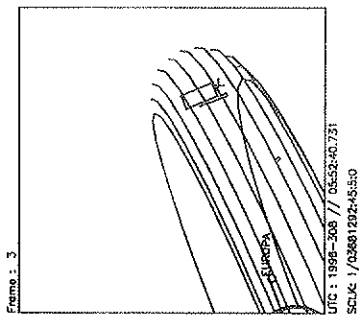
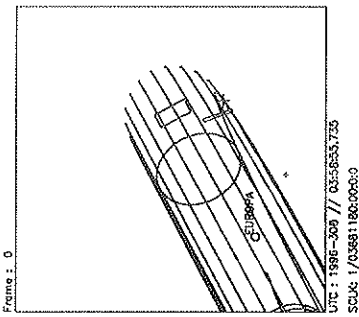
Activity ID: Orbit C3		OAPEL TUC3NPRO		SeqNo 01-	
Title		UVS NOON ANSA PROFILE 1, C3 INBOUND		Instrument UVS	
Requestor		UVS-MWG/S.STEPHENS		Team UVS	
				Working Group MWG	
Time System CDS		Load ID C3A		Calendar Date 11/03/96	
				Week 44	
Start		JEE-CDS 00004839:00:0		96-308/03:54:56.933	
				JEE-003/09:32:46.000	
End		JEE-CDS 00004535:00:0		96-308/09:02:19.600	
				JEE-003/04:25:23.333	
Duration		00000304:00:0		000/05:07:22.667	
				000/05:07:22.667	
Top Label		C3TUC3NPRO01-			
Bottom Label		(UVS RTS Torus)			
Plot Key		UVS		Type SCI	
CDS Bytes		499		Report Options BOTH	
				Scan Platform Yes	
CDS Source		PA		Spin State DUAL	
				DMS No	
Observation Objective					
<div style="display: flex; align-items: flex-start;"> <div style="border: 1px solid black; width: 150px; height: 100px; margin-right: 10px;"></div> <div> <p>UVS IO TORUS NOON ANSA RADIAL PROFILE 1, C3 INBOUND (NO EUV): From: 5.28 Rj (inside ribbon) at cone > 90 (ribbon at 5.76 Rj, Sys III W Long 134) To: 6.27 Rj (outside ribbon) at fixed cone Data rate: Instrument states last 30 RIMS; thus, 9.73 bps UVS OPTRTM/UVFLUSH STRATEGY (17,712 bits per UVS PACKET): UVS deselected; thus, 30-RIM UVFLUSHes needed to PACKET UVS, after initial DISCRD WAVELENGTHS (Angstroms): Emission lines: UVS (S+ 1259, O+ 3728, S+ 4070), EUV (S++ 685, S+ 765, O+ 834) 2POSN-22STEP N/G MINISCAN (UVS): N 4040.9-4098.7 (CTR 4071.2, STEP 436) [EVEN FRAMES], G 1239.8-1272.1 (CTR 1256.7, STEP 81) [ODD FRAMES] 2POSN-1STEP N/N MINISCAN (UVS): N 3728.2 (STEP 313) [EVEN FRAMES],</p> </div> </div>					
Design Detail					
PSID	RIM:mf	CDS PA			
384BA	0	0	COMMENT [UVS RIM 0]		
61BA	2	37	LOOPER [LOOP PERIOD 60, NUM LOOPS 5]		
432BA	3	56	OPTRTM [EUV EXCLUDE, UVS EXCLUDE]		
157BA	3	38	CMDRS (10+14*2) [PLAN DUR 31, EST UVS CMDS 2]		
349BA	3:69	28	UVFLUSH [6UVRT, DISCRD, UVS]		
165BA	4	36	TARGET [CONE 101.99, CLOCK 88.00]		
	4		34UVS,D3,F,N,N,N,S,0,OFF,ON,ON,ON,OFF,NO,1,D5,4E,05,63 [22STEP N/G]		
349BB	32:69	140	UVFLUSH (28*5) [6UVRT, PACKET, UVS]		
	34		34UVS,C1,F,N,N,N,S,0,OFF,ON,OFF,ON,OFF,NO,1,65,06,00,7B [1STEP N/N]		
349BC	62:69	140	UVFLUSH (28*5) [6UVRT, PACKET, UVS]		
...BK			... [REPEAT 4 ADDITIONAL TIMES]		
157BB	303	24	CMDRS (10+14*1) [PLAN DUR 1, EST UVS CMDS 1]		
	304		34UVS,C1,F,N,N,N,S,0,OFF,OFF,ON,OFF,OFF,NO,1,2C,05,00,00 [HVOFF]		

GDR

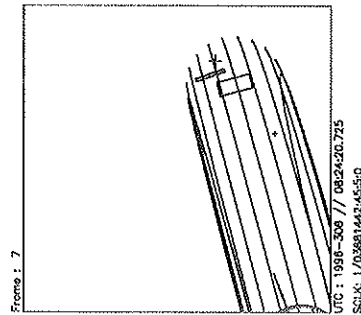
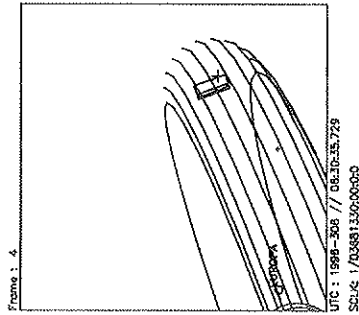
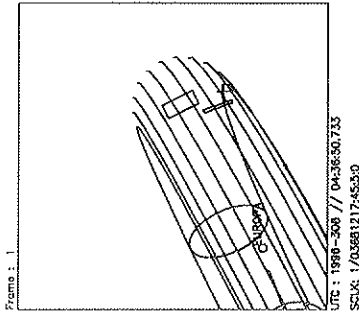
ri Sep 13 18:01:34 1996

C3NPR001 (C3A Φ), 201.126, -10.746

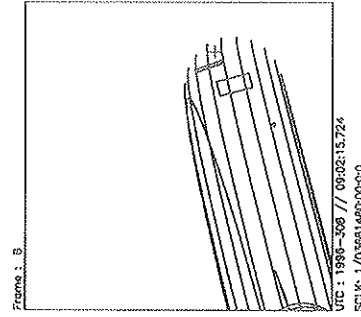
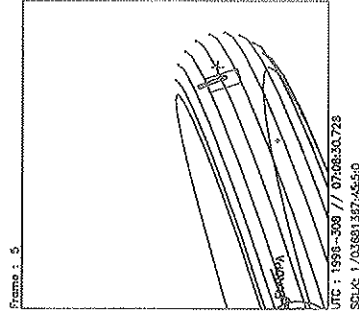
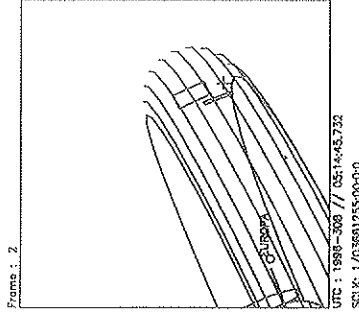
Page 1 of 1



Start UTC_TIME : 1996-308 // 03:58:55.735
No End Time :
Start SCLK : 1/03681180:00:0:0



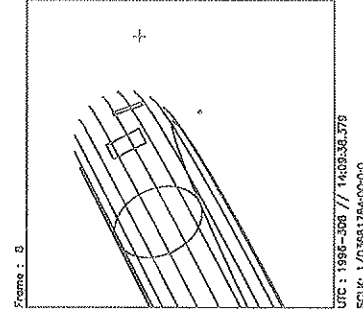
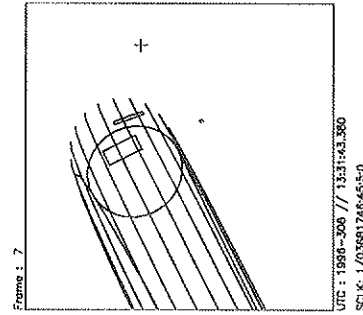
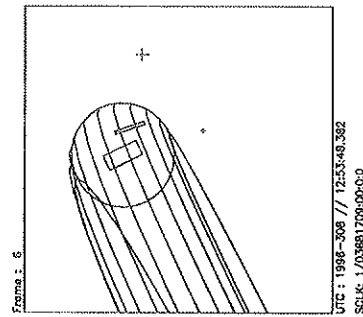
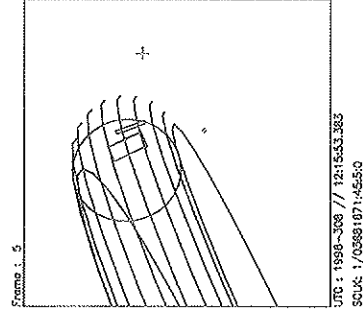
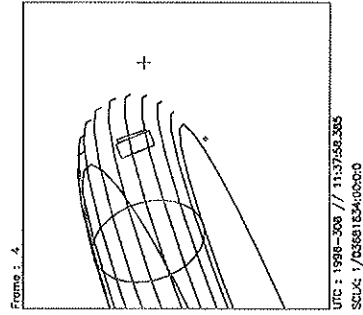
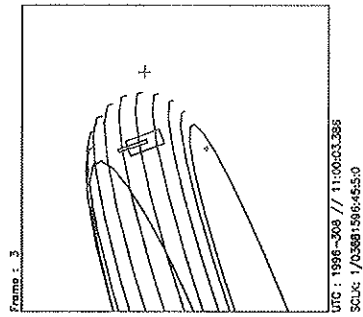
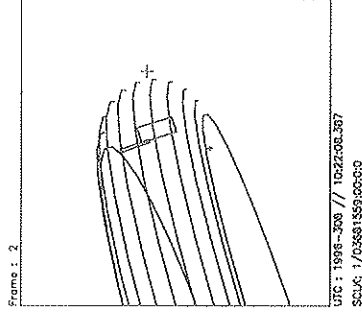
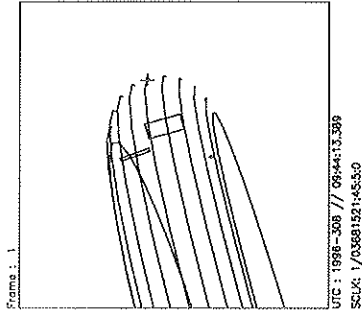
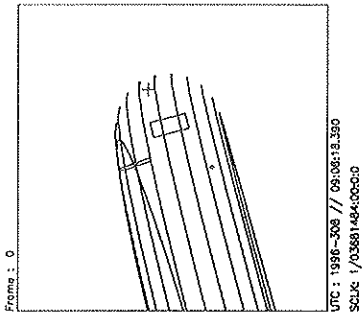
Target Body : JUPITER
Target Cone/Clock : 110.01 / 88.50 Deg
S/C to Body Center : 2716755. Km (38.000832 RJ)
Z-axis Pointing (Ra / Dec) : 102.80 / 25.00 Deg



Activity ID: Orbit C3		OAPEL TUC3NPRO		SeqNo 02-	
Title		UVS NOON ANSA PROFILE 2, C3 INBOUND		Instrument UVS	
Requestor		UVS-MWG/S.STEPHENS		Team UVS	
				Working Group MWG	
Time System CDS		Load ID C3A		Calendar Date 11/03/96	
				Week 44	
Start		JEE-CDS 00004535:00:0		96-308/09:02:19.600	
				JEE-003/04:25:23.333	
End		JEE-CDS 00004231:00:0		96-308/14:09:42.267	
				JEE-002/23:18:00.666	
Duration		00000304:00:0		000/05:07:22.667	
				000/05:07:22.667	
Top Label		GC3TUC3NPRO02-			
Bottom Label		(UVS RTS Torus)			
Plot Key		UVS		Type SCI	
CDS Bytes		443		Report Options BOTH	
				Scan Platform Yes	
CDS Source		PA		Spin State DUAL	
				DMS No	
Observation Objective					
<div style="border: 1px solid black; width: 150px; height: 100px; display: inline-block; vertical-align: top;"></div> <p>UVS IO TORUS NOON ANSA RADIAL PROFILE 2, C3 INBOUND (NO EUV): From: 5.26 Rj (inside ribbon) at cone > 90 (ribbon at 5.76 Rj, Sys III W Long 318) To: 6.29 Rj (outside ribbon) at fixed cone Data rate: Instrument states last 30 RIMS; thus, 9.73 bps UVS OPTRIM/UVFLUSH STRATEGY (17,712 bits per UVS PACKET): UVS deselected; thus, 30-RIM UVFLUSHes needed to PACKET UVS, after initial DISCRD WAVELENGTHS (Angstroms): Emission lines: UVS (S+ 1259, O+ 3728, S+ 4070), EUV (S++ 685, S+ 765, O+ 834) 2 POSN-22STEP N/G MINISCAN (UVS): N 4040.9-4098.7 (CTR 4071.2, STEP 436) [EVEN FRAMES], G 1239.8-1272.1 (CTR 1256.7, STEP 81) [ODD FRAMES] 2 POSN-1STEP N/N MINISCAN (UVS): N 3728.2 (STEP 313) [EVEN FRAMES],</p>					
Design Detail					
PSID	RIM:mf	CDS	PA		
384BB	0	0		COMMENT [UVS RIM 0]	
61BB	2	37		LOOPER [LOOP PERIOD 60, NUM LOOPS 5]	
157BC	3	38		CMDRS (10+14*2) [PLAN DUR 31, EST UVS CMDS 2]	
349BL	3:69	28		UVFLUSH [6UVRT, DISCRD, UVS]	
165BB	4	36		TARGET [CONE 103.63, CLOCK 88.90]	
	4			34UVS,D3,F,N,N,N,S,0,OFF,ON,ON,ON,OFF,NO,1,D5,4E,05,63 [22STEP N/G]	
349BM	32:69	140		UVFLUSH (28*5) [6UVRT, PACKET, UVS]	
	34			34UVS,C1,F,N,N,N,S,0,OFF,ON,OFF,ON,OFF,NO,1,65,06,00,7B [1STEP N/N]	
349BN	62:69	140		UVFLUSH (28*5) [6UVRT, PACKET, UVS]	
...BV				... [REPEAT 4 ADDITIONAL TIMES]	
157BD	303	24		CMDRS (10+14*1) [PLAN DUR 1, EST UVS CMDS 1]	
	304			34UVS,C1,F,N,N,N,S,0,OFF,OFF,ON,OFF,OFF,NO,1,2C,05,00,00 [HVOFF]	

GA

4



Start UTC_TIME : 1996-308 // 09:06:18.390
 No End Time :
 Start SCLK : 1/03681494:00:0:0

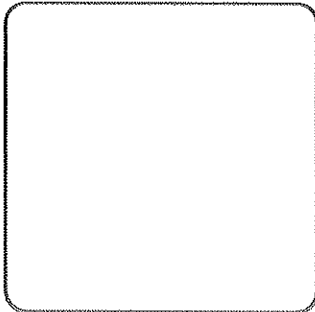
Target Body : JUPITER
 Target Cone/Clock : 111.99 / 88.49 Deg
 S/C to Body Center : 2597253. Km (36.329280 Ri)
 Z-axis Pointing (Ra / Dec) : 102.80 / 25.00 Deg

Activity ID: Orbit C3		OAPEL NUGRATNG		SeqNo 02-	
Title		UVS GRATING MOVEMENT 2		Instrument UVS	
Requestor		UVS-MWG/S.STEPHENS		Team UVS	
				Working Group MWG	
Time System CDS		Load ID C3B		Calendar Date 11/21/96	
				Week 47	
Start		JEE+CDS 00021217:00:0		96-326/11:00:27.599	
				JEE+014/21:32:44.666	
End		JEE+CDS 00021279:00:0		96-326/12:03:08.933	
				JEE+014/22:35:26.000	
Duration		00000062:00:0		000/01:02:41.334	
				000/01:02:41.334	
Top Label		C3NUGRATNG02-			
Bottom Label		(UVS Grating Movement)			
Plot Key		UVS		Type SCI	
CDS Bytes		94		Report Options BOTH	
				Scan Platform No	
CDS Source		PA		Spin State DUAL	
				DMS No	
Observation Objective					
<div style="border: 1px solid black; padding: 5px;"> <p>UVS REQUIRED GRATING MOVEMENT 2 To comply with Flight Rule 34A05 (UVS Power On) in the C3 Cruise sequences, the UVS grating must be moved at least every two weeks. The UVS Team prefers that we exercise the UVS grating every week, so we are implementing this 2 times in C3B and 2 times in C3C. The FULLSCAN G instrument command will exercise the grating, with HVOFF. One UVFLUSH to PACKET UVS is performed to verify the health and safety of the instrument during the long cruise portion of the orbit.</p> </div>					
Design Detail					
PSID	RIM:mf	CDS	PA		
384BD	0	0		COMMENT [UVS RIM 0]	
157BF	1	38		CMDRS {10+14*2} [PLAN DUR 61, EST UVS CMDS 2]	
349KA	1:69	28		UVFLUSH [6UVRT, DISCRD, UVS]	
				2 34UVS,07,S,N,N,N,S,0,OFF,OFF,ON,OFF,OFF,NO,1,2C,9D,00,00 [FULLSCAN G]	
349KB	60:69	28		UVFLUSH [6UVRT, PACKET, UVS]	
				62 34UVS,C1,F,N,N,N,S,0,OFF,OFF,ON,OFF,OFF,NO,1,2C,05,00,00 [HVOFF]	

Activity ID: Orbit C3	OAPEL HUE4UCAL	SeqNo 01-
Title	UVS STAR CALIBRATION, E4 INBOUND	Instrument UVS
Requestor	UVS-MWG/S.STEPHENS	Team UVS
		Working Group MWG
Time System CDS	Load ID C3C	Calendar Date 12/09/96
		Week 50
Start	JEE+CDS 00046778:00:0	96-344/09:45:28.266
		JEE+032/20:17:45.333
End	JEE+CDS 00046933:00:0	96-344/12:22:11.599
		JEE+032/22:54:28.666
Duration	00000155:00:0	000/02:36:43.333
		000/02:36:43.333

Top Label	C3HUE4UCAL01-		
Bottom Label	(UVS Star Calibration)		
Plot Key	UVS	Type	SCI
CDS Bytes	353	Report Options	BOTH
CDS Source	PA	Spin State	DUAL
		Scan Platform	Yes
		DMS	No

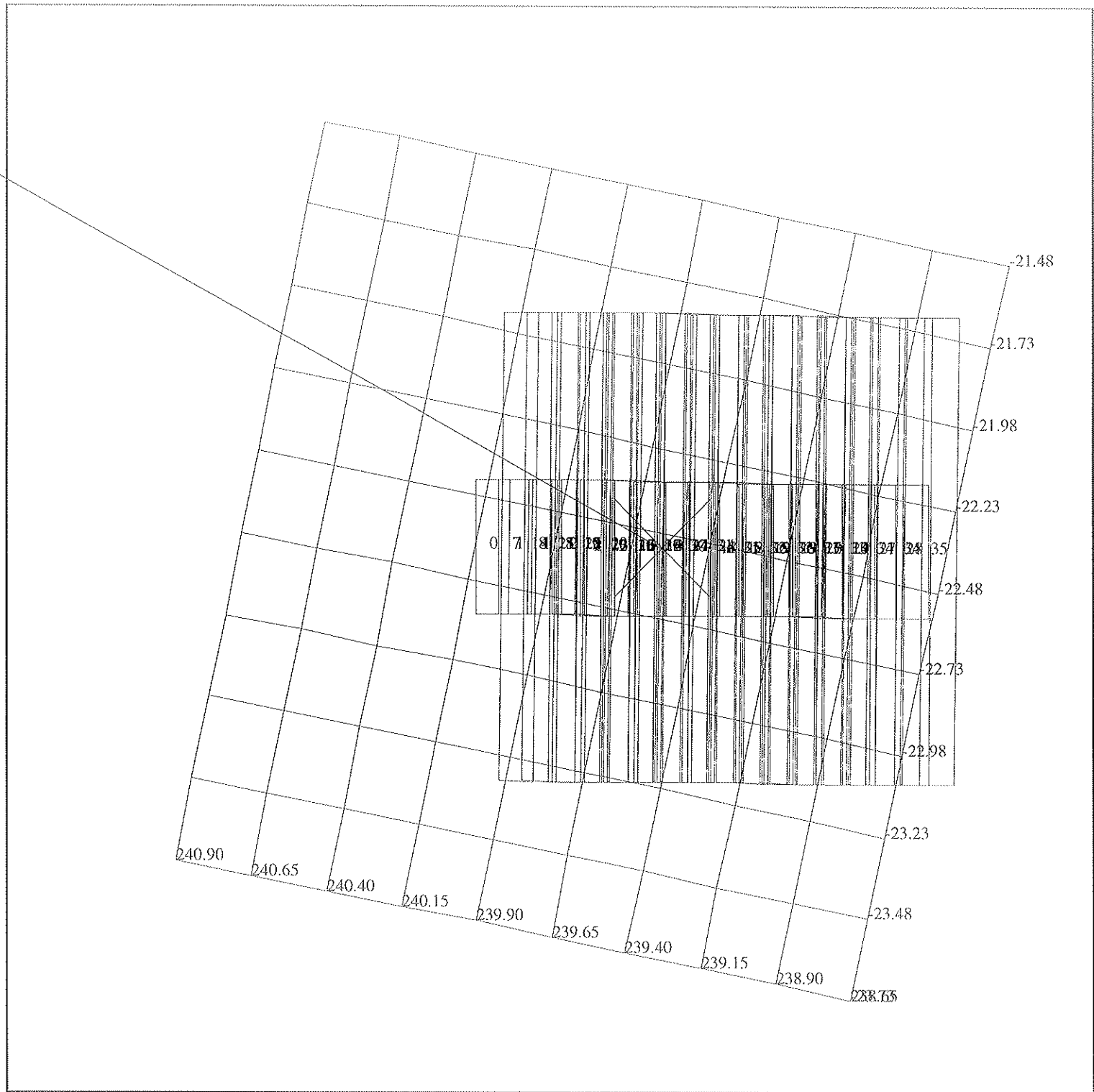
Observation Objective



UVS ABSOLUTE STAR CALIBRATION, E4 INBOUND (MID-TOUR):
 Target: Delta Scorpii, RA 239.34, Dec -22.48
 Slewing: 5 30-RIM slews (0.01 mrad/sec), at fixed clock angle
 Data rate: Instrument states last 30 RIMS; thus, 9.73 bps UVS
 OPTRIM/UVFLUSH STRATEGY (17.712 bits per UVS or EUV PACKET):
 UVS deselected; thus, 30-RIM UVFLUSHes needed to PACKET UVS, after
 initial DISCRD
 WAVELENGTHS (Angstroms):
 Emission lines: UVS (H2 1253, H2 1611)
 FULLSCAN F/G (UVS): F 1616.5-3227.9 (CTR 2436.8, STEP 264) [EVEN
 FRAMES],
 G 1131.5-1920.1 (CTR 1534.7, STEP 264) [ODD
 FRAMES]

Design Detail

PSID	RIM:mf	CDS	PA
384LB	0	0	COMMENT [UVS RIM 0]
432BC	4	74	OPTRIM [UVS EXCLUDE, EUV EXCLUDE, AACCS INCLUDE]
157KF	4	38	CMDRS (10+14*2) [PLAN DUR 151, EST UVS CMDS 2]
349PL	4:69	28	UVFLUSH [6UVRT, DISCRD, UVS]
165BR	5	36	TARGET [RA 239.34, DEC -22.48, CONE OFFSET 9.15 MILLIRADIANS]
117BA	5	37	CSMOS (10+14+13*1) [PLAN DUR 150, EST TOT STRP 5, OBS SLEW RATE 0.01] SUBCSMOS [STRIP DUR 29, REPOS DUR 1, CONE DEL R 17.5, CONE DEL S -17.5] 34UVS, 07, S, N, N, N, S, 0, ON, OFF, ON, ON, OFF, NO, 1, 00, 9C, 01, 2C [FULLSCAN F/G]
349PM	33:69	28	UVFLUSH [6UVRT, PACKET, UVS]
349PN	63:69	28	UVFLUSH [6UVRT, PACKET, UVS]
349PO	93:69	28	UVFLUSH [6UVRT, PACKET, UVS]
349PP	123:69	28	UVFLUSH [6UVRT, PACKET, UVS]
349PQ	153:69	28	UVFLUSH [6UVRT, PACKET, UVS]
	155		34UVS, C1, F, N, N, N, S, 0, OFF, OFF, ON, OFF, OFF, NO, 1, 2C, 05, 00, 00 [HVOFF]



165BR:TT= 0 TMC= 1 C= 9.15 XC= 0.00 BS= 0/8277 TC=15(-22.48 239.34)
 A= 728 pD= 27300 SR=17.450 RA50=239.90 DEC50=-22.58 cone=135.02 clock= 89.08
 117BA:#SB= 1 OR= 0.010 RR=12.000 BM=F RC= 1 BS= 0/8277
 1:#s= 5 Cs= -17.50 XCs= 0.00 Cr= 17.50 XCr= 0.00 sD= 5278 rD= 182

F_R_O_Z_E_N__T_M_C

DESIGN G2.0 lisac:10/14/1996 14: 9:19

FILE:P.C3HUE4UCAL01

CENTRAL BODY:JUPITER III

MINI:m.C3HUE4UCAL01

S 'H:/DATA/NAVIO/T-960909-TOUR.NS

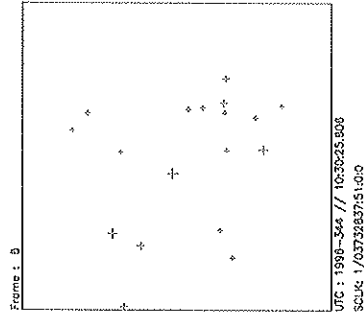
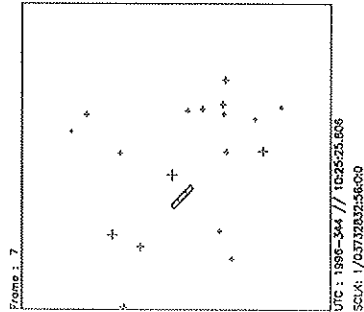
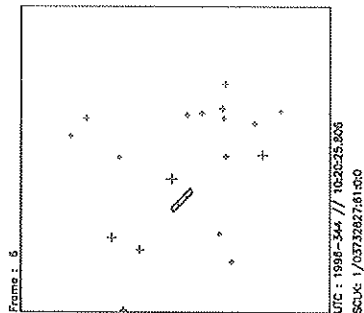
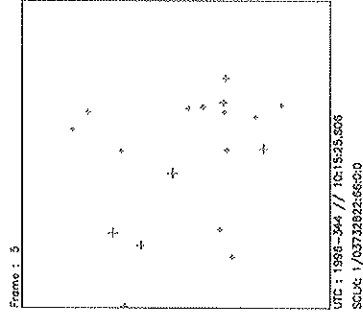
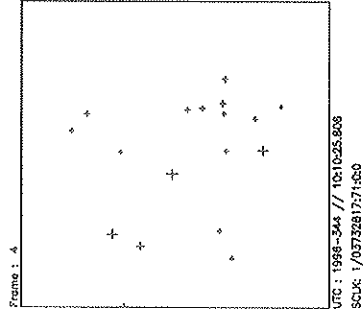
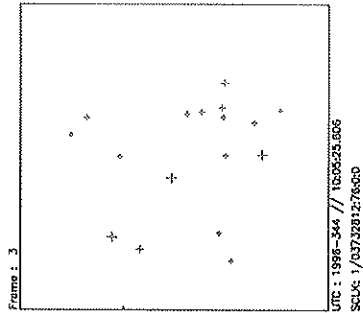
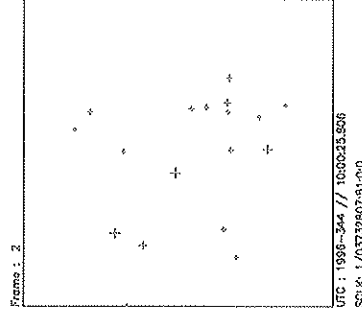
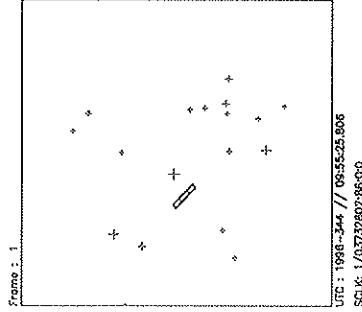
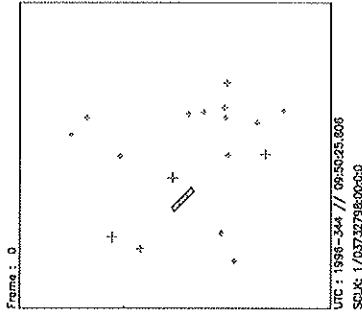
PERIAPSIS:

THINNING: :UVS 10

START:JEE 96-311/13:27:42.933 +CDS 46783:00:0 BODY PLOT TIME:CENTER-TIME D=27300 S= 0.500

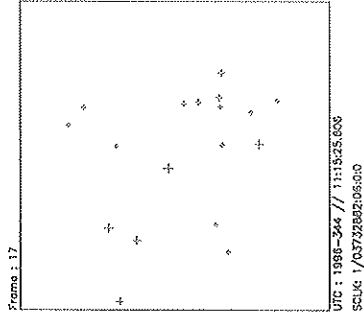
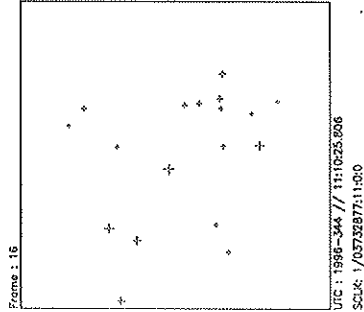
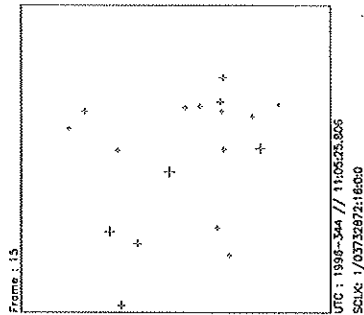
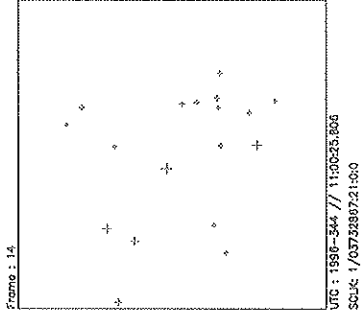
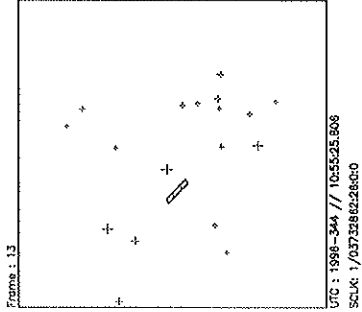
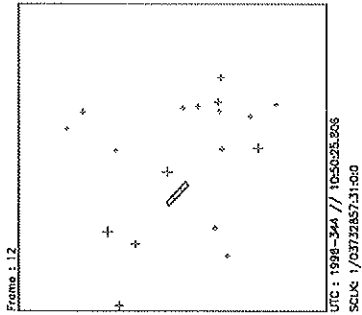
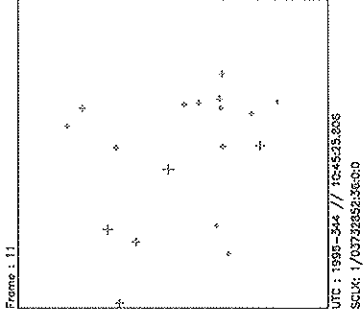
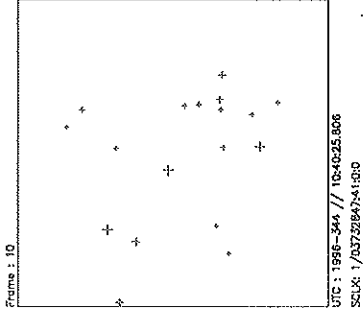
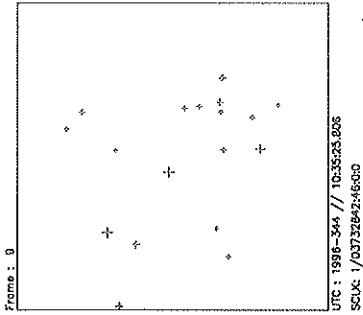
OBSERVATION:C3HUE4UCAL01

DESCRIP:UVS_STAR_CAL_E4_INBOUND



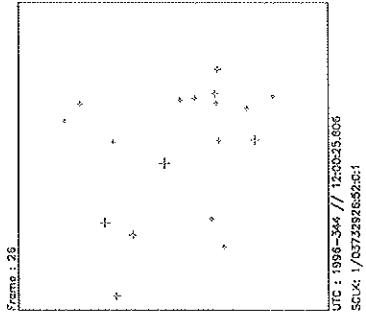
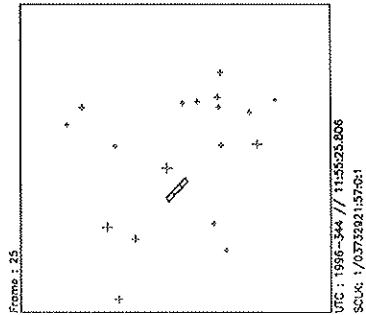
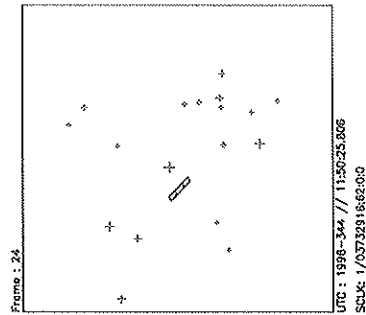
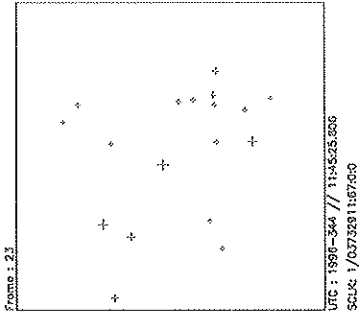
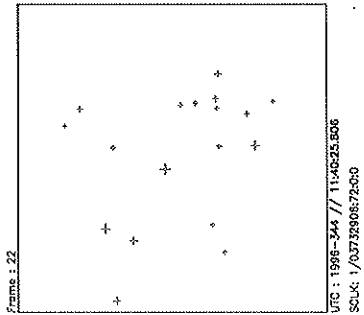
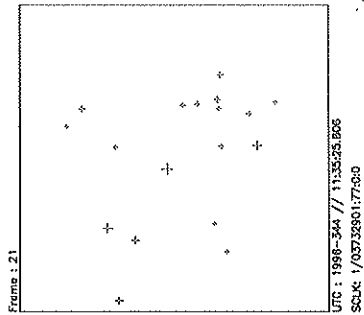
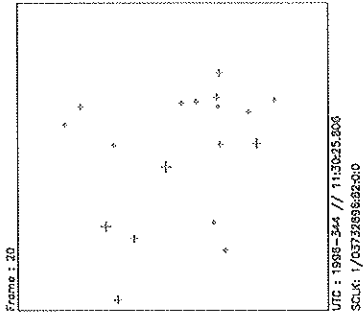
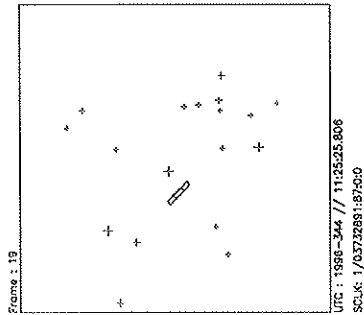
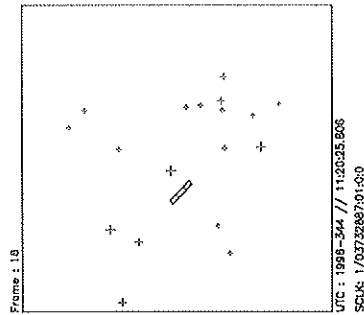
Start UTC_TIME : 1996-344 // 09:50:25.806
 End UTC_TIME : 1996-344 // 12:22:05.801
 Start SCLK : 1/03732798:00:0
 Delta Time between FOV : 300.0000
 FOVs : F Channel(0.1x0.4), N/G Channel(0.5x0.5)

Target Body : JUPITER
 Target Ra/Dec : 185.57 / -3.83 Deg
 S/C to Body Center : 5024948. Km (70.286856 Rj)
 Z-axis Pointing (Ra / Dec) : 109.00 / 23.40 Deg



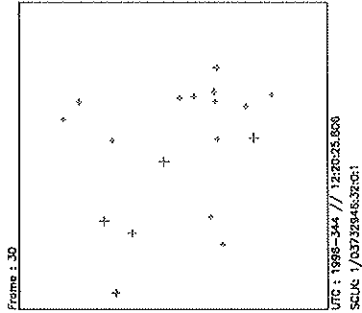
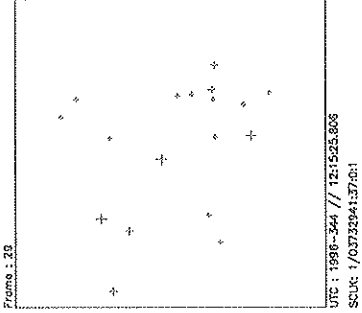
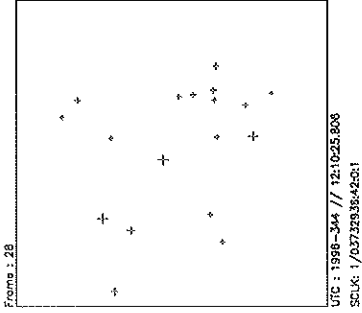
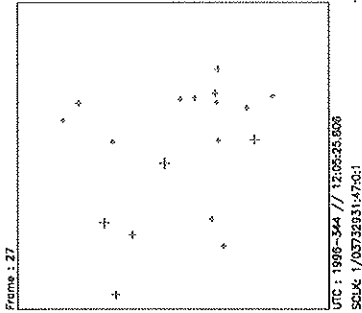
Start UTC_TIME : 1996-344 // 09:50:25.806
End UTC_TIME : 1996-344 // 12:22:05.801
Start SCLK : 1/0373279800000
Delta Time between FOV : 300.0000
FOVs : F Channel(0.1x0.4), N/G Channel(0.5x0.5)

Target Body : JUPITER
Target Ra/Dec : 185.64 / -3.86 Deg
S/C to Body Center : 5017099, Km (70.177064 Rj)
Z-axis Pointing (Ra / Dec) : 109.00 / 23.40 Deg



Start UTC.TIME : 1996-344 // 09:50:25.806
End UTC.TIME : 1996-344 // 12:22:05.801
Start SCLK : 1/03732798:00:00
Delta Time between FOV : 300.0000
FOVs : F Channel(0.1x0.4), N/G Channel(0.5x0.5)

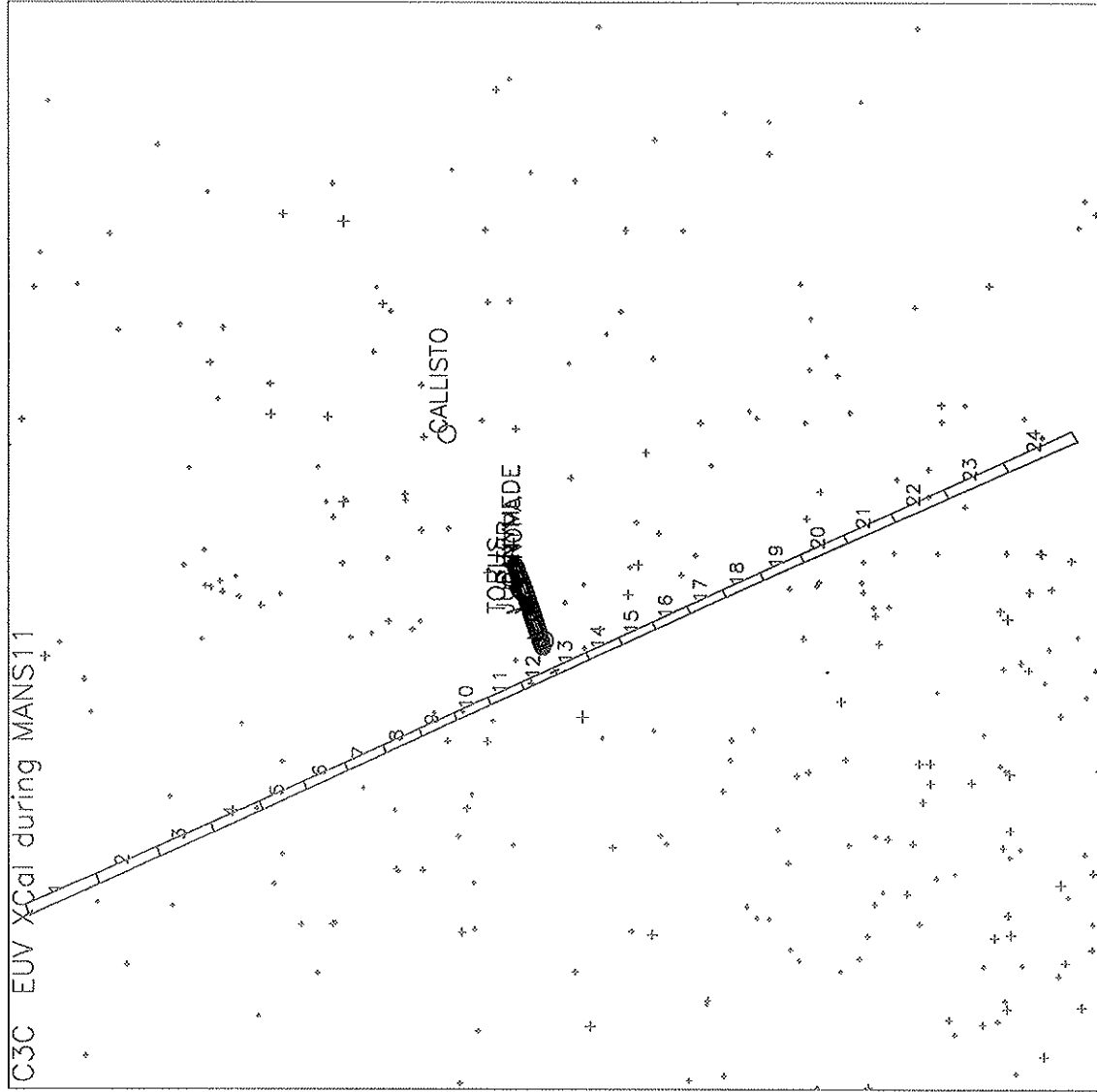
Target Body : JUPITER
Target Ra/Dec : 185.71 / -3.90 Deg
S/C to Body Center : 509221. Km (70.066877 Rj)
Z-axis Pointing (Ra / Dec) : 109.00 / 23.40 Deg



Start UTC_TIME : 1996-344 // 09:50:25.806
End UTC_TIME : 1996-344 // 12:22:05.801
Start SCLK : 1/03732798:00:0:0
Delta Time between FOV : 300.0000
FOVs : F Channel(0.1x0.4), N/G Channel(0.5x0.5)

Target Body : JUPITER
Target Ra/Dec : 185.78 / -3.93 Deg
S/C to Body Center : 5001315. Km (69.956296 Rj)
Z-axis Pointing (Ra / Dec) : 109.00 / 23.40 Deg

Wed Oct 16 18:36:47 1996



Start UTC_TIME : 1996-345 // 13:01:21.079
No End Time :
Start SCLK : 1/03734411:00:00

Target Body : JUPITER
Target Ra/Dec : 188.21 / -5.04 Deg
S/C to Body Center : 4722001. Km (66.0493559 RJ)
Z-axis Pointing (Ra / Dec) : 109.00 / 23.40 Deg

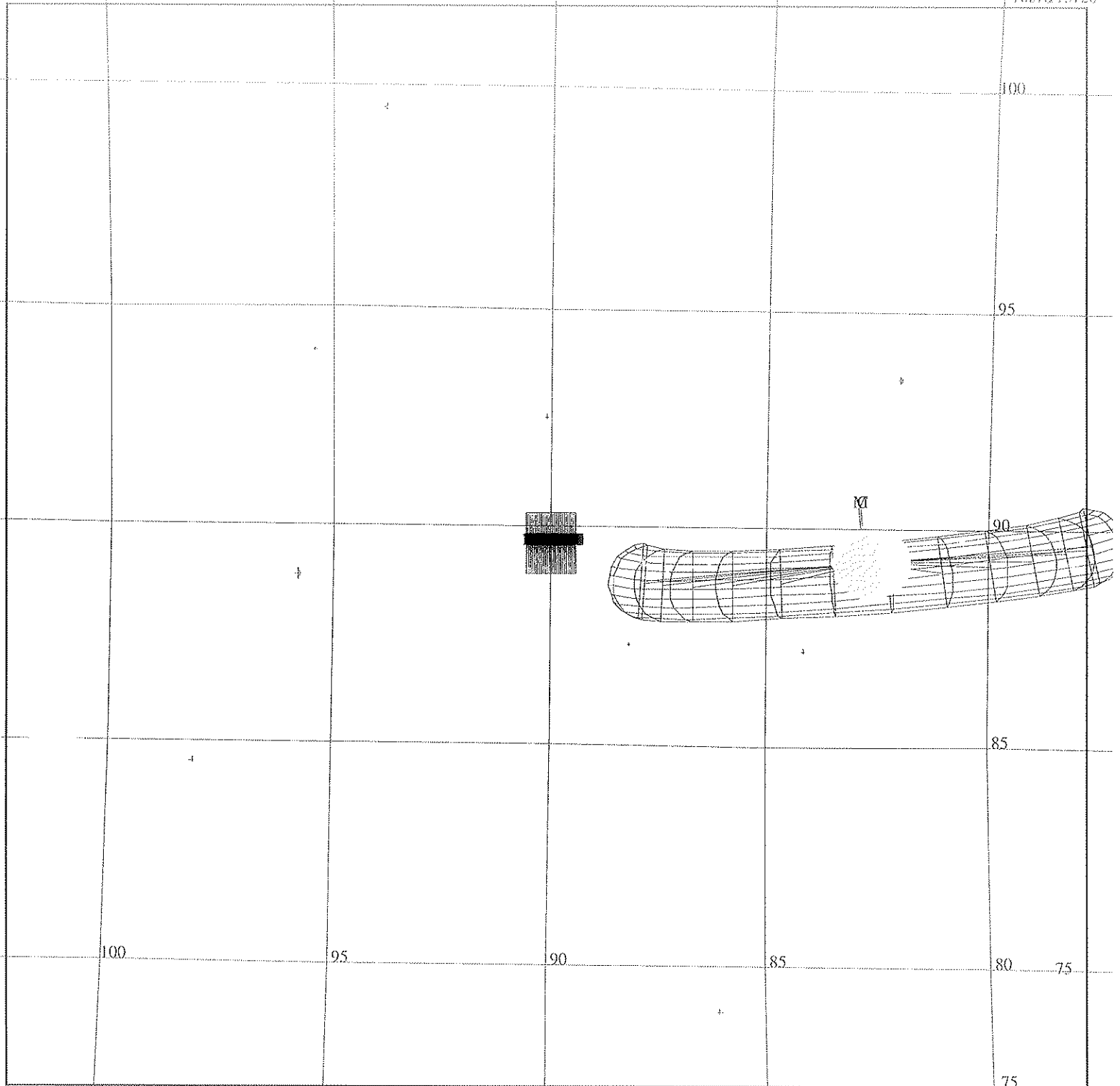
Activity ID:	Orbit C3	OAPEL TUE4MANS	SeqNo	11-
Title	UVS/EUV MDNT ANSA MAP 1-1, LO RT E4 INBD		Instrument	UVS
Requestor	UVS-MWG/S.STEPHENS	Team	UVS	Working Group MWG
Time System	CDS	Load ID	C3C	Calendar Date 12/10/96 Week 50
Start	JEE+CDS 00048392:00:0		96-345/12:57:24.266	JEE+033/23:29:41.333
End	JEE+CDS 00048997:00:0		96-345/23:09:07.599	JEE+034/09:41:24.666
Duration	00000605:00:0		000/10:11:43.333	000/10:11:43.333
Top Label	C3TUE4MANS11-			
Bottom Label	(UVS/EUV RTS Torus)			
Plot Key	UVS	Type	SCI	
CDS Bytes	497	Report Options	BOTH	Scan Platform Yes
CDS Source	PA	Spin State	DUAL	DMS No
Observation Objective				
<p>UVS/EUV IO TORUS MIDNIGHT ANSA MAP 1 (PART 1), LOW RATE, E4 INBOUND (incl. 120-RIM XCAL): From: 9.09 Rj (Europa) at cone 90 (ribbon at 5.76 Rj, Sys III W Long 61) To: 7.55 Rj at cone 90 Data rate: Instrument states last 60 RIMS; thus, 4.87 bps UVS, 4.87 bps EUV OPTRTM/UVFLUSH STRATEGY (17,712 bits per UVS or EUV PACKET): UVS/EUV deselected; thus, 60-RIM UVFLUSHes needed to PACKET BOTH, after initial DISCRD WAVELENGTHS (Angstroms): Emission lines: EUV (S++ 685, S+ 765, O+ 834, H2 1216), UVS (S++ 1194, H2 1216, S+ 1259) 1POSN-66STEP G MINISCAN (UVS): G 1174.9-1275.2 (CTR 1225.9, STEP 61) [BOTH FRAMES] Strategy for MINISCANS: Use 66STEP G for S lines, in place of 16STEP N/N and 22STEP N/G</p>				
Design Detail				
PSID	RIM:mF	CDS	PA	
384BH	-2	0		COMMENT [UVS RIM 0]
176BA	-2	15		SCITLM [PAUSE PB]
157KE	4	24		CMDRS (10+14*1) [PLAN DUR 1, EST UVS CMDS 1]
349KC	4:69	28		UVFLUSH [6UVRT, DISCRD, BOTH]
165BQ	5	36		TARGET [CONE 90.00, CLOCK 89.60], UTILITY [7CONE/7STAT, SCAN TYPE 6]
	5			34UVS,DD,F,N,N,N,S,0,OFF,OFF,ON,ON,OFF,NO,1,48,75,00,00 [66STEP G]
176BB	7	15		SCITLM [RESUME PB]
349KD	63:69	28		UVFLUSH [6UVRT, PACKET, BOTH]
61BC	123	37		LOOPER [LOOP PERIOD 120, NUM LOOPS 4]
349KE	123:69	28		UVFLUSH [6UVRT, PACKET, BOTH]
157BI	124	38		CMDRS (10+14*2) [PLAN DUR 61, EST UVS CMDS 2]
	124			34UVS,DD,F,N,N,N,S,0,OFF,OFF,ON,ON,OFF,NO,1,48,75,00,00 [66STEP G]
349KF	183:69	112		UVFLUSH (28*4) [6UVRT, PACKET, BOTH]
	184			34UVS,DD,F,N,N,N,S,0,OFF,OFF,ON,ON,OFF,NO,1,48,75,00,00 [66STEP G]
349KG	243:69	112		UVFLUSH (28*4) [6UVRT, PACKET, BOTH]
...KK, PA, PB				... [REPEAT 3 ADDITIONAL TIMES]
157BJ	604	24		CMDRS (10+14*1) [PLAN DUR 1, EST UVS CMDS 1]
	605			34UVS,C1,F,N,N,N,S,0,OFF,OFF,ON,OFF,OFF,NO,1,2C,05,00,00 [HVOFF]

After 96-345/15:08 - the spacecraft changed to scan-type 3 to facilitate SSI Downlink. Therefore, data after this time will be incorrect.

Activity ID: Orbit C3		OAPEL TUE4MANS		SeqNo 12-	
Title		UVS/EUV MDNT ANSA MAP 1-2, LO RT E4 INBD		Instrument UVS	
Requestor		UVS-MWG/S.STEPHENS		Team UVS	
				Working Group MWG	
Time System CDS		Load ID C3C		Calendar Date 12/11/96	
				Week 50	
Start		JEE+CDS 00049127:00:0		96-346/01:20:34.266	
				JEE+034/11:52:51.333	
End		JEE+CDS 00049609:00:0		96-346/09:27:55.599	
				JEE+034/20:00:12.666	
Duration		00000482:00:0		000/08:07:21.333	
				000/08:07:21.333	
Top Label		C3TUE4MANS12-			
Bottom Label		(UVS/EUV RTS Torus)			
Plot Key		UVS		Type SCI	
CDS Bytes		406		Report Options BOTH	
				Scan Platform Yes	
CDS Source		PA		Spin State DUAL	
				DMS No	
Observation Objective					
<div style="border: 1px solid black; padding: 5px;"> <p>UVS/EUV IO TORUS MIDNIGHT ANSA MAP 1 (PART 2), LOW RATE, E4 INBOUND: From: 7.20 Rj (Europa) at cone 90 (ribbon at 5.76 Rj, Sys III W Long 61) To: 5.95 Rj at cone 90 Data rate: Instrument states last 60 RIMS; thus, 4.87 bps UVS, 4.87 bps EUV OPTRTM/UVFLUSH STRATEGY (17,712 bits per UVS or EUV PACKET): UVS/EUV deselected; thus, 60-RIM UVFLUSHes needed to PACKET BOTH, after initial UVFLUSHes WAVELENGTHS (Angstroms): Emission lines: UVS (S++ 1194, S+ 1259), EUV (S++ 685, S+ 765, O+ 834) 1POSN-66STEP G MINISCAN (UVS): G 1174.9-1275.2 (CTR 1225.9, STEP 61) [BOTH FRAMES] Strategy for MINISCANS: Use 66STEP G for S lines, in place of 16STEP N/N and 22STEP N/G</p> </div>					
Design Detail					
PSID	RIM:mf	CDS	PA		
384BI	0	0		COMMENT [UVS RIM 0]	
61BD	0	37		LOOPER [LOOP PERIOD 120, NUM LOOPS 4]	
349KL	0:69	28		UVFLUSH [6UVRT, PACKET, EUV]	
157BK	1	38		CMDRS (10+14*2) [PLAN DUR 61, EST UVS CMDS 2]	
349KM	1:69	28		UVFLUSH [6UVRT, DISCRD, UVS]	
165BD	2	36		TARGET [CONE 90.00, CLOCK 89.60], UTILITY [7CONE/7STAT, SCAN TYPE 6]	
	2			34UVS,DD,F,N,N,N,S,0,OFF,OFF,ON,ON,OFF,NO,1,48,75,00,00 [66STEP G]	
176BD	4	15		SCITLM [RESUME PB]	
349KN	60:69	112		UVFLUSH (28*4) [6UVRT, PACKET, BOTH]	
	62			34UVS,DD,F,N,N,N,S,0,OFF,OFF,ON,ON,OFF,NO,1,48,75,00,00 [66STEP G]	
349KO	120:69	112		UVFLUSH (28*4) [6UVRT, PACKET, BOTH]	
...KU				... [REPEAT 3 ADDITIONAL TIMES]	

Activity ID: Orbit C3		OAPEL TUE4MANS		SeqNo 02-	
Title	UVS/EUV MDNT ANSA MAP 2, HI RATE E4 INBD			Instrument	UVS
Requestor	UVS-MWG/S.STEPIENS	Team	UVS	Working Group	MWG
Time System	CDS	Load ID	C3C	Calendar Date	12/11/96
				Week	50
Start	JEE+CDS 00049609:00:0		96-346/09:27:55.599		JEE+034/20:00:12.666
End	JEE+CDS 00049729:00:0		96-346/11:29:15.599		JEE+034/22:01:32.666
Duration	00000120:00:0		000/02:01:20.000		000/02:01:20.000
Top Label	C3TUE4MANS02-				
Bottom Label	(UVS/EUV RTS Torus)				
Plot Key	UVS	Type	SCI		
CDS Bytes	192	Report Options	BOTH	Scan Platform	Yes
CDS Source	PA	Spin State	DUAL	DMS	No
Observation Objective					
<div style="border: 1px solid black; padding: 5px;"> <p>UVS/EUV IO TORUS MIDNIGHT ANSA MAP 2, HIGH RATE (RIBBON), E4 INBOUND: From: 5.95 Rj at cone 90 (ribbon at 5.76 Rj, Sys III W Long 61) To: 5.64 Rj at cone 90 Data rate: Instrument states last 30 RIMS; thus, 9.73 bps UVS, 9.73 bps EUV OPTRTM/UVFLUSH STRATEGY (17,712 bits per UVS or EUV PACKET): UVS/EUV deselected; thus, 30-RIM UVFLUSHes needed to PACKET BOTH WAVELENGTHS (Angstroms): Emission lines: UVS (S++ 1194, S+ 1259), EUV (S++ 685, S+ 765, O+ 834) 1POSN-66STEP G MINISCAN (UVS): G 1174.9-1275.2 (CTR 1225.9, STEP 61) [BOTH FRAMES] Strategy for MINISCANS: Use 66STEP G for S lines, in place of 16STEP N/N and 22STEP N/G</p> </div>					
Design Detail					
PSID	RIM:mf	CDS	PA		
384BJ	-1	0		COMMENT [UVS RIM 0]	
157BL	-1	80		CMDRS (10+14*5) [PLAN DUR 121, EST UVS CMDS 5]	
		0		34UVS,DD,F,N,N,N,S,0,OFF,OFF,ON,ON,OFF,NO,1,48,75,00,00 [66STEP G]	
349KV	28:69	28		UVFLUSH [6UVRT, PACKET, BOTH]	
		30		34UVS,DD,F,N,N,N,S,0,OFF,OFF,ON,ON,OFF,NO,1,48,75,00,00 [66STEP G]	
349KW	58:69	28		UVFLUSH [6UVRT, PACKET, BOTH]	
		60		34UVS,DD,F,N,N,N,S,0,OFF,OFF,ON,ON,OFF,NO,1,48,75,00,00 [66STEP G]	
349KX	88:69	28		UVFLUSH [6UVRT, PACKET, BOTH]	
		90		34UVS,DD,F,N,N,N,S,0,OFF,OFF,ON,ON,OFF,NO,1,48,75,00,00 [66STEP G]	
349KY	118:69	28		UVFLUSH [6UVRT, PACKET, BOTH]	
		120		34UVS,C1,F,N,N,N,S,0,OFF,OFF,ON,OFF,OFF,NO,1,2C,05,00,00 [HVOFF]	

Activity ID: Orbit C3	OAPEL TUE4MANS		SeqNo 03-
Title	UVS/EUV MDNT ANSA MAP 3, LO RATE E4 INBD	Instrument	UVS
Requestor	UVS-MWG/S.STEPHENS	Team UVS	Working Group MWG
Time System CDS	Load ID C3C	Calendar Date 12/11/96	Week 50
Start	JEE+CDS 00049828:00:0	96-346/13:09:21.599	JEE+034/23:41:38.666
End	JEE+CDS 00050013:00:0	96-346/16:16:24.933	JEE+035/02:48:42.000
Duration	00000185:00:0	000/03:07:03.334	000/03:07:03.334
Top Label	C3TUE4MANS03-		
Bottom Label	(UVS/EUV RTS Torus)		
Plot Key	UVS	Type	SCI
CDS Bytes	272	Report Options	BOTH
CDS Source	PA	Spin State	DUAL
		Scan Platform	Yes
		DMS	No
Observation Objective			
<p>UVS/EUV IO TORUS MIDNIGHT ANSA MAP 3, LOW RATE, E4 INBOUND: From: 5.37 Rj at cone 90 (ribbon at 5.76 Rj, Sys III W Long 61) To: 4.90 Rj (inside ribbon) at cone 90 Data rate: Instrument states last 60 RIMS; thus, 4.87 bps UVS, 4.87 bps EUV OPTRM/UVFLUSH STRATEGY (17,712 bits per UVS or EUV PACKET): UVS/EUV deselected; thus, 60-RIM UVFLUSHes needed to PACKET BOTH, after initial UVFLUSHes WAVELENGTHS (Angstroms): Emission lines: UVS (S++ 1194, S+ 1259), EUV (S++ 685, S+ 765, O+ 834) 1POSN-66STEP G MINISCAN (UVS): G 1174.9-1275.2 (CTR 1225.9, STEP 61) [BOTH FRAMES] Strategy for MINISCANS: Use 66STEP G for S lines, in place of 16STEP N/N and 22STEP N/G</p>			
Design Detail			
PSID	RIM:mf	CDS PA	
384BK	-2	0	COMMENT [UVS RIM 0]
176BE	-2	15	SCITLM [PAUSE PB]
349KZ	3:69	28	UVFLUSH [6UVRT, PACKET, EUV]
157BM	4	66	CMDRS (10+14*4) [PLAN DUR 181, EST UVS CMDS 4]
349LA	4:69	28	UVFLUSH [6UVRT, DISCRD, UVS]
165BE	5	36	TARGET [CONE 90.00, CLOCK 89.60], UTILITY [7CONE/7STAT, SCAN TYPE 6]
176BF	6	15	34UVS,DD,F,N,N,N,S,0,OFF,OFF,ON,ON,OFF,NO,1,48,75,00,00 [66STEP G]
349LB	63:69	28	SCITLM [RESUME PB]
	65		UVFLUSH [6UVRT, PACKET, BOTH]
349LC	123:69	28	34UVS,DD,F,N,N,N,S,0,OFF,OFF,ON,ON,OFF,NO,1,48,75,00,00 [66STEP G]
	125		UVFLUSH [6UVRT, PACKET, BOTH]
349LD	183:69	28	34UVS,DD,F,N,N,N,S,0,OFF,OFF,ON,ON,OFF,NO,1,48,75,00,00 [66STEP G]
	185		UVFLUSH [6UVRT, PACKET, BOTH]
			34UVS,C1,F,N,N,N,S,0,OFF,OFF,ON,OFF,OFF,NO,1,2C,05,00,00 [HVOFF]



165BQ:TT= 0 TMC= 1 C= 0.00 XC= 0.00 BS=0/2025 TC= 2(90 89.6)
 A= 728 pD= 87360 SR=17.450 RA50=195.55 DEC50=-7.91 cone= 90.00 clock= 89.60

DESIGN G2.0 lisac:10/14/1996 14:59:50

FILE:P.C3TUE4MANS11

CENTRAL BODY:JUPITER III

MINI:m.C3TUE4MANS11

S 'H:/DATA/NAVIO/T-960909-TOUR.NS

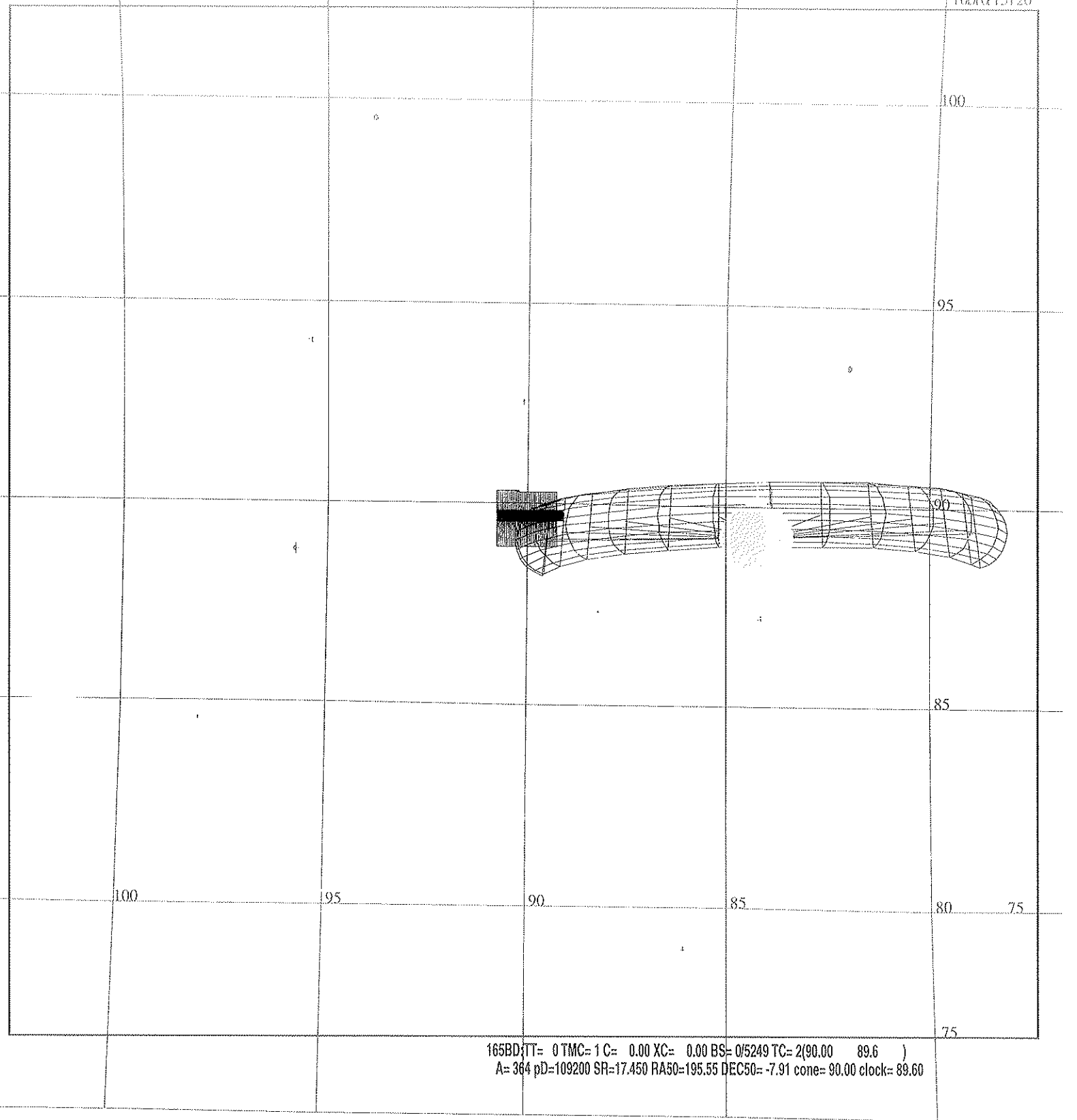
PERIAPSIS:

THINNING: :UVS 10

START:JEE 96-311/13:27:42.933 +CDS 48397:00:0 BODY PLOT TIME:CENTER-TIME D=87360 S= 0.070

OBSERVATION:C3TUE4MANS11

DESCRIP:UVS-EUV_CROSS_CALIBRATION_E4_INB



165BD;TT= 0 TMC= 1 C= 0.00 XC= 0.00 BS= 0/5249 TC= 2(90.00 89.6)
 A= 364 pD=109200 SR=17.450 RA50=195.55 DEC50= -7.91 cone= 90.00 clock= 89.60

DESIGN G2.0 lisac:10/14/1996 15:12:34

FILE:P.C3TUE4MANS12

CENTRAL BODY:JUPITER III

MINI:m.C3TUE4MANS12

S H:/DATA/NAVIO/T-960909-TOUR.NS

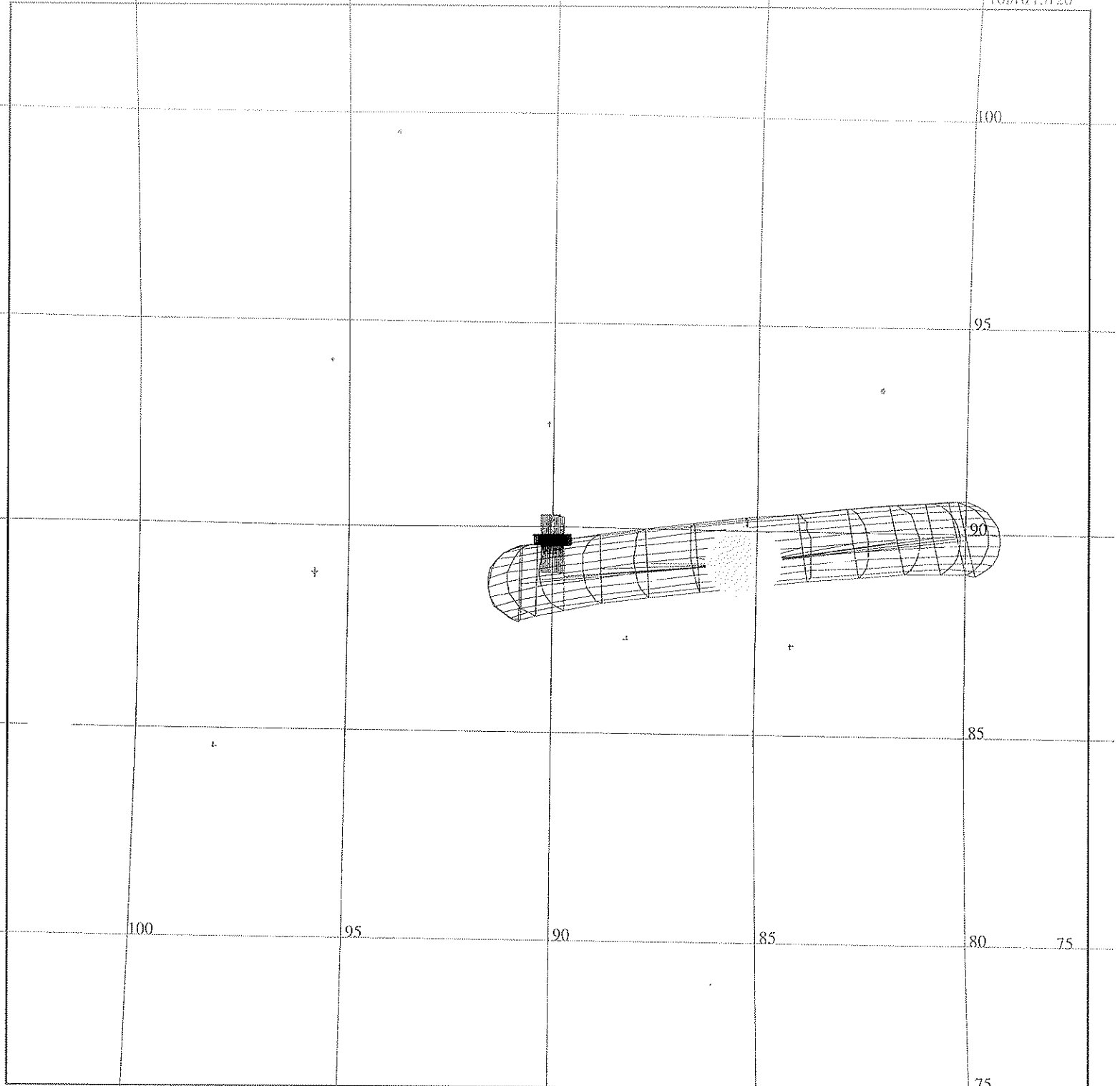
PERIAPSIS:

THINNING: :UVS 10

START:JEE 96-311/13:27:42.933 +CDS 49129:00:0 BODY PLOT TIME:CENTER-TIME D=**** S= 0.070

OBSERVATION:C3TUE4MANS12

DESCRIP:UVS/EUV MIDNITE ANSA E4 INBND 1B



165BE:TT= 0 TMC= 1 C= 0.00 XC= 0.00 BS= 0/3377 TC= 2(90.00 89.6)
 A= 728 pD= 32760 SR=17.450 RA50=195.55 DEC50=-7.91 cone= 90.00 clock= 89.60

F R O Z E N _ T M C

DESIGN G2.0 lisac:10/14/1996 14:20:22

FILE:P.C3TUE4MANS03

CENTRAL BODY:JUPITER III

MINI:m.C3TUE4MANS03

PH:/DATA/NAVIO/T-960909-TOUR.NS

PERIAPSIS:

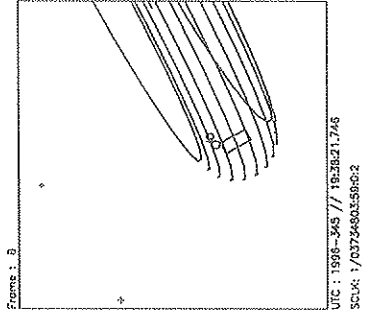
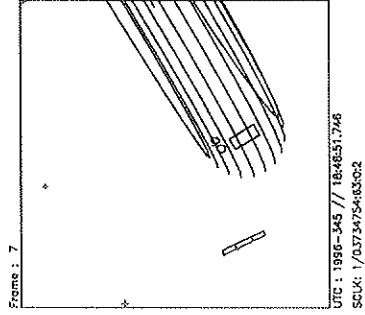
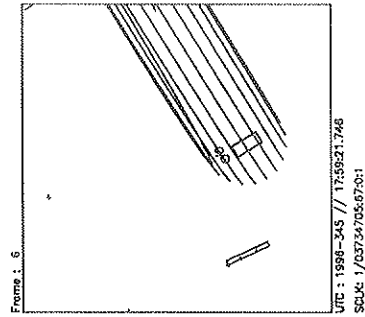
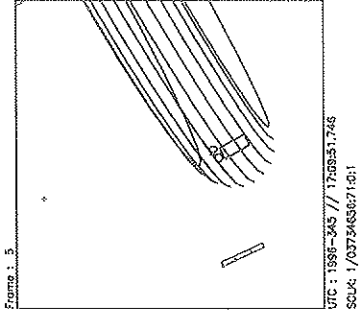
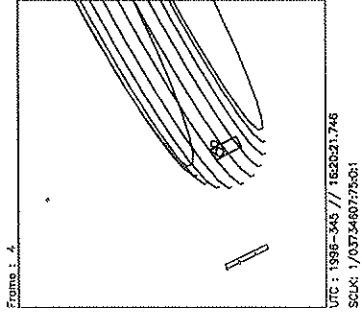
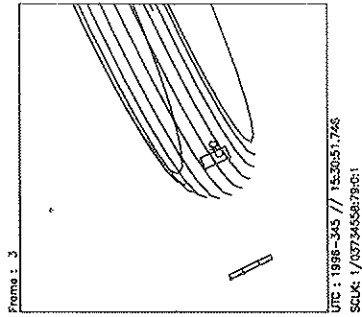
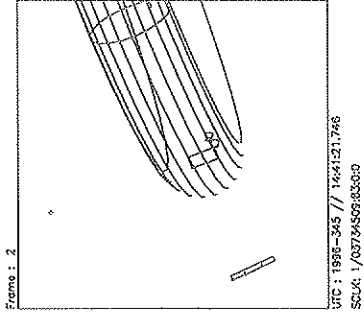
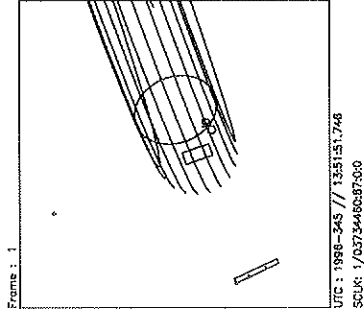
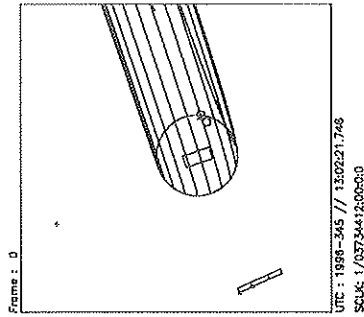
THINNING: :UVS 10

START:JEE 96-311/13:27:42.933 +CDS 49833:00:0

BODY PLOT TIME:CENTER-TIME D=32760 S= 0.070

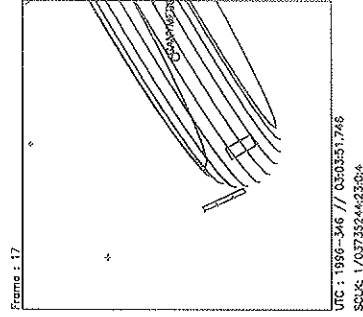
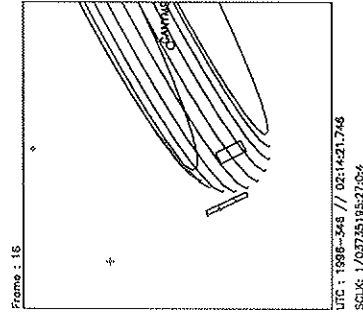
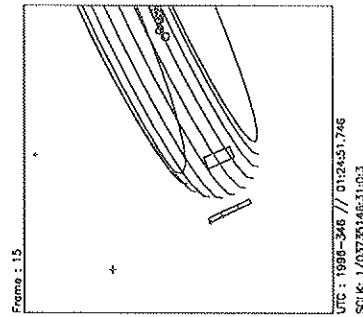
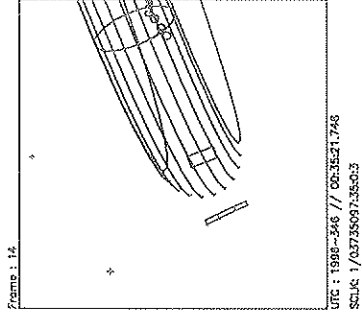
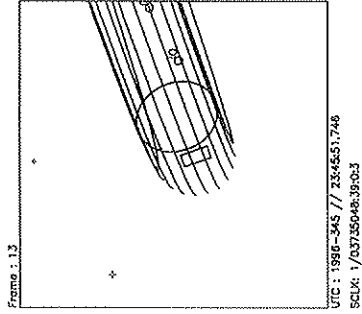
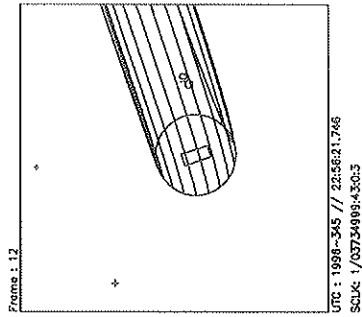
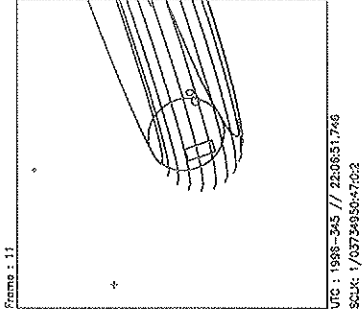
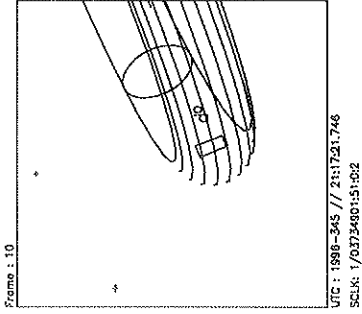
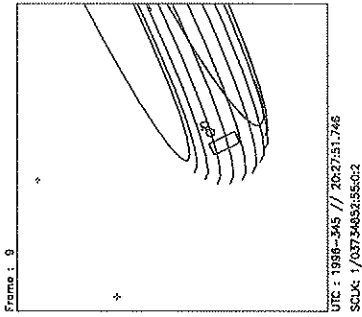
OBSERVATION:C3TUE4MANS03

DESCRIP:UVS/EUV MIDNITE ANSA ER INBND LO



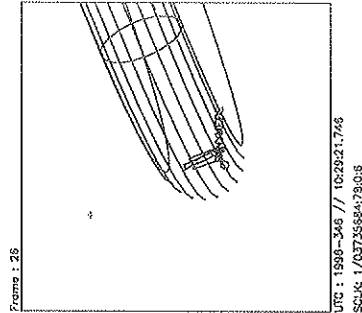
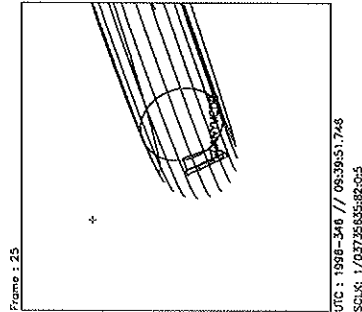
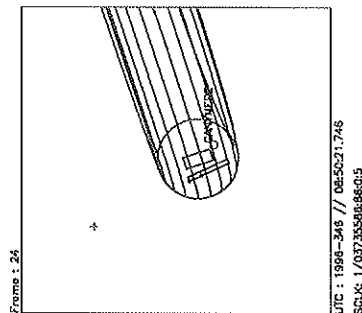
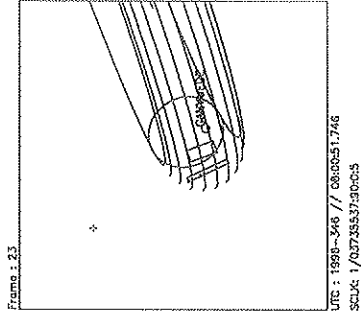
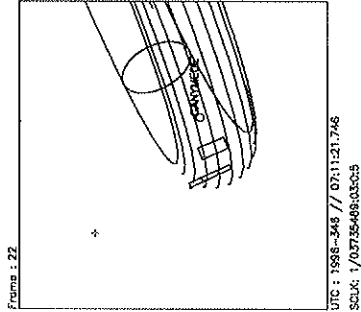
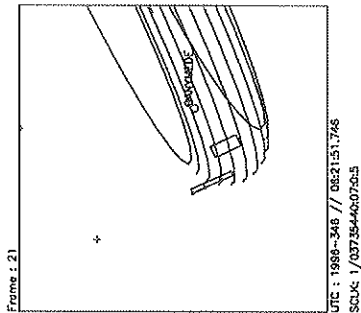
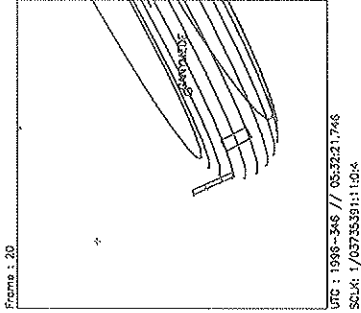
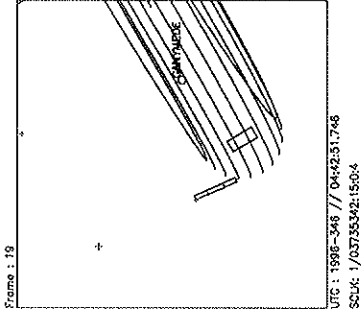
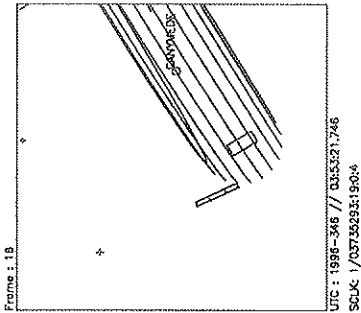
Start UTC_TIME : 1996-345 // 13:02:21.746
End UTC_TIME : 1996-346 // 16:16:19.019
Start SCLK : 1/03734412:00:0:0
Delta Time between FOV : 2970.000
FOVs : F Channel(0.1x0.4), N/G Channel(0.5x0.5)

Target Body : JUPITER
Target Cone/Clock : 82.17 / 89.25 Deg
S/C to Body Center : 4721801. Km (66.046562 Rj)
Z-axis Pointing (Ra / Dec) : 109.00 / 23.40 Deg



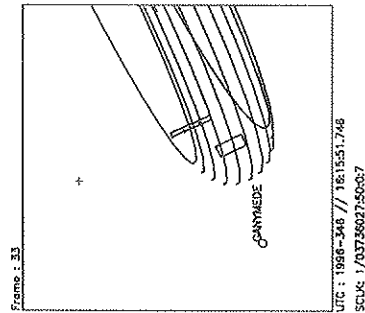
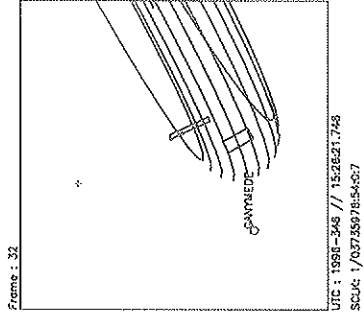
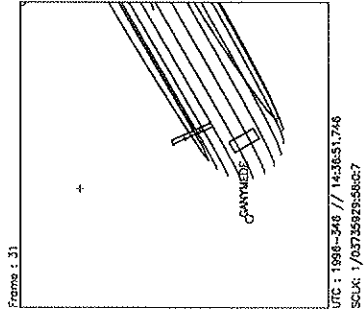
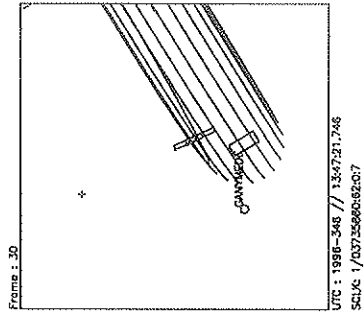
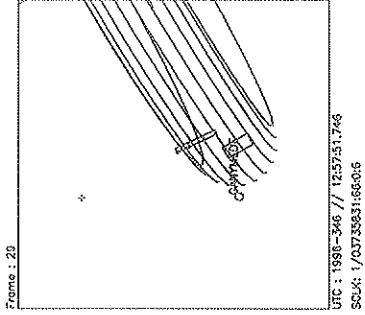
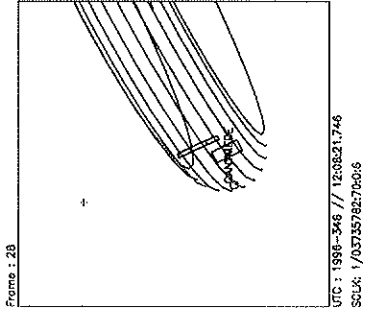
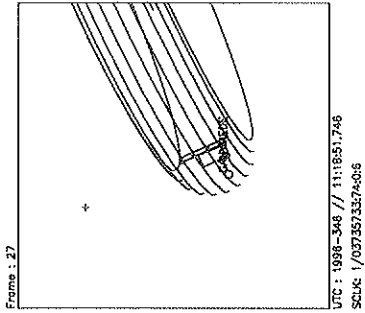
Start UTC_TIME : 1996-345 // 13:02:21.746
 End UTC_TIME : 1996-346 // 16:16:19.019
 Start SCLK : 1/03734412:00:0:0
 Delta Time between FOV : 2970.000
 FOVs : F Channel(0.1x0.4), N/G Channel(0.5x0.5)

Target Body : JUPITER
 Target Cone/Clock : 83.03 / 89.25 Deg
 S/C to Body Center : 4632169 Km (64.792825 Rj)
 Z-axis Pointing (Ra / Dec) : 109.00 / 23.40 Deg



Start UTC_TIME : 1996-345 // 13:02:21.746
 End UTC_TIME : 1996-346 // 16:16:19.019
 Start SCLK : 1/03734412:00:0:0
 Delta Time between FOV : 2970.000
 FOVs : F Channel(0.1x0.4), N/G Channel(0.5x0.5)

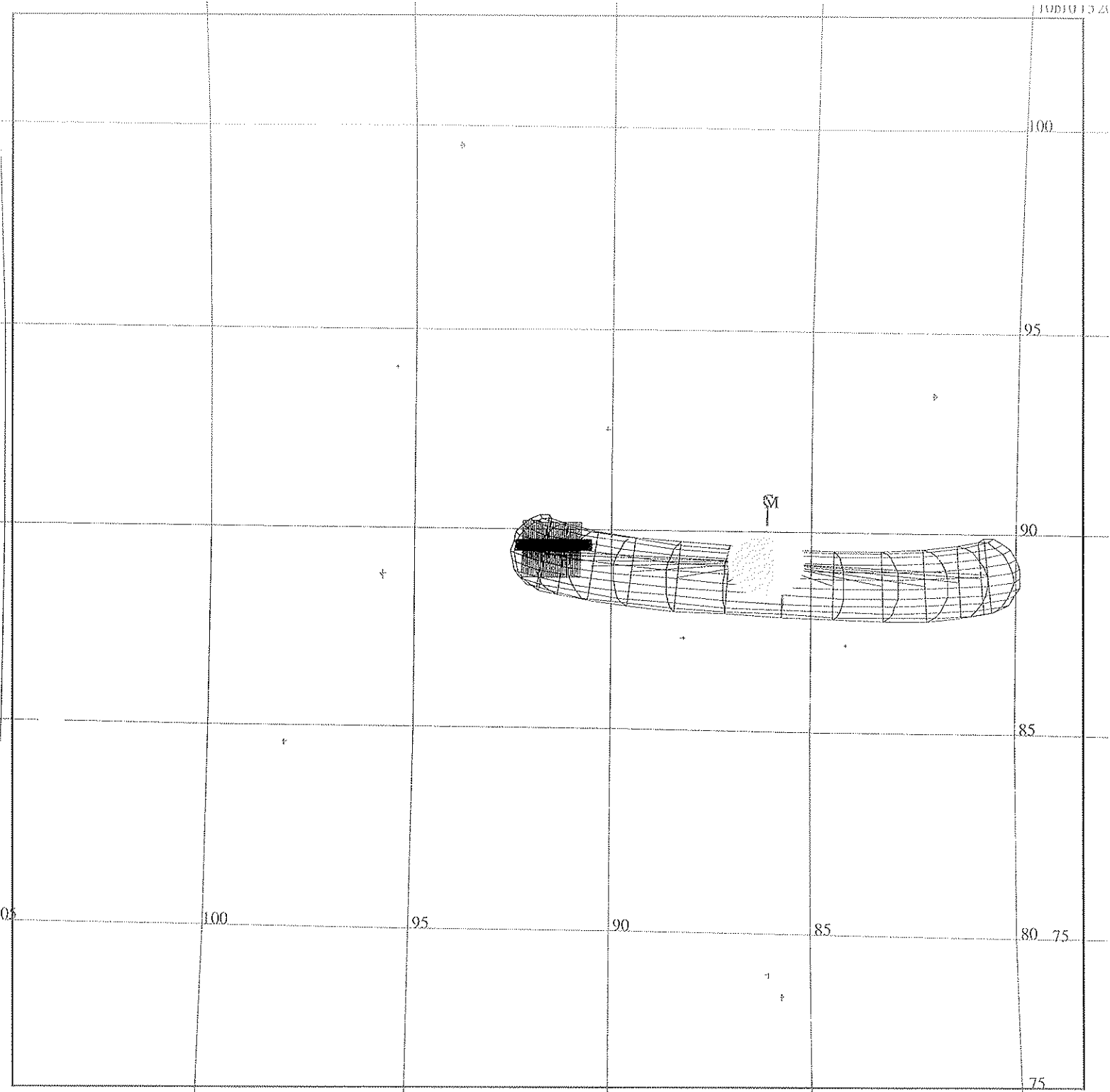
Target Body : JUPITER
 Target Cone/Clock : 83.92 / 89.24 Deg
 S/C to Body Center : 4539.389 Km (63.495060 Rj)
 Z-axis Pointing (Ra / Dec) : 109.00 / 23.40 Deg



Start UTC_TIME : 1996-345 // 13:02:21.746
 End UTC_TIME : 1996-346 // 16:16:19.019
 Start SCLK : 1/03734412:00:0-0
 Delta Time between FOV : 2970.000
 FOVs : F Channel(0.1x0.4), N/G Channel(0.5x0.5)

Target Body : JUPITER
 Target Cone/Clock : 84.85 / 89.24 Deg
 S/C to Body Center : 4443347. Km (62.151667 Rj)
 Z-axis Pointing (Ra / Dec) : 109.00 / 23.40 Deg

Activity ID: Orbit C3		OAPEL TUE4MPRO		SeqNo 01-	
Title		UVS/EUV MIDNIGHT ANSA PROFILE 1, E4 INBD		Instrument UVS	
Requestor		UVS-MWG/S.STEPHENS		Team UVS	
				Working Group MWG	
Time System CDS		Load ID C3C		Calendar Date 12/11/96	
				Week 50	
Start		JEE+CDS 00050013:00:0		96-346/16:16:24.933	
				JEE+035/02:48:42.000	
End		JEE+CDS 00050558:00:0		96-347/01:27:28.266	
				JEE+035/11:59:45.333	
Duration		00000545:00:0		000/09:11:03.333	
				000/09:11:03.333	
Top Label		C3TUE4MPRO01-			
Bottom Label		(UVS/EUV RTS Torus)			
Plot Key		UVS		Type SCI	
CDS Bytes		459		Report Options BOTH	
				Scan Platform Yes	
CDS Source		PA		Spin State DUAL	
				DMS No	
Observation Objective					
<div style="border: 1px solid black; width: 150px; height: 100px; display: inline-block; vertical-align: top;"></div> <p>UVS/EUV IO TORUS MIDNIGHT ANSA RADIAL PROFILE 1, E4 INBOUND: From: 6.51 Rj (outside ribbon) at cone > 90 (ribbon at 5.76 Rj, Sys III W Long 78) To: 5.04 Rj (inside ribbon) at fixed cone Data rate: Instrument states last 60 RIMS; thus, 4.87 bps UVS, 4.87 bps EUV OPTRTM/UVFLUSH STRATEGY (17,712 bits per UVS or EUV PACKET): UVS/EUV deselected; thus, 60-RIM UVFLUSHes needed to PACKET BOTH, after initial DISCRD WAVELENGTHS (Angstroms): Emission lines: UVS (O+ 3728, S+ 4070), EUV (S++ 685, S+ 765, O+ 834) FULLSCAN N (UVS): N 2818.1-4319.0 (CTR 3589.1, STEP 264) [BOTH FRAMES] 1POSN-264STEP N MINISCAN (UVS): N 2050-2818.1 (CTR 2434, STEP -128) [BOTH FRAMES] 1POSN-88STEP N MINISCAN (UVS): N 2818.1-3075.9 (CTR 2948.9, STEP</p>					
Design Detail					
PSID	RIM:mf	CDS	PA		
384BL	-2	0		COMMENT [UVS RIM 0]	
176BG	-2	15		SCITLM [PAUSE PB]	
61BE	2	37		LOOPER [LOOP PERIOD 180, NUM LOOPS 3]	
157BN	4	52		CMDRS (10+14*3) [PLAN DUR 121, EST UVS CMDS 3]	
349LE	4:69	28		UVFLUSH [6UVRT, DISCRD, BOTH]	
165BF	5	36		TARGET [CONE 91.53, CLOCK 89.50], UTILITY [7CONE/7STAT, SCAN TYPE 6]	
	5			34UVS, 07, S, N, N, N, S, 0, OFF, ON, OFF, ON, OFF, NO, 1, 2C, 9D, 00, 00 [FULLSCAN N]	
176BH	6	15		SCITLM [RESUME PB]	
349LF	63:69	84		UVFLUSH (28*3) [6UVRT, PACKET, BOTH]	
	65			34UVS, E5, F, N, N, N, S, 0, OFF, ON, OFF, ON, OFF, NO, 1, 25, 94, 00, 00 [264STEP N]	
349LG	123:69	84		UVFLUSH (28*3) [6UVRT, PACKET, BOTH]	
	125			34UVS, DF, F, N, N, N, S, 0, OFF, ON, OFF, ON, OFF, NO, 1, 2C, 7D, 00, 00 [88STEP N]	
349LH	183:69	84		UVFLUSH (28*3) [6UVRT, PACKET, BOTH]	
...LN				... [REPEAT 3 ADDITIONAL TIMES]	
157BO	544	24		CMDRS (10+14*1) [PLAN DUR 1, EST UVS CMDS 1]	
	545			34UVS, C1, F, N, N, N, S, 0, OFF, OFF, ON, OFF, OFF, NO, 1, 2C, 05, 00, 00 [HVOPF]	



165BF:TT= 0 TMC= 1 C= 0.00 XC= 0.00 BS= 077047 TC= 2(91.53 89.5)
 A= 728 pD= 98280 SR=17.450 RA50=196.93 DEC50= -8.62 cone= 91.53 clock= 89.50

DESIGN G2.0 lisac:10/14/1996 15:13:59

FILE:P.C3TUE4MPRO01

CENTRAL BODY:JUPITER III

MINI:m.C3TUE4MPRO01

PH:/DATA/NAVIO/T-960909-TOUR.NS

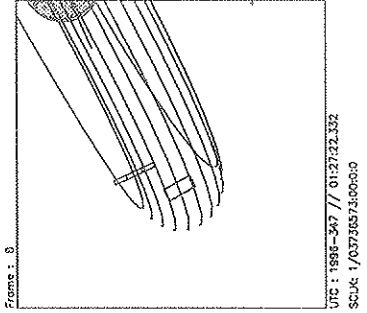
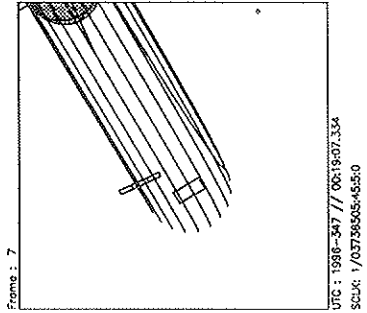
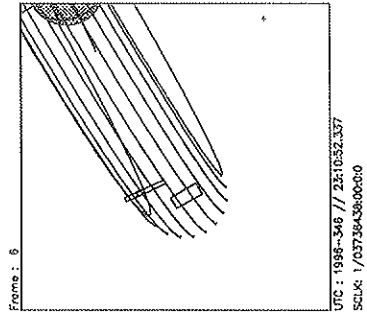
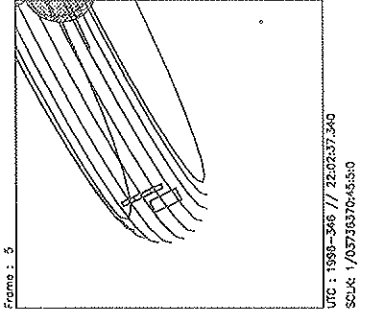
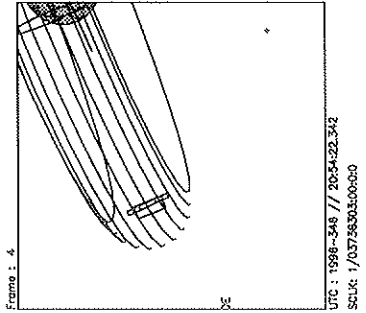
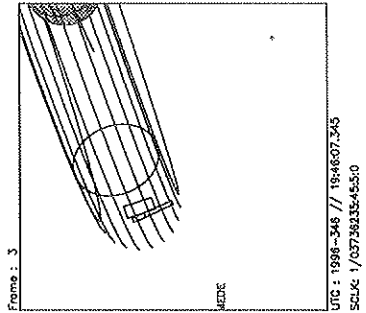
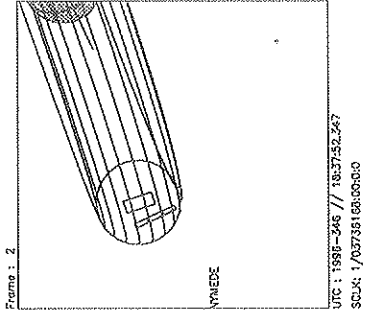
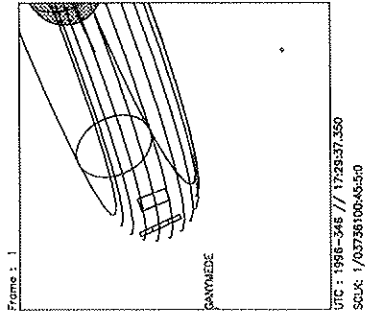
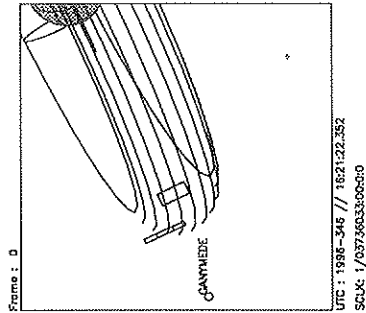
PERIAPSIS:

THINNING: :UVS 10

START:JEE 96-311/13:27:42.933 +CDS 50018:00:0 BODY PLOT TIME:CENTER-TIME D=98280 S= 0.070

OBSERVATION:C3TUE4MPRO01

DESCRIP:UVS MIDNIGHT PROFILE E4 INBND 1



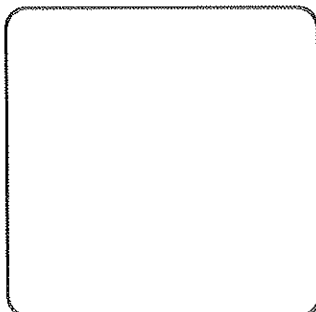
Start UTC_TIME : 1996-346 // 16:21:22.352
No End Time :
Start SCLK : 1/03736033:00:0:0

Target Body : JUPITER
Target Cone/Clock : 85.51 / 89.24 Deg
S/C to Body Center : 437621. Km (61.212717 Ri)
Z-axis Pointing (Ra / Dec) : 109.00 / 23.40 Deg

Activity ID:	Orbit C3	OAPEL	TUE4MPRO	SeqNo	02-
Title	UVS/EUV MIDNIGHT ANSA PROFILE 2, E4 INBD			Instrument	UVS
Requestor	UVS-MWG/S.STEPHENS	Team	UVS	Working Group	MWG
Time System	CDS	Load ID	C3C	Calendar Date	12/12/96
				Week	50
Start	JEE+CDS 00050558:00:0		96-347/01:27:28.266		JEE+035/11:59:45.333
End	JEE+CDS 00051103:00:0		96-347/10:38:31.599		JEE+035/21:10:48.666
Duration	00000545:00:0		000/09:11:03.333		000/09:11:03.333

Top Label	C3TUE4MPRO02-				
Bottom Label	(UVS/EUV RTS Torus)				
Plot Key	UVS	Type	SCI		
CDS Bytes	445	Report Options	BOTH	Scan Platform	Yes
CDS Source	PA	Spin State	DUAL	DMS	No

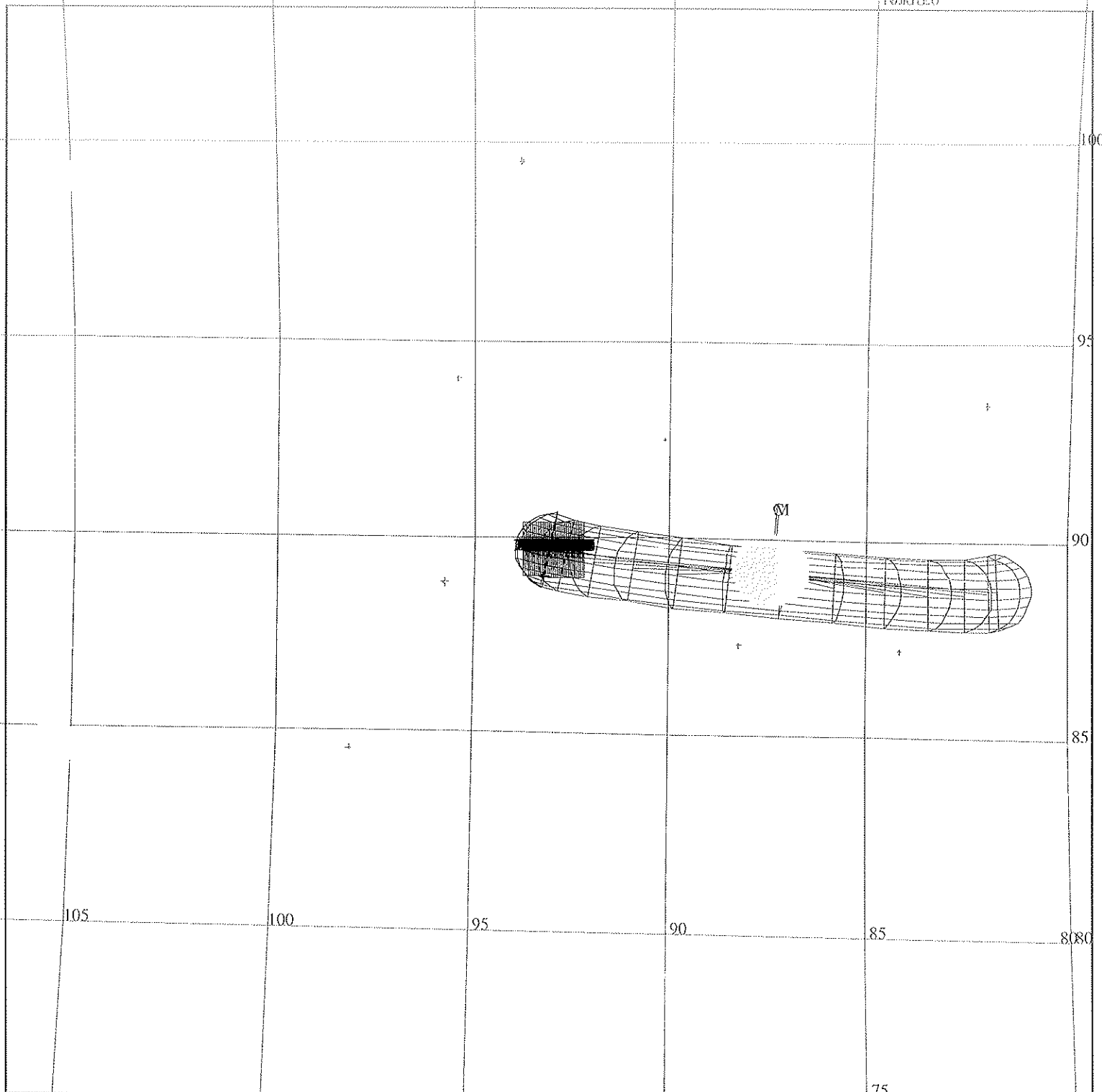
Observation Objective



UVS/EUV IO TORUS MIDNIGHT ANSA RADIAL PROFILE 2, E4 INBOUND:
 From: 6.55 Rj (outside ribbon) at cone > 90 (ribbon at 5.76 Rj, Sys III W Long 50)
 To: 5.03 Rj (inside ribbon) at fixed cone
 Data rate: Instrument states last 60 RIMS; thus, 4.87 bps UVS, 4.87 bps EUV
 OPTRTM/UVFLUSH STRATEGY (17,712 bits per UVS or EUV PACKET):
 UVS/EUV deselected; thus, 60-RIM UVFLUSHes needed to PACKET BOTH, after initial DISCRD
 WAVELENGTHS (Angstroms):
 Emission lines: UVS (S++ 1194, S+ 1259), EUV (S++ 685, S+ 765, O+ 834)
 1POSN-66STEP G MINISCAN (UVS): G 1174.9-1275.2 (CTR 1225.9, STEP 61) [BOTH FRAMES]
 Strategy for MINISCANS: Use 66STEP G for S lines, in place of 16STEP N/N and 22STEP N/G

Design Detail

PSID	RIM:mf	CDS	PA
384BM	-2	0	COMMENT [UVS RIM 0]
176BI	-2	15	SCITLM [PAUSE PB]
61BF	2	37	LOOPER [LOOP PERIOD 120, NUM LOOPS 4]
157BP	4	38	CMDRS (10+14*2) [PLAN DUR 61, EST UVS CMDS 2]
349LO	4:69	28	UVFLUSH [6UVRT, DISCRD, BOTH]
165BG	5	36	TARGET [CONE 92.99, CLOCK 89.70], UTILITY [7CONE/7STAT, SCAN TYPE 6]
	5		34UVS, DD, F, N, N, N, S, 0, OFF, OFF, ON, ON, OFF, NO, 1, 48, 75, 00, 00 [66STEP G]
176BJ	6	15	SCITLM [RESUME PB]
349LP	63:69	112	UVFLUSH (28*4) [6UVRT, PACKET, BOTH]
	65		34UVS, DD, F, N, N, N, S, 0, OFF, OFF, ON, ON, OFF, NO, 1, 48, 75, 00, 00 [66STEP G]
349LQ	123:69	112	UVFLUSH (28*4) [6UVRT, PACKET, BOTH]
...LW			... [REPEAT 3 ADDITIONAL TIMES]
157BQ	484	24	CMDRS (10+14*2) [PLAN DUR 61, EST UVS CMDS 2]
	485		34UVS, DD, F, N, N, N, S, 0, OFF, OFF, ON, ON, OFF, NO, 1, 48, 75, 00, 00 [66STEP G]
349LX	543:69	28	UVFLUSH [6UVRT, PACKET, BOTH]
	545		34UVS, C1, F, N, N, N, S, 0, OFF, OFF, ON, OFF, OFF, NO, 1, 2C, 05, 00, 00 [HVOFF]



165BG:TT= 0 TMC= 1 C= 0.00 XC= 0.00 BS= 0/6237 TC= 2(92.99 89.7)
 A= 728 pD= 98280 SR=17.450 RA50=198.37 DEC50= -9.01 cone=92.99 clock= 89.70

DESIGN G2.0 lisac:10/14/1996 15:21:24

FILE:P.C3TUE4MPRO02

CENTRAL BODY:JUPITER III

MINI:m.C3TUE4MPRO02

S H:/DATA/NAVIO/T-960909-TOUR.NS

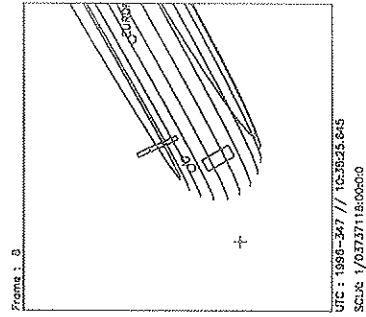
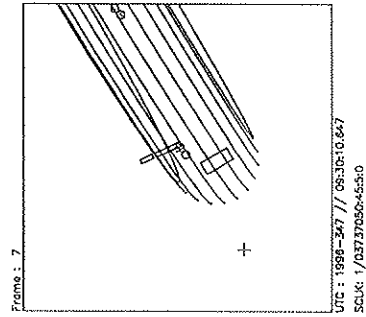
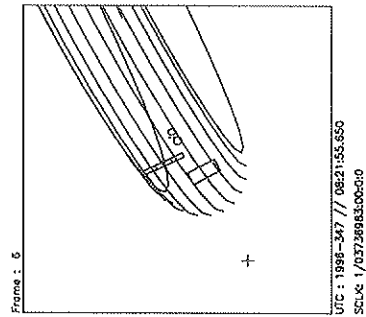
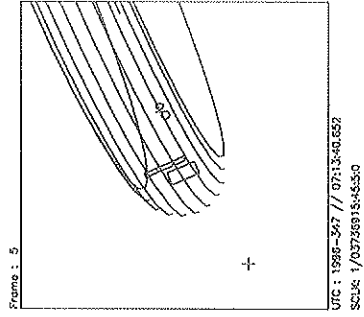
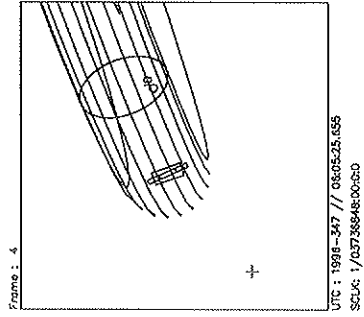
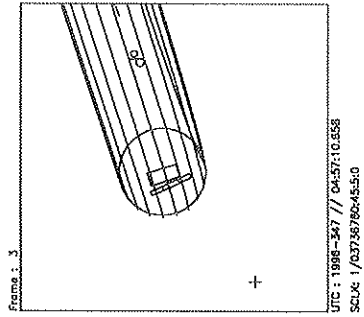
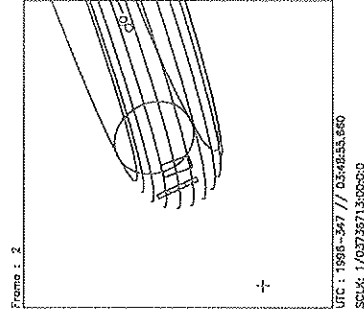
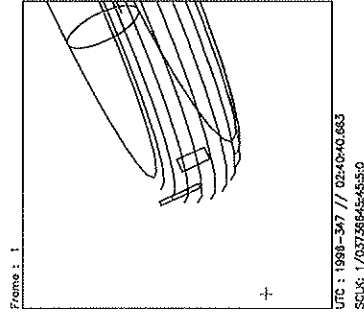
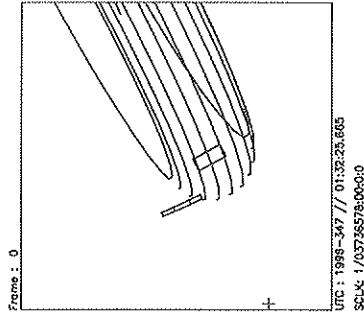
PERIAPSIS:

THINNING: :UVS 10

START:JEE 96-311/13:27:42.933 +CDS 50563:00:0 BODY PLOT TIME:CENTER-TIME D=98280 S= 0.070

OBSERVATION:C3TUE4MPRO02

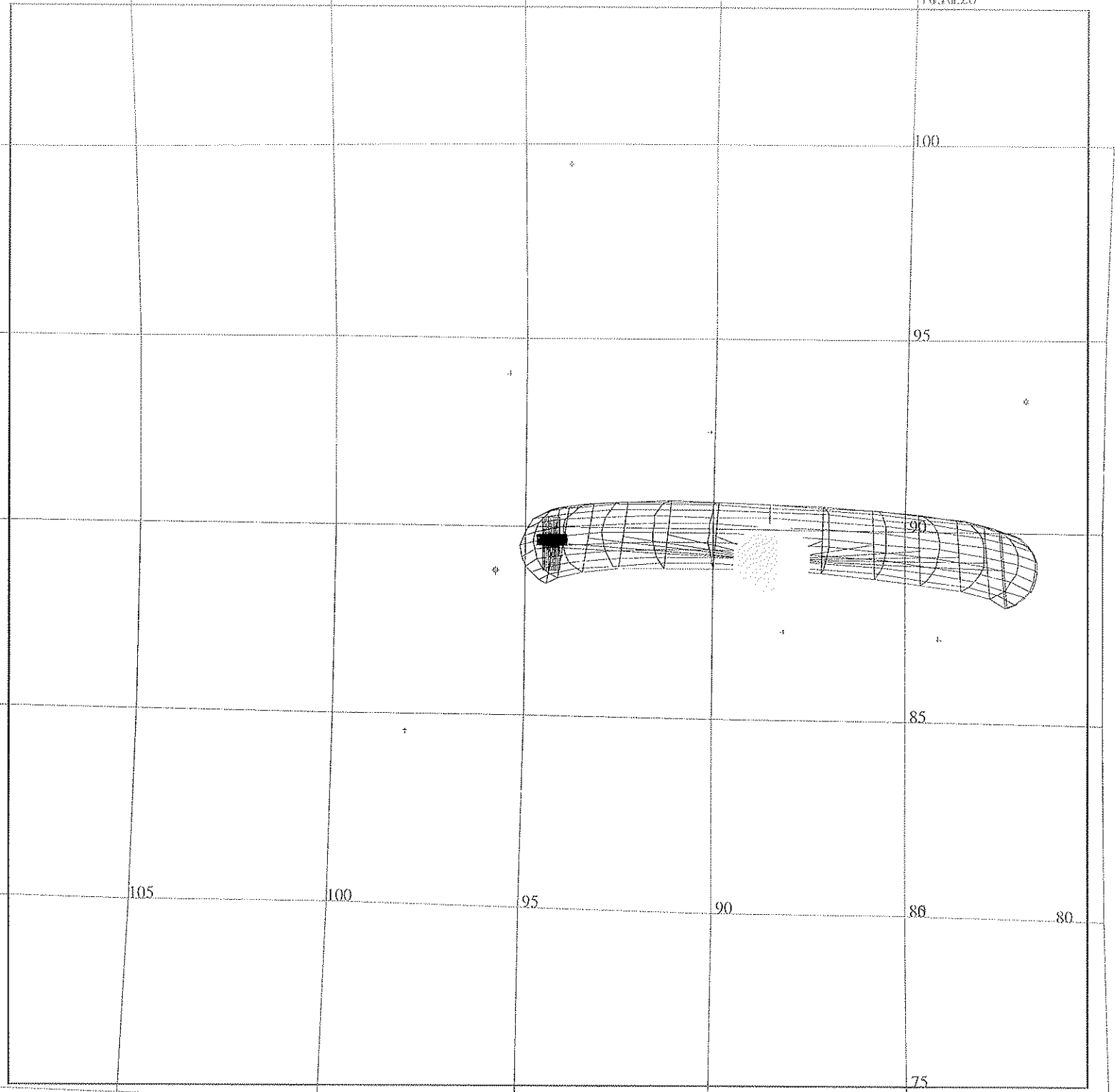
DESCRIP:UVS MIDNITE PROFILE E4 INBND 2



Start UTC_TIME : 1996-347 // 01:32:25.665
No End Time :
Start SCLK : 1/0373657800000

Target Body : JUPITER
Target Cone/Clock : 86.76 / 89.24 Deg
S/C to Body Center : 4249849. Km (59.445100 RJ)
Z-axis Pointing (Ra / Dec) : 109.00 / 23.40 Deg

Activity ID: Orbit C3		OAPEL TUE4MPRO		SeqNo 03-	
Title	UVS/EUV MIDNIGHT ANSA PROFILE 3, E4 INBD			Instrument	UVS
Requestor	UVS-MWG/S.STEPHENS	Team	UVS	Working Group	MWG
Time System	CDS	Load ID	C3C	Calendar Date	12/12/96
				Week	50
Start	JEE+CDS 00051199:00:0		96-347/12:15:35.599		JEE+035/22:47:52.666
End	JEE+CDS 00051381:00:0		96-347/15:19:36.933		JEE+036/01:51:54.000
Duration	00000182:00:0		000/03:04:01.334		000/03:04:01.334
Top Label	C3TUE4MPRO03-				
Bottom Label	(UVS/EUV RTS Torus)				
Plot Key	UVS	Type	SCI		
CDS Bytes	257	Report Options	BOTH	Scan Platform	Yes
CDS Source	PA	Spin State	DUAL	DMS	No
Observation Objective					
<div style="border: 1px solid black; padding: 5px;"> <p>UVS/EUV IO TORUS MIDNIGHT ANSA RADIAL PROFILE 3, E4 INBOUND: From: 6.04 Rj (outside ribbon) at cone > 90 (ribbon at 5.76 Rj, Sys III W Long 327) To: 5.52 Rj (inside ribbon) at fixed cone Data rate: Instrument states last 60 RIMS; thus, 4.87 bps UVS, 4.87 bps EUV OPTRTM/UVFLUSH STRATEGY (17,712 bits per UVS or EUV PACKET): UVS/EUV deselected; thus, 60-RIM UVFLUSHes needed to PACKET BOTH, after initial UVFLUSHes WAVELENGTHS (Angstroms): Emission lines: UVS (S++ 1194, S+ 1259), EUV (S++ 685, S+ 765, O+ 834) 1POSN-66STEP G MINISCAN (UVS): G 1174.9-1275.2 (CTR 1225.9, STEP 61) [BOTH FRAMES] Strategy for MINISCANS: Use 66STEP G for S lines, in place of 16STEP N/N and 22STEP N/G</p> </div>					
Design Detail					
PSID	RIM:mf	CDS	PA		
384BN	0	0		COMMENT [UVS RIM 0]	
349LY	0:69	28		UVFLUSH [6UVRT, PACKET, EUV]	
157BR	1	66		CMDRS (10+14*4) [PLAN DUR 181, EST UVS CMDS 4]	
349LZ	1:69	28		UVFLUSH [6UVRT, DISCRD, UVS]	
165BH	2	36		TARGET [CONE 94.29, CLOCK 89.55], UTILITY [7CONE/7STAT, SCAN TYPE 6]	
				34UVS, DD, F, N, N, N, S, 0, OFF, OFF, ON, ON, OFF, NO, 1, 48, 75, 00, 00 [66STEP G]	
176BL	4	15		SCITLM [RESUME PB]	
349MA	60:69	28		UVFLUSH [6UVRT, PACKET, BOTH]	
				34UVS, DD, F, N, N, N, S, 0, OFF, OFF, ON, ON, OFF, NO, 1, 48, 75, 00, 00 [66STEP G]	
349MB	120:69	28		UVFLUSH [6UVRT, PACKET, BOTH]	
				34UVS, DD, F, N, N, N, S, 0, OFF, OFF, ON, ON, OFF, NO, 1, 48, 75, 00, 00 [66STEP G]	
349PC	180:69	28		UVFLUSH [6UVRT, PACKET, BOTH]	
				34UVS, C1, F, N, N, N, S, 0, OFF, OFF, ON, OFF, OFF, NO, 1, 2C, 05, 00, 00 [HVOPF]	



165BH:TT= 0.TMC= 1.C= 0.00 XC= 0.00 BS= 0/2353 TC= 2(94.29 89.55)
 A= 364 pD= 21840 SR=17.450 RA50=199.52 DEC50= -9.66 cone= 94.29 clock= 89.55

DESIGN G2.0 lisac:10/14/1996 15:24:27

FILE:P.C3TUE4MPRO03

CENTRAL BODY:JUPITER III

MINI:m.C3TUE4MPRO03

PH:/DATA/NAVIO/T-960909-TOUR.NS

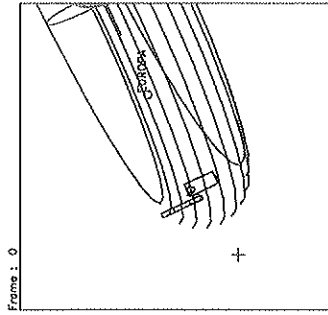
PERIAPSIS:

THINNING: :UVS 1

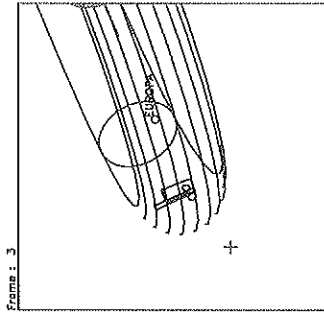
START:JEE 96-311/13:27:42.933 +CDS 51201:00:0 BODY PLOT TIME:CENTER-TIME D=21840 S= 0.070

OBSERVATION:C3TUE4MPRO03

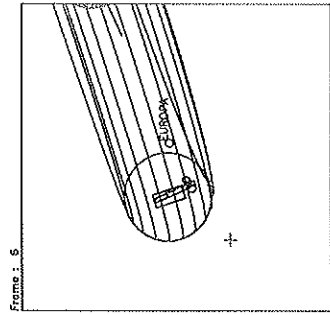
DESCRIP:UVS MIDNITE PROFILE E4 INBND 3



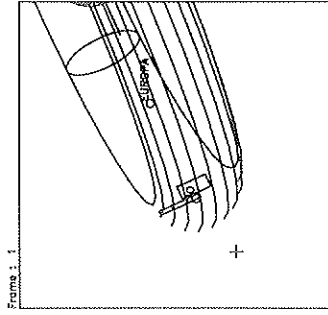
Frame : 0
 UTC : 1996-347 // 12:17:30.975
 SCLK: 1/03737216:00:00



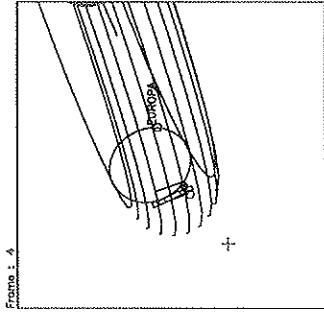
Frame : 3
 UTC : 1996-347 // 13:25:45.972
 SCLK: 1/03737283:45:50



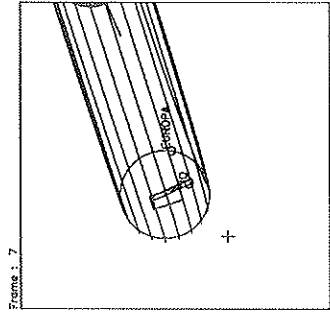
Frame : 5
 UTC : 1996-347 // 14:34:00.970
 SCLK: 1/03737351:00:00



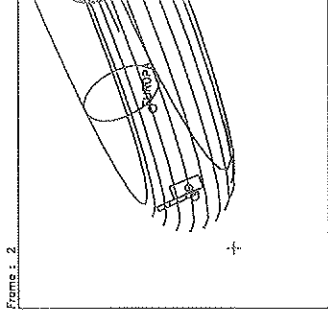
Frame : 1
 UTC : 1996-347 // 12:46:15.974
 SCLK: 1/03737238:45:50



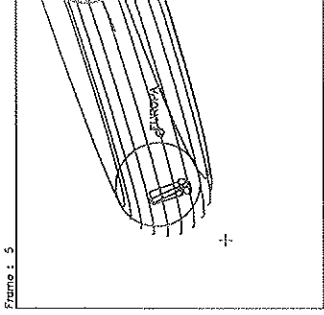
Frame : 4
 UTC : 1996-347 // 13:48:00.971
 SCLK: 1/03737306:00:00



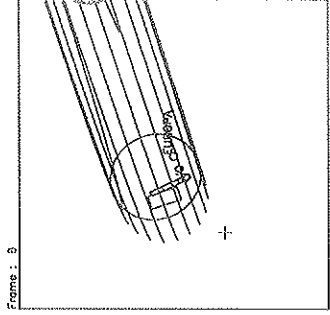
Frame : 7
 UTC : 1996-347 // 14:58:45.969
 SCLK: 1/03737373:45:50



Frame : 2
 UTC : 1996-347 // 13:03:00.973
 SCLK: 1/03737281:00:00



Frame : 5
 UTC : 1996-347 // 14:11:15.970
 SCLK: 1/03737328:45:50

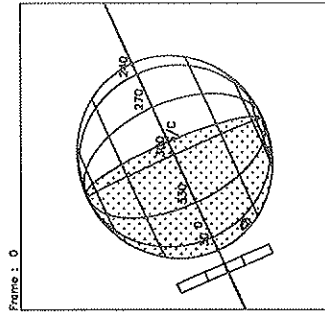


Frame : 8
 UTC : 1996-347 // 15:19:30.968
 SCLK: 1/03737398:00:00

Start UTC_TIME : 1996-347 // 12:17:30.975
 No End Time :
 Start SCLK : 1/03737216:00:00:0

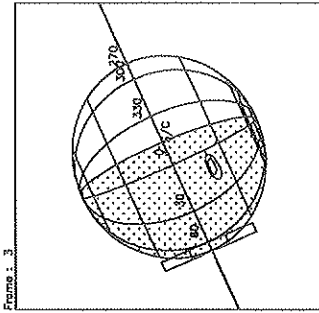
Target Body : JUPITER
 Target Cone/Clock : 88.32 / 89.24 Deg
 S/C to Body Center : 4094921. Km (57.278033 Rj)
 Z-axis Pointing (Ra / Dec) : 109.00 / 23.40 Deg

Activity ID: Orbit C3		OAPEL JUE4AURA		SeqNo 01-	
Title	UVS/EUV AURORA MAP 1, LO RATE E4 INBD			Instrument	UVS
Requestor	UVS-MWG/S.STEPHENS	Team	UVS	Working Group	MWG
Time System	CDS	Load ID	C3C	Calendar Date	12/12/96
				Week	50
Start	JEE+CDS 00051381:00:0		96-347/15:19:36.933		JEE+036/01:51:54.000
End	JEE+CDS 00051621:00:0		96-347/19:22:16.933		JEE+036/05:54:34.000
Duration	00000240:00:0		000/04:02:40.000		000/04:02:40.000
Top Label	C3JUE4AURA01-				
Bottom Label	(UVS/EUV RTS Aurora)				
Plot Key	UVS	Type	SCI		
CDS Bytes	230	Report Options	BOTH	Scan Platform	Yes
CDS Source	PA	SpIn State	DUAL	DMS	No
Observation Objective					
<p>UVS/EUV JUPITER AURORA MAP 1 (NIGHTGLOW), LOW RATE, E4 INBOUND: From: 1.2 Rj (outside Jupiter) at cone 90 (TARGETING equatorial nightglow), dark limb To: Remain on dark side for equatorial nightglow Data rate: Instrument states last 60 RIMS; thus, 4.87 bps UVS, 4.87 bps EUV OPTRM/UVFLUSH STRATEGY (17,712 bits per UVS or EUV PACKET): UVS/EUV deselected; thus, 60-RIM UVFLUSHes needed to PACKET BOTH, after initial DISCRD WAVELENGTHS (Angstroms): Emission lines: UVS (H2 1253, H2 1611) 2POSN-88STEP G/G MINISCAN (UVS): G 1131.5-1265.9 (CTR 1199.7, STEP 44) [EVEN FRAMES], G 1199.7-1333.4 (CTR 1267.5, STEP 88) [ODD FRAMES] Strategy for MINISCANS: Use 2POSN-88STEP G/G for equatorial nightglow</p>					
Design Detail					
PSID	RIM:mf	CDS	PA		
384BP	-3	0		COMMENT [UVS RIM 0]	
176BM	-3	15		SCITLM [PAUSE PB]	
157BS	2	24		CMDRS (10+14*1) [PLAN DUR 1, EST UVS CMDS 1]	
349MD	2:69	28		UVFLUSH [6UVRT, DISCRD, BOTH]	
165BI	3	36		TARGET [CONE 90.00, CLOCK 89.23], UTILITY [7CONE/7STAT, SCAN TYPE 6]	
	3			34UVS,DF,F,N,N,N,S,0,OFF,OFF,ON,ON,OFF,NO,1,2C,7D,00,2C [88STEP G/G]	
176BN	5	15		SCITLM [RESUME PB]	
349ME	58:69	28		UVFLUSH [6UVRT, PACKET, BOTH]	
349MF	118:69	28		UVFLUSH [6UVRT, PACKET, BOTH]	
349MG	178:69	28		UVFLUSH [6UVRT, PACKET, BOTH]	
349MH	238:69	28		UVFLUSH [6UVRT, PACKET, BOTH]	



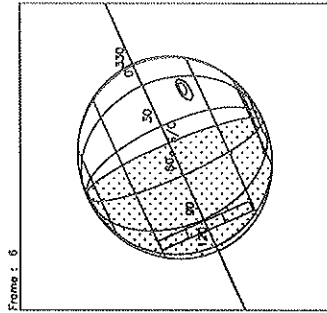
Frame : 0

UTC : 1996-347 // 15:22:32.968
SCLK : 1/03737399:00:00



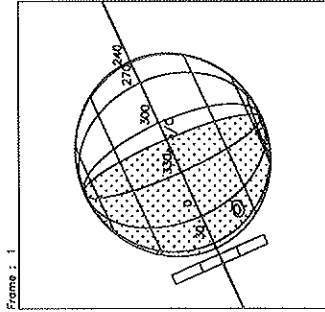
Frame : 3

UTC : 1996-347 // 18:21:44.961
SCLK : 1/03737487:56:00



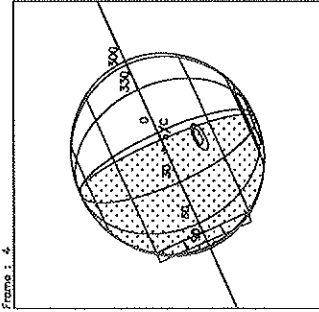
Frame : 5

UTC : 1996-347 // 18:21:44.961
SCLK : 1/03737502:00:00



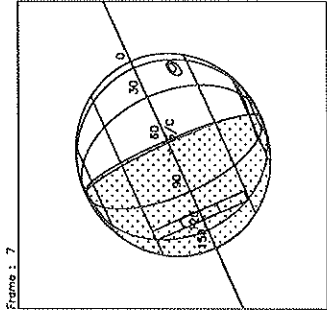
Frame : 1

UTC : 1996-347 // 15:22:24.967
SCLK : 1/03737428:49:00



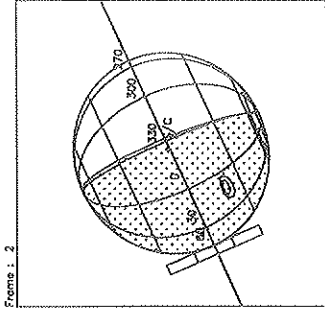
Frame : 4

UTC : 1996-347 // 17:52:00.963
SCLK : 1/03737517:14:00



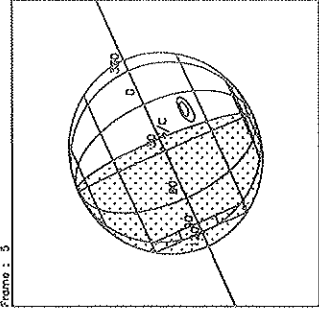
Frame : 7

UTC : 1996-347 // 18:21:36.960
SCLK : 1/03737605:70:00



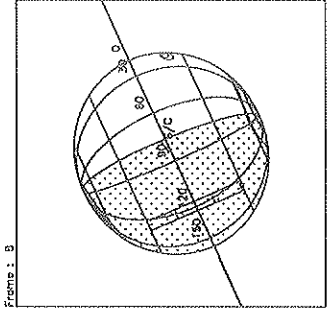
Frame : 2

UTC : 1996-347 // 16:22:16.965
SCLK : 1/03737458:07:00



Frame : 5

UTC : 1996-347 // 17:51:53.962
SCLK : 1/03737546:63:00



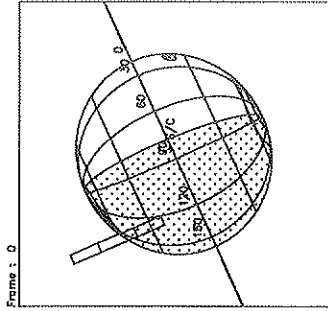
Frame : 8

UTC : 1996-347 // 19:21:28.959
SCLK : 1/03737635:20:00

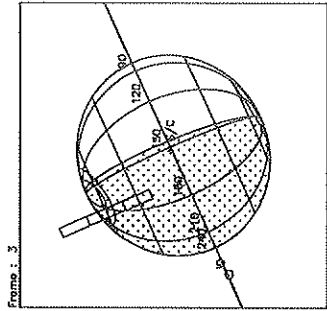
Target Body : JUPITER
 Target Cone/Clock : 88.79 / 89.24 Deg
 S/C to Body Center : 4049025. Km (56.636055 Ri)
 Z-axis Pointing (Ra / Dec) : 109.00 / 23.40 Deg

Start UTC_Time : 1996-347 // 15:22:32.968
 No End Time :
 Start SCLK : 1/03737399:00:00

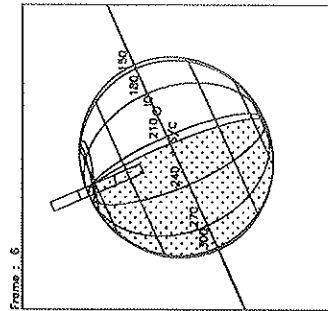
Activity ID: Orbit C3		OAPEL JUE4AURA		SeqNo 02-	
Title	UVS/EUV AURORA MAP 2, HI RATE E4 INBD			Instrument	UVS
Requestor	UVS-MWG/S.STEPHENS	Team	UVS	Working Group	MWG
Time System	CDS	Load ID	C3C	Calendar Date	12/12/96
				Week	50
Start	JEE+CDS 00051621:00:0		96-347/19:22:16.933		JEE+036/05:54:34.000
End	JEE+CDS 00051924:00:0		96-348/00:28:38.933		JEE+036/11:00:56.000
Duration	00000303:00:0		000/05:06:22.000		000/05:06:22.000
Top Label	C3JUE4AURA02-				
Bottom Label	(UVS/EUV RTS Aurora)				
Plot Key	UVS	Type	SCI		
CDS Bytes	328	Report Options	BOTH	Scan Platform	Yes
CDS Source	PA	Spln State	DUAL	DMS	No
Observation Objective					
<p>UVS/EUV JUPITER AURORA MAP 2 (NORTHERN AURORA), HIGH RATE (JUPITER CENTER), E4 INBOUND: From: Cone 90 (TARGETing 60 deg North latitude), dark side (first 6 UVS FLUSHes) To: Cone 90, bright side (last UVS FLUSH) Data rate: FLUSHes # 1, 6, and 7 last 60 RIMS; thus, 4.87 bps UVS, 4.87 bps EUV FLUSHes # 2 to 5 last 30 RIMS; thus, 9.73 bps UVS, 9.73 bps EUV OPTRTM/UVFLUSH STRATEGY (17,712 bits per UVS or EUV PACKET): UVS/EUV deselected; thus, 60- or 30-RIM UVFLUSHes needed to PACKET BOTH, after initial DISCRD WAVELENGTHS (Angstroms): Emission lines: UVS (H2 1253, H2 1611) FULLSCAN F/G (UVS): F 1616.5-3227.9 (CTR 2436.8, STEP 264) [EVEN FRAMES],</p>					
Design Detail					
PSID	RIM:mf	CDS	PA		
384BQ	-2	0		COMMENT [UVS RIM 0]	
176BO	-2	15		SCITLM [PAUSE PB]	
157BT	2	38		CMDRS (10+14*2) [PLAN DUR 301, EST UVS CMDS 2]	
349OO	2:69	28		UVFLUSH [6UVRT, DISCRD, BOTH]	
165BJ	3	36		TARGET [CONE 90.00, CLOCK 90.09], UTILITY [7CONE/7STAT, SCAN TYPE 6]	
			3	34UVS,07,S,N,N,N,S,0,ON,OFF,ON,ON,OFF,NO,1,00,9C,01,2C [FULLSCAN F/G]	
176BP	7	15		SCITLM [RESUME PB]	
349MI	61:69	28		UVFLUSH [6UVRT, PACKET, BOTH]	
349MJ	91:69	28		UVFLUSH [6UVRT, PACKET, BOTH]	
349MK	121:69	28		UVFLUSH [6UVRT, PACKET, BOTH]	
349ML	151:69	28		UVFLUSH [6UVRT, PACKET, BOTH]	
349MM	181:69	28		UVFLUSH [6UVRT, PACKET, BOTH]	
349MN	241:69	28		UVFLUSH [6UVRT, PACKET, BOTH]	
349MO	301:69	28		UVFLUSH [6UVRT, PACKET, BOTH]	
	303			34UVS,C1,F,N,N,N,S,0,OFF,OFF,ON,OFF,OFF,NO,1,2C,05,00,00 [HVOFF]	



Frame : 0
 UTC : 1996-347 // 19:24:12.292
 SCLK : 1/03737638:00:00

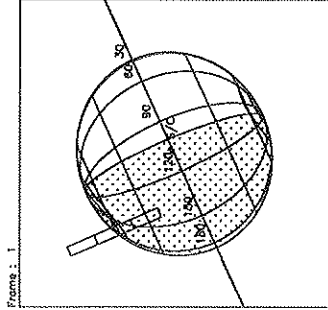


Frame : 3
 UTC : 1996-347 // 21:17:03.288
 SCLK : 1/03737749:55:50

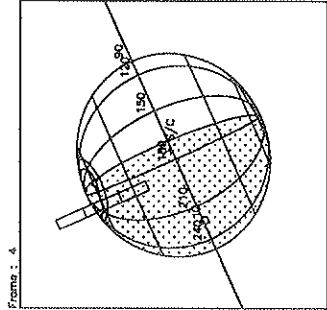


Frame : 6
 UTC : 1996-347 // 23:09:55.294
 SCLK : 1/03737861:20:00

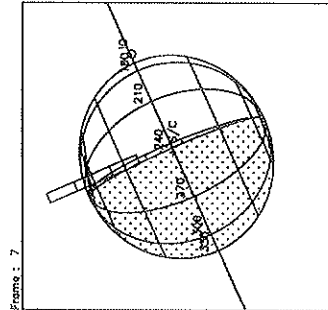
Start UTC_TIME : 1996-347 // 19:24:12.292
 No End Time :
 Start SCLK : 1/03737638:00:00



Frame : 1
 UTC : 1996-347 // 20:01:48.291
 SCLK : 1/03737875:18:50

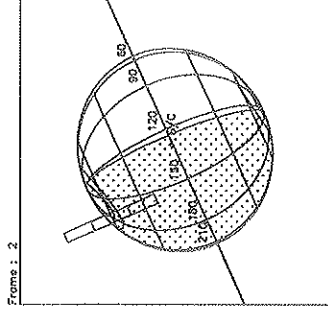


Frame : 4
 UTC : 1996-347 // 21:54:40.287
 SCLK : 1/03737897:45:00

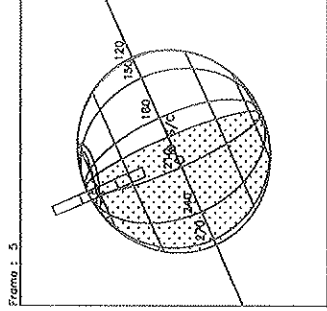


Frame : 7
 UTC : 1996-347 // 23:47:31.282
 SCLK : 1/03737998:38:50

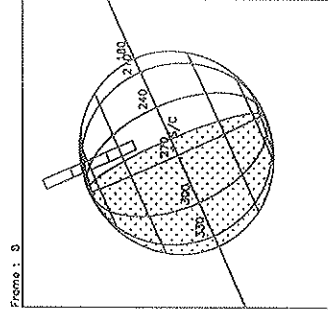
Target Body : JUPITER
 Target Cone/Clock : 89.42 / 89.23 Deg
 S/C to Body Center : 3988066. Km (55.783390 Rj)
 Z-axis Pointing (Ra / Dec) : 109.00 / 23.40 Deg



Frame : 2
 UTC : 1996-347 // 20:39:26.289
 SCLK : 1/03737712:37:00

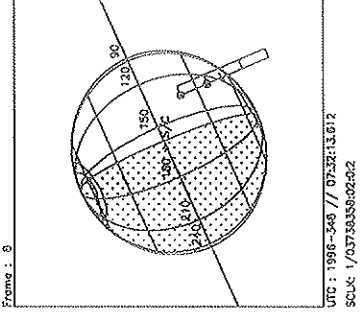
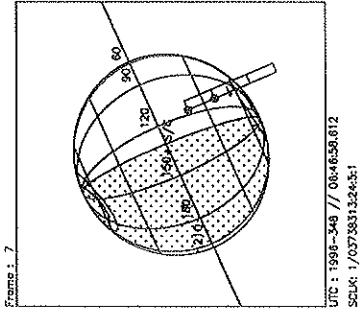
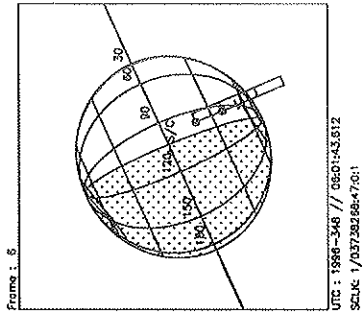
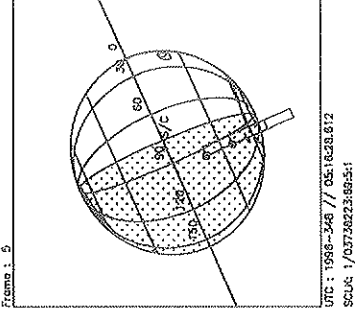
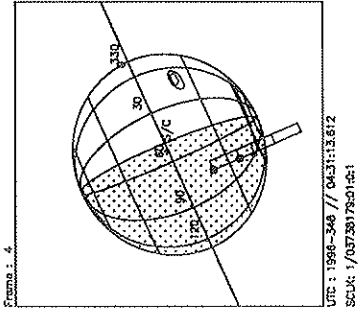
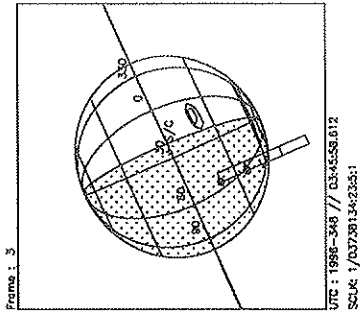
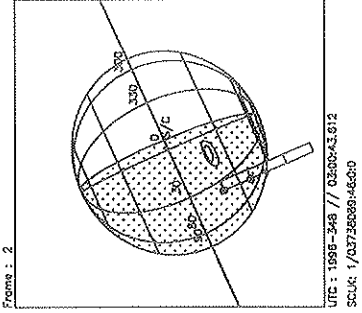
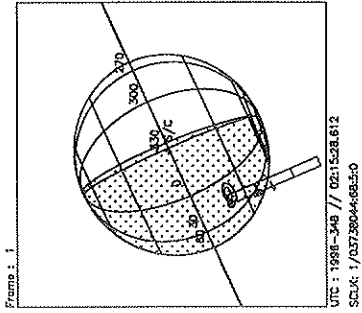
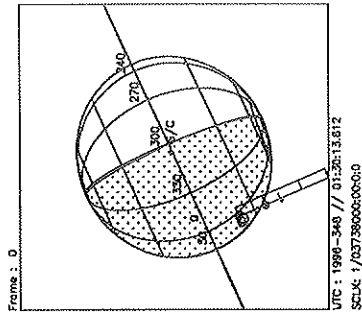


Frame : 5
 UTC : 1996-347 // 22:32:17.285
 SCLK : 1/03737824:01:50



Frame : 8
 UTC : 1996-348 // 00:25:08.281
 SCLK : 1/03737935:57:00

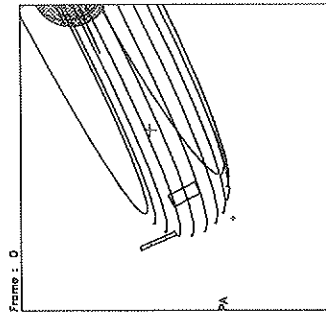
Activity ID: Orbit C3	OAPEL JUE4AURA	SeqNo 03-
Title	UVS/EUV AURORA MAP 3, LO RATE E4 INBD	Instrument UVS
Requestor	UVS-MWG/S.STEPHENS	Team UVS
		Working Group MWG
Time System CDS	Load ID C3C	Calendar Date 12/13/96
		Week 50
Start	JEE+CDS 00051983:00:0	96-348/01:28:18.266
		JEE+036/12:00:35.333
End	JEE+CDS 00052348:00:0	96-348/07:37:21.599
		JEE+036/18:09:38.666
Duration	00000365:00:0	000/06:09:03.333
		000/06:09:03.333
Top Label	C3JUE4AURA03-	
Bottom Label	(UVS/EUV RTS Aurora)	
Plot Key	UVS	Type SCI
CDS Bytes	422	Report Options BOTH
		Scan Platform Yes
CDS Source	PA	Spin State DUAL
		DMS No
Observation Objective		
	UVS/EUV JUPITER AURORA MAP 3 (SOUTHERN AURORA), LOW RATE, E4 INBOUND:	
	From: Cone 91.2 (TARGETING 60 deg South latitude), dark side (first 5 UVS FLUSHes)	
	To: Cone 90.9, bright side (last UVS FLUSH)	
	Data rate: Instrument states last 60 RIMS; thus, 4.87 bps UVS, 4.87 bps EUV	
	OPTRM/UVFLUSH STRATEGY (17,712 bits per UVS or EUV PACKET):	
	UVS/EUV deselected; thus, 60-RIM UVFLUSHes needed to PACKET BOTH, after initial UVFLUSHes	
	WAVELENGTHS (Angstroms):	
	Emission lines: UVS (H2 1253, H2 1611)	
	FULLSCAN P/G (UVS): F 1616.5-3227.9 (CTR 2436.8, STEP 264) [EVEN FRAMES],	
	G 1131.5-1920.1 (CTR 1534.7, STEP 264) [ODD FRAMES]	
Strategy for MINISCANS: Use FULLSCAN F/G for aurora		
Design Detail		
PSID	RIM:mf	CDS PA
384BR	-3	0 COMMENT [UVS RIM 0]
176BQ	-3	15 SCITLM [PAUSE PB]
349MP	1:69	28 UVFLUSH [6UVRT, PACKET, EUV]
157BU	2	38 CMDRS (10+14*2) [PLAN DUR 363, EST UVS CMDS 2]
349MQ	2:69	28 UVFLUSH [6UVRT, DISCRD, UVS]
165BK	3	36 TARGET [CONE 91.20, CLOCK 88.37], UTILITY [7CONE/7STAT, SCAN TYPE 6]
	3	34UVS,07,S,N,N,N,S,0,ON,OFF,ON,ON,OFF,NO,1,00,9C,01,2C [FULLSCAN F/G]
176BR	6	15 SCITLM [RESUME PB]
349MR	61:69	140 UVFLUSH (28*5) [6UVRT, PACKET, BOTH]
...MV		... [REPEAT 4 ADDITIONAL TIMES]
176BW	299	15 SCITLM [PAUSE PB]
349OP	304:69	28 UVFLUSH [6UVRT, DISCRD, BOTH]
165BS	305	36 TARGET [CONE 90.90, CLOCK 88.37], UTILITY [7CONE/7STAT, SCAN TYPE 6]
176BX	308	15 SCITLM [RESUME PB]
349PD	363:69	28 UVFLUSH [6UVRT, PACKET, BOTH]
	365	34UVS,C1,F,N,N,N,S,0,OFF,OFF,ON,OFF,OFF,NO,1,2C,05,00,00 [HVOFF]



Start UTC_TIME : 1996-348 // 01:30:13.612
End UTC_TIME : 1996-348 // 07:56:14.932
Start SCLK : 1/03738000:00:0:0
Delta Time between FOV : 2715.000
FOVs : F Channel(0.1x0.4), N/G Channel(0.5x0.5)

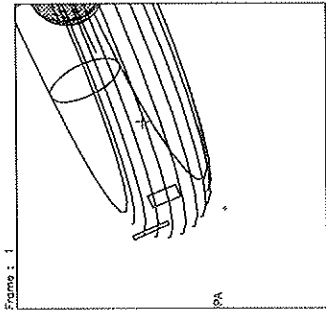
Target Body : JUPIITER
Target Cone/Clock : 90.42 / 89.23 Deg
S/C to Body Center : 3893475. Km (54.460296 Rj)
Z-axis Pointing (Ra / Dec) : 109.00 / 23.40 Deg

Activity ID: Orbit C3		OAPEL TUE4MPRO		SeqNo 04-	
Title	UVS/EUV MIDNIGHT ANSA PROFILE 4, E4 INBD			Instrument	UVS
Requestor	UVS-MWG/S.STEPHENS	Team	UVS	Working Group	MWG
Time System	CDS	Load ID	C3C	Calendar Date	12/13/96
				Week	50
Start	JEE+CDS 00052348:00:0		96-348/07:37:21.599		JEE+036/18:09:38.666
End	JEE+CDS 00052833:00:0		96-348/15:47:44.933		JEE+037/02:20:02.000
Duration	00000485:00:0		000/08:10:23.334		000/08:10:23.334
Top Label	C3TUE4MPRO04-				
Bottom Label	(UVS/EUV RTS Torus)				
Plot Key	UVS	Type	SCI		
CDS Bytes	417	Report Options	BOTH	Scan Platform	Yes
CDS Source	PA	Spin State	DUAL	DMS	No
Observation Objective					
	UVS/EUV IO TORUS MIDNIGHT ANSA RADIAL PROFILE 4, E4 INBOUND:				
	From: 6.56 Rj (outside ribbon) at cone > 90 (ribbon at 5.76 Rj, Sys III W Long 40)				
	To: 5.02 Rj (inside ribbon) at fixed cone				
	Data rate: Instrument states last 60 RIMS; thus, 4.87 bps UVS, 4.87 bps EUV				
	OPTRM/UVFLUSH STRATEGY (17,712 bits per UVS or EUV PACKET):				
	UVS/EUV deselected; thus, 60-RIM UVFLUSHes needed to PACKET BOTH, after initial DISCRD				
	WAVELENGTHS (Angstroms):				
	Emission lines: UVS (S++ 1194, S+ 1259), EUV (S++ 685, S+ 765, O+ 834)				
	1POSN-66STEP G MINISCAN (UVS): G 1174.9-1275.2 (CTR 1225.9, STEP 61) [BOTH FRAMES]				
	Strategy for MINISCANS: Use 66STEP G for S lines, in place of 16STEP N/N and 22STEP N/G				
Design Detail					
PSID	RIM:mf	CDS	PA		
384BT	-2	0		COMMENT [UVS RIM 0]	
176BS	-2	15		SCITLM [PAUSE PB]	
61BG	2	37		LOOPER [LOOP PERIOD 120, NUM LOOPS 4]	
157BV	4	38		CMDRS (10+14*2) [PLAN DUR 61, EST UVS CMDS 2]	
349MW	4:69	28		UVFLUSH [6UVRT, DISCRD, BOTH]	
165BL	5	36		TARGET [CONE 98.48, CLOCK 89.80], UTILITY [7CONE/7STAT, SCAN TYPE 6]	
	5			34UVS,DD,F,N,N,N,S,0,OFF,OFF,ON,ON,OFF,NO,1,48,75,00,00 [66STEP G]	
176BT	6	15		SCITLM [RESUME PB]	
349MX	63:69	112		UVFLUSH (28*4) [6UVRT, PACKET, BOTH]	
	65			34UVS,DD,F,N,N,N,S,0,OFF,OFF,ON,ON,OFF,NO,1,48,75,00,00 [66STEP G]	
349MY	123:69	112		UVFLUSH (28*4) [6UVRT, PACKET, BOTH]	
...NE				... [REPEAT 3 ADDITIONAL TIMES]	
157BW	484	24		CMDRS (10+14*1) [PLAN DUR 1, EST UVS CMDS 1]	
	485			34UVS,C1,F,N,N,N,S,0,OFF,OFF,ON,OFF,OFF,NO,1,2C,05,00,00 [HVOFF]	



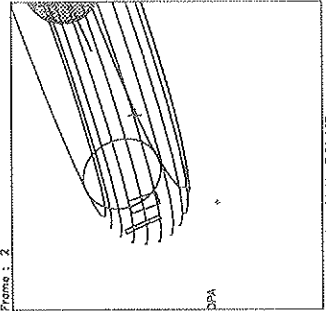
Frame : 0

UTC : 1996-348 // 07:42:18.932
SCLK: 1/03738368:00:00



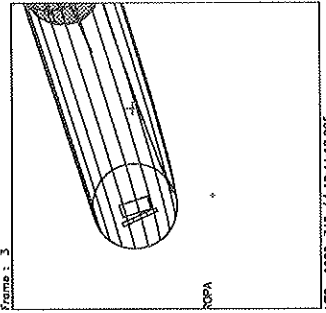
Frame : 1

UTC : 1996-348 // 08:42:58.929
SCLK: 1/03738428:00:00



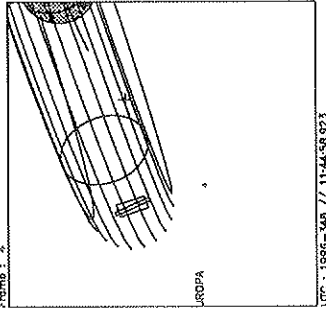
Frame : 2

UTC : 1996-348 // 09:43:38.927
SCLK: 1/03738488:00:00



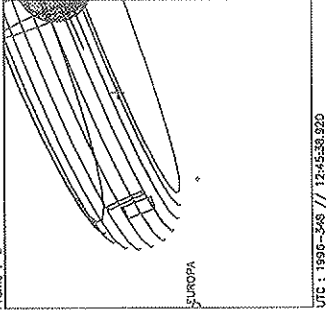
Frame : 3

UTC : 1996-348 // 10:44:18.925
SCLK: 1/03738548:00:00



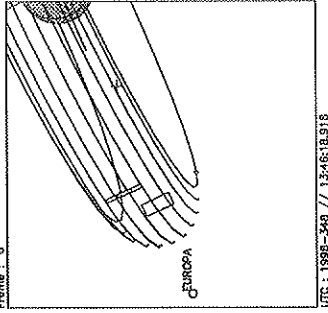
Frame : 4

UTC : 1996-348 // 11:44:58.923
SCLK: 1/03738608:00:00



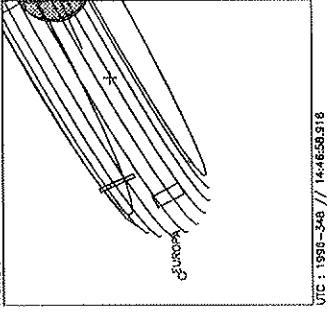
Frame : 5

UTC : 1996-348 // 12:45:38.920
SCLK: 1/03738668:00:00



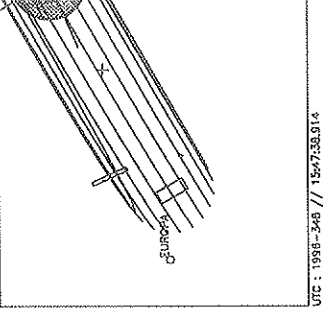
Frame : 6

UTC : 1996-348 // 13:46:18.915
SCLK: 1/03738728:00:00



Frame : 7

UTC : 1996-348 // 14:46:58.918
SCLK: 1/03738788:00:00



Frame : 8

UTC : 1996-348 // 15:47:38.914
SCLK: 1/03738848:00:00

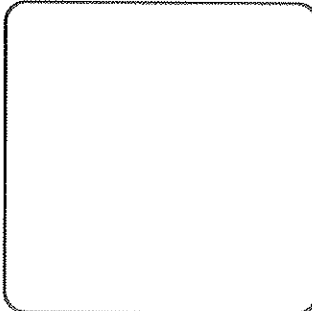
Start UTC_TIME : 1996-348 // 07:42:18.932
 No End Time :
 Start SCLK : 1/03738368:00:00

Target Body : JUPITER
 Target Cone/Clock : 91.48 / 89.23 Deg
 S/C to Body Center : 3794430. Km (53.074892 Rj)
 Z-axis Pointing (Ra / Dec) : 109.00 / 23.40 Deg

Activity ID: Orbit C3	OAPEL TUE4MPRO	SeqNo 05-
Title	UVS/EUV MIDNIGHT ANSA PROFILE 5, E4 INBD	Instrument UVS
Requestor	UVS-MWG/S.STEPHENS	Team UVS
		Working Group MWG
Time System CDS	Load ID C3C	Calendar Date 12/13/96
		Week 50
Start	JEE+CDS 00052833:00:0	96-348/15:47:44.933
		JEE+037/02:20:02.000
End	JEE+CDS 00053378:00:0	96-349/00:58:48.266
		JEE+037/11:31:05.333
Duration	00000545:00:0	000/09:11:03.333
		000/09:11:03.333

Top Label	C3TUE4MPRO05-		
Bottom Label	(UVS/EUV RTS Torus)		
Plot Key	UVS	Type	SCI
CDS Bytes	459	Report Options	BOTH
		Scan Platform	Yes
CDS Source	PA	Spin State	DUAL
		DMS	No

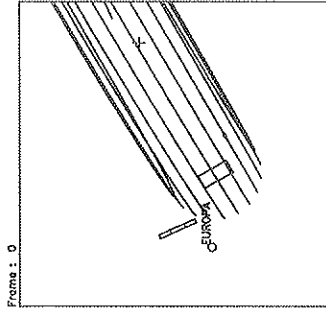
Observation Objective



UVS/EUV IO TORUS MIDNIGHT ANSA RADIAL PROFILE 5, E4 INBOUND:
 From: 6.69 Rj (outside ribbon) at cone > 90 (ribbon at 5.76 Rj, Sys III W Long 353)
 To: 4.88 Rj (inside ribbon) at fixed cone
 Data rate: Instrument states last 60 RIMS; thus, 4.87 bps UVS, 4.87 bps EUV
 OPTRM/UVFLUSH STRATEGY (17,712 bits per UVS or EUV PACKET):
 UVS/EUV deselected; thus, 60-RIM UVFLUSHes needed to PACKET BOTH, after initial DISCRD
 WAVELENGTHS (Angstroms):
 Emission lines: UVS (S++ 1194, S+ 1259), EUV (S++ 685, S+ 765, O+ 834)
 1POSN-66STEP G MINISCAN (UVS): G 1174.9-1275.2 (CTR 1225.9, STEP 61) [BOTH FRAMES]
 Strategy for MINISCANS: Use 66STEP G for S lines, in place of 16STEP N/N and 22STEP N/G

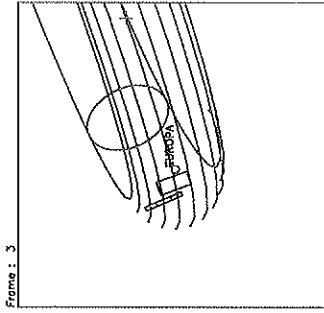
Design Detail

PSID	RIM:mf	CDS	PA
384BU	-2	0	COMMENT [UVS RIM 0]
176BU	-2	15	SCITLM [PAUSE PB]
61BH	2	37	LOOPER [LOOP PERIOD 120, NUM LOOPS 4]
157BX	4	38	CMDRS (10+14*2) [PLAN DUR 61, EST UVS CMDS 2]
349NF	4:69	28	UVFLUSH [6UVRT, DISCRD, BOTH]
165BM	5	36	TARGET [CONE 100.38, CLOCK 89.80], UTILITY [7CONE/7STAT, SCAN TYPE 6]
		5	34UVS,DD,F,N,N,N,S,0,OFF,OFF,ON,ON,OFF,NO,1,48,75,00,00 [66STEP G]
176BV	6	15	SCITLM [RESUME PB]
349NG	63:69	112	UVFLUSH (28*4) [6UVRT, PACKET, BOTH]
		65	34UVS,DD,F,N,N,N,S,0,OFF,OFF,ON,ON,OFF,NO,1,48,75,00,00 [66STEP G]
349NH	123:69	112	UVFLUSH (28*4) [6UVRT, PACKET, BOTH]
...NN			... [REPEAT 3 ADDITIONAL TIMES]
157BY	484	38	CMDRS (10+14*2) [PLAN DUR 61, EST UVS CMDS 2]
		485	34UVS,DD,F,N,N,N,S,0,OFF,OFF,ON,ON,OFF,NO,1,48,75,00,00 [66STEP G]
349NO	543:69	28	UVFLUSH [6UVRT, PACKET, BOTH]
		545	34UVS,C1,F,N,N,N,S,0,OFF,OFF,ON,OFF,OFF,NO,1,2C,05,00,00 [HVOFF]



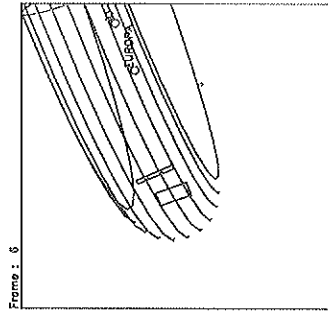
Frame : 0

UTC : 1996-348 // 15:52:42.247
SCLK: 1/03738653000:0



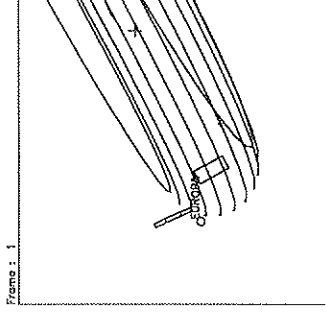
Frame : 1

UTC : 1996-348 // 16:17:27.239
SCLK: 1/03739055465:0



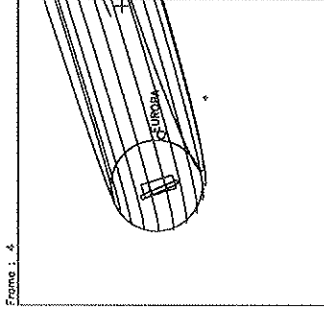
Frame : 2

UTC : 1996-348 // 22:42:12.232
SCLK: 1/03739258000:0



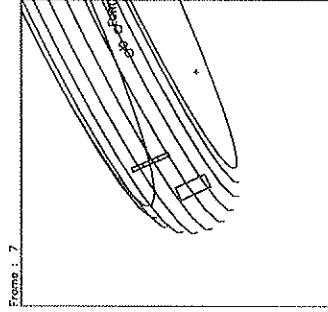
Frame : 3

UTC : 1996-348 // 17:00:57.244
SCLK: 1/03738920455:0



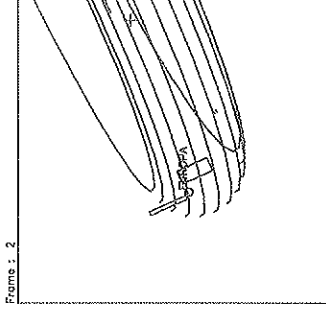
Frame : 4

UTC : 1996-348 // 20:25:42.237
SCLK: 1/03739123000:0



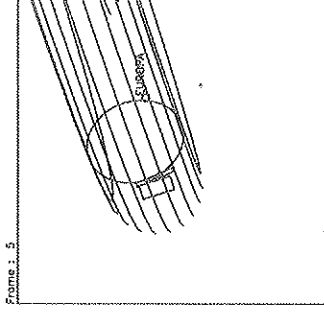
Frame : 5

UTC : 1996-348 // 23:50:27.229
SCLK: 1/03739332545:0



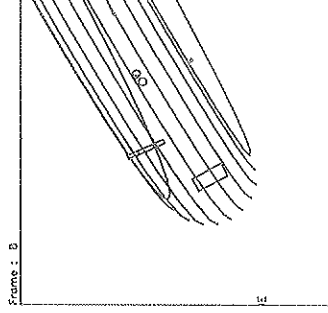
Frame : 6

UTC : 1996-348 // 18:09:12.242
SCLK: 1/03738981000:0



Frame : 7

UTC : 1996-348 // 21:33:57.234
SCLK: 1/03739190455:0



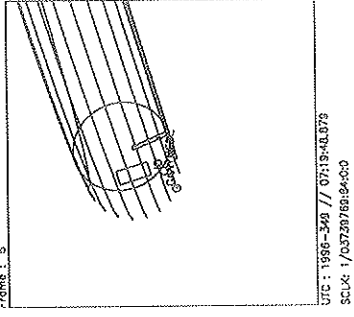
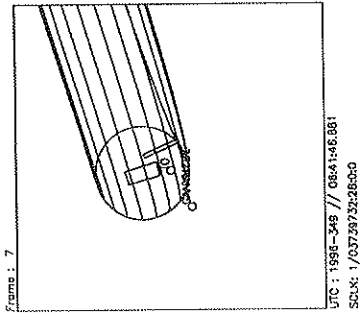
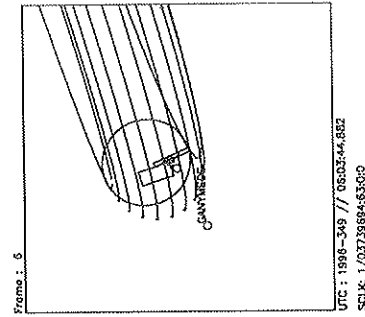
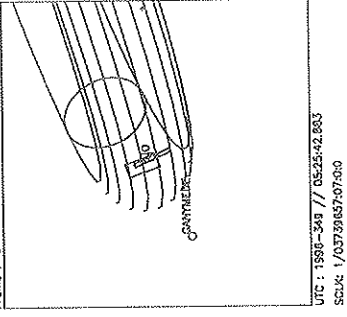
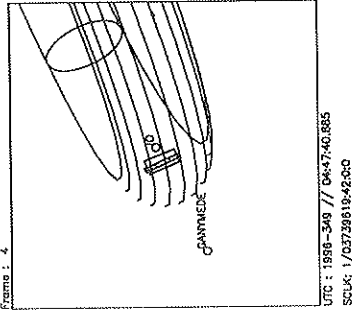
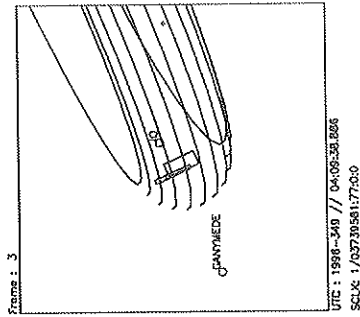
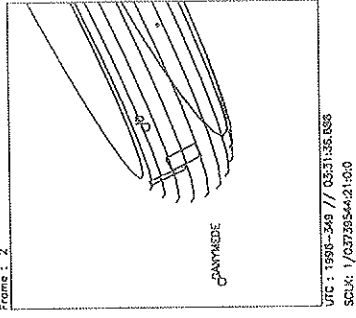
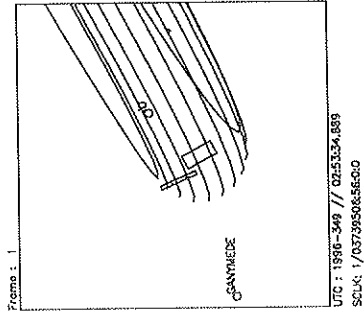
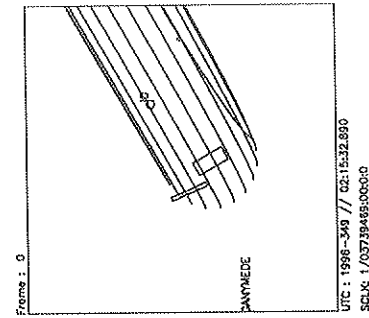
Frame : 8

UTC : 1996-348 // 00:58:42.227
SCLK: 1/03739302000:0

Start UTC_TIME : 1996-348 // 15:52:42.247
 No End Time :
 Start SCLK : 1/03738653:00:0:0

Target Body : JUPITER
 Target Cone/Clock : 92.97 / 89.23 Deg
 S/C to Body Center : 3659263. Km (51.184225 Rj)
 Z-axis Pointing (Ra / Dec) : 109.00 / 23.40 Deg

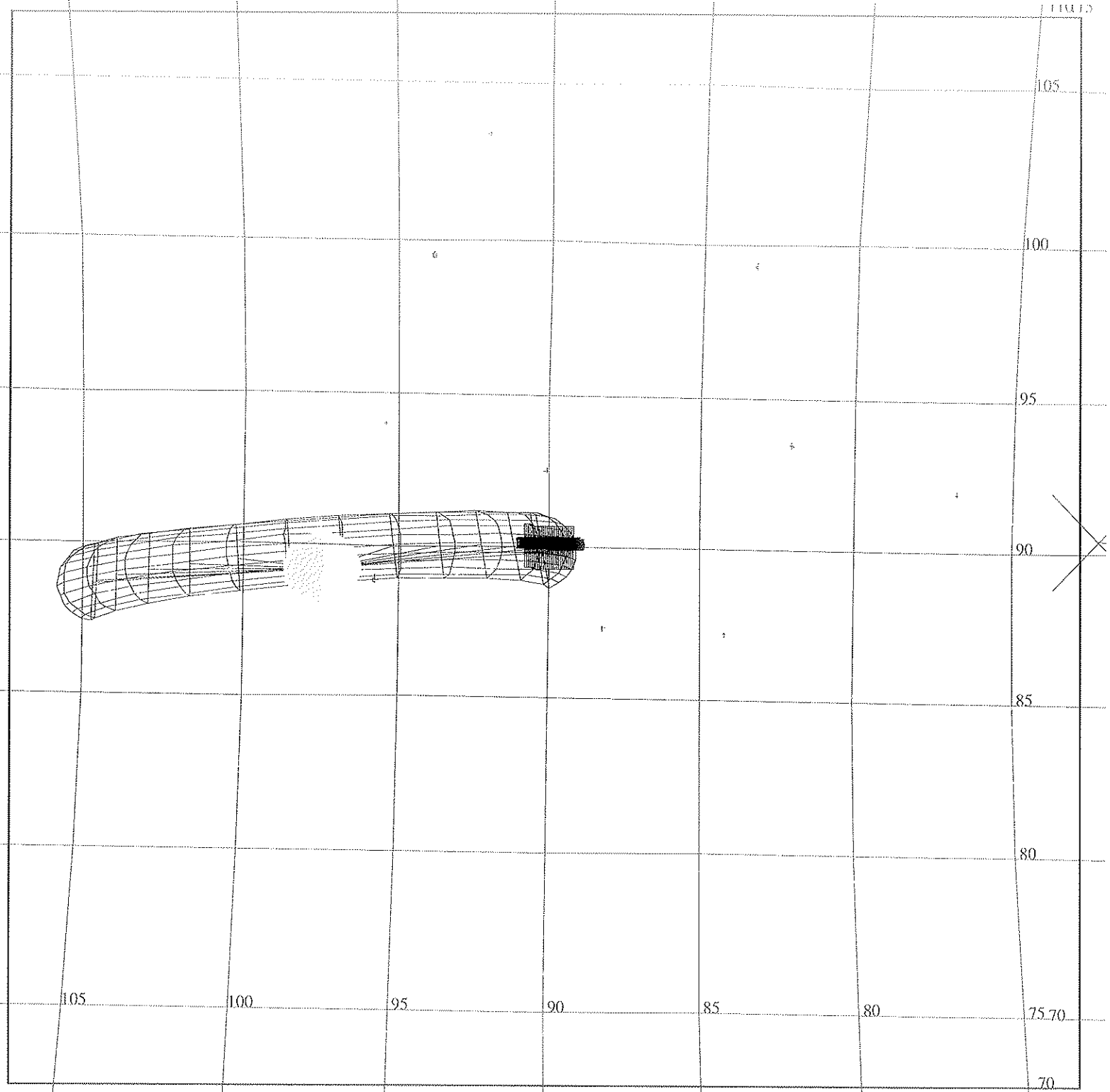
Activity ID: Orbit C3		OAPEL TUE4MPRO		SeqNo 06-	
Title		UVS/EUV MIDNIGHT ANSA PROFILE 6, E4 INBD		Instrument UVS	
Requestor		UVS-MWG/S.STEPHENS		Team UVS	
				Working Group MWG	
Time System CDS		Load ID C3C		Calendar Date 12/14/96	
				Week 50	
Start		JEE+CDS 00053451:00:0		96-349/02:12:36.933	
				JEE+037/12:44:54.000	
End		JEE+CDS 00053755:00:0		96-349/07:19:59.599	
				JEE+037/17:52:16.666	
Duration		00000304:00:0		000/05:07:22.666	
				000/05:07:22.666	
Top Label		C3TUE4MPRO06-			
Bottom Label		(UVS/EUV RTS Torus)			
Plot Key		UVS		Type SCI	
CDS Bytes		326		Report Options BOTH	
				Scan Platform Yes	
CDS Source		PA		Spin State DUAL	
				DMS No	
Observation Objective					
<div style="display: flex; align-items: flex-start;"> <div style="border: 1px solid black; width: 200px; height: 150px; margin-right: 10px;"></div> <div> <p>UVS/EUV IO TORUS MIDNIGHT ANSA RADIAL PROFILE 6, E4 INBOUND: From: 6.29 Rj (outside ribbon) at cone > 90 (ribbon at 5.76 Rj, Sys III W Long 292) To: 5.24 Rj (inside ribbon) at fixed cone Data rate: Instrument states last 60 RIMS; thus, 4.87 bps UVS, 4.87 bps EUV OPTRTM/UVFLUSH STRATEGY (17,712 bits per UVS or EUV PACKET): UVS/EUV deselected; thus, 60-RIM UVFLUSHes needed to PACKET BOTH, after initial UVFLUSHes WAVELENGTHS (Angstroms): Emission lines: UVS (S++ 1194, S+ 1259), EUV (S++ 685, S+ 765, O+ 834) 1POSN-66STEP G MINISCAN (UVS): G 1174.9-1275.2 (CTR 1225.9, STEP 61) [BOTH FRAMES] Strategy for MINISCANS: Use 66STEP G for S lines, in place of 16STEP N/N and 22STEP N/G</p> </div> </div>					
Design Detail					
PSID	RIM:mf	CDS	PA		
384BV	0	0		COMMENT [UVS RIM 0]	
349NP	2:69	28		UVFLUSH [6UVRT, PACKET, EUV]	
157BZ	3	94		CMDRS (10+14*6) [PLAN DUR 301, EST UVS CMDS 6]	
349NQ	3:69	28		UVFLUSH [6UVRT, DISCRD, UVS]	
165BN	4	36		TARGET [CONE 102.38, CLOCK 89.15]	
		4		34UVS,DD,F,N,N,N,S,0,OFF,OFF,ON,ON,OFF,NO,1,48,75,00,00 [66STEP G]	
349NR	62:69	28		UVFLUSH [6UVRT, PACKET, BOTH]	
		64		34UVS,DD,F,N,N,N,S,0,OFF,OFF,ON,ON,OFF,NO,1,48,75,00,00 [66STEP G]	
349NS	122:69	28		UVFLUSH [6UVRT, PACKET, BOTH]	
		124		34UVS,DD,F,N,N,N,S,0,OFF,OFF,ON,ON,OFF,NO,1,48,75,00,00 [66STEP G]	
349NT	182:69	28		UVFLUSH [6UVRT, PACKET, BOTH]	
		184		34UVS,DD,F,N,N,N,S,0,OFF,OFF,ON,ON,OFF,NO,1,48,75,00,00 [66STEP G]	
349NU	242:69	28		UVFLUSH [6UVRT, PACKET, BOTH]	
		244		34UVS,DD,F,N,N,N,S,0,OFF,OFF,ON,ON,OFF,NO,1,48,75,00,00 [66STEP G]	
349PE	302:69	28		UVFLUSH [6UVRT, PACKET, BOTH]	
		304		34UVS,C1,F,N,N,N,S,0,OFF,OFF,ON,OFF,OFF,NO,1,2C,05,00,00 [HVOFF]	



Start UTC_TIME : 1996-349 // 02:15:32.890
 No End Time :
 Start SCLK : 1/03739495:00:0:0

Target Body : JUPITER
 Target Cone/Clock : 95.03 / 89.22 Deg
 S/C to Body Center : 3479579. Km (48.670890 Ri)
 Z-axis Pointing (Ra / Dec) : 109.00 / 23.40 Deg

Activity ID: Orbit C3	OAPEL TUE4NANS	SeqNo 01-
Title	UVS/EUV NOON ANSA MAP 1, LO RATE E4 INBD	Instrument UVS
Requestor	UVS-MWG/S.STEPHENS	Team UVS
		Working Group MWG
Time System CDS	Load ID C3C	Calendar Date 12/14/96
		Week 50
Start	JEE+CDS 00053868:00:0	96-349/09:14:14.933
		JEE+037/19:46:32.000
End	JEE+CDS 00053990:00:0	96-349/11:17:36.266
		JEE+037/21:49:53.333
Duration	00000122:00:0	000/02:03:21.333
		000/02:03:21.333
Top Label	C3TUE4NANS01-	
Bottom Label	(UVS/EUV RTS Torus)	
Plot Key	UVS	Type SCI
CDS Bytes	186	Report Options BOTH
		Scan Platform Yes
CDS Source	PA	Spin State DUAL
		DMS No
Observation Objective		
	UVS/EUV IO TORUS NOON ANSA MAP 1, LOW RATE, E4 INBOUND:	
	From: 5.33 Rj (inside ribbon) at cone 90 (ribbon at 5.76 Rj, Sys III W Long 40)	
	To: 5.64 Rj at cone 90	
	Data rate: Instrument states last 60 RIMS; thus, 4.87 bps UVS, 4.87 bps EUV	
	OPTRM/UVFLUSH STRATEGY (17,712 bits per UVS or EUV PACKET):	
	UVS/EUV deselected; thus, 60-RIM UVFLUSHes needed to PACKET BOTH, after initial UVFLUSHes	
	WAVELENGTHS (Angstroms):	
	Emission lines: UVS (S++ 1194, S+ 1259), EUV (S++ 685, S+ 765, O+ 834)	
	1POSN-66STEP G MINISCAN (UVS): G 1174.9-1275.2 (CTR 1225.9, STEP 61) [BOTH FRAMES]	
	Strategy for MINISCANS: Use 66STEP G for S lines, in place of 16STEP N/N and 22STEP N/G	
Design Detail		
PSID	RIM:mf	CDS PA
384BW	0	0 COMMENT [UVS RIM 0]
349NV	0:69	28 UVFLUSH [6UVRT, DISCRD, EUV]
157KA	1	38 CMDRS (10+14*2) [PLAN DUR 61, EST UVS CMDS 2]
349NW	1:69	28 UVFLUSH [6UVRT, DISCRD, UVS]
165BO	2	36 TARGET [CONE 90.00, CLOCK 90.00]
	2	34UVS,DD,F,N,N,N,S,0,OFF,OFF,ON,ON,OFF,NO,1,48,75,00,00 [66STEP G]
349NX	60:69	28 UVFLUSH [6UVRT, PACKET, BOTH]
	62	34UVS,DD,F,N,N,N,S,0,OFF,OFF,ON,ON,OFF,NO,1,48,75,00,00 [66STEP G]
349NY	120:69	28 UVFLUSH [6UVRT, PACKET, BOTH]



165BO/TT= 0 TMC= 1 C= 0.00 XC= 0.00 BS= 0/8111 TC= 2(90 90)
 A= 364 pD= 87360 SR=17.450 RA50=195.71 DEC50= -7.55 cone= 90.00 clock= 90.00

DESIGN G2.0 lisac:10/14/1996 15:33:40

FILE:P.C3TUE4NANS01

CENTRAL BODY:JUPITER III

MINI:m.C3TUE4NANS01

S PH:/DATA/NAVIO/T-960909-TOUR.NS

PERIAPSIS:

THINNING: :UVS 10

START:JEE 96-311/13:27:42.933 +CDS 53870:00:0 BODY PLOT TIME:CENTER-TIME D=87360 S= 0.070

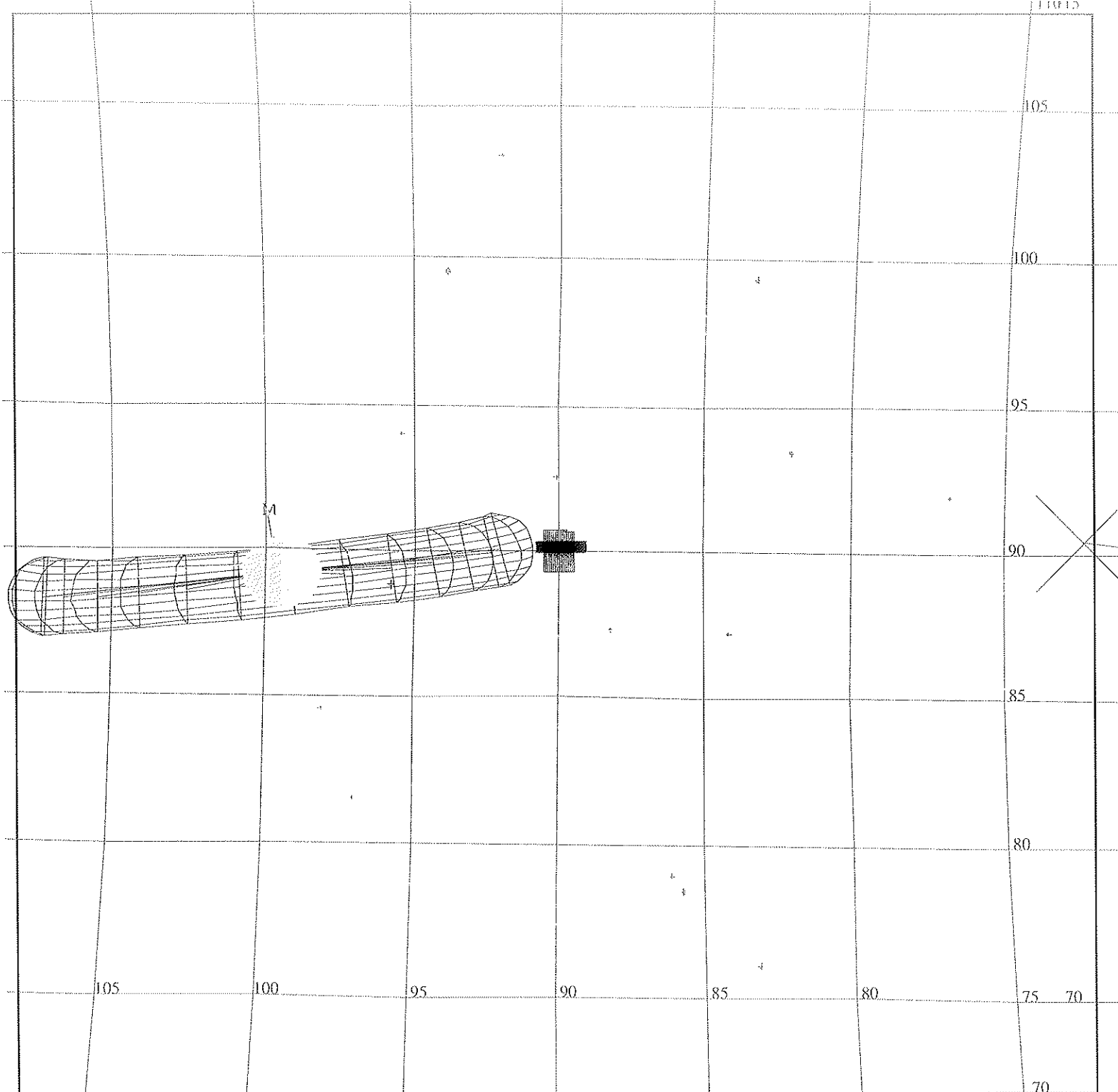
OBSERVATION:C3TUE4NANS01

DESCRIP:UVS/EUV NOON ANSA E4 IN LORATE 1

Activity ID:	Orbit C3	OAPEL TUE4NANS	SeqNo	02-
Title	UVS/EUV NOON ANSA MAP 2, HI RATE E4 INBD		Instrument	UVS
Requestor	UVS-MWG/S.STEPHENS	Team	UVS	Working Group MWG
Time System	CDS	Load ID	C3C	Calendar Date 12/14/96 Week 50
Start	JEE+CDS 00053990:00:0		96-349/11:17:36.266	JEE+037/21:49:53.333
End	JEE+CDS 00054110:00:0		96-349/13:18:56.266	JEE+037/23:51:13.333
Duration	00000120:00:0		000/02:01:20.000	000/02:01:20.000
Top Label	C3TUE4NANS02-			
Bottom Label	(UVS/EUV RTS Torus)			
Plot Key	UVS	Type	SCI	
CDS Bytes	178	Report Options	BOTH	Scan Platform Yes
CDS Source	PA	Spin State	DUAL	DMS No
Observation Objective				
<div style="border: 1px solid black; padding: 5px;"> <p>UVS/EUV IO TORUS NOON ANSA MAP 2, HIGH RATE (RIBBON), E4 INBOUND: From: 5.64 Rj at cone 90 (ribbon at 5.76 Rj, Sys III W Long 40) To: 5.95 Rj at cone 90 Data rate: Instrument states last 30 RIMS; thus, 9.73 bps UVS, 9.73 bps EUV OPTRTM/UVFLUSH STRATEGY (17,712 bits per UVS or EUV PACKET): UVS/EUV deselected; thus, 30-RIM UVFLUSHes needed to PACKET BOTH WAVELENGTHS (Angstroms): Emission lines: UVS (S++ 1194, S+ 1259), EUV (S++ 685, S+ 765, O+ 834) 1POSN-66STEP G MINISCAN (UVS): G 1174.9-1275.2 (CTR 1225.9, STEP 61) [BOTH FRAMES] Strategy for MINISCANS: Use 66STEP G for S lines, in place of 16STEP N/N and 22STEP N/G</p> </div>				
Design Detail				
PSID	RIM:mf	CDS	PA	
384BX	-1	0		COMMENT [UVS RIM 0]
157KB	-1	66		CMDRS (10+14*4) [PLAN DUR 91, EST UVS CMDS 4]
349NZ	28:69	28		34UVS,DD,F,N,N,N,S,0,OFF,OFF,ON,ON,OFF,NO,1,48,75,00,00 [66STEP G]
349OA	58:69	28		UVFLUSH [6UVRT, PACKET, BOTH]
349OB	88:69	28		34UVS,DD,F,N,N,N,S,0,OFF,OFF,ON,ON,OFF,NO,1,48,75,00,00 [66STEP G]
349OC	118:69	28		UVFLUSH [6UVRT, PACKET, BOTH]

Activity ID: Orbit C3		OAPEL TUE4NANS		SeqNo 31-	
Title		UVS/EUV NOON ANSA MAP 3-1, LO RT E4 INBD		Instrument UVS	
Requestor		UVS-MWG/S.STEPHENS		Team UVS	
				Working Group MWG	
Time System CDS		Load ID C3C		Calendar Date 12/14/96	
				Week 50	
Start		JEE+CDS 00054110:00:0		96-349/13:18:56.266	
				JEE+037/23:51:13.333	
End		JEE+CDS 00054350:00:0		96-349/17:21:36.266	
				JEE+038/03:53:53.333	
Duration		00000240:00:0		000/04:02:40.000	
				000/04:02:40.000	
Top Label		C3TUE4NANS31-			
Bottom Label		(UVS/EUV RTS Torus)			
Plot Key		UVS		Type SCI	
CDS Bytes		192		Report Options BOTH	
				Scan Platform Yes	
CDS Source		PA		Spin State DUAL	
				DMS No	
Observation Objective					
<div style="border: 1px solid black; padding: 5px;"> <p>UVS/EUV IO TORUS NOON ANSA MAP 3 (PART 1), LOW RATE, E4 INBOUND: From: 5.95 Rj at cone 90 (ribbon at 5.76 Rj, Sys III W Long 40) To: 6.56 Rj at cone 90 Data rate: Instrument states last 60 RIMS; thus, 4.87 bps UVS, 4.87 bps EUV OPTRIM/UVFLUSH STRATEGY (17,712 bits per UVS or EUV PACKET): UVS/EUV deselected; thus, 60-RIM UVFLUSHes needed to PACKET BOTH WAVELENGTHS (Angstroms): Emission lines: UVS (S++ 1194, S+ 1259), EUV (S++ 685, S+ 765, O+ 834) 1POSN-66STEP G MINISCAN (UVS): G 1174.9-1275.2 (CTR 1225.9, STEP 61) [BOTH FRAMES] Strategy for MINISCANS: Use 66STEP G for S lines, in place of 16STEP N/N and 22STEP N/G</p> </div>					
Design Detail					
PSID	RIM:mf	CDS PA			
384BY	-1	0	COMMENT {UVS RIM 0}		
157KC	-1	80	CMDRS {10+14*5} {PLAN DUR 241, EST UVS CMDS 5}		
	0		34UVS, DD, F, N, N, N, S, 0, OFF, OFF, ON, ON, OFF, NO, 1, 48, 75, 00, 00 [66STEP G]		
3490D	58:69	28	UVFLUSH [6UVRT, PACKET, BOTH]		
	60		34UVS, DD, F, N, N, N, S, 0, OFF, OFF, ON, ON, OFF, NO, 1, 48, 75, 00, 00 [66STEP G]		
3490E	118:69	28	UVFLUSH [6UVRT, PACKET, BOTH]		
	120		34UVS, DD, F, N, N, N, S, 0, OFF, OFF, ON, ON, OFF, NO, 1, 48, 75, 00, 00 [66STEP G]		
3490F	178:69	28	UVFLUSH [6UVRT, PACKET, BOTH]		
	180		34UVS, DD, F, N, N, N, S, 0, OFF, OFF, ON, ON, OFF, NO, 1, 48, 75, 00, 00 [66STEP G]		
3490G	238:69	28	UVFLUSH [6UVRT, PACKET, BOTH]		
	240		34UVS, C1, F, N, N, N, S, 0, OFF, OFF, ON, OFF, OFF, NO, 1, 2C, 05, 00, 00 [HVOPF]		

Activity ID: Orbit C3		OAPEL TUE4NANS		SeqNo 32-	
Title UVS/EUV NOON ANSA MAP 3-2, LO RT E4 INBD			Instrument UVS		
Requestor UVS-MWG/S.STEPHENS		Team UVS		Working Group MWG	
Time System CDS	Load ID C3C	Calendar Date 12/14/96	Week 50		
Start	JEE+CDS 00054429:00:0	96-349/18:41:28.933	JEE+038/05:13:46.000		
End	JEE+CDS 00054733:00:0	96-349/23:48:51.599	JEE+038/10:21:08.666		
Duration	00000304:00:0	000/05:07:22.666	000/05:07:22.666		
Top Label C3TUE4NANS32-					
Bottom Label (UVS/EUV RTS Torus)					
Plot Key UVS	Type SCI				
CDS Bytes 326	Report Options BOTH	Scan Platform Yes			
CDS Source PA	Spin State DUAL	DMS No			
Observation Objective					
<div style="border: 1px solid black; padding: 5px;"> <p>UVS/EUV IO TORUS NOON ANSA MAP 3 (PART 2), LOW RATE, E4 INBOUND: From: 6.78 Rj at cone 90 (ribbon at 5.76 Rj, Sys III W Long 40) To: 7.54 Rj (near end of C3C) at cone 90 Data rate: Instrument states last 60 RIMS; thus, 4.87 bps UVS, 4.87 bps EUV OPTRIM/UVFLUSH STRATEGY (17,712 bits per UVS or EUV PACKET): UVS/EUV deselected; thus, 60-RIM UVFLUSHes needed to PACKET BOTH, after initial UVFLUSHes WAVELENGTHS (Angstroms): Emission lines: UVS (S++ 1194, S+ 1259), EUV (S++ 685, S+ 765, O+ 834) 1POSN-66STEP G MINISCAN (UVS): G 1174.9-1275.2 (CTR 1225.9, STEP 61) [BOTH FRAMES] Strategy for MINISCANS: Use 66STEP G for S lines, in place of 16STEP N/N and 22STEP N/G</p> </div>					
Design Detail					
PSID	RIM:mf	CDS PA			
384BZ	0	0	COMMENT [UVS RIM 0]		
349OH	2:69	28	UVFLUSH [6UVRT, PACKET, EUV]		
157KD	3	94	CMDRS (10+14*6) [PLAN DUR 301, EST UVS CMDS 6]		
349OI	3:69	28	UVFLUSH [6UVRT, DISCRD, UVS]		
165BP	4	36	TARGET [CONE 90.00, CLOCK 90.00]		
			34UVS,DD,F,N,N,N,S,0,OFF,OFF,ON,ON,OFF,NO,1,48,75,00,00 [66STEP G]		
349OJ	62:69	28	UVFLUSH [6UVRT, PACKET, BOTH]		
	64		34UVS,DD,F,N,N,N,S,0,OFF,OFF,ON,ON,OFF,NO,1,48,75,00,00 [66STEP G]		
349OK	122:69	28	UVFLUSH [6UVRT, PACKET, BOTH]		
	124		34UVS,DD,F,N,N,N,S,0,OFF,OFF,ON,ON,OFF,NO,1,48,75,00,00 [66STEP G]		
349OL	182:69	28	UVFLUSH [6UVRT, PACKET, BOTH]		
	184		34UVS,DD,F,N,N,N,S,0,OFF,OFF,ON,ON,OFF,NO,1,48,75,00,00 [66STEP G]		
349OM	242:69	28	UVFLUSH [6UVRT, PACKET, BOTH]		
	244		34UVS,DD,F,N,N,N,S,0,OFF,OFF,ON,ON,OFF,NO,1,48,75,00,00 [66STEP G]		
349ON	302:69	28	UVFLUSH [6UVRT, PACKET, BOTH]		
	304		34UVS,C1,F,N,N,N,S,0,OFF,OFF,ON,OFF,OFF,NO,1,2C,05,00,00 [HVOFF]		



165BP:TT= 0 TMC= 1 C= 0.00 XC= 0.00 BS= 0/0577 TC= 2(90.0 90)
 A= 728 pD= 54600 SR=17.450 RA90=195.71 DEC50=-7.55 cone= 90.00 clock= 90.00

DESIGN G2.0 lisac:10/14/1996 15:35:46

FILE:P.C3TUE4NANS32

CENTRAL BODY:JUPITER III

MINI:m.C3TUE4NANS32

S H:/DATA/NAVIO/T-960909-TOUR.NS

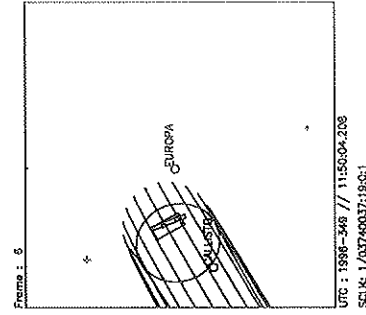
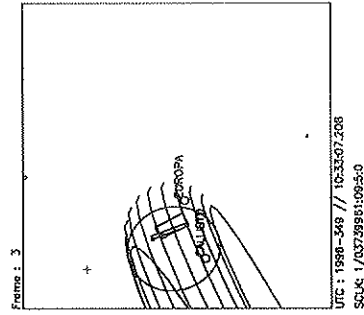
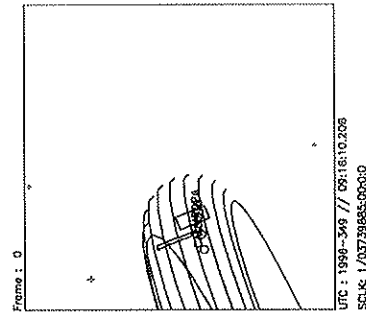
PERIAPSIS:

THINNING: :UVS 10

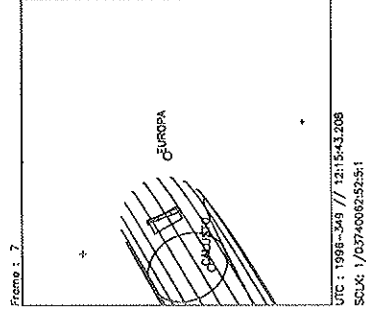
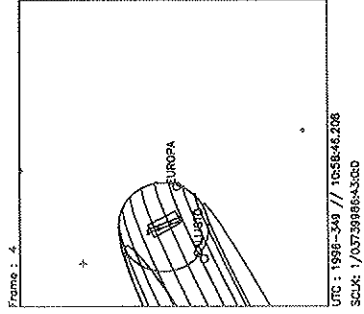
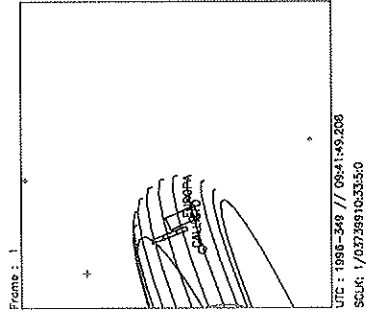
START:JEE 96-311/13:27:42.933 +CDS 54433:00:0 BODY PLOT TIME:CENTER-TIME D=54600 S= 0.070

OBSERVATION:C3TUE4NANS32

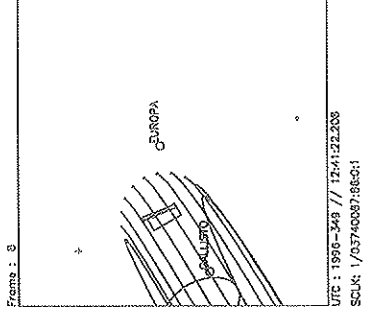
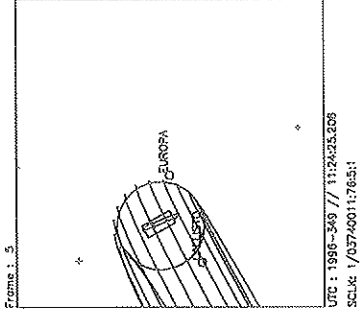
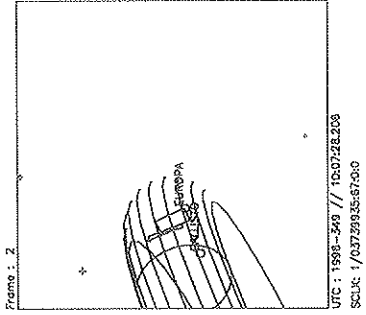
DESCRIP:UVS/EUV NOON ANSA E4 IN LORATE 2

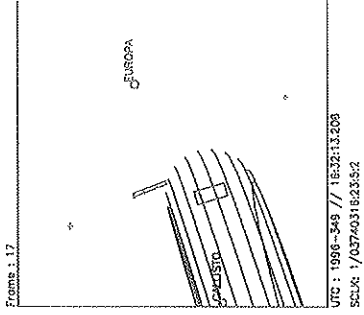
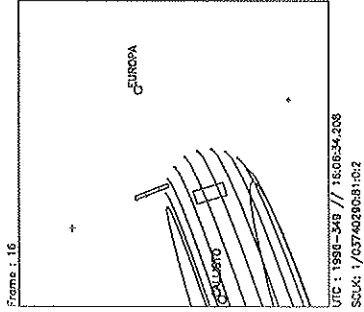
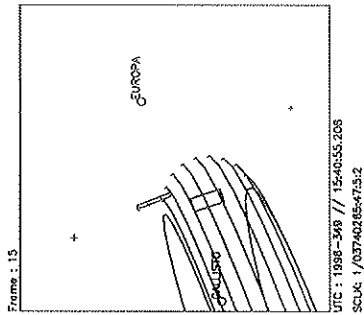
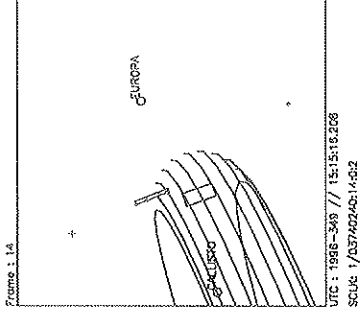
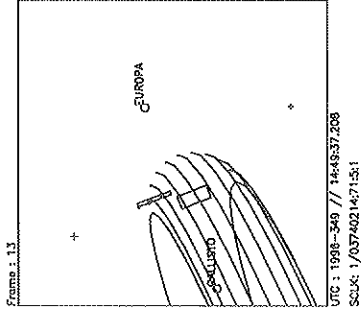
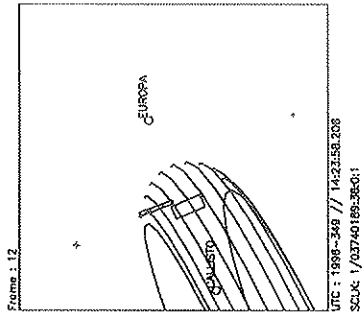
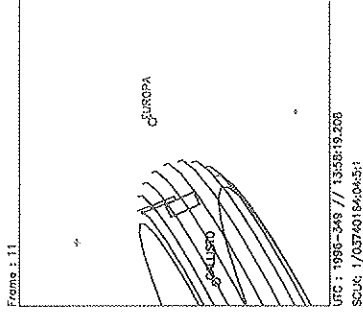
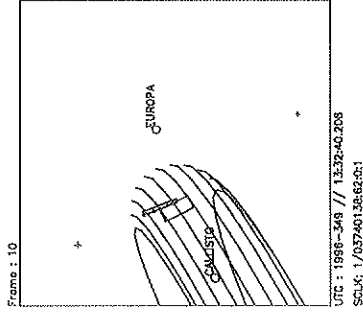
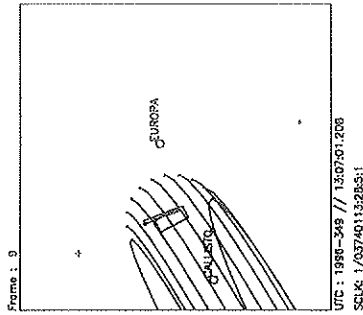


Start UTC_TIME : 1996-349 // 09:16:10.208
End UTC_TIME : 1996-349 // 23:48:45.509
Start SCLK : 1/03739885:00:0.0
Delta Time between FOV : 1539.000
FOVs : F Channel(0.1x0.4), N/G Channel(0.5x0.5)



Target Body : JUPITER
Target Cone/Clock : 96.55 / 89.22 Deg
S/C to Body Center : 3352838. Km (46.898082 Ri)
Z-axis Pointing (Ro / Dec) : 109.00 / 23.40 Deg



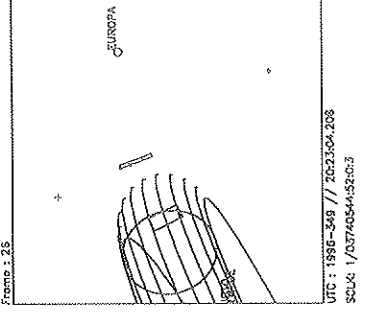
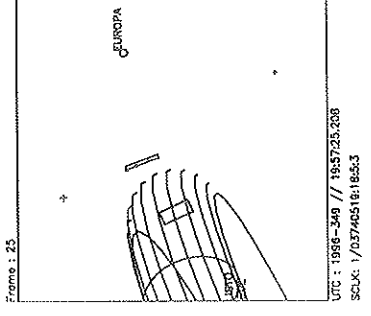
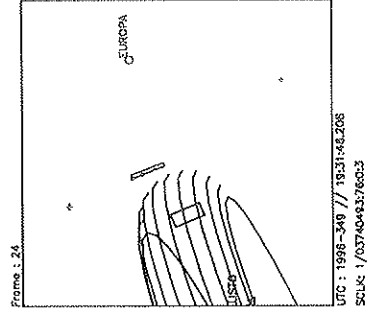
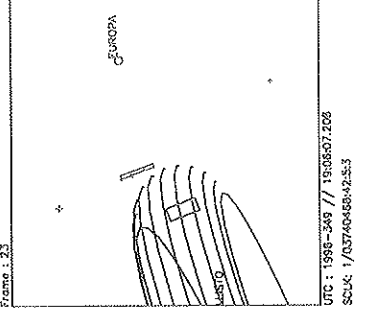
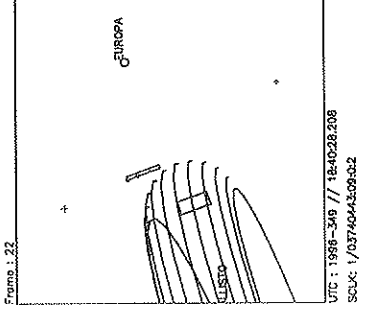
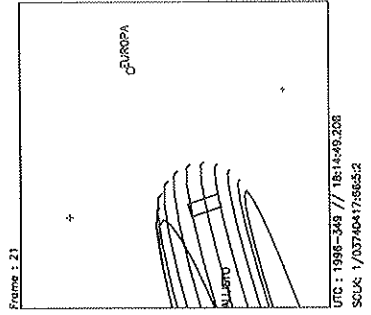
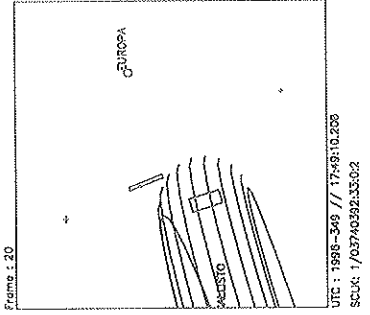
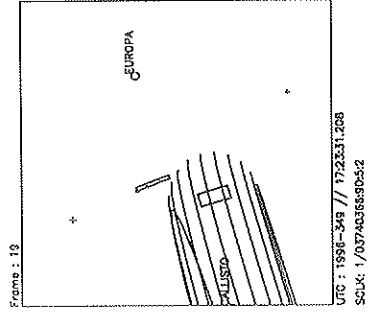
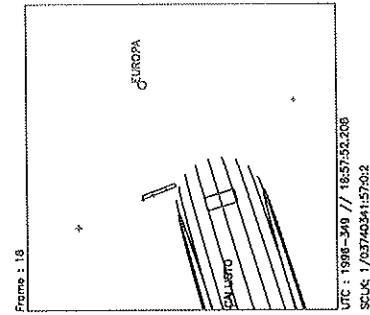


Start UTC.TIME : 1996-349 // 09:16:10.208
End UTC.TIME : 1996-349 // 23:48:45.509
Start SCLK : 1/03759885:00:0:0
Delta Time between FOV : 1539.000
FOVs : F Channel(0.1x0.4), N/G Channel(0.5x0.5)

Target Body : JUPITER
Target Cone/Clock : 97.44 / 89.22 Deg
S/C to Body Center : 3281519. Km (45.897707 Rj)
Z-axis Pointing (Ra / Dec) : 109.00 / 23.40 Deg

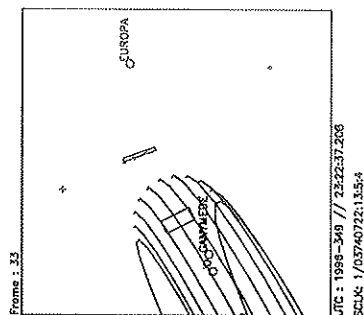
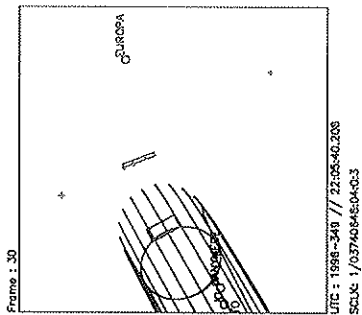
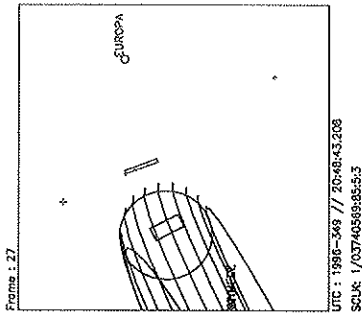
C3C Noon Ans .map (C3C FA)

Tue Oct 22 22:19:36 1996

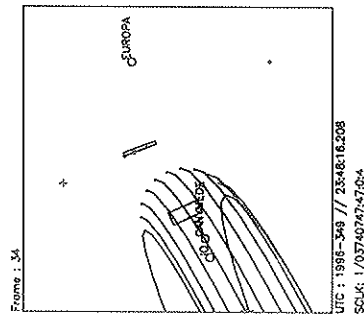
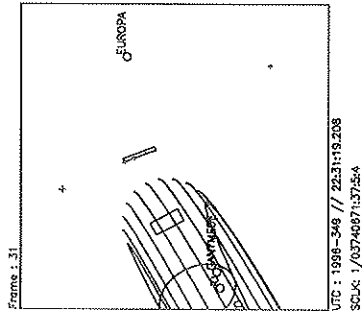
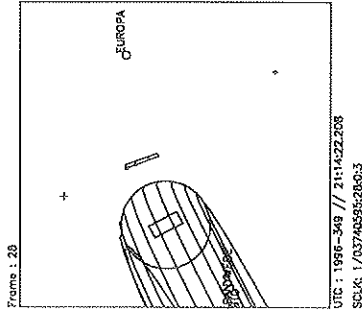


Start UTC_TIME : 1996-349 // 09:16:10.208
 End UTC_TIME : 1996-349 // 23:48:45.509
 Start SCLK : 1/03739885:00:0
 Delta Time between FOV : 1539.000
 FOVs : F Channel(0.1x0.4), N/G Channel(0.5x0.5)

Target Body : JUPITER
 Target Cone/Clock : 98.36 / 89.22 Deg
 S/C to Body Center : 3208353. Km (44.877085 Rj)
 Z-axis Pointing (Ra / Dec) : 109.00 / 23.40 Deg



Start UTC_TIME : 1996-349 // 09:16:10.208
 End UTC_TIME : 1996-349 // 23:48:45.509
 Start SCLK : 1/03739885:00:0:0
 Delta Time between FOV : 1539.000
 FOVs : F Channel(0.1x0.4), N/G Channel(0.5x0.5)



Target Body : JUPITER
 Target Cone/Clock : 99.33 / 89.22 Deg
 S/C to Body Center : 3133891. Km (43.835545 Rj)
 Z-axis Pointing (Ro / Dec) : 109.00 / 23.40 Deg

