

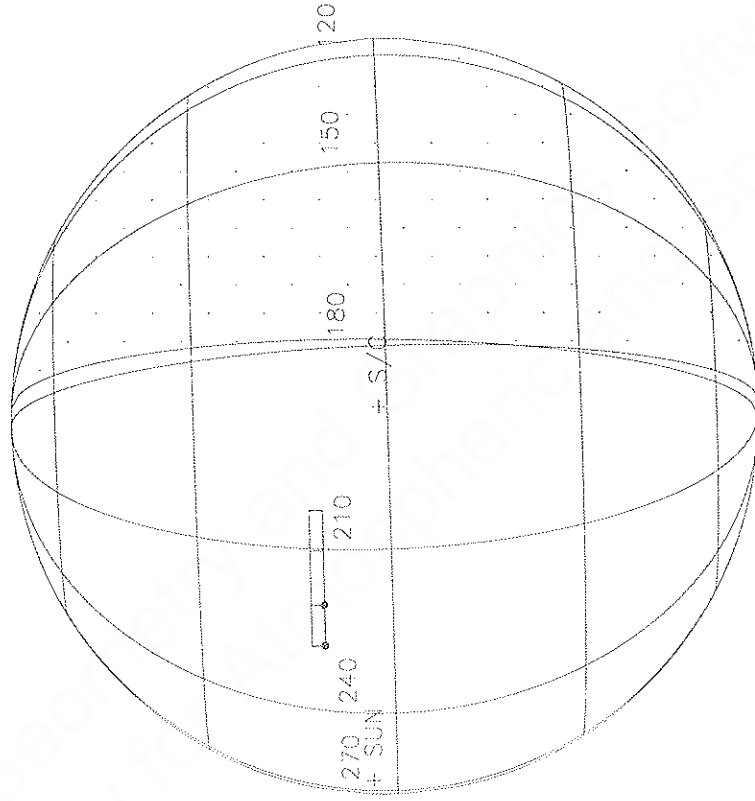
NOTE: SLIT ORIENTATION
ON GRAPHICS IS INCORRECT;
SLIT CENTER LOCATION IS
CORRECT. ALIGN SLIT WITH
N/S AXIS.

KES

Activity ID: Orbit 20	OAPEL CUFEATRE	SeqNo 03+		
Title UVS r/a Callisto Feature 3		Instrument UVS		
Requestor UVS-SWG/W. SWEET X30523	Team UVS	Working Group SWG		
Time System CDS	Load ID 20A	Calendar Date 05/05/99 Week 70		
Start CEE+CDS 00000092:00:0	99-125/15:29:15.333	CEE+000/01:33:01.333		
End CEE+CDS 00000106:00:0	99-125/15:43:24.666	CEE+000/01:47:10.666		
Duration 00000014:00:0	000/00:14:09.333	000/00:14:09.333		
Top Label 20CUFEATRE03+				
Bottom Label NIMS ride-along				
Plot Key UVS	Type SCI			
CDS Bytes 38	Report Options BOTH	Scan Platform Yes		
CDS Source OAP	Spin State DUAL	DMS Yes		
Observation Objective				
<p>20CUFEATRE03: Ride-along with the NIMS 20CNFEATRE03 observation to observe features on Callisto in the 1600Å to 3200Å wavelength regions at phase angles not obtainable from the Earth. Data will supplement and complement the NIMS surface property measurements.</p> <p>Rj = 26.7, sunlight UVS configuration: full F/F scans.</p> <p>MBTG = ((1008 bps) * (607 sec)) * 0.333 (compression) = 0.204 (0.480 total allocated, 0.080 PBK)</p> <p>SELECT time DESELECT time MBTG 99-125/15:33:13.999 99-125/15:37:11.999 0.080</p>				
Design Detail				
PSTD	CDS	RIM	COMMAND	PARAMETERS
384CF	00	00:00	COMMNT	UVS RIM 0
157CF	38	03:00	CMDRS	
		04:00	1	34UVS,07,S,N,N,N,S,0, ON,OFF,OFF, ON,OFF,NOOVR,1,00,9C,00,00
		14:00	11	34UVS,C1,F,N,N,N,S,0,OFF,OFF, ON,OFF,OFF,NOOVR,1,2C,05,00,00

Mon Apr 5 23:15:14 1999

Z0CNFEATRE03



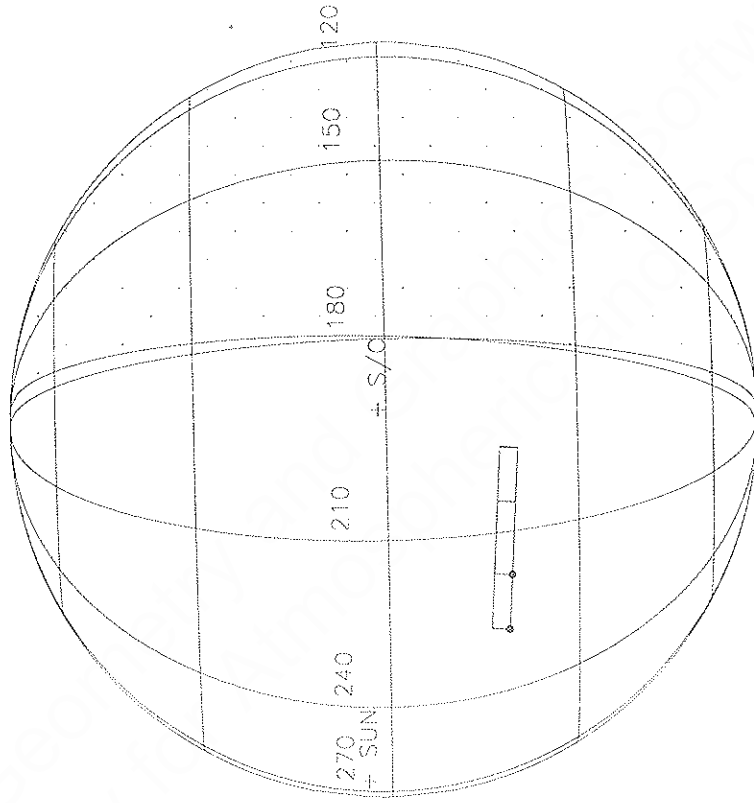
Start UTC_TIME : 1999-125 // 15:33:12.930
No End Time :
Start SCLK : 1/04982140:00:00

Target Body : CALLISTO
Target Ra/Dec : 92.38 / 25.03 Deg
S/C to Body Center : 49178.98 Km (20.465660 Rc)
Z-axis Pointing (Ra / Dec) : 198.35 / -3.06 Deg

Activity ID: Orbit 20	OAPEL CUBBRANCR	SeqNo 01+									
Title	UVS r/a Callisto Global Map	Instrument UVS									
Requestor	UVS-SWG/W. SWEET X30523	Team UVS Working Group SWG									
Time System CDS	Load ID 20A	Calendar Date 05/05/99 Week 70									
Start	CEE+CDS 00000125:00:0	99-125/16:02:37.333 CEE+000/02:06:23.333									
End	CEE+CDS 00000142:00:0	99-125/16:19:48.666 CEE+000/02:23:34.666									
Duration	00000017:00:0	000/00:17:11.333 000/00:17:11.333									
Top Label	20CUBBRANCR01+										
Bottom Label	NIMS ride-along										
Plot Key	UVS	Type SCI									
CDS Bytes	38	Report Options BOTH Scan Platform Yes									
CDS Source	OAP	Spin State DUAL DMS Yes									
Observation Objective											
<p>20CUBBRANCR01: Ride-along with the NIMS 20CNBRANCR01 observation to observe Callisto's Bran crater at 204 deg longitude in the 1600Å to 3200Å wavelength region at phase angles not obtainable from the Earth. Data will supplement and complement the NIMS atmosphere measurements.</p> <p>Rj = 27.0, sunlight UVS configuration: full F/F scans.</p> <p>MBTG = ((1008 bps) * (789)) * 0.333 (compression) = 0.265 (0.480 total allocated; 0.120 PBK)</p> <table border="0"> <tr> <td>SELECT time</td> <td>DESELECT time</td> <td>MBTG</td> </tr> <tr> <td>99-125/16:07:33.000</td> <td>99-125/16:10:39.333</td> <td>0.063</td> </tr> <tr> <td>99-125/16:14:29.000</td> <td>99-125/16:17:18.000</td> <td>0.057</td> </tr> </table>			SELECT time	DESELECT time	MBTG	99-125/16:07:33.000	99-125/16:10:39.333	0.063	99-125/16:14:29.000	99-125/16:17:18.000	0.057
SELECT time	DESELECT time	MBTG									
99-125/16:07:33.000	99-125/16:10:39.333	0.063									
99-125/16:14:29.000	99-125/16:17:18.000	0.057									
Design Detail											
PSID	CDS	RIM	COMMAND	PARAMETERS							
384CG	00	00:00	COMMNT	UVS RIM 0							
157CG	38	03:00	CMDRS								
		04:00	1	34UVS,07,S,N,N,N,S,0, ON,OFF,OFF, ON,OFF,NOOVR,1,00,9C,00,00							
		17:00	14	34UVS,C1,F,N,N,N,S,0, OFF,OFF, ON,OFF,OFF,NOOVR,1,2C,05,00,00							

Mon Apr 5 23:16:33 1999

20CNBRANCRO1



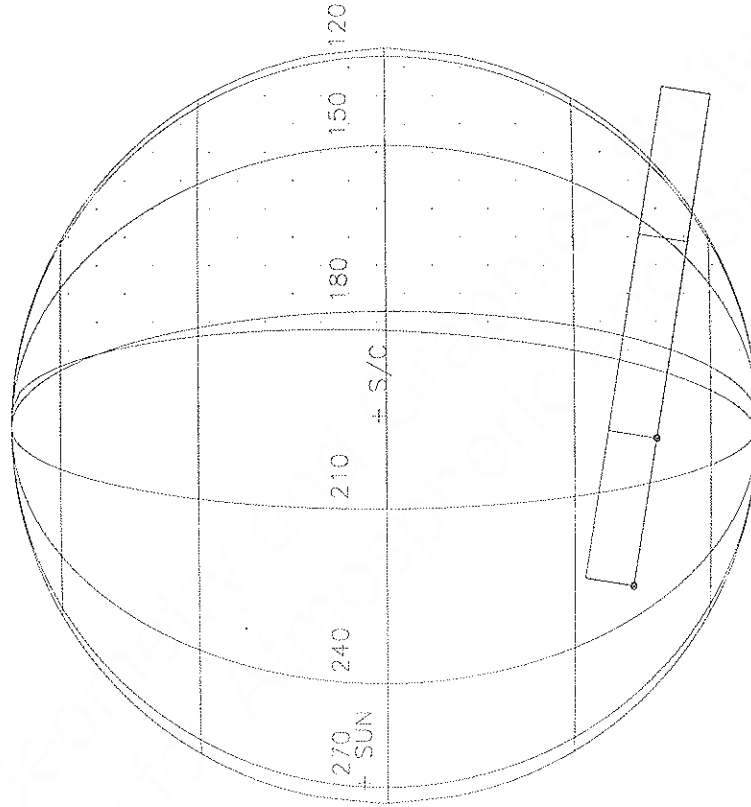
Start UFC.TIME : 1999-125 // 16:06:34.928
No End Time :
Start SCLK : 1/04982173:00:00

Target Body : CALLISTO
Target Ro/Dec : 91.13 / 25.11 Deg
S/C to Body Center : 66018.60 Km (27.473410 Rc)
Z-axis Pointing (Ro / Dec) : 198.35 / -3.06 Deg

Activity ID: Orbit 20	OAPEL CUGLOBAL	SeqNo 01+									
Title	UVS r/a Callisto Global Map	Instrument UVS									
Requestor	UVS-SWG/W. SWEET X30523	Team UVS Working Group SWG									
Time System CDS	Load ID 20A	Calendar Date 05/05/99 Week 70									
Start	CEE+CDS 00000350:00:0	99-125/19:50:07.333 CEE+000/05:53:53.333									
End	CEE+CDS 00000382:00:0	99-125/20:22:28.666 CEE+000/06:26:14.666									
Duration	00000032:00:0	000/00:32:21.333 000/00:32:21.333									
Top Label	20CUGLOBAL01+										
Bottom Label	NIMS ride-along										
Plot Key	UVS	Type SCI									
CDS Bytes	38	Report Options BOTH Scan Platform Yes									
CDS Source	OAP	Spin State DUAL DMS Yes									
Observation Objective											
<p>20CUGLOBAL01: Ride-along with the NIMS 20CUGLOBAL01 observation to observe Callisto in the 1600Å to 3200Å wavelength regions at phase angles not obtainable from the Earth. Data will supplement and complement the NIMS surface property measurements.</p> <p>Rj = 28.5, sunlight UVS configuration: full F/F scans.</p> <p>MBTG = ((1008 bps) * (1699)) * 0.333 (compression) = 0.571 (0.480 total allocated; 0.212 PBK)</p> <table border="0"> <tr> <td>SELECT time</td> <td>DESELECT time</td> <td>MBTG</td> </tr> <tr> <td>99-125/20:03:38.666</td> <td>99-125/20:12:44.666</td> <td>0.183</td> </tr> <tr> <td>99-125/20:15:16.333</td> <td>99-125/20:16:43.000</td> <td>0.029</td> </tr> </table>			SELECT time	DESELECT time	MBTG	99-125/20:03:38.666	99-125/20:12:44.666	0.183	99-125/20:15:16.333	99-125/20:16:43.000	0.029
SELECT time	DESELECT time	MBTG									
99-125/20:03:38.666	99-125/20:12:44.666	0.183									
99-125/20:15:16.333	99-125/20:16:43.000	0.029									
Design Detail											
PSID	CDS	RIM	COMMAND	PARAMETERS							
384CH	00	00:00	COMMNT	UVS RIM 0							
157CH	38	03:00	CMDRS								
		04:00	1	34UVS,07,S,N,N,N,S,0,ON,OFF,OFF,ON,OFF,NOOVR,1,00,9C,00,00							
		32:00	29	34UVS,C1,F,N,N,N,S,0,OFF,OFF,ON,OFF,OFF,NOOVR,1,2C,05,00,00							

Mon Apr 5 23:18:40 1999

Z0CNCGLOBAL01



Start UTC TIME : 1999-125 // 19:54:04.921

No End Time :

Start SOLK : 1/04982398:00:0:0

Target Body : CALLISTO

Target Ra/Dec : 88.86 / 25.23 Deg

S/C to Body Center : 181258.4 Km (75.430056 Rc)

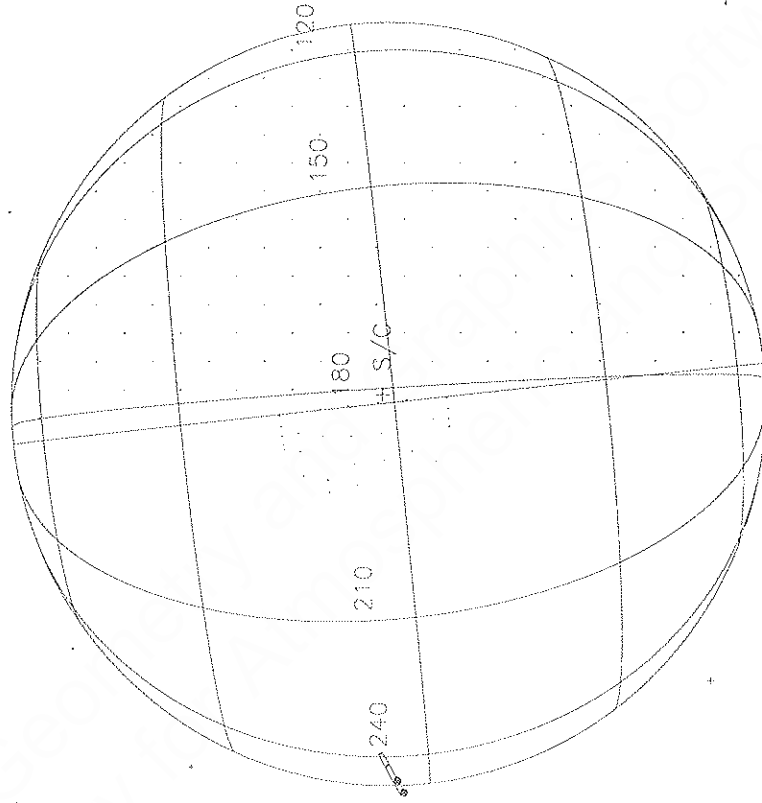
Z-axis Pointing (Rc / Dec) : 198.35 / -3.06 Deg



Activity ID: Orbit 20		OAPEL CUCATMOS		SeqNo 01+							
Title	UVS r/a Callisto Global Map			Instrument	UVS						
Requestor	UVS-SWG/W. SWEET X30523	Team	UVS	Working Group	SWG						
Time System	CDS	Load ID	20A	Calendar Date	05/05/99						
				Week	70						
Start	CEE+CDS 00000028:00:0		99-125/14:24:32.666		CEE+000/00:28:18.666						
End	CEE+CDS 00000041:00:0		99-125/14:37:41.333		CEE+000/00:41:27.333						
Duration	00000013:00:0		000/00:13:08.667		000/00:13:08.667						
Top Label	20CUCATMOS01+										
Bottom Label	NIMS ride-along										
Plot Key	UVS	Type	SCI								
CDS Bytes	38	Report Options	BOTH	Scan Platform	Yes						
CDS Source	OAP	Spin State	DUAL	DMS	Yes						
Observation Objective											
<div style="border: 1px solid black; padding: 5px;"> <p>20CUCATMOS01: Ride-along with the NIMS 20CNCATMOS01 observation to observe Callisto tenuous atmosphere. Data will complement the NIMS atmosphere measurements.</p> <p>Rj = 26.2 , sunlight</p> <p>UVS configuration: 1216-1216 16-step Ly-a mini-scans</p> <p>MBTG = ((1008 bps) * (607)) * 0.333 (compression) = 0.204 (0.480 total allocated, 0.206 PBR)</p> <table border="0"> <tr> <td>SELECT time</td> <td>DESELECT time</td> <td>MBTG</td> </tr> <tr> <td>99-125/14:27:30.666</td> <td>99-125/14:37:42.333</td> <td>0.206</td> </tr> </table> <p>[Note: cone 87; waiver G-14]</p> </div>						SELECT time	DESELECT time	MBTG	99-125/14:27:30.666	99-125/14:37:42.333	0.206
SELECT time	DESELECT time	MBTG									
99-125/14:27:30.666	99-125/14:37:42.333	0.206									
Design Detail											
PSID	CDS	RIM	COMMAND PARAMETERS								
384CD	00	00:00	COMMNT UVS RIM 0								
157CD	38	02:00	CMDRS								
		03:00	1	34UVS.D1.F.N.N.N.S.0.OFF.OFF. ON. ON.OFF.NOOVR.1.5A.45.00.00							
		13:00	11	34UVS.C1.F.N.N.N.S.0.OFF.OFF. ON.OFF.OFF.NOOVR.1.2C.05.00.00							

Mon Apr 5 23:11:17 1999

Z0CNCATMOS01



Start UTC_TIME : 1999-125 // 14:27:29.599
No End Time :
Start SCLK : 1/04982075:00:0:0

Target Body : CALLISTO
Target Ro/Dec : 102.35 / 24.02 Deg
S/C to Body Center : 16204.17 Km (6.7433103 Rc)
Z-axis Pointing (Rc / Dec) : 198.35 / -3.06 Deg