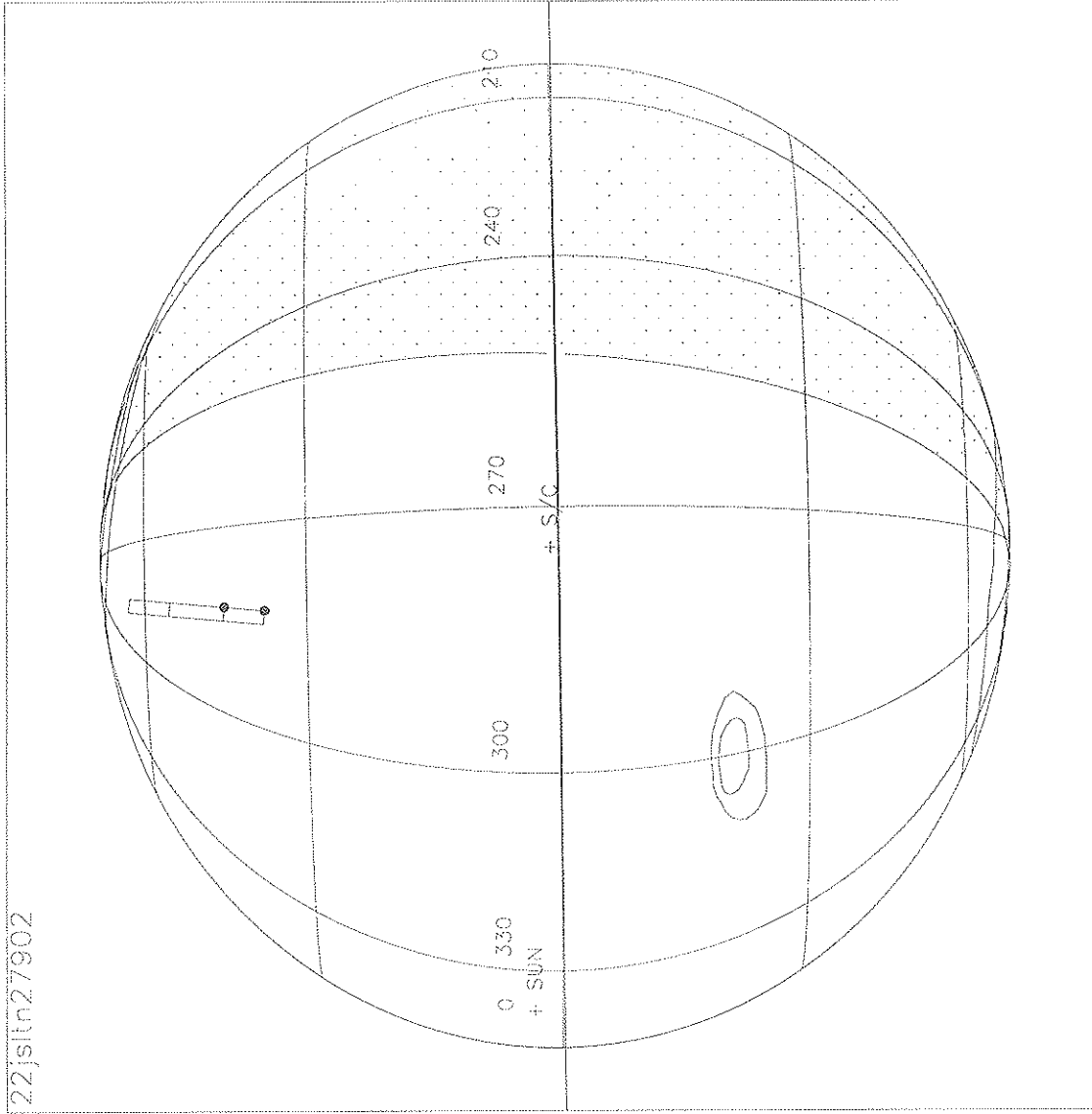


Activity ID: Orbit 22		OAPEL JULTN279		SeqNo 02-	
Title	UVS AWG feature track			Instrument	UVS
Requestor	UVS-AWG/W.KENT TOBISKA	Team	UVS	Working Group	AWG
Time System	CDS	Load ID	22A	Calendar Date	08/13/99 Week 85
Start	JEE+CDS 00001301:00:0		99-225/08:54:15.066	JEE+000/21:55:27.333	
End	JEE+CDS 00001305:00:0		99-225/08:58:17.733	JEE+000/21:59:30.000	
Duration	00000004:00:0		000/00:04:02.667	000/00:04:02.667	
Top Label	22JULTN27902-				
Bottom Label	realtime				
Plot Key	UVS	Type	SCI		
CDS Bytes	94	Report Options	BOTH	Scan Platform	Yes
CDS Source	OAP	Spin State	DUAL	DMS	Yes
Observation Objective					
<div style="border: 1px solid black; width: 150px; height: 100px; display: inline-block; vertical-align: top;"></div> <p>22JULTN27902: AWG feature track with SSI to look at +51.6 latitude feature.</p> <p>Rj = 15.3</p> <p>UVS configuration: full F/F scans.</p> <p>MBTG = 0.017712</p>					
Design Detail					
PSID	CDS	RIM	COMMAND PARAMETERS		
384AA	00	00:00	COMMNT UVS RIM 0		
157AA	38	-01:00	CMDRS PLAN_DUR = 3 RIMS; EST_UVS_CMDS = 2 (34UVS)		
		00:00	1 UVF:07, SCAN, NORM, NORM, NORM, SAME, 0, ON, OFF, OFF, ON, OFF, NOOVR, 1, 00, 9C, 00, 00		
		02:00	3 OFF:07, SCAN, NORM, NORM, NORM, SAME, 0, ON, OFF, OFF, OFF, OFF, NOOVR, 1, 00, 9C, 00, 00		
349AA	28	00:69	UVFLSH DISCRD, UVS		
165IP	00	02:00	TARGET Lat/Lon = 51.54/284.11; SSI target (RA/Dec=90.31/27.98)		
349AB	28	02:69	UVFLSH PACKET, UVS		
<p>20,01</p> <p>OK</p>					

Tue Sep 14 21:12:27 1999

22jstn27902



Start UTC_TIME : 1999-225 // 08:54:15.066

No End Time :

Start SCLK : 1/05:24:53:06:1:5

Target Body : JUPITER

Target Ra/Dec : 89.85 / 25.30 Deg

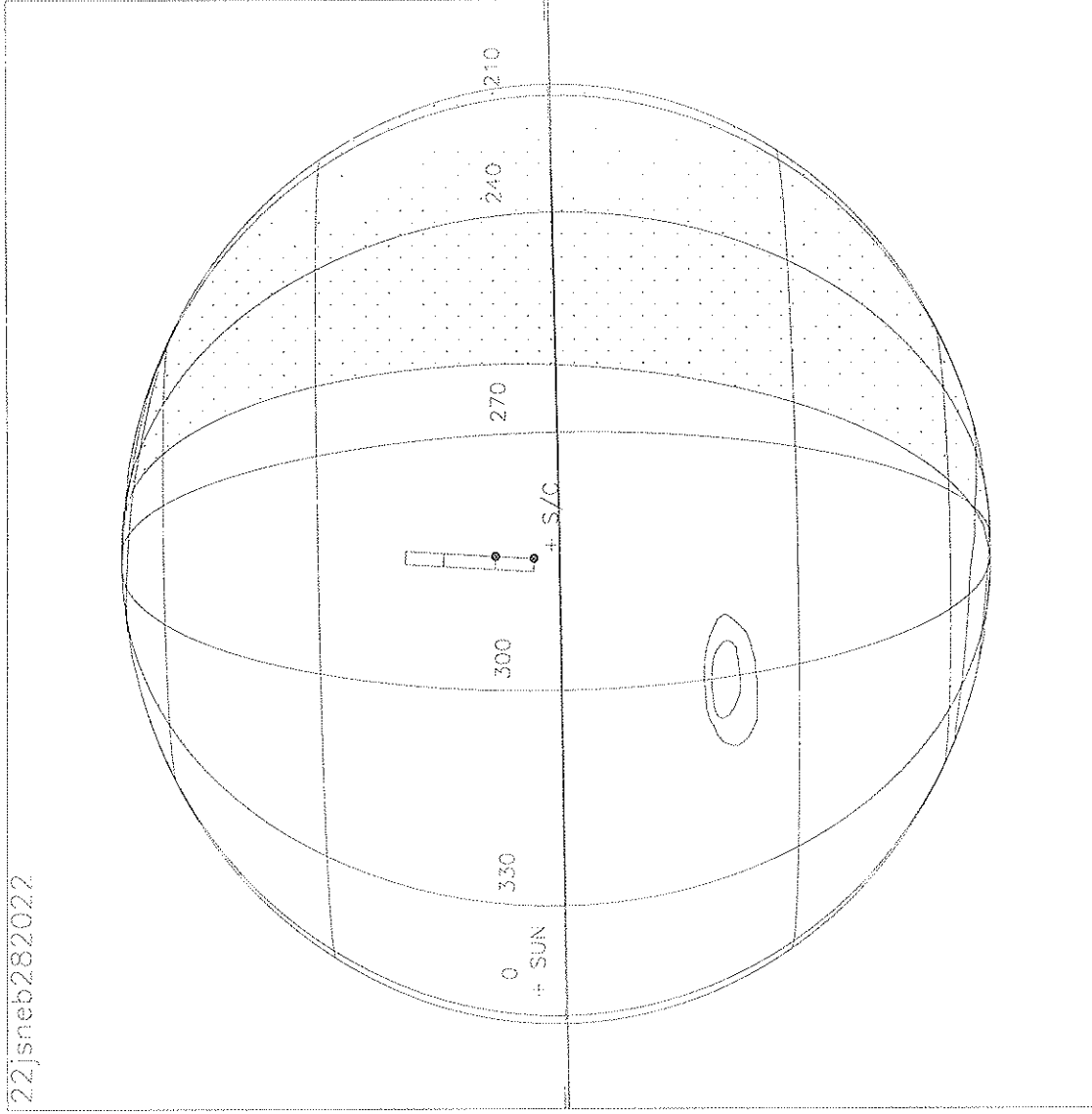
S/C to Body Center : 1130991. Km (15.819822 RJ)

Z-axis Pointing (Ra / Dec) : 211.19 / -11.27 Deg

Activity ID: Orbit 22		OAPEL JUNE282		SeqNo 02-	
Title	UVS AWG feature track			Instrument	UVS
Requestor	UVS-AWG/W.KENT TOBISKA	Team	UVS	Working Group	AWG
Time System	CDS	Load ID	22A	Calendar Date	08/13/99
				Week	85
Start	JEE+CDS 00001316:00:0		99-225/09:09:25.066		JEE+000/22:10:37.333
End	JEE+CDS 00001320:00:0		99-225/09:13:27.733		JEE+000/22:14:40.000
Duration	00000004:00:0		000/00:04:02.667		000/00:04:02.667
Top Label	22JUNEB28202-				
Bottom Label	realtime				
Plot Key	UVS	Type	SCI		
CDS Bytes	94	Report Options	BOTH		
CDS Source	OAP	Spin State	DUAL		
			Scan Platform	Yes	
			DMS	Yes	
Observation Objective					
<div style="border: 1px solid black; padding: 5px;"> <p>22JUNEB28202: AWG feature track with SSI to look at +12.0 latitude feature.</p> <p>Rj = 15.8</p> <p>UVS configuration: full F/F scans.</p> <p>MBTG = 0.017712</p> </div>					
Design Detail					
PSID	CDS	RIM	COMMAND PARAMETERS		
384AB	00	00:00	COMMNT UVS RIM 0		
157AB	38	-01:00	CMDRS PLAN_DUR = 3 RIMS; EST_UVS_CMDS = 2 (34UVS)		
		00:00	1 UVF:07,SCAN,NORM,NORM,NORM,SAME,0,ON,OFF,OFF,ON,OFF,NOOVR,1,00,9C,00,00		
		02:00	3 OFF:07,SCAN,NORM,NORM,NORM,SAME,0,ON,OFF,OFF,OFF,OFF,NOOVR,1,00,9C,00,00		
349AC	28	00:69	UVFLSH DISCRD,UVS		
165IR	00	02:00	TARGET Lat/Lon = 12.05/284.98; SSI target (RA/Dec=90.41/25.98)		
349AD	28	02:69	UVFLSH PACKET,UVS		

Tue Sep 14 21:17:53 1999

22jsneb282022

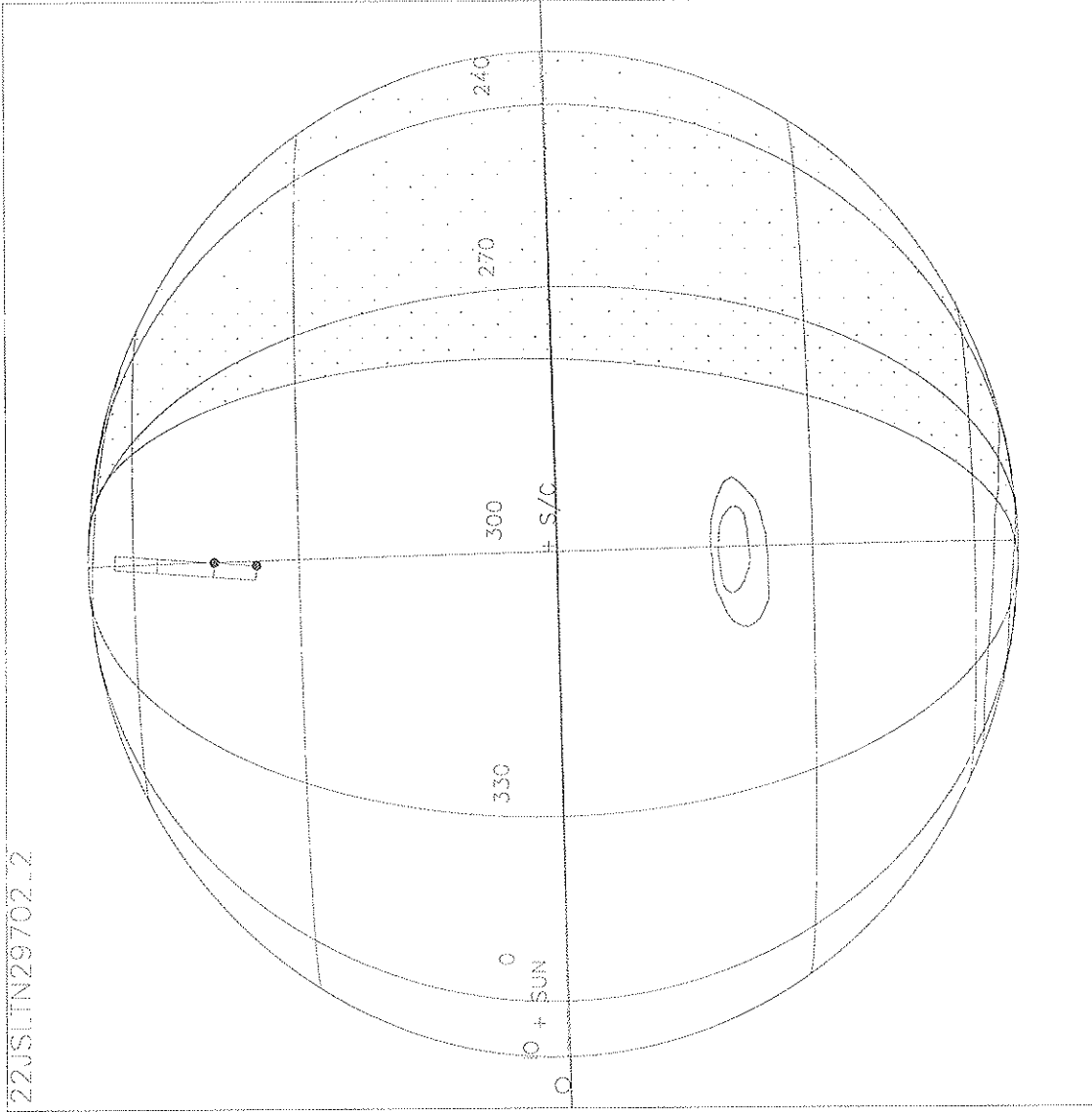


Start UTC_TIME : 1999-225 // 09:09:25.066
No End Time :
Start SCLK : 1/05124178:06.1:6

Target Body : JUPITER
Target Ra/Dec : 90.34 / 25.30 Deg
S/C to Body Center : 1139687. Km (15.841460 Ri)
Z-axis Pointing (Ra / Dec) : 211.19 / -11.27 Deg

Tue Sep 14 21:20:44 1999

22JSLIN29702_2

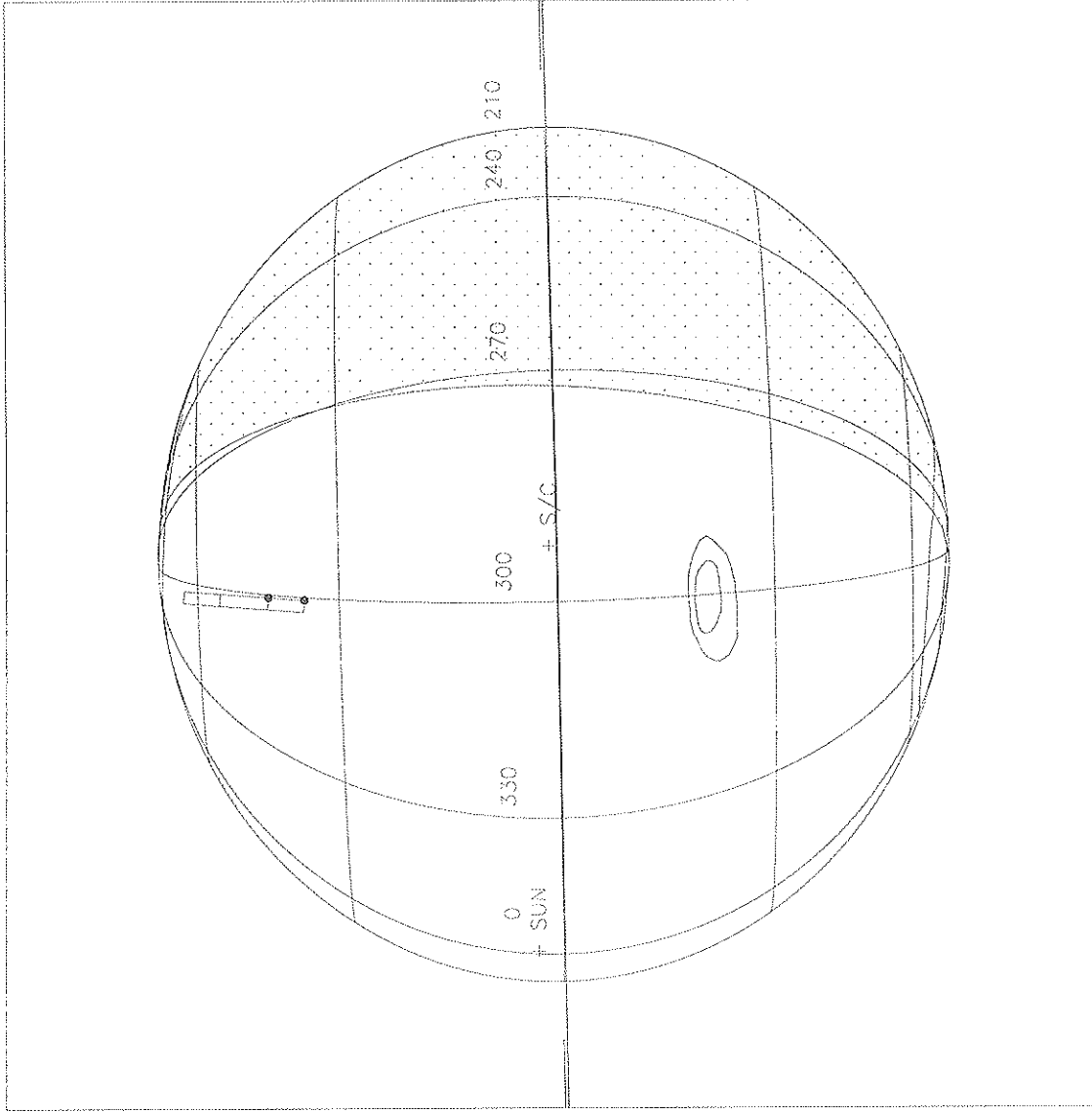


Start UFC.TIME : 1999-225 // 00:37:35.123
No End Time :
Start SCLK : 1/05124205.84:2:5

Target Body : JUPITER
Target Rc/Dec : 91.24 / 25.28 Deg
S/C to Body Center : 1155805. Km (16.166908 Ri)
Z-axis Pointing (Rc / Dec) : 211.19 / -11.27 Deg

Activity ID: Orbit 22		OAPEL JULTN297		SeqNo 02-	
Title	UVS AWG feature track			Instrument	UVS
Requestor	UVS-AWG/W. KENTTOBISKA		Team	UVS	Working Group AWG
Time System	CDS	Load ID	22A	Calendar Date	08/13/99
				Week	85
Start	JEE+CDS 00001333:00:0		99-225/09:26:36.399		JEE+000/22:27:48.666
End	JEE+CDS 00001337:00:0		99-225/09:30:39.066		JEE+000/22:31:51.333
Duration	00000004:00:0		000/00:04:02.667		000/00:04:02.667
Top Label	22JULTN29702-				
Bottom Label	realtime				
Plot Key	UVS	Type	SCI		
CDS Bytes	94	Report Options	BOTH	Scan Platform	Yes
CDS Source	OAP	Spin State	DUAL	DMS	Yes
Observation Objective					
<div style="border: 1px solid black; width: 150px; height: 100px; display: inline-block; vertical-align: top;"></div> <p>22JULTN29702: AWG feature track with SSI to look at +51.6 latitude feature.</p> <p>Rj = 15.9</p> <p>UVS configuration: full F/F scans.</p> <p>MBTG = 0.017712</p>					
Design Detail					
PSID	CDS	RIM	COMMAND PARAMETERS		
384AC	00	00:00	COMMNT UVS RIM 0		
157AC	38	-01:00	CMDRS PLAN_DUR = 3 RIMS; EST_UVS_CMDS = 2 (34UVS)		
		00:00	1 UVF:07,SCAN,NORM,NORM,NORM,SAME,0,ON,OFF,OFF,ON,OFF,NOOVR,1,00,9C,00,00		
		02:00	3 OFF:07,SCAN,NORM,NORM,NORM,SAME,0,ON,OFF,OFF,OFF,OFF,NOOVR,1,00,9C,00,00		
349AE	28	00:69	UVFLSH DISCRD,UVS		
165IB	00	02:00	TARGET Lat/Lon = 51.54/302.12; SSI target (RA/Dec=91.34/27.91)		
349AF	28	02:69	UVFLSH PACKET,UVS		

Tue Sep 14 22:00:40 1999

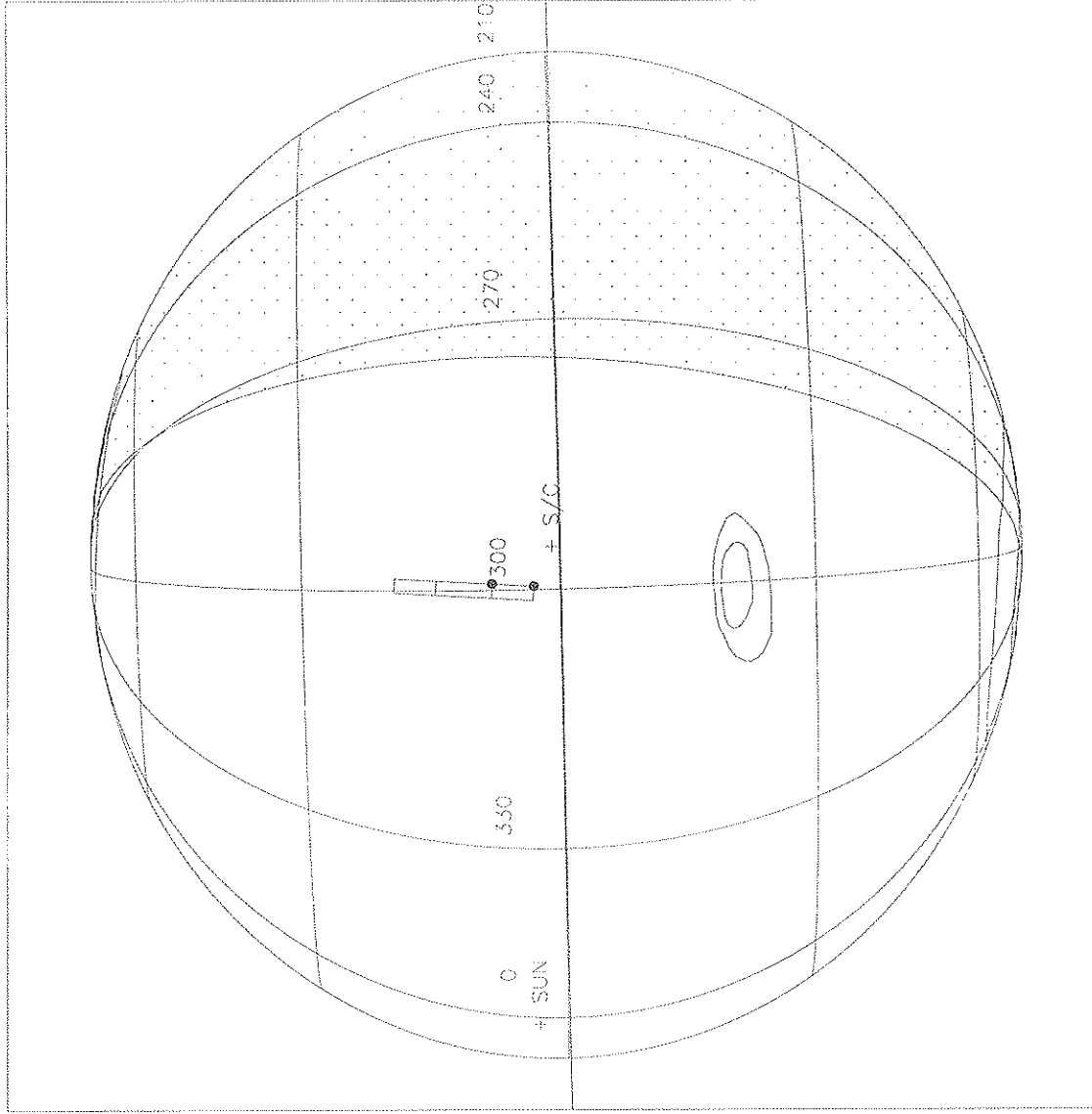


Start UTC_TIME : 1999-225 // 09:26:36.399
No End Time :
Start_SCLK : 1/05124195:06:1:5

Target Body : JUPITER
Target Ra/Dec : 90.90 / 25.29 Deg
S/C to Body Center : 1149528. Km (15.079108 RJ)
Z-axis Pointing (Ra / Dec) : 211.19 / -11.27 Deg

Activity ID: Orbit 22		OAPEL JUNE297		SeqNo 02-	
Title	UVS AWG feature track			Instrument	UVS
Requestor	UVS-AWG/W.KENTTOBISKA	Team	UVS	Working Group	AWG
Time System	CDS	Load ID	22A	Calendar Date	08/13/99 Week 85
Start	JEE+CDS 00001337:00:0		99-225/09:30:39.066		JEE+000/22:31:51.333
End	JEE+CDS 00001341:00:0		99-225/09:34:41.733		JEE+000/22:35:54.000
Duration	00000004:00:0		000/00:04:02.667		000/00:04:02.667
Top Label	22JUNEB29702-				
Bottom Label	realtime				
Plot Key	UVS	Type	SCI		
CDS Bytes	94	Report Options	BOTH	Scan Platform	Yes
CDS Source	OAP	Spin State	DUAL	DMS	Yes
Observation Objective					
<div style="border: 1px solid black; width: 200px; height: 150px; display: inline-block; vertical-align: top;"></div> <p>22JUNEB29702: AWG feature track with SSI to look at +12.0 latitude feature.</p> <p>Rj = 16.0</p> <p>UVS configuration: full F/F scans.</p> <p>MBTG = 0.017712</p>					
Design Detail					
PSID	CDS	RIM	COMMAND PARAMETERS		
384AE	00	00:00	COMMNT UVS RIM 0		
157AE	38	-01:00	CMDRS PLAN_DUR = 3 RIMS; EST_UVS_CMDS = 2 (34UVS)		
		00:00	1 UVF:07,SCAN,NORM,NORM,NORM,SAME,0,ON,OFF,OFF,ON,OFF,NOOVR,1,00,9C,00,00		
		02:00	3 OFF:07,SCAN,NORM,NORM,NORM,SAME,0,ON,OFF,OFF,OFF,OFF,NOOVR,1,00,9C,00,00		
349AI	28	00:69	UVFLSH DISCRD,UVS		
165IV	00	02:00	TARGET Lat/Lon = 12.05/300.01; SSI target (RA/Dec=91.30/25.96)		
349AU	28	02:69	UVFLSH PACKET,UVS		

Tue Sep 14 22:02:13 1999



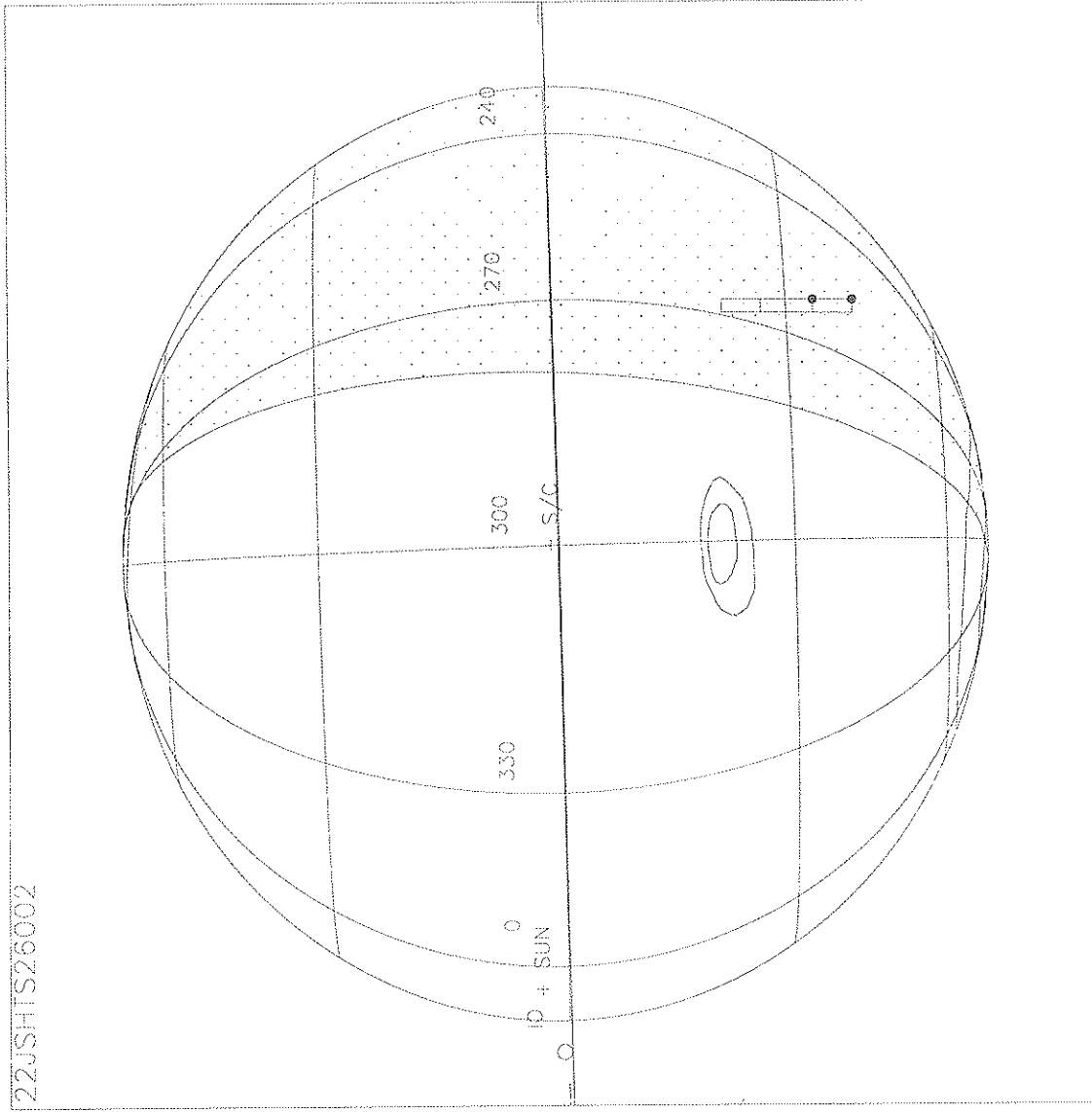
Start UTC_TIME : 1999-225 // 09:30:59.399
No End Time :
Start_SCLK : 1/05124199:06:6:6

Target Body : JUPITER
Target Ra/Dec : 91.02 / 25.29 Deg
S/C to Body Center : 1151844 Km (16.111508 R_J)
Z-axis Pointing (Ra / Dec) : 211.19 / -11.27 Deg

Activity ID: Orbit 22		OAPEL JUHTS260		SeqNo 02-	
Title	UVS AWG feature track			Instrument	UVS
Requestor	UVS-AWG/W. KENT TOBISKA	Team	UVS	Working Group	AWG
Time System	CDS	Load ID	22A	Calendar Date	08/13/99 Week 85
Start	JEE+CDS 00001345:00:0		99-225/09:38:44.399	JEE+000/22:39:56.666	
End	JEE+CDS 00001349:00:0		99-225/09:42:47.066	JEE+000/22:43:59.333	
Duration	00000004:00:0		000/00:04:02.667	000/00:04:02.667	
Top Label	22JUHTS26002-				
Bottom Label	realtime				
Plot Key	UVS	Type	SCI		
CDS Bytes	94	Report Options	BOTH	Scan Platform	Yes
CDS Source	OAP	Spin State	DUAL	DMS	Yes
Observation Objective					
<div style="border: 1px solid black; width: 150px; height: 100px; display: inline-block; vertical-align: top;"></div> <p>22JUHTS26002: AWG feature track with SSI to look at -33.7 latitude feature.</p> <p>Rj = 16.1</p> <p>UVS configuration: full F/F scans.</p> <p>MBTG = 0.017712</p>					
Design Detail					
PSID	CDS	RIM	COMMAND PARAMETERS		
384AD	00	00:00	COMMNT UVS RIM 0		
157AD	38	-01:00	CMDRS PLAN_DUR = 3 RIMS; EST_UVS_CMDS = 2 (34UVS)		
		00:00	1 UVF:07,SCAN,NORM,NORM,NORM,SAME,0,ON,OFF,OFF,ON,OFF,NOOVR,1,00,9C,00,00		
		02:00	3 OFF:07,SCAN,NORM,NORM,NORM,SAME,0,ON,OFF,OFF,OFF,OFF,NOOVR,1,00,9C,00,00		
349AG	28	00:69	UVFLSH DISCRD,UVS		
165IX	00	02:00	TARGET Lat/Lon = -33.64/265.25 (darkside); SSI target (RA/Dec=89.24/23.48)		
349AH	28	02:69	UVFLSH PACKET,UVS		

Tue Sep 14 21:24:56 1999

22JSHTS26002

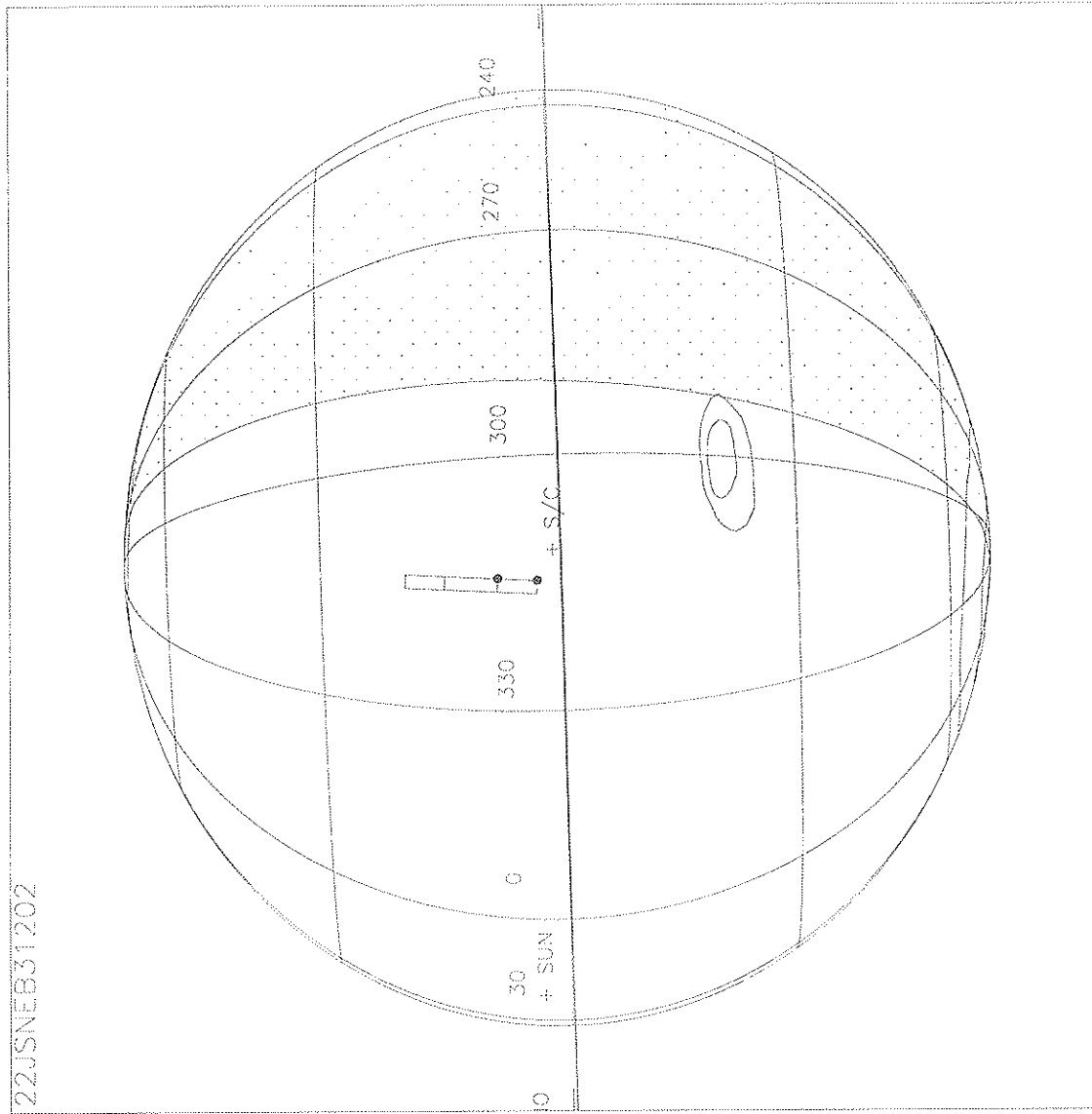


Start UTC_TIME : 1999-225 // 09:38:44.399
No End Time :
Start SCLK : 1/95124207:95:1:6
Target Body : JUPITER
Target Ra/Dec : 91.28 / 25.28 Deg
S/C to Body Center : 1156464 Km (15.175135 Ri)
Z-axis Pointing (Ra / Dec) : 211.19 / -11.27 Deg

Activity ID: Orbit 22		OAPEL JUNE312		SeqNo 02-	
Title	UVS AWG feature track			Instrument	UVS
Requestor	UVS-AWG/W.KENT TOBISKA	Team	UVS	Working Group	AWG
Time System	CDS	Load ID	22A	Calendar Date	08/13/99
				Week	85
Start	JEE+CDS 00001364:00:0		99-225/09:57:57.066		JEE+000/22:59:09.333
End	JEE+CDS 00001368:00:0		99-225/10:01:59.733		JEE+000/23:03:12.000
Duration	00000004:00:0		000/00:04:02.667		000/00:04:02.667
Top Label	22JUNEB31202-				
Bottom Label	realtime				
Plot Key	UVS	Type	SCI		
CDS Bytes	94	Report Options	BOTH		
CDS Source	OAP	Spin State	DUAL		
			Scan Platform	Yes	
			DMS	Yes	
Observation Objective					
<div style="border: 1px solid black; width: 150px; height: 100px; display: inline-block; vertical-align: top;"></div> 22JUNEB31202: AWG feature track with SSI to look at +12.0 latitude feature. Rj = 16.3 UVS configuration: full F/F scans. MBTG = 0.017712					
Design Detail					
PSID	CDS	RIM	COMMAND PARAMETERS		
384AF	00	00:00	COMMP UVS RIM 0		
157AF	38	-01:00	CMDRS PLAN_DUR = 3 RIMS; EST_UVS_CMDS = 2 (34UVS)		
		00:00	1 UVF:07, SCAN, NORM, NORM, NORM, SAME, 0, ON, OFF, OFF, ON, OFF, NOOVR, 1, 00, 9C, 00, 00		
		02:00	3 OFF:07, SCAN, NORM, NORM, NORM, SAME, 0, ON, OFF, OFF, OFF, OFF, NOOVR, 1, 00, 9C, 00, 00		
349AK	28	00:69	UVFLSH DISCRD, UVS		
165IY	00	02:00	TARGET Lat/Lon = 12.04/315.04; SSI target (RA/Dec=92.10/25.93)		
349AL	28	02:69	UVFLSH PACKET, UVS		

Tue Sep 14 21:26:12 1999

22JSNEB31202



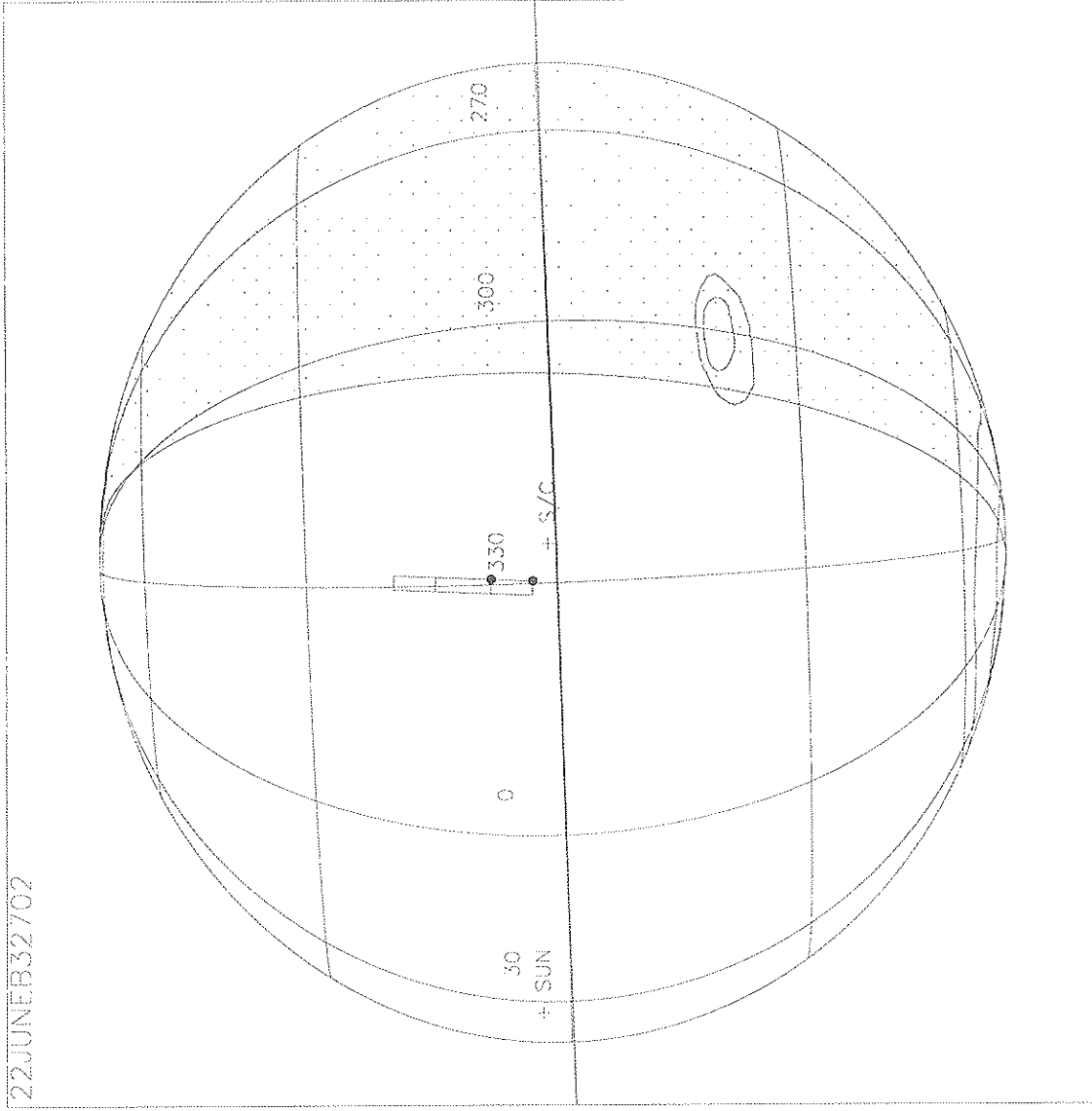
Start UTC_TIME : 1999-09-25 // 09:57:57.399
No End Time :
Start SCLK : 1/05124226:06:6:6

Target Body : JUPITER
Target Ra/Dec : 91.88 / 25.27 Deg
S/C to Body Center : 1157434 Km (16.329572 Ri)
Z-axis Pointing (Ra / Dec) : 211.19 / -11.27 Deg

Activity ID: Orbit 22		OAPEL JUNE327		SeqNo 02-	
Title	UVS AWG feature track			Instrument	UVS
Requestor	UVS-AWG/W. KENT TOBISKA	Team	UVS	Working Group	AWG
Time System	CDS	Load ID	22A	Calendar Date	08/13/99 Week 85
Start	JEE+CDS 00001389:00:0		99-225/10:23:13.733		JEE+000/23:24:26.000
End	JEE+CDS 00001393:00:0		99-225/10:27:16.399		JEE+000/23:28:28.666
Duration	00000004:00:0		000/00:04:02.666		000/00:04:02.666
Top Label	22JUNEB32702-				
Bottom Label	realtime				
Plot Key	UVS	Type	SCI		
CDS Bytes	94	Report Options	BOTH	Scan Platform	Yes
CDS Source	OAP	Spin State	DUAL	DMS	Yes
Observation Objective					
<div style="border: 1px solid black; width: 150px; height: 100px; display: inline-block; vertical-align: top;"></div> <p>22JUNEB32702: AWG feature track with SSI to look at +12.0 latitude feature.</p> <p>Rj = 16.5</p> <p>UVS configuration: full F/F scans.</p> <p>MBTG = 0.017712</p>					
Design Detail					
PSID	CDS	RIM	COMMAND PARAMETERS		
384AG	00	00:00	COMMNT UVS RIM 0		
157AG	38	-01:00	CMDRS PLAN_DUR = 3 RIMS; EST_UVS_CMDS = 2 (34UVS)		
		00:00	1 UVF:07,SCAN,NORM,NORM,NORM,SAME,0,ON,OFF,OFF,ON,OFF,NOOVR,1,00,9C,00,00		
		02:00	3 OFF:07,SCAN,NORM,NORM,NORM,SAME,0,ON,OFF,OFF,OFF,OFF,NOOVR,1,00,9C,00,00		
349AM	28	00:69	UVFLSH DISCRD,UVS		
165JB	00	02:00	TARGET Lat/Lon = 12.04/330.14; SSI target (RA/Dec=92.91/25.90)		
349AM	28	02:69	UVFLSH PACKET,UVS		

Tue Sep 14 21:27:21 1999

22JUNEB32702

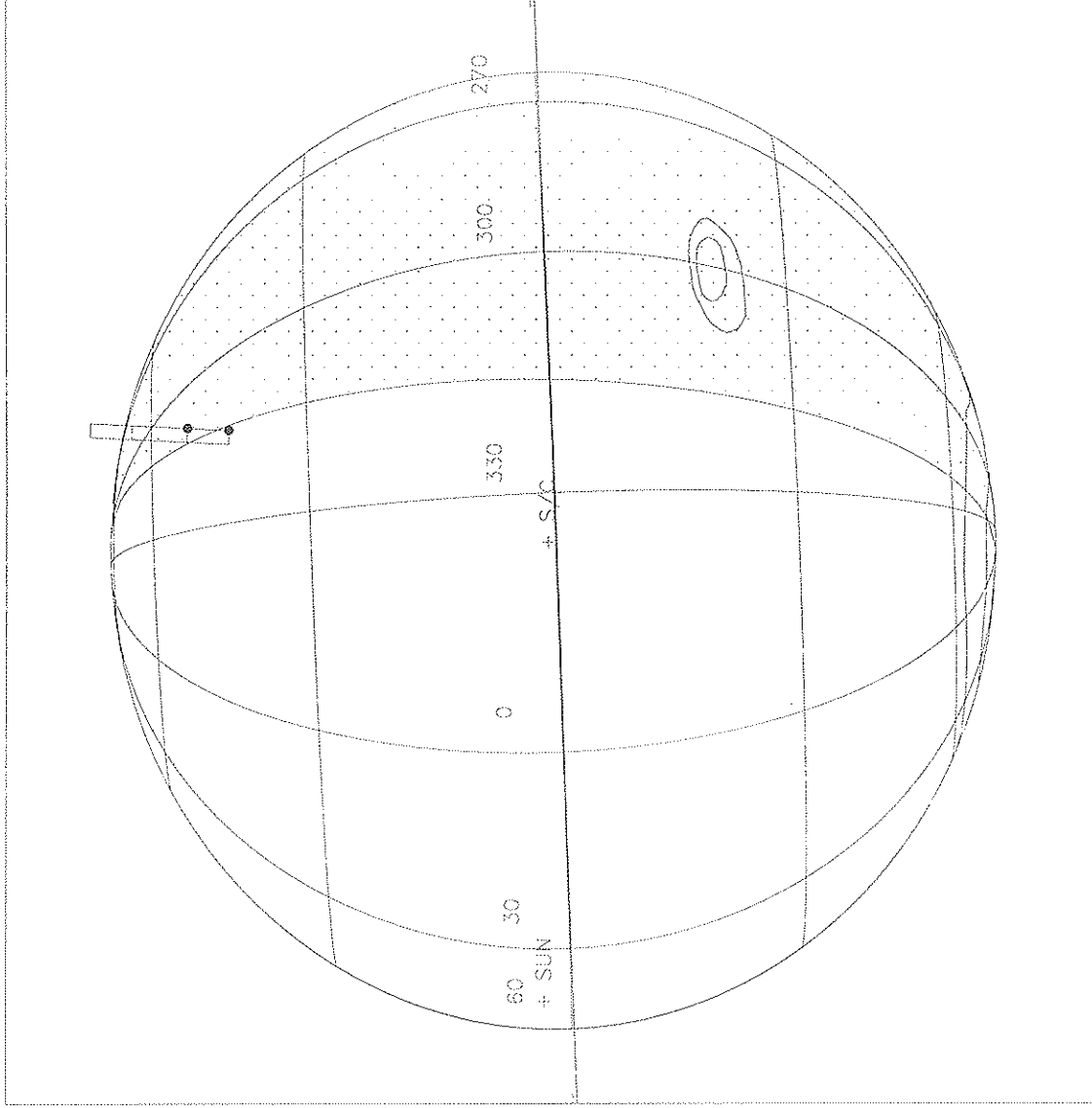


Start UFC_TIME : 1999-225 // 10:23:13.733
No End Time :
Start SCLK : 1/05124251:06:1:6

Target Body : JUPITER
Target Ra/Dec : 92.65 / 25.25 Deg
S/C to Body Center : 161827 Km (16.530905 Rj)
Z-axis Pointing (Ra / Dec) : 211.19 / -11.27 Deg

Activity ID: Orbit 22		OAPEL JUPOL295		SeqNo 02-	
Title	UVS AWG feature track			Instrument	UVS
Requestor	UVS-AWG/W. KENTTOBISKA	Team	UVS	Working Group	AWG
Time System	CDS	Load ID	22A	Calendar Date	08/13/99
				Week	85
Start	JEE+CDS 00001406:00:0		99-225/10:40:25.066		JEE+000/23:41:37.333
End	JEE+CDS 00001410:00:0		99-225/10:44:27.733		JEE+000/23:45:40.000
Duration	00000004:00:0		000/00:04:02.667		000/00:04:02.667
Top Label	22JUPOL29502-				
Bottom Label	realtime				
Plot Key	UVS	Type	SCI		
CDS Bytes	94	Report Options	BOTH	Scan Platform	Yes
CDS Source	OAP	Spin State	DUAL	DMS	No
Observation Objective					
<div style="border: 1px solid black; width: 150px; height: 100px; display: inline-block; vertical-align: top;"></div> <p>22JUPOL29502: AWG feature track with SSI to look at +65.0 latitude feature.</p> <p>Rj = 16.5</p> <p>UVS configuration: full F/F scans.</p> <p>MBTG = 0.017712</p>					
Design Detail					
PSID	CDS	RIM	COMMAND PARAMETERS		
384AH	00	00:00	COMMNT UVS RIM 0		
157AH	38	00:00	CMDRS PLAN_DUR = 3 RIMS; EST_UVS_CMDS = 2 (34UVS)		
		01:00	1 UVF:07,SCAN,NORM,NORM,NORM,SAME,0,ON,OFF,OFF,ON,OFF,NOOVR,1,00,9C,00,00		
		03:00	3 OFF:07,SCAN,NORM,NORM,NORM,SAME,0,ON,OFF,OFF,OFF,OFF,NOOVR,1,00,9C,00,00		
349AO	28	01:69	UVFLSH DISCRD,UVS		
165JD	00	02:00	TARGET Lat/Lon = 60.93/304.10; SSI target (RA/Dec=92.21/28.09)		
349AP	28	02:69	UVFLSH PACKET,UVS		

Tue Sep 14 21:28:14 1999



Start UTC_TIME : 1999-225 // 10:40:25.733

No End Time :

Start SCLK : 1/05124268:07:1:6

Target Body : JUPITER

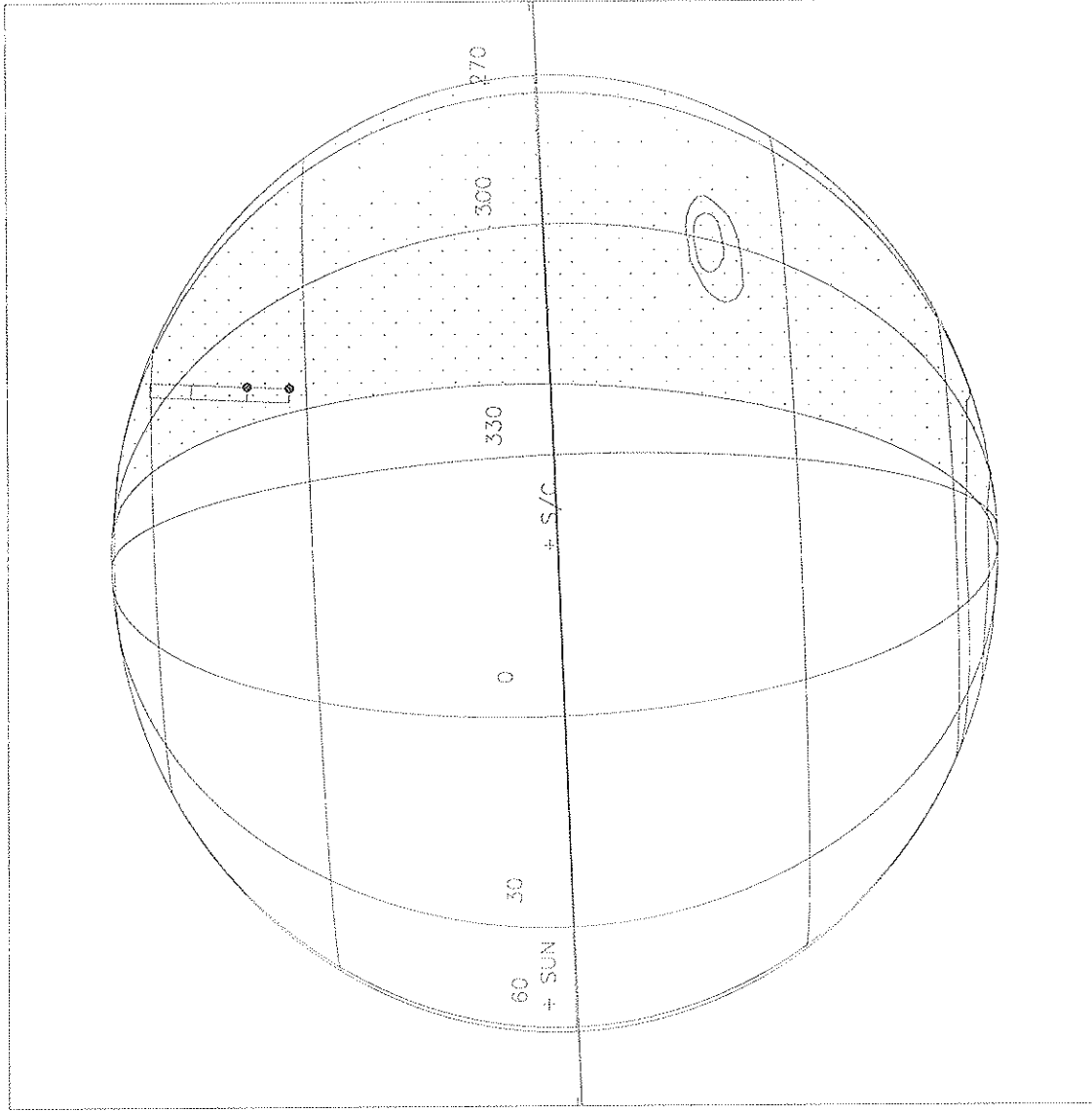
Target Ra/Dec : 93.16 / 25.23 Deg

S/C to Body Center : 1191602 Km (16.667529 R_J)

Z-axis Pointing (Ra / Dec) : 211.19 / -11.27 Deg

Activity ID: Orbit 22		OAPEL JUNOR297		SeqNo 02-	
Title	UVS AWG feature track			Instrument	UVS
Requestor	UVS-AWG/W.KENT TOBISKA	Team	UVS	Working Group	AWG
Time System	CDS	Load ID	22A	Calendar Date	08/13/99 Week 85
Start	JEE+CDS 00001414:00:0		99-225/10:48:30.399		JEE+000/23:49:42.666
End	JEE+CDS 00001418:00:0		99-225/10:52:33.066		JEE+000/23:53:45.333
Duration	00000004:00:0		000/00:04:02.667		000/00:04:02.667
Top Label	22JUNOR29702-				
Bottom Label	realtime				
Plot Key	UVS	Type	SCI		
CDS Bytes	94	Report Options	BOTH	Scan Platform	Yes
CDS Source	OAP	Spin State	DUAL	DMS	Yes
Observation Objective					
<div style="border: 1px solid black; width: 200px; height: 150px; display: inline-block; vertical-align: top; margin-right: 10px;"></div> 22JUNOR29702: AWG feature track with SSI to look at +45.0 latitude feature. Rj = 16.6 UVS configuration: full F/F scans. MBTG = 0.017712					
Design Detail					
PSID	CDS	RIM	COMMAND PARAMETERS		
384AI	00	00:00	COMMNT UVS RIM 0		
157AI	38	00:00	CMDRS PLAN_DUR = 3 RIMS; EST_UVS_CMDS = 2 (34UVS)		
		01:00	1 UVP:07, SCAN, NORM, NORM, NORM, SAME, 0, ON, OFF, OFF, ON, OFF, NOOVR, 1, 00, 9C, 00, 00		
		03:00	3 OFF:07, SCAN, NORM, NORM, NORM, SAME, 0, ON, OFF, OFF, OFF, OFF, NOOVR, 1, 00, 9C, 00, 00		
349AQ	28	01:69	UVFLSH DISCRD, UVS		
165JF	00	02:00	TARGET Lat/Lon = 48.01/310.07; SSI target (RA/Dec=92.09/27.64)		
349AR	28	02:69	UVFLSH PACKET, UVS		

Tue Sep 14 21:29:10 1999

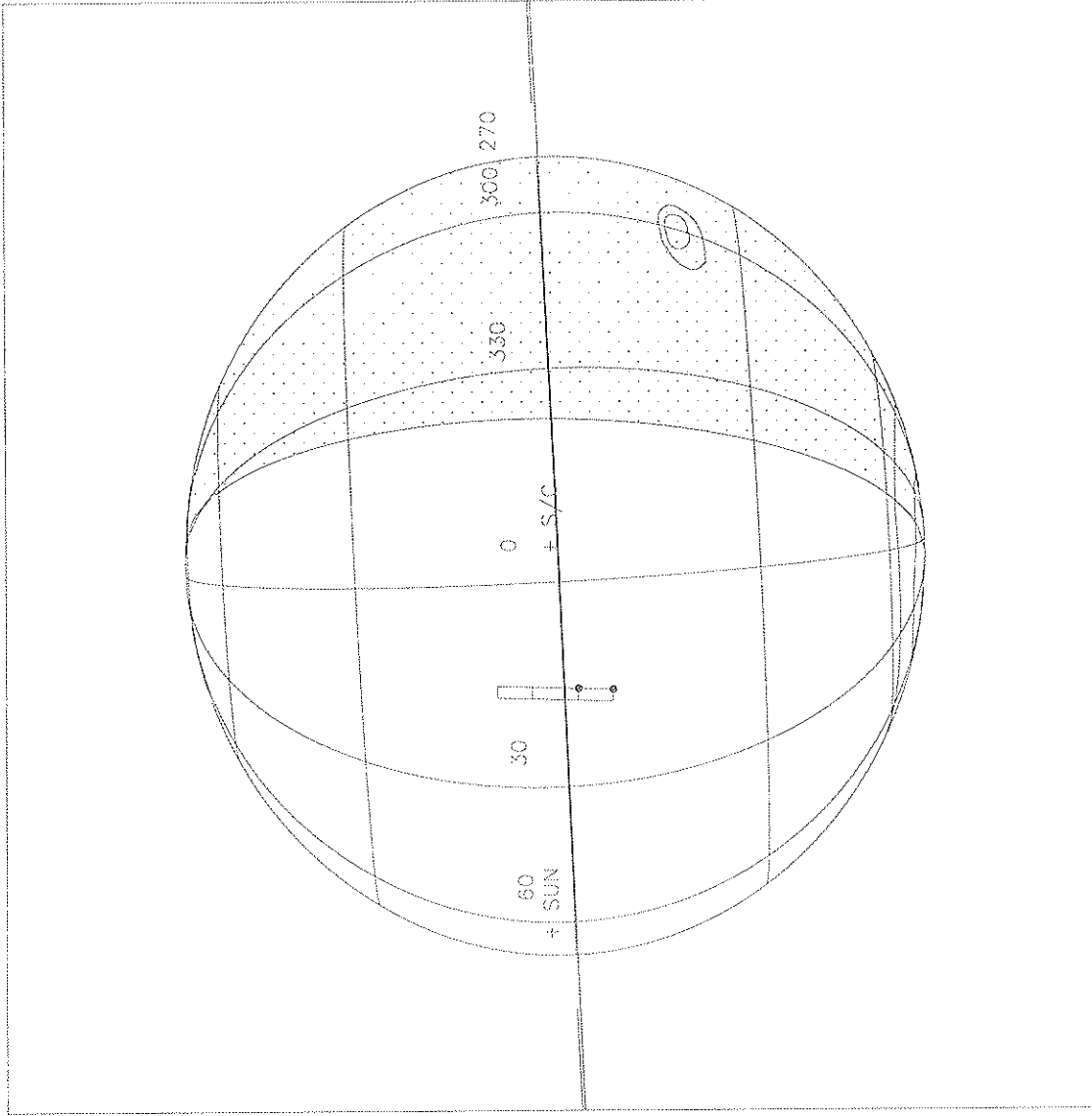


Start UTC_TIME : 1999--275 // 10:46:50.733
No End Time :
Start SCLK : 1/05124276:06:6

Target Body : JUPITER
Target Rc/Dec : 93.40 / 25.22 Deg
S/C to Body Center : 1196190. Km (16.731797 R)
Z-axis Pointing (Rc / Dec) : 211.19 / -11.27 Deg

Activity ID: Orbit 22		OAPEL JUBRITSD		SeqNo 01-	
Title		Jupiter brightside hydrocarbons		Instrument UVS	
Requestor		UVS-AWG/W.KENTTOBISKA		Team UVS	
				Working Group AWG	
Time System	CDS	Load ID	22A	Calendar Date	08/13/99
				Week	85
Start	JEE+CDS 00001440:00:0		99-225/11:14:47.733		JEE+001/00:16:00.000
End	JEE+CDS 00001460:00:0		99-225/11:35:01.066		JEE+001/00:36:13.333
Duration	00000020:00:0		000/00:20:13.333		000/00:20:13.333
Top Label		22JUBRITSD01-			
Bottom Label		realtime			
Plot Key	UVS	Type	SCI		
CDS Bytes	121	Report Options	BOTH	Scan Platform	Yes
CDS Source	OAP	Spin State	DUAL	DMS	No
Observation Objective					
		<p>Observe brightside hydrocarbon emissions to develop a statistically significant acetylene and ammonia spectrum at four latitudes. This study will help understand minor species chemistry related to dynamics in Jupiter's stratosphere/upper troposphere. Low photon count rates require substantial integration time. This is a realtime observation for several hours during the feature track window using either a G/G 176 step miniscan covering 1496-1755 Å or a G/G full scan at a distance from Jupiter = 16.9 R_J.</p>			
		<p>MBTG = 0.017712; 176-step mini-scan G/G GEM Objective Phase 2 - Jupiter atm. dynamics</p>			
Design Detail					
PSID	CDS	RIM	COMMAND PARAMETERS		
384AJ	00	00:00	COMMT UVS RIM 0		
157AJ	38	00:00	CMDRS PLAN_DUR = 20 RIMS; EST_UVS_CMDS = 2 (34UVS)		
		01:00	1 UVG:E3, FIXED, NORM, NORM, NORM, SAME, 0, OFF, OFF, ON, ON, OFF, NOOVR, 1, 1A, 8E, 00, 00		
		20:00	20 OFF:07, SCAN, NORM, NORM, NORM, SAME, 0, ON, OFF, OFF, OFF, OFF, NOOVR, 1, 00, 9C, 00, 00		
349AS	28	00:69	UVFLSH DISCRD, UVS		
165AA	27	01:00	TARGET subsc pt, cone_off=-20.0 (RA/Dec = 95.46/25.20)		
			Lat/lon = 1/15-18		
			light = 52-61		
			view = 20-11		
349AT	28	19:69	UVFLSH PACKET, UVS		

Tue Sep 14 21:30:07 1999

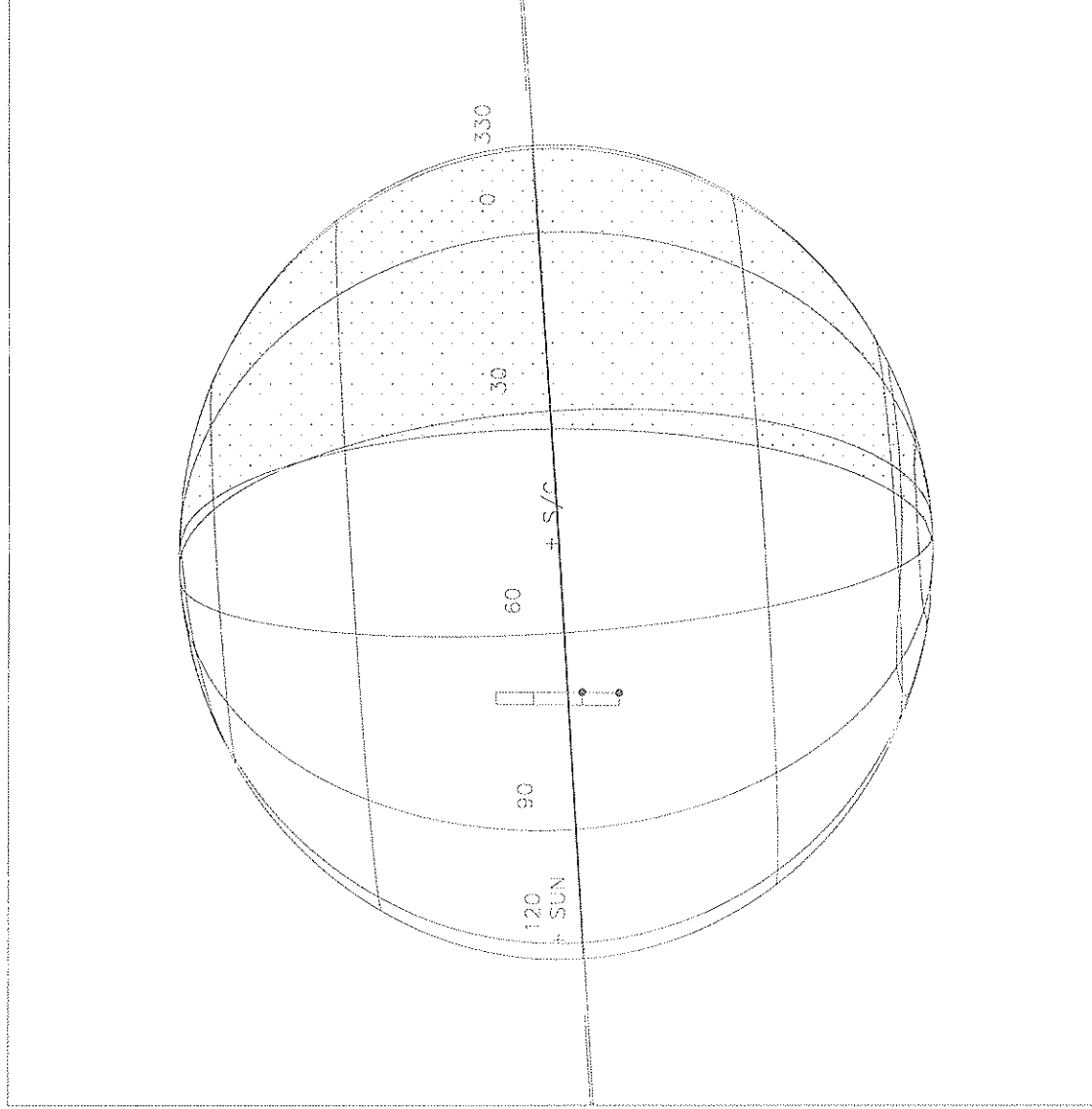


Start UTC_TIME : 1999-225 // 11:14:47.733
No End Time :
Start SCLK : 1/05124392:06:1:6

Target Body : JUPITER
Target Ra/Dec : 94.16 / 25.19 Deg
S/C to Body Center : 1211078. Km (16.940056 Ri)
Z-axis Pointing (Ra / Dec) : 211.19 / -11.27 Deg

Activity ID: Orbit 22		OAPEL JUBRITSD		SeqNo 02-	
Title	Jupiter brightside hydrocarbons			Instrument	UVS
Requestor	UVS-AWG/AW.KENT TOBISKA	Team	UVS	Working Group	AWG
Time System	CDS	Load ID	22A	Calendar Date	08/13/99
				Week	85
Start	JEE+CDS 00001530:00:0		99-225/12:45:47.733		JEE+001/01:47:00.000
End	JEE+CDS 00001569:00:0		99-225/13:25:13.733		JEE+001/02:26:26.000
Duration	00000039:00:0		000/00:39:26.000		000/00:39:26.000
Top Label	22JUBRITSD02-				
Bottom Label	realtime				
Plot Key	UVS	Type	SCI		
CDS Bytes	121	Report Options	BOTH	Scan Platform	Yes
CDS Source	OAP	Spin State	DUAL	DMS	No
Observation Objective					
<p>Observe brightside hydrocarbon emissions to develop a statistically significant acetylene and ammonia spectrum at four latitudes. This study will help understand minor species chemistry related to dynamics in Jupiter's stratosphere/upper troposphere. Low photon count rates require substantial integration time. This is a realtime observation for several hours during the feature track window using either a G/G 176 step miniscan covering 1496-1755 Å or a G/G full scan at a distance from Jupiter = 17.7 R_J.</p> <p>MBTG = 0.017712; 176-step mini-scan G/G GEM Objective Phase 2 - Jupiter atm. dynamics</p>					
Design Detail					
PSID	CDS	RIM	COMMAND PARAMETERS		
384AK	00	00:00	COMMNT UVS RIM 0		
157AK	38	00:00	CMDRS PLAN_DUR = 39 RIMS; EST_UVS_CMDS = 2 (34UVS)		
		01:00	1 UVG:E3, FIXED, NORM, NORM, NORM, SAME, 0, OFF, OFF, ON, ON, OFF, NOOVR, 1, 1A, 8E, 00, 00		
		39:00	39 OFF:07, SCAN, NORM, NORM, NORM, SAME, 0, ON, OFF, OFF, OFF, OFF, NOOVR, 1, 00, 9C, 00, 00		
349AU	28	00:69	UVFLSH DISCRD, UVS		
165AK	27	01:00	TARGET subsc pt, cone_off=-20.0 (RA/Dec = 97.95/25.06)		
			Lat/lon = 1/69-76		
			light = 53-70		
			view = 20-4		
349AV	28	38:69	UVFLSH PACKET, UVS		

Tue Sep 14 21:30:59 1999



Start UTC TIME : 1999-09-14 12:45:47.733

No End Time :

Start CLK : 1/05124392:06:17

Target Body : JUPITER

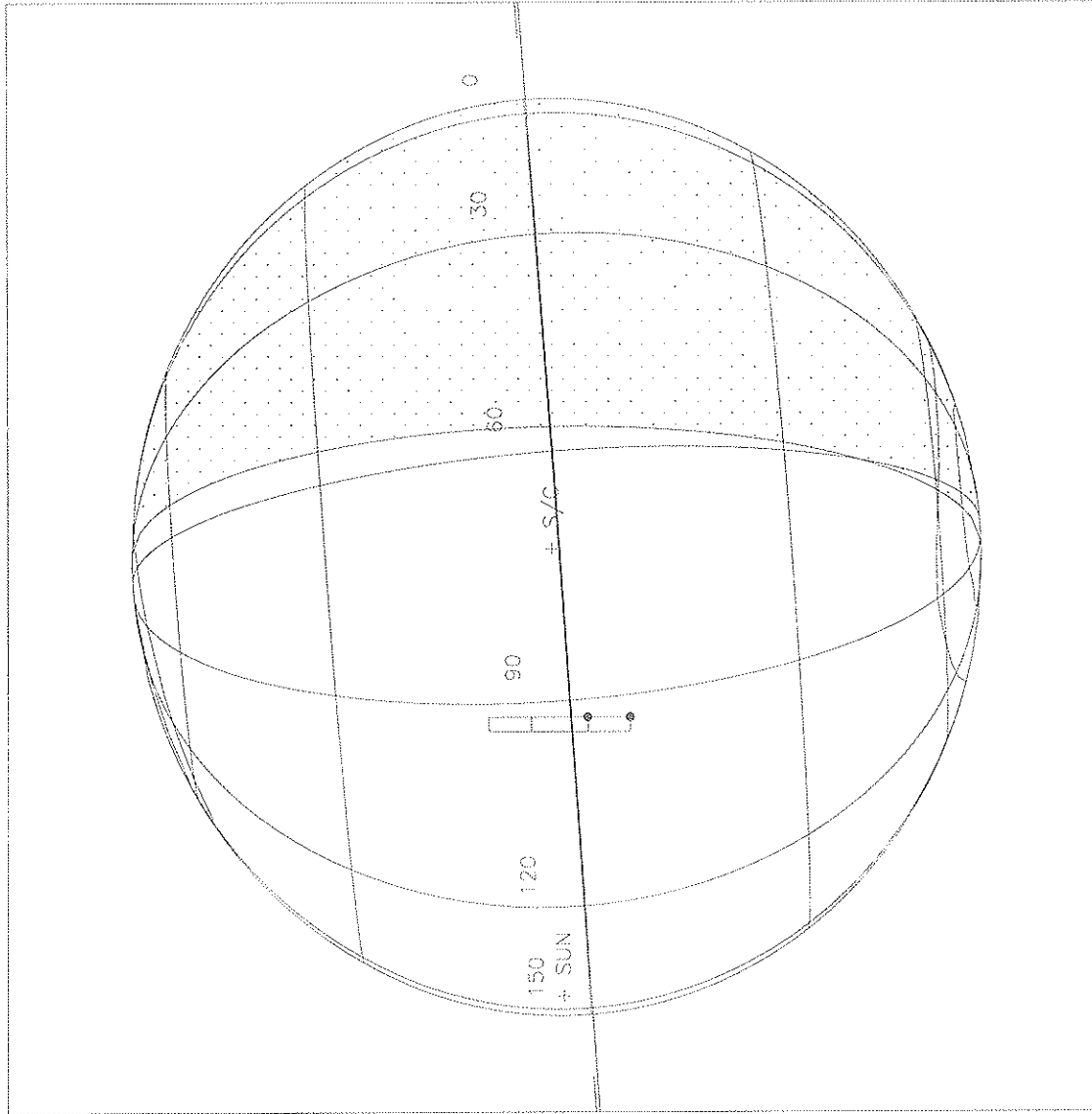
Target Ra/Dec : 95.66 / 25.07 Deg

S/C to Body Center : 1262288. Km (17.656347 Rj)

Z-axis Pointing (Ra / Dec) : 211.19 / -11.27 Deg

Activity ID: Orbit 22		OAPEL JUBRITSD		SeqNo 03-	
Title	Jupiter brightside hydrocarbons			Instrument	UVS
Requestor	UVS-AWG/W. KENT TOBISKA	Team	UVS	Working Group	AWG
Time System	CDS	Load ID	22A	Calendar Date	08/13/99
				Week	85
Start	JEE+CDS 00001570:00:0		99-225/13:26:14.399		JEE+001/02:27:26.666
End	JEE+CDS 00001609:00:0		99-225/14:05:40.399		JEE+001/03:06:52.666
Duration	00000039:00:0		000/00:39:26.000		000/00:39:26.000
Top Label	22JUBRITSD03-				
Bottom Label	realtime				
Plot Key	UVS	Type	SCI		
CDS Bytes	121	Report Options	BOTH	Scan Platform	Yes
CDS Source	OAP	Spin State	DUAL	DMS	No
Observation Objective					
<p>Observe brightside hydrocarbon emissions to develop a statistically significant acetylene and ammonia spectrum at four latitudes. This study will help understand minor species chemistry related to dynamics in Jupiter's stratosphere/upper troposphere. Low photon count rates require substantial integration time. This is a realtime observation for several hours during the feature track window using either a G/G 176 step miniscan covering 1496-1755 Å or a G/G full scan at a distance from Jupiter = 18.1 Rj.</p> <p>MBTG = 0.017712; 176-step mini-scan G/G GEM Objective Phase 2 - Jupiter atm. dynamics</p>					
Design Detail					
PSID	CDS	RIM	COMMAND PARAMETERS		
384M	00	00:00	COMMNT UVS RIM 0		
157M	38	00:00	CMDRS PLAN_DUR = 39 RIMS; EST_UVS_CMDS = 2 (34UVS)		
		01:00	1 UVG:E3, FIXED, NORM, NORM, NORM, SAME, 0, OFF, OFF, ON, ON, OFF, NOOVR, 1, 1A, 8E, 00, 00		
		39:00	39 OFF:07, SCAN, NORM, NORM, NORM, SAME, 0, ON, OFF, OFF, OFF, OFF, NOOVR, 1, 00, 9C, 00, 00		
349M	28	00:69	UVFLSH DISCRD, UVS		
165M	27	01:00	TARGET subsc pt, cone_off=-20.0 (RA/Dec = 98.99/24.99)		
			Lat/lon = 1/93-100		
			light = 54-70		
			view = 21-5		
349M	28	38:69	UVFLSH PACKET, UVS		

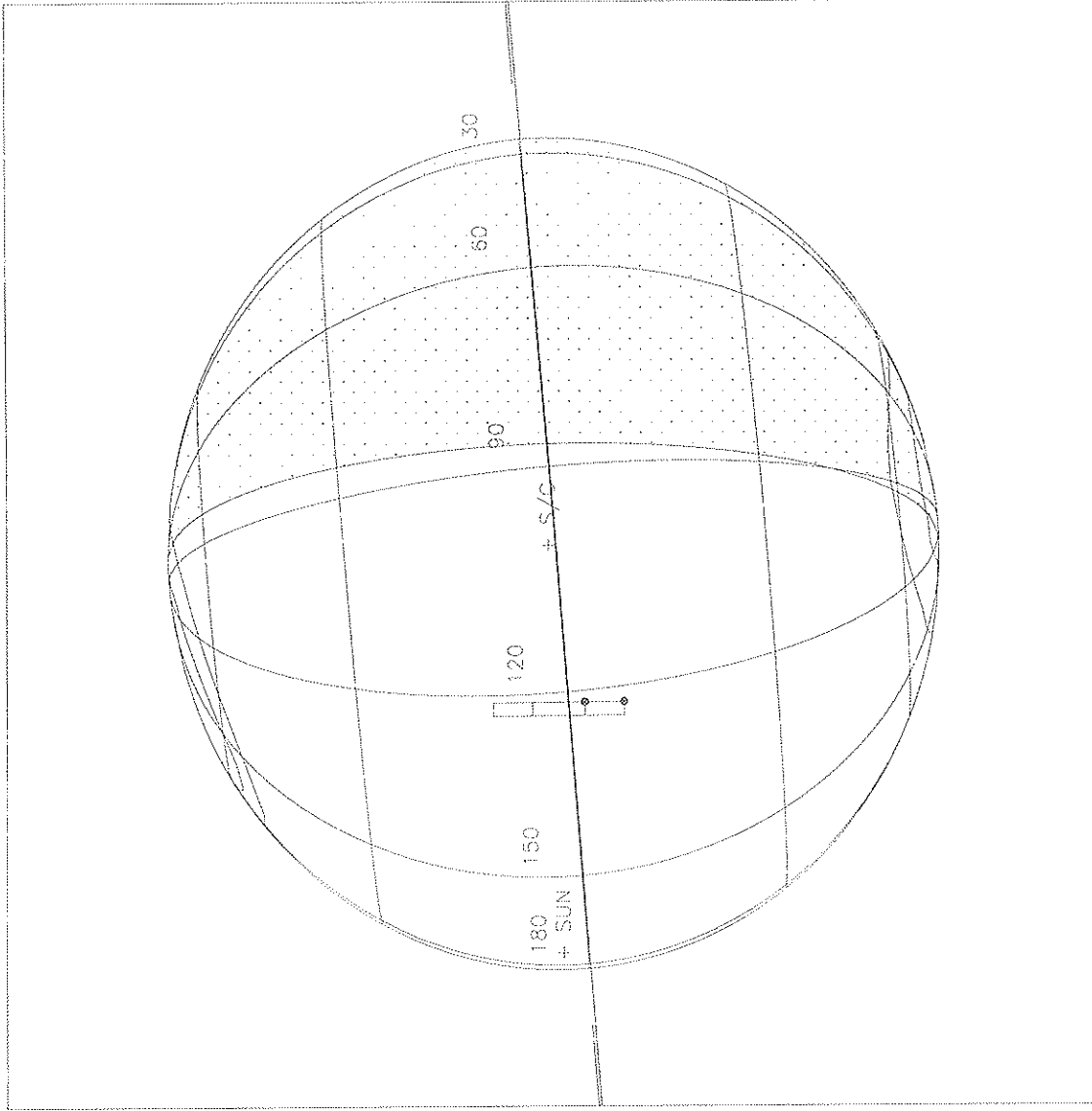
Tue Sep 14 21:32:01 1999



Start UTC_TIME : 1999-225 // 13:26:14.733
No End Time :
Start SCLK : 1/05124432:06:6.7
Target Body : JUPITER
Target Ra/Dec : 97.71 / 25.01 Deg
S/C to Body Center : 1284874. Km (17.972282 Rj)
Z-axis Pointing (Ra / Dec) : 211.19 / -11.27 Deg

Activity ID: Orbit 22		OAPEL JUBRITSD		SeqNo 04-	
Title		Jupiter brightside hydrocarbons		Instrument UVS	
Requestor		UVS-AWGAW.KENT TOBISKA		Team UVS	
				Working Group AWG	
Time System	CDS	Load ID	22A	Calendar Date	08/13/99
				Week	85
Start	JEE+CDS 00001619:00:0		99-225/14:15:47.066		JEE+001/03:16:59.333
End	JEE+CDS 00001664:00:0		99-225/15:01:17.066		JEE+001/04:02:29.333
Duration	00000045:00:0		000/00:45:30.000		000/00:45:30.000
Top Label		22JUBRITSD04-			
Bottom Label		realtime			
Plot Key	UVS	Type	SCI		
CDS Bytes	121	Report Options	BOTH	Scan Platform	Yes
CDS Source	OAP	Spin State	DUAL	DMS	No
Observation Objective					
		<p>Observe brightside hydrocarbon emissions to develop a statistically significant acetylene and ammonia spectrum at four latitudes. This study will help understand minor species chemistry related to dynamics in Jupiter's stratosphere/upper troposphere. Low photon count rates require substantial integration time. This is a realtime observation for several hours during the feature track window using either a G/G 176 step miniscan covering 1496-1755 Å or a G/G full scan at a distance from Jupiter = 18.4 R_J.</p>			
		<p>MBTG = 0.017712; 176-step mini-scan G/G GEM Objective Phase 2 - Jupiter atm. dynamics</p>			
Design Detail					
PSID	CDS	RIM	COMMAND PARAMETERS		
384AM	00	00:00	COMMNT UVS RIM 0		
157AM	38	00:00	CMDRS PLAN_DUR = 45 RIMS; EST_UVS_CMDS = 2 (34UVS)		
		01:00	1 UVG:E3, FIXED, NORM, NORM, NORM, SAME, 0, OFF, OFF, ON, ON, OFF, NOOVR, 1, 1A, 8E, 00, 00		
		45:00	45 OFF:07, SCAN, NORM, NORM, NORM, SAME, 0, ON, OFF, OFF, OFF, OFF, NOOVR, 1, 00, 9C, 00, 00		
349AY	28	00:69	UVFLSH DISCRD, UVS		
165AM	27	01:00	TARGET subsc pt, cone_off=-20.0 (RA/Dec = 100.22/24.89)		
			Lat/lon = 1/122-131		
			light = 55-73		
			view = 21-3		
349AZ	28	44:69	UVFLSH PACKET, UVS		

Tue Sep 14 21:33:12 1999

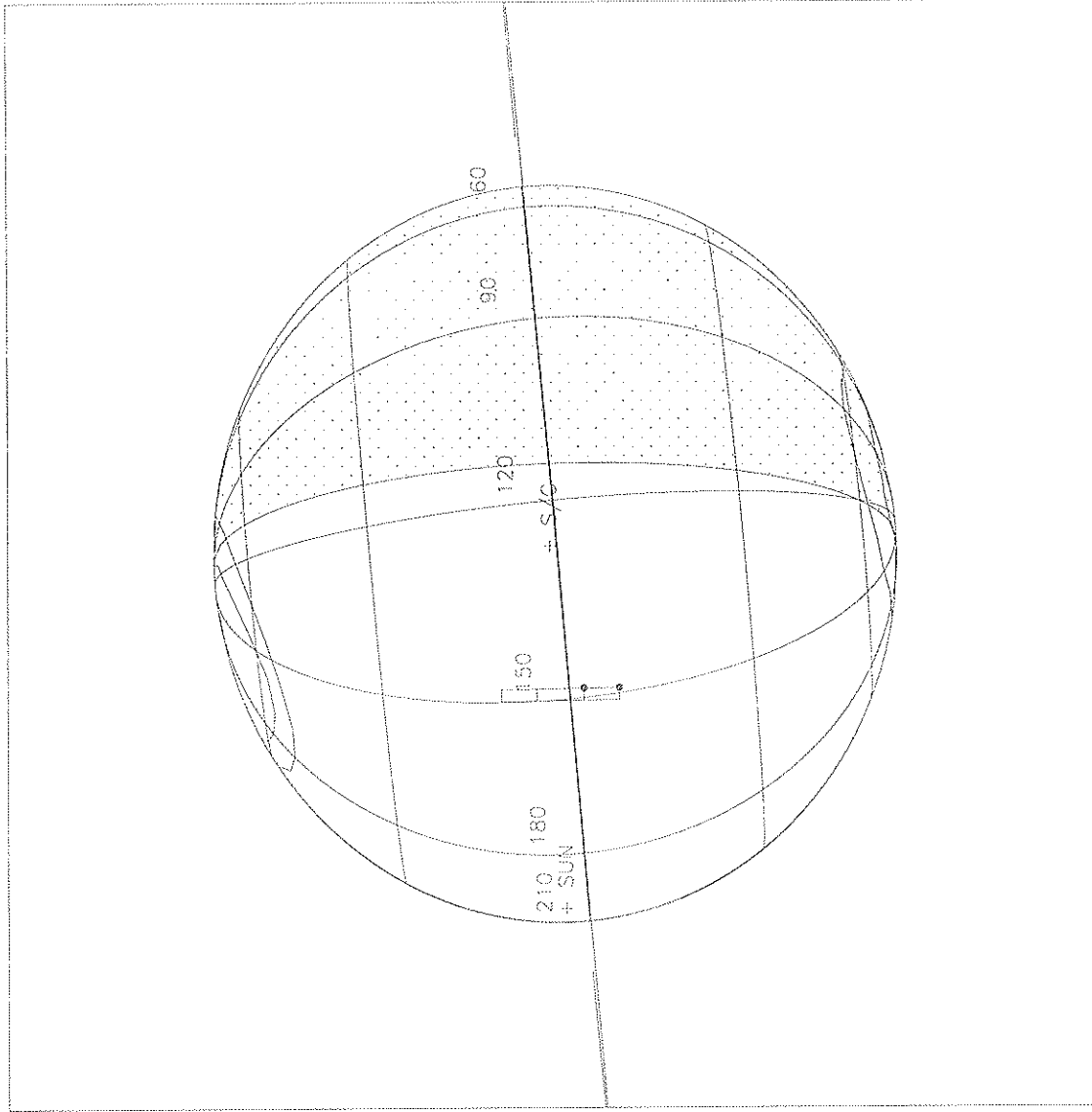


Start UTC_TIME : 1999-225 // 14:15:47.33
No End Time :
Start SCLK : 1/05124481:07:17

Target Body : JUPITER
Target Ra/Dec : 98.93 / 24.92 Deg
S/C to Body Center : 1312390. Km (18.357160 Ri)
Z-axis Pointing (Ra / Dec) : 211.19 / -11.27 Deg

Activity ID: Orbit 22		OAPEL JUBRITSD		SeqNo 05-	
Title	Jupiter brightside hydrocarbons			Instrument	UVS
Requestor	UVS-AWG/W. KENT TOBISKA	Team	UVS	Working Group	AWG
Time System	CDS	Load ID	22A	Calendar Date	08/13/99
				Week	85
Start	JEE+CDS 00001664:00:0		99-225/15:01:17.066		JEE+001/04:02:29.333
End	JEE+CDS 00001709:00:0		99-225/15:46:47.066		JEE+001/04:47:59.333
Duration	00000045:00:0		000/00:45:30.000		000/00:45:30.000
Top Label	22JUBRITSD05-				
Bottom Label	realtime				
Plot Key	UVS	Type	SCI		
CDS Bytes	93	Report Options	BOTH		
CDS Source	OAP	Spin State	DUAL		
		Scan Platform	Yes		
		DMS	No		
Observation Objective					
<div style="border: 1px solid black; padding: 5px;"> <p>Observe brightside hydrocarbon emissions to develop a statistically significant acetylene and ammonia spectrum at four latitudes. This study will help understand minor species chemistry related to dynamics in Jupiter's stratosphere/upper troposphere. Low photon count rates require substantial integration time. This is a realtime observation for several hours during the feature track window using either a G/G 176 step miniscan covering 1496-1755 Å or a G/G full scan at a distance from Jupiter = 18.7 Rj.</p> <p>MBTG = 0.017712; 176-step mini-scan G/G GEM Objective Phase 2 - Jupiter atm. dynamics</p> </div>					
Design Detail					
PSID	CDS	RIM	COMMAND	PARAMETERS	
384AN	00	00:00	COMMNT	UVS RIM 0	
157AN	38	00:00	CMDRS	PLAN_DUR = 45 RIMS; EST_UVS_CMDS = 2 (34UVS)	
		01:00	1	UVG: E3, FIXED, NORM, NORM, NORM, SAME, 0, OFF, OFF, ON, ON, OFF, NOOVR, 1, 1A, 8E, 00, 00	
		45:00	45	OFF: 07, SCAN, NORM, NORM, NORM, SAME, 0, ON, OFF, OFF, OFF, OFF, NOOVR, 1, 00, 9C, 00, 00	
349CY	00	00:69	UVFLSH	DISCRD, UVS (deleted and use previous flush)	
165AN	27	01:00	TARGET	subsc pt, cone_off=-20.0 (RA/Dec = 101.30/24.80)	
				Lat/lon = 1/149-158	
				light = 55-73	
				view = 22-4	
349CZ	28	44:69	UVFLSH	PACKET, UVS	
<p><i>This is the command in the "AS Run" sequence.</i></p> <p><i>June 29, 07 KES</i></p> <p><i>(NOTE: we were leaving the gratings at "F" to see if that would help position commanding.) KES</i></p>					

Tue Sep 14 21:35:38 1999

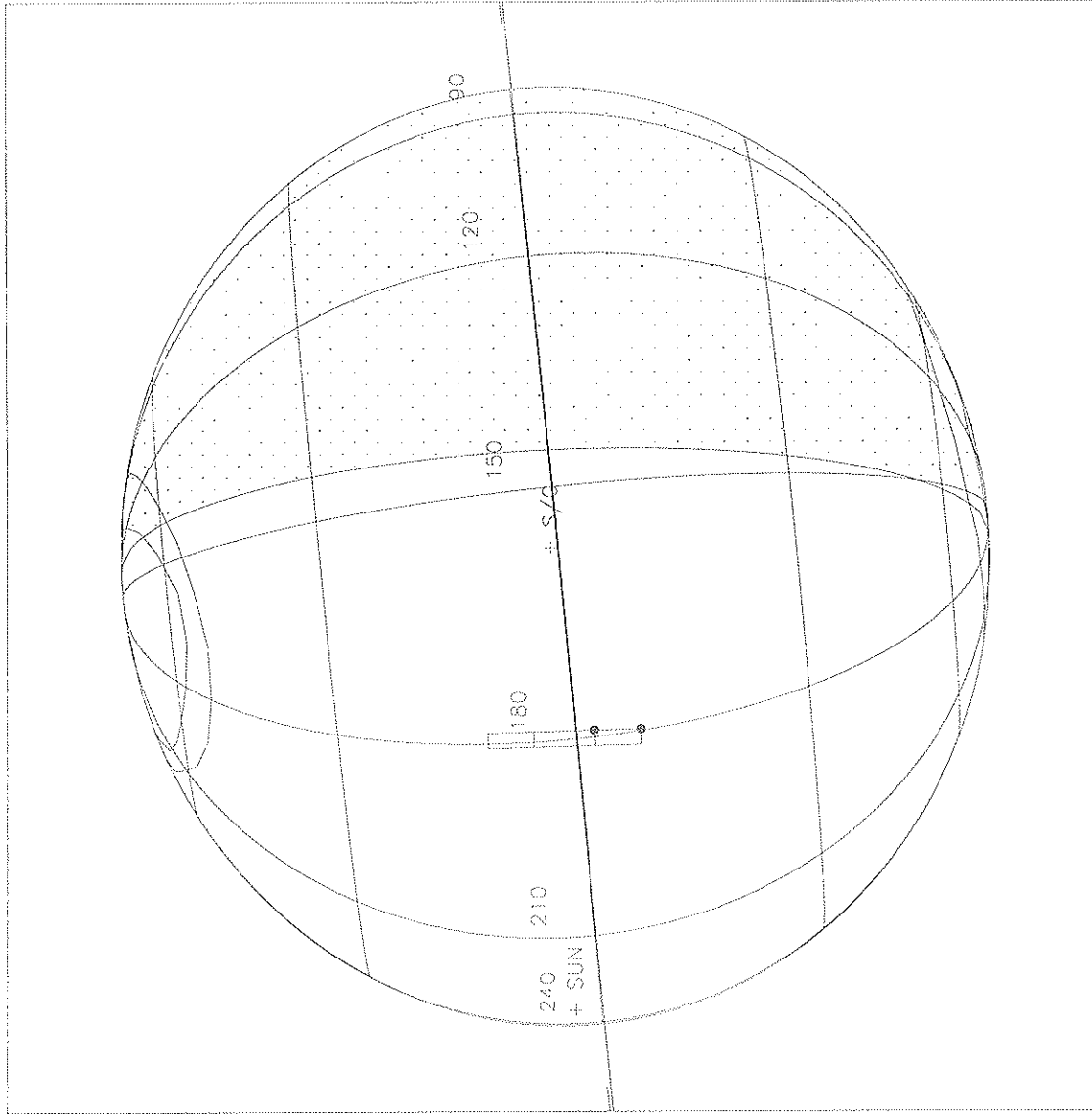


Start UTC_TIME : 1999-225 // 15:01:17.733
No End Time :
Start SCLK : 1/05124526:07:1:7

Target Body : JUPITER
Target Ra/Dec : 100.02 / 24.84 Deg
S/C to Body Center : 1337506. Km (18.768476 Rj)
Z-axis Pointing (Ra / Dec) : 211.19 / -11.27 Deg

Activity ID: Orbit 22		OAPEL JUBRITSD		SeqNo 06-	
Title	Jupiter brightside hydrocarbons			Instrument	UVS
Requestor	UVS-AWG/W. KENT TOBISKA	Team	UVS	Working Group	AWG
Time System	CDS	Load ID	22A	Calendar Date	08/13/99 Week 85
Start	JEE+CDS 00001715:00:0		99-225/15:52:51.066		JEE+001/04:54:03.333
End	JEE+CDS 00001776:00:0		99-225/16:54:31.733		JEE+001/05:55:44.000
Duration	00000061:00:0		000/01:01:40.667		000/01:01:40.667
Top Label	22JUBRITSD06-				
Bottom Label	realtime				
Plot Key	UVS	Type	SCI		
CDS Bytes	93	Report Options	BOTH	Scan Platform	Yes
CDS Source	OAP	Spin State	DUAL	DMS	No
Observation Objective					
<p>Observe brightside hydrocarbon emissions to develop a statistically significant acetylene and ammonia spectrum at four latitudes. This study will help understand minor species chemistry related to dynamics in Jupiter's stratosphere/upper troposphere. Low photon count rates require substantial integration time. This is a realtime observation for several hours during the feature track window using either a G/G 176 step miniscan covering 1496-1755 Å or a G/G full scan at a distance from Jupiter = 18.9 R_J.</p> <p>MBTG = 0.017712; 176-step mini-scan G/G GEM Objective Phase 2 - Jupiter atm. dynamics</p>					
Design Detail					
PSID	CDS	RIM	COMMAND PARAMETERS		
384AO	00	00:00	COMMMT UVS RIM 0		
157AO	38	00:00	CMDRS PLAN_DUR = 61 RIMS; EST_UVS_CMDS = 2 (34UVS)		
		01:00	1 UVG:E3, FIXED, NORM, NORM, NORM, SAME, 0, OFF, OFF, ON, ON, OFF, NOOVR, 1, 1A, 8E, 00, 00		
		61:00	61 OFF:07, SCAN, NORM, NORM, NORM, SAME, 0, ON, OFF, OFF, OFF, OFF, NOOVR, 1, 00, 9C, 00, 00		
349CW	00	00:69	UVFLSH DISCRD, UVS (delete and use previous flush)		
165AO	27	01:00	TARGET subsc pt, cone_off=-20.0 (RA/Dec = 102.48/24.69)		
			Lat/lon = 1/180-192		
			light = 56-79		
			view = 22-1		
349CX	28	60:69	UVFLSH PACKET, UVS		

Tue Sep 14 21:37:24 1999

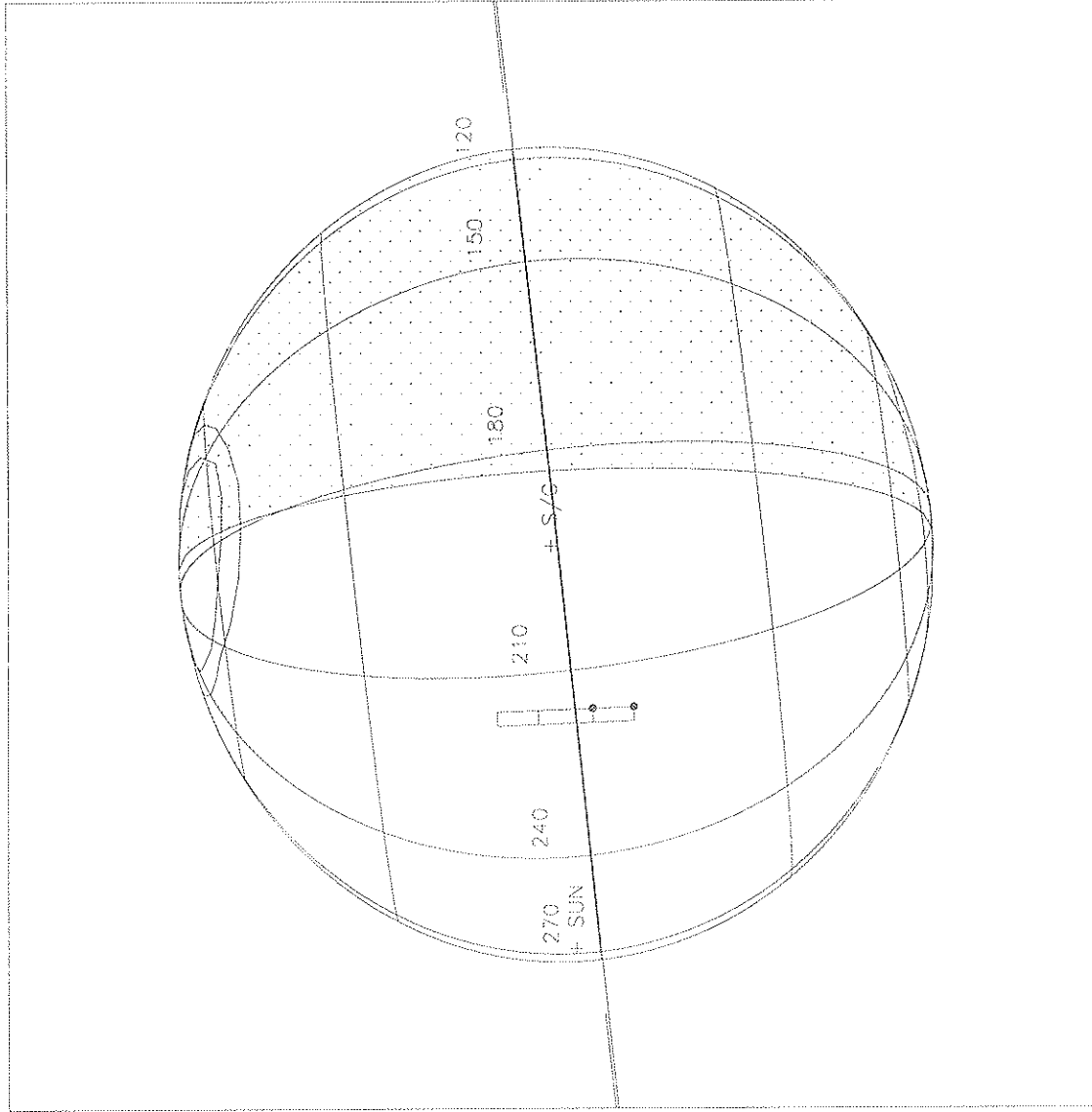


Start UTC_TIME : 1999-225 // 15:52:51.733
No End Time :
Start SCLK : 1/05124577:07:17

Target Body : JUPITER
Target Ra/Dec : 101.20 / 24.74 Deg
S/C to Body Center : 1365795. Km (19.104164 RJ)
Z-axis Pointing (Ra / Dec) : 211.19 / -11.27 Deg

Activity ID: Orbit 22		OAPEL JUBRITSD		SeqNo 07-	
Title	Jupiter brightside hydrocarbons			Instrument	UVS
Requestor	UVS-AWG/W. KENT TOBISKA	Team	UVS	Working Group	AWG
Time System	CDS	Load ID	22A	Calendar Date	08/13/99 Week 85
Start	JEE+CDS 00001776:00:0		99-225/16:54:31.733		JEE+001/05:55:44.000
End	JEE+CDS 00001802:00:0		99-225/17:20:49.066		JEE+001/06:22:01.333
Duration	00000026:00:0		000/00:26:17.333		000/00:26:17.333
Top Label	22JUBRITSD07-				
Bottom Label	realtime				
Plot Key	UVS	Type	SCI		
CDS Bytes	93	Report Options	BOTH	Scan Platform	Yes
CDS Source	OAP	Spin State	DUAL	DMS	No
Observation Objective					
<div style="border: 1px solid black; padding: 5px;"> <p>Observe brightside hydrocarbon emissions to develop a statistically significant acetylene and ammonia spectrum at four latitudes. This study will help understand minor species chemistry related to dynamics in Jupiter's stratosphere/upper troposphere. Low photon count rates require substantial integration time. This is a realtime observation for several hours during the feature track window using either a G/G 176 step miniscan covering 1496-1755 Å or a G/G full scan at a distance from Jupiter = 19.4 R_J.</p> <p>MBTG = 0.017712; 176-step mini-scan G/G GEM Objective Phase 2 - Jupiter atm. dynamics</p> </div>					
Design Detail					
PSID	CDS	RIM	COMMAND PARAMETERS		
384AP	00	00:00	COMMNT UVS RIM 0		
157AP	38	00:00	CMDRS PLAN_DUR = 26 RIMS; EST_UVS_CMDS = 2 (34UVS)		
		01:00	1 UVG:E3, FIXED, NORM, NORM, NORM, SAME, 0, OFF, OFF, ON, ON, OFF, NOOVR, 1, 1A, 8E, 00, 00		
		26:00	26 OFF:07, SCAN, NORM, NORM, NORM, SAME, 0, ON, OFF, OFF, OFF, OFF, NOOVR, 1, 00, 9C, 00, 00		
349CV	00	00:69	UVFLSH DISCRD, UVS (delete and use previous flush)		
165AP	27	01:00	TARGET subsc pt, cone_off=-20.0 (RA/Dec = 103.82/24.55)		
			Lat/lon = 1/216-222		
			light = 56-66		
			view = 23-13		
349CV	28	25:69	UVFLSH PACKET, UVS		

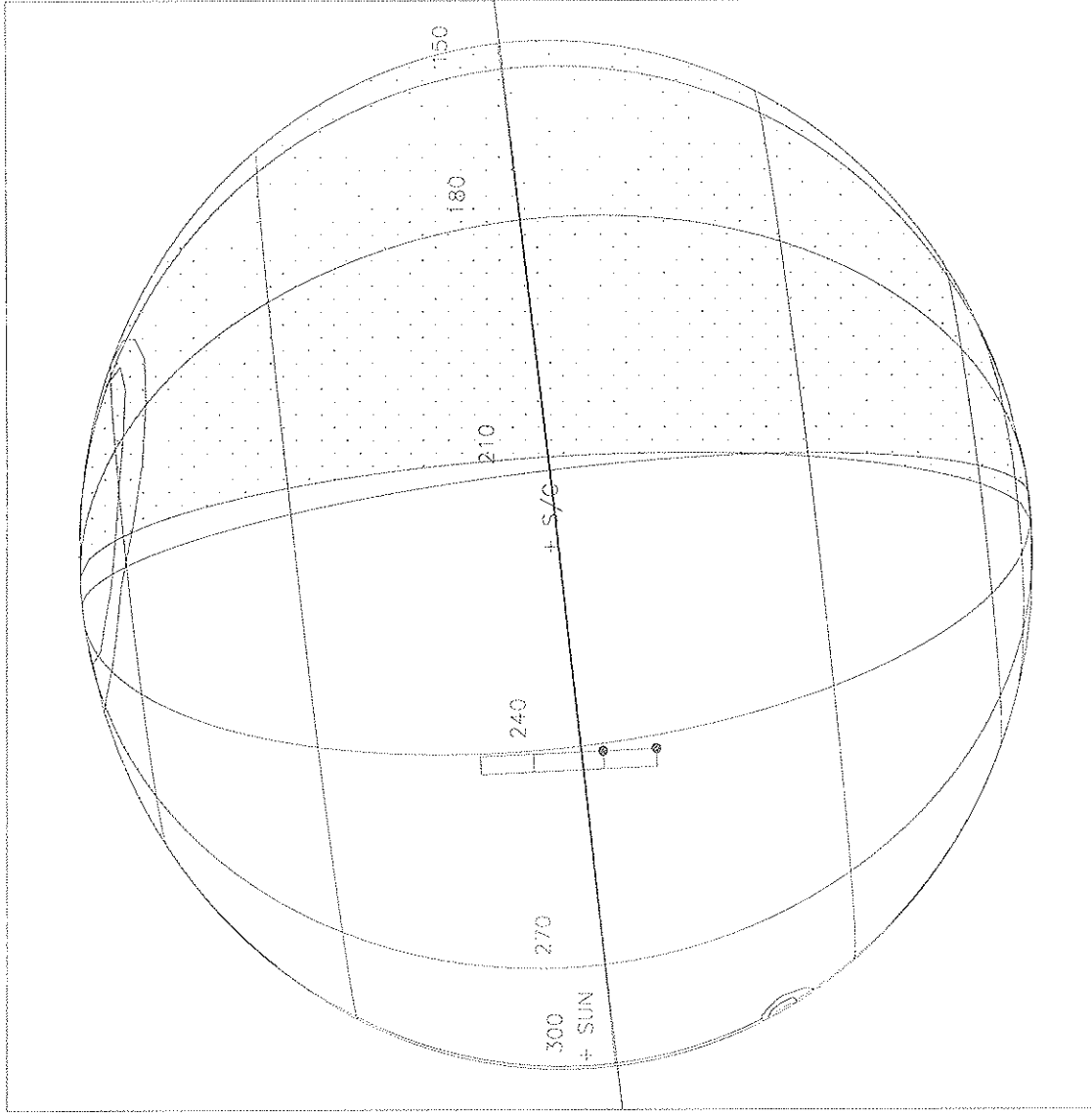
Tue Sep 14 21:38:33 1999



Start UTC_TIME : 1999-225 // 16:54:31.733
No End Time :
Start SCLK : 1/05124638:06:2-0
Target Body : JUPITER
Target Ra/Dec : 102.54/ 24.62 Deg
S/C to Body Center : 1399375. Km (19.573869 R)
Z-axis Pointing (Ra / Dec) : 211.19 / -11.27 Deg

Activity ID: Orbit 22		OAPEL JUBRITSD		SeqNo	08-
Title	Jupiter brightside hydrocarbons			Instrument	UVS
Requestor	UVS-AWG/W. KENT TOBISKA	Team	UVS	Working Group	AWG
Time System	CDS	Load ID	22A	Calendar Date	08/13/99
				Week	85
Start	JEE+CDS 00001818:00:0		99-225/17:36:59.733		JEE+001/06:38:12.000
End	JEE+CDS 00001855:00:0		99-225/18:14:24.399		JEE+001/07:15:36.666
Duration	00000037:00:0		000/00:37:24.666		000/00:37:24.666
Top Label	22JUBRITSD08-				
Bottom Label	realtime				
Plot Key	UVS	Type	SCI		
CDS Bytes	121	Report Options	BOTH	Scan Platform	Yes
CDS Source	OAP	Spin State	DUAL	DMS	No
Observation Objective					
<p>Observe brightside hydrocarbon emissions to develop a statistically significant acetylene and ammonia spectrum at four latitudes. This study will help understand minor species chemistry related to dynamics in Jupiter's stratosphere/upper troposphere. Low photon count rates require substantial integration time. This is a realtime observation for several hours during the feature track window using either a G/G 176 step miniscan covering 1496-1755 Å or a G/G full scan at a distance from Jupiter = 19.8 R_J.</p> <p>MBTG = 0.017712; 176-step mini-scan G/G GEM Objective Phase 2 - Jupiter atm. dynamics</p>					
Design Detail					
PSID	CDS	RIM	COMMAND	PARAMETERS	
384AQ	00	00:00	COMMNT	UVS RIM 0	
157AQ	38	00:00	CMDRS	PLAN_DUR = 37 RIMS; EST_UVS_CMDS = 2 (34UVS)	
		01:00	1	UVG:E3, FIXED, NORM, NORM, NORM, SAME, 0, OFF, OFF, ON, ON, OFF, NOOVR, 1, 1A, 8E, 00, 00	
		37:00	37	OFF: 07, SCAN, NORM, NORM, NORM, SAME, 0, ON, OFF, OFF, OFF, OFF, NOOVR, 1, 00, 9C, 00, 00	
349CS	28	00:69	UVFLSH	DISCRD, UVS	
165AQ	27	01:00	TARGET	subsc pt, cone_off=-20.0 (RA/Dec = 104.70/24.46)	
				Lat/lon = 1/241-249	
				light = 57-71	
				view = 23-9	
349CT	28	36:69	UVFLSH	PACKET, UVS	

Tue Sep 14 21:40:07 1999



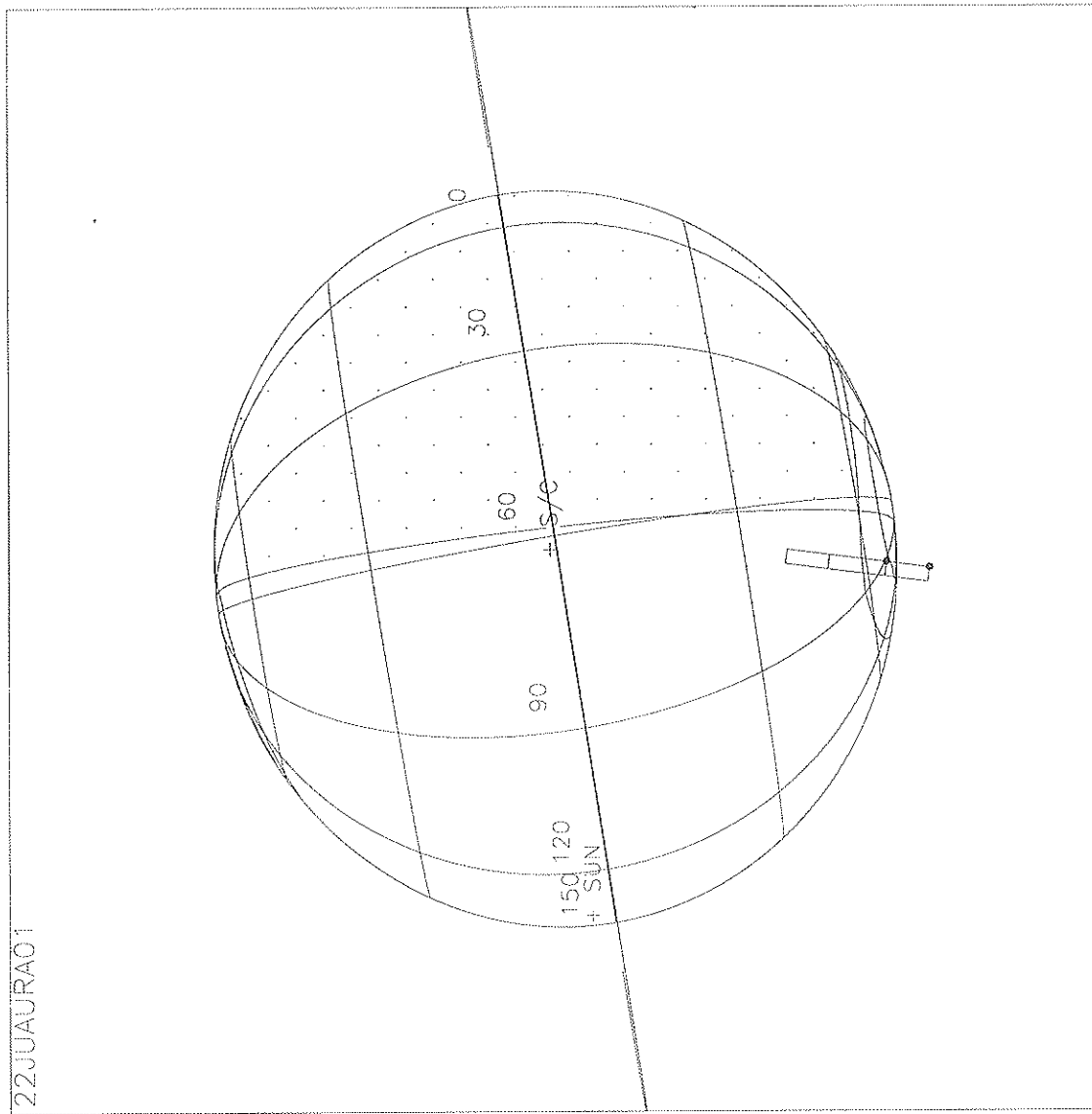
Start UTC_TIME : 1999-225 // 17:36:59.733
No End Time :
Start SCLK : 1/05124680:06:2:0

Target Body : JUPITER
Target Ra/Dec : 103.43/ 24.53 Deg
S/C to Body Center : 1422341. Km (19.695:10 Rj)
Z-axis Pointing (Ra / Dec) : 211.19 / -11.27 Deg

Activity ID: Orbit 22		OAPEL JUAURORA		SeqNo 01-	
Title	Jupiter southern aurora			Instrument	UVS
Requestor	UVS-AWG/W. KENT TOBISKA	Team	UVS	Working Group	AWG
Time System	CDS	Load ID	22A	Calendar Date	08/13/99
				Week	85
Start	JEE+CDS 00002158:00:0		99-225/23:20:46.399	JEE+001/12:21:58.666	
End	JEE+CDS 00002252:00:0		99-226/00:55:49.066	JEE+001/13:57:01.333	
Duration	00000094:00:0		000/01:35:02.667	000/01:35:02.667	
Top Label	22JUAURORA01-				
Bottom Label	realtime				
Plot Key	UVS	Type	SCI		
CDS Bytes	207	Report Options	BOTH	Scan Platform	Yes
CDS Source	OAP	Spin State	DUAL	DMS	No
Observation Objective					
<div style="border: 1px solid black; padding: 5px;"> <p>Southern Jupiter aurora observations of Lyman-a and H2 emissions near the 80 (S) longitude. We will attempt to capture the Io fluxtube footprint (IFT) and any fluxtube that maps from Europa to Jupiter to understand long-term magnetosphere and Jovian upper atmosphere interaction. This is a realtime observation for 1.5 hours using F/G full-scans at a distance from Jupiter = 22.5 Rj.</p> <p>GEM Objective Phase 1 - Magnetospheric interactions Phase 2 - none Phase 3 - none</p> </div>					
Design Detail					
PSID	CDS	RIM	COMMAND PARAMETERS		
176CM	15	-03:00	SCITLM PPB		
384AR	00	00:00	COMMNT UVS RIM 0		
157AR	38	03:00	CMDRS PLAN_DUR = 91 RIMS; EST_UVS_CMDS = 2 (34UVS)		
		04:00	1 UVF:07,SCAN,NORM,NORM,NORM,SAME,0,ON,OFF,ON,ON,OFF,NOOVR,1,00,9C,01,2C		
		04:00	91 OFF:07,SCAN,NORM,NORM,NORM,SAME,0,ON,OFF,OFF,OFF,NOOVR,1,00,9C,00,00		
349CO	28	03:69	UVFLSH PACKET,UVS (previous torus data 22TU22NANS01)		
165AI	27	04:00	TARGET Lat/Lon = -60/80 (RA/Dec = 109.77/21.64)		
UTIL	00	05:00	SCAN TYPE 3 UTILITY		
176CN	15	07:00	SCITLM RPB		
349CP	28	33:69	UVFLSH PACKET,UVS (1)		
349CQ	28	63:69	UVFLSH PACKET,UVS (2)		
349CR	28	93:69	UVFLSH PACKET,UVS (3)		

Tue May 25 15:53:38 1999

22JUAURA01



Start UTC_TIME : 1999-225 // 23:24:43.760

No End Time :

Start SCLK : 1/05125024:00:0:0

Target Body : JUPITER

Target Ra/Dec : 109.71 / 23.75 Deg

S/C to Body Center : 1605512. Km (22.457219 Rj)

Z-axis Pointing (Ra / Dec) : 211.19 / -11.27 Deg