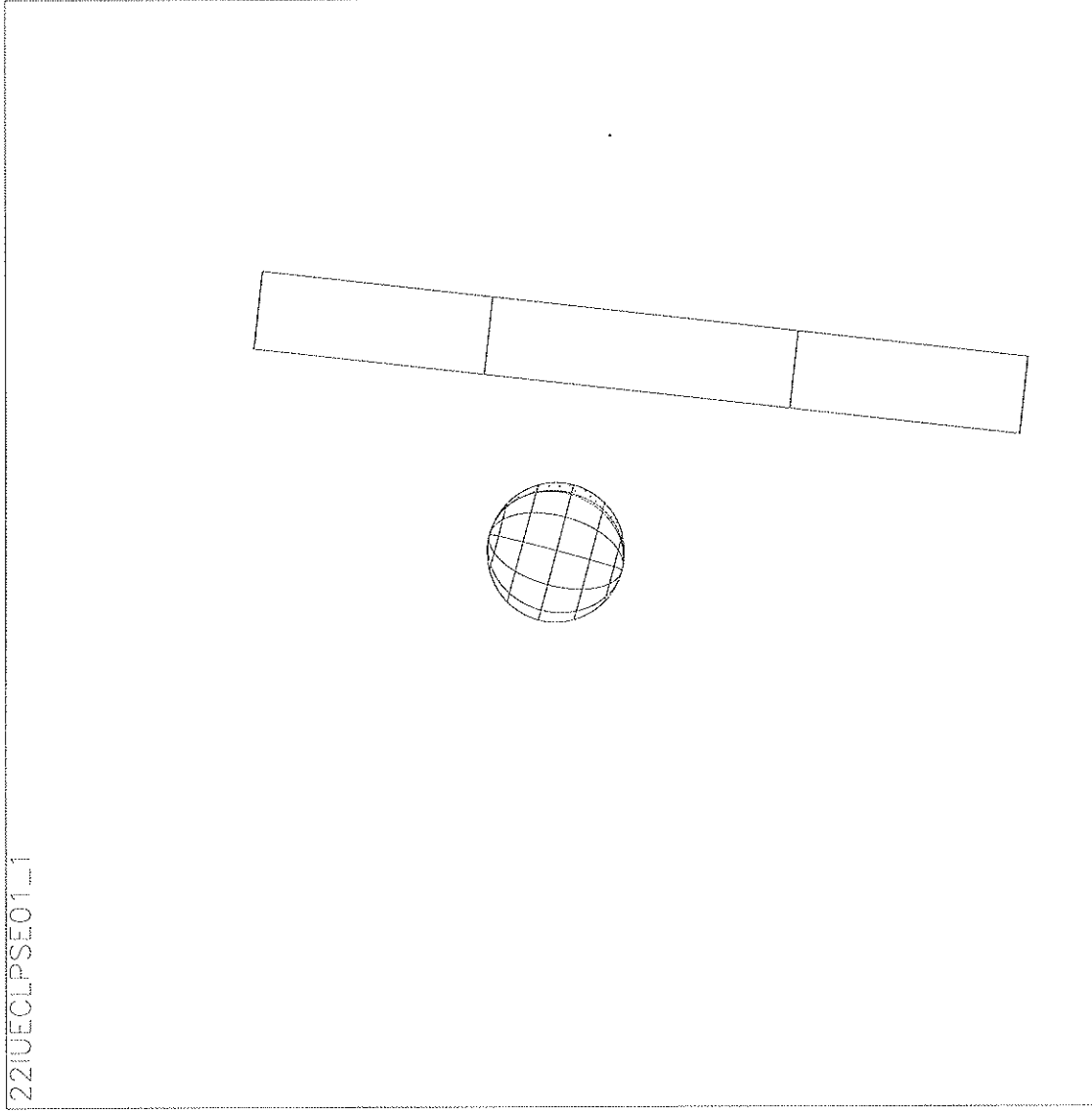


Activity ID: Orbit 22		OAPEL IUECLPSE		SeqNo 01-	
Title	Io aurora discovery	Instrument		UVS	
Requestor	UVS-SWG/W. SWEET X30523	Team	UVS	Working Group SWG	
Time System	CDS	Load ID	22A	Calendar Date	08/13/99
				Week	85
Start	IEE+CDS 00001980:00:0		99-225/00:04:25.800	IEE+001/09:22:00.000	
End	IEE+CDS 00002207:00:0		99-225/03:53:57.133	IEE+001/13:11:31.333	
Duration	00000227:00:0		000/03:49:31.333	000/03:49:31.333	
Top Label	22IUECLPSE01-				
Bottom Label	realtime				
Plot Key	UVS	Type	SCI		
CDS Bytes	410	Report Options	BOTH	Scan Platform	Yes
CDS Source	OAP	Spin State	DUAL	DMS	Yes
Observation Objective					
<p>Io aurora (discovery) observations of H I Lyman-a, O I (1356), and PUV (H2) emissions.</p> <p>Rj = 11.4</p> <p>UVS configuration: N/N full-scan for eclipse of 50 minutes, then F/F full-scan for dayside sub-Jovian hemisphere observations.</p> <p>Eclipse starts at 224/22:47:27</p> <p>Eclipse ends at 225/00:59:01</p> <p>MBTG = 0.088560 (5 flushes)</p> <p>Leave grating in fixed mini-scan at end for PWS quiet during encounter.</p> <p>Waiver G-15 operation inside 13 Rj.</p>					
Design Detail					
PSID	CDS	RIM	COMMAND PARAMETERS		
384CA	00	00:00	COMNPT UVS RIM 0		
157CA	52	02:00	CMDRS PLAN_DUR = 225 RIMS; EST_UVS_CMDS = 3 (34UVS)		
		03:00	1 UVN:07, SCAN, NORM, NORM, NORM, SAME, 0, OFF, ON, OFF, ON, OFF, NOOVR, 1, 2C, 9D, 00, 00		
		54:00	52 UVF:07, SCAN, NORM, NORM, NORM, SAME, 0, ON, OFF, OFF, ON, OFF, NOOVR, 1, 00, 9C, 00, 00		
		227:00	225 OFF:07, SCAN, NORM, NORM, NORM, SAME, 0, ON, OFF, OFF, OFF, OFF, NOOVR, 1, 00, 9C, 00, 00		
349CA	28	02:69	UVFLSH DISCRD, UVS		
165CA	54	03:00	TARGET subsc pt TMC (RA/Dec = 50.97/20.70)		
349CB	28	26:69	UVFLSH PACKET, UVS (1) eclipse		
349CC	28	52:69	UVFLSH PACKET, UVS (2) eclipse		
165CB	54	54:00	TARGET subsc pt TMC (RA/Dec = 55.67/21.81)		
349CM	28	114:69	UVFLSH PACKET, UVS (3) (SSI plume observation interrupt)		
349CN	28	117:69	UVFLSH DISCRD, UVS		
165CM	54	118:00	TARGET subsc pt TMC (RA/Dec = 61.38/22.95)		
349CD	28	171:69	UVFLSH PACKET, UVS (4) sub-Jovian		
349CE	28	226:69	UVFLSH PACKET, UVS (5) sub-Jovian		

Fri May 21 17:06:32 1999

22IUECLPSE01...1

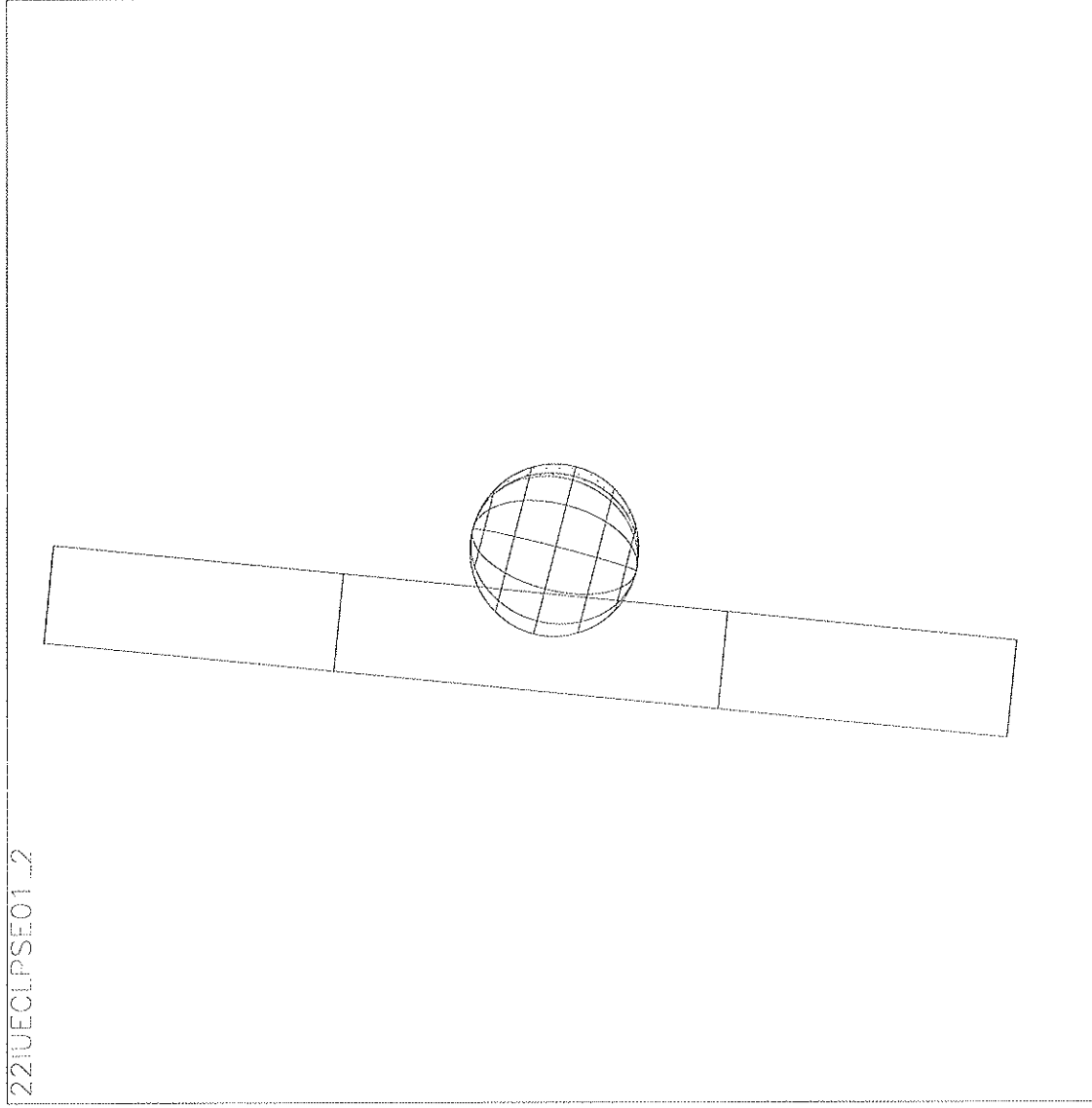


Start UTC_TIME : 1999-225 // 00:07:22.476
No End Time :
Start SCLK : 1/051235642:00:0:0

Target Body : IO
Target Ra/Dec : 50.96 / 20.70 Deg
S/C to Body Center : 1168321. Km (640.40404 Ri)
Z-axis Pointing (Ra / Dec) : 211.19 / -11.27 Deg

Fri May 21 17:09:57 1999

221UECLPSE01 ...2

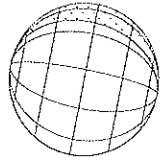
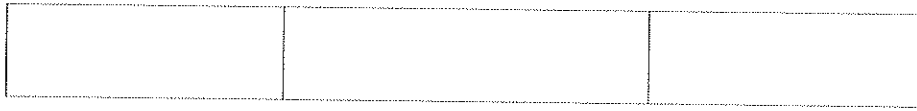


Start UTC TIME : 1999-225 // 00:28:35.142
No End Time :
Start SCLK : 1/05123661:00:0:0

Target Body : IO
Target Ra/Dec : 52.73 / 21.13 Deg
S/C to Body Center : 1184751. Km (649.40968 Rl)
Z-axis Pointing (Ra / Dec) : 211.19 / -11.27 Deg

Fri May 21 17:13:14 1999

22IUECLPSE01_3

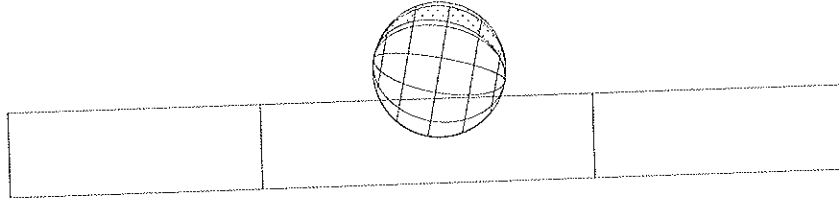


Start UTC_TIME : 1999-225 // 01:58:35.806
No End Time :
Start SCLK : 1/05123752:00:0:0

Target Body : IO
Target Ra/Dec : 60.93/ 22.87 Deg
S/C to Body Center : 1262663. Km (692.11690 Rf)
Z-axis Pointing (Ra / Dec) : 211.19 / -11.27 Deg

Fri May 21 17:16:32 1999

22IUECLPSE01...4

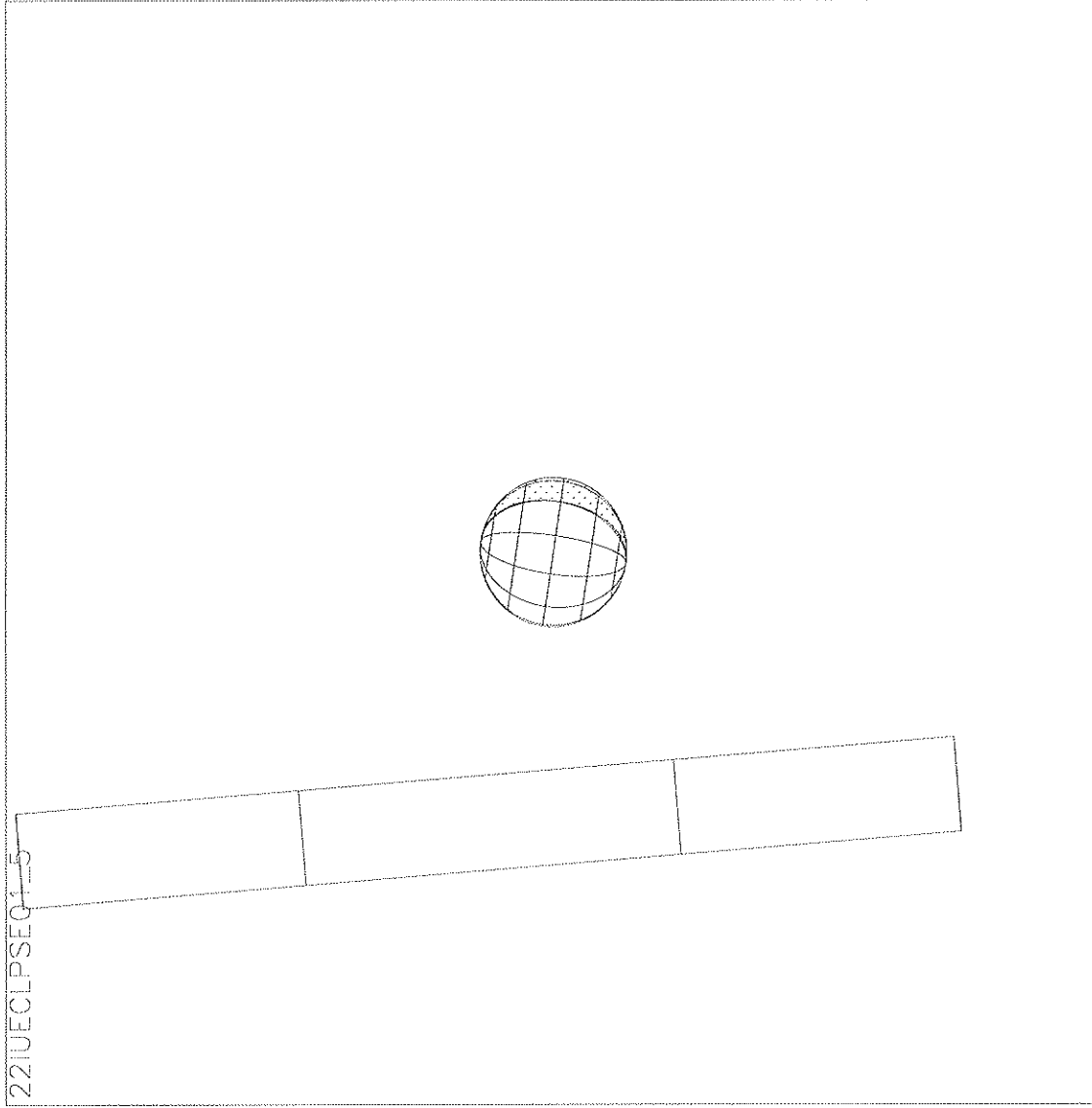


Start UTC_TIME : 1999-225 // 02:40:03.137
No End Time :
Start SCLK : 1/05123793:00:00

Target Body : IO
Target Ra/Dec : 64.49 / 23.48 Deg
S/C to Body Center : 1296917. Km (710.89275 Ri)
Z-axis Pointing (Ra / Dec) : 211.19 / -11.27 Deg

Fri May 21 17:18:59 1999

22IUECLPSEQ1_5



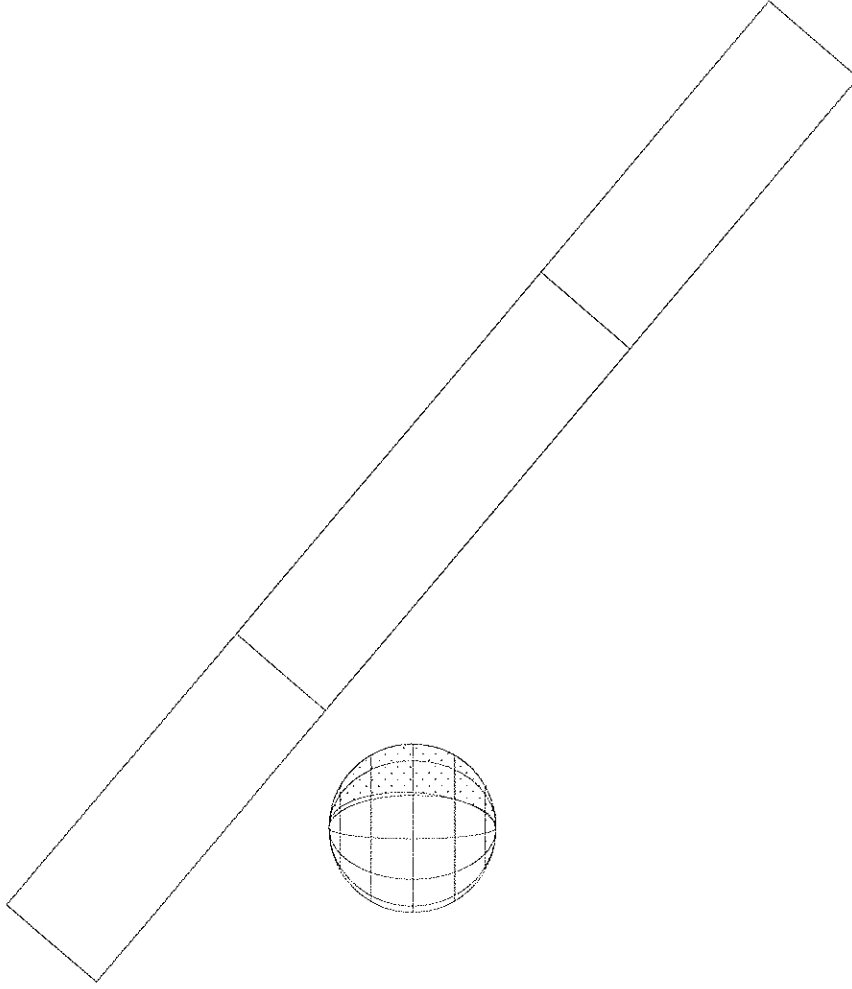
Start UTC_TIME : 1999-225 // 03:22:31.136
No End Time :
Start SCLK : 1/05123835:00:0:0

Target Body : IO
Target Ra/Dec : 68.04 / 24.01 Deg
S/C to Body Center : 1331156. Km (729.66033 R)
Z-axis Pointing (Ra / Dec) : 211.19 / -11.27 Deg

Activity ID: Orbit 22		OAPEL GUAURORA		SeqNo 01-	
Title	Ganymede aurora discovery			Instrument	UVS
Requestor	UVS-AWG/W.KENT TOBISKA	Team	UVS	Working Group	AWG
Time System	CDS	Load ID	22A	Calendar Date	08/14/99 Week 85
Start	JEE+CDS 00003000:00:0		99-226/13:32:07.733	JEE+002/02:33:20.000	
End	JEE+CDS 00003227:00:0		99-226/17:21:39.066	JEE+002/06:22:51.333	
Duration	00000227:00:0		000/03:49:31.333	000/03:49:31.333	
Top Label	22GUAURORA01-				
Bottom Label	realtime				
Plot Key	UVS	Type	SCI		
CDS Bytes	654	Report Options	BOTH	Scan Platform	Yes
CDS Source	OAP	Spin State	DUAL	DMS	No
Observation Objective					
<p>Ganymede aurora (discovery) observations of H I Lyman-a and O I (1356) emissions. We will attempt to detect the Ganymede aurora in conjunction with SSI and NIMS in a mini-campaign. This is a realtime observation for TBD hours using G/G mini-scans (Ly-a and 1356) at a distance from Jupiter = 28 Rj.</p> <p>Eclipse of Ganymede occurs between 226/14:29 and 16:54</p>					
Design Detail					
PSID	CDS	RIM	COMMAND PARAMETERS		
176CC	15	-04:00	SCITLM PPB; UTIL 00 04:00 SCAN TYPE 3 UTILITY; 176CD 15 06:00 SCITLM RPB		
384CB	00	00:00	COMMT UVS RIM 0		
157CB	66	02:00	CMDRS PLAN_DUR = 225 RIMS; EST_UVS_CMDS = 4 (34UVS)		
		03:00	1 UVG:DF, FIXED, NORM, NORM, NORM, SAME, 0, OFF, OFF, ON, ON, OFF, NOOVR, 1, 2C, 7D, 00, 2C		
		02:00	90 UVG:D1, FIXED, NORM, NORM, NORM, SAME, 0, OFF, OFF, ON, ON, OFF, NOOVR, 1, B6, 45, 00, 00		
		212:00	210 UVG:DF, FIXED, NORM, NORM, NORM, SAME, 0, OFF, OFF, ON, ON, OFF, NOOVR, 1, 2C, 7D, 00, 2C		
		227:00	225 OFF:07, SCAN, NORM, NORM, NORM, SAME, 0, ON, OFF, OFF, OFF, OFF, NOOVR, 1, 00, 9C, 00, 00		
349CG	28	02:69	UVFLSH DISCRD, UVS		
165CF	54	03:00	TARGET sky background cone_off=5.0 TMC (RA/Dec = 87.36/25.28)		
176CE	15	53:00	SCITLM PPB; UTIL 00 61:00 SCAN TYPE 3 UTILITY; 176CF 15 63:00 SCITLM RPB		
349CH	28	58:69	UVFLSH PACKET, UVS (1) H I sky background		
165CG	54	60:00	TARGET subsc pt TMC (RA/Dec = 88.90/25.30)		
176CG	15	85:00	SCITLM PPB; UTIL 00 93:00 SCAN TYPE 3 UTILITY; 176CH 15 95:00 SCITLM RPB		
349CI	28	90:69	UVFLSH PACKET, UVS (2) Ganymede Ly-a		
165CH	54	92:00	TARGET subsc pt TMC (RA/Dec = 89.58/25.30)		
176CI	15	148:00	SCITLM PPB; UTIL 00 156:00 SCAN TYPE 3 UTILITY; 176CJ 15 158:00 SCITLM RPB		
165CI	54	155:00	TARGET subsc pt TMC (RA/Dec = 91.21/25.29)		
176CK	15	189:00	SCITLM PPB; UTIL 00 197:00 SCAN TYPE 3 UTILITY; 176CL 15 199:00 SCITLM RPB		
349CJ	28	194:69	UVFLSH PACKET, UVS (3) Ganymede 1356		
165CJ	54	196:00	TARGET sky background cone_off=-5.0 TMC (RA/Dec = 91.74/25.27)		
349CK	28	210:69	UVFLSH PACKET, UVS (4) O I sky background		

Tue May 25 15:55:53 1999

22GAURORA01_L1

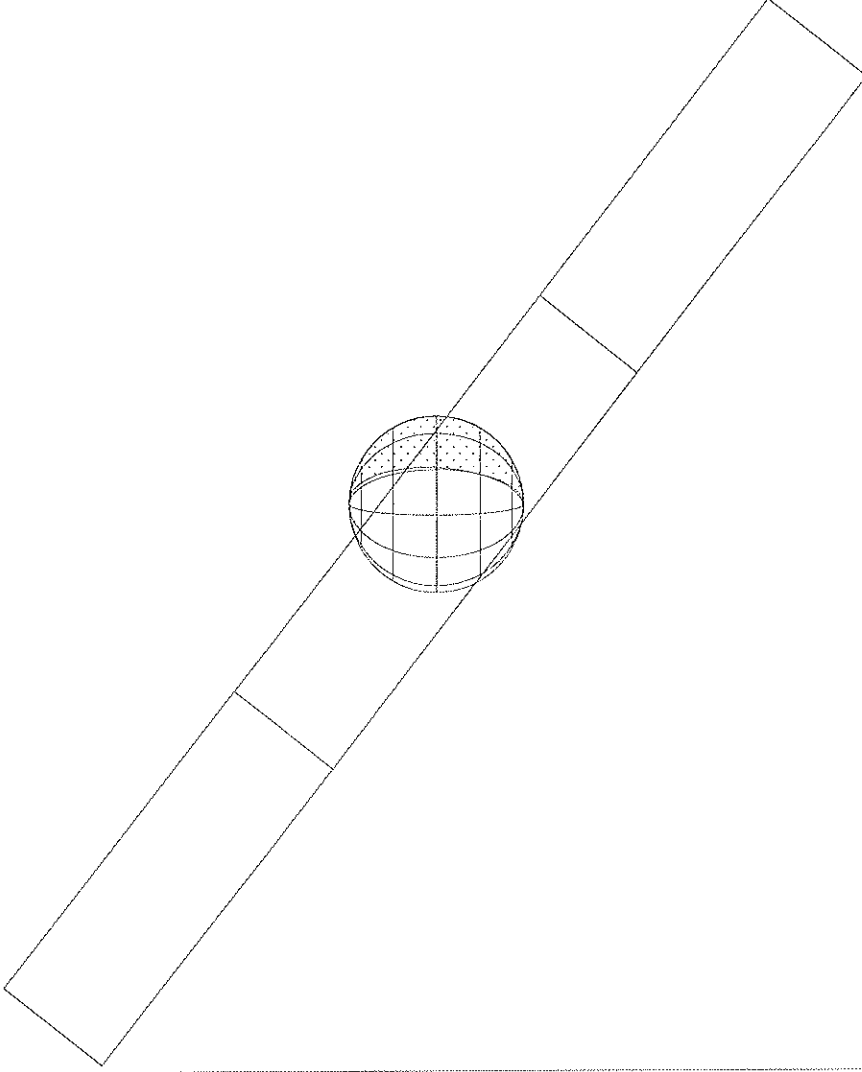


Start UTC_TIME : 1999-226 // 13:35:04.396
No End Time :
Start SCLK : 1/05125865:00:0:0

Target Body : CANYMEDE
Target Ra/Dec : 87.67 / 25.30 Deg
S/C to Body Center : 2123539. Km (806.20328 Rg)
Z-axis Pointing (Ra / Dec) : 211.19 / -11.27 Deg

Tue May 25 15:57:37 1999

22GAURORA01...2

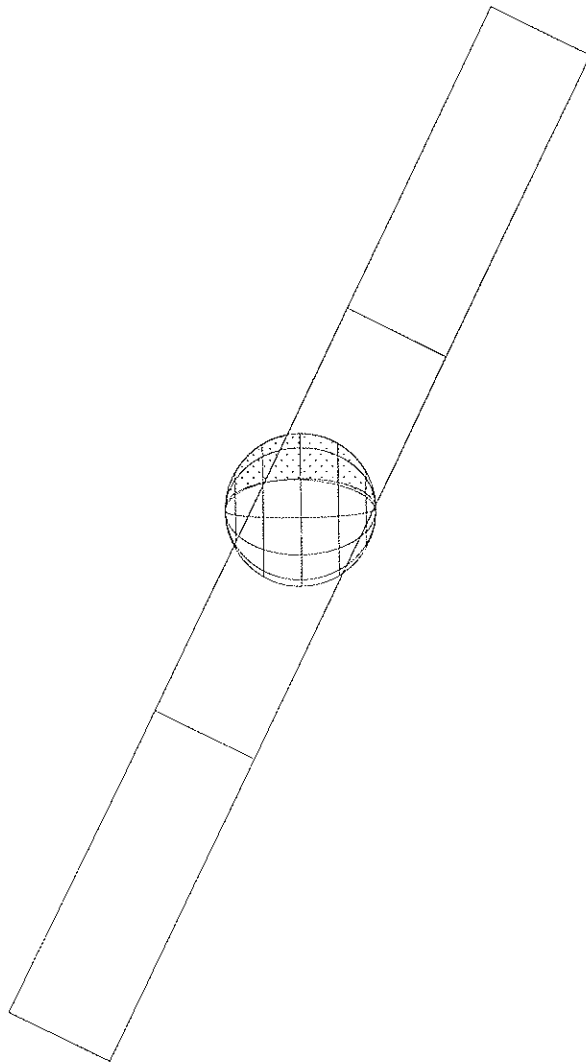


Start UTC_TIME : 1999-226 // 13:54:17.062
No End Time :
Start SCLK : 1/05125884:00:0:0

Target Body : GANYMEDE
Target Ro/Dec : 88.09 / 25.30 Deg
S/C to Body Center : 2139838. Km (812.39121 Rg)
Z-axis Pointing (Ro / Dec) : 211.19 / -11.27 Deg

Tue May 25 15:59:05 1999

22GAURORA01_3

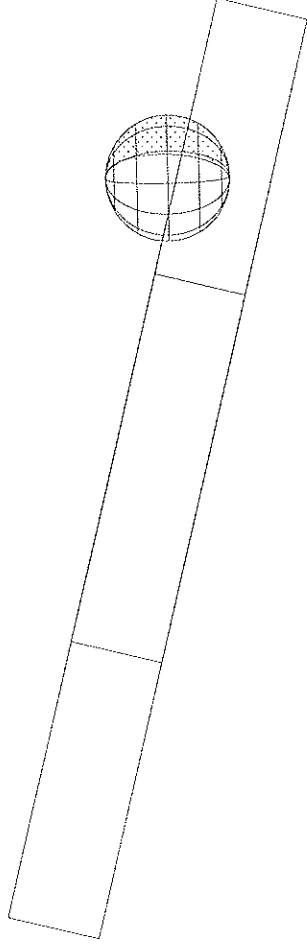


Start UTC_TIME : 1999-226 // 15:04:03.059
No End Time :
Start SCLK : 1/05125953:00:0:0

Target Body : GANYMEDE
Target Ra/Dec : 89.56/ 25.30 Deg
S/C to Body Center : 2199037. Km (834.8661; Rg)
Z-axis Pointing (Ra / Dec) : 211.19 / -11.27 Deg

Tue May 25 16:00:26 1999

22GAURORA01...4

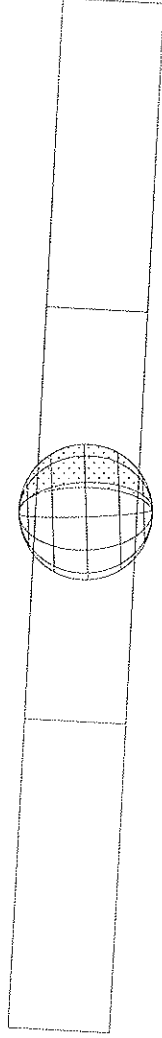


Start UTC_TIME : 1999-226 // 16:07:45.057
No End Time :
Start SCLK : 1/05126016:00:0:0

Target Body : GANYMEDE
Target Ra/Dec : 90.87 / 25.28 Deg
S/C to Body Center : 225306.: Km (855.37948 Rg)
Z-axis Pointing (Ra / Dec) : 211.19 / -11.27 Deg

Tue May 25 16:01:29 1999

22CAURORA01_5



Start UTC_TIME : 1999-226 // 16:50:13.055
No End Time :
Start SCLK : 1/05126058:00:00

Target Body : GANYMEDE
Target Ra/Dec : 91.73/ 25.27 Deg
S/C to Body Center : 2289063. Km (869.04452 Rg)
Z-axis Pointing (Ra / Dec) : 211.19 / -11.27 Deg