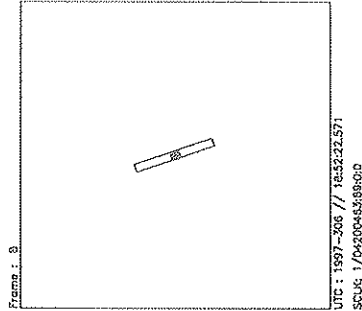
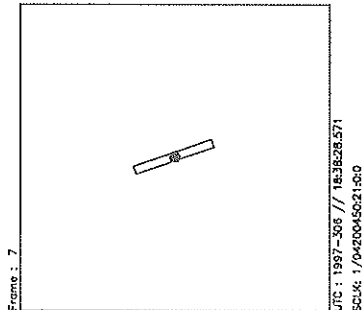
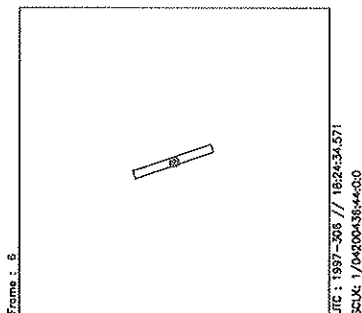
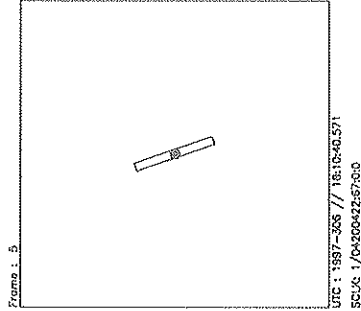
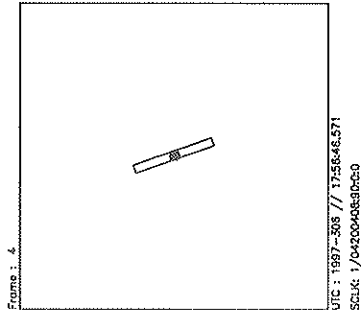
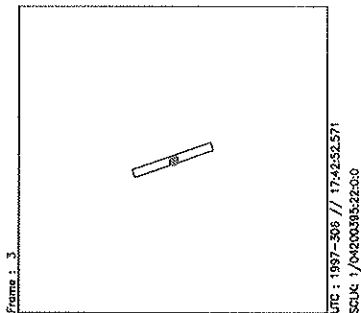
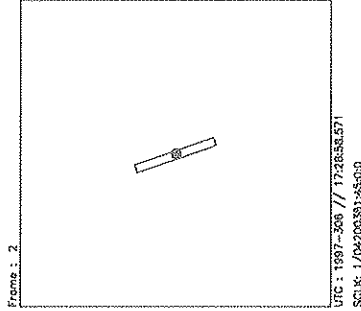
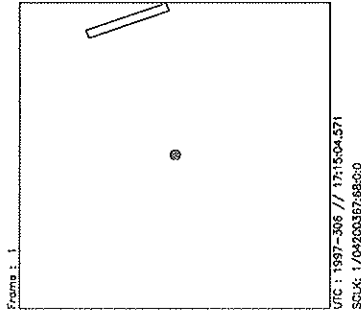
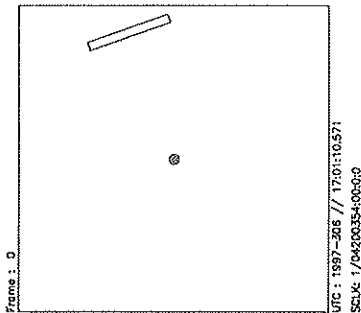


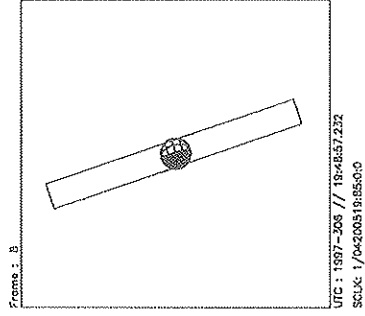
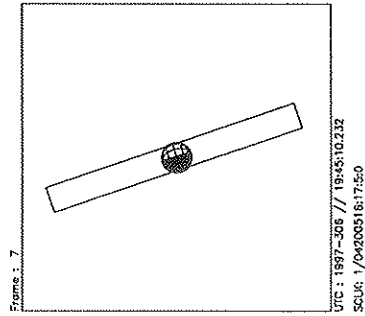
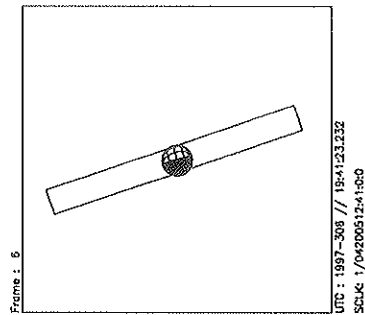
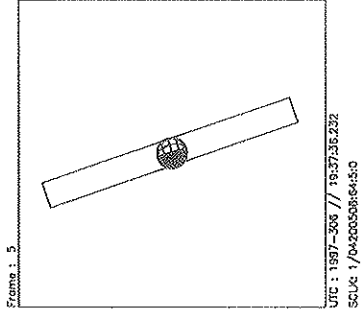
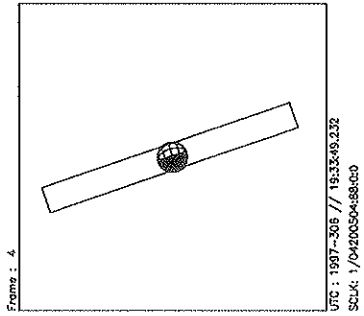
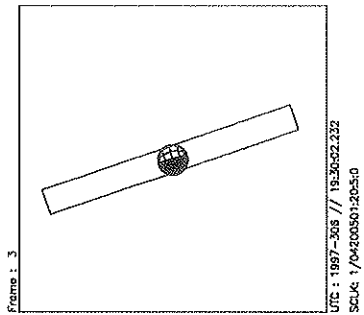
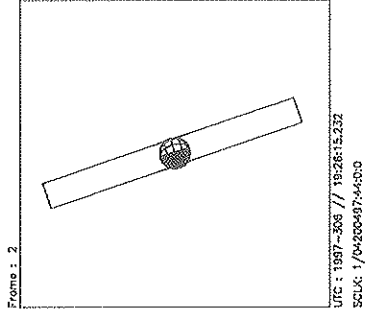
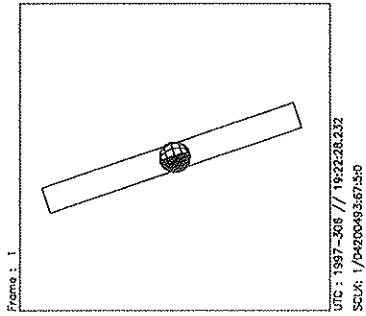
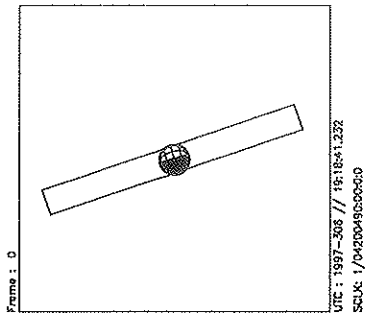
| | | | | | |
|---|-------------------------------|-----------------------|---------------------|----------------------|----------------------|
| Activity ID: | Orbit 11 | OAPEL | CUCALDRK | SeqNo | 01- |
| Title | UVS Callisto Eclipse Phase 97 | | | Instrument | UVS |
| Requestor | UVS-SWG/W. SWEET X30523 | Team | UVS | Working Group | SWG |
| Time System | CDS | Load ID | 11A | Calendar Date | 11/02/97 |
| | | | | Week | 44 |
| Start | CEE-CDS 00003698:00:0 | | 97-306/16:57:12.733 | | CEE-002/14:19:05.333 |
| End | CEE-CDS 00003574:00:0 | | 97-306/19:02:35.400 | | CEE-002/12:13:42.666 |
| Duration | 00000124:00:0 | | 000/02:05:22.667 | | 000/02:05:22.667 |
| Top Label | 11CUCALDRK01- | | | | |
| Bottom Label | (real-time) | | | | |
| Plot Key | UVS | Type | SCI | | |
| CDS Bytes | 240 | Report Options | BOTH | Scan Platform | Yes |
| CDS Source | OAP | Spin State | DUAL | DMS | No |
| Observation Objective | | | | | |
| <div style="border: 1px solid black; padding: 5px;"> <p>11CUCALDRK01- observation. Observe Callisto at -90' longitude and -97' phase angle. Target with TMC. Observe background for 1/2 hour while Callisto enters eclipse. Observe on body for 1.5 hours after Callisto is fully eclipsed. Look for OH. Cycle 4 times with 20 rims HV ON and 10 rims HV OFF for PWS quiet.</p> <p>UVS configuration: 3090Å N/N 33-step mini-scan Rj = 44.9</p> <p>MBTG = 2 flushes * 17712 bits/flush = 0.035</p> </div> | | | | | |
| Design Detail | | | | | |
| CDS RIM COMMAND PARAMETERS | | | | | PSID |
| 0 000 COMMENT UVS RIM 0 | | | | | (384CA) |
| 28 003+UVFLUSH DISCRD,UVS | | | | | (349CA) |
| 37 002 LOOPER (period 30 rims, num loops 4) | | | | | (061CA) |
| 38 003 CMDRS | | | | | (157CA) |
| 004 1 34UVS,D7,F,N,N,N,S,0,OFF, ON,OFF, ON,OFF,NOOVR,1,78,5D,00,00 | | | | | |
| 024 21 34UVS,C1,F,N,N,N,S,0,OFF,OFF, ON,OFF,OFF,NOOVR,1,2C,05,00,00 | | | | | |
| 27 004 TARGET off body (background) | | | | | (165CA) |
| 28 023+UVFLUSH PACKET,UVS | | | | | (349CB) |
| 54 034 TARGET with TMC on body | | | | | (165CB) |
| 28 114+UVFLUSH PACKET,UVS | | | | | (349CC) |



Start UTC_TIME : 1997-306 // 17:01:10.571
End UTC_TIME : 1997-306 // 18:52:23.900
Start SCLK : 1/04200354:00:0
Delta Time between FOV : 634.0000
FOVs : F Channel(0.1x0.4), N/G Channel(0.1x1.0)

Target Body : CALLISTO
Target Ra/Dec : 224.24/-18.72 Deg
S/C to Body Center : 2476018. Km (1030.3862 Rc)
Z-axis Pointing (Ra / Dec) : 157.25 / -19.00 Deg

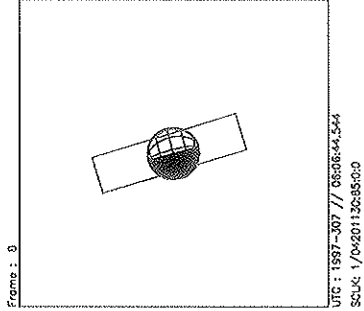
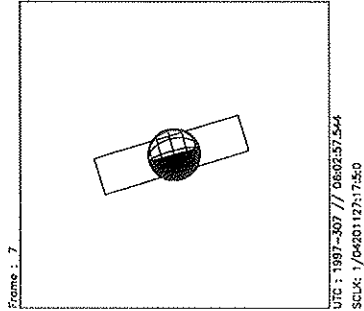
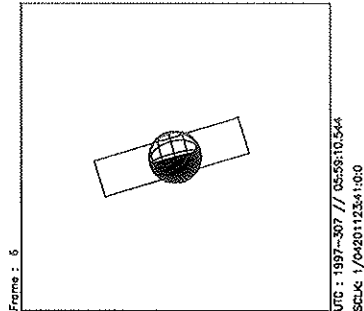
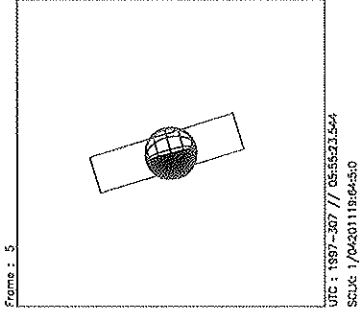
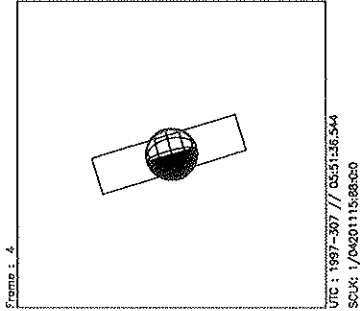
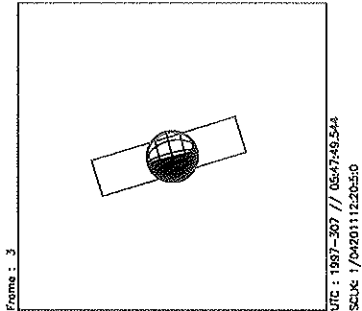
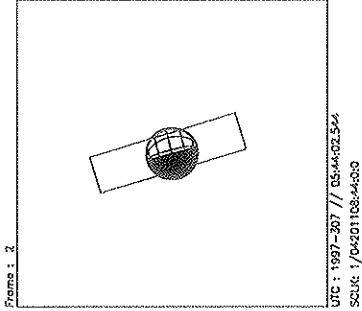
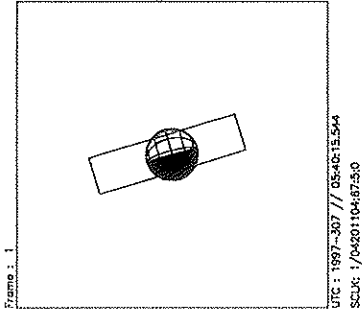
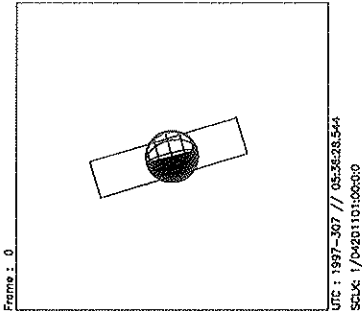
| | | | | | |
|--|-----------------------|-------------------------------|-------------------------------|--------------------------------|----------------------------|
| Activity ID: Orbit 11 | | OAPEL CUCALDRK | | SeqNo 02- | |
| Title | | UVS Callisto Eclipse Phase 96 | | Instrument UVS | |
| Requestor | | UVS-SWG/W. SWEET X30523 | | Team UVS | |
| | | | | Working Group SWG | |
| Time System | CDS | Load ID | 11A | Calendar Date | 11/02/97 |
| | | | | Week | 44 |
| Start | CEE-CDS 00003562:00:0 | | 97-306/19:14:43.400 | | CEE-002/12:01:34.666 |
| End | CEE-CDS 00003528:00:0 | | 97-306/19:49:06.066 | | CEE-002/11:27:12.000 |
| Duration | 00000034:00:0 | | 000/00:34:22.666 | | 000/00:34:22.666 |
| Top Label | 11CUCALDRK02- | | | | |
| Bottom Label | (real-time) | | | | |
| Plot Key | UVS | Type | SCI | | |
| CDS Bytes | 120 | Report Options | BOTH | Scan Platform | Yes |
| CDS Source | OAP | Spin State | DUAL | DMS | No |
| Observation Objective | | | | | |
| <div style="border: 1px solid black; padding: 5px; width: 200px; height: 150px; display: inline-block; vertical-align: top;"> </div> <p>11CUCALDRK02- observation. Observe Callisto at ~90° longitude and ~96° phase angle. Target with TMC on body. Callisto in eclipse. UVS configuration: 1356 - 1356 Å G/G 16-step mini-scan Rj = 44.3 MBTG = 1 flush * 17712 bits/flush = 0.018</p> | | | | | |
| Design Detail | | | | | |
| CDS RIM COMMAND PARAMETERS | | | | | PSID |
| 0 | 000 | COMMENT | UVS RIM 0 | | (384CB) |
| 0 | 003+UVFLUSH | DISCRD | ---Omitted to save bytes | | |
| 38 | 003 | CMDRS | | | (157CB) |
| | 004 | 1 | 34UVS,D1,F,N,N,N,S,0,OFF,OFF, | ON, | ON,OFF,NOOVR,1,B6,45,00,00 |
| | 034 | 31 | 34UVS,C1,F,N,N,N,S,0,OFF,OFF, | ON,OFF,OFF,NOOVR,1,2C,05,00,00 | |
| 54 | 004 | TARGET | with TMC on body | | (165CC) |
| 28 | 033+UVFLUSH | PACKET,UVS | | | (349CD) |



Start UTC_TIME : 1997-306 // 19:18:41.232
End UTC_TIME : 1997-306 // 19:49:01.231
Start SCLK : 1/0420049000000
Delta Time between FOV : 227.0000
FOVs : F Channel(0.1x0.4), N/G Channel(0.1x1.0)

Target Body : CALLISTO
Target Ra/Dec : 225.36 / -19.04 Deg
S/C to Body Center : 2388863. Km (994.11712 Rc)
Z-axis Pointing (Ra / Dec) : 137.25 / 19.00 Deg

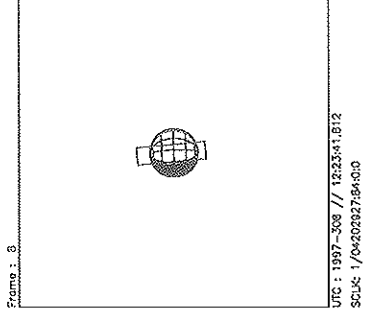
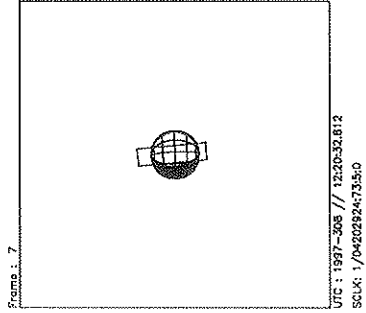
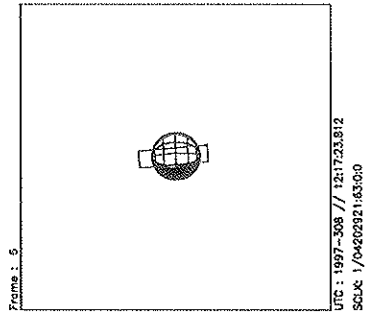
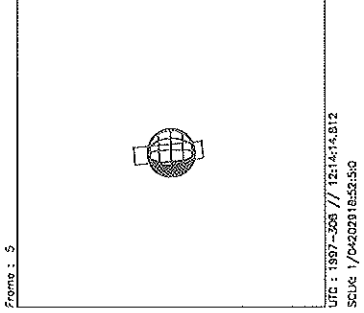
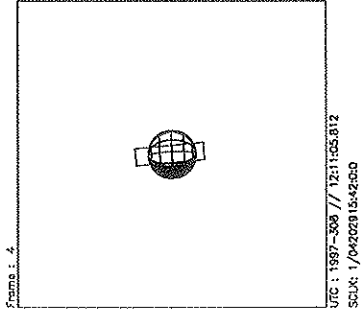
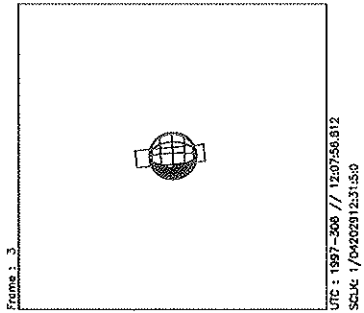
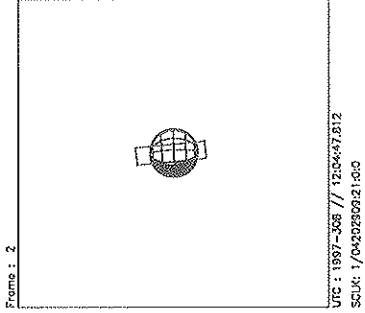
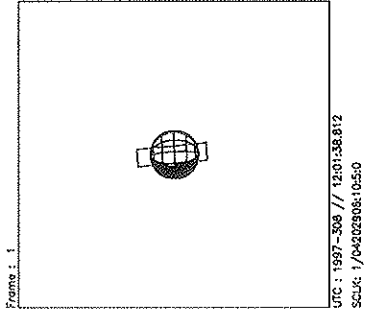
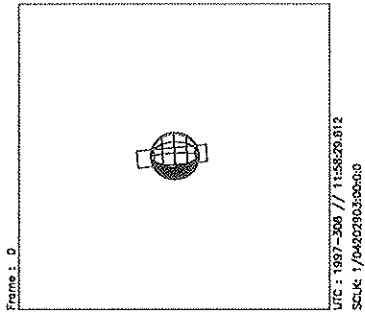
| | | |
|---|-------------------------|-------------------------------|
| Activity ID: Orbit 11 | OAPEL CUPHAS89 | SeqNo 01- |
| Title | UVS Callisto Phase 89 | Instrument UVS |
| Requestor | UVS-SWG/W. SWEET X30523 | Team UVS |
| | | Working Group SWG |
| Time System CDS | Load ID 11A | Calendar Date 11/03/97 |
| | | Week 44 |
| Start | CEE-CDS 00002951:00:0 | 97-307/05:32:30.733 |
| | | CEE-002/01:43:47.333 |
| End | CEE-CDS 00002917:00:0 | 97-307/06:06:53.400 |
| | | CEE-002/01:09:24.666 |
| Duration | 00000034:00:0 | 000/00:34:22.667 |
| | | 000/00:34:22.667 |
| Top Label | 11CUPHAS8901- | |
| Bottom Label | (real-time) | |
| Plot Key | UVS | Type SCI |
| CDS Bytes | 148 | Report Options BOTH |
| | | Scan Platform Yes |
| CDS Source | OAP | Spin State DUAL |
| | | DMS No |
| Observation Objective | | |
| <div style="border: 1px solid black; padding: 5px;"> <p>11CUPHAS8901- observation. Observe Europa at ~100° longitude and ~89° phase angle. Target with TMC.</p> <p>UVS configuration: F/F full scans Rj = 41.25</p> <p>MBTG = 1 flush * 17712 bits/flush = 0.018</p> </div> | | |
| Design Detail | | |
| CDS RIM COMMAND PARAMETERS | | PSID |
| ----- | | ----- |
| 0 000 COMMENT UVS RIM 0 | | (384CC) |
| 28 003+UVFLUSH DISCRD, UVS | | (349CE) |
| 38 003 CMDRS | | (157CC) |
| 004 1 34UVS,07,S,N,N,N,S,0, ON,OFF,OFF, ON,OFF,NOOVR,1,00,9C,00,00 | | |
| 034 31 34UVS,C1,F,N,N,N,S,0,OFF,OFF, ON,OFF,OFF,NOOVR,1,2C,05,00,00 | | |
| 54 004 TARGET with TMC on body | | (165CD) |
| 28 033+UVFLUSH PACKET, UVS | | (349CF) |



Start UTC_TIME : 1997-307 // 05:36:28.544
End UTC_TIME : 1997-307 // 06:06:48.544
Start SCLK : 1/04201101:00:0:0
Delta Time between FOV : 227.0000
FOVs : F Channel(0.1x0.4), N/G Channel(0.1x1.0)

Target Body : CALLISTO
Target Ra/Dec : 230.98 / -20.52 Deg
S/C to Body Center : 2003639. Km (833.80723 Rc)
Z-axis Pointing (Ra / Dec) : 137.25 / 19.00 Deg

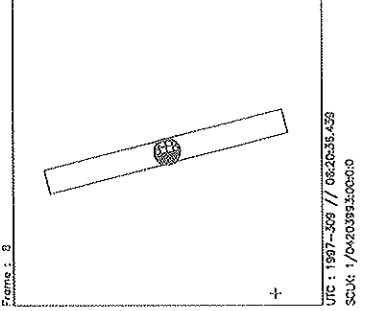
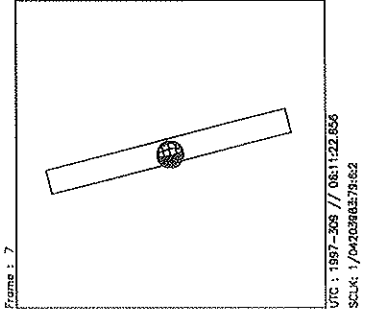
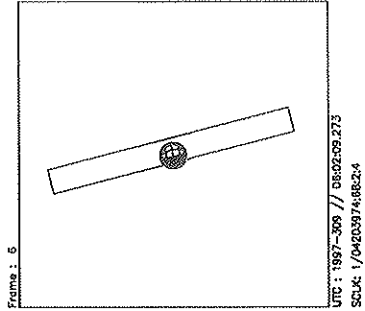
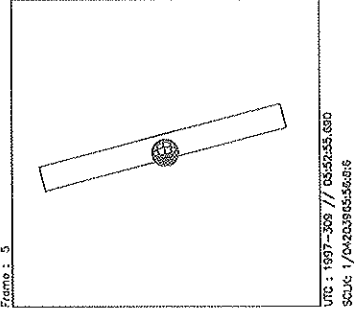
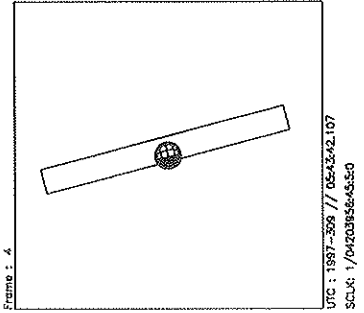
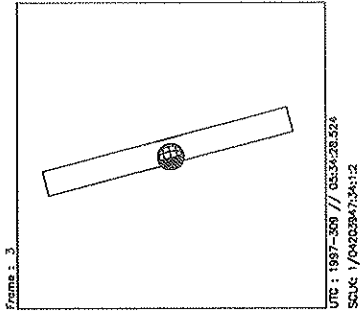
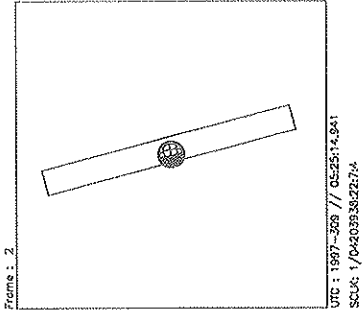
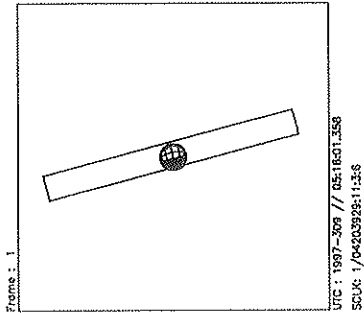
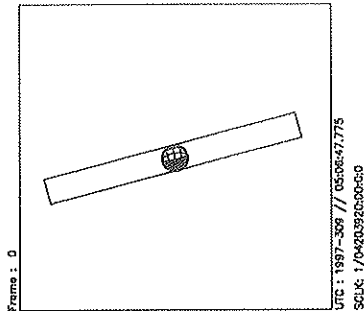
| | | | | |
|------------------------------|--|-----------------------|--|--|
| Activity ID: | Orbit 11 | OAPEL CUPHAS61 | SeqNo | 01- |
| Title | UVS Callisto Phase 61 | | Instrument | UVS |
| Requestor | UVS-SWG/W. SWEET X30523 | Team | UVS | Working Group SWG |
| Time System | CDS | Load ID | 11A | Calendar Date 11/04/97 Week 45 |
| Start | CEE-CDS 00001149:00:0 | | 97-308/11:54:32.066 | CEE-000/19:21:46.000 |
| End | CEE-CDS 00001120:00:0 | | 97-308/12:23:51.400 | CEE-000/18:52:26.666 |
| Duration | 00000029:00:0 | | 000/00:29:19.334 | 000/00:29:19.334 |
| Top Label | 11CUPHAS6101- | | | |
| Bottom Label | (real-time) | | | |
| Plot Key | UVS | Type | SCI | |
| CDS Bytes | 148 | Report Options | BOTH | Scan Platform Yes |
| CDS Source | OAP | Spin State | DUAL | DMS No |
| Observation Objective | | | | |
| | 11CUPHAS6101- observation. Observe Callisto at -90' longitude and -61' phase angle. Target with TMC. | | | |
| | UVS configuration: F/F full scans Rj = 31.26 | | | |
| | MBTG = 1 flush * 17712 bits/flush = 0.018 | | | |
| Design Detail | | | | |
| CDS | RIM | COMMAND | PARAMETERS | PSID |
| 0 | 000 | COMMENT | UVS RIM 0 | (384CF) |
| 28 | 003 | UVFLUSH | DISCRD,UVS | (349CK) |
| 38 | 003 | CMDRS | | (157CF) |
| | 004 | 1 | 34UVS,07,S,N,N,N,S,0, ON,OFF,OFF, ON,OFF,NOOVR,1,00,9C,00,00 | |
| | 029 | 26 | 34UVS,C1,F,N,N,N,S,0,OFF,OFF, ON,OFF,OFF,NOOVR,1,2C,05,00,00 | |
| 54 | 004 | TARGET | with TMC on body | (165CG) |
| 28 | 028 | UVFLUSH | PACKET,UVS | (349CL) |



Start UTC_TIME : 1997-308 // 11:58:29.812
End UTC_TIME : 1997-308 // 12:23:46.477
Start SCLK : 1/04202903:00:00
Delta Time between FOV : 189.0000
FOVs : F Channel(0.1x0.4), N/G Channel(0.1x1.0)

Target Body : CALLISTO
Target Ra/Dec : 261.68 / -24.86 Deg
S/C to Body Center : 989753.6 Km (411.88247 Rc)
Z-axis Pointing (Ra / Dec) : 137.25 / 19.00 Deg

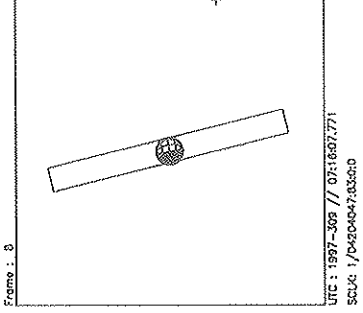
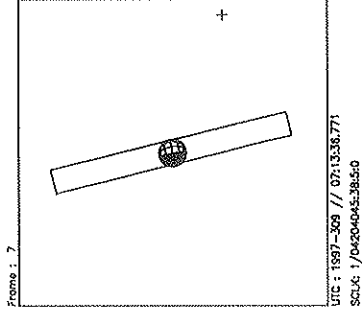
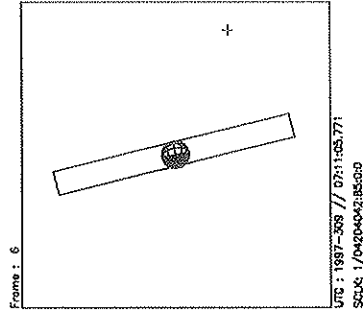
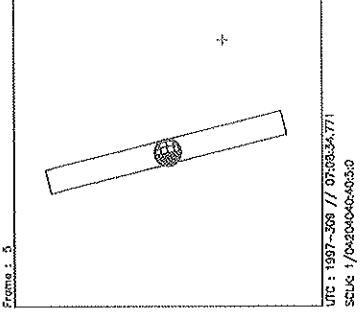
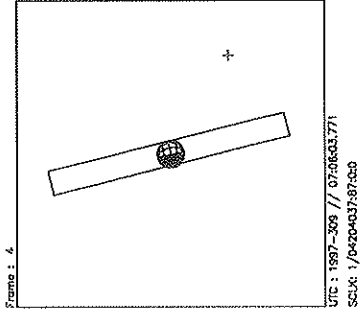
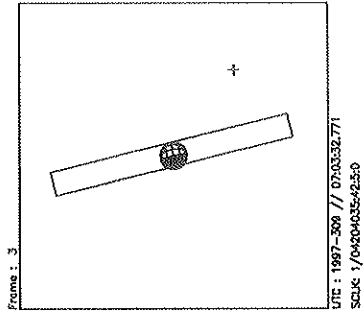
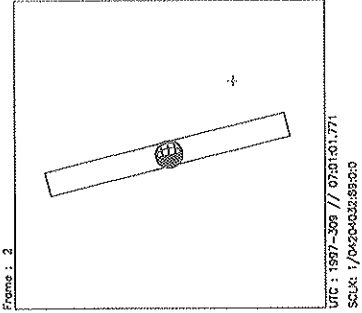
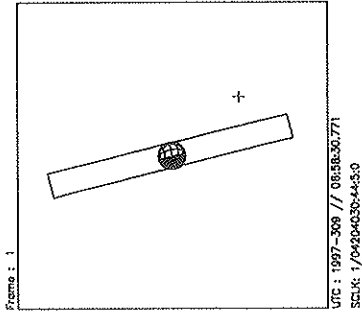
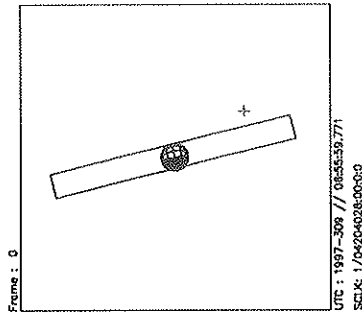
| | | |
|--|----------------------------------|---|
| Activity ID: Orbit 11 | OAPEL EUEUDARK | SeqNo 02- |
| Title | UVS Europa Eclipse Observation 2 | Instrument UVS |
| Requestor | UVS-SWG/W. SWEET X30523 | Team UVS Working Group SWG |
| Time System CDS | Load ID 11A | Calendar Date 11/05/97 Week 45 |
| Start | EEE-CDS 00002343:00:0 | 97-309/05:02:50.400 |
| End | EEE-CDS 00002266:00:0 | 97-309/06:20:41.734 |
| Duration | 00000077:00:0 | 000/01:17:51.334 |
| Top Label | 11EUEUDARK02- | |
| Bottom Label | (real-time) | |
| Plot Key | UVS | Type SCI |
| CDS Bytes | 148 | Report Options BOTH Scan Platform Yes |
| CDS Source | OAP | Spin State DUAL DMS No |
| Observation Objective | | |
| <p>11EUEUDARK02- observation. Observe Europa in eclipse at 90° longitude. Time satellite is completely in umbra shadow. Target with TMC.</p> <p>UVS configuration: 1356-1479 Å G/G 22-step mini-scans Rj = 24.9</p> <p>MBTG = 1 flush * 17712 bits/flush = 0.018</p> | | |
| Design Detail | | |
| CDS RIM COMMAND PARAMETERS | | PSID |
| 0 000 COMMENT UVS RIM 0 | | (384CE) |
| 0 003+UVFLUSH DISCRD,UVS | <--Omitted to save bytes | |
| 66 003 CMDRS | | (157CE) |
| 004 1 34UVS,D3,F,N,N,N,S,0,OFF,OFF, | | ON, ON,OFF,NOOVR,1,B3,4D,00,51 |
| 029 26 34UVS,C1,F,N,N,N,S,0,OFF,OFF, | | ON,OFF,OFF,NOOVR,1,2C,05,00,00 |
| 052 49 34UVS,D3,F,N,N,N,S,0,OFF,OFF, | | ON, ON,OFF,NOOVR,1,B3,4D,00,51 |
| 077 74 34UVS,C1,F,N,N,N,S,0,OFF,OFF, | | ON,OFF,OFF,NOOVR,1,2C,05,00,00 |
| 54 004 TARGET with TMC on body | | (165CF) |
| 28 076+UVFLUSH PACKET,UVS | | (349CI) |



Start UTC_TIME : 1997-309 // 05:06:47.775
End UTC_TIME : 1997-309 // 06:20:38.439
Start SCLK : 1/04203920:00:0:0
Delta Time between FOV : 553.5830
FOVs : F Channel(0.1x0.4), N/G Channel(0.1x1.0)

Target Body : EUROPA
Target Ra/Dec : 236.97 / -21.70 Deg
S/C to Body Center : 1753179. Km (1120.2424 Re)
Z-axis Pointing (Ra / Dec) : 137.25 / 19.00 Deg

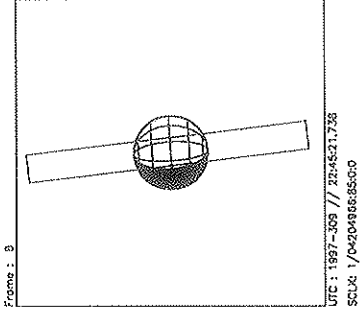
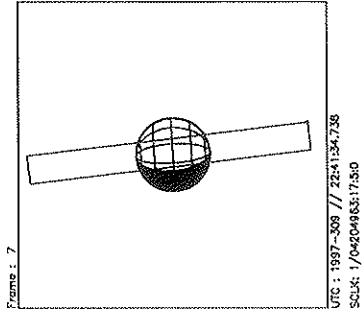
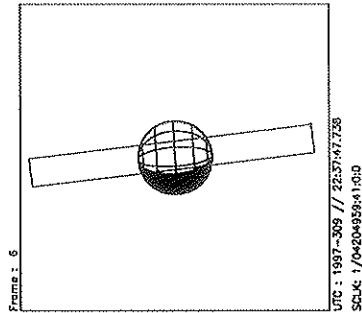
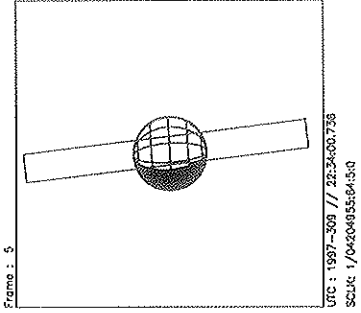
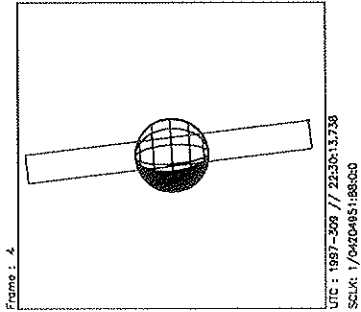
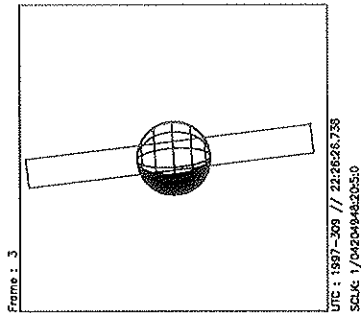
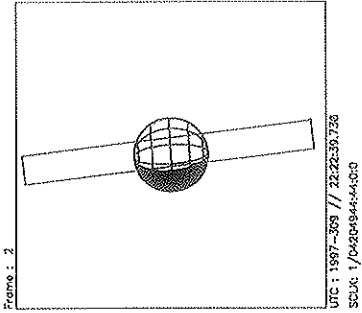
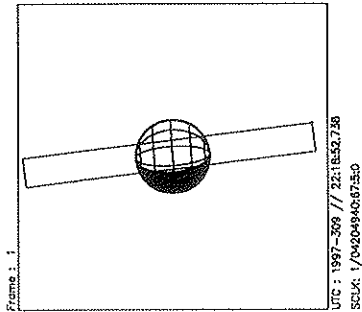
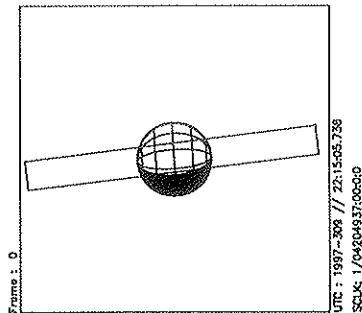
| | | | | | |
|------------------------------|---|-----------------------|-------------------------------|--------------------------------|----------------------------|
| Activity ID: Orbit 11 | | OAPEL EUEUDARK | | SeqNo 01- | |
| Title | UVS Europa Eclipse Observation 1 | | | Instrument | UVS |
| Requestor | UVS-SWG/W. SWEET X30523 | Team | UVS | Working Group | SWG |
| Time System | CDS | Load ID | 11A | Calendar Date | 11/05/97 Week 45 |
| Start | EEE-CDS 00002235:00:0 | | 97-309/06:52:02.000 | | EEE-001/13:39:50.000 |
| End | EEE-CDS 00002211:00:0 | | 97-309/07:16:18.000 | | EEE-001/13:15:34.000 |
| Duration | 00000024:00:0 | | 000/00:24:16.000 | | 000/00:24:16.000 |
| Top Label | 11EUEUDARK01- | | | | |
| Bottom Label | (real-time) | | | | |
| Plot Key | UVS | Type | SCI | | |
| CDS Bytes | 148 | Report Options | BOTH | Scan Platform | Yes |
| CDS Source | OAP | Spin State | DUAL | DMS | No |
| Observation Objective | | | | | |
| | 11EUEUDARK01- observation. Observe Europa in eclipse at 90° longitude. Time satellite is completely in umbra shadow. Target with TMC. | | | | |
| | UVS configuration: 1356-1479 Å G/G 22-step mini-scans Rj = 24.0 | | | | |
| | MBTG = 1 flush * 17712 bits/flush = 0.018 | | | | |
| Design Detail | | | | | |
| CDS RIM COMMAND PARAMETERS | | | | PSID | |
| 0 | 000 | COMMENT | UVS RIM 0 | (384CG) | |
| 28 | 003+UVFLUSH | DISCRD, | UVS | (349CM) | |
| 38 | 003 | CMDRS | | (157CH) | |
| | 004 | 1 | 34UVS,D3,F,N,N,N,S,0,OFF,OFF, | ON, | ON,OFF,NOOVR,1,B3,4D,00,51 |
| | 024 | 21 | 34UVS,C1,F,N,N,N,S,0,OFF,OFF, | ON,OFF,OFF,NOOVR,1,2C,05,00,00 | |
| 54 | 004 | TARGET | with TMC on body | (165CH) | |
| 28 | 023+UVFLUSH | PACKET, | UVS | (349CN) | |



Start UTC_TIME : 1997-309 // 06:55:59.771
End UTC_TIME : 1997-309 // 07:16:13.104
Start SCLK : 1/04204028:00:00
Delta Time between FOV : 151.0000
FOVs : F Channel(0.1x0.4), N/G Channel(0.1x1.0)

Target Body : EUROPA
Target Ra/Dec : 239.55 / -22.20 Deg
S/C to Body Center : 1633699. Km (1043.8973 Re)
Z-axis Pointing (Ra / Dec) : 137.25 / 19.00 Deg

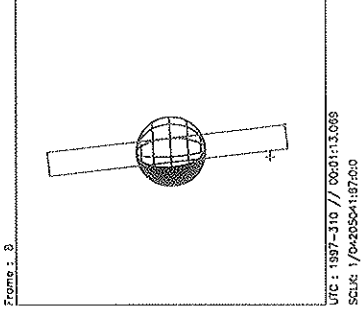
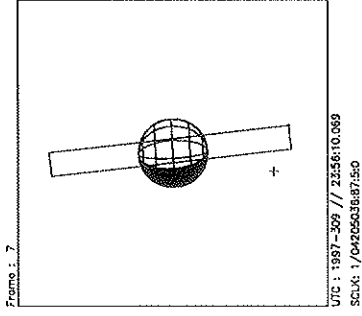
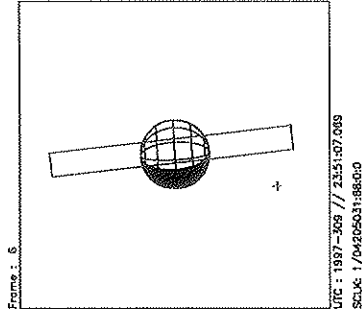
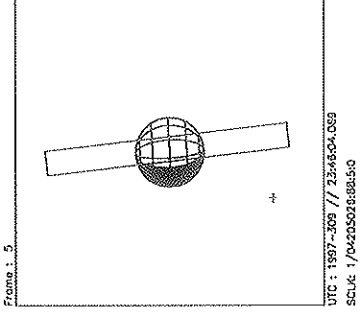
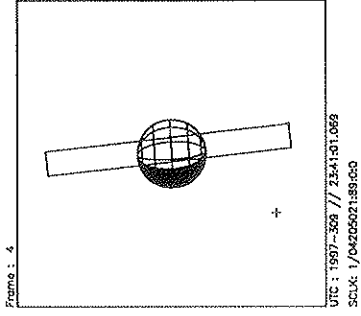
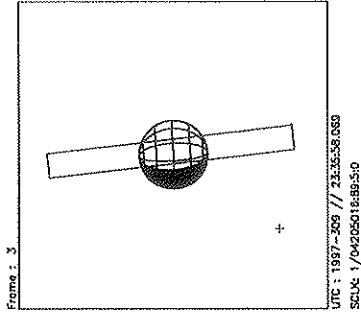
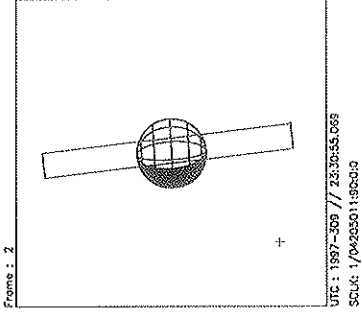
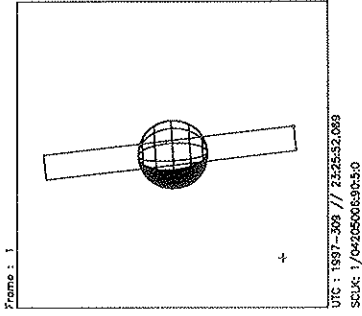
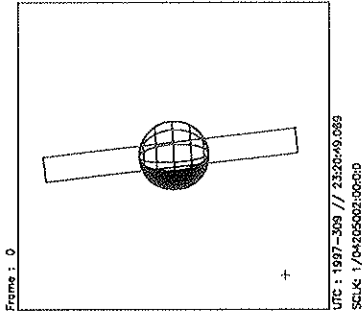
| | | |
|--|---|--|
| Activity ID: Orbit 11 | OAPEL EUPHAS65 | SeqNo 01- |
| Title UVS Europa Phase 65 | | Instrument UVS |
| Requestor UVS-SWG/W. SWEET X30523 | Team UVS | Working Group SWG |
| Time System CDS | Load ID 11A | Calendar Date 11/05/97 Week 45 |
| Start EEE-CDS 00001326:00:0 | 97-309/22:11:08.000 | EEE-000/22:20:44.000 |
| End EEE-CDS 00001292:00:0 | 97-309/22:45:30.667 | EEE-000/21:46:21.333 |
| Duration 00000034:00:0 | 000/00:34:22.667 | 000/00:34:22.667 |
| Top Label 11EUPHAS6501- | | |
| Bottom Label (real-time) | | |
| Plot Key UVS | Type SCI | |
| CDS Bytes 148 | Report Options BOTH | Scan Platform Yes |
| CDS Source OAP | Spin State DUAL | DMS No |
| Observation Objective | | |
| | 11EUPHAS6501- observation. Observe Europa at ~135' longitude and ~65' phase angle. Target with TMC on body. | |
| | UVS configuration: 1356-1479 Å G/G 22-step mini-scans Rj= 17.7 | |
| | MBTG = 1 flush * 17712 bits/flush = 0.018 | |
| | | |
| Design Detail | | |
| CDS RIM COMMAND PARAMETERS | | PSID |
| 0 000 COMMENT UVS RIM 0 | | (384CH) |
| 28 003+UVFLUSH DISCRD, UVS | | (349CO) |
| 38 003 CMDRS | | (157CI) |
| 004 1 34UVS, D3, F, N, N, N, S, 0, OFF, OFF, ON, ON, OFF, NOOVR, 1, B3, 4D, 00, 51 | | |
| 034 31 34UVS, C1, F, N, N, N, S, 0, OFF, OFF, ON, OFF, OFF, NOOVR, 1, 2C, 05, 00, 00 | | |
| 54 004 TARGET with TMC on body | | (165CI) |
| 28 033+UVFLUSH PACKET, UVS | | (349CP) |



Start UTC_TIME : 1997-309 // 22:15:05.738
End UTC_TIME : 1997-309 // 22:45:25.737
Start SCLK : 1/04204937:00:0
Delta Time between FOV : 227.0000
FOVs : F Channel(0.1x0.4), N/G Channel(0.1x1.0)

Target Body : EUROPA
Target Ra/Dec : 258.31 / -24.47 Deg
S/C to Body Center : 708308.4 Km (452.59324 Re)
Z-axis Pointing (Ra / Dec) : 137.25 / 19.00 Deg

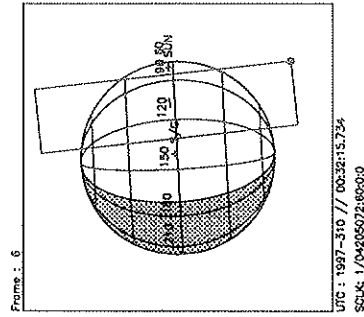
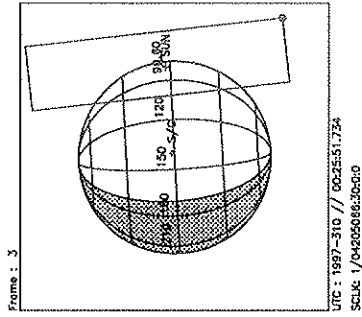
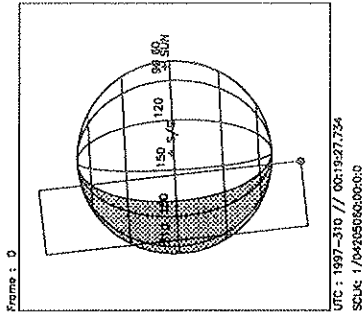
| | | | | | |
|---|----------------------------|---|--------------------------------|--------------------------|--|
| Activity ID: Orbit 11 | | OAPEL EUPHAS64 | | SeqNo 01- | |
| Title UVS Europa Phase 64 | | | | Instrument UVS | |
| Requestor UVS-SWG/W. SWEET X30523 | | Team UVS | | Working Group SWG | |
| Time System CDS | Load ID 11A | Calendar Date 11/05/97 | Week 45 | | |
| Start EEE-CDS 00001261:00:0 | | 97-309/23:16:51.334 | EEE-000/21:15:00.666 | | |
| End EEE-CDS 00001217:00:0 | | 97-310/00:01:20.667 | EEE-000/20:30:31.333 | | |
| Duration 00000044:00:0 | | 000/00:44:29.333 | 000/00:44:29.333 | | |
| Top Label 11EUPHAS6401- | | | | | |
| Bottom Label (real-time) | | | | | |
| Plot Key UVS | Type SCI | | | | |
| CDS Bytes 120 | Report Options BOTH | Scan Platform Yes | | | |
| CDS Source OAP | Spin State DUAL | DMS No | | | |
| Observation Objective | | | | | |
| <div style="border: 1px solid black; padding: 5px; width: 200px; height: 150px; display: inline-block; vertical-align: top;"> </div> <p>11EUPHAS6401- observation. Observe Europa at ~139° longitude and ~64° phase angle. Target with TMC on body.</p> <p>UVS configuration: 1216-1304 Å G/G 16-step mini-scans Rj = 17.3</p> <p>MBTG = 2 flushes * 17712 bits/flush = 0.035</p> | | | | | |
| Design Detail | | | | | |
| CDS RIM COMMAND PARAMETERS | | | PSID | | |
| ----- | | | ----- | | |
| 0 | 000 | COMMENT UVS RIM 0 | (384CI) | | |
| 0 | 003 | UVFLUSH DISCRD <--Omitted to save bytes | | | |
| 38 | 003 | CMDRS | (157CJ) | | |
| | 004 | 1 34UVS,D1,F,N,N,N,S,0,OFF,OFF, | ON, ON,OFF,NOOVR,1,5A,45,00,39 | | |
| | 044 | 41 34UVS,C1,F,N,N,N,S,0,OFF,OFF, | ON,OFF,OFF,NOOVR,1,2C,05,00,00 | | |
| 54 | 004 | TARGET with TMC on body | (165CJ) | | |
| 28 | 043 | UVFLUSH PACKET,UVS | (349CR) | | |



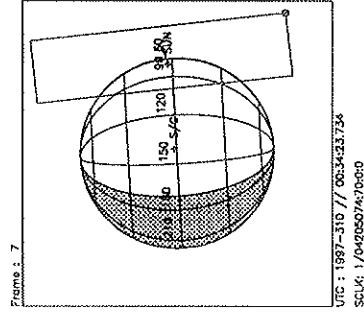
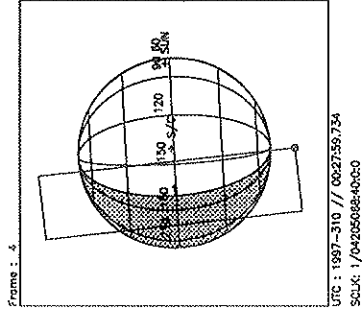
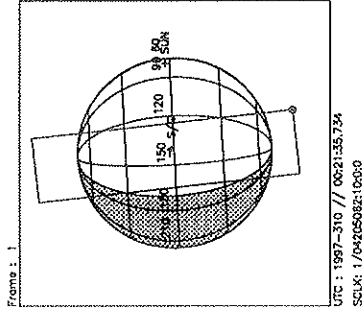
Start UTC_TIME : 1997-309 // 23:20:49.069
 End UTC_TIME : 1997-310 // 00:01:15.734
 Start SCLK : 1/04205002:00:0:0
 Delta Time between FOW : 303.0000
 FOWs : F Channel(0.1x0.4), N/G Channel(0.1x1.0)

Target Body : EUROPA
 Target Ra/Dec : 259.21 / -24.51 Deg
 S/C to Body Center : 653414.5 Km (417.51723 Re)
 Z-axis Pointing (Ra / Dec) : 137.25 / 19.00 Deg

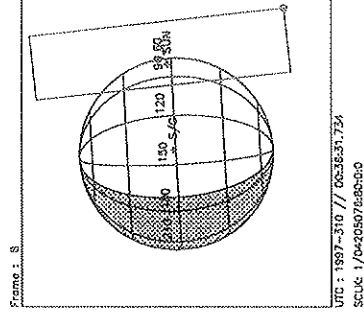
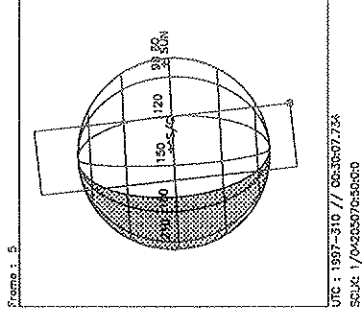
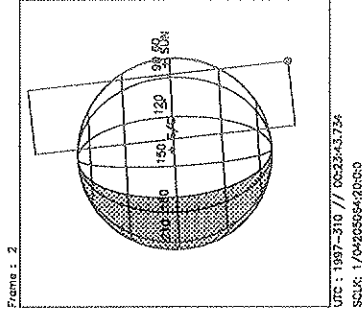
| | | | | |
|------------------------------|--|-------------------------------|--|---------|
| Activity ID: Orbit 11 | OAPEL EUM20HR_ | SeqNo 01+ | | |
| Title | UVS r/a w/ NIMS Europa Obs Beyond 15 Rj | Instrument UVS | | |
| Requestor | UVS-SWG/W. SWEET X30523 | Team UVS | | |
| | | Working Group SWG | | |
| Time System CDS | Load ID 11A | Calendar Date 11/06/97 | | |
| | | Week 45 | | |
| Start | EEE-CDS 00001203:00:0 | 97-310/00:15:30.000 | | |
| | | EEE-000/20:16:22.000 | | |
| End | EEE-CDS 00001183:00:0 | 97-310/00:35:43.334 | | |
| | | EEE-000/19:56:08.666 | | |
| Duration | 00000020:00:0 | 000/00:20:13.334 | | |
| | | 000/00:20:13.334 | | |
| Top Label | 11EUM20HR_01+ | | | |
| Bottom Label | (ride-along) | | | |
| Plot Key | UVS | Type SCI | | |
| CDS Bytes | 38 | Report Options BOTH | | |
| | | Scan Platform No | | |
| CDS Source | OAP | Spin State DUAL | | |
| | | DMS No | | |
| Observation Objective | | | | |
| | 11EUM20HR_01+: Ride-along with the NIMS 11EUM20HR_01 observation to observe Europa in the 1600Å to 3200Å wavelength regions at phase angles not obtainable from the Earth. Data will supplement and complement the NIMS surface property measurements. | | | |
| | Rj = 16.9 | | | |
| | UVS configuration: F/F full scans | | | |
| | MBTG = (1008 bits/sec) * (300 sec) /1.5 (compression) = 0.202 | | | |
| Design Detail | | | | |
| CDS | RIM | COMMAND | PARAMETERS | PSID |
| 38 | 000 | CMDRS | | (157CK) |
| | 004 | 1 | 34UVS,07,S,N,N,N,S,0, ON,OFF,OFF, ON,OFF,NOOVR,1,00,9C,00,00 | |
| | 012 | 9 | 34UVS,C1,F,N,N,N,S,0,OFF,OFF, ON,OFF,OFF,NOOVR,1,2C,05,00,00 | |



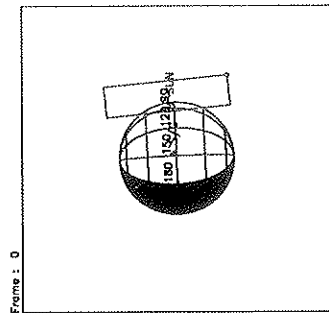
Start UTC.TIME : 1997-310 // 00:19:27.734
End UTC.TIME : 1997-310 // 00:36:39.066
Start SCLK : 1/04205060:0:0
Delta Time between FOV : 128.0000
FOVs : F Channel(0.1x0.4), N/G Channel(0.1x1.0)



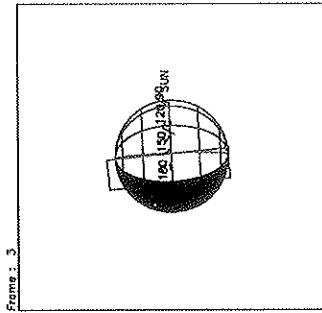
Target Body : EUROPA
Target Ra/Dec : 259.92 / -24.55 Deg
S/C to Body Center : 606246.3 Km (387.37783 Re)
Z-axis Pointing (Ra / Dec) : 157.25 / 19.00 Deg



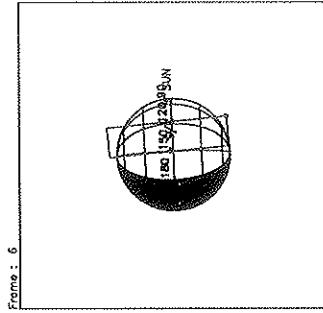
| | | | | |
|---|---|-----------------------|--|--|
| Activity ID: | Orbit 11 | OAPEL EUP17HR_ | SeqNo | 01+ |
| Title | UVS r/a w/ NIMS Europa Obs Beyond 15 Rj | | Instrument | UVS |
| Requestor | UVS-SWG/W. SWEET X30523 | Team | UVS | Working Group SWG |
| Time System | CDS | Load ID | 11A | Calendar Date 11/06/97 Week 45 |
| Start | EEE-CDS 00001042:00:0 | | 97-310/02:58:17.334 | EEE-000/17:33:34.666 |
| End | EEE-CDS 00001022:00:0 | | 97-310/03:18:30.667 | EEE-000/17:13:21.333 |
| Duration | 00000020:00:0 | | 000/00:20:13.333 | 000/00:20:13.333 |
| Top Label | 11EUP17HR_01+ | | | |
| Bottom Label | (ride-along) | | | |
| Plot Key | UVS | Type | SCI | |
| CDS Bytes | 38 | Report Options | BOTH | Scan Platform No |
| CDS Source | OAP | Spin State | DUAL | DMS No |
| Observation Objective | | | | |
| <div style="border: 1px solid black; padding: 5px;"> <p>11EUP17HR_01+: Ride-along with the NIMS 11EUP17HR_01 observation to observe Europa in the 1600Å to 3200Å wavelength regions at phase angles not obtainable from the Earth. Data will supplement and complement the NIMS surface property measurements.</p> <p>Rj = 15.6 UVS configuration: F/F full scans</p> <p>MBTG = (1008 bits/sec) * (360 sec) /1.5 compression) = 0.242</p> </div> | | | | |
| Design Detail | | | | |
| CDS | RIM | COMMAND | PARAMETERS | PSID |
| 38 | 000 | CMDRS | | (157CL) |
| | 004 | 1 | 34UVS,07,S,N,N,N,S,0, ON,OFF,OFF, ON,OFF,NOOVR,1,00,9C,00,00 | |
| | 013 | 10 | 34UVS,C1,F,N,N,N,S,0,OFF,OFF, ON,OFF,OFF,NOOVR,1,2C,05,00,00 | |



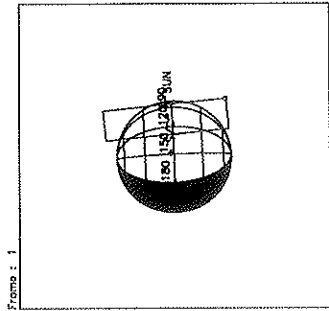
UTC : 1997-310 // 03:00:13.728
 SCUX: 1/04205215:0000



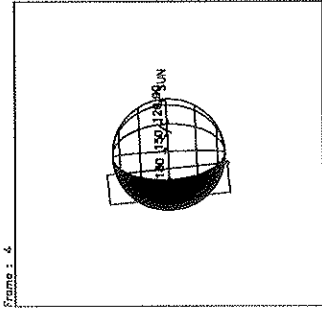
UTC : 1997-310 // 03:07:23.728
 SCUX: 1/04205228:1100



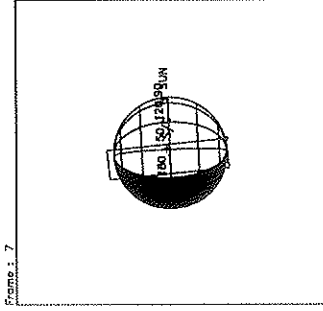
UTC : 1997-310 // 03:14:37.728
 SCUX: 1/04205232:2200



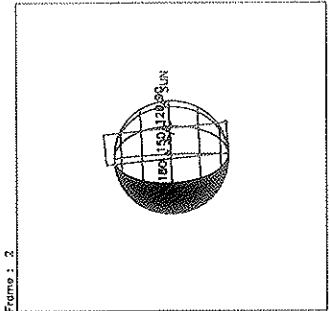
UTC : 1997-310 // 03:02:37.728
 SCUX: 1/04205221:3400



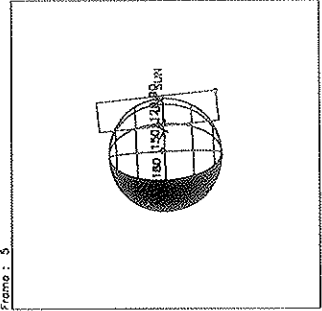
UTC : 1997-310 // 03:08:49.728
 SCUX: 1/04205228:4500



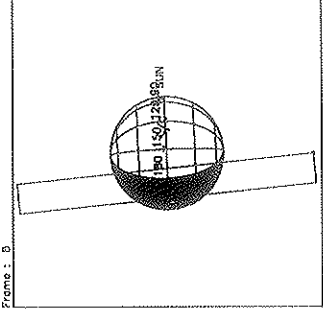
UTC : 1997-310 // 03:17:01.728
 SCUX: 1/04205235:5600



UTC : 1997-310 // 03:05:01.728
 SCUX: 1/04205223:6800



UTC : 1997-310 // 03:12:13.728
 SCUX: 1/04205230:7900

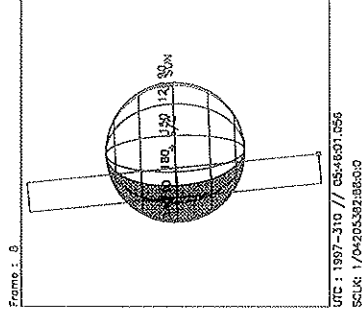
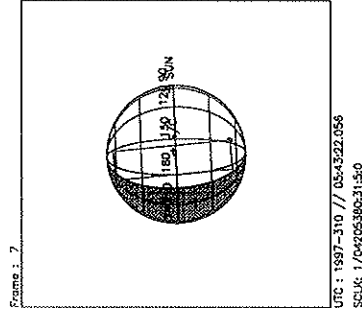
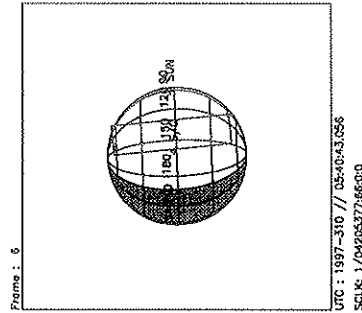
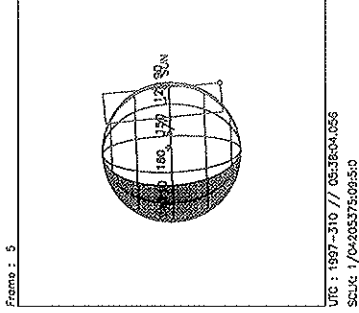
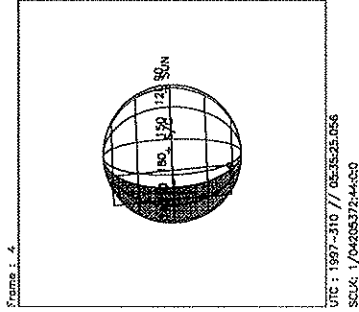
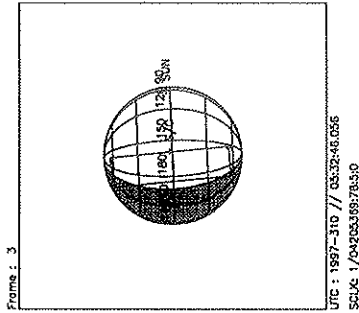
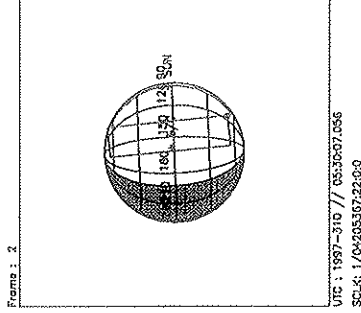
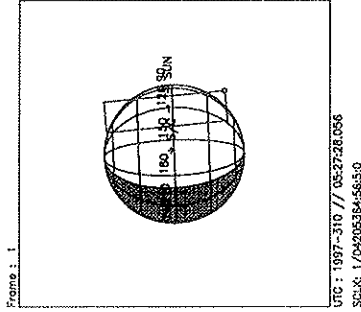
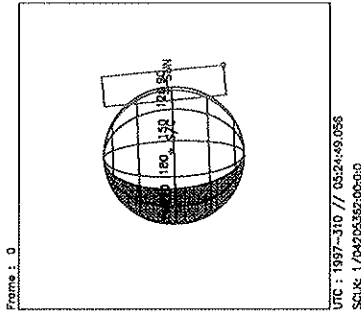


UTC : 1997-310 // 03:19:25.728
 SCUX: 1/04205237:9000

Target Body : EUROPA
 Target Ra/Dec : 261.40/-24.60 Deg
 S/C to Body Center : 486210.0 Km (310.67730 Re)
 Z-axis Pointing (Ra / Dec) : 137.25 / 19.00 Deg

Start UTC.TIME : 1997-310 // 03:00:13.728
 End UTC.TIME : 1997-310 // 03:19:26.394
 Start SCUX : 1/04205219:00:00
 Delta Time between FOV : 144.0000
 FOVs : F Channel(0.1x0.4), N/G Channel(0.1x1.0)

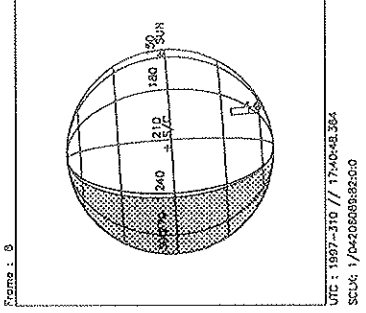
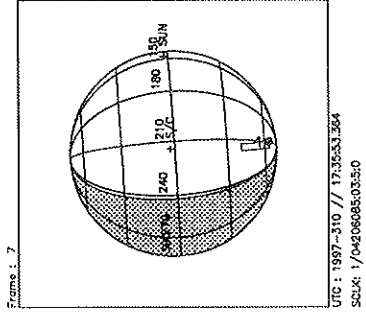
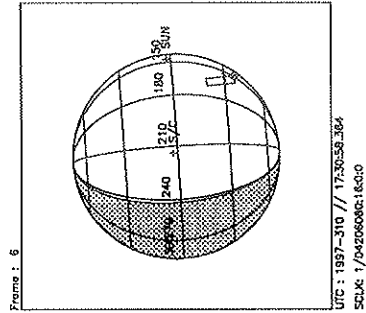
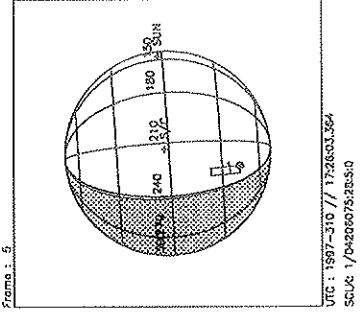
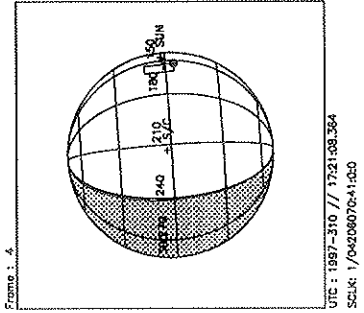
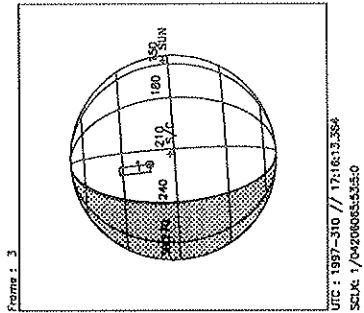
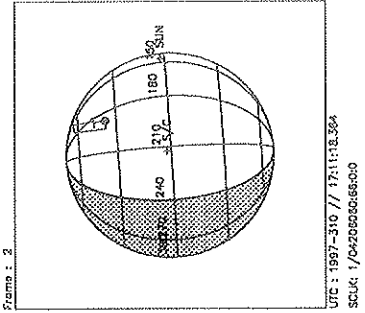
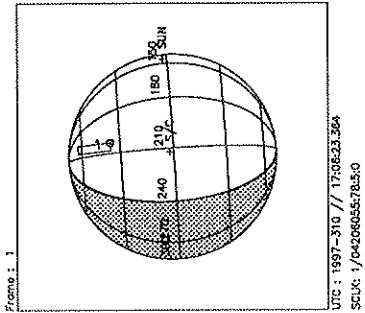
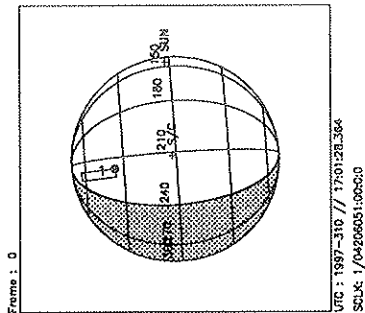
| | | | | | |
|---|--|-----------------------|--------------------------------|----------------------|----------------------|
| Activity ID: | Orbit 11 | OAPEL | EUM15HR_ | SeqNo | 01+ |
| Title | UVS r/a w/ NIMS Europa Obs at Minus 15 | | | Instrument | UVS |
| Requestor | UVS-SWG/W. SWEET X30523 | Team | UVS | Working Group | SWG |
| Time System | CDS | Load ID | 11A | Calendar Date | 11/06/97 |
| | | | | Week | 45 |
| Start | EEE-CDS 00000900:00:0 | | 97-310/05:21:52.000 | | EEE-000/15:10:00.000 |
| End | EEE-CDS 00000876:00:0 | | 97-310/05:46:08.000 | | EEE-000/14:45:44.000 |
| Duration | 00000024:00:0 | | 000/00:24:16.000 | | 000/00:24:16.000 |
| Top Label | 11EUM15HR_01+ | | | | |
| Bottom Label | (ride-along) | | | | |
| Plot Key | UVS | Type | SCI | | |
| CDS Bytes | 38 | Report Options | BOTH | | |
| CDS Source | OAP | Spin State | DUAL | | |
| | | | Scan Platform | No | |
| | | | DMS | No | |
| Observation Objective | | | | | |
| <div style="border: 1px solid black; padding: 5px;"> <p>11EUM15HR_01+: Ride-along with the NIMS 11EUM15HR_01 observation to observe Europa in the 1600Å to 3200Å wavelength regions at phase angles not obtainable from the Earth. Data will supplement and complement the NIMS surface property measurements.</p> <p>Rj = 14.5 UVS configuration: F/F full scans</p> <p>MBTG = (1008 bits/sec) * (450 sec) / 1.5 (compression) = 0.302</p> </div> | | | | | |
| Design Detail | | | | | |
| CDS RIM COMMAND PARAMETERS | | | | | PSID |
| ----- | | | | | ----- |
| 38 000 CMDRS | | | | | (157CM) |
| 004 1 | 34UVS,07,S,N,N,N,S,0, | ON,OFF,OFF, | ON,OFF,NOOVR,1,00,9C,00,00 | | |
| 012 9 | 34UVS,C1,F,N,N,N,S,0, | OFF,OFF, | ON,OFF,OFF,NOOVR,1,2C,05,00,00 | | |



Start UTC_TIME : 1997-310 // 05:24:49.056
End UTC_TIME : 1997-310 // 05:46:03.055
Start SCLK : 1/04205362:00:0:0
Delta Time between FOV : 159.0000
FOVs : F Channel(0.1x0.4), N/G Channel(0.1x1.0)

Target Body : EUROPA
Target Ra/Dec : 262.04 / -24.63 Deg
S/C to Body Center : 390399.7 Km (249.45667 Re)
Z-axis Pointing (Ra / Dec) : 137.25 / 19.00 Deg

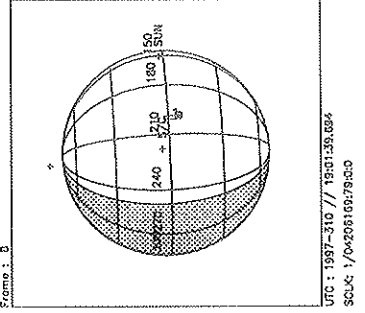
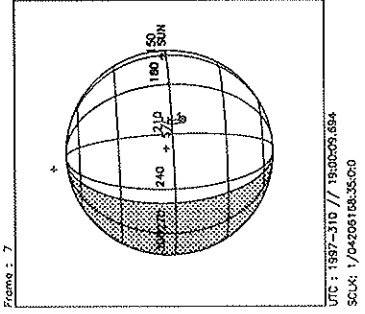
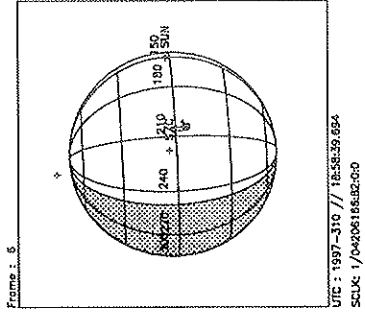
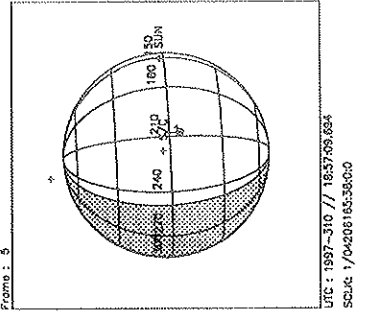
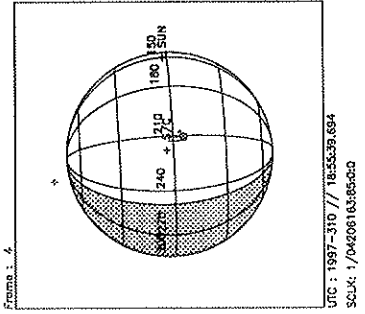
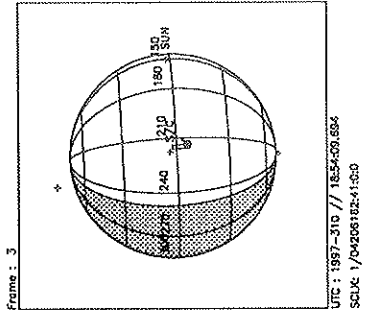
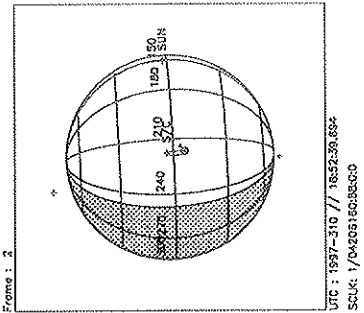
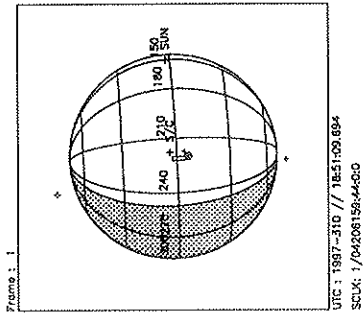
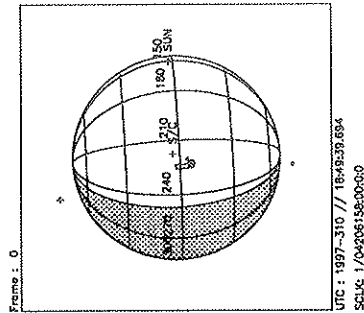
| | | | | | |
|--|------|--------------------------|--|-------------------------------|--|
| Activity ID: Orbit 11 | | OAPEL EUEUDISK | | SeqNo 01- | |
| Title | | UVS Europa disk-resolved | | Instrument UVS | |
| Requestor | | UVS-SWG/W. SWEET X30523 | | Team UVS | |
| | | | | Working Group SWG | |
| Time System CDS | | Load ID 11A | | Calendar Date 11/06/97 | |
| | | | | Week 45 | |
| Start | | EEE-CDS 00000212:00:0 | | 97-310/16:57:31.067 | |
| | | | | EEE-000/03:34:21.333 | |
| End | | EEE-CDS 00000169:00:0 | | 97-310/17:40:59.734 | |
| | | | | EEE-000/02:50:52.666 | |
| Duration | | 00000043:00:0 | | 000/00:43:28.667 | |
| | | | | 000/00:43:28.667 | |
| Top Label | | 11EUEUDISK01- | | | |
| Bottom Label | | (real-time) | | | |
| Plot Key | | UVS | | Type SCI | |
| CDS Bytes | | 571 | | Report Options BOTH | |
| | | | | Scan Platform Yes | |
| CDS Source | | OAP | | Spin State DUAL | |
| | | | | DMS No | |
| Observation Objective | | | | | |
| <div style="display: flex;"> <div style="border: 1px solid black; width: 200px; height: 150px; margin-right: 10px;"></div> <div> <p>11EUEUDISK01- observation. Real-time disk-resolved Europa observation. 3 rims per position.</p> <p>UVS configuration: F/F full scans Rj = 10.2</p> <p>MBTG = 10 flushes * 17712 bits/flush = 0.177</p> </div> </div> | | | | | |
| Design Detail | | | | | |
| CDS RIM COMMAND PARAMETERS | | | | PSID | |
| 0 | 000 | COMMENT | UVS RIM 0 | (384CJ) | |
| 28 | 003+ | UVFLUSH | DISCRD, UVS | (349CS) | |
| 38 | 003 | CMDRS | | (157CN) | |
| | 004 | | 1 34UVS, 07, S, N, N, N, S, 0, ON, OFF, OFF, ON, OFF, NOOVR, 1, 00, 9C, 00, 00 | (165CL) | |
| | 051 | | 48 34UVS, C1, F, N, N, N, S, 0, OFF, OFF, ON, OFF, OFF, NOOVR, 1, 2C, 05, 00, 00 | (349CT) | |
| 54 | 004 | TARGET | with TMC on body | (116CP) | |
| 28 | 006+ | UVFLUSH | PACKET, UVS | (349CU) | |
| 19 | 007 | SUB-TARGET | | (116CQ) | |
| 28 | 010+ | UVFLUSH | PACKET, UVS | (349CV) | |
| 19 | 011 | SUB-TARGET | | (116CR) | |
| 28 | 018+ | UVFLUSH | PACKET, UVS | (349CW) | |
| 19 | 019 | SUB-TARGET | | (116CS) | |
| 28 | 022+ | UVFLUSH | PACKET, UVS | (349CX) | |
| 19 | 023 | SUB-TARGET | | (116CT) | |
| 28 | 026+ | UVFLUSH | PACKET, UVS | (349CY) | |
| 19 | 027 | SUB-TARGET | | (116CU) | |
| 28 | 030+ | UVFLUSH | PACKET, UVS | (349CZ) | |



Start UTC_TIME : 1997-310 // 17:01:28.364
End UTC_TIME : 1997-310 // 17:40:54.363
Start SCLK : 1/04206051:00:0:0
Delta Time between FOV : 295.0000
FOVs : F Channel(0.1x0.4), N/G Channel(0.1x1.0)

Target Body : EUROPA
Target Ra/Dec : 258.65/-25.34 Deg
S/C to Body Center : 72000.39 Km (46.006641 Re)
Z-axis Pointing (Ra / Dec) : 137.25 / 19.00 Deg

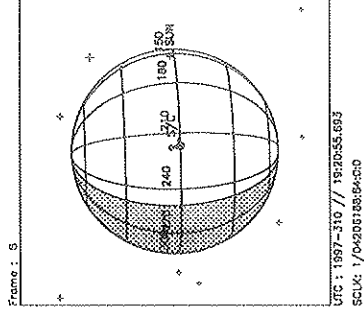
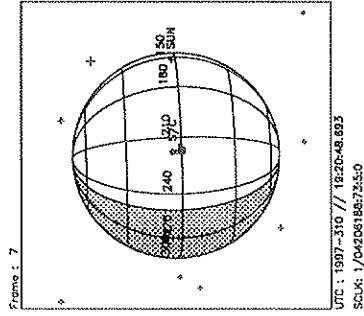
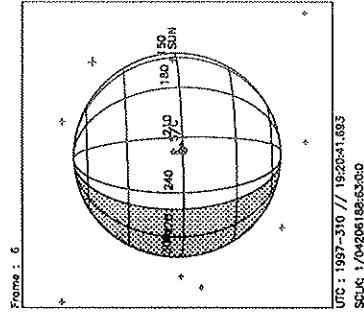
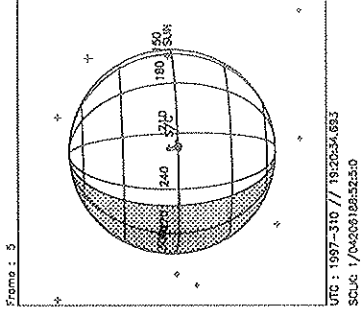
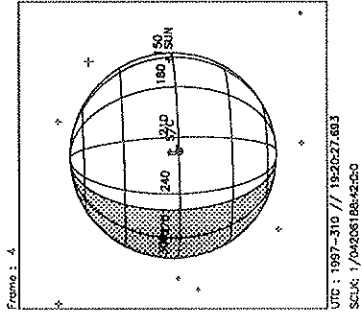
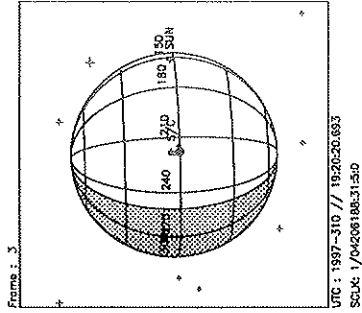
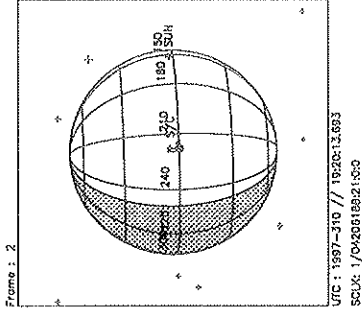
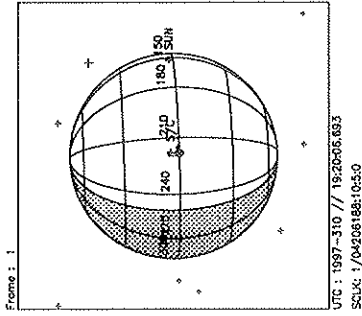
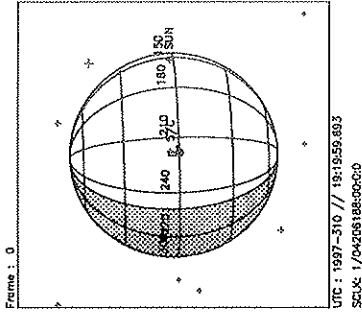
| | | | | | |
|--|------------------------------------|--------------------------|---------------------|--------------------------------|----------------------|
| Activity ID: Orbit 11 | | OAPEL EUDRKLIT | | SeqNo 01+ | |
| Title | UVS r/a w/ NIMS Europa Dark Mosaic | | | Instrument | UVS |
| Requestor | UVS-SWG/W. SWEET X30523 | Team | UVS | Working Group | SWG |
| Time System | CDS | Load ID | 11A | Calendar Date | 11/06/97 |
| | | | | Week | 45 |
| Start | EEE-CDS 00000102:00:0 | | 97-310/18:48:44.000 | | EEE-000/01:43:08.000 |
| End | EEE-CDS 00000088:00:0 | | 97-310/19:02:53.334 | | EEE-000/01:28:58.666 |
| Duration | 00000014:00:0 | | 000/00:14:09.334 | | 000/00:14:09.334 |
| Top Label | 11EUDRKLIT01+ | | | | |
| Bottom Label | (ride-along) | | | | |
| Plot Key | UVS | Type | SCI | | |
| CDS Bytes | 38 | Report Options | BOTH | Scan Platform | No |
| CDS Source | OAP | Spin State | DUAL | DMS | No |
| Observation Objective | | | | | |
| <div style="border: 1px solid black; padding: 5px;"> <p>11EUDRKLIT01+: Ride-along with the NIMS 11EUDRKLIT01 observation to observe crater on the lit side of Europa in the 1600Å to 3200Å wavelength regions at phase angles not obtainable from the Earth. Data will supplement and complement the NIMS surface property measurements.</p> <p>Rj = 9.7 UVS configuration: F/F full scans</p> <p>MBTG = (1008 bits/sec) * (750 sec) * 0.3 (compression) = 0.227</p> </div> | | | | | |
| Design Detail | | | | | |
| CDS RIM | COMMAND | PARAMETERS | PSID | | |
| 38 | 000 | CMDRS | {157C0} | | |
| | 001 | 1 34UVS,07,S,N,N,N,S,0, | ON,OFF,OFF, | ON,OFF,NOOVR,1,00,9C,00,00 | |
| | 013 | 13 34UVS,C1,F,N,N,N,S,0, | OFF,OFF, | ON,OFF,OFF,NOOVR,1,2C,05,00,00 | |



Start UTC_TIME : 1997-310 // 18:49:39.694
End UTC_TIME : 1997-310 // 19:01:47.693
Start SCLK : 1/04206158:00:00
Delta Time between FOV : 90.00000
FOVs : F Channel(0.1x0.4), N/G Channel(0.1x1.0)

Target Body : EUROPA
Target Ra/Dec : 260.95/-26.81 Deg
S/C to Body Center : 34915.57 Km (22.310270 Re)
Z-axis Pointing (Ra / Dec) : 137.25 / 19.00 Deg

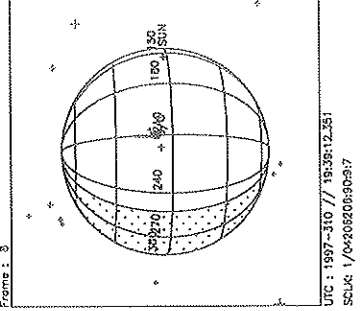
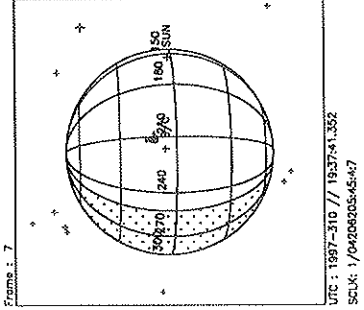
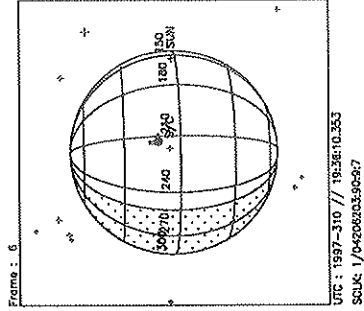
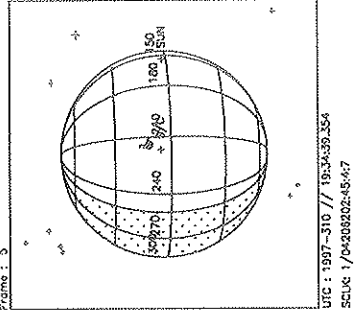
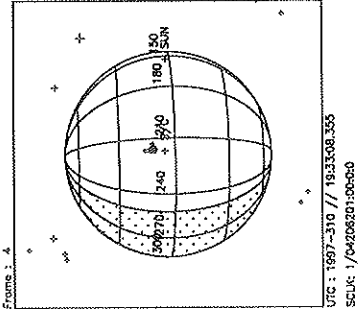
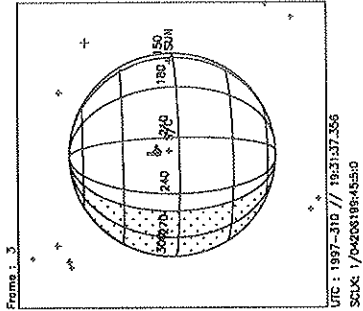
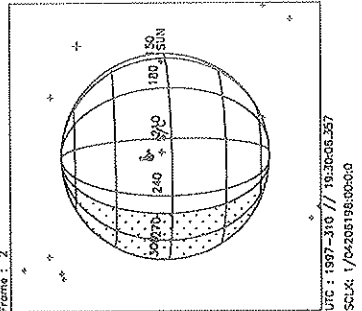
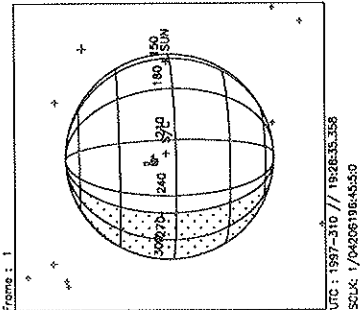
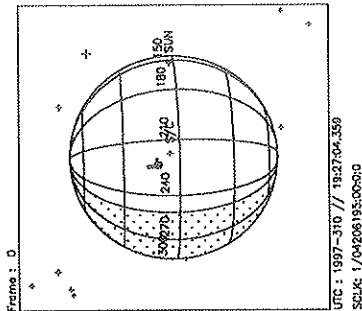
| | | | | | |
|------------------------------------|--|-----------------------|---------------------|----------------------|--|
| Activity ID: Orbit 11 | | OAPEL EUEURORT | | SeqNo 01+ | |
| Title | UVS r/a w/ NIMS Europa Real-Time Obs. | | | Instrument | UVS |
| Requestor | UVS-SWG/W. SWEET X30523 | Team | UVS | Working Group | SWG |
| Time System | CDS | Load ID | 11A | Calendar Date | 11/06/97 Week 45 |
| Start | EEE-CDS 00000075:00:0 | | 97-310/19:16:02.000 | | EEE-000/01:15:50.000 |
| End | EEE-CDS 00000070:00:0 | | 97-310/19:21:05.334 | | EEE-000/01:10:46.666 |
| Duration | 00000005:00:0 | | 000/00:05:03.334 | | 000/00:05:03.334 |
| Top Label | 11EUEURORT01+ | | | | |
| Bottom Label | (real-time) | | | | |
| Plot Key | UVS | Type | SCI | | |
| CDS Bytes | 94 | Report Options | BOTH | Scan Platform | Yes |
| CDS Source | OAP | Spin State | DUAL | DMS | No |
| Observation Objective | | | | | |
| | 11EUEURORT01+: Ride-along with the NIMS 11EUEURORT01 observation to observe Europa in the 1600Å to 3200Å wavelength regions at phase angles not obtainable from the Earth. Data will supplement and complement the NIMS surface property measurements. Real-time. | | | | |
| | UVS configuration: F/F full scans Rj = 19.6 | | | | |
| | MBTG = 1 flush * 17712 bits/flush = 0.018 | | | | |
| Design Detail | | | | | |
| CDS RIM COMMAND PARAMETERS | | | | | PSID |
| 28 001+UVFLUSH DISCRD, UVS | | | | | (349DF) |
| 38 000 CMDRS | | | | | (157CP) |
| 001 1 34UVS, 07, S, N, N, N, S, 0, | ON, OFF, OFF, | | | | ON, OFF, NOOVR, 1, 00, 9C, 00, 00 |
| 005 5 34UVS, C1, F, N, N, N, S, 0, | OFF, OFF, | | | | ON, OFF, OFF, NOOVR, 1, 2C, 05, 00, 00 |
| 28 004+UVFLUSH PACKET, UVS | | | | | (349DG) |



Start UTC_TIME : 1997-310 // 19:19:59.693
End UTC_TIME : 1997-310 // 19:21:00.359
Start SCLK : 1/04206188:00:00
Delta time between FOV : 7.000000
FOVs : F Channel(0.1x0.4), N/G Channel(0.1x1.0)

Target Body : EUROPA
Target Ra/Dec : 263.36 / -27.97 Deg
S/C to Body Center : 24670.35 Km (15.763803 Re)
Z-axis Pointing (Ra / Dec) : 137.25 / 19.00 Deg

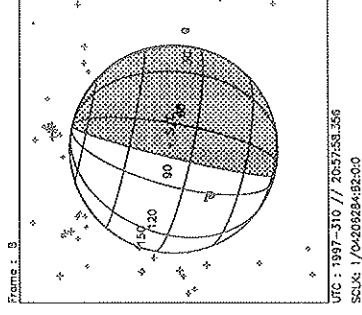
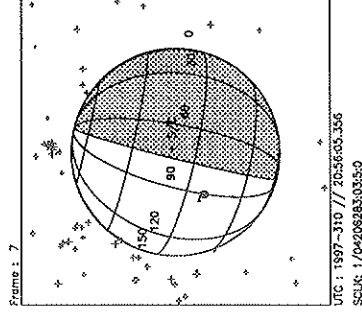
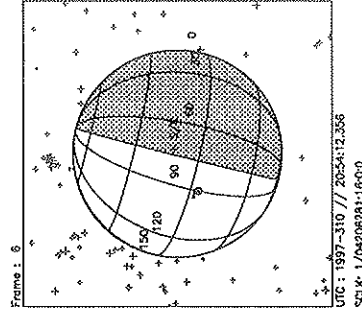
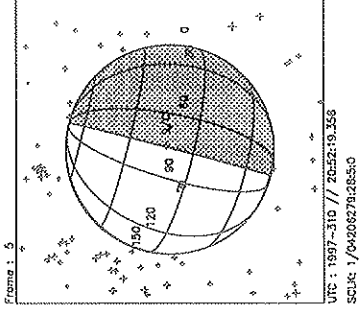
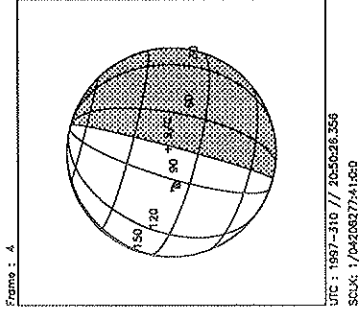
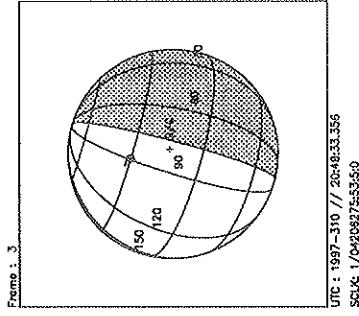
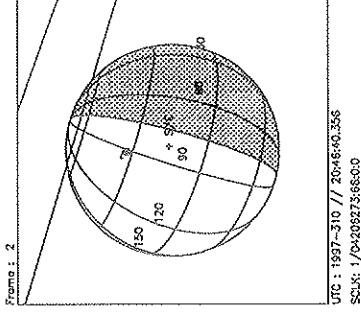
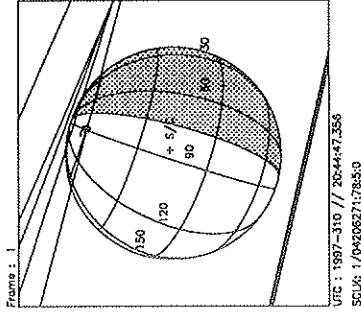
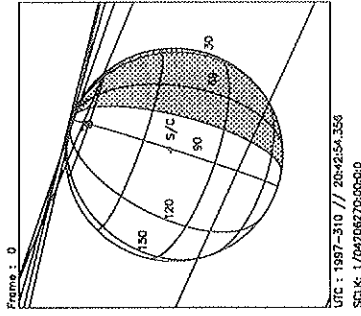
| | | | | | |
|--|--|-----------------------|--|----------------------|----------------------|
| Activity ID: | Orbit 11 | OAPEL | EUCYCLOD | SeqNo | 01+ |
| Title | UVS r/a w/ NIMS Europa Cyclodial Observa | | | Instrument | UVS |
| Requestor | UVS-SWG/W. SWEET X30523 | Team | UVS | Working Group | SWG |
| Time System | CDS | Load ID | 11A | Calendar Date | 11/06/97 |
| | | | | Week | 45 |
| Start | EEE-CDS 00000065:00:0 | | 97-310/19:26:08.667 | | EEE-000/01:05:43.333 |
| End | EEE-CDS 00000048:00:0 | | 97-310/19:43:20.000 | | EEE-000/00:48:32.000 |
| Duration | 00000017:00:0 | | 000/00:17:11.333 | | 000/00:17:11.333 |
| Top Label | 11EUCYCLOD01+ | | | | |
| Bottom Label | (ride-along) | | | | |
| Plot Key | UVS | Type | SCI | | |
| CDS Bytes | 38 | Report Options | BOTH | | |
| CDS Source | OAP | Spin State | DUAL | | |
| | | | Scan Platform | No | |
| | | | DMS | No | |
| Observation Objective | | | | | |
| <div style="border: 1px solid black; padding: 5px;"> <p>11EUCYCLOD01+: Ride-along with the NIMS 11EUCYCLOD01 observation to observe Europa in the 1600Å to 3200Å wavelength regions at phase angles not obtainable from the Earth. Data will supplement and complement the NIMS surface property measurements.</p> <p>Rj = 9.5 UVS configuration: F/F full scans MBTG = (1008 bits/sec) * (720 sec) * 0.3 (compression) = 0.218</p> </div> | | | | | |
| Design Detail | | | | | |
| CDS | RIM | COMMAND | PARAMETERS | PSID | |
| 38 | 000 | CMDRS | | (157CQ) | |
| | 001 | 1 | 34UVS,07,S,N,N,N,S,0, ON,OFF,OFF, ON,OFF,NOOVR,1,00,9C,00,00 | | |
| | 013 | 13 | 34UVS,C1,F,N,N,N,S,0,OFF,OFF, ON,OFF,OFF,NOOVR,1,2C,05,00,00 | | |



Start UTC_TIME : 1997-310 // 19:27:04.359
End UTC_TIME : 1997-310 // 19:39:12.359
Start SCLK : 1/04206195:00:0:0
Delta Time between FOV : 90.99900
FOVs : F Channel(0.1x0.4), N/G Channel(0.1x1.0)

Target Body : EUROPA
Target Ra/Dec : 264.28 / -28.39 Deg
S/C to Body Center : 22292.42 Km (14.244356 Re)
Z-axis Pointing (Ra / Dec) : 137.25 / 19.00 Deg

| | | | | | |
|--|-------------------------|----------------|---------------------|---------------|----------------------|
| Activity ID: Orbit 11 | | OAPEL EULEAD_ | | SeqNo 01- | |
| Title | UVS Leading Hemisphere | | | Instrument | UVS |
| Requestor | UVS-SWG/W. SWEET X30523 | Team | UVS | Working Group | SWG |
| Time System | CDS | Load ID | 11A | Calendar Date | 11/06/97 |
| | | | | Week | 45 |
| Start | EEE+CDS 00000010:00:0 | | 97-310/20:41:58.666 | | EEE+000/00:10:06.666 |
| End | EEE+CDS 00000026:00:0 | | 97-310/20:58:09.333 | | EEE+000/00:26:17.333 |
| Duration | 00000016:00:0 | | 000/00:16:10.667 | | 000/00:16:10.667 |
| Top Label | 11EULEAD_01- | | | | |
| Bottom Label | (real-time) | | | | |
| Plot Key | UVS | Type | SCI | | |
| CDS Bytes | 269 | Report Options | BOTH | Scan Platform | Yes |
| CDS Source | OAP | Spin State | DUAL | DMS | No |
| Observation Objective | | | | | |
| <div style="border: 1px solid black; padding: 5px; width: 200px; height: 150px; display: inline-block; vertical-align: top;"> </div> <p>11EULEAD_01- real-time observation. Observe Europa's leading hemisphere at 4 latitudes, +60, +30, 0, -30. Target with TMC, one CSMOS. NIMS will ride-along.</p> <p>UVS configuration: F/F full scans Rj = 9.2</p> <p>MBTG = 4 flushes * 17712 bits/flush = 0.071</p> | | | | | |
| Design Detail | | | | | |
| CDS RIM COMMAND PARAMETERS | | | | | PSID |
| 0 000 COMMENT UVS RIM 0 | | | | | (384CK) |
| 28 000+UVFLUSH DISCRD, UVS | | | | | (349DH) |
| 38 000 CMDRS | | | | | (157CR) |
| 001 1 34UVS, 07, S, N, N, N, S, 0, ON, OFF, OFF, ON, OFF, NOOVR, 1, 00, 9C, 00, 00 | | | | | |
| 016 16 34UVS, C1, F, N, N, N, S, 0, OFF, OFF, ON, OFF, OFF, NOOVR, 1, 2C, 05, 00, 00 | | | | | |
| 54 001 TARGET with TMC | | | | | (165CM) |
| 37 001 CSMOS (3-position, 3-slews) | | | | | (117CA) |
| 28 003+UVFLUSH PACKET, UVS | | | | | (349CQ) |
| 28 007+UVFLUSH PACKET, UVS | | | | | (349DI) |
| 28 011+UVFLUSH PACKET, UVS | | | | | (349DJ) |
| 28 015+UVFLUSH PACKET, UVS | | | | | (349DK) |



Start UTC_TIME : 1997-310 // 20:42:54.356
End UTC_TIME : 1997-310 // 20:58:04.356
Start SCLK : 1/04206270:00:00
Delta Time between FOV : 113.0000
FOVs : F Channel(0.1x0.4), N/G Channel(0.1x1.0)

Target Body : EUROPA
Target Ra/Dec : 40.37 / 0.05 Deg
S/C to Body Center : 5285.934 Km (3.3775938 Re)
Z-axis Pointing (Ra / Dec) : 137.25 / 19.00 Deg

| | | |
|------------------------------|-------------------------|--------------------------|
| Activity ID: Orbit 11 | OAPEL GUPHAS00 | SeqNo 01- |
| Title | UVS Ganymede Phase 0 | Instrument UVS |
| Requestor | UVS-SWG/W. SWEET X30523 | Team UVS |
| | | Working Group SWG |

| | | | |
|------------------------|-----------------------|-------------------------------|----------------------|
| Time System CDS | Load ID 11A | Calendar Date 11/07/97 | Week 45 |
| Start | JEE+CDS 00000229:00:0 | 97-311/04:33:09.332 | JEE+000/03:51:32.666 |
| End | JEE+CDS 00000273:00:0 | 97-311/05:17:38.666 | JEE+000/04:36:02.000 |
| Duration | 00000044:00:0 | 000/00:44:29.334 | 000/00:44:29.334 |

| | | | |
|---------------------|---------------|-----------------------|------|
| Top Label | 11GUPHAS0001- | | |
| Bottom Label | (real-time) | | |
| Plot Key | UVS | Type | SCI |
| CDS Bytes | 148 | Report Options | BOTH |
| CDS Source | OAP | Spin State | DUAL |
| | | Scan Platform | Yes |
| | | DMS | No |

Observation Objective

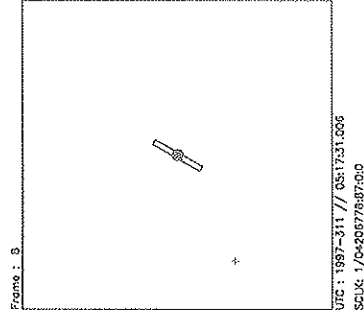
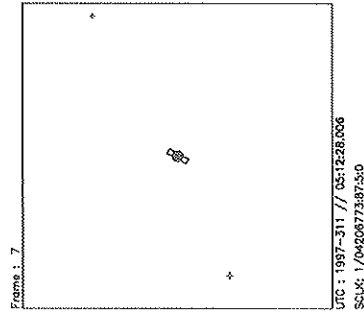
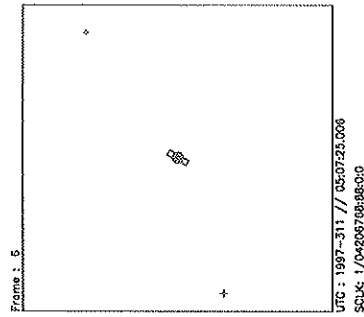
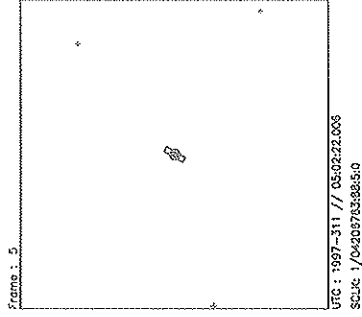
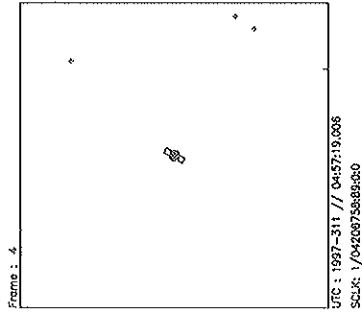
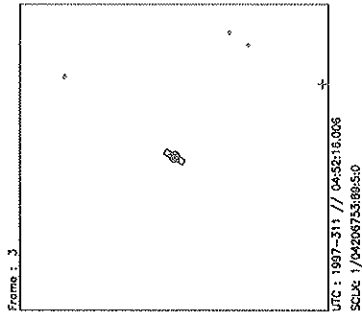
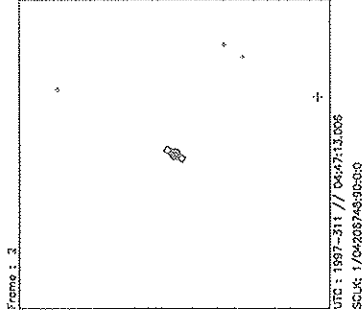
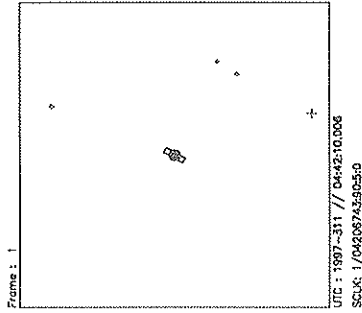
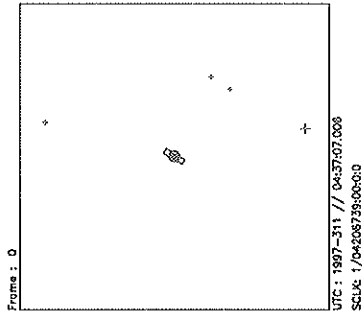
11GUPHAS0001- observation. Observe Ganymede at ~342' longitude and ~0' phase angle. Target with TMC.

UVS configuration: F/F full scans
Rj = 9.3

MBTG = 1 flush * 17712 bits/flush = 0.018

Design Detail

| | |
|--|---------|
| CDS RIM COMMAND PARAMETERS | PSID |
| --- | --- |
| 0 000 COMMENT UVS RIM 0 | (384CM) |
| 28 003+UVFLUSH DISCRD, UVS | (349DN) |
| 38 003 CMDRS | (157CT) |
| 004 1 34UVS, 07, S, N, N, N, S, 0, ON, OFF, OFF, ON, OFF, NOOVR, 1, 00, 9C, 00, 00 | |
| 044 41 34UVS, C1, F, N, N, N, S, 0, OFF, OFF, ON, OFF, OFF, NOOVR, 1, 2C, 05, 00, 00 | |
| 54 004 TARGET with TMC on body | (165CO) |
| 28 043+UVFLUSH PACKET, UVS | (349DO) |



Start UTC_TIME : 1997-311 // 04:37:07.006
End UTC_TIME : 1997-311 // 05:17:33.671
Start SCLK : 1/04206739:00:00
Delta Time between FOV : 303.0000
FOVs : F Channel(0.1x0.4), N/G Channel(0.1x1.0)

Target Body : GANYMEDE
Target Ra/Dec : 326.60 / -13.96 Deg
S/C to Body Center : 1570610. Km (596.28334 Rg)
Z-axis Pointing (Ra / Dec) : 157.25 / 19.00 Deg

| | | |
|------------------------------|------------------------------------|--------------------------|
| Activity ID: Orbit 11 | OAPEL GUGADARK | SeqNo 01- |
| Title | UVS Ganymede Eclipse observation 1 | Instrument UVS |
| Requestor | UVS-SWG/W. SWEET X30523 | Team UVS |
| | | Working Group SWG |

| | | | |
|------------------------|-----------------------|-------------------------------|----------------------|
| Time System CDS | Load ID 11A | Calendar Date 11/07/97 | Week 45 |
| Start | JEE+CDS 00000752:00:0 | 97-311/13:21:57.999 | JEE+000/12:40:21.333 |
| End | JEE+CDS 00000779:00:0 | 97-311/13:49:15.999 | JEE+000/13:07:39.333 |
| Duration | 00000027:00:0 | 000/00:27:18.000 | 000/00:27:18.000 |

| | | | |
|---------------------|---------------|-----------------------|------|
| Top Label | 11GUGADARK01- | | |
| Bottom Label | (real-time) | | |
| Plot Key | UVS | Type | SCI |
| CDS Bytes | 148 | Report Options | BOTH |
| | | Scan Platform | Yes |
| CDS Source | OAP | Spin State | DUAL |
| | | DMS | No |

Observation Objective

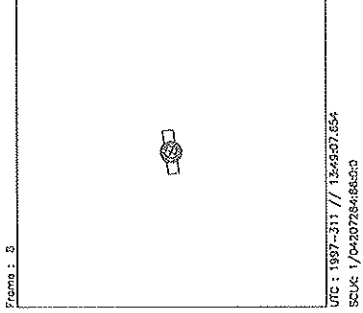
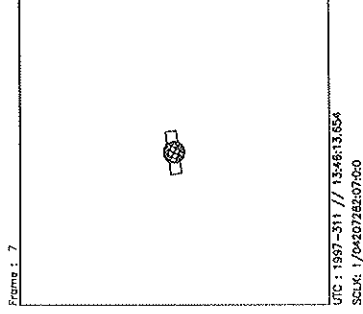
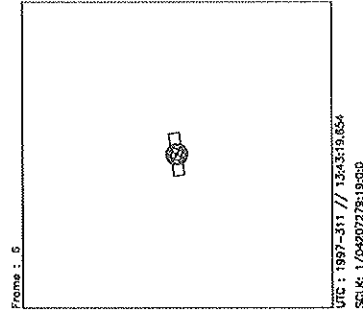
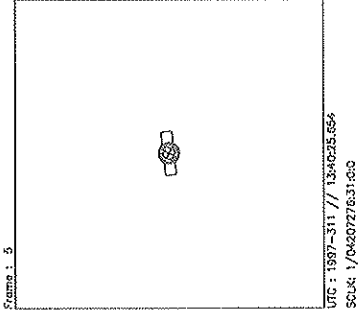
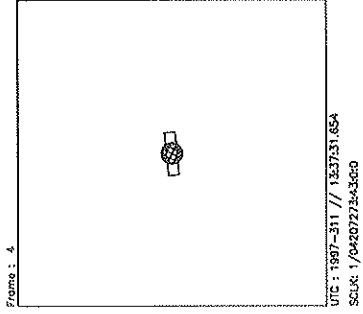
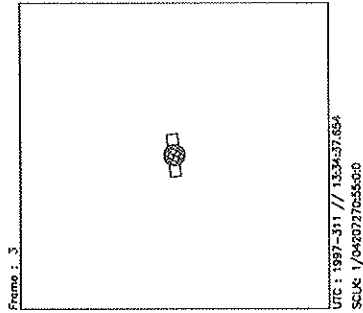
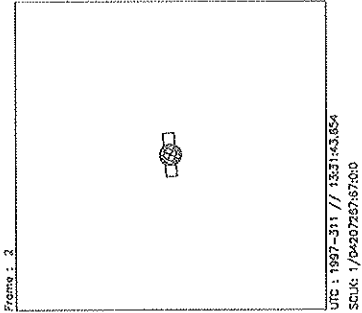
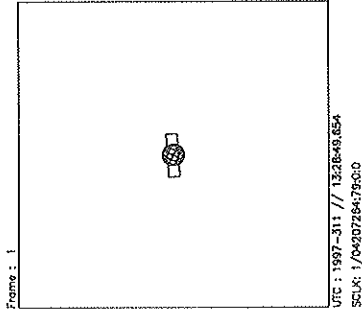
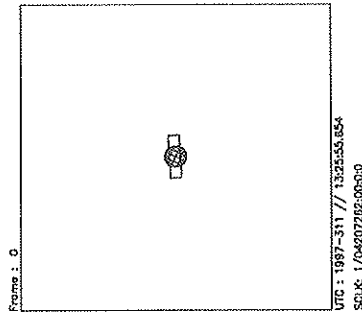
11GUGADARK01- observation. Observe Ganymede in total eclipse. Observe abundance of OH. Target with TMC.

UVS configuration: F/F 33-step 3090Å mini-scans
Rj = 11.5

MBTG = 1 flush * 17712 bits/flush = 0.018

Design Detail

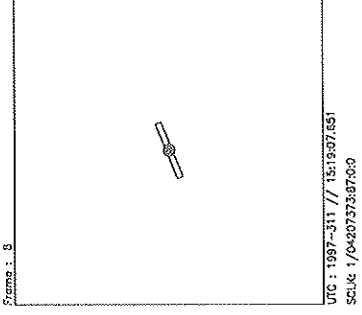
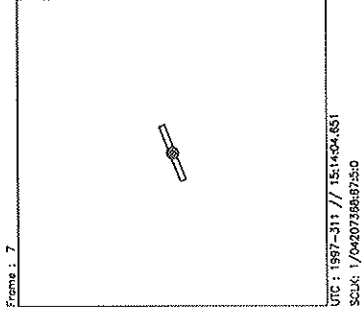
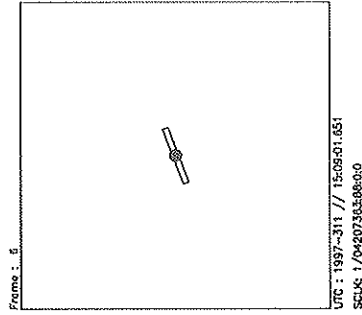
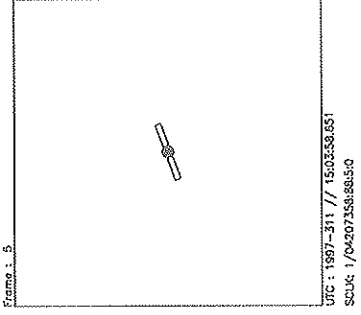
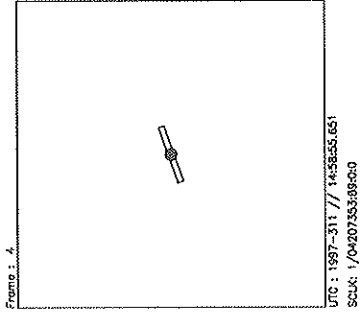
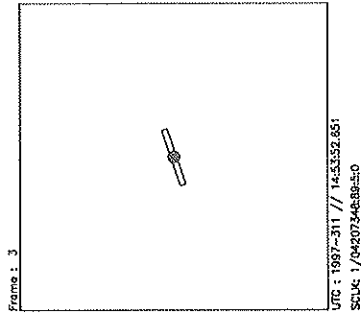
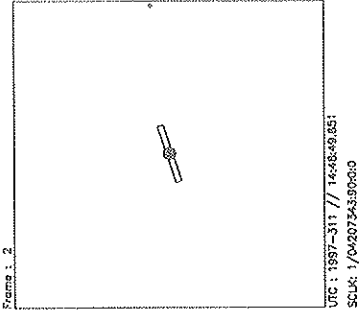
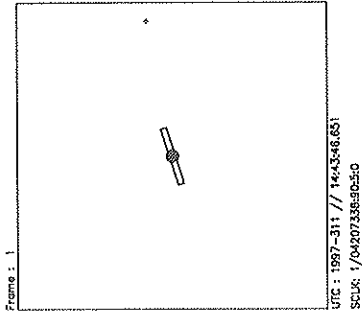
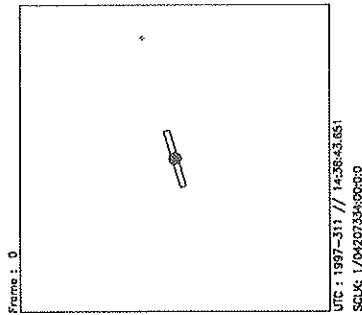
| CDS | RIM | COMMAND | PARAMETERS | PSID |
|-----|-------------|------------|--|---------|
| 0 | 000 | COMMENT | UVS RIM 0 | (384CN) |
| 28 | 003+UVFLUSH | DISCRD,UVS | | (349DP) |
| 38 | 003 | CMDRS | | (157CU) |
| | 004 | 1 | 34UVS,D7,F,N,N,N,S,0, ON,OFF,OFF, ON,OFF,NOOVR,1,D0,5D,00,00 | |
| | 027 | 24 | 34UVS,C1,F,N,N,N,S,0,OFF,OFF, ON,OFF,OFF,NOOVR,1,2C,05,00,00 | |
| 54 | 004 | TARGET | with TMC on body | (165CP) |
| 28 | 026+UVFLUSH | PACKET,UVS | | (349DQ) |



Start UTC_TIME : 1997-311 // 13:25:55.654
End UTC_TIME : 1997-311 // 13:49:10.986
Start SCLK : 1/04207262:00:00
Delta Time between FOV : 174.0000
FOVs : F Channel(0.1x0.4), N/G Channel(0.1x1.0)

Target Body : CANYMEDE
Target Ra/Dec : 355.19 / -1.46 Deg
S/C to Body Center : 1546495. Km (587.12781 Rg)
Z-axis Pointing (Ra / Dec) : 137.25 / 19.00 Deg

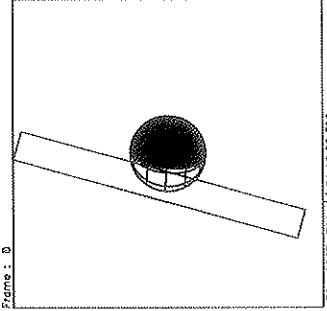
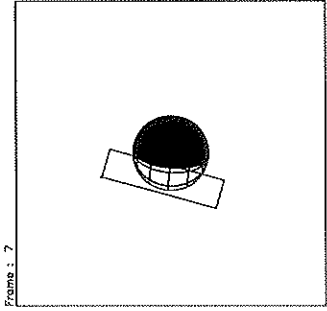
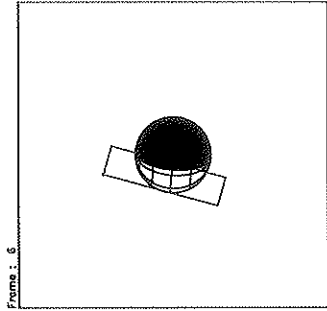
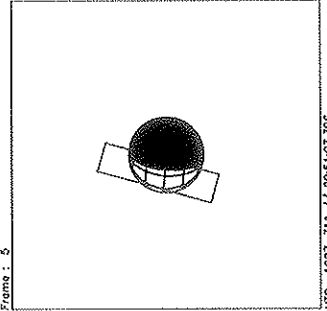
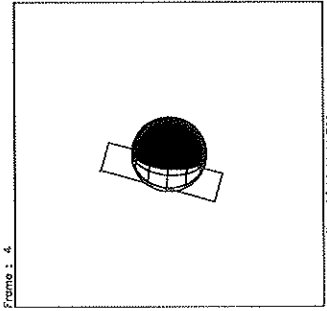
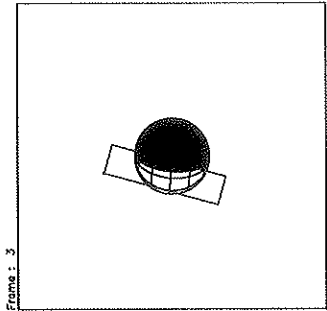
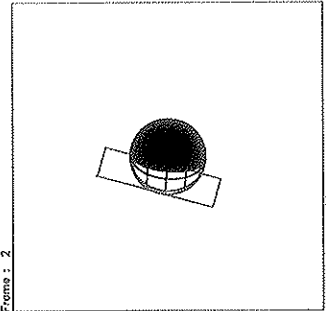
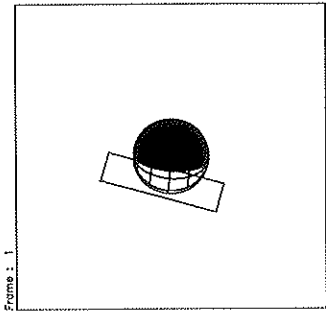
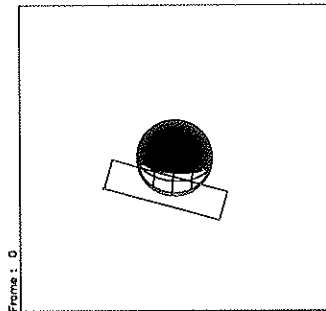
| | | | | | |
|---|-----|------------------------------------|-------------------------------------|--------------------------------|--|
| Activity ID: Orbit 11 | | OAPEL GUGADARK | | SeqNo 02- | |
| Title | | UVS Ganymede Eclipse observation 2 | | Instrument UVS | |
| Requestor | | UVS-SWG/W. SWEET X30523 | | Team UVS | |
| | | | | Working Group SWG | |
| Time System CDS | | Load ID 11A | | Calendar Date 11/07/97 | |
| | | | | Week 45 | |
| Start | | JEE+CDS 00000824:00:0 | | 97-311/14:34:45.999 | |
| | | | | JEE+000/13:53:09.333 | |
| End | | JEE+CDS 00000868:00:0 | | 97-311/15:19:15.332 | |
| | | | | JEE+000/14:37:38.666 | |
| Duration | | 00000044:00:0 | | 000/00:44:29.333 | |
| | | | | 000/00:44:29.333 | |
| Top Label | | 11GUGADARK02- | | | |
| Bottom Label | | (real-time) | | | |
| Plot Key | | UVS | | Type SCI | |
| CDS Bytes | | 120 | | Report Options BOTH | |
| | | | | Scan Platform Yes | |
| CDS Source | | OAP | | Spin State DUAL | |
| | | | | DMS No | |
| Observation Objective | | | | | |
| <div style="display: flex; align-items: flex-start;"> <div style="border: 1px solid black; width: 200px; height: 150px; margin-right: 10px;"></div> <div> <p>11GUGADARK02- observation. Observe Ganymede in total eclipse. Target with TMC.</p> <p>UVS configuration: 1356-1356Å G/G 16-step mini-scan Rj = 12.3</p> <p>MBTG = 1 flush * 17712 bits/flush = 0.018</p> </div> </div> | | | | | |
| Design Detail | | | | | |
| CDS RIM COMMAND PARAMETERS | | | | PSID | |
| ----- | | | | ----- | |
| 0 | 000 | COMMENT | UVS RIM 0 | (384C0) | |
| 0 | 003 | +UVFLUSH | DISCRD,UVS <--Omitted to save bytes | | |
| 38 | 003 | CMDRS | | (157CV) | |
| | 004 | 1 | 34UVS,D1,F,N,N,N,S,0,OFF,OFF, | ON, ON,OFF,NOOVR,1,B6,45,00,00 | |
| | 044 | 41 | 34UVS,C1,F,N,N,N,S,0,OFF,OFF, | ON,OFF,OFF,NOOVR,1,2C,05,00,00 | |
| 54 | 004 | TARGET | with TMC on body | (165CQ) | |
| 28 | 043 | +UVFLUSH | PACKET,UVS | (349DS) | |



Start UTC_TIME : 1997-311 // 14:38:43.651
End UTC_TIME : 1997-311 // 15:19:10.316
Start SCLK : 1/04207334:00:00
Delta Time between FOV : 303.0000
FOVs : F Channel(0.1x0.4), N/G Channel(0.1x1.0)

Target Body : GANYMEDE
Target Ra/Dec : 358.79 / 0.25 Deg
S/C to Body Center : 1556809. Km (591.04361 Rg)
Z-axis Pointing (Ra / Dec) : 137.25 / 19.00 Deg

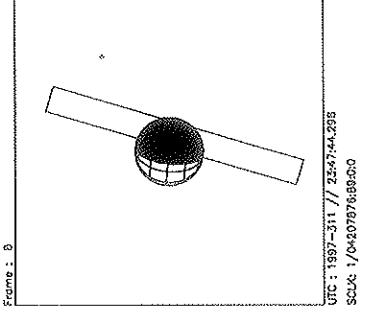
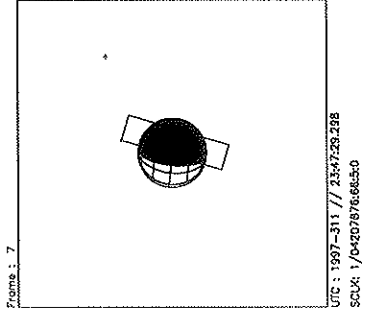
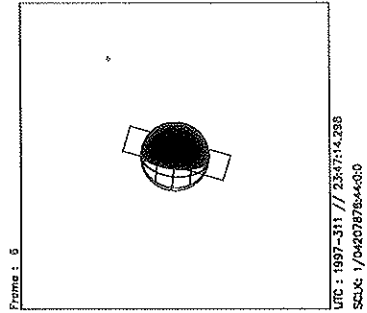
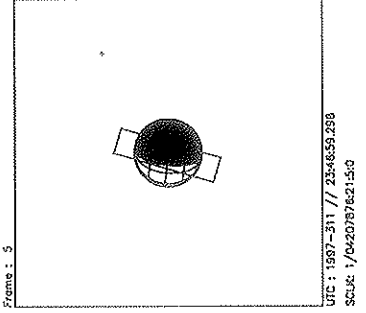
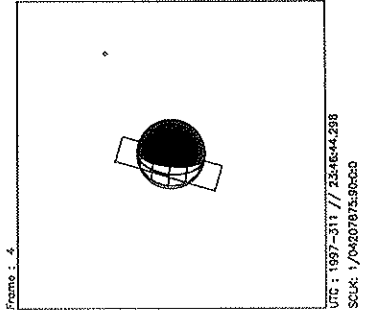
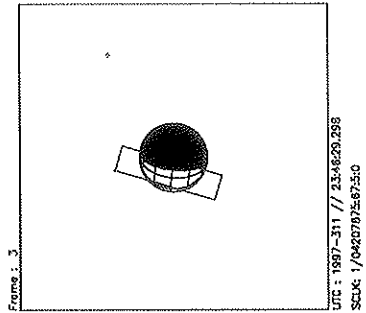
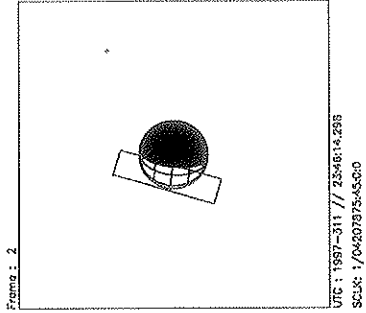
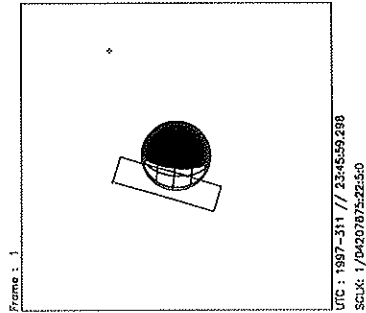
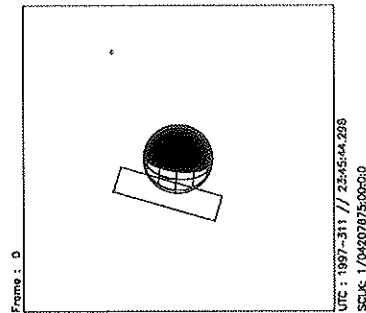
| | | | | | |
|------------------------------|---|-----------------------|--|----------------------|----------------------|
| Activity ID: Orbit 11 | | CAPEL IUPHAS11 | | SeqNo 31- | |
| Title | UVS Io Phase 113 | | | Instrument | UVS |
| Requestor | UVS-SWG/W. SWEET X30523 | Team | UVS | Working Group | SWG |
| Time System | CDS | Load ID | 11A | Calendar Date | 11/07/97 |
| | | Week | | | 45 |
| Start | IEE-CDS 00000205:00:0 | | 97-311/20:18:32.600 | | IEE-000/03:27:16.666 |
| End | IEE-CDS 00000154:00:0 | | 97-311/21:10:06.600 | | IEE-000/02:35:42.666 |
| Duration | 00000051:00:0 | | 000/00:51:34.000 | | 000/00:51:34.000 |
| Top Label | 11IUPHAS1131- | | | | |
| Bottom Label | (real-time) | | | | |
| Plot Key | UVS | Type | SCI | | |
| CDS Bytes | 148 | Report Options | BOTH | Scan Platform | Yes |
| CDS Source | OAP | Spin State | DUAL | DMS | No |
| Observation Objective | | | | | |
| | 11IUPHAS1131- observation. Observe Io at ~112' longitude and ~113' phase angle. | | | | |
| | Target with TMC on lit portion of Io. | | | | |
| | UVS configuration: F/F full scans Rj = 14.5 | | | | |
| | MBTG = 1 flush * 17712 bits/flush = 0.018 | | | | |
| Design Detail | | | | | |
| CDS RIM | COMMAND | PARAMETERS | | PSID | |
| 0 | 000 | COMMENT | UVS RIM 0 | (384CP) | |
| 28 | 000+UVFLUSH | DISCRD,UVS | | (349DT) | |
| 38 | 000 | CMDRS | | (157CW) | |
| | 001 | 1 | 34UVS,07,S,N,N,N,S,0, ON,OFF,OFF, ON,OFF,NOOVR,1,00,9C,00,00 | | |
| | 051 | 51 | 34UVS,C1,F,N,N,N,S,0,OFF,OFF, ON,OFF,OFF,NOOVR,1,2C,05,00,00 | | |
| 54 | 001 | TARGET | with TMC on body | (165CR) | |
| 28 | 050+UVFLUSH | PACKET,UVS | | (349DU) | |



Start UTC_TIME : 1997-311 // 20:19:28.306
End UTC_TIME : 1997-311 // 21:10:01.637
Start SCLK : 1/0420767100000
Delta Time between FOV : 379.0000
FOVs : F Channel(0.1x0.4), N/G Channel(0.1x1.0)

Target Body : IO
Target Ro/Dec : 76.49 / 24.99 Deg
S/C to Body Center : 822592.6 Km (450.89627 Ri)
Z-axis Pointing (Ro / Dec) : 137.25 / 19.00 Deg

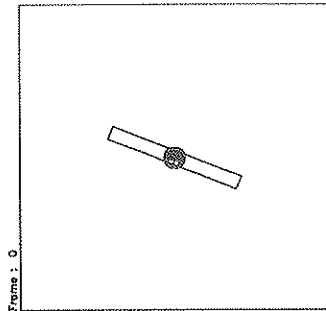
| | | | | | | | | | | | | | | | | | | | | | | | | | |
|--|--|-----------------------|--|----------------------|----------------------|-----|-----|---------|------------|------|----|-----|-------|--|---------|--|-----|---|--|--|--|-----|---|--|--|
| Activity ID: | Orbit 11 | OAPEL | IUHRSPEC | SeqNo | 01+ | | | | | | | | | | | | | | | | | | | | |
| Title | UVS r/a w/ NIMS Io High Spectral Resolut | | | Instrument | UVS | | | | | | | | | | | | | | | | | | | | |
| Requestor | UVS-SWG/W. SWEET X30523 | Team | UVS | Working Group | SWG | | | | | | | | | | | | | | | | | | | | |
| Time System | CDS | Load ID | 11A | Calendar Date | 11/07/97 | | | | | | | | | | | | | | | | | | | | |
| | | | | Week | 45 | | | | | | | | | | | | | | | | | | | | |
| Start | IEE-CDS 00000004:00:0 | | 97-311/23:41:46.600 | | IEE-000/00:04:02.666 | | | | | | | | | | | | | | | | | | | | |
| End | IEE+CDS 00000002:00:0 | | 97-311/23:47:50.599 | | IEE+000/00:02:01.333 | | | | | | | | | | | | | | | | | | | | |
| Duration | 00000006:00:0 | | 000/00:06:03.999 | | 000/00:06:03.999 | | | | | | | | | | | | | | | | | | | | |
| Top Label | 11IUHRSPEC01+ | | | | | | | | | | | | | | | | | | | | | | | | |
| Bottom Label | (ride-along) | | | | | | | | | | | | | | | | | | | | | | | | |
| Plot Key | UVS | Type | SCI | | | | | | | | | | | | | | | | | | | | | | |
| CDS Bytes | 38 | Report Options | BOTH | | | | | | | | | | | | | | | | | | | | | | |
| CDS Source | OAP | Spin State | DUAL | | | | | | | | | | | | | | | | | | | | | | |
| | | | Scan Platform | No | | | | | | | | | | | | | | | | | | | | | |
| | | | DMS | No | | | | | | | | | | | | | | | | | | | | | |
| Observation Objective | | | | | | | | | | | | | | | | | | | | | | | | | |
| <div style="border: 1px solid black; padding: 5px;"> <p>11IUHRSPEC01+: Ride-along with the NIMS 11IUHRSPEC01 observation to observe Io in the 1600Å to 3200Å wavelength regions at phase angles not obtainable from the Earth. Data will supplement and complement the NIMS surface property measurements.</p> <p>Rj = 16.2 UVS configuration: F/F full scans</p> <p>MBTG = (1008 bits/sec) * (180 sec) /1.5 (compression) = 0.121</p> </div> | | | | | | | | | | | | | | | | | | | | | | | | | |
| Design Detail | | | | | | | | | | | | | | | | | | | | | | | | | |
| <table border="0"> <tr> <td>CDS</td> <td>RIM</td> <td>COMMAND</td> <td>PARAMETERS</td> <td>PSID</td> </tr> <tr> <td>38</td> <td>000</td> <td>CMDRS</td> <td></td> <td>{157CX}</td> </tr> <tr> <td></td> <td>001</td> <td>1</td> <td>34UVS,07,S,N,N,N,S,0, ON,OFF,OFF, ON,OFF,NOOVR,1,00,9C,00,00</td> <td></td> </tr> <tr> <td></td> <td>006</td> <td>6</td> <td>34UVS,C1,F,N,N,N,S,0,OFF,OFF, ON,OFF,OFF,NOOVR,1,2C,05,00,00</td> <td></td> </tr> </table> | | | | | | CDS | RIM | COMMAND | PARAMETERS | PSID | 38 | 000 | CMDRS | | {157CX} | | 001 | 1 | 34UVS,07,S,N,N,N,S,0, ON,OFF,OFF, ON,OFF,NOOVR,1,00,9C,00,00 | | | 006 | 6 | 34UVS,C1,F,N,N,N,S,0,OFF,OFF, ON,OFF,OFF,NOOVR,1,2C,05,00,00 | |
| CDS | RIM | COMMAND | PARAMETERS | PSID | | | | | | | | | | | | | | | | | | | | | |
| 38 | 000 | CMDRS | | {157CX} | | | | | | | | | | | | | | | | | | | | | |
| | 001 | 1 | 34UVS,07,S,N,N,N,S,0, ON,OFF,OFF, ON,OFF,NOOVR,1,00,9C,00,00 | | | | | | | | | | | | | | | | | | | | | | |
| | 006 | 6 | 34UVS,C1,F,N,N,N,S,0,OFF,OFF, ON,OFF,OFF,NOOVR,1,2C,05,00,00 | | | | | | | | | | | | | | | | | | | | | | |



Start UTC_TIME : 1997-311 // 23:45:44.298
End UTC_TIME : 1997-311 // 23:47:45.632
Start SCLK : 1/04207875000:0
Delta Time between FOV : 15.00000
FOVs : F Channel(0.1x0.4), N/G Channel(0.1x1.0)

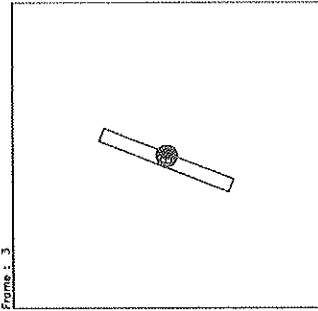
Target Body : IO
Target Ra/Dec : 74.23 / 24.72 Deg
S/C to Body Center : 792739.8 Km (434.53274 Ri)
Z-axis Pointing (Ra / Dec) : 137.25 / 19.00 Deg

| | | | | |
|------------------------------|---|-----------------------|-------------------------------|--|
| Activity ID: | Orbit 11 | OAPEL IUIODARK | SeqNo | 01- |
| Title | UVS Io Eclipse | | Instrument | UVS |
| Requestor | UVS-SWG/W. SWEET X30523 | Team | UVS | Working Group SWG |
| Time System | CDS | Load ID | 11A | Calendar Date 11/08/97 Week 45 |
| Start | IEE+CDS 00000713:00:0 | | 97-312/11:46:44.599 | IEE+000/12:00:55.333 |
| End | IEE+CDS 00000767:00:0 | | 97-312/12:41:20.599 | IEE+000/12:55:31.333 |
| Duration | 00000054:00:0 | | 000/00:54:36.000 | 000/00:54:36.000 |
| Top Label | 11IUIODARK01- | | | |
| Bottom Label | (real-time) | | | |
| Plot Key | UVS | Type | SCI | |
| CDS Bytes | 148 | Report Options | BOTH | Scan Platform Yes |
| CDS Source | OAP | Spin State | DUAL | DMS No |
| Observation Objective | | | | |
| | 11IUIODARK01- observation. Observe Io in eclipse at ~256° longitude and ~100° phase angle. Target with TMC. | | | |
| | UVS configuration: 1356-1479 Å G/G 22-step mini-scans Rj = 21.2 | | | |
| | MBTG = 1 flush * 17712 bits/flush = 0.018 | | | |
| Design Detail | | | | |
| CDS | RIM | COMMAND | PARAMETERS | PSID |
| 0 | 000 | COMMENT | UVS RIM 0 | (384CQ) |
| 28 | 002+UVFLUSH | DISCRD,UVS | | (349DV) |
| 38 | 002 | CMDRS | | (157CY) |
| | 003 | 1 | 34UVS,D3,F,N,N,N,S,0,OFF,OFF, | ON, ON,OFF,NOOVR,1,B3,4D,00,51 |
| | 054 | 52 | 34UVS,C1,F,N,N,N,S,0,OFF,OFF, | ON,OFF,OFF,NOOVR,1,2C,05,00,00 |
| 54 | 003 | TARGET | with TMC on body | (165CS) |
| 28 | 053+UVFLUSH | PACKET,UVS | | (349DW) |



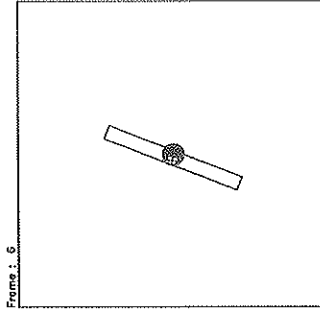
Frame : 0

UTC : 1997-312 // 11:49:41.606
SCLK: 1/04208591000:0



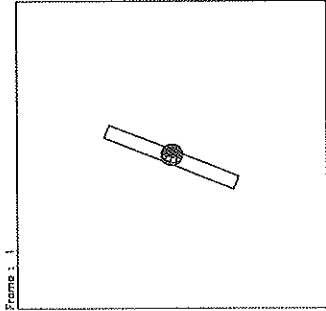
Frame : 3

UTC : 1997-312 // 12:08:59.606
SCLK: 1/04208610080:0



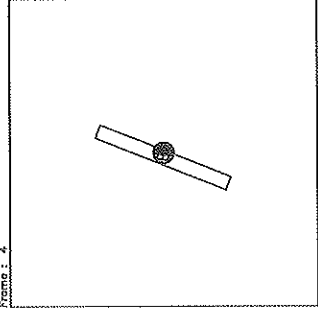
Frame : 6

UTC : 1997-312 // 12:28:17.606
SCLK: 1/04208629160:0



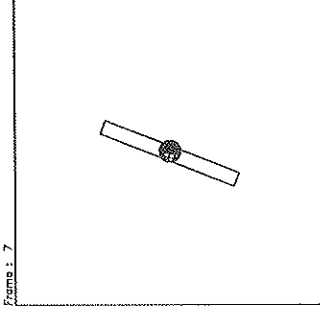
Frame : 1

UTC : 1997-312 // 11:56:07.606
SCLK: 1/04208597330:0



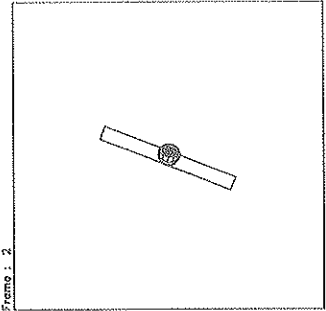
Frame : 4

UTC : 1997-312 // 12:15:25.606
SCLK: 1/04208518041:000



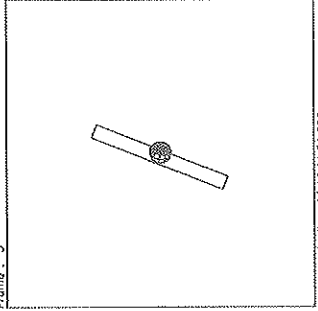
Frame : 7

UTC : 1997-312 // 12:34:43.606
SCLK: 1/04208635049:000



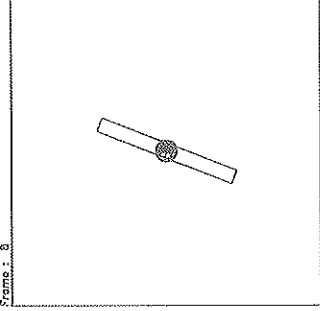
Frame : 2

UTC : 1997-312 // 12:02:33.606
SCLK: 1/04208603860:0



Frame : 5

UTC : 1997-312 // 12:21:51.606
SCLK: 1/0420862270:000



Frame : 8

UTC : 1997-312 // 12:41:09.606
SCLK: 1/04208641820:000

Target Body : IO
 Target Ra/Dec : 62.01 / 23.01 Deg
 S/C to Body Center : 1363318. Km (747.28967 Ri)
 Z-axis Pointing (Ra / Dec) : 137.25 / 19.00 Deg

Start UTC.TIME : 1997-312 // 11:49:41.606
 End UTC.TIME : 1997-312 // 12:41:15.604
 Start SCLK : 1/04208591000:0
 Delta Time between FOV : 386.0000
 FOVs : F Channel(0.1x0.4), N/G Channel(0.1x1.0)