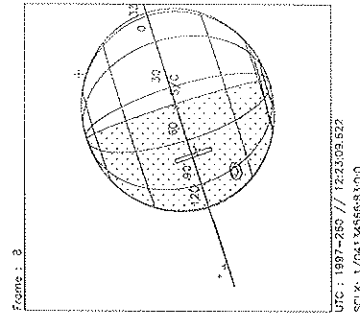
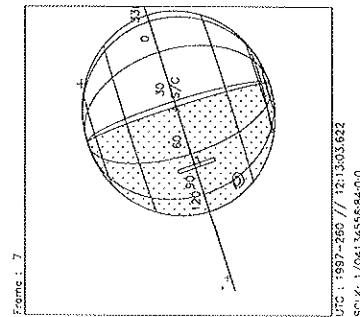
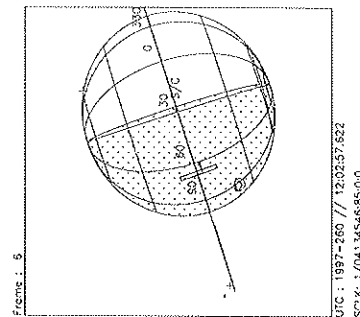
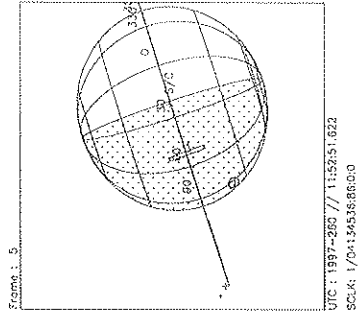
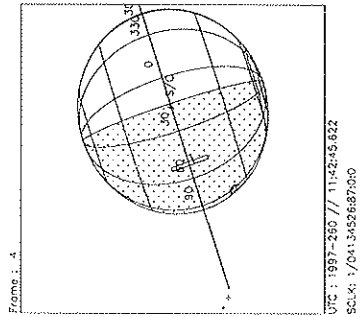
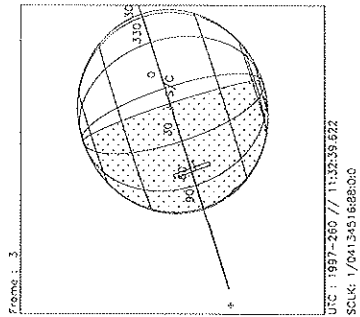
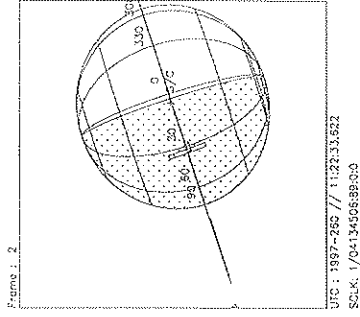
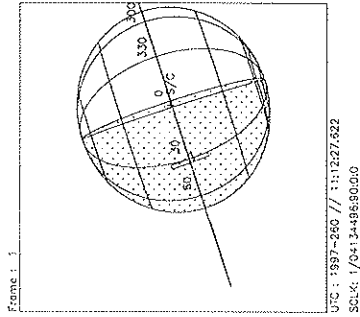
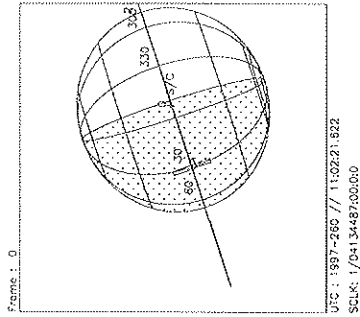
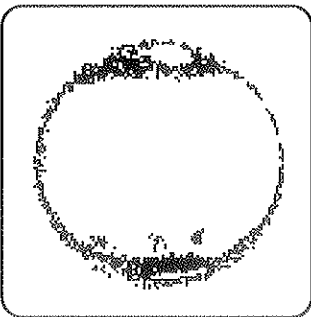


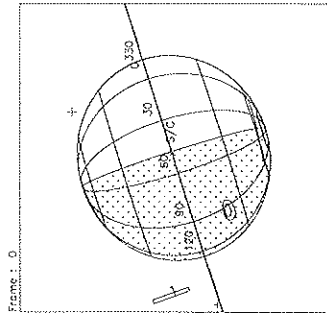
Activity ID: Orbit 10		OAPEL JUDRKMAP		SeqNo 01-	
Title Darkside Map		Instrument UVS			
Requestor UVS-AWG/W. KENT TOBISKA		Team UVS		Working Group AWG	
Time System CDS		Load ID 10A		Calendar Date 09/17/97 Week 38	
Start JEE-CDS 00002148:00:0		97-260/10:58:23.933		JEE-001/12:11:52.000	
End JEE-CDS 00002054:00:0		97-260/12:33:26.600		JEE-001/10:36:49.333	
Duration 00000094:00:0		000/01:35:02.667		000/01:35:02.667	
Top Label 10JUDRKMAP01-					
Bottom Label realtime					
Plot Key UVS		Type SCI			
CDS Bytes 242		Report Options BOTH		Scan Platform Yes	
CDS Source OAP		Spin State DUAL		DMS No	
Observation Objective					
Global mapping of darkside equatorial H Lyman-alpha.					
Realtime observation for 1.5 hours; G/G Ly-a 88 step 2 position miniscan. 10 RIMs UVS OFF/FIXED every 30 RIMs for PWS. Expect RTSFMT = H. Distance from Jupiter = 22 Rj. GRS at 91.5.					
Last cn/ck = TBD.					
Design Detail					
PSID	CDS RIM COMMAND PARAMETERS				
384AA	00 00 COMMNT UVS RIM 0				
61AA	28 02+LOOPER DUR = 30 RIMS; REPEAT = 3 (157AA)				
349AA	28 03+UVFLSH DISCRD,UVS				
157AA	38 03 CMDRS PLAN_DUR = 21 RIMS; EST_UVS_CMDS = 2				
	04 1 34UVS/UVG:DF, FIXED, NORM, NORM, NORM, SAME, 0, OFF, OFF, ON, ON, OFF, NOOVR, 1, 2C, 7D, 00, 2C				
	24 21 34UVS/OFF:C1, FIXED, NORM, NORM, NORM, SAME, 0, OFF, OFF, ON, OFF, OFF, NOOVR, 1, 2C, 05, 00, 00				
165AA	27 04 TARGET Lat/Lon = 0/30 (RA/Dec = 223.10/-18.46)				
117AA	37 04 CSMOS 1 subcsmos; 3 repositionS				
349AB	28 23+UVFLSH PACKET,UVS (1)				
349AC	28 53+UVFLSH PACKET,UVS (2)				
349AD	28 83+UVFLSH PACKET,UVS (3)				



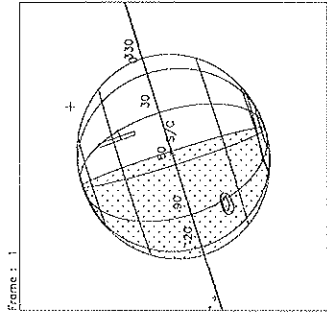
Start UTC_TIME : 1997-260 // 11:02:21.622
 End UTC_TIME : 1997-260 // 12:23:14.953
 Start SCLK : 1/04134487:00:00
 Delta Time between FOV : 606.0000
 FOVs : F Channel(0.1x0.4), N/G Channel(0.1x1.0)

Target Body : JUPITER
 Target Cone/Clock : 90.66 / 95.26 Deg
 S/C to Body Center : 1565093. Km (21.891862 RJ)
 Z-axis Pointing (Ra / Dec) : 137.25 / 19.00 Deg

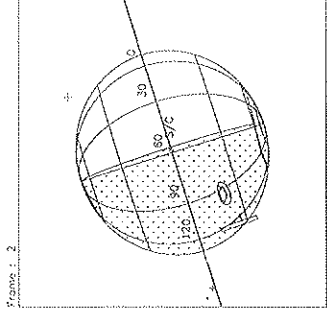
Activity ID: Orbit 10	OAPEL JUNEWSMP	SeqNo 01-
Title North-East-West-South Map	Instrument UVS	
Requestor UVS-AWG/W. KENT TOBISKA	Team UVS	Working Group AWG
Time System CDS	Load ID 10A	Calendar Date 09/17/97 Week 38
Start JEE-CDS 00002054:00:0	97-260/12:33:26.600	JEE-001/10:36:49.333
End JEE-CDS 00001990:00:0	97-260/13:38:09.267	JEE-001/09:32:06.666
Duration 00000064:00:0	000/01:04:42.667	000/01:04:42.667
Top Label 10JUEWMAPS01-		
Bottom Label recorded		
Plot Key UVS	Type SCI	
CDS Bytes 159	Report Options BOTH	Scan Platform Yes
CDS Source OAP	Spin State DUAL	DMS Yes
Observation Objective		
	Darkside/dayside mapping for limb-darkening of H Lyman-alpha and H2. Observe H corona off dark and bright limbs to 1+ Rj.	
	Recorded observation for 1.0 hours; G/G Ly-a 88 step 2 position miniscan. Approximately 50% overlap between UVS FOV footprints. Distance from Jupiter = 19 Rj. 3.669120 raw MBTG (2:1 = 1.834560 MBTG) using 854 tics. Last cn/ck = 92/95.	
<i>Jup. H CORONA</i>		
PSID	CDS RIM COMMAND PARAMETERS	Design Detail
384AB	00 00 COMMENT UVS RIM 0	
157AB	38 03 CMDRS PLAN_DUR = 61 RIMS; EST_UVS_CMDS = 2	
	04 1 34UVS/UVG:DF, FIXED, NORM, NORM, NORM, SAME, 0, OFF, OFF, ON, ON, OFF, NOOVR, 1, 2C, 7D, 00, 2C	
	64 61 34UVS/OFF:C1, FIXED, NORM, NORM, NORM, SAME, 0, OFF, OFF, ON, OFF, OFF, NOOVR, 1, 2C, 05, 00, 00	
175AB	18 04 SCIREC MODE_RATE = R7, DUR = 60 RIMS, REC_FMT = LPW	
305AB	00 04 SELECT INSTR=UVS2, COMPR=RICE, CMPR_DVSR=2.0, CMPR_UNC=0.0	
165AB	27 04 TARGET sub s/c pt (RA/Dec = 227.06/-18.41)	
117AB	76 04 CSMOS 3 subcsmos: mid-lats, equatorial regions (dark to light), and off limbs	
300AB	00 64 DESELC INSTR = UVS2	
	(NOTE: require waiver 58242(?) for cone 82.)	



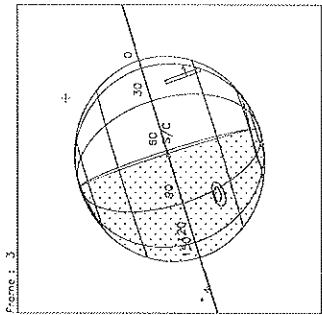
Frame : 0
 UTC : 1997-260 // 12:37:24.285
 SCLK : 1/04134581000:0



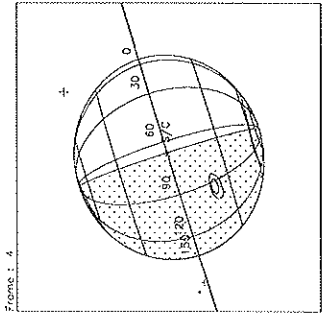
Frame : 1
 UTC : 1997-260 // 12:44:58.285
 SCLK : 1/04134588440:0



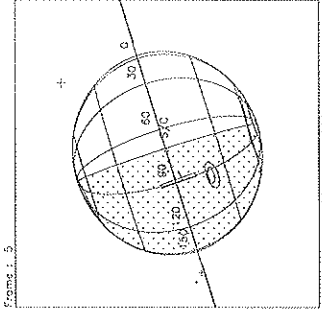
Frame : 2
 UTC : 1997-260 // 12:52:32.285
 SCLK : 1/04134595880:0



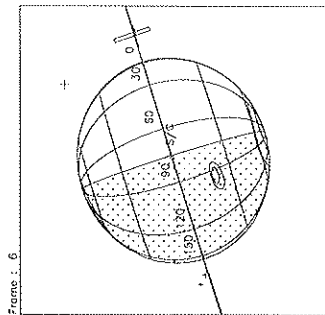
Frame : 3
 UTC : 1997-260 // 13:00:06.285
 SCLK : 1/04134603410:0



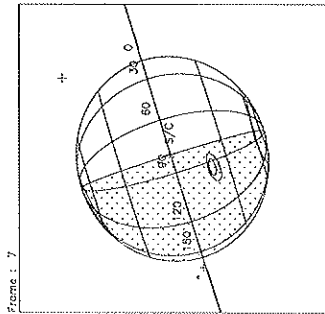
Frame : 4
 UTC : 1997-260 // 13:07:40.285
 SCLK : 1/04134610850:0



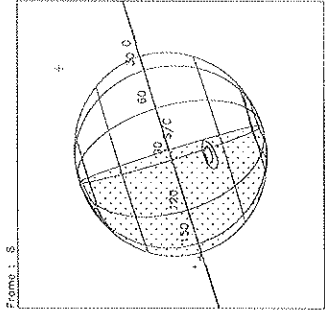
Frame : 5
 UTC : 1997-260 // 13:15:14.285
 SCLK : 1/04134618390:0



Frame : 6
 UTC : 1997-260 // 13:22:48.285
 SCLK : 1/04134625820:0



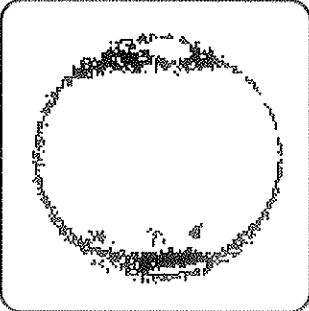
Frame : 7
 UTC : 1997-260 // 13:30:22.285
 SCLK : 1/04134633350:0

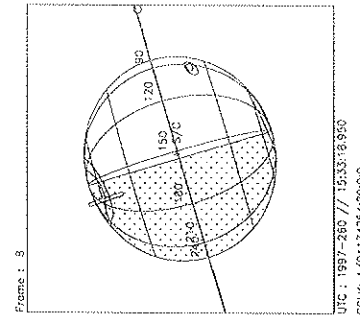
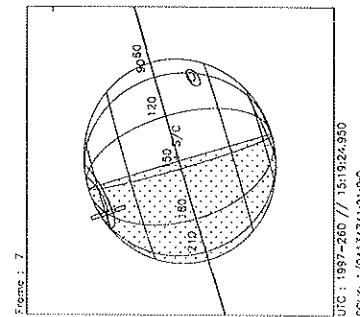
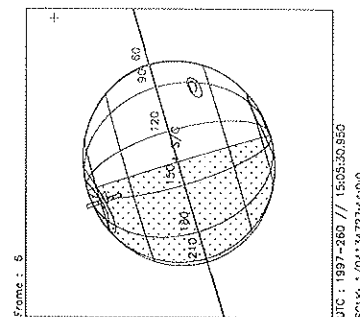
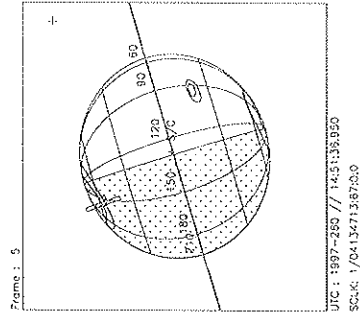
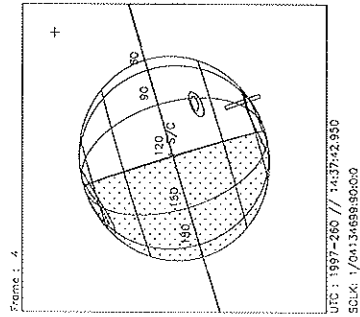
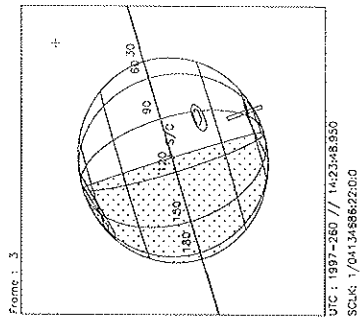
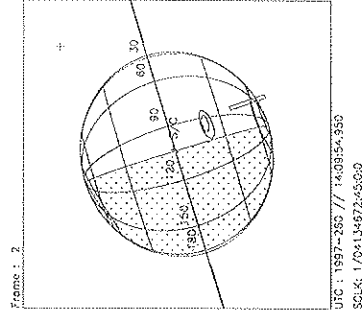
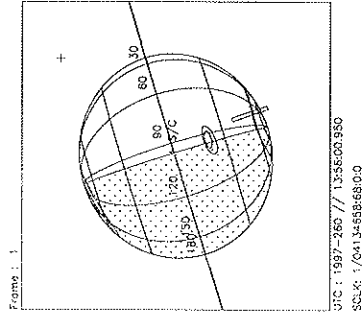
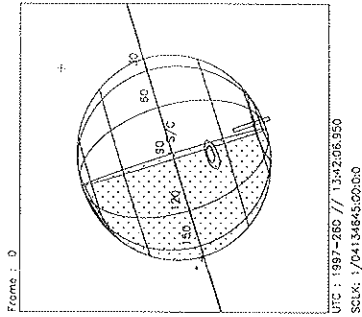


Frame : 8
 UTC : 1997-260 // 13:37:56.285
 SCLK : 1/04134640790:0

Start UTC_TIME : 1997-260 // 12:37:24.285
 End UTC_TIME : 1997-260 // 13:38:04.283
 Start SCLK : 1/04134581:00:0
 Delta Time between FOV : 454.0000
 FOVs : F Channel(0.1x0.4), N/G Channel(0.1x1.0)

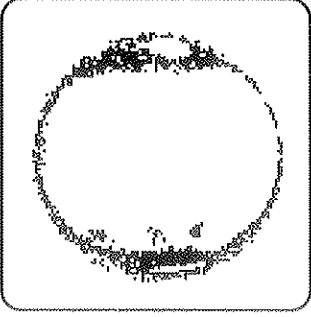
Target Body : JUPITER
 Target Cone/Clock : 92.35 / 95.31 Deg
 S/C to Body Center : 1518203, Km (21.235984 Ri)
 Z-axis Pointing (Ra / Dec) : 137.25 / 19.00 Deg

Activity ID: Orbit 10		OAPEL JUAURMAP		SeqNo 01-	
Title	Auroral asymmetry map			Instrument	UVS
Requestor	UVS-AWG/W. KENT TOBISKA	Team	UVS	Working Group	AWG
Time System	CDS	Load ID	10A	Calendar Date	09/17/97
		Week			38
Start	JEE-CDS 00001990:00:0		97-260/13:38:09.267		JEE-001/09:32:06.666
End	JEE-CDS 00001866:00:0		97-260/15:43:31.933		JEE-001/07:26:44.000
Duration	00000124:00:0		000/02:05:22.666		000/02:05:22.666
Top Label	10JUAURMAP01-				
Bottom Label	realtime				
Plot Key	UVS	Type	SCI		
CDS Bytes	370	Report Options	BOTH	Scan Platform	Yes
CDS Source	OAP	Spin State	DUAL	DMS	No
Observation Objective					
 <p>Northern nightside and southern dayside auroral map. Observe color ratios for H2 band particle energies.</p> <p>Realtime observation for 2.0 hours; G/G full-scan on dayside and F/G full scan on nightside. 10 RIMS OFF/FIXED every 30 RIMS for PWS. Expect RTSFMT = H/E. Distance from Jupiter = 20 Rj.</p> <p>Last cn/ck = TBD.</p>					
Design Detail					
PSID	CDS RIM	COMMAND	PARAMETERS		
384AC	00	00	COMMNT UVS RIM 0		
349AE	28	03+UVFLSH	DISCRD,UVS		
157AC	122	03	CMDRS PLAN_DUR = 121 RIMS; EST_UVS_CMDS = 8		
	04	1	34UVS/UVG:07,SCAN,NORM,NORM,NORM,SAME,0,OFF,OFF,ON,ON,OFF,NOOVR,1,2C,9D,00,00		
	24	21	34UVS/OFF:C1,FIXED,NORM,NORM,NORM,SAME,0,OFF,OFF,ON,OFF,OFF,NOOVR,1,2C,05,00,00		
	34	31	34UVS/UVG:07,SCAN,NORM,NORM,NORM,SAME,0,OFF,OFF,ON,ON,OFF,NOOVR,1,2C,9D,00,00		
	54	51	34UVS/OFF:C1,FIXED,NORM,NORM,NORM,SAME,0,OFF,OFF,ON,OFF,OFF,NOOVR,1,2C,05,00,00		
	64	61	34UVS/UVF:07,SCAN,NORM,NORM,NORM,SAME,0,ON,OFF,ON,ON,OFF,NOOVR,1,00,9C,01,2C		
	84	81	34UVS/OFF:C1,FIXED,NORM,NORM,NORM,SAME,0,OFF,OFF,ON,OFF,OFF,NOOVR,1,2C,05,00,00		
	94	91	34UVS/UVF:07,SCAN,NORM,NORM,NORM,SAME,0,ON,OFF,ON,ON,OFF,NOOVR,1,00,9C,01,2C		
	114	111	34UVS/OFF:C1,FIXED,NORM,NORM,NORM,SAME,0,OFF,OFF,ON,OFF,OFF,NOOVR,1,2C,05,00,00		
165AC	27	04	TARGET Lat/lon = -60/80 (RA/Dec = 223.53/-20.94)		
349AF	28	23+UVFLSH	PACKET,UVS (1)		
165AD	27	34	TARGET Lat/lon = -60/90 (RA/Dec = 223.92/-21.08)		
349AG	28	53+UVFLSH	PACKET,UVS (2)		
165AE	27	64	TARGET Lat/lon = 60/160 (RA/Dec = 227.26/-17.27)		
349AH	28	83+UVFLSH	PACKET,UVS (3)		
165AF	27	94	TARGET Lat/lon = 60/180 (RA/Dec = 227.94/-17.43)		
349AI	28	113+UVFLSH	PACKET,UVS (4)		



Start UTC_TIME : 1997-260 // 13:42:06.950
End UTC_TIME : 1997-260 // 15:33:20.279
Start SCLK : 1/04134645:00:00
Delta Time between FOV : 834.0000
FOVs : F Channel(0.1x0.4), N/G Channel(0.1x1.0)

Target Body : JUPITER
Target Cone/Clock : 93.57 / 95.35 Deg
S/C to Body Center : 1486064. Km (20.786441 RJ)
Z-axis Pointing (Ro / Dec) : 137.25 / 19.00 Deg

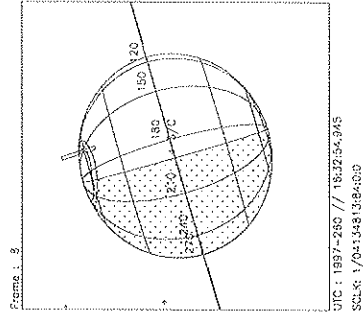
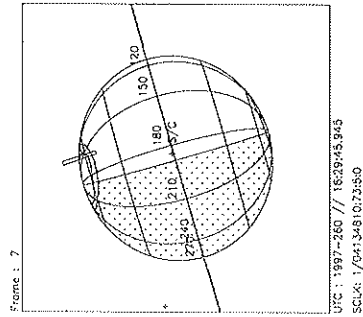
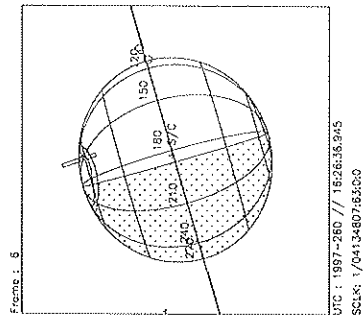
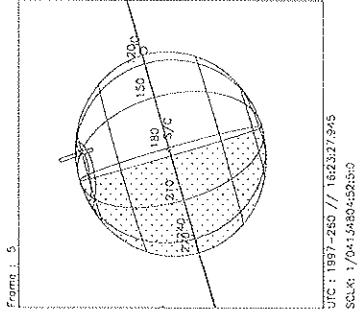
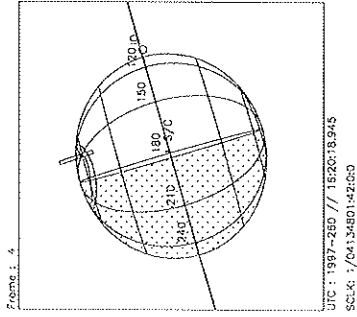
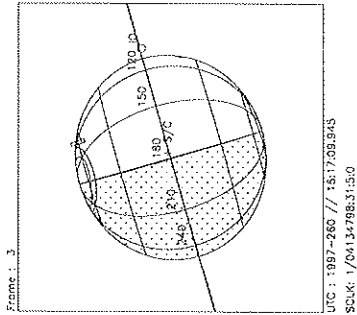
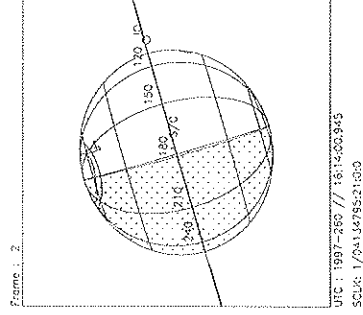
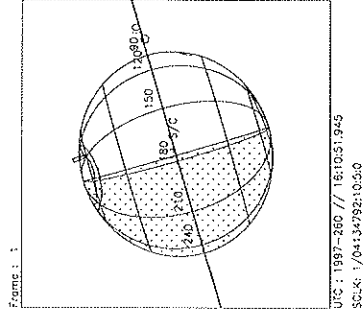
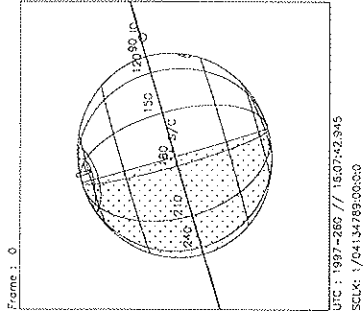
Activity ID:	Orbit 10	OAPEL JUFTKR1E	SeqNo	11-			
Title	Northern region Feature Track		Instrument	UVS			
Requestor	UVS-AWG/W. KENT TOBISKA	Team	UVS	Working Group	AWG		
Time System	CDS	Load ID	10A	Calendar Date	09/17/97	Week	38
Start	JEE-CDS 00001844:00:0		97-260/16:05:46.600		JEE-001/07:04:29.333		
End	JEE-CDS 00001832:00:0		97-260/16:17:54.600		JEE-001/06:52:21.333		
Duration	00000012:00:0		000/00:12:08.000		000/00:12:08.000		
Top Label	10JUFTKR1E11-						
Bottom Label	realtime						
Plot Key	UVS	Type	SCI				
CDS Bytes	323	Report Options	BOTH	Scan Platform	Yes		
CDS Source	OAP	Spin State	DUAL	DMS	No		
Observation Objective							
		AWG northern polar haze boundary (65/170 lat/lon) feature track (JEE epoch), rotation 1, solar phase angle xx deg, emission angle 1, following SSI (10JSNPAURO01) 2X2, 1X1.					
		Realtime observation format; F/F full scan followed by G/G 176 step miniscan for hydrocarbons between 1496-1755 A. Expect RTSFMT = E. Distance from Jupiter = 19.5 Rj.					
		Last cn/ck = TBD.					
		[NOTE: Io sublon = 14.5, N IFT = 19.1, S IFT = 21.9; Europa sublon = 151, N EFT = 39.3, S EFT = 22.6]					
Design Detail							
PSID	CDS RIM COMMAND PARAMETERS						
384AD	00 00 COMMENT UVS RIM 0						
349AJ	28 00+UVFLSH DISCRD,UVS						
157AG	52 01 CMDRS PLAN_DUR = 26 RIMS; EST_UVS_CMDS = 3						
	02 1 34UVS/UVF:07,SCAN,NORM,NORM,NORM,SAME,0,ON,OFF,OFF,ON,OFF,NOOVR,1,00,9C,00,00						
	12 11 34UVS/UVG:E3,FIXED,NORM,NORM,NORM,SAME,0,OFF,OFF,ON,ON,OFF,NOOVR,1,1A,8E,00,00						
	27 26 34UVS/OFF:C1,FIXED,NORM,NORM,NORM,SAME,0,OFF,OFF,ON,OFF,OFF,NOOVR,1,2C,05,00,00						
165AG	27 02 TARGET Lat/Lon = 72.6/161.1 (RA/Dec = 228.02/-17.14)						
117AG	76 02 CSMOS 4 subcsmos; 5 strips						
349AK	28 02+UVFLSH PACKET,UVS (1) 72.6/161.1						
349AL	28 04+UVFLSH PACKET,UVS (2) 74.6/127.7						
349AM	28 06+UVFLSH PACKET,UVS (3) 54.4/166.5						
349AN	28 08+UVFLSH PACKET,UVS (4) 55.0/153.2						
349AO	28 10+UVFLSH PACKET,UVS (5) 63.8/126.6						

Northern region Feature Track

ACTIVITY ID: 10JUFTKR1E12-

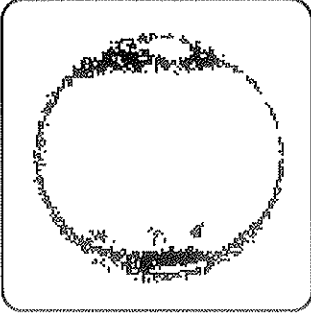
START TIME: 97-260/16:17:54.600

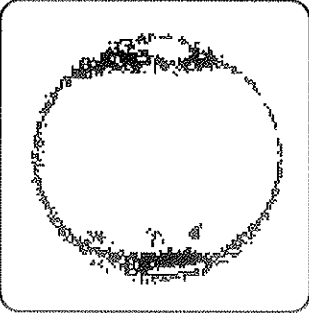
Activity ID: Orbit 10	OAPEL JUFTKR1E	SeqNo 12-
Title Northern region Feature Track	Instrument UVS	
Requestor UVS-AWG/W.KENTTOBISKA	Team UVS	Working Group AWG
Time System CDS	Load ID 10A	Calendar Date 09/17/97 Week 38
Start JEE-CDS 00001832:00:0	97-260/16:17:54.600	JEE-001/06:52:21.333
End JEE-CDS 00001817:00:0	97-260/16:33:04.600	JEE-001/06:37:11.333
Duration 00000015:00:0	000/00:15:10.000	000/00:15:10.000
Top Label 10JUFTKR1E12-		
Bottom Label realtime		
Plot Key UVS	Type SCI	
CDS Bytes 82	Report Options BOTH	Scan Platform Yes
CDS Source OAP	Spin State DUAL	DMS No
Observation Objective		
	AWG northern polar haze boundary (65/170 lat/lon) feature track (JEE epoch), rotation 1, solar phase angle xx deg, emission angle 1, independent UVS observation.	
	Realtime observation; G/G 176 step miniscan for hydrocarbons between 1496-1755 A. Expect RTSFMT = E. Distance from Jupiter = 19.5 Rj.	
	Last cn/ck = TBD.	
Design Detail		
PSID	CDS RIM COMMAND PARAMETERS	
384AE	00 00 COMMNT UVS RIM 0	
165AH	54 00 TARGET Lat/Lon = 74/127 (RA/Dec = 227.76/-17.06) (TMC active)	
349AR	28 14+UVFLSH PACKET,UVS (6)	

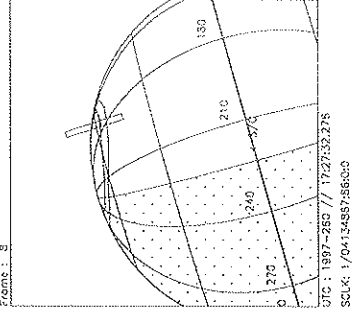
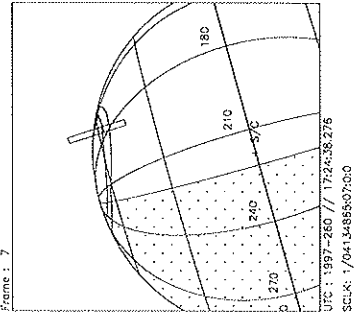
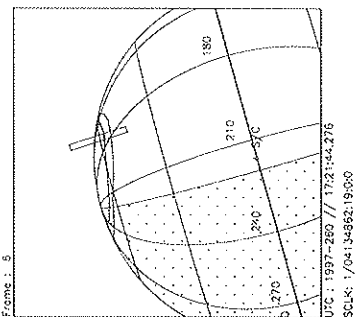
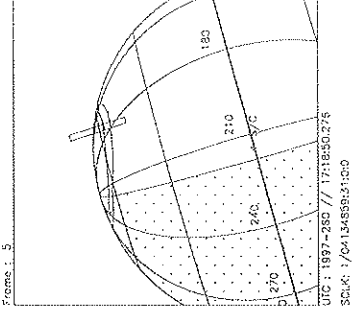
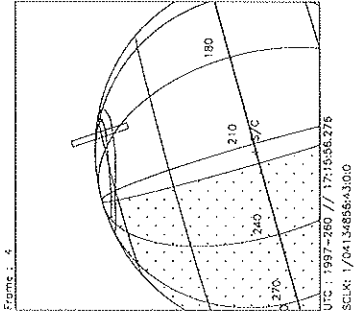
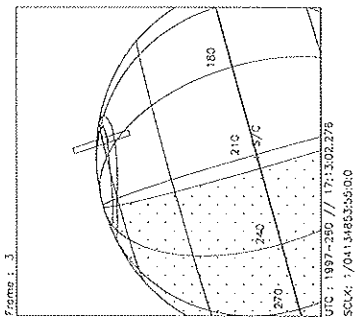
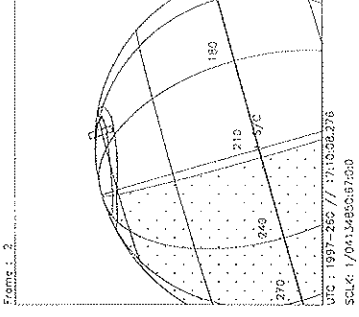
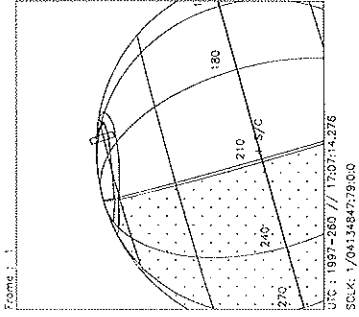
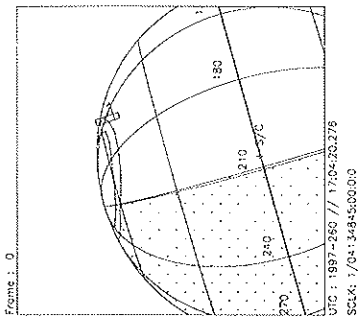


Start UTC_TIME : 1997-260 // 16:07:42.945
End UTC_TIME : 1997-260 // 16:32:59.610
Start SCLK : 1/04134789:00:00
Delta Time between FOV : 189.0000
FOVs : F Channel(0.1x0.4), N/G Channel(0.1x1.0)

Target Body : JUPITER
Target Cone/Clock : 96.50 / 95.44 Deg
S/C to Body Center : 1413162. Km (19.786715 Rj)
Z-axis Pointing (Ra / Dec) : 137.25 / 19.00 Deg

Activity ID: Orbit 10		OAPEL JUFTKR1E		SeqNo 21-	
Title		Northern region Feature Track		Instrument UVS	
Requestor		UVS-AWG/W.KENT TOBISKA		Team UVS	
				Working Group AWG	
Time System CDS		Load ID 10A		Calendar Date 09/17/97	
				Week 38	
Start		JEE-CDS 00001788:00:0		97-260/17:02:23.933	
				JEE-001/06:07:52.000	
End		JEE-CDS 00001780:00:0		97-260/17:10:29.267	
				JEE-001/05:59:46.666	
Duration		00000008:00:0		000/00:08:05.334	
				000/00:08:05.334	
Top Label		10JUFTKR1E21-			
Bottom Label		realtime			
Plot Key		UVS		Type SCI	
CDS Bytes		245		Report Options BOTH	
				Scan Platform Yes	
CDS Source		OAP		Spin State DUAL	
				DMS No	
Observation Objective					
		AWG northern polar haze boundary (65/170 lat/lon) feature track (JEE epoch), rotation 1, solar phase angle xx deg, emission angle 2, following SSI (10JSNPAURO02) 2X2, 1X1.			
		Realtime observation format; F/F full scan followed by G/G 176 step miniscan for hydrocarbons between 1496-1755 A. Expect RTSFMT = E. Distance from Jupiter = 19.0 Rj.			
		Last cn/ck = TBD.			
Design Detail					
PSID	CDS	RIM	COMMAND	PARAMETERS	
384AG	00	00	COMMNT	UVS RIM 0	
349AS	28	00	+UVFLSH	DISCRD,UVS	
157AI	52	01	CMDRS	PLAN_DUR = 24 RIMS; EST_UVS_CMDS = 3	
		02		1 34UVS/UVF:07,SCAN,NORM,NORM,NORM,SAME,0,ON,OFF,OFF,ON,OFF,NOOVR,1,00,9C,00,00	
		08		07 34UVS/UVG:E3,FIXED,NORM,NORM,NORM,SAME,0,OFF,OFF,ON,ON,OFF,NOOVR,1,1A,8E,00,00	
		25		24 34UVS/OFF:C1,FIXED,NORM,NORM,NORM,SAME,0,OFF,OFF,ON,OFF,OFF,NOOVR,1,2C,05,00,00	
165AI	27	02	TARGET	Lat/Lon = 57.1/154.2 (RA/Dec = 228.01/-17.44)	
349AT	28	02	+UVFLSH	PACKET,UVS (1)	
165AJ	27	04	TARGET	Lat/Lon = 64.4/162.7 (RA/Dec = 228.49/-17.38)	
349AU	28	04	+UVFLSH	PACKET,UVS (2)	
165AK	27	06	TARGET	Lat/Lon = 69.0/178.7 (RA/Dec = 228.97/-17.40)	
349AV	28	06	+UVFLSH	PACKET,UVS (3)	

Activity ID: Orbit 10	OAPEL JUFTKR1E	SeqNo 22-
Title Northern region Feature Track	Instrument UVS	
Requestor UVS-AWG/W.KENTTOBISKA	Team UVS	Working Group AWG
Time System CDS	Load ID 10A	Calendar Date 09/17/97 Week 38
Start JEE-CDS 00001780:00:0	97-260/17:10:29.267	JEE-001/05:59:46.666
End JEE-CDS 00001763:00:0	97-260/17:27:40.600	JEE-001/05:42:35.333
Duration 00000017:00:0	000/00:17:11.333	000/00:17:11.333
Top Label 10JUFTKR1E22-		
Bottom Label realtime		
Plot Key UVS	Type SCI	
CDS Bytes 82	Report Options BOTH	Scan Platform Yes
CDS Source OAP	Spin State DUAL	DMS No
Observation Objective		
	AWG northern polar haze boundary (65/170 lat/lon) feature track (JEE epoch), rotation 1, solar phase angle xx deg, emission angle 2, independent UVS observation.	
	Realtime observation; G/G 176 step miniscan for hydrocarbons between 1496-1755 A. Expect RTSFMT = E. Distance from Jupiter = 18.8 Rj.	
	Last cn/ck = TBD.	
Design Detail		
PSTID CDS RIM COMMAND PARAMETERS 384AH 00 00 COMMNT UVS RIM 0 165AL 54 00 TARGET Lat/Lon = 64.4/162.7 (RA/Dec = 228.55/-17.39) (TMC active) 349AY 28 16+UVFLSH PACKET,UVS (4)		



Start UTC_TIME : 1997-260 // 17:04:20.276
 End UTC_TIME : 1997-260 // 17:27:35.608
 Start SCLK : 1/0413484500000
 Delta Time between FOV : 174.0000
 FOVs : F Channel(0.1x0.4), N/G Channel(0.1x1.0)

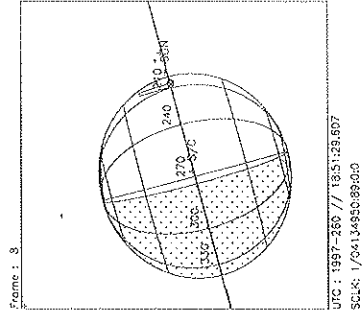
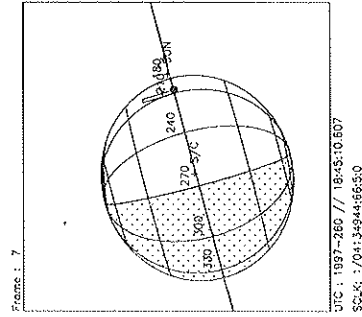
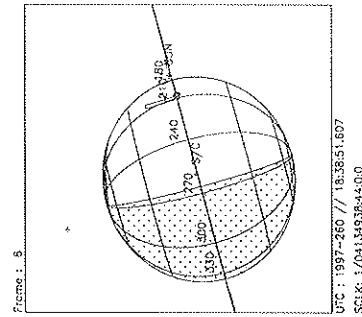
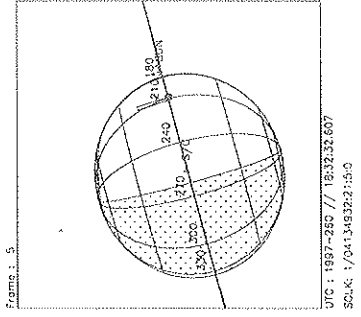
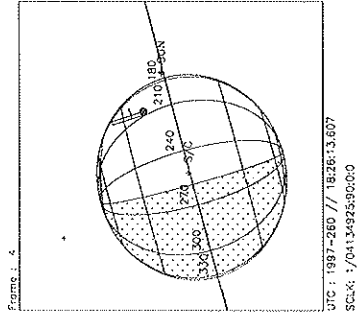
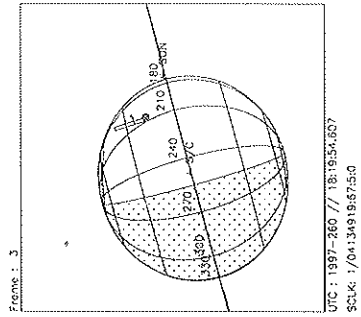
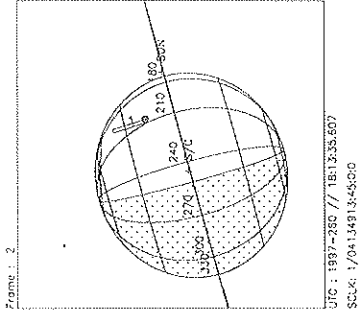
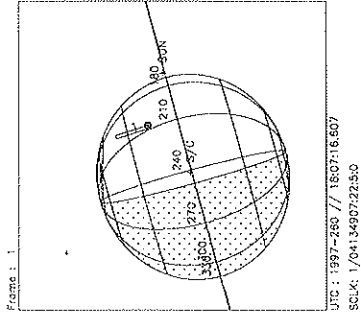
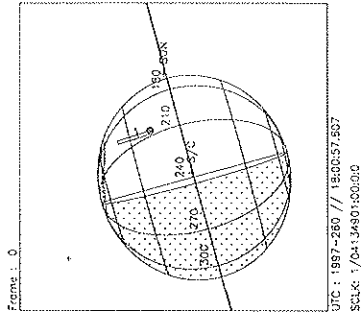
Target Body : JUPITER
 Target Cone/Clock : 97.73 / 95.48 Deg
 S/C to Body Center : 1384609. Km (19.367327 Rj)
 Z-axis Pointing (Ro / Dec) : 137.25 / 19.00 Deg

Brightside map

ACTIVITY ID: 10JUBRTMAP01-

START TIME: 97-260/17:56:59.933

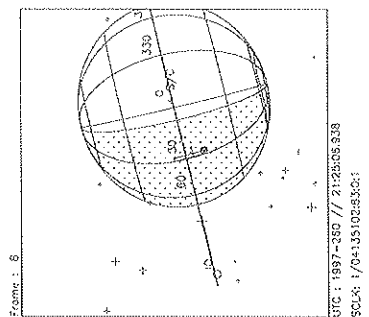
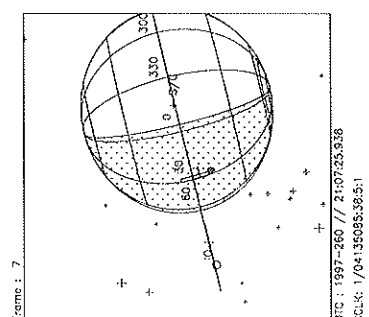
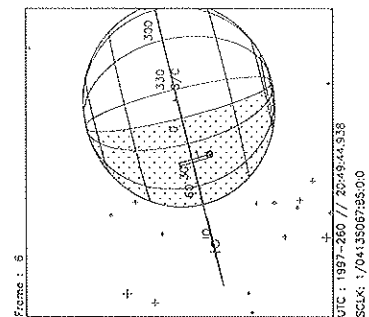
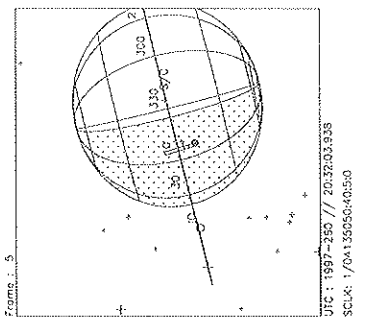
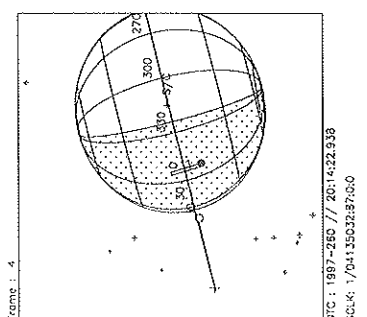
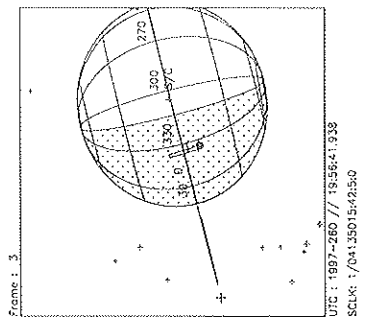
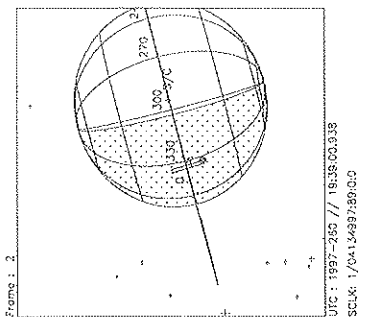
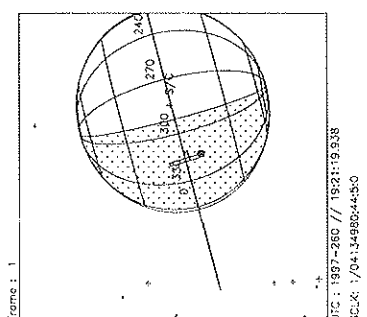
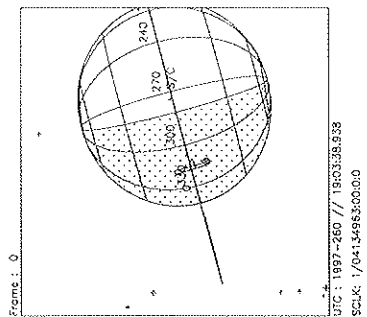
Activity ID: Orbit 10		OAPEL JUBRTMAP		SeqNo 01-	
Title	Brightside map	Instrument		UVS	
Requestor	UVS-AWG/W.KENTTOBISKA	Team	UVS	Working Group	AWG
Time System	CDS	Load ID	10A	Calendar Date	09/17/97 Week 38
Start	JEE-CDS 00001734:00:0		97-260/17:56:59.933		JEE-001/05:13:16.000
End	JEE-CDS 00001670:00:0		97-260/19:01:42.600		JEE-001/04:08:33.333
Duration	00000064:00:0		000/01:04:42.667		000/01:04:42.667
Top Label	10JUBRTMAP01-				
Bottom Label	realtime				
Plot Key	UVS	Type	SCI		
CDS Bytes	204	Report Options	BOTH	Scan Platform	Yes
CDS Source	OAP	Spin State	DUAL	DMS	No
Observation Objective					
Brightside mapping of hydrocarbons for long-term variation studies.					
Realtime observation for 1.0 hour; G/G 176 step miniscan for hydrocarbons between 1496-1755 A. 10 RIMs UVS OFF/FIXED every 30 RIMs for PWS. Expect RTSFMT = E. Distance from Jupiter = 21.5 Rj.					
Last cn/ck = TBD.					
Design Detail					
PSID	CDS RIM COMMAND PARAMETERS				
384AI	00 00 COMMNT UVS RIM 0				
349KA	28 03+UVFLSH DISCRD,UVS				
157AM	66 03 CMDRS PLAN_DUR = 61 RIMS; EST_UVS_CMDS = 4				
	04 1 34UVS/UVG:E3, FIXED, NORM, NORM, NORM, SAME, 0, OFF, OFF, ON, ON, OFF, NOOVR, 1, 1A, 8E, 00, 00				
	24 21 34UVS/OFF:C1, FIXED, NORM, NORM, NORM, SAME, 0, OFF, OFF, ON, OFF, OFF, NOOVR, 1, 2C, 05, 00, 00				
	34 31 34UVS/UVG:E3, FIXED, NORM, NORM, NORM, SAME, 0, OFF, OFF, ON, ON, OFF, NOOVR, 1, 1A, 8E, 00, 00				
	54 51 34UVS/OFF:C1, FIXED, NORM, NORM, NORM, SAME, 0, OFF, OFF, ON, OFF, OFF, NOOVR, 1, 2C, 05, 00, 00				
165AM	27 04 TARGET Lat/lon = 30/205 (RA/Dec = 228.81/-18.61)				
349KB	28 23+UVFLSH PACKET,UVS (1)				
165AN	27 34 TARGET Lat/lon = 10/210 (RA/Dec = 228.53/-19.48)				
349KC	28 53+UVFLSH PACKET,UVS (2)				



Start UTC_TIME : 1997-260 // 18:00:57.607
 End UTC_TIME : 1997-260 // 18:51:30.939
 Start SCLK : 1/04134901:00:00
 Delta Time between FOV : 379.0000
 FOVs : F Channel(0.1x0.4), N/G Channel(0.1x1.0)

Target Body : JUPITER
 Target Cone/Clock : 99.01 / 95.52 Deg
 S/C to Body Center : 1355955. Km (18.966530 Rj)
 Z-axis Pointing (Ra / Dec) : 137.25 / 19.00 Deg

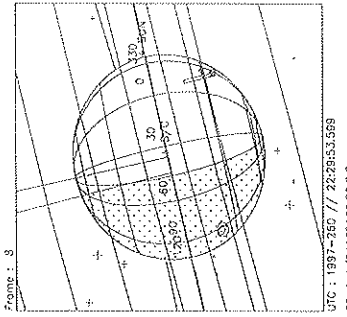
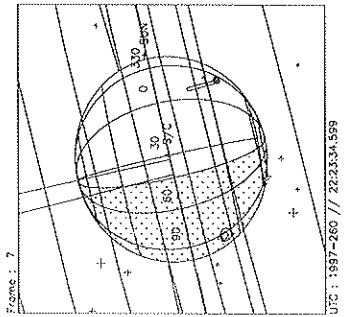
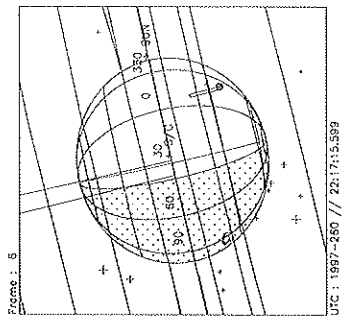
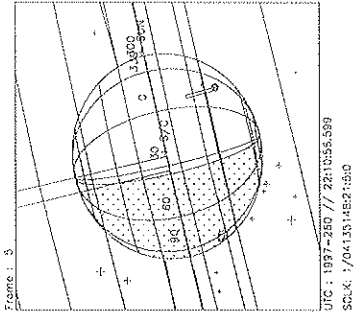
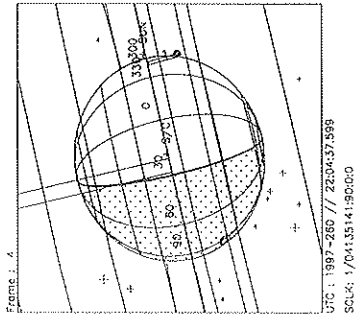
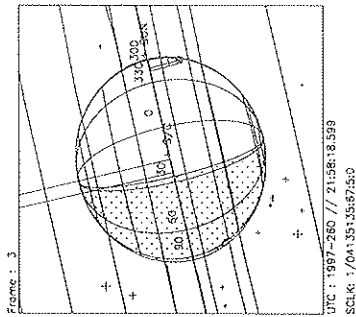
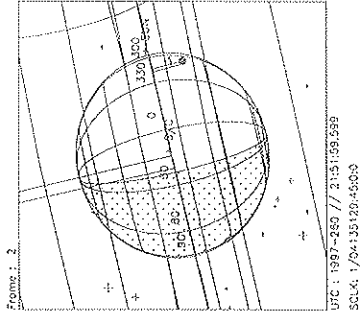
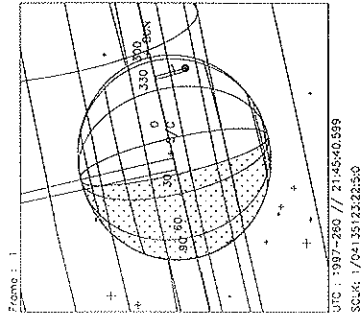
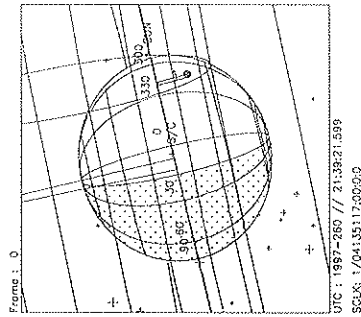
Activity ID: Orbit 10		OAPEL JUDRKMAP		SeqNo 02-	
Title	Darkside Map	Instrument		UVS	
Requestor	UVS-AWG/W. KENT TOBISKA	Team	UVS	Working Group	AWG
Time System	CDS	Load ID	10A	Calendar Date	09/17/97
				Week	38
Start	JEE-CDS 00001670:00:0		97-260/19:01:42.600		JEE-001/04:08:33.333
End	JEE-CDS 00001518:00:0		97-260/21:35:23.933		JEE-001/01:34:52.000
Duration	00000152:00:0		000/02:33:41.333		000/02:33:41.333
Top Label	10JUDRKMAP02-				
Bottom Label	realtime				
Plot Key	UVS	Type	SCI		
CDS Bytes	298	Report Options	BOTH	Scan Platform	Yes
CDS Source	OAP	Spin State	DUAL	DMS	No
Observation Objective					
Global mapping of darkside equatorial H Lyman-alpha.					
Realtime observation for 2.5 hours; G/G Ly-a 88 step 2 position miniscan. 10 RIMS UVS OFF/FIXED every 30 RIMS for PWS. Expect RTSFMT = H. Last 10 RIMS for 10INVOLCAN01. Distance from Jupiter = 18.5 Rj. GRS at 91.5.					
Last cn/ck = 102/95.					
Design Detail					
PSID	CDS RIM COMMAND PARAMETERS				
384AK	00	00 COMMENT UVS RIM 0			
61AO	28	00+LOOPER DUR = 30 RIMS; REPEAT = 5 (157AO)			
349KD	28	01+UVFLSH DISCRD,UVS			
157AO	38	01 CMDRS PLAN_DUR = 21 RIMS; EST_UVS_CMDS = 2			
	02	01 34UVS/UVG:DF, FIXED, NORM, NORM, NORM, SAME, 0, OFF, OFF, ON, ON, OFF, NOOVR, 1, 2C, 7D, 00, 2C			
	22	21 34UVS/OFF:C1, FIXED, NORM, NORM, NORM, SAME, 0, OFF, OFF, ON, OFF, OFF, NOOVR, 1, 2C, 05, 00, 00			
165AO	27	02 TARGET Lat/Lon = 0/315 (RA/Dec = 233.65/-21.26)			
117AO	37	02 CSMOS 1 subcmos; 5 repositions			
349KE	28	21+UVFLSH PACKET,UVS (1)			
349KF	28	51+UVFLSH PACKET,UVS (2)			
349KG	28	81+UVFLSH PACKET,UVS (3)			
349KH	28	111+UVFLSH PACKET,UVS (4)			
349KI	28	141+UVFLSH PACKET,UVS (5)			



Start UTC_TIME : 1997-260 // 19:03:38.938
End UTC_TIME : 1997-260 // 21:25:12.267
Start SCLK : 1/04134963:00:0:0
Delta Time between FOV : 1061.000
FOVs : F Channel(0.1x0.4), N/G Channel(0.1x1.0)

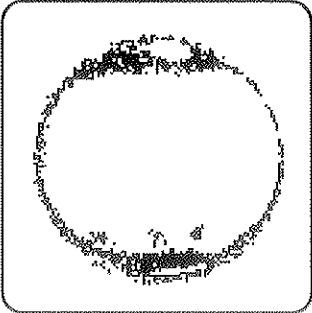
Target Body : JUPITER
Target Cone/Clock : 100.49 / 95.57 Deg
S/C to Body Center : 1324126. Km (18.521322 RJ)
Z-axis Pointing (Ro / Dec) : 137.25 / 19.00 Deg

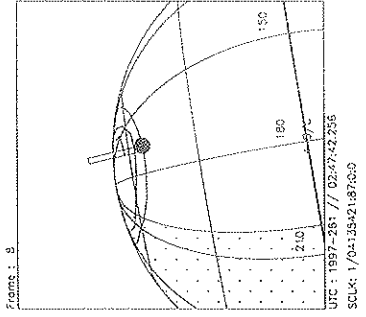
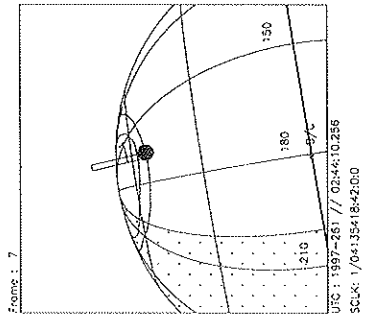
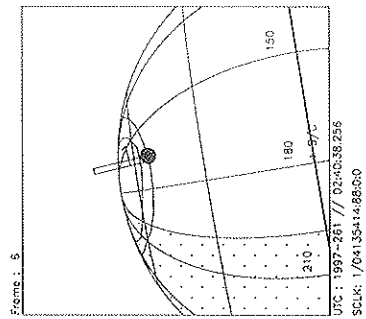
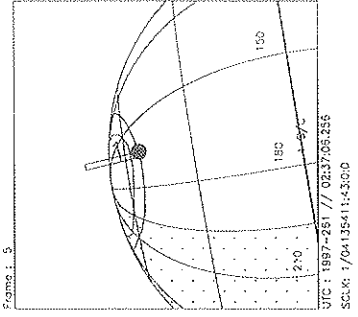
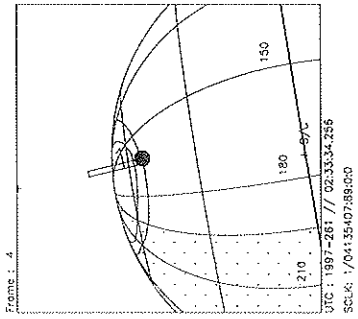
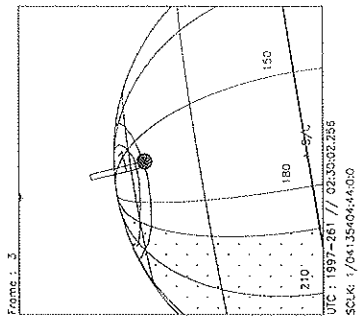
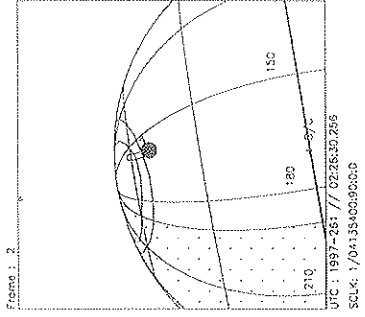
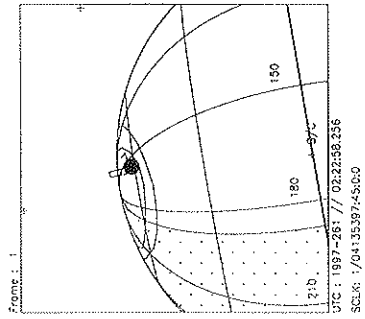
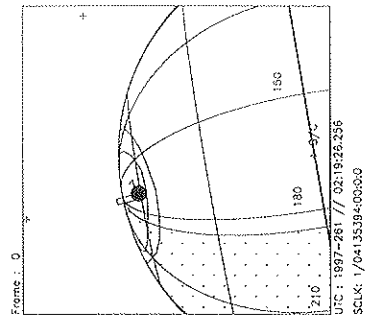
Activity ID: Orbit 10		OAPEL JUBRTMAP		SeqNo 02-	
Title	Brightside map	Instrument		UVS	
Requestor	UVS-AWG/W. KENT TOBISKA	Team	UVS	Working Group	AWG
Time System	CDS	Load ID	10A	Calendar Date	09/17/97
				Week	38
Start	JEE-CDS 00001518:00:0		97-260/21:35:23.933		JEE-001/01:34:52.000
End	JEE-CDS 00001454:00:0		97-260/22:40:06.600		JEE-001/00:30:09.333
Duration	00000064:00:0		000/01:04:42.667		000/01:04:42.667
Top Label	10JUBRTMAP02-				
Bottom Label	realtime				
Plot Key	UVS	Type	SCI		
CDS Bytes	204	Report Options	BOTH	Scan Platform	Yes
CDS Source	OAP	Spin State	DUAL	DMS	No
Observation Objective					
Brightside mapping of hydrocarbons for long-term variation studies.					
Realtime observation for 1.0 hour; G/G 176 step miniscan for hydrocarbons between 1496-1755 A. 10 RIMs UVS OFF/FIXED every 30 RIMs for PWS. Expect RTSEFMT = E. Distance from Jupiter = 17.3 Rj.					
Last cn/ck = TBD.					
Design Detail					
PSID	CDS RIM COMMAND PARAMETERS				
384AL	00	00	COMMT UVS RIM 0		
349KJ	28	03	+UVFLSH DISCRD, UVS		
157AP	66	03	CMDRS PLAN_DUR = 61 RIMS; EST_UVS_CMDS = 4		
		04	1 34UVS/UVG:E3, FIXED, NORM, NORM, NORM, SAME, 0, OFF, OFF, ON, ON, OFF, NOOVR, 1, 1A, 8E, 00, 00		
		24	21 34UVS/OFF:C1, FIXED, NORM, NORM, NORM, SAME, 0, OFF, OFF, ON, OFF, OFF, NOOVR, 1, 2C, 05, 00, 00		
		34	31 34UVS/UVG:E3, FIXED, NORM, NORM, NORM, SAME, 0, OFF, OFF, ON, ON, OFF, NOOVR, 1, 1A, 8E, 00, 00		
		54	51 34UVS/OFF:C1, FIXED, NORM, NORM, NORM, SAME, 0, OFF, OFF, ON, OFF, OFF, NOOVR, 1, 2C, 05, 00, 00		
165AP	27	04	TARGET Lat/lon = -10/320 (RA/Dec = 233.04/-21.65)		
349KK	28	23	+UVFLSH PACKET, UVS (3)		
165AQ	27	34	TARGET Lat/lon = -30/350 (RA/Dec = 234.42/-23.02)		
349KL	28	53	+UVFLSH PACKET, UVS (4)		



Start UTC_TIME : 1997-260 // 21:39:21.599
 End UTC_TIME : 1997-260 // 22:29:54.931
 Start SCLK : 1/04135117:00:00
 Delta Time between FOV : 379.0000
 FOVs : F Channel(0.1x0.4), N/G Channel(0.1x1.0)

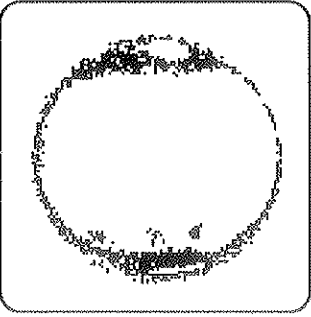
Target Body : JUPITER
 Target Cone/Clock : 104.49 / 95.70 Deg
 S/C to Body Center : 1244701. Km (17.410351 Rj)
 Z-axis Pointing (Ra / Dec) : 137.25 / 19.00 Deg

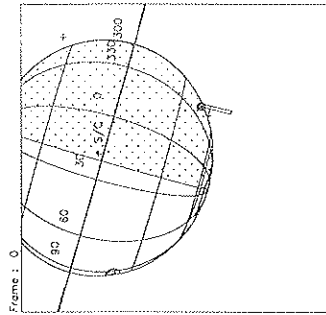
Activity ID: Orbit 10	OAPEL JUFTKR2E	SeqNo 11-
Title	Northern region Feature Track	Instrument UVS
Requestor	UVS-AWG/W.KENTTOBISKA	Team UVS Working Group AWG
Time System CDS	Load ID 10A	Calendar Date 09/18/97 Week 38
Start	JEE-CDS 00001239:00:0	97-261/02:17:29.933 JEE-000/20:52:46.000
End	JEE-CDS 00001227:00:0	97-261/02:29:37.933 JEE-000/20:40:38.000
Duration	00000012:00:0	000/00:12:08.000 000/00:12:08.000
Top Label	10JUFTKR2E11-	
Bottom Label	realtime	
Plot Key	UVS	Type SCI
CDS Bytes	323	Report Options BOTH Scan Platform No
CDS Source	OAP	Spin State DUAL DMS No
Observation Objective		
	AWG northern polar haze boundary (65/170 lat/lon) feature track (JEE epoch), rotation 2, solar phase angle xx deg, emission angle 1, following SSI (10JSNPAURO03) 2X2, 1X1.	
	Realtime observation format; F/F full scan followed by G/G 176 step miniscan for hydrocarbons between 1496-1755 A. Expect RTSFMT = E. Distance from Jupiter = 15.5 Rj.	
	Last cn/ck = TBD.	
[NOTE: Io sublon = 299, N IFT = 276.4, S IFT = 317.5; Europa sublon = 119, N EFT = 57.3/148.4, S EFT = -67.1/92.4]		
Design Detail		
PSID	CDS RIM COMMAND PARAMETERS	
384AN	00 00 COMMNT UVS RIM 0	
349KM	28 00+UVFLSH DISCRD,UVS	
157AR	52 01 CMDRS PLAN_DUR = 26 RIMS; EST_UVS_CMDS = 3	
	02 1 34UVS/UVF:07,SCAN,NORM,NORM,NORM,SAME,0,ON,OFF,OFF,ON,OFF,NOOVR,1,00,9C,00,00	
	12 1.1 34UVS/UVG:E3,FIXED,NORM,NORM,NORM,SAME,0,OFF,OFF,ON,ON,OFF,NOOVR,1,1A,8E,00,00	
	27 2.6 34UVS/OFF:C1,FIXED,NORM,NORM,NORM,SAME,0,OFF,OFF,ON,OFF,OFF,NOOVR,1,2C,05,00,00	
165AR	27 02 TARGET Lat/Lon = 73.9/173.5 (RA/Dec = 245.67/-20.13)	
117AR	76 02 CSMOS 4 subcsmos	
349KN	28 02+UVFLSH PACKET,UVS (1) 73.9/173.5	
349KO	28 04+UVFLSH PACKET,UVS (2) 74.7/152.6	
349KP	28 06+UVFLSH PACKET,UVS (3) 57.8/170.1	
349KQ	28 08+UVFLSH PACKET,UVS (4) 58.2/159.5	
349KR	28 10+UVFLSH PACKET,UVS (5) 65.8/143.2	



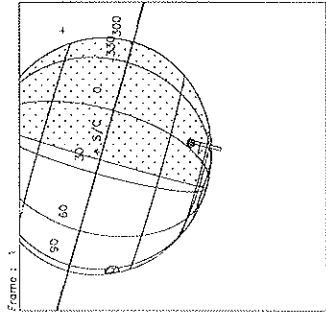
Start UTC_TIME : 1997-261 // 02:19:26.256
 End UTC_TIME : 1997-261 // 02:47:44.922
 Start SCLK : 1/04135394-00:000
 Delta Time between FOV : 2:12.0000
 FOVs : F Channel(0.1x0.4), N/G Channel(0.1x1.0)

Target Body : JUPITER
 Target Cone/Clock : 113.15 / 96.00 Deg
 S/C to Body Center : 1101576. Km (15.408387 Ri)
 Z-axis Pointing (Ro / Dec) : 137.25 / 19.00 Deg

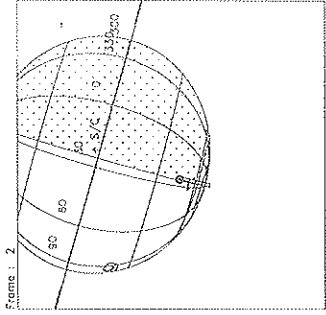
Activity ID: Orbit 10	OAPEL JUAURVAR		SeqNo 01-
Title	Auroral variability map	Instrument	UVS
Requestor	UVS-AWG/W. KENT TOBISKA	Team UVS	Working Group AWG
Time System CDS	Load ID 10A	Calendar Date 09/19/97	Week 38
Start	JEE+CDS 00001142:00:0	97-262/18:24:57.266	JEE+000/19:14:41.333
End	JEE+CDS 00001176:00:0	97-262/18:59:19.933	JEE+000/19:49:04.000
Duration	00000034:00:0	000/00:34:22.667	000/00:34:22.667
Top Label	10JUAURVAR01-		
Bottom Label	recorded		
Plot Key	UVS	Type	SCI
CDS Bytes	120	Report Options	BOTH
CDS Source	OAP	Spin State	DUAL
		Scan Platform	Yes
		DMS	Yes
Observation Objective			
	Southern aurora structure using H Lyman-alpha. Also observe Io fluxtube footprint.		
	Recorded observation for 0.5 hours; G/G 88 step 2 position Lyman-a miniscan. Distance from Jupiter = 14.8 Rj. 1.834560 raw MBTG (2:1 = 0.917280 MBTG + {144bps x 30rims x 60.67bpr / 3compr = 0.087360 AACs} = 1.004640 MBTG) and tics= 427.		
	Last cn/ck = TBD.		
[NOTE: Io sublongitude = 330 and Io fluxtube footprint = -64.2/343.6 to 328.6 from J. Connerney; MAG ridealong with record.]			
Design Detail			
PSID	CDS RIM	COMMAND PARAMETERS	
384AP	00	00 COMMENT UVS RIM 0	
157AU	38	03 CMDRS PLAN_DUR = 31 RIMS; EST_UVS_CMDS = 2	
		04	1 34UVS/UVG:DF, FIXED, NORM, NORM, NORM, SAME, 0, OFF, OFF, ON, ON, OFF, NOOVR, 1, 2C, 7D, 00, 2C
		34	31 34UVS/OFF:C1, FIXED, NORM, NORM, NORM, SAME, 0, OFF, OFF, ON, OFF, OFF, NOOVR, 1, 2C, 05, 00, 00
175AU	18	04 SCIREC MODE_RATE = R7, DUR = 30 RIMS, REC_FMT = LPW	
305AU	00	04 SELECT INSTR=UVS2, COMPR=RICE, CMPR_DVSR=2.0, CMPR_UNC=0.0	
165AU	27	04 TARGET subsc pt; cone_off=45.0, xccone_off=57.0 (RA/Dec = 46.66/16.17)	
117AU	37	04 CS MOS 2 slews: south polar region (dark to light) and IFT	
300AU	00	34 DESELC INSTR = UVS2	



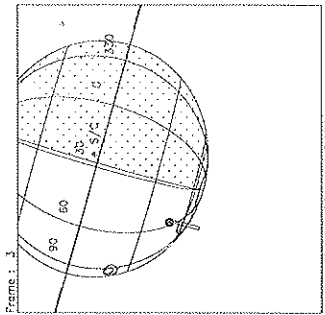
UTC : 1997-262 // 18:28:54.836
 SCLK: 1/04137777:00:00



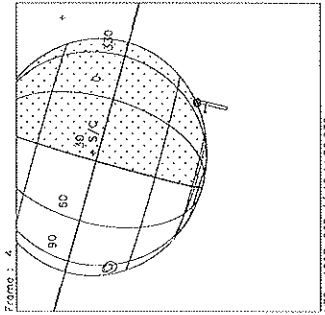
UTC : 1997-262 // 18:32:41.836
 SCLK: 1/04137780:07:50



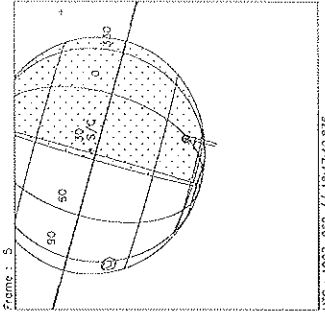
UTC : 1997-262 // 18:36:28.836
 SCLK: 1/04137784:44:00



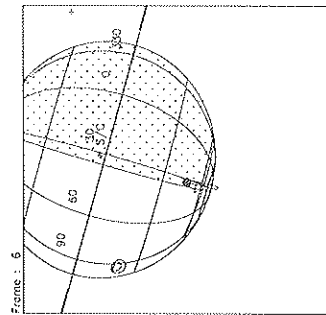
UTC : 1997-262 // 18:40:15.836
 SCLK: 1/04137788:20:50



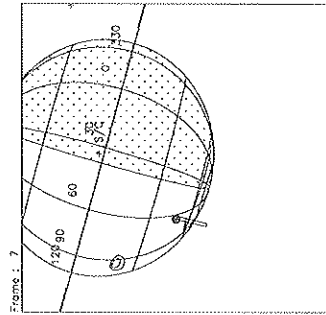
UTC : 1997-262 // 18:44:02.836
 SCLK: 1/04137791:08:00



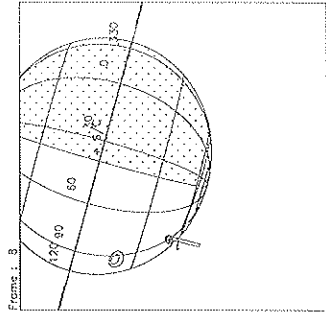
UTC : 1997-262 // 18:47:49.836
 SCLK: 1/04137795:04:50



UTC : 1997-262 // 18:51:36.836
 SCLK: 1/04137798:41:00



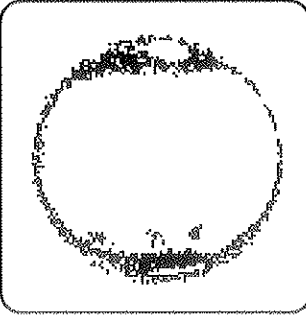
UTC : 1997-262 // 18:55:23.836
 SCLK: 1/04137803:17:50

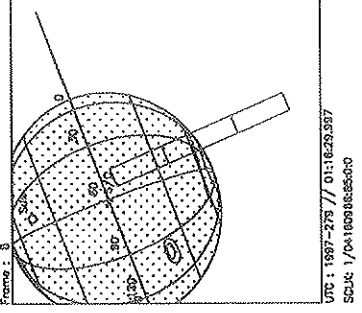
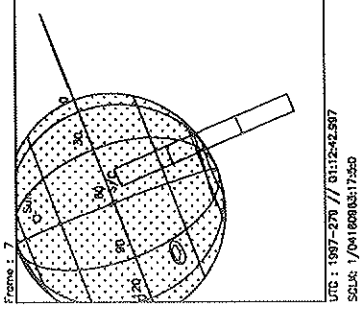
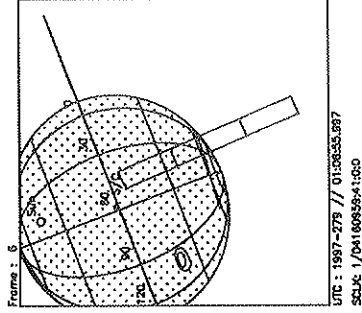
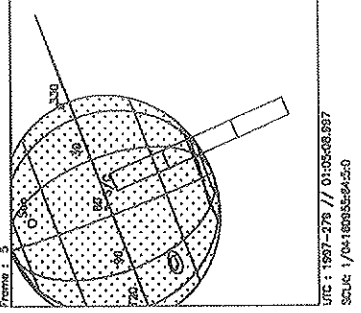
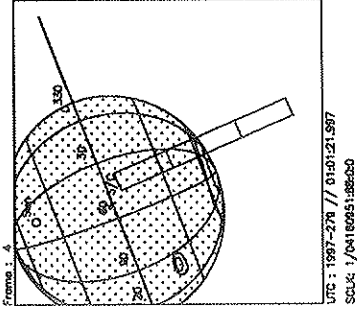
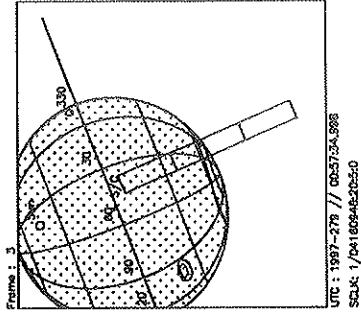
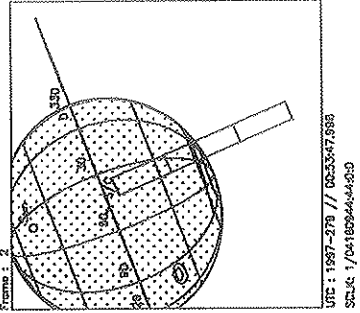
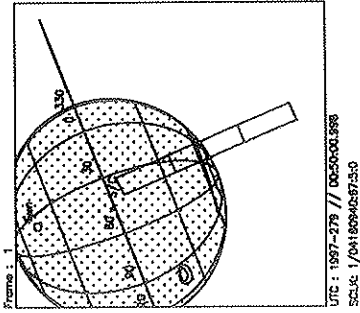
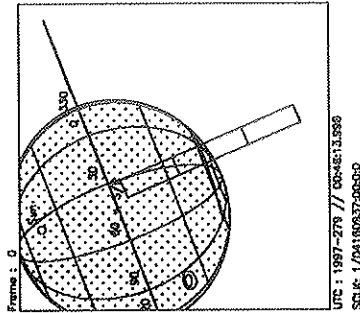


UTC : 1997-262 // 18:59:10.836
 SCLK: 1/04137806:05:00

Start UTC_TIME : 1997-262 // 18:28:54.836
 End UTC_TIME : 1997-262 // 18:59:14.835
 Start SCLK : 1/04137777:00:00
 Delta Time between FOV : 227.0000
 FOVs : F Channel(0.1x0.4), N/G Channel(0.1x1.0)

Target Body : JUPITER
 Target Cone/Clock : 109.22/280.08 Deg
 S/C to Body Center : 1054432. Km (14.748953 Rj)
 Z-axis Pointing (Ra / Dec) : 161.75 / 7.00 Deg

Activity ID:	Orbit 10	OAPEL	JUAURMAP	SeqNo	02-
Title	Auroral asymmetry map			Instrument	UVS
Requestor	UVS-AWG/W.KENT TOBISKA	Team	UVS	Working Group	AWG
Time System	CDS	Load ID	10B	Calendar Date	10/06/97
		Week			40
Start	JOC+CDS 000000:00:0		97-279/00:42:16.400		JOC+000/00:00:00.000
End	JOC+CDS 00000032:00:0		97-279/01:14:37.733		JOC+000/00:32:21.333
Duration	00000032:00:0		000/00:32:21.333		000/00:32:21.333
Top Label	10JUAURMAP02-				
Bottom Label	recorded				
Plot Key	UVS	Type	SCI		
CDS Bytes	120	Report Options	BOTH	Scan Platform	Yes
CDS Source	OAP	Spin State	DUAL	DMS	Yes
Observation Objective					
	Southern aurora (nightside). Observe color ratios for H2 band particle energies. Interspersed with SSI during cruise solar occultation observation.				
	Recorded observation for 0.5 hours; N/G full-scan on darkside. Distance from Jupiter = 92 Rj. 1.834560 raw MBTG (3:1 = 0.611520 MBTG) using 427 tics.				
	Last cn/ck = TBD.				
[NOTE: Charged 2 MBTG for participation in siturn; also, ~5 MBTG must be charged to UVS for pause playback during cross cal in C10B of which ~4.2 will come from UVS AWG and ~0.2 from UVS SWG.]					
Design Detail					
PSID	CDS	RIM	COMMAND	PARAMETER	
384AQ	00	00	COMMT	UVS RIM 0	
157AV	38	01	CMDRS	PLAN_DUR = 31 RIMS; EST_UVS_CMDS = 2	
		02		1 34UVS/UVN:07,SCAN,NORM,NORM,NORM,SAME,0,OFF,ON,ON,ON,OFF,NOOVR,1,2C,9D,00,00	
		32		31 34UVS/OFF:C1,FIXED,NORM,NORM,NORM,SAME,0,OFF,OFF,ON,OFF,OFF,NOOVR,1,2C,05,00,00	
165AV	27	02	TARGET	subsc pt; cone_off=-2.5, xcone_off=-10.0 (RA/Dec = 143.62/14.29)	
117AV	37	02	CSMOS	TBD slews across south polar region (maintain arc in slit)	
175AV	18	02	SCIREC	MODE_RATE = R7, DUR = 30 RIMS, REC_FMT = LPW	
305AV	00	02	SELECT	INSTR=UVS2, COMPR=RICE, CMPR_DVSR=3.0, CMPR_UNC=0.0	
300AV	00	32	DESELC	INSTR = UVS2	



Start UTC_TIME : 1997-279 // 00:46:13.998
 No End Time ;
 Start SCLK : 1/04160937:00:0:0

Target Body : JUPITER
 Target Cone/Clock : 7.69 / 81.82 Deg
 S/C to Body Center : 6624098. Km (92.6555098 Ri)
 Z-axis Pointing (Ra / Dec) : 137.25 / 19.00 Deg

Note: 75TRP angles platform back - from on S axis