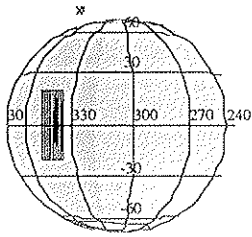


Activity ID:	Orbit E6	OAPEL	JUDRKMAP	SeqNo	01-
Title	Darkside Map			Instrument	UVS
Requestor	UVS-AWG/W. KENTTOBISKA	Team	UVS	Working Group	AWG
Time System	CDS	Load ID		Calendar Date	02/18/97
				Week	8
Start	JEE-CDS 2794:00:0		97-049/21:47:49.934		JEE-001/23:05:02.666
End	JEE-CDS 2610:00:0		97-050/00:53:52.600		JEE-001/19:59:00.000
Duration	00000184:00:0		000/03:06:02.666		000/03:06:02.666
Top Label	E6JUDRKMAP01-				
Bottom Label	realtime				
Plot Key	UVS	Type	SCI		
CDS Bytes	371	Report Options	BOTH	Scan Platform	Yes
CDS Source	OAP	Spin State	DUAL	DMS	No
Observation Objective					
<div style="border: 1px solid black; width: 200px; height: 150px; display: inline-block; vertical-align: top;"></div> <p>Global mapping of darkside equatorial H Ly-a.</p> <p>Realtime observation at 10 bps for 3.0 hours; G/G Ly-a 88 step 2 position miniscan. 10 RIMS UVS OFF/FIXED every 30 RIMS for PWS. Expect RTSFMT = F. Distance from Jupiter = 26 Rj.</p> <p>Last cn/ck = TBD.</p>					
Design Detail					
<pre> PSID CDS RIM COMMAND PARAMETERS 384AA 00 00 COMMNT UVS RIM 0 61AA 28 02+LOOPER DUR = 30 RIMS; REPEAT = 6 349AA 28 03+UVFLSH DISCRD,UVS 157AA 38 03 CMDRS PLAN_DUR = 21 RIMS; EST_UVS_CMDS = 2 04 1 34UVS/UVG:DF, FIXED, NORM, NORM, NORM, SAME, 0, OFF, OFF, ON, ON, OFF, NOOVR, 1, 2C, 7D, 00, 2C 24 21 34UVS/OFF:C1, FIXED, NORM, NORM, NORM, SAME, 0, OFF, OFF, ON, OFF, OFF, NOOVR, 1, 2C, 05, 00, 00 165AA 36 04 TARGET Lat/lon = 0/346 (sit and stare - no TMC) (RA/Dec = 222.01/-18.23) 117AA 37 04 CSMOS 1 subcsmos; 5 slews on darkside 349AB 28 23+UVFLSH PACKET,UVS (1) 349AC 28 53+UVFLSH PACKET,UVS (2) 349AD 28 83+UVFLSH PACKET,UVS (3) 349AE 28 113+UVFLSH PACKET,UVS (4) 349AF 28 143+UVFLSH PACKET,UVS (5) 165AB 36 154 TARGET RA/Dec = 229.18/-21.64 to torus background off planet 349AG 28 173+UVFLSH PACKET,UVS (6) </pre>					



165AA:TT= 0 TMC= 1 C= 0.00 XC= 0.00 BS= 0/1326 TC= 1(0 346)
 A= 728 pD= 182 SR=17.450 RA50=222.01 DEC50=-18.23 cone= 97.33 clock= 93.83
 117AA:#SB= 1 OR= 0.010 RR=12.000 BM=F RC= 1 BS= 0/1326
 1:#s= 5 Cs= 0.00 XCs= 0.00 Cr= 7.00 XCr= 0.00 sD= 5278 rD= 182
 165AB:TT= 0 TMC= 1 C= 0.00 XC= 0.00 BS= 0/8626 TC= 15(-21.64 229.18)
 A= 90 pD= 0 SR=17.450 RA50=229.18 DEC50=-21.64 cone=104.75 clock= 92.40

ESIGN G3.0 kent : 1/21/1997 14:17:15

ILE:P.E6JUDRKMAP01

ENTRAL BODY:JUPITER III

INI:m.E6JUDRKMAP01

.PH:/DATA/NAVIO/T-970109-TOUR.NS

ERIAPSIS:

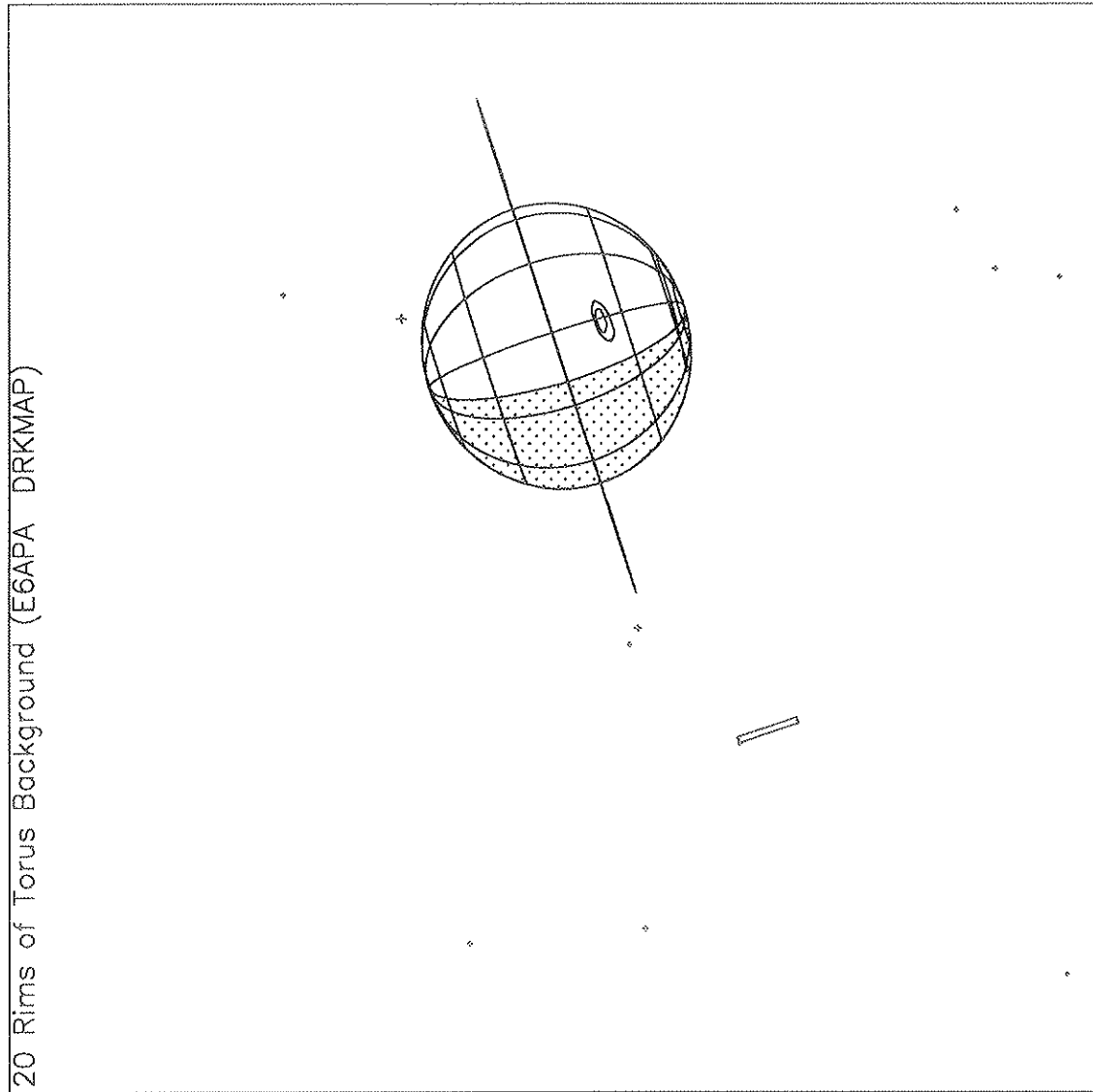
THINNING: :UVS 1

TART:JEE 97-051/20:52:52.600 -CDS 2790:00:0

BODY PLOT TIME:TARGET-TIME D= 0 S= 0.300

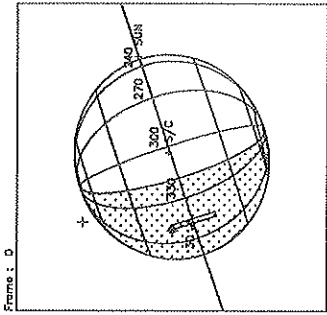
Fri Jun 24 16:35:00 1997

20 Rims of Torus Background (E6APA DRKMAP)

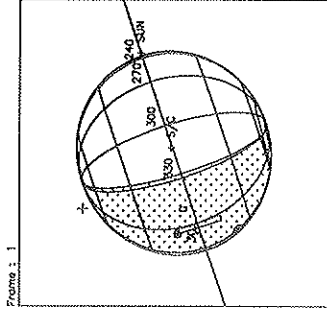


Start UTC_TIME : 1997-050 // 00:23:28.663
No End Time :
Start SCLK : 1/03834778:00:0:0

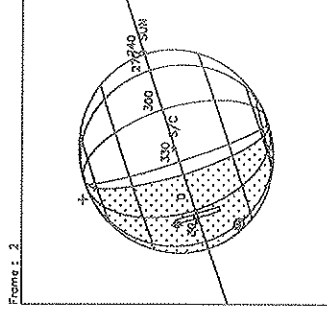
Target Body : JUPITER
Target Cone/Clock : 97.81 / 93.86 Deg
S/C to Body Center : 1763153. Km (24.662237 Rj)
Z-axis Pointing (Ra / Dec) : 130.30 / 18.80 Deg



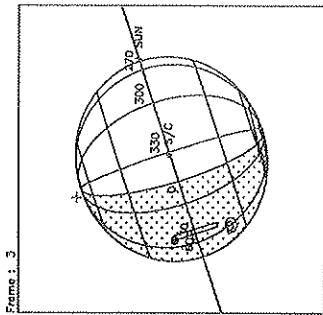
Frame : 0
 UTC : 1997-049 // 21:51:48.668
 SCLK : 1/038346280C00



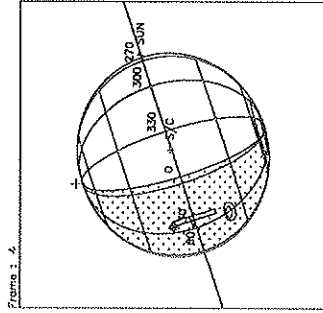
Frame : 1
 UTC : 1997-049 // 22:07:32.372
 SCLK : 1/0383464350055



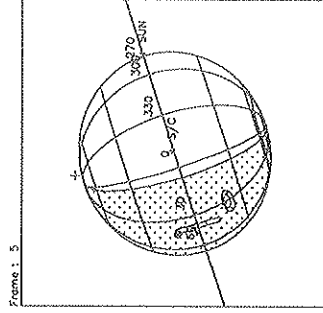
Frame : 2
 UTC : 1997-049 // 22:22:15.076
 SCLK : 1/0383465510011



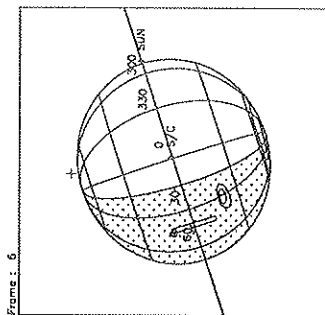
Frame : 3
 UTC : 1997-049 // 22:38:59.780
 SCLK : 1/0383467400056



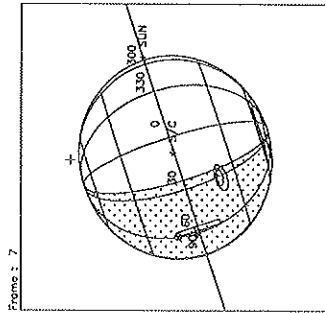
Frame : 4
 UTC : 1997-049 // 22:54:43.464
 SCLK : 1/0383469020212



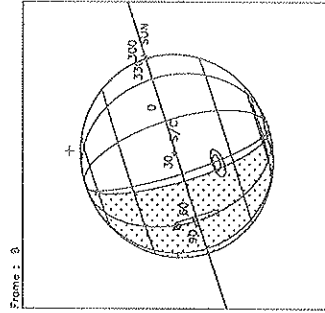
Frame : 5
 UTC : 1997-049 // 23:10:27.188
 SCLK : 1/0383470570077



Frame : 6
 UTC : 1997-049 // 23:26:10.892
 SCLK : 1/0383472130033



Frame : 7
 UTC : 1997-049 // 23:41:54.596
 SCLK : 1/0383473680090

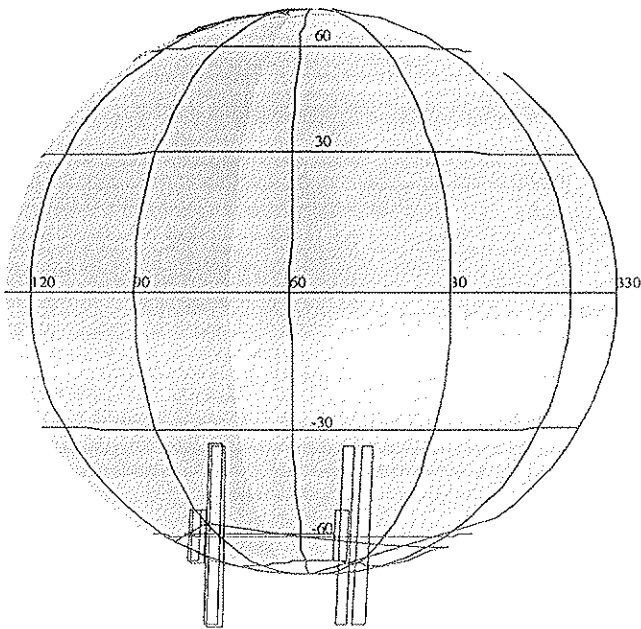


Frame : 8
 UTC : 1997-049 // 23:57:38.300
 SCLK : 1/0383475240044

Start UTC_TIME : 1997-049 // 21:51:48.668
 End UTC_TIME : 1997-050 // 00:13:21.998
 Start SCLK : 1/03834628:00:0:0
 Delta Time between FOV : 943.7040
 FOVs : N/G Channel(0.5x0.5)

Target Body : JUPITER
 Target Cone/Clock : 95.86 / 93.86 Deg
 S/C to Body Center : 1829032. Km (25.583727 Ri)
 Z-axis Pointing (Ra / Dec) : 130.30 / 18.80 Deg

Activity ID: Orbit E6		OAPEL JUAURMAP		SeqNo 01-	
Title	Auroral map			Instrument	UVS
Requestor	UVS-AWG/W. KENT TOBISKA	Team	UVS	Working Group	AWG
Time System	CDS	Load ID	E6A	Calendar Date	02/19/97 Week 8
Start	JEE-CDS 2610:00:0		97-050/00:53:52.600		JEE-001/19:59:00.000
End	JEE-CDS 2516:00:0		97-050/02:28:55.267		JEE-001/18:23:57.333
Duration	00000094:00:0		000/01:35:02.667		000/01:35:02.667
Top Label	E6JUAURMAP01-				
Bottom Label	realtime				
Plot Key	UVS	Type	SCI		
CDS Bytes	344	Report Options	BOTH	Scan Platform	Yes
CDS Source	OAP	Spin State	DUAL	DMS	No
Observation Objective					
	Southern auroral map of dayside - nightside asymmetry. NIMS rides along for H3+.				
	Realtime observation at 10 bps for 1.5 hours; F/G full-scan on darkside and 2 RIMS F/F full-scan on brightside followed by G/G full-scan. 10 RIMS UVS OFF/FIXED every 30 RIMS for PWS. Expect RTSFMT = F. Distance from Jupiter = 24 Rj.				
	Last cn/ck = TBD.				
Design Detail					
<pre> PSID CDS RIM COMMAND PARAMETERS 384AB 00 00 COMMNT UVS RIM 0 349AJ 28 03+UVFLSH DISCRD,UVS 157AB 66 03 CMDRS PLAN_DUR = 51 RIMS; EST_UVS_CMDS = 4 04 1 34UVS/UVF: 07, SCAN, NORM, NORM, NORM, SAME, 0, ON, OFF, ON, ON, OFF, NOOVR, 1, 00, 9C, 01, 2C 24 21 34UVS/OFF: C1, FIXED, NORM, NORM, NORM, SAME, 0, OFF, OFF, ON, OFF, OFF, NOOVR, 1, 2C, 05, 00, 00 34 31 34UVS/UVF: 07, SCAN, NORM, NORM, NORM, SAME, 0, ON, OFF, ON, ON, OFF, NOOVR, 1, 00, 9C, 01, 2C 54 51 34UVS/OFF: C1, FIXED, NORM, NORM, NORM, SAME, 0, OFF, OFF, ON, OFF, OFF, NOOVR, 1, 2C, 05, 00, 00 165AC 36 04 TARGET Lat/lon = -60/100 (sit and stare - no TMC) (RA/Dec = 223.21 -20.56) 117AB 50 04 CSMOS 2 subcsmos; 2 slews during darkside, 1 during brightside 349AK 28 23+UVFLSH PACKET,UVS (1) 349AL 28 53+UVFLSH PACKET,UVS (2) 157AC 52 60 CMDRS PLAN_DUR = 23 RIM; EST_UVS_CMDS = 3 61 1 34UVS/UVF: 07, SCAN, NORM, NORM, NORM, SAME, 0, ON, OFF, OFF, ON, OFF, NOOVR, 1, 00, 9C, 00, 00 63 3 34UVS/UVG: 07, SCAN, NORM, NORM, NORM, SAME, 0, OFF, OFF, ON, ON, OFF, NOOVR, 1, 2C, 9D, 00, 00 </pre>					



165AC:TT= 0 TMC= 1 C= 0.00 XC= 0.00 BS= 0/4814 TC= 1(-60 100)
 A= 728 pD= 182 SR=17.450 RA50=223.21 DEC50=-20.56 cone= 99.10 clock= 91.91
 117AB:#SB= 2 OR= 0.010 RR=12.000 BM=F RC= 1 BS= 0/4814
 1:#s= 2 Cs= 0.00 XCs= 0.00 Cr= 8.00 XCr= 0.00 sD= 4550 rD= 182
 2:#s= 1 Cs= 0.00 XCs= 0.00 Cr= -13.00 XCr= 0.00 sD= 4186 rD= 364

ESIGN G3.0 kent : 1/21/1997 14:18:16

ILE:P.E6JUAURMAP01

ENTRAL BODY:JUPITER III

INI:m.E6JUAURMAP01

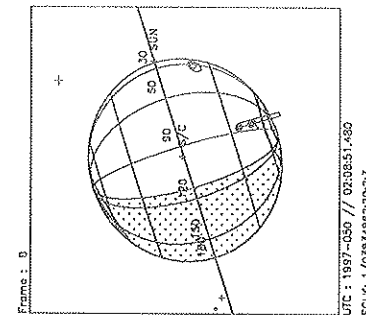
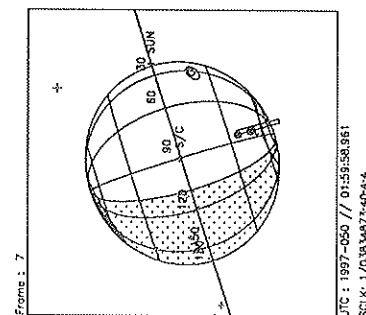
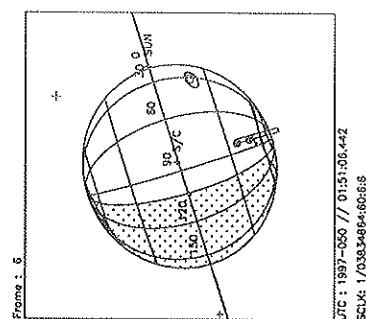
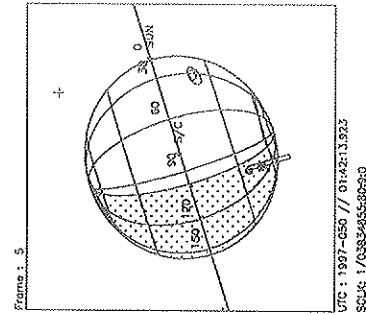
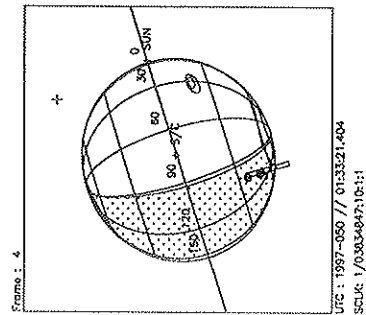
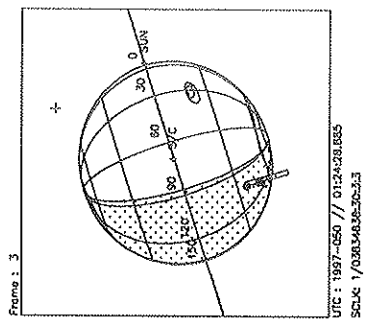
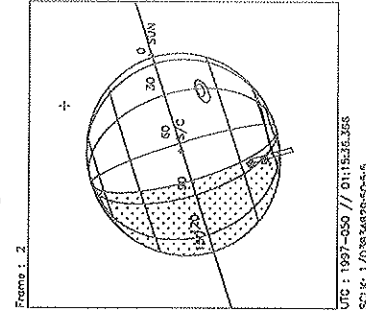
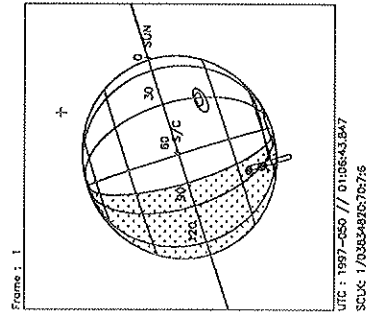
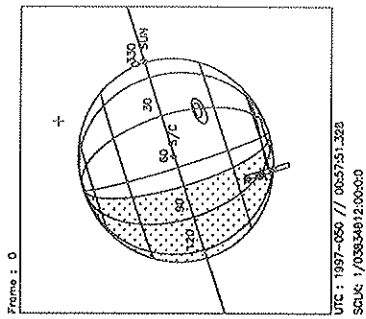
.PH:/DATA/NAVIO/T-970109-TOUR.NS

ERIAPSIS:

THINNING: :UVS 1

TART:JEE 97-051/20:52:52.600 -CDS 2606:00:0

BODY PLOT TIME:TARGET-TIME D= 182 S= 0.800



Start UTC_TIME : 1997-050 // 00:57:51.328
 End UTC_TIME : 1997-050 // 02:17:43.992
 Start SCLK : 1/03834812:00:00
 Delta Time between FOV : 532.5190
 FOVs : F Channel(0.1x0.4), N/G Channel(0.5x0.5)

Target Body : JUPITER
 Target Cone/Clock : 98.27 / 93.86 Deg
 S/C to Body Center : 1748056. Km (24.451073 Rj)
 Z-axis Pointing (Ra / Dec) : 130.30 / 18.80 Deg

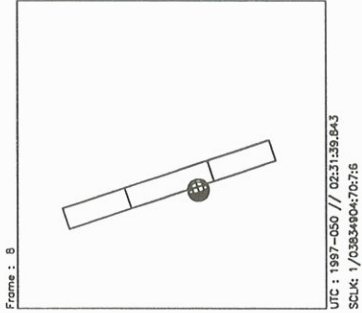
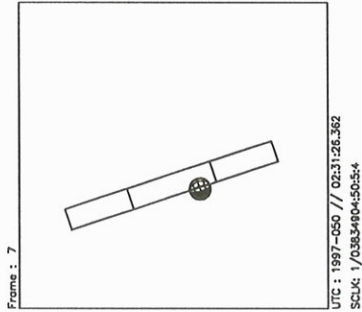
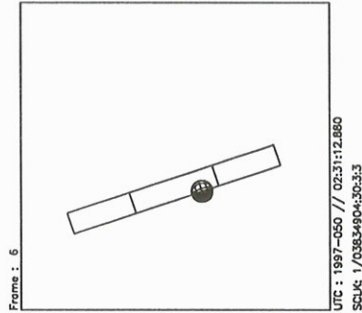
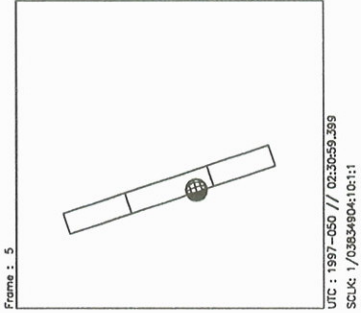
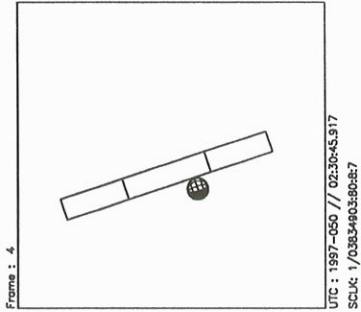
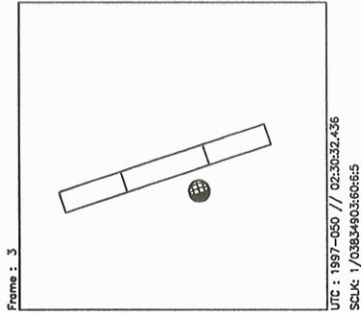
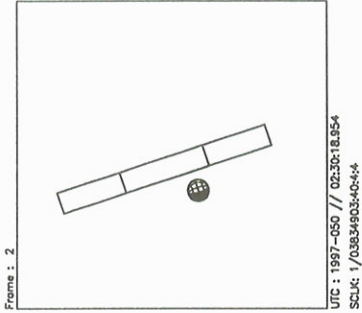
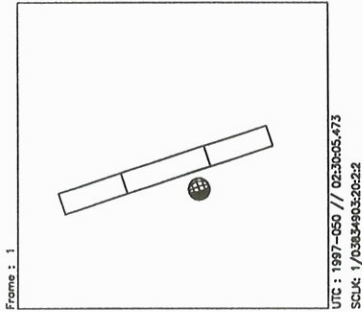
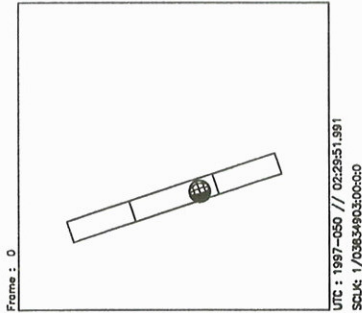
Activity ID: Orbit E6	OAPEL IUPLUMON	SeqNo 24+
Title SSI/UVS Io PELE	Instrument UVS	
Requestor UVS-AWG/W. KENT TOBISKA	Team UVS	Working Group AWG
Time System CDS	Load ID E6A	Calendar Date 02/19/97 Week 8
Start JEE-CDS 2519:00:0	97-050/02:25:53.267	JEE-001/18:26:59.333
End JEE-CDS 2513:00:0	97-050/02:31:57.267	JEE-001/18:20:55.333
Duration 00000006:00:0	000/00:06:04.000	000/00:06:04.000
Top Label E6IUPLUMON24+		
Bottom Label recorded		
Plot Key UVS	Type SCI	
CDS Bytes 75	Report Options BOTH	Scan Platform No
CDS Source OAP	Spin State DUAL	DMS No
Observation Objective		
<p>To plume monitor campaign ridealong with SSI 1x3 (E6ISPELE_01) in VLT, GRN, RED. This observation occurs after the E6JUAURMAP01.</p> <p>Recorded LRS within SSI hi-rate OCM record for 40 mf; F/G 48-step miniscan on Io to obtain SO₂ band emissions in MUV centered at 2801+/-70 and S FUV at 1455+/-35 (1429, 1435, 1479) A. Return active plume and off plume data. Distance from Io = 2109000 km. Distance from Jupiter = 24 Rj.</p> <p>Last cn/ck = TBD.</p> <p>[Note: possible change to MUV: 2350-2730 SO emission?]</p> <p><i>SSI Image ~ 1 min (6x6)</i></p>		
Design Detail		
<pre> PSID CDS RIM COMMAND PARAMETERS 384AC 00 00 COMMNT UVS RIM 0 157AD 38 03 CMDRS PLAN_DUR = 2 RIMS; EST_UVS_CMDS = 2 04 1 34UVS/UVF:DB, FIXED, NORM, NORM, NORM, SAME, 0, ON, OFF, ON, ON, OFF, NOOVR, 1, 68, 6D, 00, 7F 06 3 34UVS/OFF:C1, FIXED, NORM, NORM, NORM, SAME, 0, OFF, OFF, ON, OFF, OFF, NOOVR, 1, 2C, 05, 00, 00 165JK 00 03+TARGET Io s/c subpt (IEE-CDS 1995:00:0) (final RA/Dec = 220.58/-17.65) 118JK 00 03+SMOS Blockshift = 1:01:0 175IA 00 04+SCIREC Blockshift = 51 mf, dur = 40 mf, rate = R115 (IEE-CDS 1991:00:0/BS 51) 117AC 37 04+CSMOS Blockshift = 68 mf, plan_dur = 0:25:0, obs_slew_rate = 0.41, cn_del_s = 5.0, strip_dur = +cds 0:23:0, strips = 1, 1 slew across Io for 23 mf 305AA 00 04+SELECT INSTR = UVS2, COMPR = RICE, CMPR_DVSR = 2.0, CMPR_UNC = 0.0 (-cds 2514:44:0) 300AA 00 05 DESELC INSTR = UVS2 (-cds 2514:00:0) </pre>		

I₀ Plume Mon.

J Feb 12 17:17:12 1997

Page 1 of 1

*EGAPC
EGIV PLUMON 24*



Start UTC_TIME : 1997-050 // 02:29:51.991
End UTC_TIME : 1997-050 // 02:31:53.325
Start SCLK : 1/03834903:00:00
Delta Time between FOV : 1.348148
FOVs : F Channel(0.1x0.4), N/G Channel(0.5x0.5)

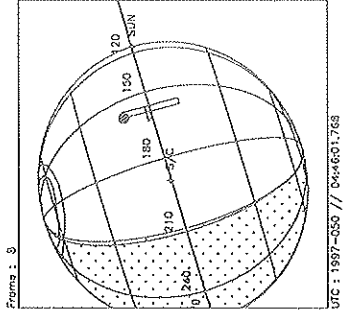
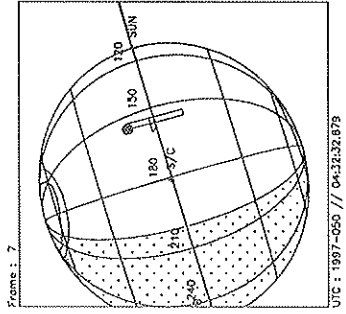
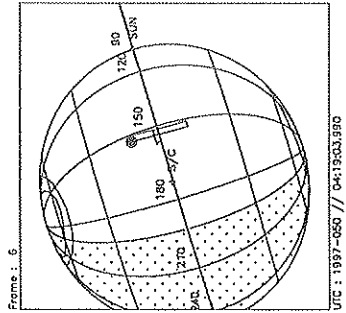
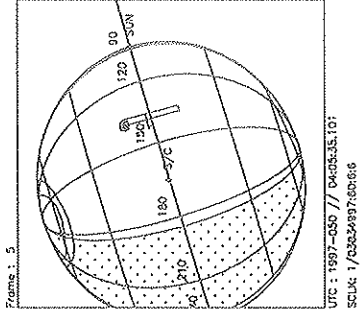
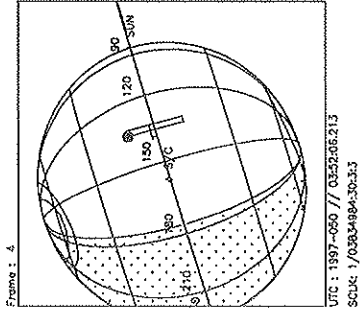
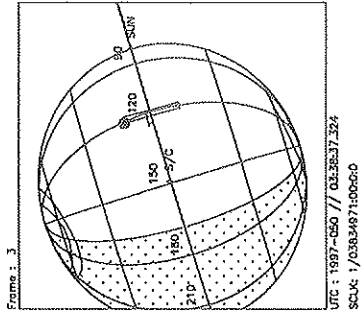
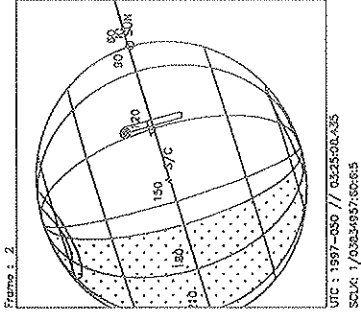
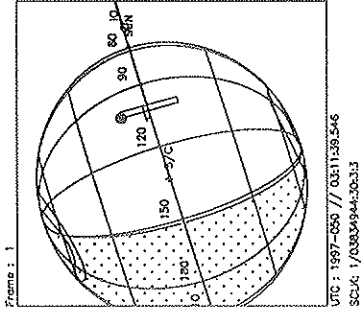
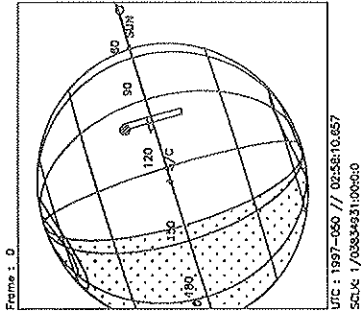
Target Body : IO
Target Cone/Clock : 95.76 / 93.86 Deg
S/C to Body Center : 2110623. Km (1156.9179 Ri)
Z-axis Pointing (Ra / Dec) : 130.30 / 18.80 Deg

Brightside map

ACTIVITY ID: E6JUBRTMAP01-

START TIME: 97-050/02:54:11.934

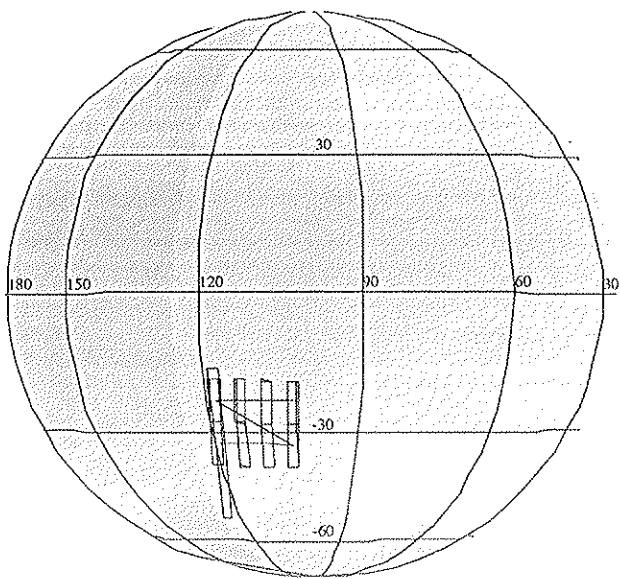
Activity ID: Orbit E6	OAPEL JUBRTMAP	SeqNo 01-
Title Brightside map		Instrument UVS
Requestor UVS-AWG/W. KENT TOBISKA	Team UVS	Working Group AWG
Time System CDS	Load ID E6A	Calendar Date 02/19/97 Week 8
Start JEE-CDS 2491:00:0	97-050/02:54:11.934	JEE-001/17:58:40.666
End JEE-CDS 2337:00:0	97-050/05:29:54.600	JEE-001/15:22:58.000
Duration 00000154:00:0	000/02:35:42.666	000/02:35:42.666
Top Label E6JUBRTMAP01-		
Bottom Label realtime		
Plot Key UVS	Type SCI	
CDS Bytes 307	Report Options BOTH	Scan Platform Yes
CDS Source OAP	Spin State DUAL	DMS No
Observation Objective		
	FUV equatorial dayglow observation.	
	Realtime observation at 10 bps for 2.5 hours; G/G 24 step 2 position miniscan covering 1260-1333 A and 1448-1521 A in first order. 10 RIMS UVS OFF/FIXED every 30 RIMS for PWS. Expect RTSFMT = F & A. Distance from Jupiter = 23 Rj.	
	Last cn/ck = TBD.	
Design Detail		
<pre> PSID CDS RIM COMMAND PARAMETERS 384AD 00 00 COMMNT UVS RIM 0 61AB 28 02+LOOPER DUR = 30 RIMS; REPEAT = 5 349AO 28 03+UVFLSH DISCRD, UVS 157AE 38 03 CMDRS PLAN_DUR = 21 RIMS; EST_UVS_CMDS = 2 04 1 34UVS/UVG: D5, FIXED, NORM, NORM, NORM, SAME, 0, OFF, OFF, ON, ON, OFF, NOOVR, 1, 29, 54, 04, 3B 24 21 34UVS/OFF: C1, FIXED, NORM, NORM, NORM, SAME, 0, OFF, OFF, ON, OFF, OFF, NOOVR, 1, 2C, 05, 00, 00 165AD 36 04 TARGET Lat/lon = 0/100 (no TMC) (RA/Dec = 223.49/-18.64) 117AD 37 04 CSMOS 1 subcsmos; 5 slews on brightside 349AP 28 23+UVFLSH PACKET, UVS (1) 349AQ 28 53+UVFLSH PACKET, UVS (2) 349AR 28 83+UVFLSH PACKET, UVS (3) 349AS 28 113+UVFLSH PACKET, UVS (4) 349AT 28 143+UVFLSH PACKET, UVS (5) </pre>		



Start UTC_TIME : 1997-050 // 02:58:10.657
 End UTC_TIME : 1997-050 // 04:59:30.652
 Start SCLK : 1/03834931:00:0:0
 Delta Time between FOV : 808.8889
 FOVs : N/C Channel(0.5x0.5)

Target Body : JUPITER
 Target Cone/Clock : 99.95 / 93.85 Deg
 S/C to Body Center : 169473. Km (23.705303 Rj)
 Z-axis Pointing (Ro / Dec) : 130.30 / 18.80 Deg

Activity ID: Orbit E6		OAPEL JUFTKR1E		SeqNo 21-	
Title White oval Feature Track		Instrument UVS			
Requestor UVS-AWG/W. KENT TOBISKA		Team UVS		Working Group AWG	
Time System CDS	Load ID E6A	Calendar Date 02/19/97	Week 8		
Start JEE-CDS 1929:00:0	97-050/12:22:26.600		JEE-001/08:30:26.000		
End JEE-CDS 1912:00:0	97-050/12:39:37.934		JEE-001/08:13:14.666		
Duration 00000017:00:0	000/00:17:11.334		000/00:17:11.334		
Top Label E6JUFTKR1E21-					
Bottom Label realtime					
Plot Key UVS	Type SCI				
CDS Bytes 403	Report Options BOTH		Scan Platform No		
CDS Source OAP	Spin State DUAL		DMS No		
Observation Objective					
<p>AWG white oval BC feature track (-33/104 lat/lon) (JEE epoch), rotation 1, solar phase angle 64 deg, emission angle 2; follows SSI (E6JSWHTOVL01) 4x2.</p> <p>Realtime observation; full F/F scan and setup for G/G 176 step miniscan for hydrocarbons between 1496-1755 A. Expect RTSPMT = A. Distance from Jupiter = 20 Rj.</p> <p>Last cn/ck = TBD.</p> <p>[NOTE: white ovals at 135.4, 113.7, 91.5 from IRTF on Dec 17-20]</p>					
Design Detail					
<pre> PSID CDS RIM COMMAND PARAMETERS 384AE 00 00 COMMNT UVS RIM 0 349AU 28 -01+UVFLSH DISCRD,UVS 157AF 52 00 CMDRS PLAN_DUR = 24 RIMS; EST_UVS_CMDS = 3 01 1 34UVS/UVF: 07, SCAN, NORM, NORM, NORM, SAME, 0, ON, OFF, OFF, ON, OFF, NOOVR, 1, 00, 9C, 00, 00 17 17 34UVS/UVG: E3, FIXED, NORM, NORM, NORM, SAME, 0, OFF, OFF, ON, ON, OFF, NOOVR, 1, 1A, 8E, 00, 00 24 24 34UVS/OFF: C1, FIXED, NORM, NORM, NORM, SAME, 0, OFF, OFF, ON, OFF, OFF, NOOVR, 1, 2C, 05, 00, 00 165AE 36 01 TARGET Lat/Lon = -23/103 (RA/Dec = 234.47/-22.52) 117AE 63 01 CSMOS 3 subcsmos; 4 slews, 1 repo, 3 slews 349AV 28 01+UVFLSH PACKET,UVS (1) 349AW 28 03+UVFLSH PACKET,UVS (2) 349AX 28 05+UVFLSH PACKET,UVS (3) 349AY 28 07+UVFLSH PACKET,UVS (4) 349AZ 28 09+UVFLSH PACKET,UVS (5) 349LA 28 11+UVFLSH PACKET,UVS (6) 349LB 28 13+UVFLSH PACKET,UVS (7) 349LC 28 15+UVFLSH PACKET,UVS (8) </pre>					



ESIGN G3.0 kent : 1/21/1997 14:20:54

FILE:P.E6JUFTKR1E21

CENTRAL BODY:JUPITER III

NAME:m.E6JUFTKR1E21

FILE:PH:/DATA/NAVIO/T-970109-TOUR.NS

PERIAPSIS:

START:JEE 97-051/20:52:52.600 -CDS 1928:00:0

165AE:TT= 0 TMC= 1 C= 0.00 XC= 0.00 BS= 0/8210 TC= 1(-23 103)
 A= 182 pD= 182 SR=17.450 RA50=234.47 DEC50=-22.52 cone=109.73 clock= 92.73
 117AE:#SB= 3 OR= 1.000 RR=12.000 BM=F RC= 1 BS= 0/8210
 1:#s= 4 Cs= 0.00 XCs= 0.00 Cr= 4.00 XCr= 0.00 sD= 272 rD= 92
 2:#s= 1 Cs= 0.00 XCs= 0.00 Cr= -13.00 XCr= -7.00 sD= 272 rD= 92
 3:#s= 3 Cs= 0.00 XCs= 0.00 Cr= 4.00 XCr= 0.00 sD= 272 rD= 92

THINNING: :UVS 1

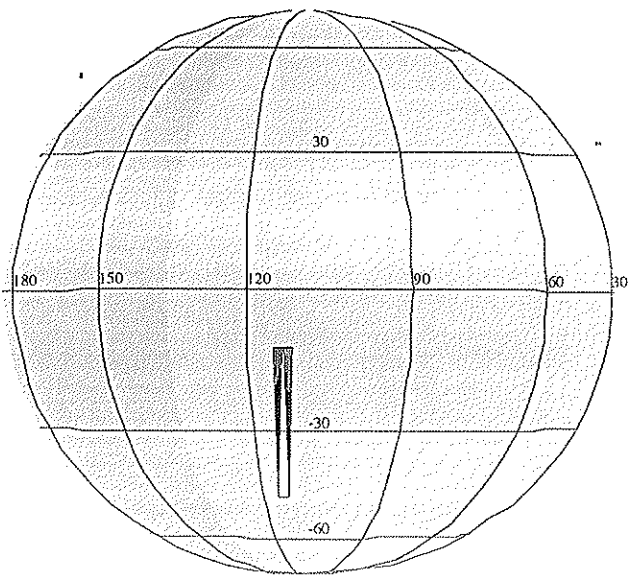
BODY PLOT TIME:TARGET-TIME D= 182 S= 0.800

White oval Feature Track

ACTIVITY ID: E6JUFTKR1E22-

START TIME: 97-050/12:39:37.934

Activity ID: Orbit E6	OAPEL JUFTKR1E	SeqNo 22-
Title White oval Feature Track		Instrument UVS
Requestor UVS-AWG/W. KENT TOBISKA	Team UVS	Working Group AWG
Time System CDS	Load ID E6A	Calendar Date 02/19/97 Week 8
Start JEE-CDS 1912:00:0	97-050/12:39:37.934	JEE-001/08:13:14.666
End JEE-CDS 1905:00:0	97-050/12:46:42.600	JEE-001/08:06:10.000
Duration 00000007:00:0	000/00:07:04.666	000/00:07:04.666
Top Label E6JUFTKR1E22-		
Bottom Label realtime		
Plot Key UVS	Type SCI	
CDS Bytes 64	Report Options BOTH	Scan Platform No
CDS Source OAP	Spin State DUAL	DMS No
Observation Objective		
<p>AWG white oval BC feature track (-33/104 lat/lon) (JEE epoch), rotation 1, solar phase angle 64 deg, emission angle 2.</p> <p>Realtime observation; G/G 176 step miniscan for hydrocarbons between 1496-1755 A. Expect RTSFMT = A. Distance from Jupiter = 20 Rj.</p> <p>Last cn/ck = TBD.</p> <p>[NOTE: white ovals at 135.4, 113.7, 91.5 from IRTF on Dec 17-20]</p>		
Design Detail		
<pre> PSID CDS RIM COMMAND PARAMETERS 384AF 00 00 COMMENT UVS RIM 0 165AF 36 00 TARGET Lat/Lon = -28/113.4 (RA/Dec = 234.80/-22.81) 349LD 28 06+UVFLSH PACKET,UVS (9) </pre>		



165AF:TT= 0 TMC= 1 C= 0.00 XC= 0.00 BS= 0/1122 TC= 1(-28 113.4)
 A= 92 pD= 182 SR=17.450 RA50=234.80 DEC50=-22.81 cone=110.09 clock= 92.49

ESIGN G3.0 kent : 1/21/1997 14:21:40

FILE:P.E6JUFTKR1E22

CENTRAL BODY:JUPITER III

INI:m.E6JUFTKR1E22

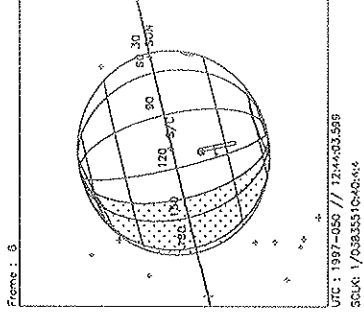
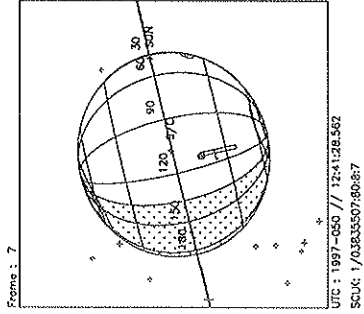
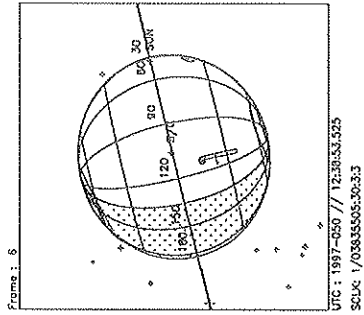
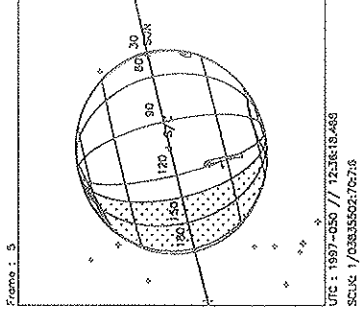
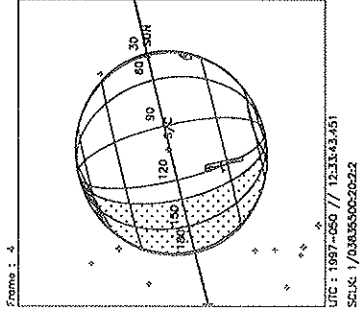
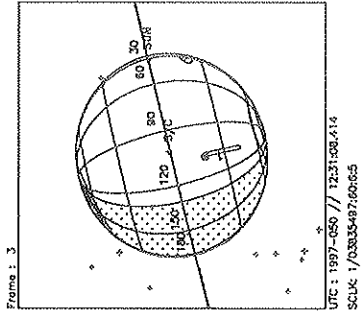
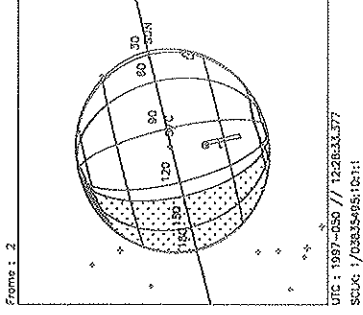
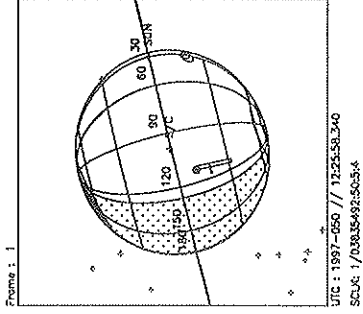
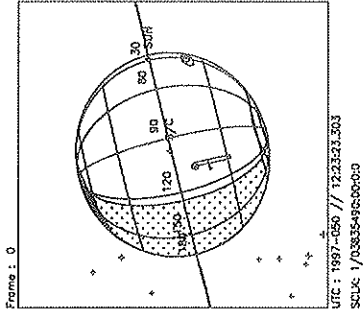
PH:/DATA/NAVIO/T-970109-TOUR.NS

ERIAPSIS:

THINNING: :UVS 1

TART:JEE 97-051/20:52:52.600 -CDS 1912:00:0

BODY PLOT TIME:TARGET-TIME D= 182 S= 0.800



Start UTC_TIME : 1997-050 // 12:23:23.303
End UTC_TIME : 1997-050 // 12:46:38.635
Start SCLK : 1/03835490:00:00
Delta Time between FOV : 155.0370
FOVs : N/G Channel(0.5x0.5)

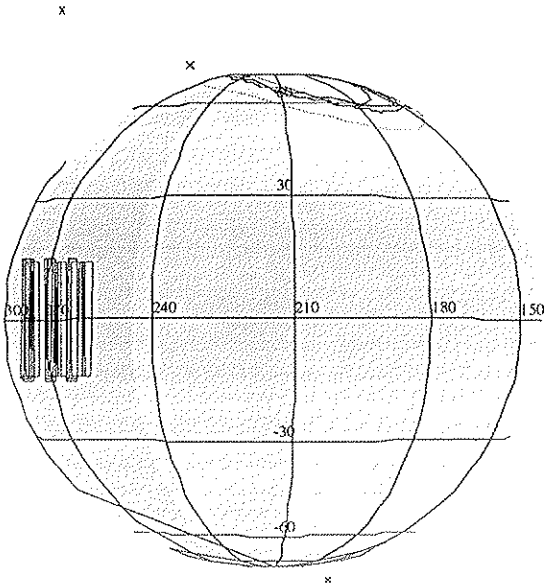
Target Body : JUPITER
Target Cone/Clock : 109.57 / 93.84 Deg
S/C to Body Center : 1434490, Km (20.065047 Rj)
Z-axis Pointing (Ro / Dec) : 130.30 / 18.80 Deg

Fixed local time map

ACTIVITY ID: E6JUFIXTMD01-

START TIME: 97-050/15:36:34.600

Activity ID: Orbit E6		OAPEL JUFIXTMD		SeqNo 01-	
Title	Fixed local time map			Instrument	UVS
Requestor	UVS-AWG/W. KENT TOBISKA	Team	UVS	Working Group	AWG
Time System	CDS	Load ID	E6A	Calendar Date	02/19/97 Week 8
Start	JEE-CDS 1737:00:0		97-050/15:36:34.600		JEE-001/05:16:18.000
End	JEE-CDS 1553:00:0		97-050/18:42:37.267		JEE-001/02:10:15.333
Duration	00000184:00:0		000/03:06:02.667		000/03:06:02.667
Top Label	E6JUFIXTMD01-				
Bottom Label	realtime				
Plot Key	UVS	Type	SCI		
CDS Bytes	335	Report Options	BOTH	Scan Platform	Yes
CDS Source	OAP	Spin State	DUAL	DMS	No
Observation Objective					
	Global mapping of darkside equatorial H Ly-a.				
	Realtime observation at 10 bps for 3.0 hours; G/G Ly-a 88 step 2 position miniscan. 10 RIMs UVS OFF/FIXED every 30 RIMs for PWS. Expect RTSFMT = A & E. Distance from Jupiter = 18 Rj.				
	Last cn/ck = TBD.				
Design Detail					
PSID CDS RIM COMMAND PARAMETERS					
384AH 00 00 COMMNT UVS RIM 0					
61AC 28 02+LOOPER DUR = 30 RIMS; REPEAT = 6					
349LE 28 03+UVFLSH DISCRD,UVS					
157AG 38 03 CMDRS PLAN_DUR = 21 RIMS; EST_UVS_CMDS = 2					
04 1					
34UVS/UVG: DF, FIXED, NORM, NORM, NORM, SAME, 0, OFF, OFF, ON, ON, OFF, NOOVR, 1, 2C, 7D, 00, 2C					
24 21					
34UVS/OFF: C1, FIXED, NORM, NORM, NORM, SAME, 0, OFF, OFF, ON, OFF, OFF, NOOVR, 1, 2C, 05, 00, 00					
165AG 36 04 TARGET Lat/lon = 0/277 (sit and stare - no TMC) (RA/Dec = 241.98/-22.94)					
117AG 37 04 CSMOS 1 subcsmos; 6 slews on darkside					
349LF 28 23+UVFLSH PACKET,UVS (1)					
349LG 28 53+UVFLSH PACKET,UVS (2)					
349LH 28 83+UVFLSH PACKET,UVS (3)					
349LI 28 113+UVFLSH PACKET,UVS (4)					
349LJ 28 143+UVFLSH PACKET,UVS (5)					
349LK 28 173+UVFLSH PACKET,UVS (6)					



165AG:TI= 0 TMC= 1 C= 0.00 XC= 0.00 BS= 0/3700 TC= 1(0 277)
 A= 728 pD= 182 SR=17.450 RA50=241.98 DEC50=-22.94 cone=116.59 clock= 93.79
 117AG:#SB= 1 OR= 0.010 RR=12.000 BM=F RC= 1 BS= 0/3700
 1:#s= 6 Cs= 0.00 XCs= 0.00 Cr= 13.50 XCr= 0.00 sD= 5278 rD= 182

ESIGN G3.0 kent : 1/21/1997 14:23:24

ILE:P.E6JUFIXTMD01

ENTRAL BODY:JUPITER III

INI:m.E6JUFIXTMD01

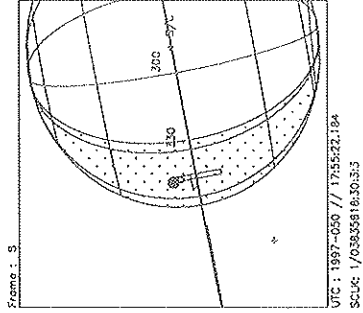
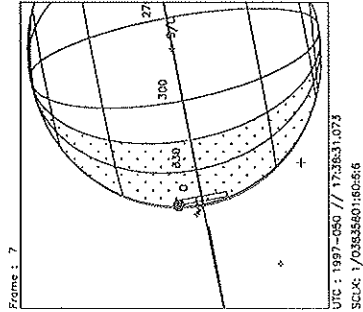
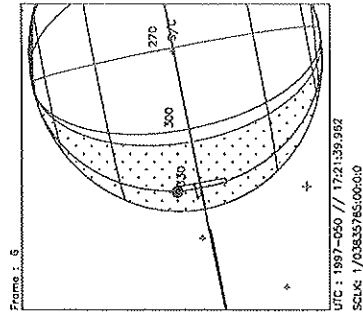
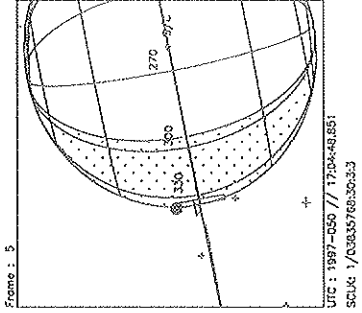
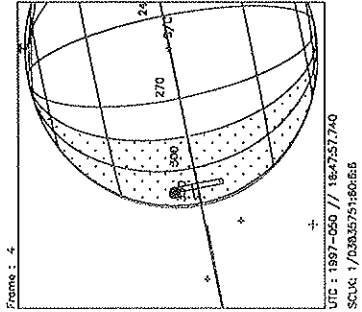
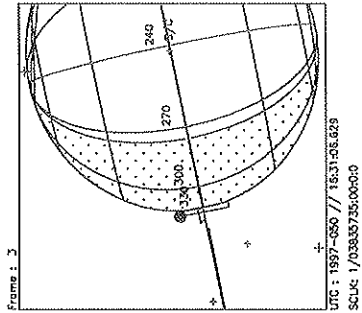
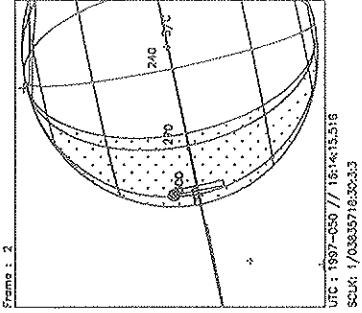
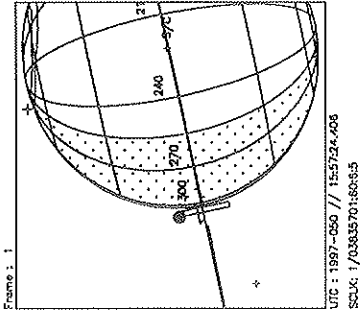
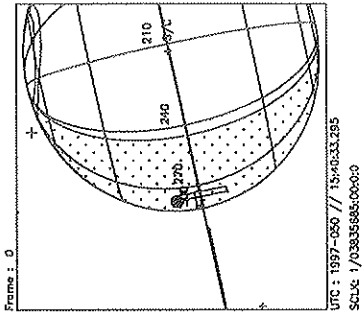
PH:/DATA/NAVIO/T-970109-TOUR.NS

ERIAPSIS:

THINNING: :UVS 1

TART:JEE 97-051/20:52:52.600 -CDS 1733:00:0

BODY PLOT TIME:TARGET-TIME D= 182 S= 0.700



Start UTC_TIME : 1997-050 // 15:40:33.295
 End UTC_TIME : 1997-050 // 18:12:13.290
 Start SCLK : 1/03835685:00:00
 Delta Time between FOV : 1011.111
 FOVs : N/G Channel(0.5x0.5)

Target Body : JUPITER
 Target Cone/Clock : 113.81 / 93.83 Deg
 S/C to Body Center : 1340192. Km (18.746044 Rj)
 Z-axis Pointing (Ra / Dec) : 130.30 / 18.80 Deg

Activity ID: Orbit E6	OAPEL JUFTKR2E	SeqNo 11-
Title White oval Feature Track		Instrument UVS
Requestor UVS-AWG/W.KENTTOBISKA	Team UVS	Working Group AWG

Time System CDS	Load ID E6A	Calendar Date 02/19/97	Week 8
Start JEE-CDS 1343:00:0	97-050/22:14:57.267	JEE-000/22:37:55.333	
End JEE-CDS 1326:00:0	97-050/22:32:08.600	JEE-000/22:20:44.000	
Duration 00000017:00:0	000/00:17:11.333	000/00:17:11.333	

Top Label E6JUFTKR2E11-		
Bottom Label realtime		
Plot Key UVS	Type SCI	
CDS Bytes 403	Report Options BOTH	Scan Platform No
CDS Source OAP	Spin State DUAL	DMS No

Observation Objective

AWG white oval BC feature track (-33/104 lat/lon) (JEE epoch), rotation 2, solar phase angle 48 deg, emission angle 1; follows SSI (E6JSWHTOVL02) 4x2.

Realtime observation; full F/F scan and setup for G/G 176 step miniscan for hydrocarbons between 1496-1755 A. Expect RTSFMT = A. Distance from Jupiter = 15 Rj.

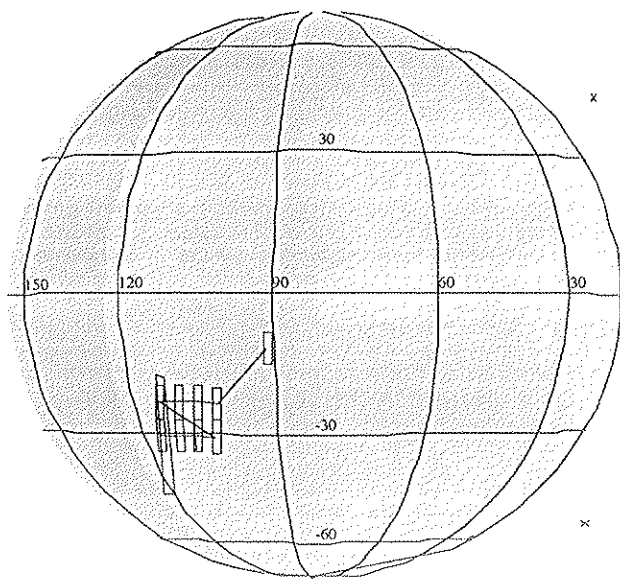
Last cn/ck = TBD.

[NOTE: white ovals at 135.4, 113.7, 91.5 from IRTF on Dec 17-20]

Design Detail

```

PSID  CDS  RIM  COMMAND  PARAMETERS
384AI  00  00  COMMENT  UVS RIM 0
349LL  28  -01+UVFLSH  DISCRD,UVS
157AH  52  00  CMDRS   PLAN_DUR = 25 RIMS; EST_UVS_CMDS = 3
          01          1
34UVS/UVF: 07, SCAN, NORM, NORM, NORM, SAME, 0, ON, OFF, OFF, ON, OFF, NOOVR, 1, 00, 9C, 00, 00
          17          17
34UVS/UVG: E3, FIXED, NORM, NORM, NORM, SAME, 0, OFF, OFF, ON, ON, OFF, NOOVR, 1, 1A, 8E, 00, 00
          25          25
34UVS/OFF: C1, FIXED, NORM, NORM, NORM, SAME, 0, OFF, OFF, ON, OFF, OFF, NOOVR, 1, 2C, 05, 00, 00
165AH  36  01  TARGET  Lat/Lon = -23/101.5 (RA/Dec = 251.52/-25.54)
117AH  63  01  CSMOS   3 subcsmos; 4 slews, 1 repo, 3 slews
349LM  28  01+UVFLSH  PACKET,UVS (1)
349LN  28  03+UVFLSH  PACKET,UVS (2)
349LO  28  05+UVFLSH  PACKET,UVS (3)
349LP  28  07+UVFLSH  PACKET,UVS (4)
349LQ  28  09+UVFLSH  PACKET,UVS (5)
349LR  28  11+UVFLSH  PACKET,UVS (6)
349LS  28  13+UVFLSH  PACKET,UVS (7)
349LT  28  15+UVFLSH  PACKET,UVS (8)
        
```



ESIGN G3.0 kent : 1/21/1997 14:39:58

ILE:P.E6JUFTKR2E11

ENTRAL BODY:JUPITER III

INI:m.E6JUFTKR2E11

.PH:/DATA/NAVIO/T-970109-TOUR.NS

ERIAPSIS:

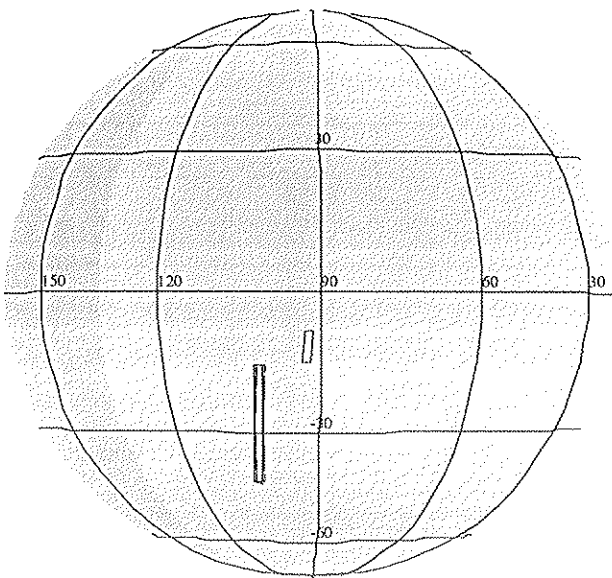
TART:JEE 97-051/20:52:52.600 -CDS 1342:00:0

165AH:TT= 0 TMC= 1 C= 0.00 XC= 0.00 BS= 0/4862 TC= 1(-23 101.5)
 A= 182 pD= 182 SR=17.450 RA50=251.52 DEC50=-25.54 cone=125.57 clock= 92.19
 117AH:#SB= 3 OR= 1.000 RR=12.000 BM=F RC= 1 BS= 0/4862
 1:#s= 4 Cs= 0.00 XC= 0.00 Cr= 4.00 XCr= 0.00 sD= 272 rD= 92
 2:#s= 1 Cs= 0.00 XC= 0.00 Cr= -12.00 XCr= -7.00 sD= 272 rD= 92
 3:#s= 3 Cs= 0.00 XC= 0.00 Cr= 4.00 XCr= 0.00 sD= 272 rD= 92

THINNING: :UVS 1

BODY PLOT TIME:TARGET-TIME D= 182 S= 0.800

Activity ID: Orbit E6	OAPEL JUFTKR2E	SeqNo 12+
Title White oval Feature Track		Instrument UVS
Requestor UVS-AWG/W. KENT TOBISKA	Team UVS	Working Group AWG
Time System CDS	Load ID E6A	Calendar Date 02/19/97 Week 8
Start JEE-CDS 1326:00:0	97-050/22:32:08.600	JEE-000/22:20:44.000
End JEE-CDS 1318:00:0	97-050/22:40:13.934	JEE-000/22:12:38.666
Duration 00000008:00:0	000/00:08:05.334	000/00:08:05.334
Top Label E6JUFTKR2E12+		
Bottom Label realtime		
Plot Key UVS	Type SCI	
CDS Bytes 28	Report Options BOTH	Scan Platform No
CDS Source OAP	Spin State DUAL	DMS No
Observation Objective		
	AWG white oval BC feature track (-33/104 lat/lon) (JEE epoch), rotation 2, solar phase angle 48 deg, emission angle 1; ridealong with NIMS (E6JNPFTB4801).	
	Realtime observation; G/G 176 step miniscan for hydrocarbons between 1496-1755 A. Expect RTSFMT = A. Distance from Jupiter = 15 Rj.	
	Last cn/ck = TBD.	
	[NOTE: white ovals at 135.4, 113.7, 91.5 from IRTF on Dec 17-20]	
Design Detail		
PSID CDS RIM COMMAND PARAMETERS		
384AK 00 00 COMMNT UVS RIM 0		
165DK 00 01 TARGET (RA/Dec = 251.94/-25.67)		
349LU 28 07+UVFLSH PACKET,UVS (9)		



x

165ZZ:TT= 0 TMC= 1 C= 0.00 XC= 0.00 BS= 0/7774 TC= 1(-28 102)
 A= 182 pD= 182 SR=17.450 RA50=251.45 DEC50=-25.82 cone=125.53 clock= 91.85

ESIGN G3.0 kent : 1/21/1997 11:52:58

FILE:P.FAKE

CENTRAL BODY:JUPITER III

IN:m.E6JUFTKR2E12

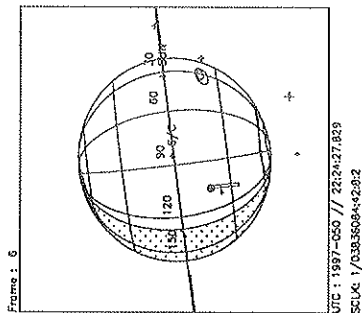
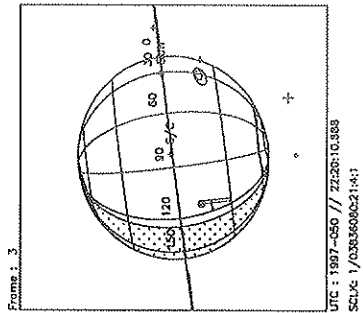
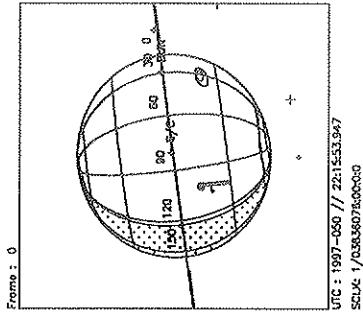
PH:/DATA/NAVIO/T-970109-TOUR.NS

ERIAPSIS:

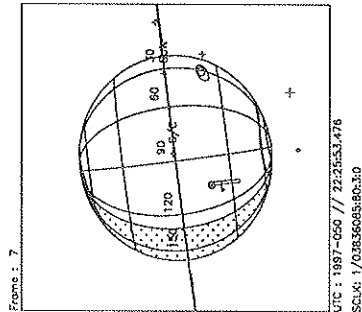
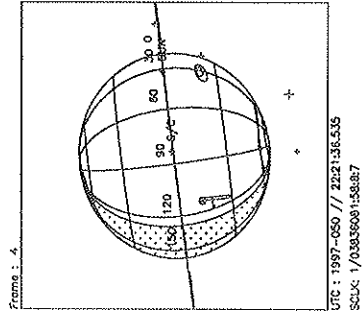
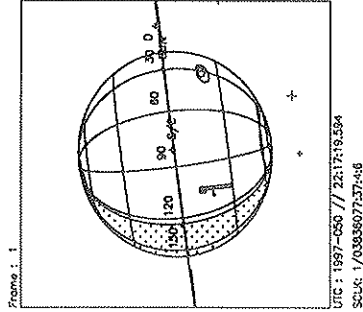
THINNING: :UVS 1

TART:JEE 97-051/20:52:52.600 -CDS 1326:00:0

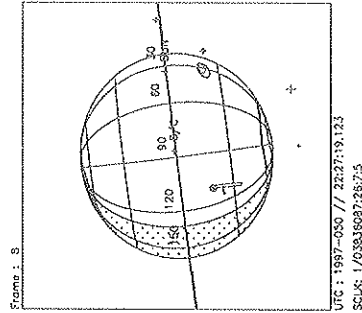
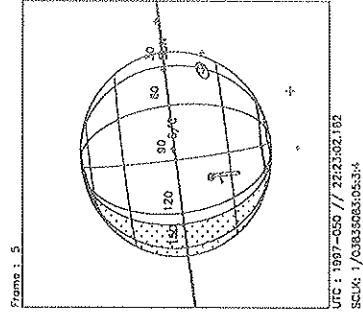
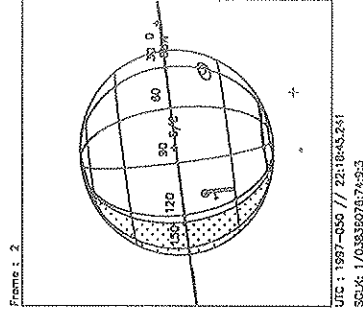
BODY PLOT TIME:TARGET-TIME D= 182 S= 0.800

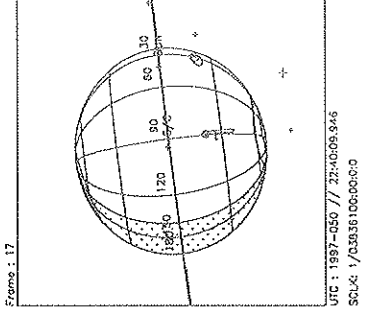
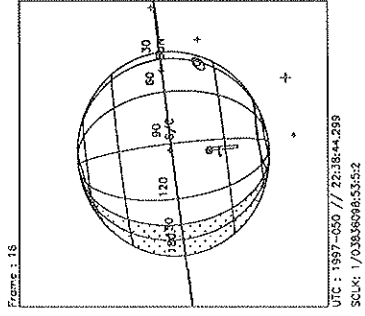
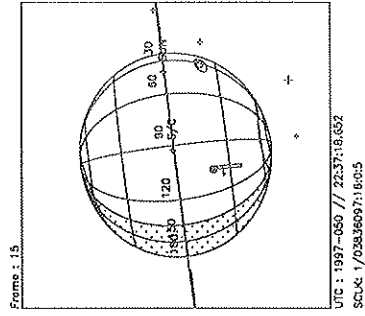
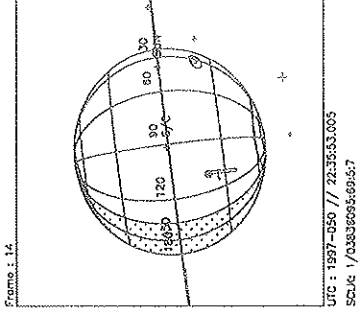
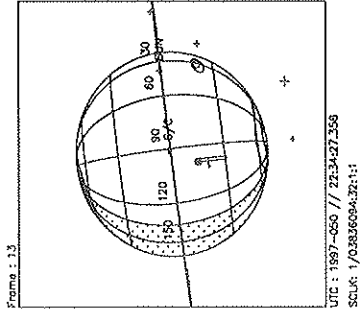
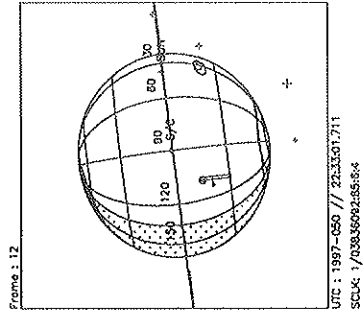
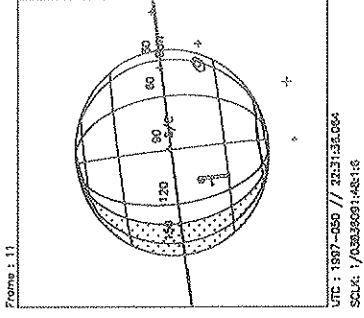
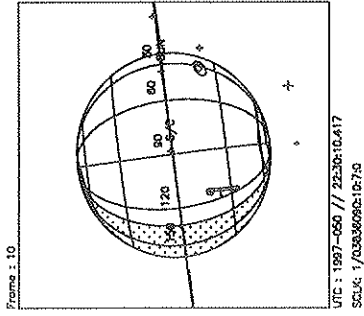
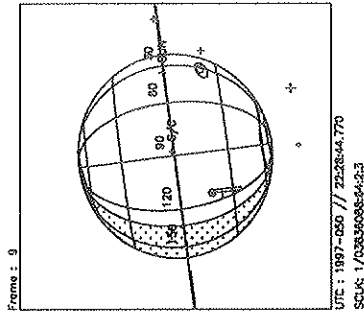


Start UTC_TIME : 1997-050 // 22:15:53.947
End UTC_TIME : 1997-050 // 22:40:09.1947
Start SCLK : 1/03836076:00:00
Delta Time between FOV : 85.64700
FOVs : N/G Channel(0.5x0.5)



Target Body : JUPITER
Target Cone/Clock : 124.45 / 93.80 Deg
S/C to Body Center : 1147376. Km (16.049011 Rj)
Z-axis Pointing (Ro / Dec) : 130.30 / 18.80 Deg





Start UTC_TIME : 1997-050 // 22:15:53.947
End UTC_TIME : 1997-050 // 22:40:09.947
Start SCLK : 1/03836076:00:00
Delta Time between FOV : 85.64700
FOVs : N/G Channel(0.5x0.5)

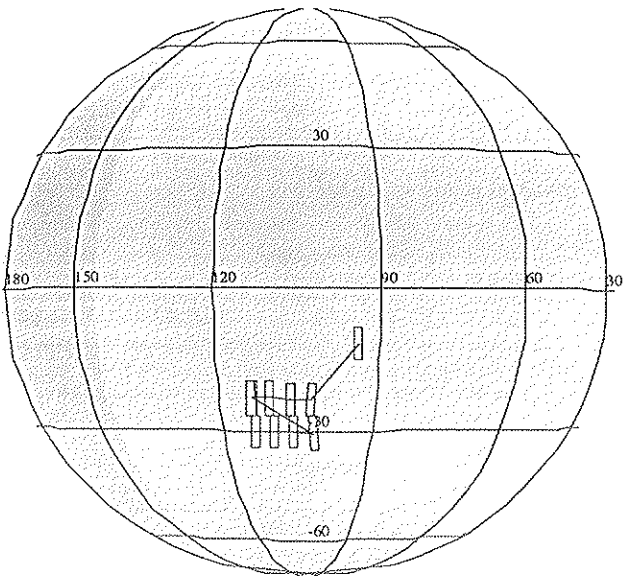
Target Body : JUPITER
Target Cone/Clock : 124.86 / 93.80 Deg
S/C to Body Center : 1141069. Km (15.960799 Ri)
Z-axis Pointing (Ra / Dec) : 130.30 / 18.80 Deg

White oval Feature Track

ACTIVITY ID: E6JUFTKR2E21-

START TIME: 97-050/22:50:20.600

Activity ID: Orbit E6	OAPEL JUFTKR2E	SeqNo 21-
Title White oval Feature Track		Instrument UVS
Requestor UVS-AWG/W. KENT TOBISKA	Team UVS	Working Group AWG
Time System CDS	Load ID E6A	Calendar Date 02/19/97 Week 8
Start JEE-CDS 1308:00:0	97-050/22:50:20.600	JEE-000/22:02:32.000
End JEE-CDS 1291:00:0	97-050/23:07:31.934	JEE-000/21:45:20.666
Duration 00000017:00:0	000/00:17:11.334	000/00:17:11.334
Top Label E6JUFTKR2E21-		
Bottom Label realtime		
Plot Key UVS	Type SCI	
CDS Bytes 389	Report Options BOTH	Scan Platform No
CDS Source OAP	Spin State DUAL	DMS No
Observation Objective		
<p>AWG white oval BC feature track (-33/104 lat/lon) (JEE epoch), rotation 2, solar phase angle 48 deg, emission angle 2; follows SSI (E6JSWHTOVL03) 4x2.</p> <p>Realtime observation; full F/F scan and setup for G/G 176 step miniscan for hydrocarbons between 1496-1755 A. Expect RTSFMT = A. Distance from Jupiter = 15 Rj.</p> <p>Last cn/ck = TBD.</p> <p>[NOTE: Followed by SSI Thebe observation of 3 RIMs.]</p> <p>[NOTE: white ovals at 135.4, 113.7, 91.5 from IRTF on Dec 17-20]</p>		
Design Detail		
<pre> PSID CDS RIM COMMAND PARAMETERS 384AL 00 00 COMMMT UVS RIM 0 349LV 28 -01+UVFLSH DISCRD,UVS 157AJ 38 00 CMDRS PLAN_DUR = 17 RIMS; EST_UVS_CMDS = 2 01 1 34UVS/UVF: 07, SCAN, NORM, NORM, NORM, SAME, 0, ON, OFF, OFF, ON, OFF, NOOVR, 1, 00, 9C, 00, 00 17 17 34UVS/OFF: C1, FIXED, NORM, NORM, NORM, SAME, 0, OFF, OFF, ON, OFF, OFF, NOOVR, 1, 2C, 05, 00, 00 165AJ 36 01 TARGET Lat/Lon = -23/102.5 (RA/Dec = 251.48/-25.56) 117AJ 63 01 CSMOS 3 subcsmos; 4 slews, 1 repo, 3 slews 349LW 28 01+UVFLSH PACKET,UVS (1) 349LX 28 03+UVFLSH PACKET,UVS (2) 349LY 28 05+UVFLSH PACKET,UVS (3) 349LZ 28 07+UVFLSH PACKET,UVS (4) 349KA 28 09+UVFLSH PACKET,UVS (5) 349KB 28 11+UVFLSH PACKET,UVS (6) 349KC 28 13+UVFLSH PACKET,UVS (7) 349KD 28 15+UVFLSH PACKET,UVS (8) </pre>		



165AJ:TT= 0 TMC= 1 C= 0.00 XC= 0.00 BS= 0/1232 TC= 1(-23 102.5)
 A= 182 pD= 182 SR=17.450 RA50=251.48 DEC50=-25.56 cone=125.54 clock= 92.18
 117AJ:#SB= 3 OR= 1.000 RR=12.000 BM=F RC= 1 BS= 0/1232
 1:#s= 4 Cs= 0.00 XCs= 0.00 Cr= 4.00 XCr= 0.00 sD= 272 rD= 92
 2:#s= 1 Cs= 0.00 XCs= 0.00 Cr= -13.00 XCr= -7.00 sD= 272 rD= 92
 3:#s= 3 Cs= 0.00 XCs= 0.00 Cr= 4.00 XCr= 0.00 sD= 272 rD= 92

ESIGN G3.0 kent : 1/21/1997 14:40:37

FILE:P.E6JUFTKR2E21

CENTRAL BODY:JUPITER III

INI:m.E6JUFTKR2E21

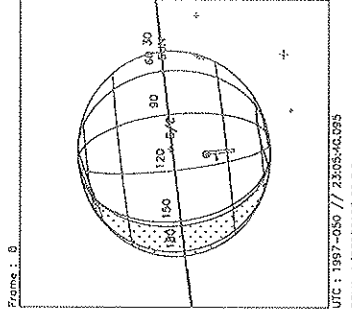
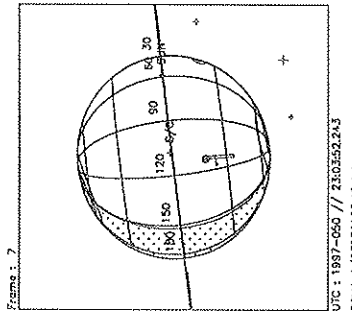
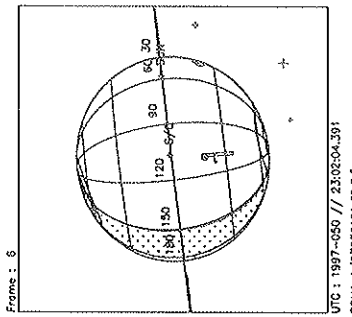
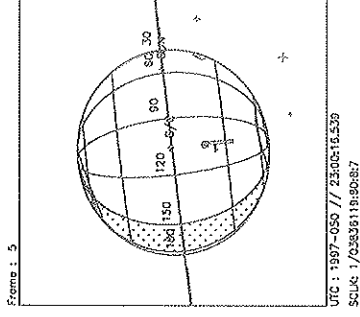
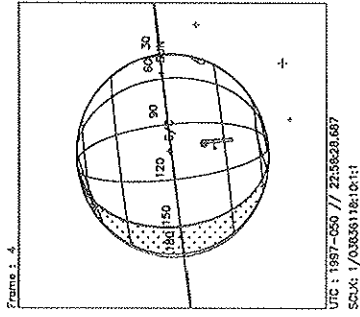
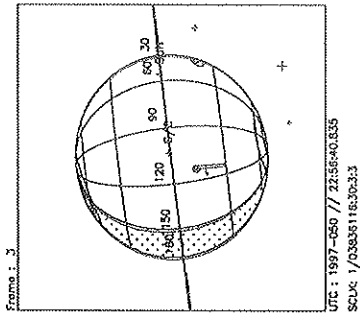
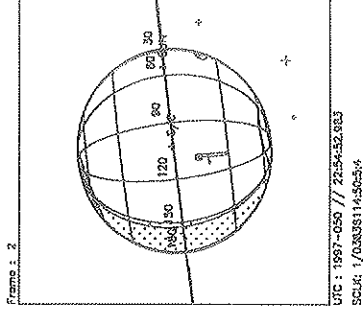
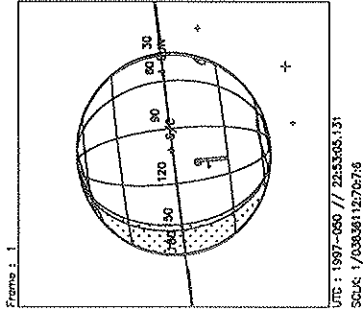
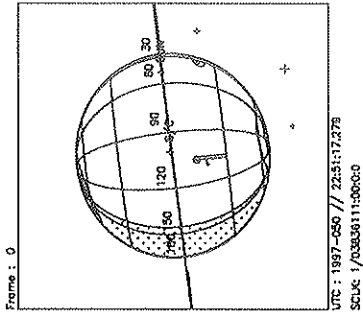
PH:/DATA/NAVIO/T-970109-TOUR.NS

ERIAPSIS:

THINNING: :UVS 1

TART:JEE 97-051/20:52:52.600 -CDS 1307:00:0

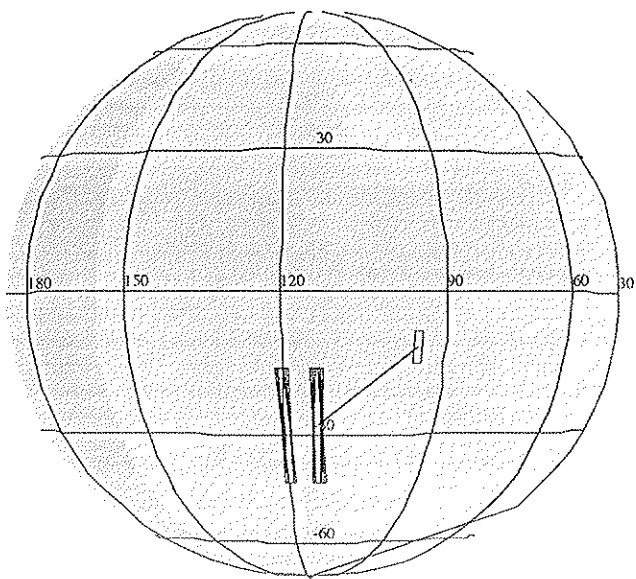
BODY PLOT TIME:TARGET-TIME D= 182 S= 0.800



Start UTC_TIME : 1997-050 // 22:51:17.279
End UTC_TIME : 1997-050 // 23:07:27.946
Start SCLK : 1/0383611:00:00
Delta Time between FOV : 107.8520
FOVs : N/G Channel(0.5x0.5)

Target Body : JUPITER
Target Cone/Clock : 125.58 / 93.80 Deg
S/C to Body Center : 1130005 Km (15.806028 Rj)
Z-axis Pointing (Ra / Dec) : 130.30 / 18.80 Deg

Activity ID:	Orbit E6	OAPEL JUFTKR2E	SeqNo	22-			
Title	White oval Feature Track		Instrument	UVS			
Requestor	UVS-AWG/W.KENT TOBISKA	Team	UVS	Working Group	AWG		
Time System	CDS	Load ID	E6A	Calendar Date	02/19/97	Week	8
Start	JEE-CDS 1288:00:0		97-050/23:10:33.934		JEE-000/21:42:18.666		
End	JEE-CDS 1260:00:0		97-050/23:38:52.600		JEE-000/21:14:00.000		
Duration	00000028:00:0		000/00:28:18.666		000/00:28:18.666		
Top Label	E6JUFTKR2E22-						
Bottom Label	realtime						
Plot Key	UVS	Type	SCI				
CDS Bytes	166	Report Options	BOTH		Scan Platform	No	
CDS Source	OAP	Spin State	DUAL		DMS	No	
Observation Objective							
	AWG white oval BC feature track (-33/104 lat/lon) (JEE epoch), rotation 2, solar phase angle 48 deg, emission angle 2.						
	Realtime observation: G/G 176 step miniscan for hydrocarbons between 1496-1755 A. Expect RTSFMT = A. Distance from Jupiter = 15 Rj.						
	Last cn/ck = TBD.						
	[NOTE: white ovals at 135.4, 113.7, 91.5 from IRTF on Dec 17-20]						
Design Detail							
PSID CDS RIM COMMAND PARAMETERS							
384AM 00 00 COMMT UVS RIM 0							
157AO 38 00 CMDRS PLAN_DUR = 27 RIMS; EST_UVS_CMDS = 2							
01 01							
34UVS/UVG: E3, FIXED, NORM, NORM, NORM, SAME, 0, OFF, OFF, ON, ON, OFF, NOOVR, 1, 1A, 8E, 00, 00							
27 27							
34UVS/OFF: C1, FIXED, NORM, NORM, NORM, SAME, 0, OFF, OFF, ON, OFF, OFF, NOOVR, 1, 2C, 05, 00, 00							
165AK 36 01 TARGET Lat/Lon = -28/113.5 (RA/Dec = 252.14/-25.91) (on white oval)							
349KE 28 14+UVFLSH PACKET, UVS (9)							
165AL 36 16 TARGET Lat/Lon = -28/120 (RA/Dec = 252.55/-25.96) (off white oval)							
349KF 28 26+UVFLSH PACKET, UVS (10)							



165AK:TT= 0 TMC= 1 C= 0.00 XC= 0.00 BS= 0/4872 TC= 1{-28 113.5)
 A= 182 pD= 182 SR=17.450 RA50=252.14 DEC50=-25.91 cone=126.16 clock= 91.81
 165AL:TT= 0 TMC= 1 C= 0.00 XC= 0.00 BS= 0/7602 TC= 1{-28 120)
 A= 92 pD= 0 SR=17.450 RA50=252.55 DEC50=-25.96 cone=126.53 clock= 91.78

ESIGN G3.0 kent : 1/21/1997 14:41:20

FILE:P.E6JUFTKR2E22

CENTRAL BODY:JUPITER III

IN:m.E6JUFTKR2E22

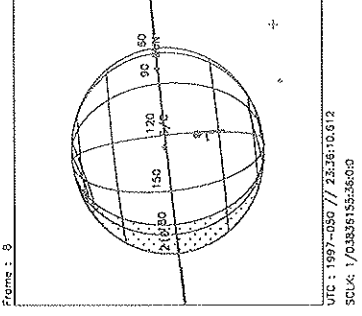
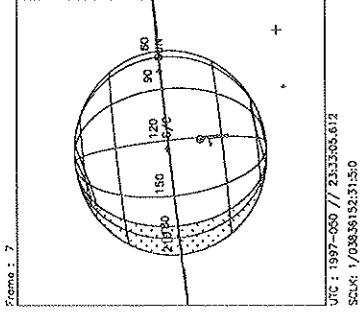
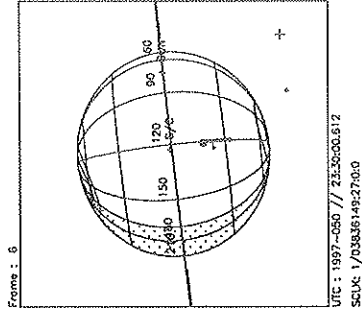
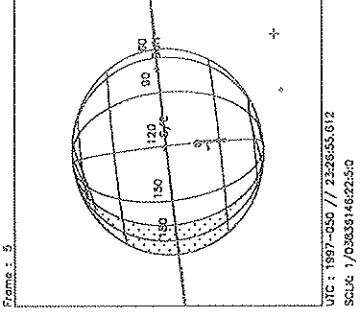
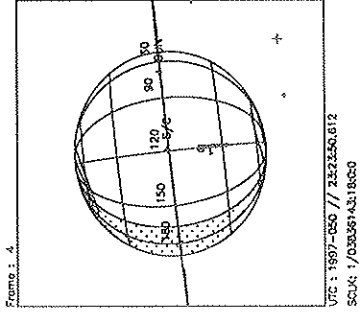
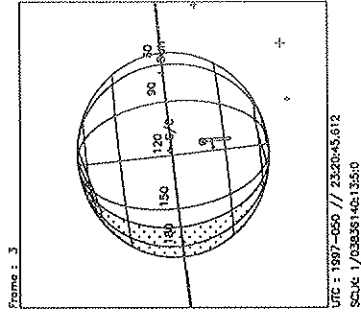
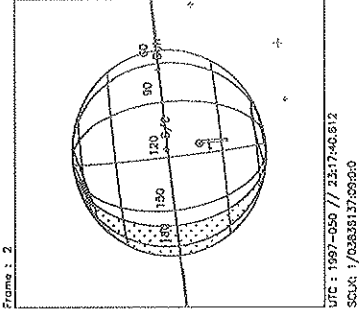
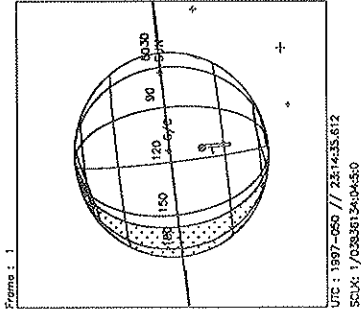
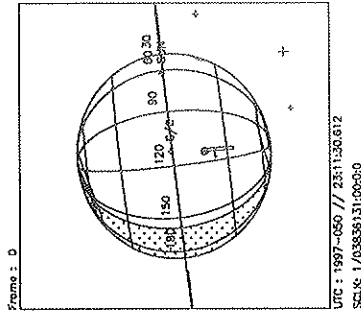
PH:/DATA/NAVIO/T-970109-TOUR.NS

ERIAPSIS:

THINNING: :UVS 1

TART:JEE 97-051/20:52:52.600 -CDS 1287:00:0

BODY PLOT TIME:TARGET-TIME D= 0 S= 0.800



Start UTC_TIME : 1997-050 // 23:11:30.612
 End UTC_TIME : 1997-050 // 23:37:47.944
 Start SCLK : 1/03836131:00:0:0
 Delta Time between FOV : 185.0000
 FOVs : N/G Channel(0.5x0.5)

Target Body : JUPITER
 Target Cone/Clock : 126.25 / 93.80 Deg
 S/C to Body Center : 1120080. Km (15.667212 Rj)
 Z-axis Pointing (Ro / Dec) : 130.30 / 18.80 Deg

Activity ID: Orbit E6	OAPEL JUFTKR2E	SeqNo 23+
Title White oval Feature Track		Instrument UVS
Requestor UVS-AWG/W. KENT TOBISKA	Team UVS	Working Group AWG

Time System CDS	Load ID E6A	Calendar Date 02/19/97	Week 8
Start JEE-CDS 1260:00:0	97-050/23:38:52.600	JEE-000/21:14:00.000	
End JEE-CDS 1238:00:0	97-051/00:01:07.267	JEE-000/20:51:45.333	
Duration 00000022:00:0	000/00:22:14.667	000/00:22:14.667	

Top Label E6JUFTKR2E23+
Bottom Label realtime
Plot Key UVS Type SCI
CDS Bytes 122 Report Options BOTH Scan Platform No
CDS Source OAP Spin State DUAL DMS No

Observation Objective

AWG white oval BC feature track (-33/104 lat/lon) (JEE epoch), rotation 2, solar phase angle 48 deg, emission angle 2; ridealong with NIMS (E6JNFEA04803, E6JNPFTA4802, E6JNPFTB4802).

Realtime observation; G/G 176 step miniscan for hydrocarbons between 1496-1755 A. Expect RTSFMT = A. Distance from Jupiter = 15 Rj.

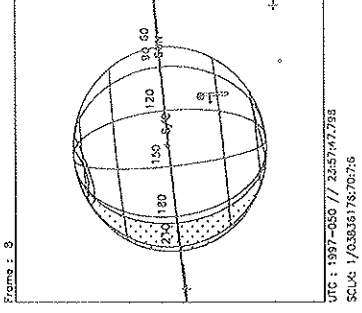
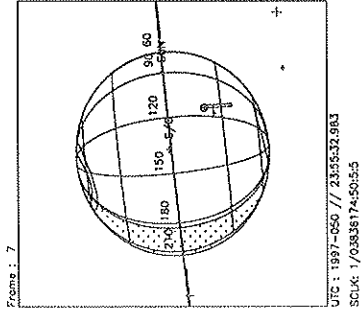
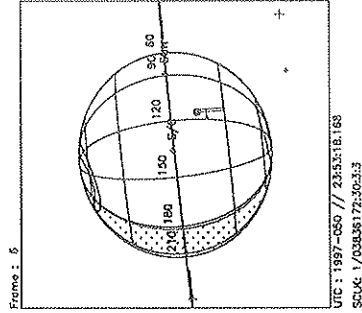
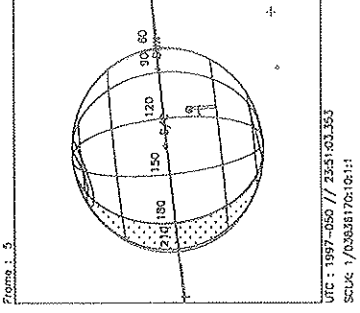
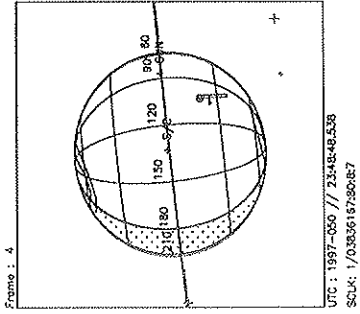
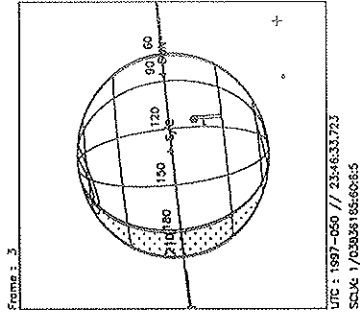
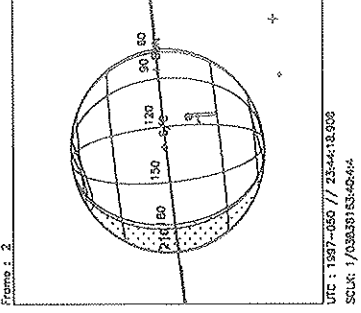
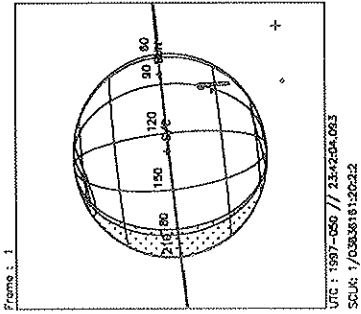
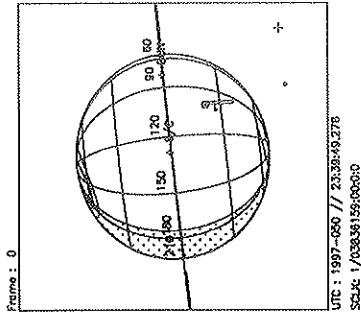
Last cn/ck = TBD.

[NOTE: white ovals at 135.4, 113.7, 91.5 from IRTF on Dec 17-20]

Design Detail

```

PSID  CDS  RIM  COMMAND  PARAMETERS
384AN  00  00  COMMNT  UVS  RIM  0
157AL  38  00  CMDRS   PLAN_DUR = 21 RIMS; EST_UVS_CMDS = 2
          01  01
34UVS/UVG: E3, FIXED, NORM, NORM, NORM, SAME, 0, OFF, OFF, ON, ON, OFF, NOOVR, 1, 1A, 8E, 00, 00
          21  21
34UVS/OFF: C1, FIXED, NORM, NORM, NORM, SAME, 0, OFF, OFF, ON, OFF, OFF, NOOVR, 1, 2C, 05, 00, 00
165DL  00  01  TARGET  (4803) (RA/Dec = 251.26/-26.06)
117DL  00  01  CSMOS
349KG  28  05+UVFLSH  PACKET, UVS (1)
165DM  00  07  TARGET  (A4802) (RA/Dec = 252.14/-25.69)
117DM  00  08  CSMOS
349KH  28  12+UVFLSH  PACKET, UVS (2)
165DN  00  14  TARGET  (B4802) (RA/Dec = 252.13/-25.72)
117DN  00  15  CSMOS
349KI  28  20+UVFLSH  PACKET, UVS (3)
    
```

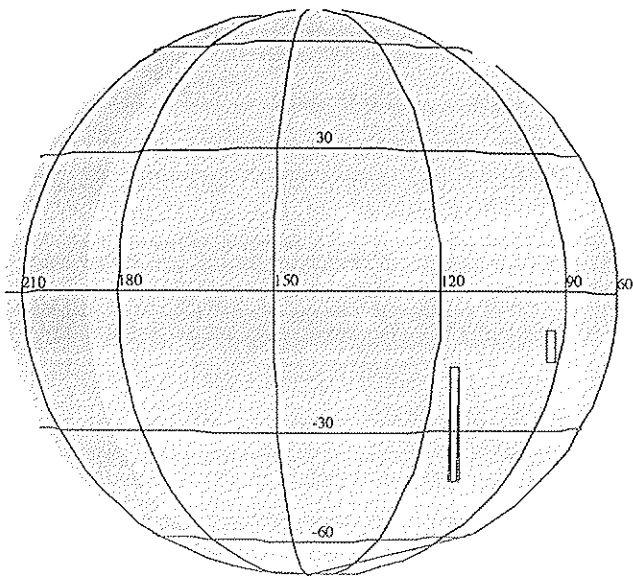



Start UTC_TIME : 1997-050 // 23:39:49.278
End UTC_TIME : 1997-051 // 00:00:02.610
Start SCLK : 1/03836159:00:00
Delta Time between FOV : 134.8150
FOVs : N/G Channel(0.5x0.5)

Target Body : JUPITER
Target Cone/Clock : 127.19 / 93.80 Deg
S/C to Body Center : 1106192. Km (15.472950 Rj)
Z-axis Pointing (Ro / Dec) : 130.30 / 18.80 Deg

Activity ID: Orbit E6		OAPEL JUFTKR2E		SeqNo 32-	
Title White oval Feature Track		Instrument UVS			
Requestor UVS-AWG/W. KENT TOBISKA		Team UVS		Working Group AWG	
Time System CDS		Load ID E6A		Calendar Date 02/20/97	
				Week 8	
Start	JEE-CDS 1238:00:0		97-051/00:01:07.267	JEE-000/20:51:45.333	
End	JEE-CDS 1233:00:0		97-051/00:06:10.600	JEE-000/20:46:42.000	
Duration	00000005:00:0		000/00:05:03.333	000/00:05:03.333	
Top Label E6JUFTKR2E32-					
Bottom Label realtime					
Plot Key UVS		Type SCI			
CDS Bytes 102		Report Options BOTH		Scan Platform No	
CDS Source OAP		Spin State DUAL		DMS No	
Observation Objective					
<div style="border: 1px solid black; width: 150px; height: 100px; display: inline-block; vertical-align: top; margin-right: 10px;"></div> <p>AWG white oval BC feature track (-33/104 lat/lon) (JEE epoch), rotation 2, solar phase angle 48 deg, emission angle 3.</p> <p>Realtime observation; G/G 176 step miniscan for hydrocarbons between 1496-1755 A. Expect RTSFMT = A. Distance from Jupiter = 15 Rj.</p> <p>Last cn/ck = TBD.</p> <p>[NOTE: white ovals at 135.4, 113.7, 91.5 from IRTF on Dec 17-20]</p>					
Design Detail					
<pre> PSID CDS RIM COMMAND PARAMETERS 384AR 00 00 COMMNT UVS RIM 0 157AM 38 00 CMDRS PLAN_DUR = 5 RIMS; EST_UVS_CMDS = 2 01 01 34UVS/UVG: E3, FIXED, NORM, NORM, NORM, SAME, 0, OFF, OFF, ON, ON, OFF, NOOVR, 1, 1A, 8E, 00, 00 05 05 34UVS/OFF: C1, FIXED, NORM, NORM, NORM, SAME, 0, OFF, OFF, ON, OFF, OFF, NOOVR, 1, 2C, 05, 00, 00 165AM 36 01 TARGET Lat/Lon = -28/113.9 (RA/Dec = 252.17/-25.93) 349KJ 28 04+UVFLSH PACKET, UVS (1) </pre>					

887 = 88 - 97



165AM:TT= 0 TMC= 1 C= 0.00 XC= 0.00 BS= 0/3972 TC= 1(-28 113.9)
 A= 182 pD= 182 SR=17.450 RA50=252.17 DEC50=-25.93 cone=126.19 clock= 91.79

ESIGN G3.0 kent : 1/21/1997 14:43:29

FILE:P.E6JUFTKR2E32

CENTRAL BODY:JUPITER III

FILE:m.E6JUFTKR2E32

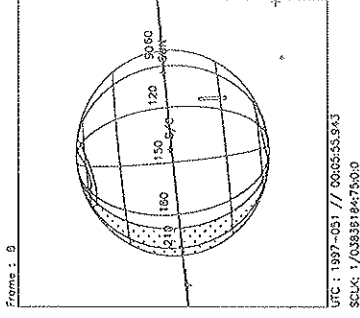
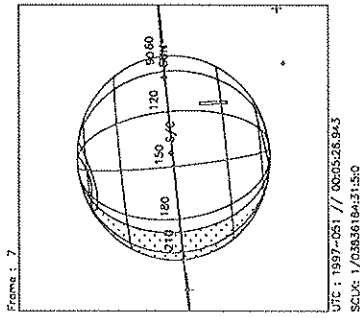
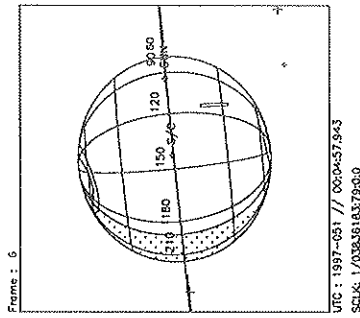
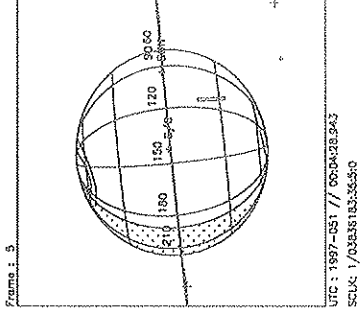
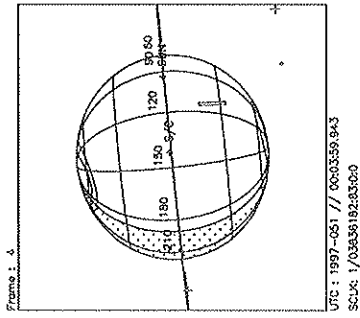
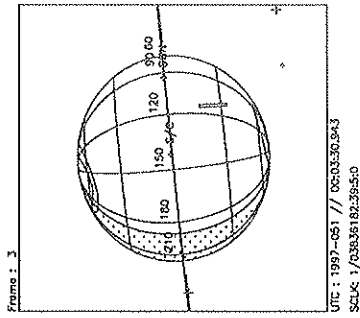
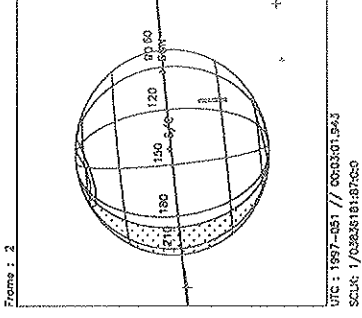
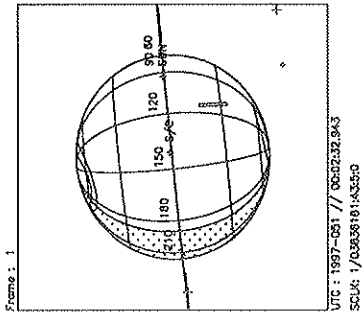
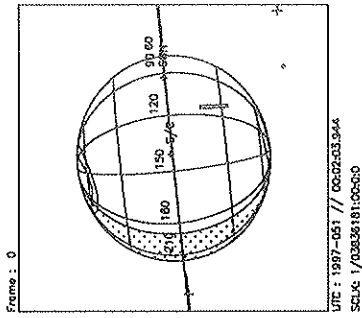
FILE:PH:/DATA/NAVIO/T-970109-TOUR.NS

ERRIAPSIS:

THINNING: :UVS 1

START:JEE 97-051/20:52:52.600 -CDS 1237:00:0

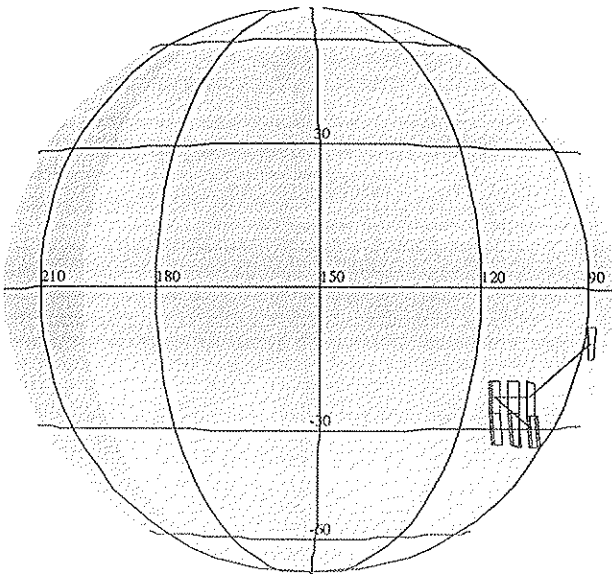
BODY PLOT TIME:TARGET-TIME D= 182 S= 0.800



Start UTC_TIME : 1997-051 // 00:02:03.944
No End Time :
Start SCLK : 1/03836181:00:0:0

Target Body : JUPITER
Target Cone/Clock : 127.95 / 93.80 Deg
S/C to Body Center : 1095287. Km (15.320416 Rj)
Z-axis Pointing (Ro / Dec) : 130.30 / 18.80 Deg

Activity ID:	Orbit E6	OAPEL	JUFTKR2E	SeqNo	31-
Title	White oval Feature Track			Instrument	UVS
Requestor	UVS-AWG/W.KENTTOBISKA	Team	UVS	Working Group	AWG
Time System	CDS	Load ID	E6A	Calendar Date	02/20/97
				Week	8
Start	JEE-CDS 1223:00:0		97-051/00:16:17.267		JEE-000/20:36:35.333
End	JEE-CDS 1210:00:0		97-051/00:29:25.934		JEE-000/20:23:26.666
Duration	00000013:00:0		000/00:13:08.667		000/00:13:08.667
Top Label	E6JUFTKR2E31-				
Bottom Label	realtime				
Plot Key	UVS	Type	SCI		
CDS Bytes	333	Report Options	BOTH		
CDS Source	OAP	Spin State	DUAL		
			Scan Platform	No	
			DMS	No	
Observation Objective					
<div style="border: 1px solid black; width: 150px; height: 100px; display: inline-block; vertical-align: top;"></div> <p>AWG white oval BC feature track (-33/104 lat/lon) (JEE epoch), rotation 2, solar phase angle 48 deg, emission angle 3; follows SSI (E6JSWHTOVL04) 4x2.</p> <p>Realtime observation; full F/F scan and setup for G/G 176 step miniscan for hydrocarbons between 1496-1755 A. Expect RTSFMP = A. Distance from Jupiter = 15 Rj.</p> <p>Last cn/ck = TBD.</p> <p>[NOTE: white ovals at 135.4, 113.7, 91.5 from IRTF on Dec 17-20]</p>					
Design Detail					
<pre> PSID CDS RIM COMMAND PARAMETERS 384AQ 00 00 COMMNT UVS RIM 0 349KK 28 -01+UVFLSH DISCRD,UVS 157AN 38 00 CMDRS PLAN_DUR = 13 RIMS; EST_UVS_CMDS = 2 01 1 34UVS/UVF: 07, SCAN, NORM, NORM, NORM, SAME, 0, ON, OFF, OFF, ON, OFF, NOOVR, 1, 00, 9C, 00, 00 13 13 34UVS/OFF: C1, FIXED, NORM, NORM, NORM, SAME, 0, OFF, OFF, ON, OFF, OFF, NOOVR, 1, 2C, 05, 00, 00 165AN 36 01 TARGET Lat/Lon = -23/104 (RA/Dec = 251.72/-25.59) 117AN 63 01 CSMOS 3 subcsmos; 3 slews, 1 repo, 2 slews 349KL 28 01+UVFLSH PACKET,UVS (2) 349KM 28 03+UVFLSH PACKET,UVS (3) 349KN 28 05+UVFLSH PACKET,UVS (4) 349KO 28 07+UVFLSH PACKET,UVS (5) 349KP 28 09+UVFLSH PACKET,UVS (6) 349KQ 28 11+UVFLSH PACKET,UVS (7) </pre>					



165AN:TT= 0 TMC= 1 C= 0.00 XC= 0.00 BS= 0/6702 TC= 1(-23 104)
 A= 182 pD= 182 SR=17.450 RA50=251.72 DEC50=-25.59 cone=125.75 clock= 92.15
 117AN:#SB= 3 OR= 1.000 RR=12.000 BM=F RC= 1 BS= 0/6702
 1:#s= 3 Cs= 0.00 XCs= 0.00 Cr= 4.00 XCr= 0.00 sD= 272 rD= 92
 2:#s= 1 Cs= 0.00 XCs= 0.00 Cr= -7.00 XCr= -7.00 sD= 272 rD= 92
 3:#s= 2 Cs= 0.00 XCs= 0.00 Cr= 4.00 XCr= 0.00 sD= 272 rD= 92

ESIGN G3.0 kent : 1/21/1997 14:44: 7

ILE:P.E6JUFTKR2E31

ENTRAL BODY:JUPITER III

INI:m.E6JUFTKR2E31

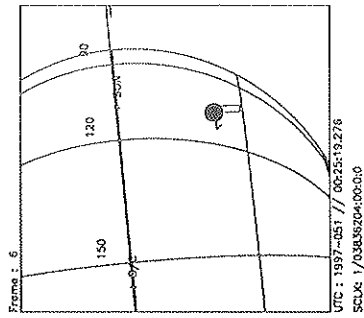
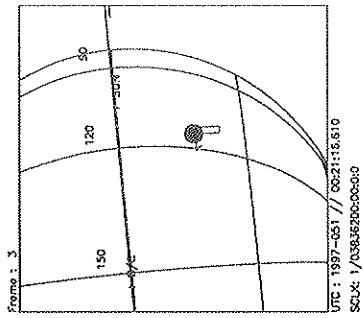
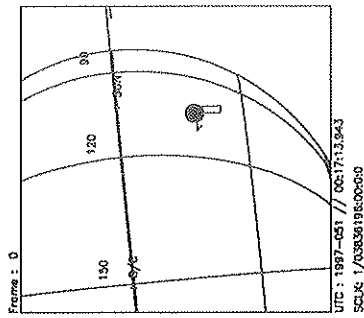
:PH:/DATA/NAVIO/T-970109-TOUR.NS

ERIAPSIS:

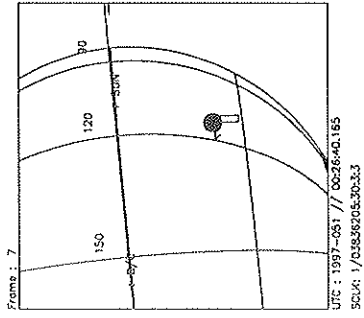
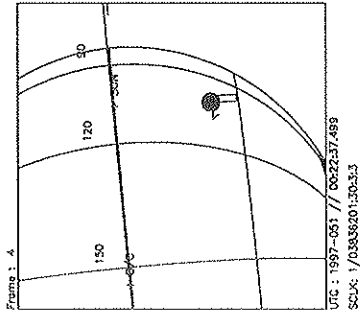
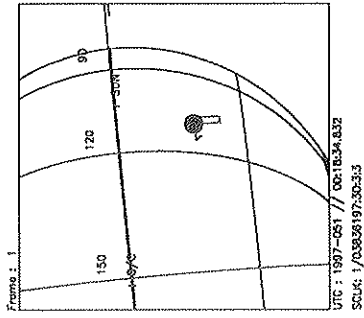
THINNING: :UVS 1

TART:JEE 97-051/20:52:52.600 -CDS 1222:00:0

BODY PLOT TIME:TARGET-TIME D= 182 S= 0.800



Start UTC_TIME : 1997-051 // 00:17:13.943
 End UTC_TIME : 1997-051 // 00:29:21.942
 Start SCLK : 1/03836196:00:00
 Delta Time between FOV : 80.88889
 FOVs : F_Channel(0.1x0.4)



Target Body : JUPITER
 Target Cone/Clock : 128.48 / 93.79 Deg
 S/C to Body Center : 1087857. Km (15.216482 Rj)
 Z-axis Pointing (Ro / Dec) : 130.30 / 18.80 Deg

