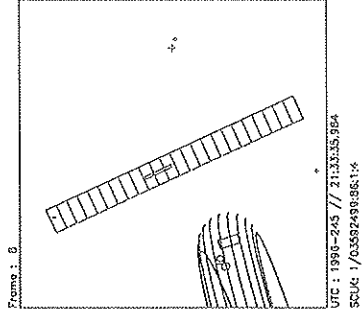
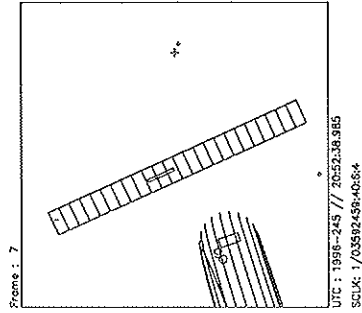
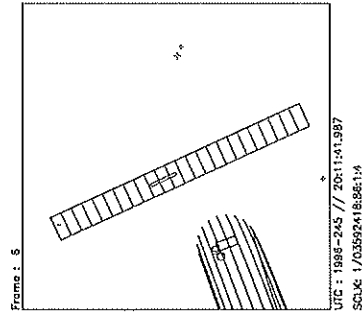
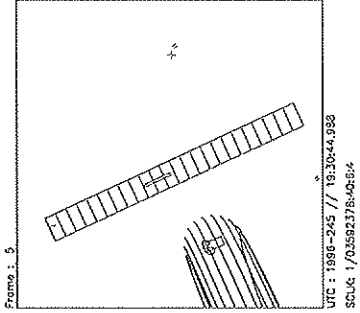
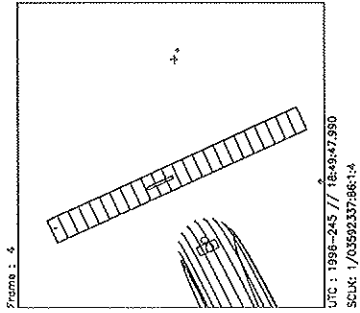
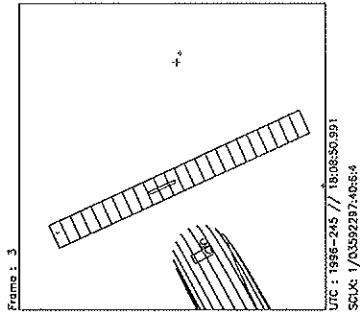
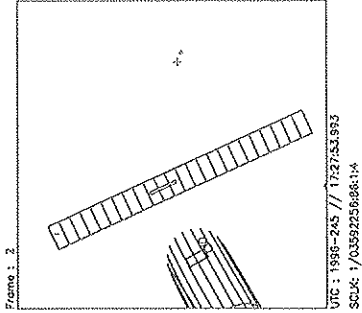
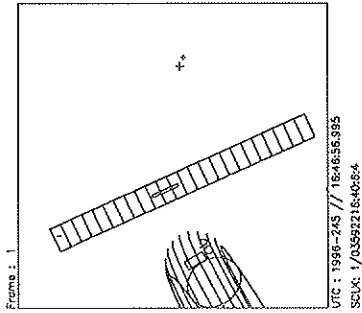
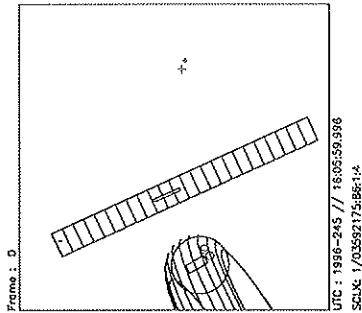


Activity ID: Orbit G2	OAPEL TUG2NANS	SeqNo 04-
Title	UVS/EUV NOON ANSA MAP 4, LO RATE G2 INBD	Instrument UVS
Requestor	UVS-MWG/S.STEPHENS	Team UVS
		Working Group MWG
Time System CDS	Load ID G2A	Calendar Date 09/01/96
		Week 35
Start	JEE-CDS 00008402:00:0	96-245/16:02:04.600
		JEE-005/21:35:21.333
End	JEE-CDS 00008074:00:0	96-245/21:33:43.267
		JEE-005/16:03:42.666
Duration	00000328:00:0	000/05:31:38.667
		000/05:31:38.667
Top Label	G2TUG2NANS04-	
Bottom Label	(UVS/EUV RTS Torus)	
Plot Key	UVS	Type SCI
CDS Bytes	396	Report Options BOTH
		Scan Platform Yes
CDS Source	PA	Spin State DUAL
		DMS No
Observation Objective		
	UVS/EUV IO TORUS NOON ANSA MAP 4 (CONTINUED FROM G1C), LOW RATE, G2 INBOUND:	
	From: 8.21 Rj at cone 90 (ribbon at 5.80 Rj, Sys III W Long 64)	
	To: 8.92 Rj (Europa) at cone 90	
	Data rate: Instrument states usually last 60 RIMS; thus, 4.87 bps UVS, 4.87 bps EUV	
	OPTRTM/UVFLUSH STRATEGY (17,712 bits per UVS or EUV PACKET):	
	UVS/EUV deselected; thus, 60-RIM UVFLUSHes needed to PACKET BOTH, after initial DISCRD	
Emission lines: UVS (S+ 1259, O+ 3728, S+ 4070), EUV (S++ 685, S+ 765, O+ 834)		
2POSN-22STEP N/G MINISCAN (UVS): N 4040.9-4098.7 (CTR 4071.2, STEP 436) [EVEN FRAMES],		
G 1239.8-1272.1 (CTR 1256.7, STEP 81) [ODD FRAMES]		
2POSN-1STEP N/N MINISCAN (UVS): N 3728.2 (STEP 313) [EVEN FRAMES],		
Design Detail		
PSID	RIM:mf	CDS PA
384BA	0	0 COMMENT [UVS RIM 0]
432BA	3	56 OPTRTM [UVS EXCLUDE, EUV EXCLUDE]
157BA	3	108 CMDRS (10+14*7) [PLAN DUR 325, EST UVS CMD5 7]
349BA	3:69	28 UVFLUSH [6UVRT, DISCRD, BOTH]
165BA	4	36 TARGET [CONE 90.00, CLOCK 91.91]
	4	34UVS, D3, F, N, N, N, S, 0, OFF, ON, ON, ON, OFF, NO, 1, D5, 4E, 05, 63 [22STEP N/G]
349BB	62:69	28 UVFLUSH [6UVRT, PACKET, BOTH]
	64	34UVS, C1, F, N, N, N, S, 0, OFF, ON, OFF, ON, OFF, NO, 1, 65, 06, 00, 7B [1STEP N/N]
349BC	122:69	28 UVFLUSH [6UVRT, PACKET, BOTH]
	124	34UVS, D3, F, N, N, N, S, 0, OFF, ON, ON, ON, OFF, NO, 1, D5, 4E, 05, 63 [22STEP N/G]
349BD	182:69	28 UVFLUSH [6UVRT, PACKET, BOTH]
	184	34UVS, C1, F, N, N, N, S, 0, OFF, ON, OFF, ON, OFF, NO, 1, 65, 06, 00, 7B [1STEP N/N]
349BE	242:69	28 UVFLUSH [6UVRT, PACKET, BOTH]
	244	34UVS, D3, F, N, N, N, S, 0, OFF, ON, ON, ON, OFF, NO, 1, D5, 4E, 05, 63 [22STEP N/G]
349BF	302:69	28 UVFLUSH [6UVRT, PACKET, BOTH]
	304	34UVS, C1, F, N, N, N, S, 0, OFF, ON, OFF, ON, OFF, NO, 1, 65, 06, 00, 7B [1STEP N/N]
349BG	326:69	28 UVFLUSH [6UVRT, PACKET, BOTH]
	328	34UVS, C1, F, N, N, N, S, 0, OFF, OFF, ON, OFF, OFF, NO, 1, 2C, 05, 00, 00 [HVOFF]

Jun Jul 14 17:43:46 1996

EUN starting, L = 90

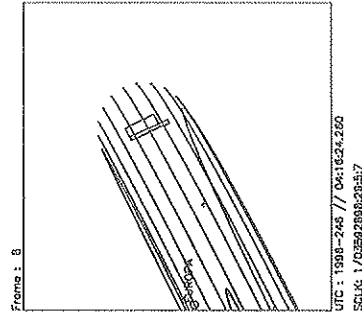
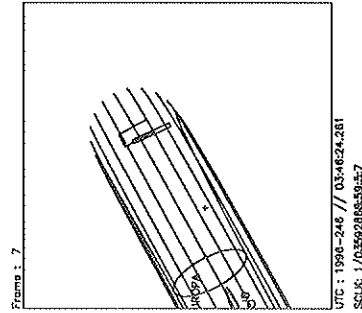
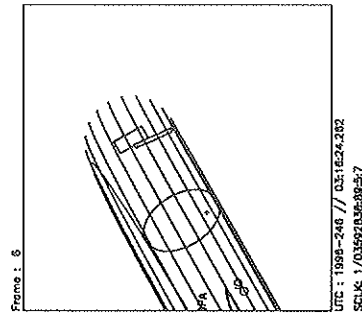
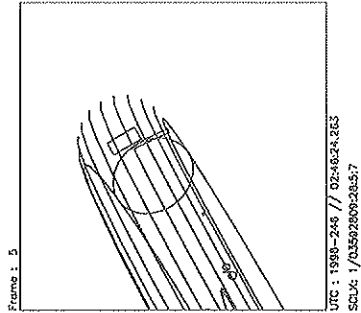
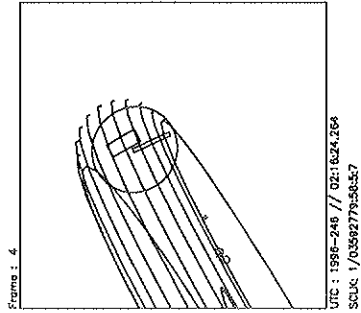
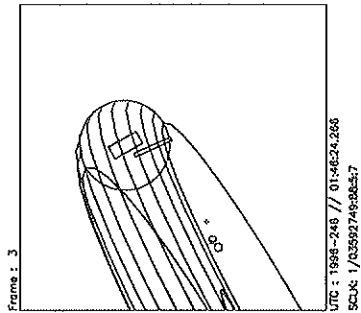
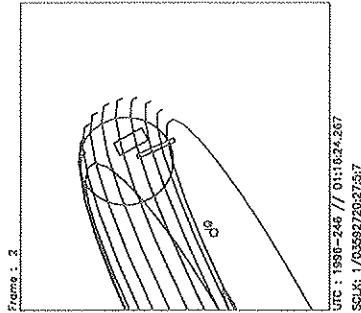
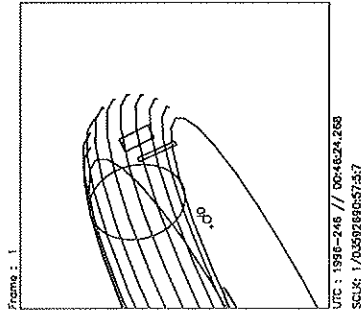
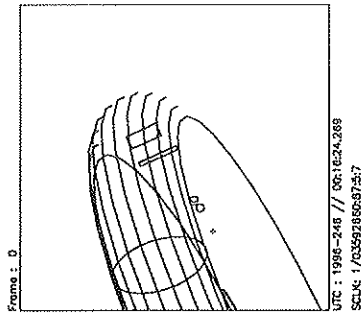
Page 1 of 1



Start UTC_TIME : 1996-245 // 18:06:00.000
No End Time :
Start SCLK : 1/03592175:86:1:4

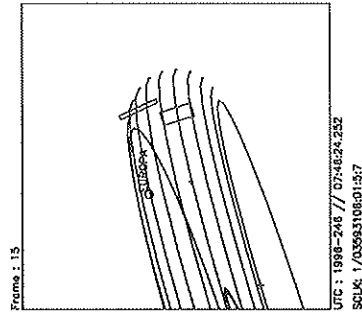
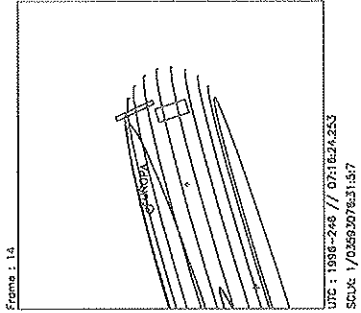
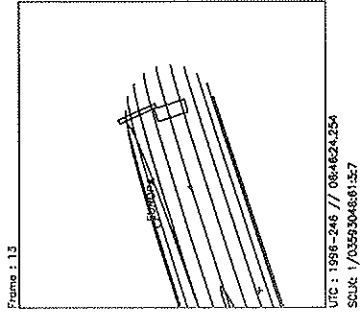
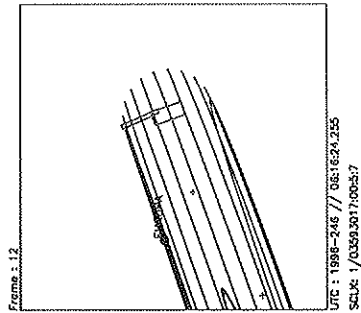
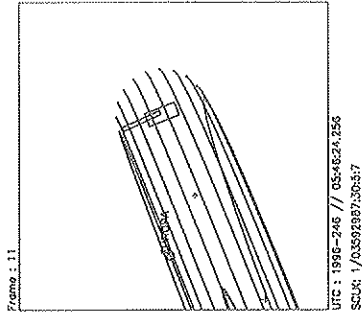
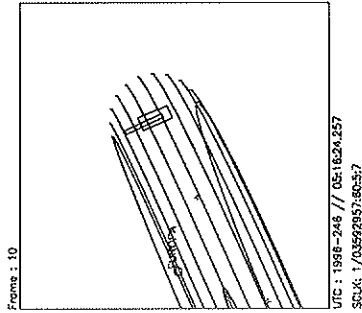
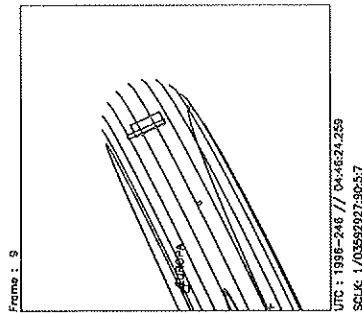
Target Body : JUPITER
Target Cone/Clock : 98.44 / 91.38 Deg
S/C to Body Center : 3997227. Km (55.911526 Rj)
Z-axis Pointing (Ro / Dec) : 98.60 / 25.00 Deg

Activity ID: Orbit G2		OAPEL TUG2NPRO		SeqNo 01-	
Title		UVS NOON ANSA PROFILE 1, G2 INBOUND		Instrument UVS	
Requestor		UVS-MWG/S.STEPHENS		Team UVS	
				Working Group MWG	
Time System CDS		Load ID G2A		Calendar Date 09/02/96	
				Week 36	
Start		JEE-CDS 00007917:00:0		96-246/00:12:27.933	
				JEE-005/13:24:58.000	
End		JEE-CDS 00007403:00:0		96-246/08:52:10.600	
				JEE-005/04:45:15.333	
Duration		00000514:00:0		000/08:39:42.667	
				000/08:39:42.667	
Top Label		G2TUG2NPRO01-			
Bottom Label		(UVS RTS Torus)			
Plot Key		UVS		Type SCI	
CDS Bytes		653		Report Options BOTH	
				Scan Platform Yes	
CDS Source		PA		Spin State DUAL	
				DMS No	
Observation Objective					
<p>UVS IO TORUS NOON ANSA RADIAL PROFILE 1, G2 INBOUND (NO EUV): From: 5.11 Rj (inside ribbon) at cone > 90 (ribbon at 5.76 Rj, Sys III W Long 95) To: 6.40 Rj (outside ribbon) at fixed cone Data rate: Instrument states last 30 RIMS; thus, 9.73 bps UVS OPTRTM/UVFLUSH STRATEGY (17,712 bits per UVS PACKET): UVS deselected; thus, 30-RIM UVFLUSHes needed to PACKET UVS, after initial DISCRD Emission lines: UVS (S+ 1259, O+ 3728, S+ 4070), EUV (S++ 685, S+ 765, O+ 834) 2 POSN-22STEP N/G MINISCAN (UVS): N 4040.9-4098.7 (CTR 4071.2, STEP 436) [EVEN FRAMES], G 1239.8-1272.1 (CTR 1256.7, STEP 81) [ODD FRAMES] 2 POSN-1STEP N/N MINISCAN (UVS): N 3728.2 (STEP 313) [EVEN FRAMES], N 4071.2 (STEP 436) [ODD FRAMES]</p>					
Design Detail					
PSID	RIM:mf	CDS	PA		
384BC	0	0		COMMENT [UVS RIM 0]	
61BB	2	37		LOOPER [LOOP PERIOD 60, NUM LOOPS 8]	
157BC	3	38		CMDRS (10+14*2) [PLAN DUR 31, EST UVS CMDS 2]	
349BI	3:69	28		UVFLUSH [6UVRT, DISCRD, UVS]	
165BB	4	36		TARGET [CONE 94.45, CLOCK 91.40]	
				34UVS,D3,F,N,N,N,S,0,OFF,ON,ON,ON,OFF,NO,1,D5,4E,05,63 [22STEP N/G]	
349BJ	32:69	224		UVFLUSH (28*8) [6UVRT, PACKET, UVS]	
				34UVS,C1,F,N,N,N,S,0,OFF,ON,OFF,ON,OFF,NO,1,65,06,00,7B [1STEP N/N]	
349BK	62:69	224		UVFLUSH (28*8) [6UVRT, PACKET, UVS]	
...BY				... [REPEAT 7 ADDITIONAL TIMES]	
157BD	483	38		CMDRS (10+14*2) [PLAN DUR 31, EST UVS CMDS 2]	
				34UVS,D3,F,N,N,N,S,0,OFF,ON,ON,ON,OFF,NO,1,D5,4E,05,63 [22STEP N/G]	
349BZ	512:69	28		UVFLUSH [6UVRT, PACKET, UVS]	
	514			34UVS,C1,F,N,N,N,S,0,OFF,OFF,ON,OFF,OFF,NO,1,2C,05,00,00 [HVOFF]	



Start UTC_TIME : 1996-246 // 00:16:24.266
No End Time :
Start SCLK : 1/03592660:87:5:7

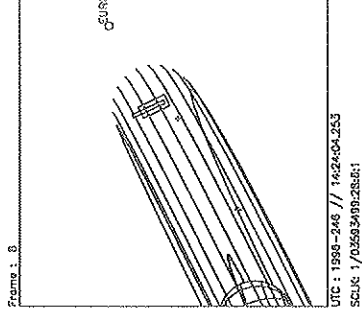
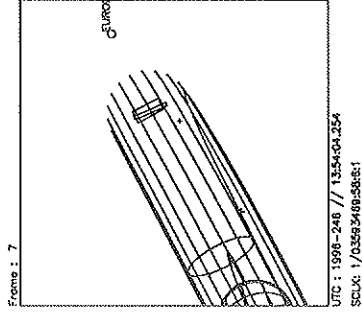
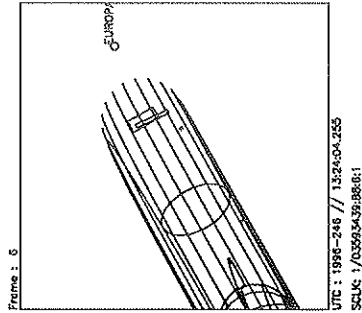
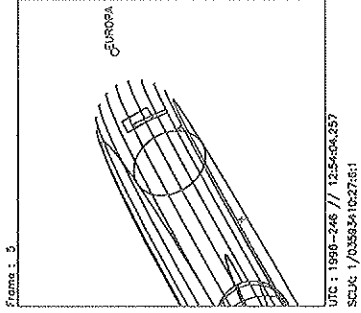
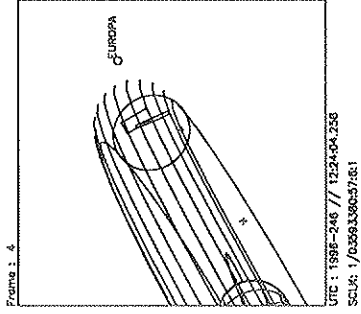
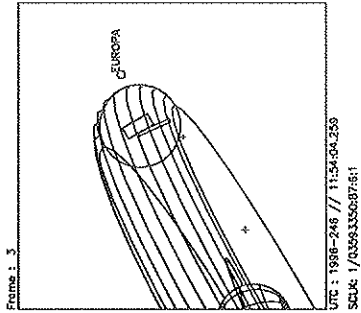
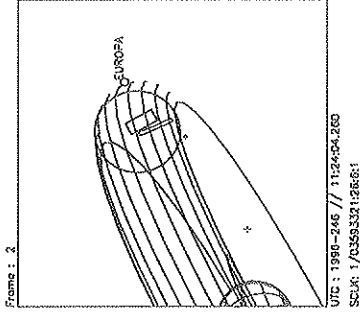
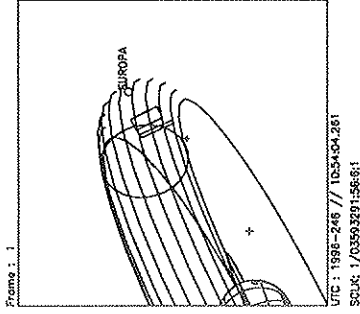
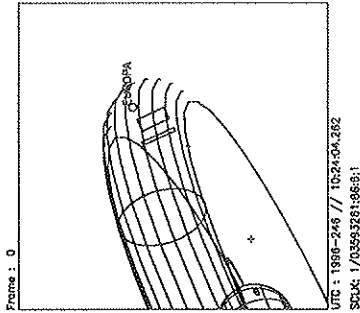
Target Body : JUPITER
Target Cone/Clock : 99.92 / 91.35 Deg
S/C to Body Center : 384,3432. Km (53.760314 Rj)
Z-axis Pointing (Ra / Dec) : 98.60 / 25.00 Deg



Start UTC_TIME : 1996-246 // 00:16:24.266
 No End Time :
 Start SCLK : 1/03592660:87:5:7

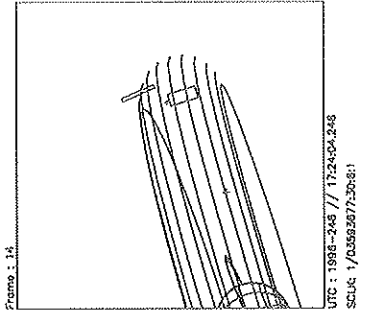
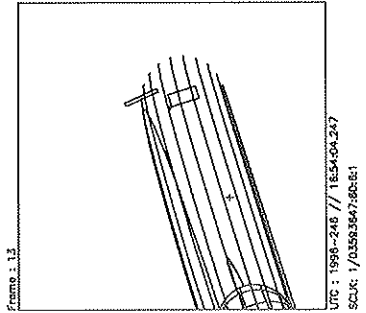
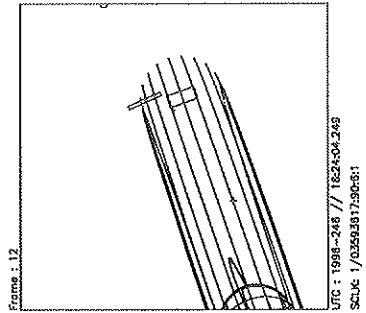
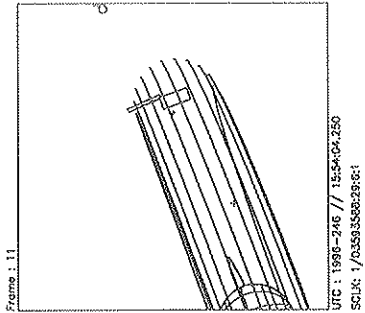
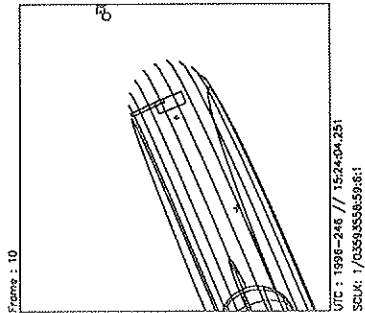
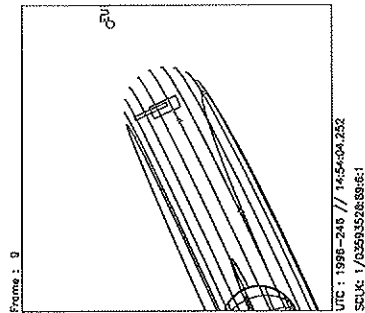
Target Body : JUPITER
 Target Cone/Clock : 100.78 / 91.34 Deg
 S/C to Body Center : 3756793, Km (52.548443 Rj)
 Z-axis Pointing (Ra / Dec) : 98.60 / 25.00 Deg

Activity ID:	Orbit G2	OAPEL TUG2NPRO	SeqNo	02-			
Title	UVS NOON ANSA PROFILE 2, G2 INBOUND		Instrument	UVS			
Requestor	UVS-MWG/S.STEPHENS	Team	UVS	Working Group	MWG		
Time System	CDS	Load ID	G2A	Calendar Date	09/02/96	Week	36
Start	JEE-CDS 00007316:00:0		96-246/10:20:08.600		JEE-005/03:17:17.333		
End	JEE-CDS 00006892:00:0		96-246/17:28:51.267		JEE-004/20:08:34.666		
Duration	00000424:00:0		000/07:08:42.667		000/07:08:42.667		
Top Label	G2TUG2NPRO02-						
Bottom Label	(UVS RTS Torus)						
Plot Key	UVS	Type	SCI				
CDS Bytes	558	Report Options	BOTH		Scan Platform	Yes	
CDS Source	PA	Spin State	DUAL		DMS	No	
Observation Objective							
<p>UVS IO TORUS NOON ANSA RADIAL PROFILE 2, G2 INBOUND (NO EUV): From: 5.22 Rj (inside ribbon) at cone > 90 (ribbon at 5.76 Rj, Sys III W Long 73) To: 6.22 Rj (outside ribbon) at fixed cone Data rate: Instrument states last 30 RIMS; thus, 9.73 bps UVS OPTRTM/UVFLUSH STRATEGY (17,712 bits per UVS PACKET): UVS deselected; thus, 30-RIM UVFLUSHes needed to PACKET UVS, after initial DISCRD Emission lines: UVS (S+ 1259, O+ 3728, S+ 4070), EUV (S++ 685, S+ 765, O+ 834) 2 POSN-22STEP N/G MINISCAN (UVS): N 4040.9-4098.7 (CTR 4071.2, STEP 436) [EVEN FRAMES], G 1239.8-1272.1 (CTR 1256.7, STEP 81) [ODD FRAMES] 2 POSN-1STEP N/N MINISCAN (UVS): N 3728.2 (STEP 313) [EVEN FRAMES], N 4071.2 (STEP 436) [ODD FRAMES]</p>							
Design Detail							
PSID	RIM:mf	CDS PA					
384BD	0	0	COMMENT [UVS RIM 0]				
61BC	2	37	LOOPER [LOOP PERIOD 60, NUM LOOPS 7]				
157BE	3	38	CMDRS (10+14*2) [PLAN DUR 31, EST UVS CMDS 2]				
349KA	3:69	28	UVFLUSH [6UVRT, DISCRD, UVS]				
165BC	4	36	TARGET [CONE 96.05, CLOCK 91.60]				
	4		34UVS,D3,F,N,N,N,S,0,OFF,ON,ON,ON,OFF,NO,1,D5,4E,05,63 [22STEP N/G]				
349KB	32:69	196	UVFLUSH (28*7) [6UVRT, PACKET, UVS]				
	34		34UVS,C1,F,N,N,N,S,0,OFF,ON,OFF,ON,OFF,NO,1,65,06,00,7B [1STEP N/N]				
349KC	62:69	196	UVFLUSH (28*7) [6UVRT, PACKET, UVS]				
...KO			... [REPEAT 6 ADDITIONAL TIMES]				
157BF	423	24	CMDRS (10+14*1) [PLAN DUR 1, EST UVS CMDS 1]				
	424		34UVS,C1,F,N,N,N,S,0,OFF,OFF,ON,OFF,OFF,NO,1,2C,05,00,00 [HVOFF]				



Start UTC_TIME : 1996-246 // 10:24:04.266
No End Time :
Start SCLK : 1/03593261:86:8:1

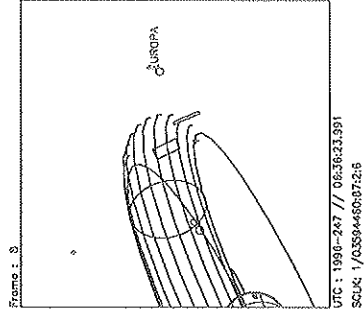
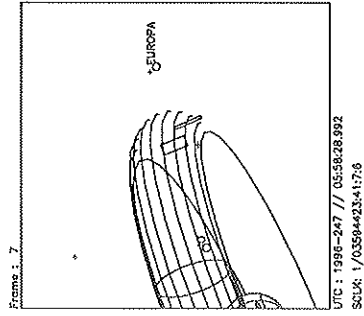
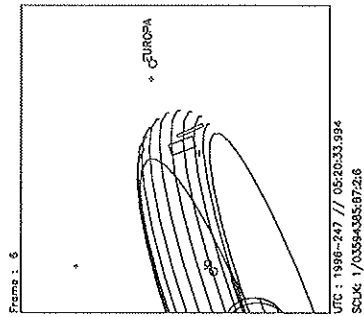
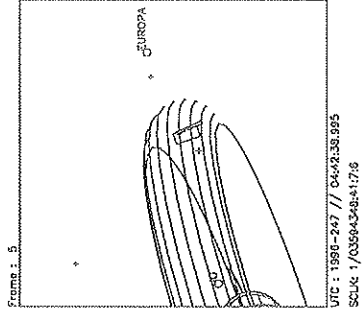
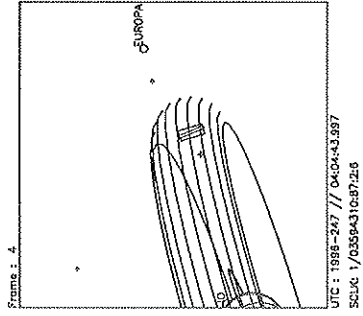
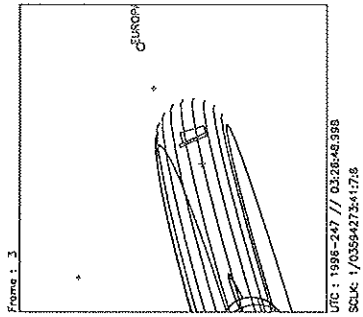
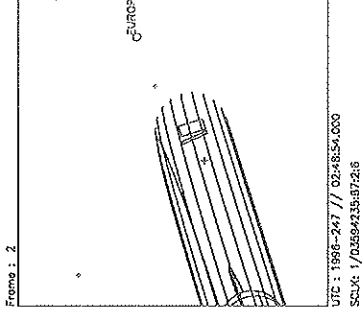
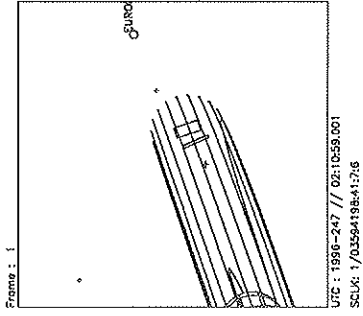
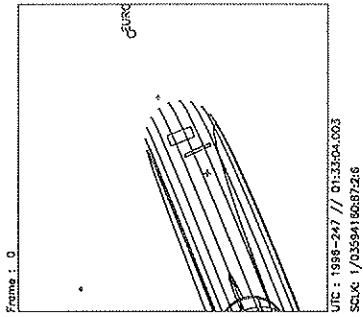
Target Body : JUPITER
Target Cone/Clock : 101.92 / 91.32 Deg
S/C to Body Center : 3646395. Km (51.004237 Rj)
Z-axis Pointing (Ro / Dec) : 98.60 / 25.00 Deg



Start UTC_TIME : 1996-248 // 10:24:04.266
 No End Time :
 Start SCLK : 1/03593261:86:6:1

Target Body : JUPITER
 Target Cone/Clock : 102.89 / 91.30 Deg
 S/C to Body Center : 3556423. Km (49.745745 Rj)
 Z-axis Pointing (Ra / Dec) : 98.60 / 25.00 Deg

Activity ID: Orbit G2	OAPEL TUG2NPRO	SeqNo 03-
Title	UVS NOON ANSA PROFILE 3, G2 INBOUND	Instrument UVS
Requestor	UVS-MWG/S.STEPHENS	Team UVS
		Working Group MWG
Time System CDS	Load ID G2A	Calendar Date 09/03/96
		Week 36
Start	JEE-CDS 00006417:00:0	96-247/01:29:07.933
		JEE-004/12:08:18.000
End	JEE-CDS 00006113:00:0	96-247/06:36:30.600
		JEE-004/07:00:55.333
Duration	00000304:00:0	000/05:07:22.667
		000/05:07:22.667
Top Label	G2TUG2NPRO03-	
Bottom Label	(UVS RTS Torus)	
Plot Key	UVS	Type SCI
CDS Bytes	443	Report Options BOTH
		Scan Platform Yes
CDS Source	PA	Spin State DUAL
		DMS No
Observation Objective		
	UVS IO TORUS NOON ANSA RADIAL PROFILE 3, G2 INBOUND (NO EUV):	
	From: 5.38 Rj (inside ribbon) at cone > 90 (ribbon at 5.76 Rj, Sys III W Long 226)	
	To: 6.21 Rj (outside ribbon) at fixed cone	
	Data rate: Instrument states last 30 RIMS; thus, 9.73 bps UVS	
	OPTRTM/UVFLUSH STRATEGY (17,712 bits per UVS PACKET):	
	UVS deselected; thus, 30-RIM UVFLUSHes needed to PACKET UVS, after initial DISCRD	
	Emission lines: UVS (S+ 1259, O+ 3728, S+ 4070), EUV (S++ 685, S+ 765, O+ 834)	
	2 POSN-22STEP N/G MINISCAN (UVS): N 4040.9-4098.7 (CTR 4071.2, STEP 436) [EVEN FRAMES],	
	G 1239.8-1272.1 (CTR 1256.7, STEP 81) [ODD FRAMES]	
	2 POSN-1STEP N/N MINISCAN (UVS): N 3728.2 (STEP 313) [EVEN FRAMES],	
N 4071.2 (STEP 436) [ODD FRAMES]		
Design Detail		
PSID	RIM:mf	CDS PA
384BE	0	0 COMMENT [UVS RIM 0]
61BD	2	37 LOOPER [LOOP PERIOD 60, NUM LOOPS 5]
157BG	3	38 CMDRS (10+14*2) [PLAN DUR 31, EST UVS CMDS 2]
349KP	3:69	28 UVFLUSH [6UVRT, DISCRD, UVS]
165BD	4	36 TARGET [CONE 98.81, CLOCK 90.45]
	4	34UVS,D3,F,N,N,N,S,0,OFF,ON,ON,ON,OFF,NO,1,D5,4E,05,63 [22STEP N/G]
349KQ	32:69	140 UVFLUSH (28*5) [6UVRT, PACKET, UVS]
	34	34UVS,C1,F,N,N,N,S,0,OFF,ON,OFF,ON,OFF,NO,1,65,06,00,7B [1STEP N/N]
349KR	62:69	140 UVFLUSH (28*5) [6UVRT, PACKET, UVS]
...KZ		... [REPEAT 4 ADDITIONAL TIMES]
157BH	303	24 CMDRS (10+14*1) [PLAN DUR 1, EST UVS CMDS 1]
	304	34UVS,C1,F,N,N,N,S,0,OFF,OFF,ON,OFF,OFF,NO,1,2C,05,00,00 [HVOFF]



Start UTC_TIME : 1996-247 // 01:33:04.000
No End Time :
Start SCLK : 1/03594160:87:2:6

Target Body : JUPITER
Target Cone/Clock : 105.38 / 91.26 Deg
S/C to Body Center : 3337134. Km (46.678424 Rj)
Z-axis Pointing (Ra / Dec) : 98.60 / 25.00 Deg

Activity ID: Orbit G2		OAPEL NUGRATNG		SeqNo 01-	
Title		UVS GRATING MOVEMENT 1		Instrument UVS	
Requestor		UVS-MWG/S.STEPHENS		Team UVS	
				Working Group MWG	
Time System	CDS	Load ID	G2B	Calendar Date	09/11/96
				Week	37
Start	JEE+CDS 00005541:00:0		96-255/10:59:59.933	JEE+003/21:22:34.000	
End	JEE+CDS 00005603:00:0		96-255/12:02:41.266	JEE+003/22:25:15.333	
Duration	00000062:00:0		000/01:02:41.333	000/01:02:41.333	
Top Label	G2NUGRATNG01-				
Bottom Label	(UVS Grating Movement)				
Plot Key	UVS	Type	SCI		
CDS Bytes	38	Report Options	BOTH	Scan Platform	No
CDS Source	PA	Spin State	DUAL	DMS	No
Observation Objective					
	UVS REQUIRED GRATING MOVEMENT 1				
	To comply with Flight Rule 34A05 (UVS Power On) in the G2 Cruise sequences, the UVS				
	grating must be moved at least every two weeks. The UVS Team prefers that we exercise				
	the UVS grating every week, so we are implementing this 4 times in G2B and 3 times				
	in G2C. The FULLSCAN G instrument command will exercise the grating, with HVOFF.				
Design Detail					
PSID	RIM:mf	CDS	PA		
384BF	0	0	COMMENT [UVS RIM 0]		
157BI	1	38	CMDRS (10+14*2) [PLAN DUR 61, EST UVS CMDS 2]		
	2		34UVS,07,S,N,N,N,S,0,OFF,OFF,ON,OFF,OFF,NO,1,2C,9D,00,00 [FULLSCAN G]		
	62		34UVS,C1,F,N,N,N,S,0,OFF,OFF,ON,OFF,OFF,NO,1,2C,05,00,00 [HVOFF]		

Activity ID: Orbit G2		OAPEL NUGRATNG		SeqNo 02-	
Title		UVS GRATING MOVEMENT 2		Instrument UVS	
Requestor		UVS-MWG/S.STEPHENS		Team UVS	
				Working Group MWG	
Time System	CDS	Load ID	G2B	Calendar Date	09/18/96
				Week	38
Start	JEE+CDS 00015510:00:0		96-262/10:59:45.933		JEE+010/21:22:20.000
End	JEE+CDS 00015572:00:0		96-262/12:02:27.266		JEE+010/22:25:01.333
Duration	00000062:00:0		000/01:02:41.333		000/01:02:41.333
Top Label		G2NUGRATNG02-			
Bottom Label		(UVS Grating Movement)			
Plot Key	UVS	Type	SCI		
CDS Bytes	38	Report Options	BOTH	Scan Platform	No
CDS Source	PA	Spin State	DUAL	DMS	No
Observation Objective					
<div style="border: 1px solid black; width: 150px; height: 100px; display: inline-block; vertical-align: top;"></div> <p>UVS REQUIRED GRATING MOVEMENT 2 To comply with Flight Rule 34A05 (UVS Power On) in the G2 Cruise sequences, the UVS grating must be moved at least every two weeks. The UVS Team prefers that we exercise the UVS grating every week, so we are implementing this 4 times in G2B and 3 times in G2C. The FULLSCAN G instrument command will exercise the grating, with HVOFF.</p>					
Design Detail					
PSID	RIM:mf	CDS	PA		
384BG	0	0		COMMENT [UVS RIM 0]	
157BJ	1	38		CMDRS {10+14*2} [PLAN DUR 61, EST UVS CMDS 2]	
	2			34UVS,07,S,N,N,N,S,0,OFF,OFF,ON,OFF,OFF,NO,1,2C,9D,00,00 [FULLSCAN G]	
	62			34UVS,C1,F,N,N,N,S,0,OFF,OFF,ON,OFF,OFF,NO,1,2C,05,00,00 [HVOFF]	

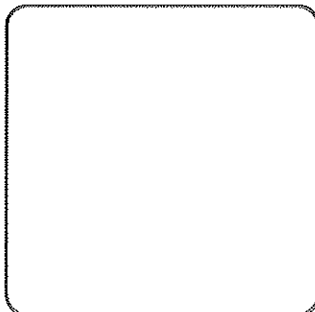
Activity ID: Orbit G2		OAPEL NUGRATNG		SeqNo 03-	
Title		UVS GRATING MOVEMENT 3		Instrument UVS	
Requestor		UVS-MWG/S.STEPHENS		Team UVS	
				Working Group MWG	
Time System	CDS	Load ID	G2B	Calendar Date	09/25/96
				Week	39
Start	JEE+CDS 00025479:00:0		96-269/10:59:31.933		JEE+017/21:22:06.000
End	JEE+CDS 00025541:00:0		96-269/12:02:13.266		JEE+017/22:24:47.333
Duration	00000062:00:0		000/01:02:41.333		000/01:02:41.333
Top Label		G2NUGRATNG03-			
Bottom Label		(UVS Grating Movement)			
Plot Key	UVS	Type	SCI		
CDS Bytes	38	Report Options	BOTH	Scan Platform	No
CDS Source	PA	Spin State	DUAL	DMS	No
Observation Objective					
<div style="border: 1px solid black; width: 150px; height: 100px; display: inline-block; vertical-align: top;"></div> <p>UVS REQUIRED GRATING MOVEMENT 3 To comply with Flight Rule 34A05 (UVS Power On) in the G2 Cruise sequences, the UVS grating must be moved at least every two weeks. The UVS Team prefers that we exercise the UVS grating every week, so we are implementing this 4 times in G2B and 3 times in G2C. The FULLSCAN G instrument command will exercise the grating, with HVOFF.</p>					
Design Detail					
PSID	RIM:mf	CDS	PA		
384BH	0	0		COMMENT [UVS RIM 0]	
157BK	1	38		CMDRS {10+14*2} [PLAN DUR 61, EST UVS CMDS 2]	
	2			34UVS,07,S,N,N,N,S,0,OFF,OFF,ON,OFF,OFF,NO,1,2C,9D,00,00 [FULLSCAN G]	
	62			34UVS,C1,F,N,N,N,S,0,OFF,OFF,ON,OFF,OFF,NO,1,2C,05,00,00 [HVOFF]	

Activity ID: Orbit G2	OAPEL NUGRATNG	SeqNo 04-
Title	UVS GRATING MOVEMENT 4	Instrument UVS
Requestor	UVS-MWG/S.STEPHENS	Team UVS
		Working Group MWG

Time System CDS	Load ID G2B	Calendar Date 10/02/96	Week 40
Start	JEE+CDS 00035449:00:0	96-276/11:00:18.599	JEE+024/21:22:52.666
End	JEE+CDS 00035511:00:0	96-276/12:02:59.933	JEE+024/22:25:34.000
Duration	00000062:00:0	000/01:02:41.334	000/01:02:41.334

Top Label	G2NUGRATNG04-		
Bottom Label	(UVS Grating Movement)		
Plot Key	UVS	Type	SCI
CDS Bytes	94	Report Options	BOTH
		Scan Platform	No
CDS Source	PA	Spin State	DUAL
		DMS	No

Observation Objective



UVS REQUIRED GRATING MOVEMENT 4
 To comply with Flight Rule 34A05 (UVS Power On) in the G2 Cruise sequences, the UVS grating must be moved at least every two weeks. The UVS Team prefers that we exercise the UVS grating every week, so we are implementing this 4 times in G2B and 3 times in G2C.
 The FULLSCAN G instrument command will exercise the grating, with HVOFF. One UVFLUSH to PACKET UVS is performed to verify the health and safety of the instrument during the long cruise portion of the orbit.

Design Detail

PSID	RIM:mf	CDS	PA
384BI	0	0	COMMENT [UVS RIM 0]
157BL	1	38	CMDRS (10+14*2) [PLAN DUR 61, EST UVS CMDS 2]
349QV	1:69	28	UVFLUSH [6UVRT, DISCRD, UVS]
	2		34UVS,07,S,N,N,N,S,0,OFF,OFF,ON,OFF,OFF,NO,1,2C,9D,00,00 [FULLSCAN G]
349QU	60:69	28	UVFLUSH [6UVRT, PACKET, UVS]
	62		34UVS,C1,F,N,N,N,S,0,OFF,OFF,ON,OFF,OFF,NO,1,2C,05,00,00 [HVOFF]

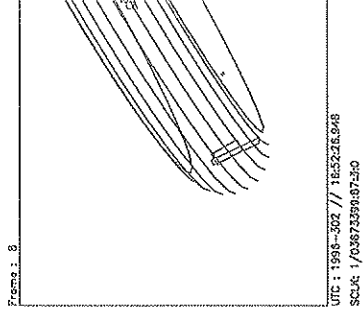
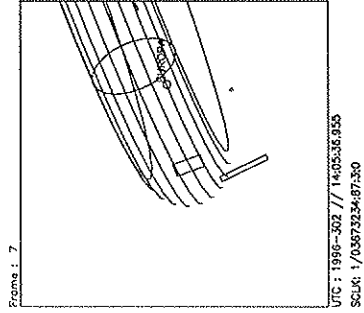
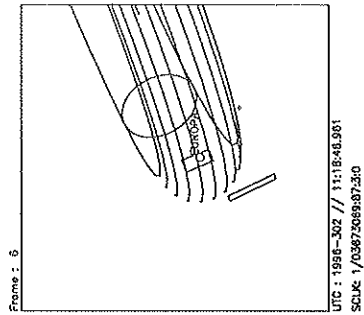
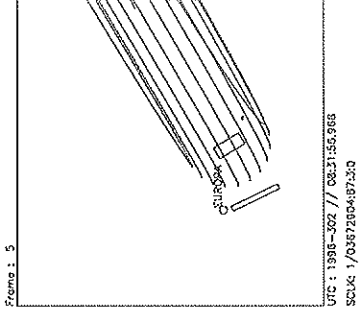
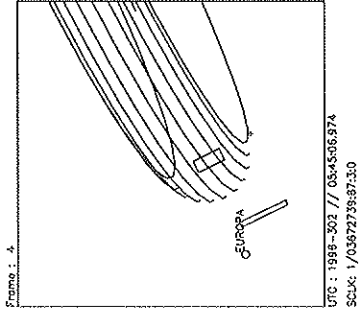
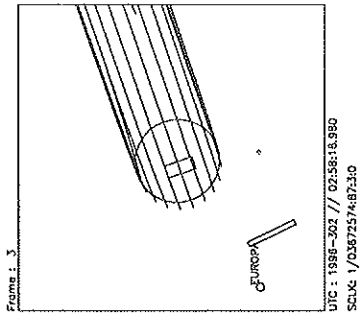
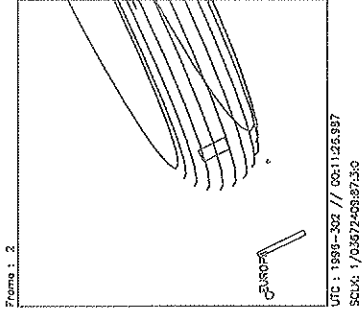
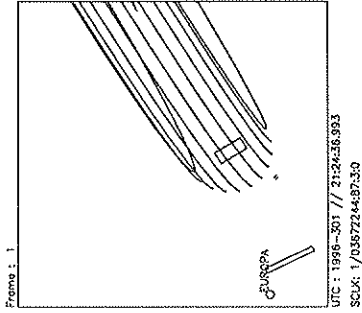
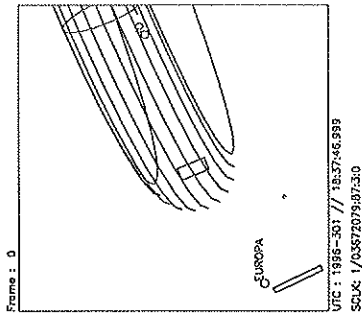
Activity ID: Orbit G2		OAPEL NUGRATNG		SeqNo 05-	
Title		UVS GRATING MOVEMENT 5		Instrument UVS	
Requestor		UVS-MWG/S.STEPHENS		Team UVS	
				Working Group MWG	
Time System CDS		Load ID G2C		Calendar Date 10/09/96	
				Week 41	
Start		JEE+CDS 00045418:00:0		96-283/11:00:04.599	
				JEE+031/21:22:38.666	
End		JEE+CDS 00045480:00:0		96-283/12:02:45.933	
				JEE+031/22:25:20.000	
Duration		00000062:00:0		000/01:02:41.334	
				000/01:02:41.334	
Top Label		G2NUGRATNG05-			
Bottom Label		(UVS Grating Movement)			
Plot Key		UVS		Type SCI	
CDS Bytes		38		Report Options BOTH	
				Scan Platform No	
CDS Source		PA		Spin State DUAL	
				DMS No	
Observation Objective					
<div style="border: 1px solid black; width: 150px; height: 100px; display: inline-block; vertical-align: top;"></div> <p>UVS REQUIRED GRATING MOVEMENT 5 To comply with Flight Rule 34A05 (UVS Power On) in the G2 Cruise sequences, the UVS grating must be moved at least every two weeks. The UVS Team prefers that we exercise the UVS grating every week, so we are implementing this 4 times in G2B and 3 times in G2C. The FULLSCAN G instrument command will exercise the grating, with HVOFF.</p>					
Design Detail					
PSID	RIM:mf	CDS	PA		
384BJ	0	0		COMMENT [UVS RIM 0]	
157BM	1	38		CMDRS (10+14*2) [PLAN DUR 61, EST UVS CMDS 2]	
	2			34UVS,07,S,N,N,N,S,0,OFF,OFF,ON,OFF,OFF,NO,1,2C,9D,00,00 [FULLSCAN G]	
	62			34UVS,C1,F,N,N,N,S,0,OFF,OFF,ON,OFF,OFF,NO,1,2C,05,00,00 [HVOFF]	

Activity ID: Orbit G2		OAPEL NUGRATNG		SeqNo 06-	
Title	UVS GRATING MOVEMENT 6			Instrument	UVS
Requestor	UVS-MWG/S.STEPHENS	Team	UVS	Working Group	MWG
Time System	CDS	Load ID	G2C	Calendar Date	10/16/96
				Week	42
Start	JEE+CDS 00055387:00:0		96-290/10:59:50.599		JEE+038/21:22:24.666
End	JEE+CDS 00055449:00:0		96-290/12:02:31.933		JEE+038/22:25:06.000
Duration	00000062:00:0		000/01:02:41.334		000/01:02:41.334
Top Label	G2NUGRATNG06-				
Bottom Label	(UVS Grating Movement)				
Plot Key	UVS	Type	SCI		
CDS Bytes	38	Report Options	BOTH	Scan Platform	No
CDS Source	PA	Spin State	DUAL	DMS	No
Observation Objective					
<div style="border: 1px solid black; width: 200px; height: 150px; display: inline-block; vertical-align: top;"></div> <p>UVS REQUIRED GRATING MOVEMENT 6 To comply with Flight Rule 34A05 (UVS Power On) in the G2 Cruise sequences, the UVS grating must be moved at least every two weeks. The UVS Team prefers that we exercise the UVS grating every week, so we are implementing this 4 times in G2B and 3 times in G2C. The FULLSCAN G instrument command will exercise the grating, with HVOFF.</p>					
Design Detail					
PSID	RIM:mf	CDS	PA		
384BK	0	0		COMMENT [UVS RIM 0]	
157BN	1	38		CMDRS (10+14*2) [PLAN DUR 61, EST UVS CMDS 2]	
	2			34UVS,07,S,N,N,N,S,0,OFF,OFF,ON,OFF,OFF,NO,1,2C,9D,00,00 [FULLSCAN G]	
	62			34UVS,C1,F,N,N,N,S,0,OFF,OFF,ON,OFF,OFF,NO,1,2C,05,00,00 [HVOFF]	

Activity ID: Orbit G2		OAPEL NUGRATNG		SeqNo 07-	
Title		UVS GRATING MOVEMENT 7		Instrument UVS	
Requestor		UVS-MWG/S.STEPHENS		Team UVS	
				Working Group MWG	
Time System	CDS	Load ID	G2C	Calendar Date	10/23/96
				Week	43
Start	JEE+CDS 00065356:00:0		96-297/10:59:36.599		JEE+045/21:22:10.666
End	JEE+CDS 00065418:00:0		96-297/12:02:17.933		JEE+045/22:24:52.000
Duration	00000062:00:0		000/01:02:41.334		000/01:02:41.334
Top Label		G2NUGRATNG07-			
Bottom Label		(UVS Grating Movement)			
Plot Key	UVS	Type	SCI		
CDS Bytes	38	Report Options	BOTH	Scan Platform	No
CDS Source	PA	Spin State	DUAL	DMS	No
Observation Objective					
	UVS REQUIRED GRATING MOVEMENT 7				
	To comply with Flight Rule 34A05 (UVS Power On) in the G2 Cruise sequences, the UVS				
	grating must be moved at least every two weeks. The UVS Team prefers that we exercise				
	the UVS grating every week, so we are implementing this 4 times in G2B and 3 times				
	in G2C. The FULLSCAN G instrument command will exercise the grating, with HVOFF.				
Design Detail					
PSID	RIM:mf	CDS	PA		
38ABL	0	0	COMMENT [UVS RIM 0]		
157BO	1	38	CMDRS (10+14*2) [PLAN DUR 61, EST UVS CMDS 2]		
	2	34UVS,07,S,N,N,N,S,0,OFF,OFF,ON,OFF,OFF,NO,1,2C,9D,00,00 [FULLSCAN G]			
	62	34UVS,C1,F,N,N,N,S,0,OFF,OFF,ON,OFF,OFF,NO,1,2C,05,00,00 [HVOFF]			

Activity ID: Orbit G2		OAPEL TUC3MANS		SeqNo 01-	
Title	UVS/EUV MDNT ANSA MAP 1, LO RATE C3 INBD			Instrument	UVS
Requestor	UVS-MWG/S.STEPHENS	Team	UVS	Working Group	MWG
Time System	CDS	Load ID	G2C	Calendar Date	10/27/96 Week 43
Start	JEE+CDS 00071501:00:0		96-301/18:32:53.266		JEE+050/04:55:27.333
End	JEE+CDS 00072826:00:0		96-302/16:52:36.599		JEE+051/03:15:10.666
Duration	00001325:00:0		000/22:19:43.333		000/22:19:43.333
Top Label	G2TUC3MANS01-				
Bottom Label	(UVS/EUV RTS Torus)				
Plot Key	UVS	Type	SCI		
CDS Bytes	883	Report Options	BOTH	Scan Platform	Yes
CDS Source	PA	Spin State	DUAL	DMS	No
Observation Objective					
<p>UVS/EUV IO TORUS MIDNIGHT ANSA MAP 1, LOW RATE, C3 INBOUND: From: 9.20 Rj (Europa) at cone 90 (ribbon at 5.76 Rj, Sys III W Long 197) To: 5.95 Rj at cone 90 (8.03 Rj at end of UVS-EUV Lyman-alpha cross-calibration) Data rate: Instrument states last 60 RIMS; thus, 4.87 bps UVS, 4.87 bps EUV OPTRM/UVFLUSH STRATEGY (17,712 bits per UVS or EUV PACKET): UVS/EUV deselected; thus, 60-RIM UVFLUSHes needed to PACKET BOTH, after initial DISCRD WAVELENGTHS (Angstroms): Emission lines: EUV (S++ 685, S+ 765, O+ 834, H2 1216), UVS (S++ 1194, H2 1216, S+ 1259, O+ 3728, S+ 4070) 1POSN-66STEP G MINISCAN (UVS): G 1174.9-1275.2 (CTR 1225.9, STEP 61) [BOTH FRAMES] 2POSN-16STEP N/N MINISCAN (UVS): N 3705.6-3748.0 (CTR 3728.2, STEP</p>					
Design Detail					
PSID	RIM:mf	CDS	PA		
384BN	-2	0		COMMENT [UVS RIM 0]	
176BA	-2	15		SCITLM [PAUSE PB]	
432BE	4	74		OPTRM [UVS EXCLUDE, EUV EXCLUDE, AACS INCLUDE]	
157LR	4	24		CMDRS (10+14*1) [PLAN DUR 1, EST UVS CMDS 1]	
349LA	4:69	28		UVFLUSH [6UVRT, DISCRD, BOTH]	
165BE	5	36		TARGET [CONE 90.00, CLOCK 88.00], UTILITY [7CONE/7STAT, SCAN TYPE 6]	
		5		34UVS,DD,F,N,N,N,S,0,OFF,OFF,ON,ON,OFF,NO,1,48,75,00,00 [66STEP G]	
176BB	6	15		SCITLM [RESUME PB]	
349LB	63:69	224		UVFLUSH (28*8) [6UVRT, PACKET, BOTH]	
...LI				... [REPEAT UVFLUSH 7 ADDITIONAL TIMES]	
61BE	482	37		LOOPER [LOOP PERIOD 120, NUM LOOPS 7]	
157BP	484	38		CMDRS (10+14*2) [PLAN DUR 61, EST UVS CMDS 2]	
		485		34UVS,D1,F,N,N,N,S,0,OFF,ON,OFF,ON,OFF,NO,1,5D,46,00,7B [16STEP N/N]	
349LJ	543:69	196		UVFLUSH (28*7) [6UVRT, PACKET, BOTH]	
		545		34UVS,D3,F,N,N,N,S,0,OFF,ON,ON,OFF,NO,1,D5,4E,05,63 [22STEP N/G]	
349LK	603:69	196		UVFLUSH (28*7) [6UVRT, PACKET, BOTH]	
...LW				... [REPEAT 6 ADDITIONAL TIMES]	

UVS } RA 190.1
 } Dec -5.8

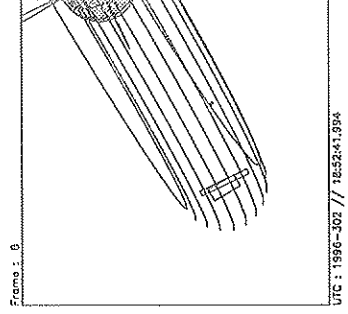
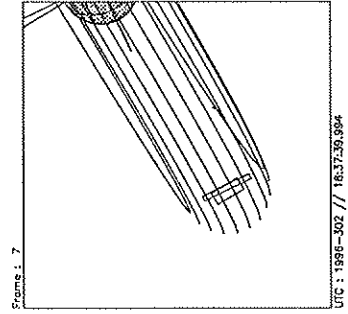
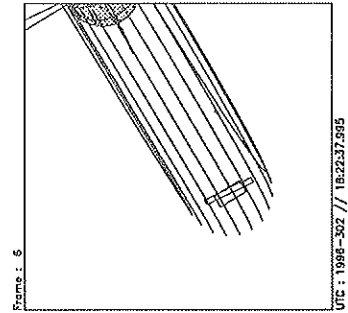
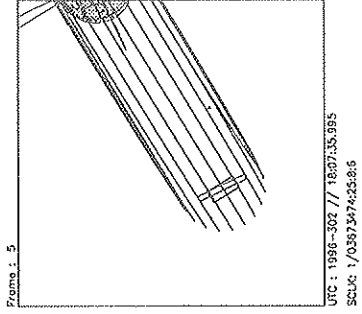
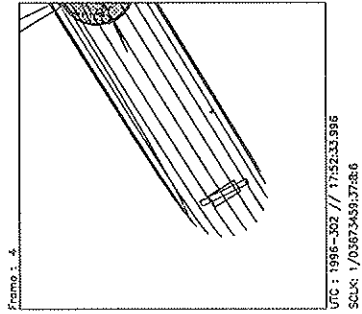
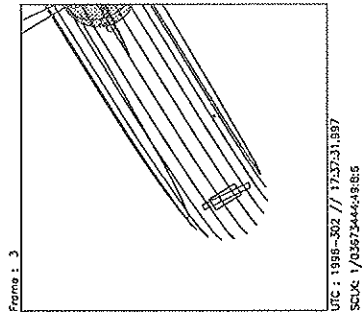
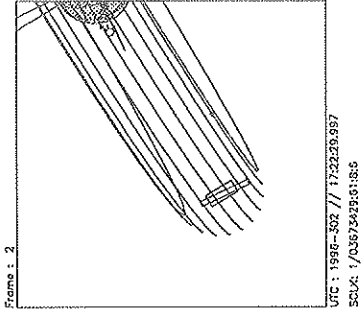
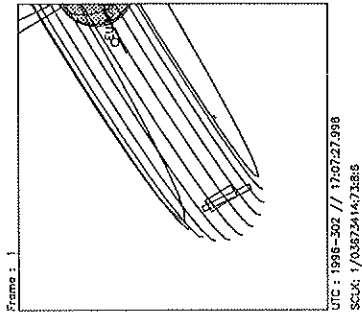
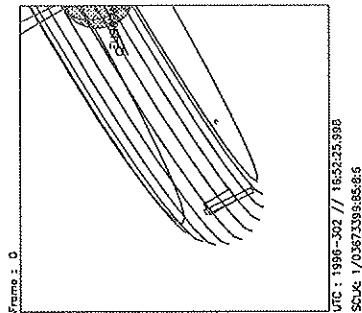


Start UTC_TIME : 1996-301 // 18:37:47.000
No End Time :
Start SCLK : 1/03672079:87:3:0

Target Body : JUPITER
Target Cone/Clock : 82.95 / 88.53 Deg
S/C to Body Center : 5336916. Km (74.678516 Rj)
Z-axis Pointing (Ra / Dec) : 102.80 / 25.00 Deg

Activity ID: Orbit G2	OAPEL TUC3MANS	SeqNo 02-
Title	UVS/EUV MDNT ANSA MAP 2, HI RATE C3 INBD	Instrument UVS
Requestor	UVS-MWG/S.STEPHENS	Team UVS
		Working Group MWG
Time System CDS	Load ID G2C	Calendar Date 10/28/96
		Week 44
Start	JEE+CDS 00072826:00:0	96-302/16:52:36.599
		JEE+051/03:15:10.666
End	JEE+CDS 00072946:00:0	96-302/18:53:56.599
		JEE+051/05:16:30.666
Duration	00000120:00:0	000/02:01:20.000
		000/02:01:20.000
Top Label	G2TUC3MANS02-	
Bottom Label	(UVS/EUV RTS Torus)	
Plot Key	UVS	Type SCI
CDS Bytes	178	Report Options BOTH
		Scan Platform Yes
CDS Source	PA	Spin State DUAL
		DMS No
Observation Objective		
	UVS/EUV IO TORUS MIDNIGHT ANSA MAP 2, HIGH RATE (RIBBON), C3 INBOUND:	
	From: 5.95 Rj at cone 90 (ribbon at 5.76 Rj, Sys III W Long 197)	
	To: 5.65 Rj at cone 90	
	Data rate: Instrument states last 30 RIMS; thus, 9.73 bps UVS, 9.73 bps EUV	
	OPTRM/UVFLUSH STRATEGY (17,712 bits per UVS or EUV PACKET):	
	UVS/EUV deselected; thus, 30-RIM UVFLUSHes needed to PACKET BOTH	
	WAVELENGTHS (Angstroms):	
	Emission lines: UVS (S+ 1259, O+ 3728, S+ 4070), EUV (S++ 685, S+ 765, O+ 834)	
	2POSN-16STEP N/N MINISCAN (UVS): N 3705.6-3748.0 (CTR 3728.2, STEP 313) [EVEN FRAMES],	
	N 4049.2-4090.5 (CTR 4071.2, STEP 436) [ODD FRAMES]	
2POSN-22STEP N/G MINISCAN (UVS): N 4040.9-4098.7 (CTR 4071.2, STEP 436) [EVEN FRAMES],		
G 1239.8-1272.1 (CTR 1256.7, STEP		
Design Detail		
PSID	RIM:mf	CDS PA
384BO	-1	0 COMMENT [UVS RIM 0]
157BQ	-1	66 CMDRS (10+14*4) [PLAN DUR 91, EST UVS CMDS 4]
	0	34UVS, D1, F, N, N, N, S, 0, OFF, ON, OFF, ON, OFF, NO, 1, 5D, 46, 00, 7B [16STEP N/N]
349LX	28:69	28 UVFLUSH [6UVRT, PACKET, BOTH]
	30	34UVS, D3, F, N, N, N, S, 0, OFF, ON, ON, ON, OFF, NO, 1, D5, 4E, 05, 63 [22STEP N/G]
349LY	58:69	28 UVFLUSH [6UVRT, PACKET, BOTH]
	60	34UVS, D1, F, N, N, N, S, 0, OFF, ON, OFF, ON, OFF, NO, 1, 5D, 46, 00, 7B [16STEP N/N]
349LZ	88:69	28 UVFLUSH [6UVRT, PACKET, BOTH]
	90	34UVS, D3, F, N, N, N, S, 0, OFF, ON, ON, ON, OFF, NO, 1, D5, 4E, 05, 63 [22STEP N/G]
349MA	118:69	28 UVFLUSH [6UVRT, PACKET, BOTH]

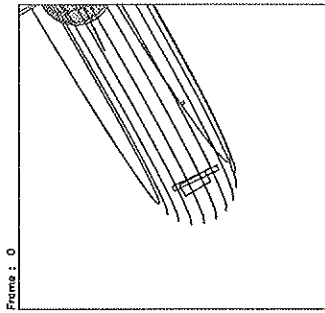
UVS
Cone =
40.729
at 300°



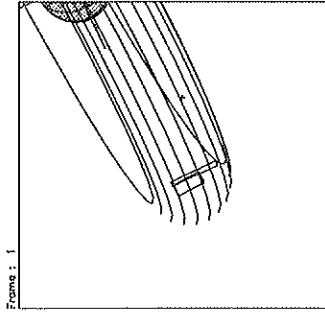
Start UTC_TIME : 1996-302 // 16:52:26.000
No End Time :
Start SCLK : 1/03673399:85:8:6

Target Body : JUPITER
Target Cone/Clock : 85.20 / 88.53 Deg
S/C to Body Center : 5043297. Km (70.543522 Rj)
Z-axis Pointing (Ro / Dec) : 102.80 / 25.00 Deg

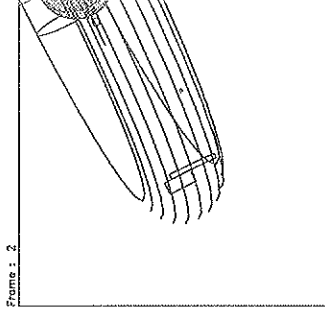
Activity ID: Orbit G2	OAPEL TUC3MANS	SeqNo 03-
Title	UVS/EUV MDNT ANSA MAP 3, LO RATE C3 INBD	Instrument UVS
Requestor	UVS-MWG/S.STEPHENS	Team UVS
		Working Group MWG
Time System CDS	Load ID G2C	Calendar Date 10/28/96
		Week 44
Start	JEE+CDS 00072946:00:0	96-302/18:53:56.599
		JEE+051/05:16:30.666
End	JEE+CDS 00073246:00:0	96-302/23:57:16.599
		JEE+051/10:19:50.666
Duration	00000300:00:0	000/05:03:20.000
		000/05:03:20.000
Top Label	G2TUC3MANS03-	
Bottom Label	(UVS/EUV RTS Torus)	
Plot Key	UVS	Type SCI
CDS Bytes	234	Report Options BOTH
		Scan Platform Yes
CDS Source	PA	Spin State DUAL
		DMS No
Observation Objective		
	UVS/EUV IO TORUS MIDNIGHT ANSA MAP 3, LOW RATE, C3 INBOUND:	
	From: 5.65 Rj at cone 90 (ribbon at 5.76 Rj, Sys III W Long 197)	
	To: 4.91 Rj (inside ribbon) at cone 90	
	Data rate: Instrument states last 60 RIMS; thus, 4.87 bps UVS, 4.87 bps EUV	
	OPTRIM/UVFLUSH STRATEGY (17,712 bits per UVS or EUV PACKET):	
	UVS/EUV deselected; thus, 60-RIM UVFLUSHes needed to PACKET BOTH	
	WAVELENGTHS (Angstroms):	
	Emission lines: UVS (S+ 1259, O+ 3728, S+ 4070), EUV (S++ 685, S+ 765, O+ 834)	
	2POSN-16STEP N/N MINISCAN (UVS): N 3705.6-3748.0 (CTR 3728.2, STEP 313) [EVEN FRAMES],	
	N 4049.2-4090.5 (CTR 4071.2, STEP 436) [ODD FRAMES]	
2POSN-22STEP N/G MINISCAN (UVS): N 4040.9-4098.7 (CTR 4071.2, STEP 436) [EVEN FRAMES],		
G 1239.8-1272.1 (CTR 1256.7, STEP		
Design Detail		
PSID	RIM:mf	CDS PA
384BP	-1	0 COMMENT [UVS RIM 0]
157BR	-1	94 CMDRS (10+14*6) [PLAN DUR 301, EST UVS CMDS 6]
	0	34UVS,,D1,F,N,N,N,S,0,OFF,ON,OFF,ON,OFF,NO,1,5D,46,00,7B [16STEP N/N]
349MB	58:69	28 UVFLUSH [6UVRT, PACKET, BOTH]
	60	34UVS,D3,F,N,N,N,S,0,OFF,ON,ON,ON,OFF,NO,1,D5,4E,05,63 [22STEP N/G]
349MC	118:69	28 UVFLUSH [6UVRT, PACKET, BOTH]
	120	34UVS,,D1,F,N,N,N,S,0,OFF,ON,OFF,ON,OFF,NO,1,5D,46,00,7B [16STEP N/N]
349MD	178:69	28 UVFLUSH [6UVRT, PACKET, BOTH]
	180	34UVS,D3,F,N,N,N,S,0,OFF,ON,ON,ON,OFF,NO,1,D5,4E,05,63 [22STEP N/G]
349ME	238:69	28 UVFLUSH [6UVRT, PACKET, BOTH]
	240	34UVS,,D1,F,N,N,N,S,0,OFF,ON,OFF,ON,OFF,NO,1,5D,46,00,7B [16STEP N/N]
349MF	298:69	28 UVFLUSH [6UVRT, PACKET, BOTH]
	300	34UVS,C1,F,N,N,N,S,0,OFF,OFF,ON,OFF,OFF,NO,1,2C,05,00,00 [HVOFF]



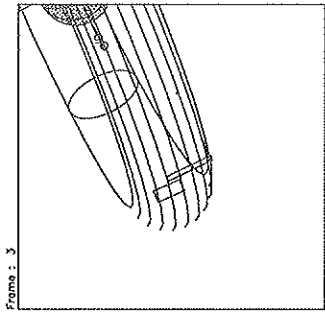
Frame : 0
 UTC : 1996-302 // 18:53:46.000
 SCLK : 1/03673519:85:8:7



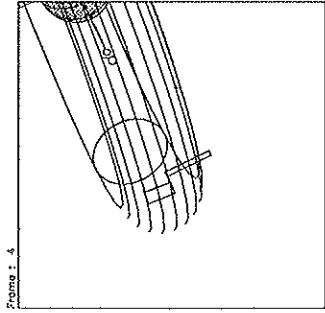
Frame : 1
 UTC : 1996-302 // 19:31:41.001
 SCLK : 1/03673537:40:3:7



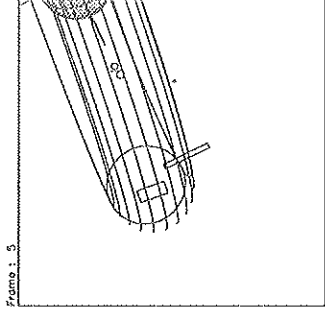
Frame : 2
 UTC : 1996-302 // 20:09:35.999
 SCLK : 1/03673594:85:8:7



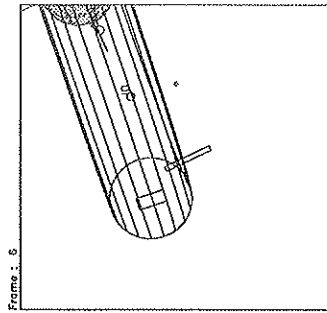
Frame : 3
 UTC : 1996-302 // 20:47:30.999
 SCLK : 1/03673532:40:3:7



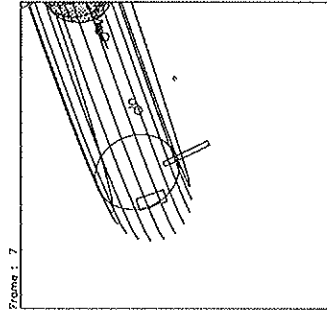
Frame : 4
 UTC : 1996-302 // 21:25:25.996
 SCLK : 1/03673569:85:8:7



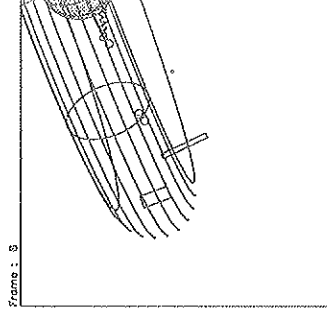
Frame : 5
 UTC : 1996-302 // 22:03:20.999
 SCLK : 1/03673707:40:3:7



Frame : 6
 UTC : 1996-302 // 22:41:13.993
 SCLK : 1/03673744:85:8:7



Frame : 7
 UTC : 1996-302 // 23:19:10.992
 SCLK : 1/03673782:40:3:7

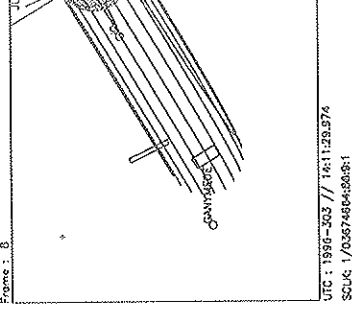
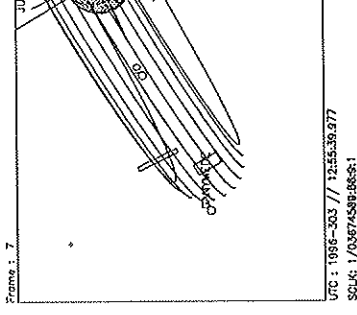
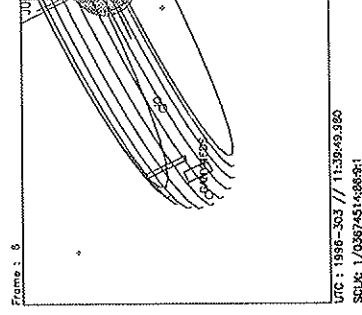
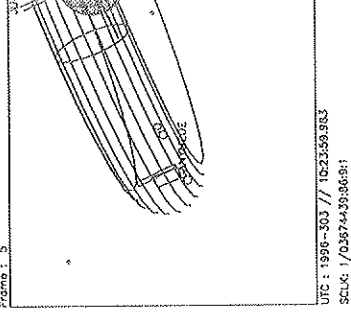
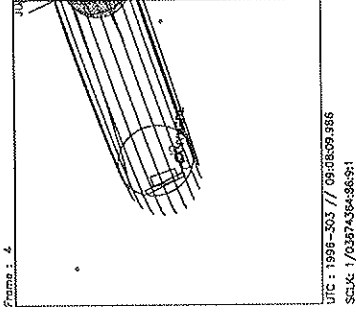
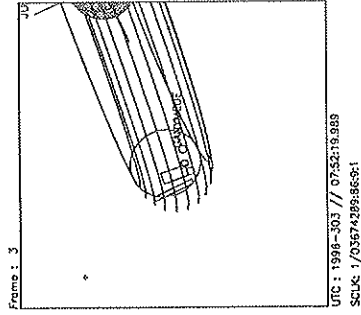
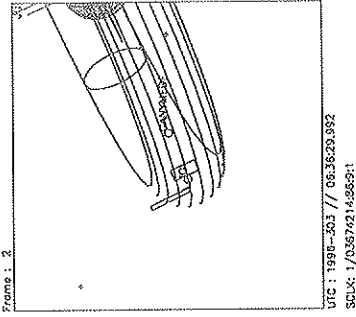
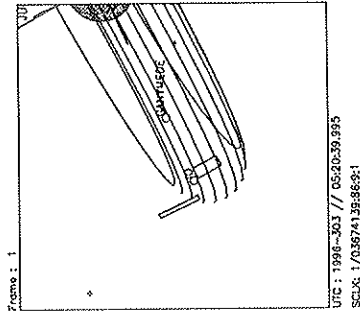
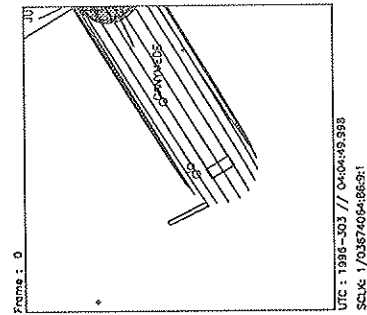


Frame : 8
 UTC : 1996-302 // 23:57:05.990
 SCLK : 1/03673819:85:8:7

Start UTC_TIME : 1996-302 // 18:53:46.000
 No End Time :
 Start SCLK : 1/03673519:85:8:7

Target Body : JUPITER
 Target Cone/Clock : 85.42 / 88.53 Deg
 S/C to Body Center : 5015307. Km (70.152003 Ri)
 Z-axis Pointing (Re / Dec) : 102.80 / 25.00 Deg

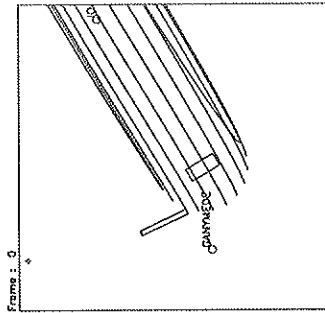
Activity ID: Orbit G2		OAPEL TUC3MPRO		SeqNo 02-	
Title	UVS/EUV MIDNIGHT ANSA PROFILE 2, C3 INBD			Instrument	UVS
Requestor	UVS-MWG/S.STEPHENS	Team	UVS	Working Group	MWG
Time System	CDS	Load ID	G2C	Calendar Date	10/29/96
				Week	44
Start	JEE+CDS 00073486:00:0		96-303/03:59:56.599		JEE+051/14:22:30.666
End	JEE+CDS 00074091:00:0		96-303/14:11:39.933		JEE+052/00:34:14.000
Duration	00000605:00:0		000/10:11:43.334		000/10:11:43.334
Top Label	G2TUC3MPRO02-				
Bottom Label	(UVS/EUV RTS Torus)				
Plot Key	UVS	Type	SCI		
CDS Bytes	270	Report Options	BOTH	Scan Platform	Yes
CDS Source	PA	Spin State	DUAL	DMS	No
Observation Objective					
<div style="border: 1px solid black; width: 150px; height: 100px; display: inline-block; vertical-align: top;"></div> <p>UVS/EUV IO TORUS MIDNIGHT ANSA RADIAL PROFILE 2, C3 INBOUND: From: 6.59 Rj (outside ribbon) at cone > 90 (ribbon at 5.76 Rj, Sys III W Long 29) To: 5.03 Rj (inside ribbon) at fixed cone Data rate: Instrument states last 120 RIMS (EUV 2.43 bps), 600 RIMS (UVS 0.49 bps) OPTRTM/UVFLUSH STRATEGY (17,712 bits per UVS or EUV PACKET): UVS/EUV deselected; thus, 120-RIM UVFLUSHes needed to PACKET EUV, after initial UVFLUSH, 600-RIM UVFLUSH needed to PACKET UVS after initial DISCRD WAVELENGTHS (Angstroms): Emission lines: UVS (S+ 1259, S++ 1729), EUV (S++ 685, S+ 765, O+ 834) 2POSN-22/44STEP G/G MINISCAN (UVS): G 1239.8-1272.1 (CTR 1256.7, STEP 81) [EVEN FRAMES], G 1689.3-1752.4 (CTR 1721.7, STEP 390) [ODD FRAMES]</p>					
Design Detail					
PSID	RIM:mf	CDS	PA		
384BR	0	0		COMMENT [UVS RIM 0]	
349MK	3:69	28		UVFLUSH [6UVRT, PACKET, EUV]	
157BT	4	38		CMDRS (10+14*2) [PLAN DUR 601, EST UVS CMDS 2]	
349ML	4:69	28		UVFLUSH [6UVRT, DISCRD, UVS]	
165BG	5	36		TARGET [CONE 91.93, CLOCK 89.10], UTILITY [7CONE/7STAT, SCAN TYPE 6]	
	5			34UVS, D3, F, N, N, N, S, 0, OFF, OFF, ON, ON, OFF, NO, 1, 72, 65, 01, 2A [22/44STEP G/G]	
349MM	123:69	28		UVFLUSH [6UVRT, PACKET, EUV]	
349MN	243:69	28		UVFLUSH [6UVRT, PACKET, EUV]	
349MO	363:69	28		UVFLUSH [6UVRT, PACKET, EUV]	
349MP	483:69	28		UVFLUSH [6UVRT, PACKET, EUV]	
349MQ	603:69	28		UVFLUSH [6UVRT, PACKET, BOTH]	
	605			34UVS, C1, F, N, N, N, S, 0, OFF, OFF, ON, OFF, OFF, NO, 1, 2C, 05, 00, 00 [HVOFF]	



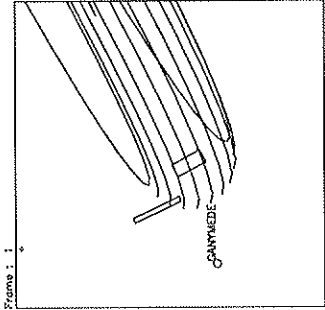
Start UTC_TIME : 1996-303 // 04:04:50.000
 No End Time :
 Start SCLX : 1/03674064:86:9:1

Target Body : JUPITER
 Target Cone/Clock : 86.44 / 88.53 Deg
 S/C to Body Center : 4885736. Km (68.339625 RI)
 Z-axis Pointing (Ra / Dec) : 102.80 / 25.00 Deg

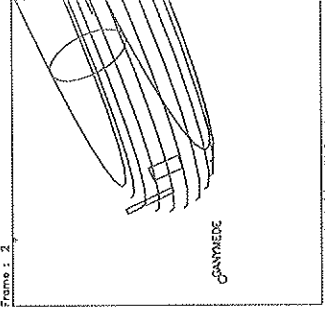
Activity ID: Orbit G2		OAPEL TUC3MPRO		SeqNo 03-	
Title		UVS/EUV MIDNIGHT ANSA PROFILE 3, C3 INBD		Instrument UVS	
Requestor		UVS-MWG/S.STEPHENS		Team UVS	
				Working Group MWG	
Time System CDS		Load ID G2C		Calendar Date 10/29/96	
				Week 44	
Start		JEE+CDS 00074091:00:0		96-303/14:11:39.933	
				JEE+052/00:34:14.000	
End		JEE+CDS 00074659:00:0		96-303/23:45:58.599	
				JEE+052/10:08:32.666	
Duration		00000568:00:0		000/09:34:18.666	
				000/09:34:18.666	
Top Label		G2TUC3MPRO03-			
Bottom Label		(UVS/EUV RTS Torus)			
Plot Key		UVS		Type SCI	
CDS Bytes		384		Report Options BOTH	
				Scan Platform Yes	
CDS Source		PA		Spin State DUAL	
				DMS No	
Observation Objective					
<div style="border: 1px solid black; width: 150px; height: 100px; display: inline-block; vertical-align: top;"></div> <p>UVS/EUV IO TORUS MIDNIGHT ANSA RADIAL PROFILE 3, C3 INBOUND: From: 6.56 Rj (outside ribbon) at cone > 90 (ribbon at 5.76 Rj, Sys III W Long 26) To: 5.04 Rj (inside ribbon) at fixed cone Data rate: Instrument states usually last 60 RIMS (EUV 4.87 bps), 563 RIMS (UVS 0.52 bps) OPTRM/UVFLUSH STRATEGY (17,712 bits per UVS or EUV PACKET): UVS/EUV deselected; thus, 60-RIM UVFLUSHes needed to PACKET EUV, after initial DISCRD, 563-RIM UVFLUSH needed to PACKET UVS, after initial DISCRD WAVELENGTHS (Angstroms): Emission lines: UVS (S+ 1259, S++ 1729), EUV (S++ 685, S+ 765, O+ 834) 2POSN-22/44STEP G/G MINISCAN (UVS): G 1239.8-1272.1 (CTR 1256.7, STEP 81) [EVEN FRAMES], G 1689.3-1752.4 (CTR 1721.7, STEP 390) [ODD FRAMES]</p>					
Design Detail					
PSID	RIM:mf	CDS	PA		
384BS	-2	0		COMMENT [UVS RIM 0]	
176BG	-2	15		SCITLM [PAUSE PB]	
157BV	4	38		CMDRS (10+14*2) [PLAN DUR 564, EST UVS CMDS 2]	
349MW	4:69	28		UVFLUSH [6UVRT, DISCRD, BOTH]	
165BH	5	36		TARGET [CONE 93.28, CLOCK 89.10], UTILITY [7CONE/7STAT, SCAN TYPE 6]	
	5			34UVS,D3,F,N,N,N,S,0,OFF,OFF,ON,ON,OFF,NO,1,72,65,01,2A [22/44STEP G/G]	
176BH	6	15		SCITLM [RESUME PB]	
349MX	63:69	28		UVFLUSH [6UVRT, PACKET, EUV]	
349MY	123:69	28		UVFLUSH [6UVRT, PACKET, EUV]	
349MZ	183:69	28		UVFLUSH [6UVRT, PACKET, EUV]	
349NA	243:69	28		UVFLUSH [6UVRT, PACKET, EUV]	
349NB	303:69	28		UVFLUSH [6UVRT, PACKET, EUV]	
349NC	363:69	28		UVFLUSH [6UVRT, PACKET, EUV]	
349ND	423:69	28		UVFLUSH [6UVRT, PACKET, EUV]	
349NE	483:69	28		UVFLUSH [6UVRT, PACKET, EUV]	
349NF	566:69	28		UVFLUSH [6UVRT, PACKET, BOTH]	
	568			34UVS,C1,F,N,N,N,S,0,OFF,OFF,ON,OFF,OFF,NO,1,2C,05,00,00 [HVOFF]	



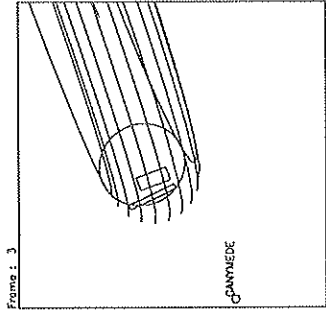
Frame : 0
 UTC : 1996-303 // 14:16:32.999
 SCLK: 1/03674669:86:4:4



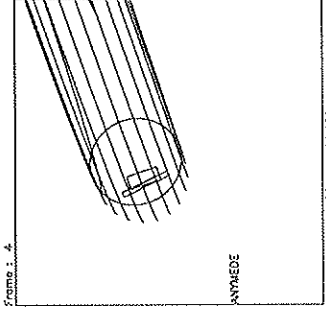
Frame : 6
 UTC : 1996-303 // 15:27:41.998
 SCLK: 1/03674628:86:4:4



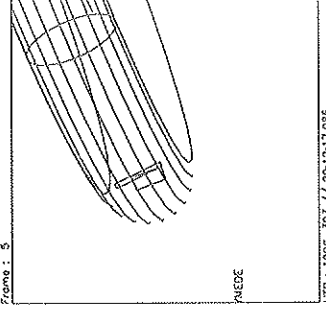
Frame : 2
 UTC : 1996-303 // 16:38:50.994
 SCLK: 1/03674810:02:4:4



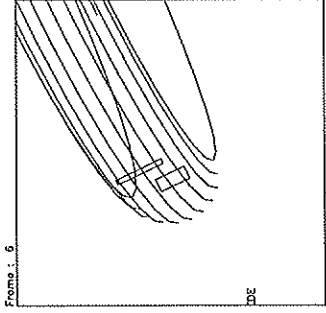
Frame : 3
 UTC : 1996-303 // 17:49:55.991
 SCLK: 1/03674801:04:3:4



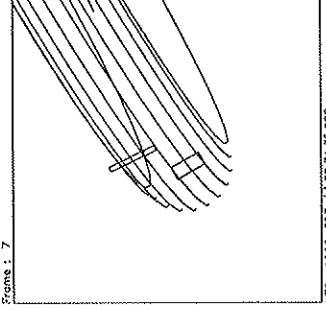
Frame : 4
 UTC : 1996-303 // 18:01:08.988
 SCLK: 1/03674951:38:4:4



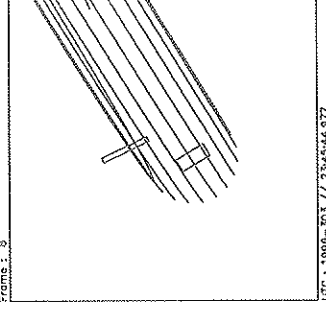
Frame : 5
 UTC : 1996-303 // 20:12:17.985
 SCLK: 1/03675021:71:9:4



Frame : 6
 UTC : 1996-303 // 21:23:26.983
 SCLK: 1/03675092:14:4:4



Frame : 7
 UTC : 1996-303 // 22:34:35.990
 SCLK: 1/03675182:47:9:4



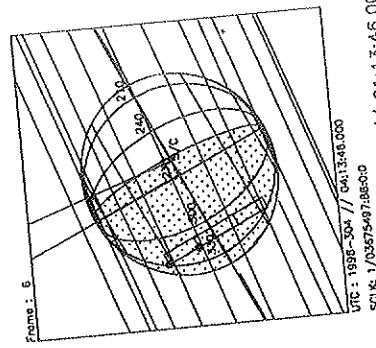
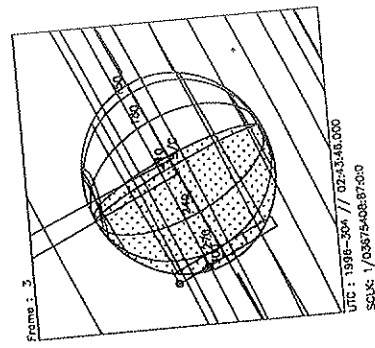
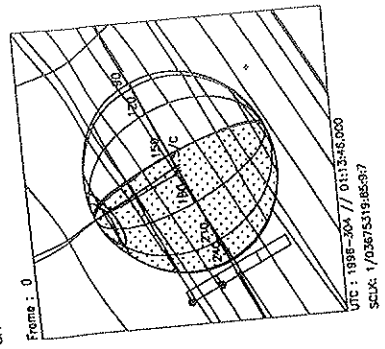
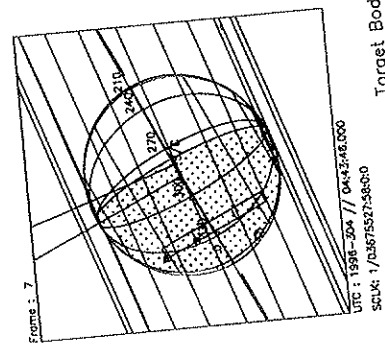
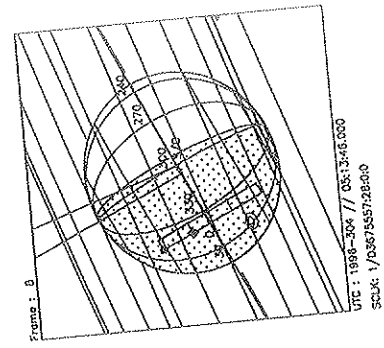
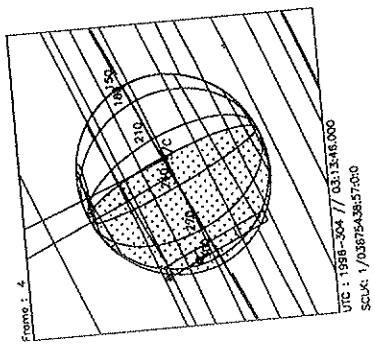
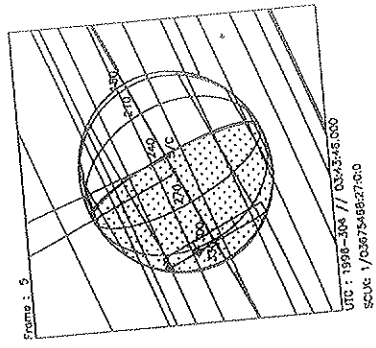
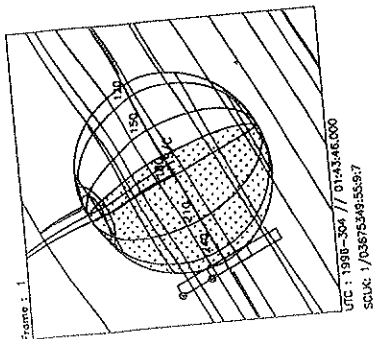
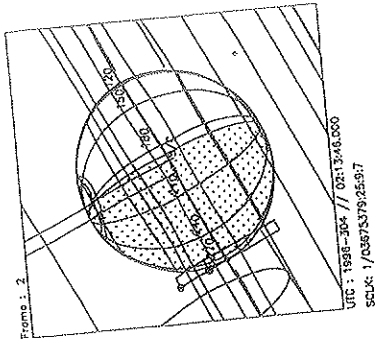
Frame : 8
 UTC : 1996-303 // 23:45:44.977
 SCLK: 1/03675252:31:8:4

Start UTC_TIME : 1996-303 // 14:16:33.000
 No End Time :
 Start SCLK : 1/03674669:86:4:4

Target Body : JUPITER
 Target Cone/Clock : 87.64 / 88.52 Deg
 S/C to Body Center : 4737022. Km (66.259465 Ri)
 Z-axis Pointing (Ra / Dec) : 102.80 / 25.00 Deg

Activity ID: Orbit G2		OAPEL JUC3AURA		SeqNo 01-	
Title		UVS/EUV AURORA MAP 1, LO RATE C3 INBD		Instrument UVS	
Requestor		UVS-MWG/S.STEPHENS		Team UVS	
				Working Group MWG	
Time System CDS		Load ID G2C		Calendar Date 10/30/96	
				Week 44	
Start		JEE+CDS 00074741:00:0		96-304/01:08:53.266	
				JEE+052/11:31:27.333	
End		JEE+CDS 00075126:00:0		96-304/07:38:09.933	
				JEE+052/18:00:44.000	
Duration		00000385:00:0		000/06:29:16.667	
				000/06:29:16.667	
Top Label		G2JUC3AURA01-			
Bottom Label		(UVS/EUV RTS Aurora)			
Plot Key		UVS		Type SCI	
CDS Bytes		337		Report Options BOTH	
				Scan Platform Yes	
CDS Source		PA		Spin State DUAL	
				DMS No	
Observation Objective					
<div style="border: 1px solid black; padding: 5px; width: 200px; float: left; margin-right: 10px;"></div> UVS/EUV JUPITER AURORA MAP 1 (DARK SIDE), LOW RATE, C3 INBOUND: From: 1.2 Rj (outside Jupiter) at cone 90 (TARGETING Jupiter equator) To: Re-TARGET at cone 90 (TARGETING 60 deg South latitude, 25 deg long), dark limb Data rate: Instrument states usually last 60 RIMS; thus, 4.87 bps UVS, 4.87 bps EUV OPTRIM/UVFLUSH STRATEGY (17,712 bits per UVS or EUV PACKET): UVS/EUV deselected; thus, 60-RIM UVFLUSHes needed to PACKET BOTH, after initial UVFLUSH WAVELENGTHS (Angstroms): Emission lines: UVS (H2 1253, H2 1611) FULLSCAN F/G (UVS): F 1616.5-3227.9 (CTR 2436.8, STEP 264) [EVEN FRAMES], G 1131.5-1920.1 (CTR 1534.7, STEP 264) [ODD FRAMES] Strategy for MINISCANS: Use FULLSCAN F/G, until AURA03 (BRIGHT					
Design Detail					
PSID	RIM:mf	CDS	PA		
384BU	0	0		COMMENT [UVS RIM 0]	
157BX	4	24		CMDRS (10+14*1) [PLAN DUR 1, EST UVS CMDS 1]	
349NI	4:69	28		UVFLUSH [6UVRT, DISCRD, UVS]	
165BI	5	36		TARGET [CONE 90.00, CLOCK 88.50], UTILITY [7CONE/7STAT, SCAN TYPE 6]	
	5			34UVS, 07, S, N, N, N, S, 0, ON, OFF, ON, ON, OFF, NO, 1, 00, 9C, 01, 2C [FULLSCAN F/G]	
176BJ	6	15		SCITLM [RESUME PB]	
349NJ	63:69	28		UVFLUSH [6UVRT, PACKET, BOTH]	
349NK	123:69	28		UVFLUSH [6UVRT, PACKET, BOTH]	
349NL	183:69	28		UVFLUSH [6UVRT, PACKET, BOTH]	
349NM	243:69	28		UVFLUSH [6UVRT, PACKET, BOTH]	
176BC	300	15		SCITLM [PAUSE PB]	
349NN	303:69	28		UVFLUSH [6UVRT, PACKET, BOTH]	
165BQ	305	36		TARGET [CONE 90.00, CLOCK 87.79], UTILITY [7CONE/7STAT, SCAN TYPE 6]	
176BD	307	15		SCITLM [RESUME PB]	
349NO	383:69	28		UVFLUSH [6UVRT, PACKET, BOTH]	

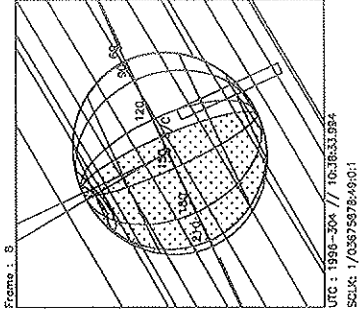
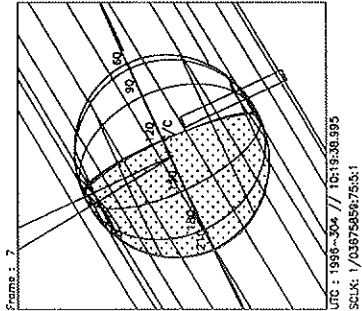
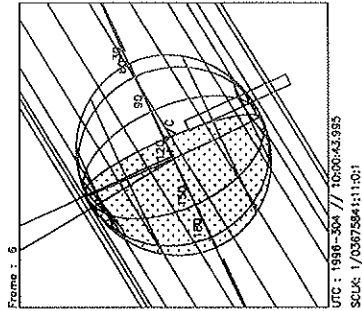
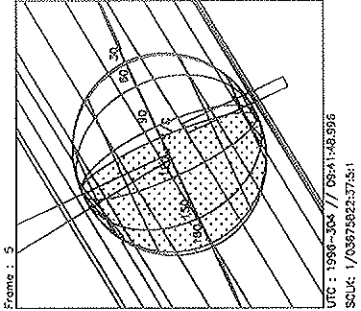
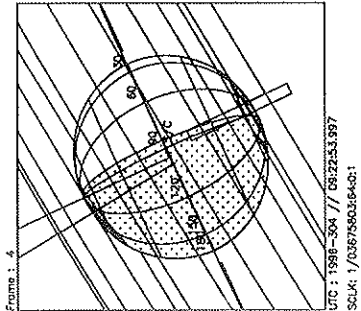
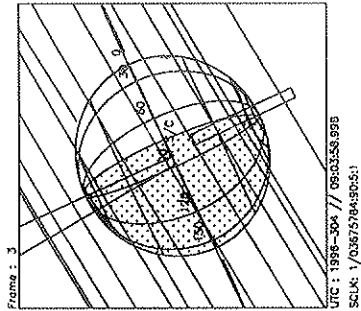
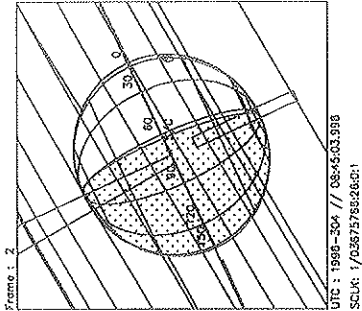
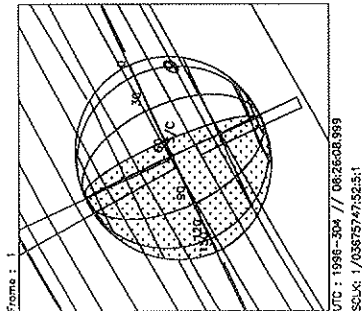
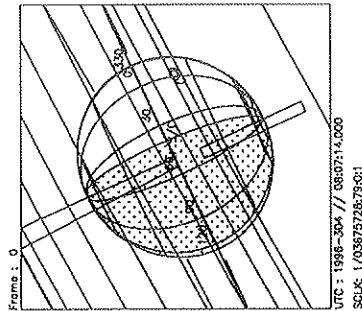
Mon Jul 29 16:45:47 1996



Target Body : JUPITER
 Target Cone/Clock : 89.01 / 88.52 Deg
 S/C to Body Center : 4571189. Km (63.939873 Rj)
 Z-axis Pointing (Ro / Dec) : 102.80 / 25.00 Deg

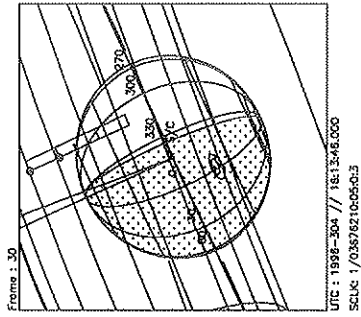
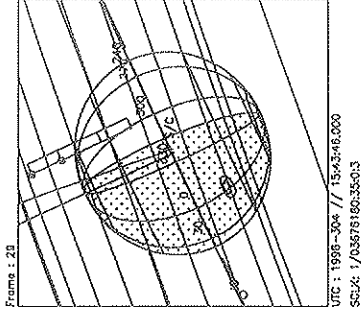
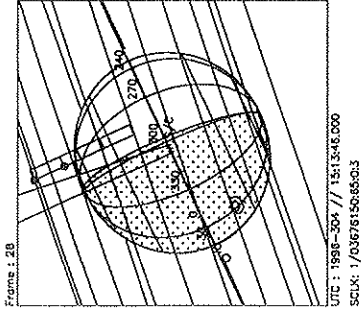
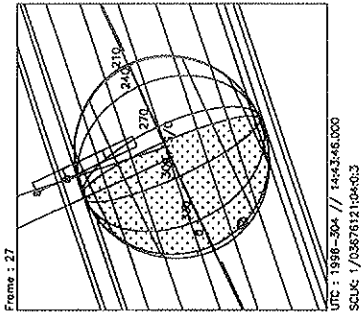
Start UTC_TIME : 1996-304 // 01:13:46.000
 End UTC_TIME : 1996-304 // 16:23:46.000
 Start SCLX : 1/03675319:85:9:7
 Delta Time between FOV : 1800.000
 FOVs : F Channel(0.1x0.4), N/G Channel(0.5x0.5)

Activity ID: Orbit G2		OAPEL JUC3AURA		SeqNo 02-	
Title	UVS/EUV AURORA MAP 2, HI RATE C3 INBD			Instrument	UVS
Requestor	UVS-MWG/S.STEPHENS	Team	UVS	Working Group	MWG
Time System	CDS	Load ID	G2C	Calendar Date	10/30/96
				Week	44
Start	JEE+CDS 00075126:00:0		96-304/07:38:09.933		JEE+052/18:00:44.000
End	JEE+CDS 00075246:00:0		96-304/09:39:29.933		JEE+052/20:02:04.000
Duration	00000120:00:0		000/02:01:20.000		000/02:01:20.000
Top Label	G2JUC3AURA02-				
Bottom Label	(UVS/EUV RTS Aurora)				
Plot Key	UVS	Type	SCI		
CDS Bytes	112	Report Options	BOTH	Scan Platform	Yes
CDS Source	PA	Spin State	DUAL	DMS	No
Observation Objective					
<div style="border: 1px solid black; padding: 5px;"> <p>UVS/EUV JUPITER AURORA MAP 2 (BRIGHT SIDE), HIGH RATE (JUPITER CENTER), C3 INBOUND: From: Cone 90 (TARGETing 60 deg South latitude), dark limb To: Cone 90, bright limb Data rate: Instrument states last 30 RIMS; thus, 9.73 bps UVS, 9.73 bps EUV OPTRM/UVFLUSH STRATEGY (17,712 bits per UVS or EUV PACKET): UVS/EUV deselected; thus, 30-RIM UVFLUSHes needed to PACKET BOTH WAVELENGTHS (Angstroms): Emission lines: UVS (H2 1253, H2 1611) FULLSCAN F/G (UVS): F 1616.5-3227.9 (CTR 2436.8, STEP 264) [EVEN FRAMES], G 1131.5-1920.1 (CTR 1534.7, STEP 264) [ODD FRAMES] Strategy for MINISCANS: Use FULLSCAN F/G, until AURA03 (BRIGHT SIDE)</p> </div>					
Design Detail					
PSID	RIM:mf	CDS	PA		
384BV	0	0		COMMENT [UVS RIM 0]	
349NP	28:69	28		UVFLUSH [6UVRT, PACKET, BOTH]	
349NQ	58:69	28		UVFLUSH [6UVRT, PACKET, BOTH]	
349NR	88:69	28		UVFLUSH [6UVRT, PACKET, BOTH]	
349NS	118:69	28		UVFLUSH [6UVRT, PACKET, BOTH]	



Start UTC_TIME : 1996-304 // 08:07:14.000
 No End Time :
 Start SCLK : 1/03675728:79:0:1

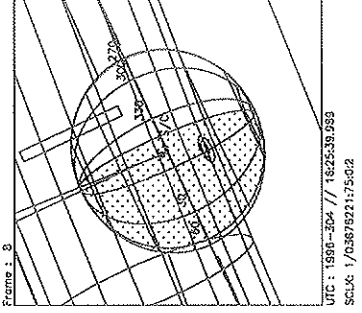
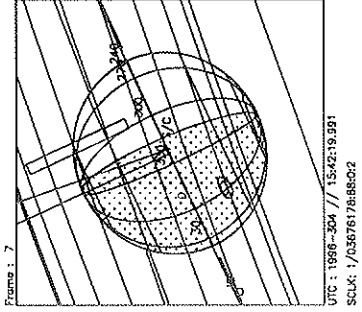
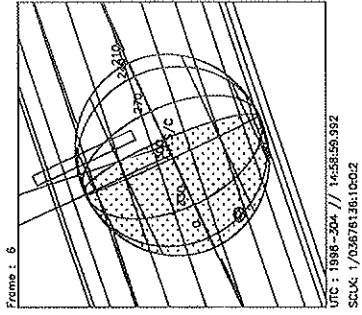
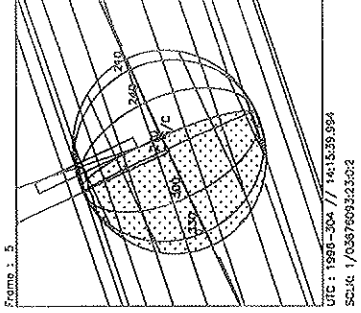
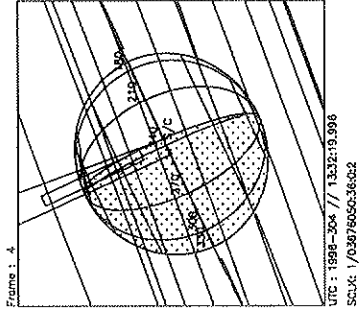
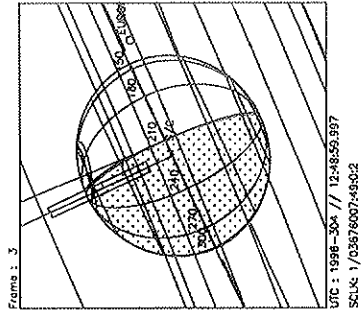
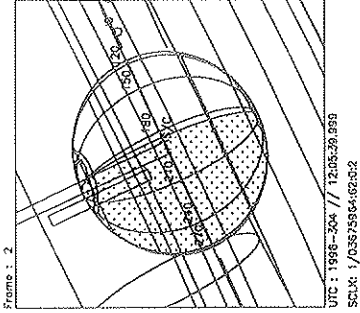
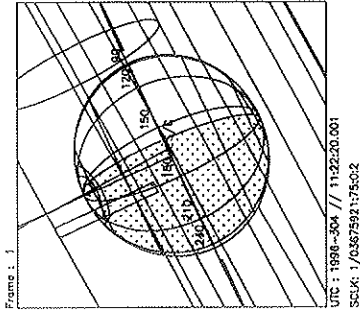
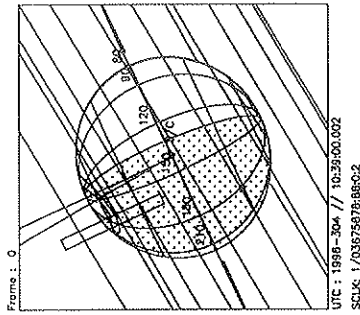
Target Body : JUPITER
 Target Cone/Clock : 89.93 / 88.52 Deg
 S/C to Body Center : 4463503. Km (62.433597 Ri)
 Z-axis Pointing (Ro / Dec) : 102.80 / 25.00 Deg



Start UTC_TIME : 1996-304 // 01:13:46.000
 End UTC_TIME : 1996-304 // 16:23:46.000
 Start SCLK : 1/03675319:85:9
 Delta Time between FOV : 1800.000
 FOVs : F Channel(0.1x0.4), N/G Channel(0.5x0.5)

Target Body : JUPITER
 Target Cone/Clock : 90.86 / 88.52 Deg
 S/C to Body Center : 435769. Km (60.953667 Ri)
 Z-axis Pointing (Ra / Dec) : 102.80 / 25.00 Deg

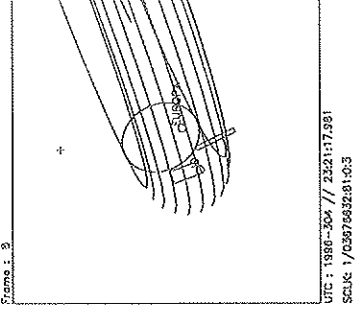
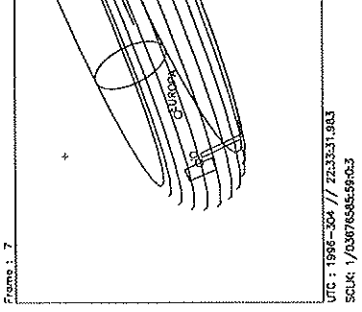
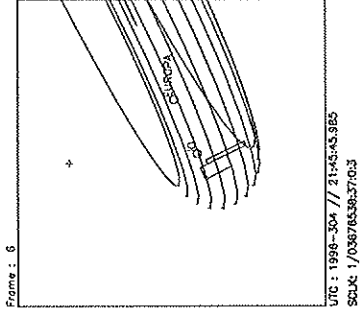
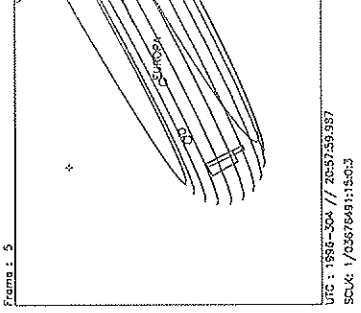
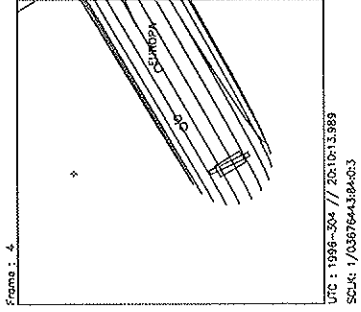
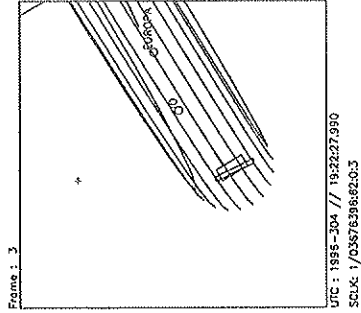
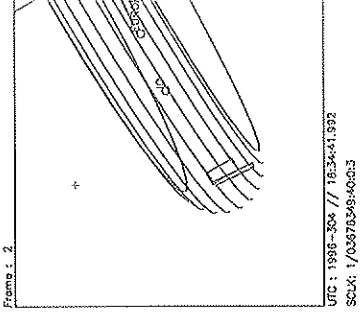
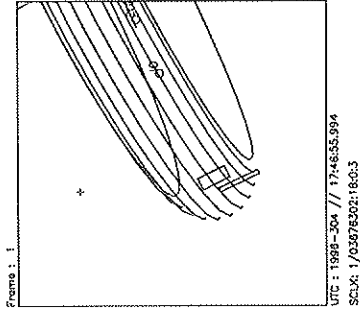
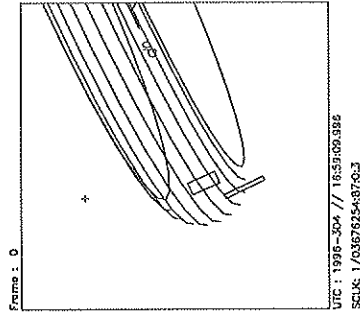
Activity ID: Orbit G2		OAPEL JUC3AURA		SeqNo 03-	
Title	UVS/EUV AURORA MAP 3, LO RATE C3 INBD			Instrument	UVS
Requestor	UVS-MWG/S.STEPHENS	Team	UVS	Working Group	MWG
Time System	CDS	Load ID	G2C	Calendar Date	10/30/96
				Week	44
Start	JEE+CDS 00075246:00:0		96-304/09:39:29.933		JEE+052/20:02:04.000
End	JEE+CDS 00075666:00:0		96-304/16:44:09.933		JEE+053/03:06:44.000
Duration	00000420:00:0		000/07:04:40.000		000/07:04:40.000
Top Label	G2JUC3AURA03-				
Bottom Label	(UVS/EUV RTS Aurora)				
Plot Key	UVS	Type	SCI		
CDS Bytes	300	Report Options	BOTH	Scan Platform	Yes
CDS Source	PA	Spin State	DUAL	DMS	No
Observation Objective					
<p>UVS/EUV JUPITER AURORA MAP 3 (BRIGHT SIDE), LOW RATE, C3 INBOUND: From: Cone 90 (TARGETing 60 deg South latitude), bright limb To: TARGET at cone 90.60 (TARGETing back to 60 deg North latitude, 180 deg long) Data rate: Instrument states last 60 RIMS; thus, 4.87 bps UVS, 4.87 bps EUV OPTRIM/UVFLUSH STRATEGY (17,712 bits per UVS or EUV PACKET): UVS/EUV deselected; thus, 60-RIM UVFLUSHes needed to PACKET BOTH WAVELENGTHS (Angstroms): Emission lines: UVS (H2 1253, H2 1611) FULLSCAN G (UVS): G 1131.5-1920.1 (CTR 1534.7, STEP 264) [EVEN FRAMES], G 1131.5-1920.1 (CTR 1534.7, STEP 264) [ODD FRAMES] Strategy for MINISCANS: Use FULLSCAN G for AURA03 (BRIGHT SIDE)</p>					
Design Detail					
PSID	RIM:mf	CDS	PA		
384BW	-1	0		COMMENT [UVS RIM 0]	
157BZ	-1	38		CMDRS (10+14*2) [PLAN DUR 421, EST UVS CMDS 2]	
	0			34UVS, 07, S, N, N, N, S, 0, OFF, OFF, ON, ON, OFF, NO, 1, 2C, 9D, 00, 00 [FULLSCAN G]	
176BE	55	15		SCITLM [PAUSE PB]	
349NT	58:69	28		UVFLUSH [6UVRT, PACKET, BOTH]	
165BR	60	36		TARGET [CONE 90.26, CLOCK 89.26], UTILITY [7CONE/7STAT, SCAN TYPE 6]	
176BF	61	15		SCITLM [RESUME PB]	
349NU	1:18:69	28		UVFLUSH [6UVRT, PACKET, BOTH]	
349NV	1:78:69	28		UVFLUSH [6UVRT, PACKET, BOTH]	
349NW	2:38:69	28		UVFLUSH [6UVRT, PACKET, BOTH]	
349NX	2:98:69	28		UVFLUSH [6UVRT, PACKET, BOTH]	
349NY	3:58:69	28		UVFLUSH [6UVRT, PACKET, BOTH]	
349NZ	4:18:69	28		UVFLUSH [6UVRT, PACKET, BOTH]	
	420			34UVS, C1, F, N, N, N, S, 0, OFF, OFF, ON, OFF, OFF, NO, 1, 2C, 05, 00, 00 [HVOFF]	



Start UTC_TIME : 1996-304 // 10:39:00.000
No End Time :
Start SCLK : 1/03675878:88:0:2

Target Body : JUPITER
Target Cone/Clock : 90.28 / 88.52 Deg
S/C to Body Center : 4423.305 Km (61.871328 Rj)
Z-axis Pointing (Ra / Dec) : 102.80 / 25.00 Deg

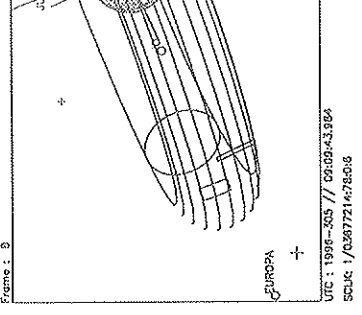
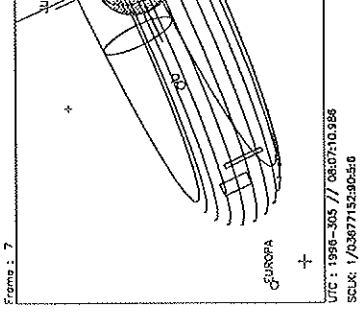
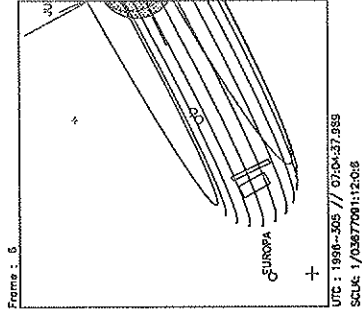
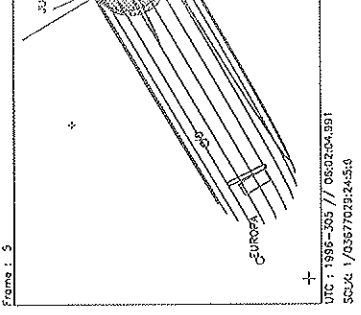
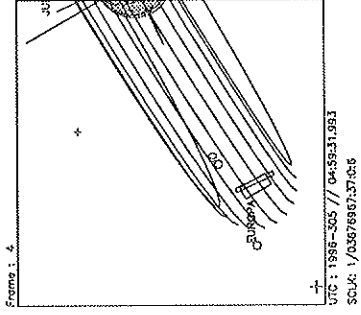
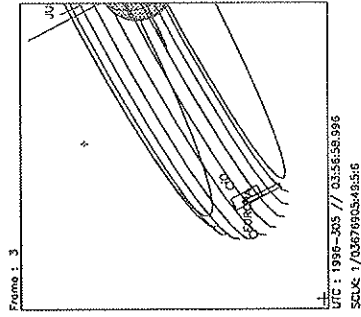
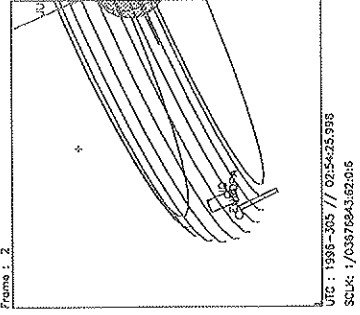
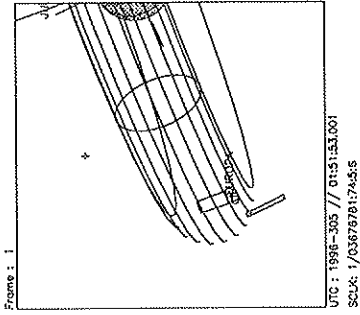
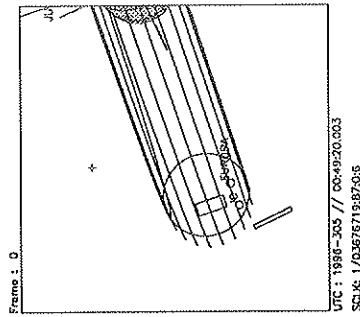
Activity ID: Orbit G2		OAPEL TUC3MPRO		SeqNo 04-	
Title	UVS/EUV MIDNIGHT ANSA PROFILE 4, C3 INBD			Instrument	UVS
Requestor	UVS-MWG/S.STEPHENS		Team	UVS	Working Group MWG
Time System	CDS	Load ID	G2C	Calendar Date	10/30/96 Week 44
Start	JEE+CDS 00075676:00:0		96-304/16:54:16.599		JEE+053/03:16:50.666
End	JEE+CDS 00076059:00:0		96-304/23:21:31.933		JEE+053/09:44:06.000
Duration	00000383:00:0		000/06:27:15.334		000/06:27:15.334
Top Label	G2TUC3MPRO04-				
Bottom Label	(UVS/EUV RTS Torus)				
Plot Key	UVS	Type	SCI		
CDS Bytes	361	Report Options	BOTH	Scan Platform	Yes
CDS Source	PA	Spin State	DUAL	DMS	No
Observation Objective					
<p>UVS/EUV IO TORUS MIDNIGHT ANSA RADIAL PROFILE 4, C3 INBOUND: From: 6.36 Rj (outside ribbon) at cone > 90 (ribbon at 5.76 Rj, Sys III W Long 215) To: 5.23 Rj (inside ribbon) at fixed cone Data rate: Instrument states usually last 60 RIMS; thus, 4.87 bps UVS, 4.87 bps EUV OPTRTM/UVFLUSH STRATEGY (17,712 bits per UVS or EUV PACKET): UVS/EUV deselected; thus, 60-RIM UVFLUSHes needed to PACKET BOTH, after initial DISCRD WAVELENGTHS (Angstroms): Emission lines: UVS (S+ 1259, O+ 3728, S+ 4070), EUV (S++ 685, S+ 765, O+ 834) 2POSN-16STEP N/N MINISCAN (UVS): N 3705.6-3748.0 (CTR 3728.2, STEP 313) [EVEN FRAMES], N 4049.2-4090.5 (CTR 4071.2, STEP 436) [ODD FRAMES] 2POSN-22STEP N/G MINISCAN (UVS): N 4040.9-4098.7 (CTR 4071.2, STEP</p>					
Design Detail					
PSID	RIM:mf	CDS	PA		
384BY	-2	0		COMMENT [UVS RIM 0]	
176BK	-2	15		SCITLM [PAUSE PB]	
61BJ	2	37		LOOPER [LOOP PERIOD 120, NUM LOOPS 3]	
157LB	4	38		CMDRS (10+14*2) [PLAN DUR 61, EST UVS CMDS 2]	
349OA	4:69	28		UVFLUSH [6UVRT, DISCRD, BOTH]	
165BJ	5	36		TARGET [CONE 97.19, CLOCK 87.90], UTILITY [7CONE/7STAT, SCAN TYPE 6]	
	5			34UVS,D1,F,N,N,N,S,0,OFF,ON,OFF,ON,OFF,NO,1,5D,46,00,7B [16STEP N/N]	
176BL	6	15		SCITLM [RESUME PB]	
349OB	63:69	84		UVFLUSH (28*3) [6UVRT, PACKET, BOTH]	
	65			34UVS,D3,F,N,N,N,S,0,OFF,ON,ON,ON,OFF,NO,1,D5,4E,05,63 [22STEP N/G]	
349OC	123:69	84		UVFLUSH (28*3) [6UVRT, PACKET, BOTH]	
...OG				... [REPEAT 2 ADDITIONAL TIMES, BUT DELAY LAST UVFLUSH TO RIM 381:69]	
157LC	382	24		CMDRS (10+14*1) [PLAN DUR 1, EST UVS CMDS 1]	
	383			34UVS,C1,F,N,N,N,S,0,OFF,OFF,ON,OFF,OFF,NO,1,2C,05,00,00 [HVOFF]	



Start UTC_TIME : 1996-304 // 16:59:10.000
No End Time :
Start SCLK : 1/03676254:87:0:3

Target Body : JUPITER
Target Cone/Clock : 91.19 / 88.52 Deg
S/C to Body Center : 4320990. Km (60.440190 Ri)
Z-axis Pointing (Ra / Dec) : 102.80 / 25.00 Deg

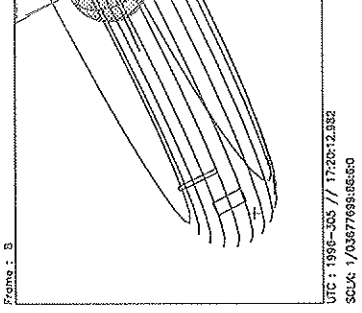
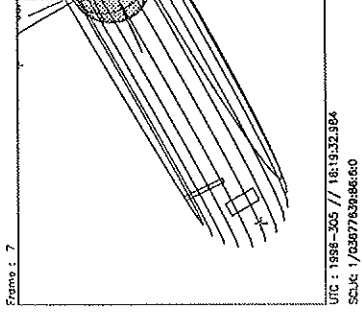
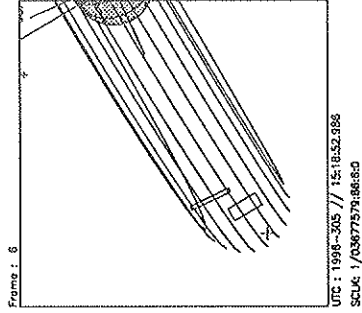
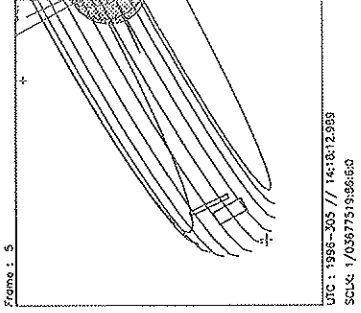
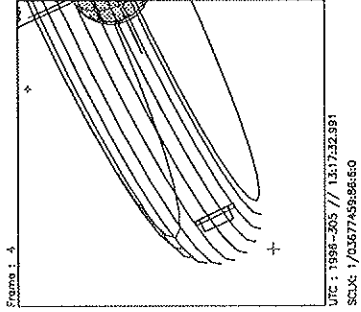
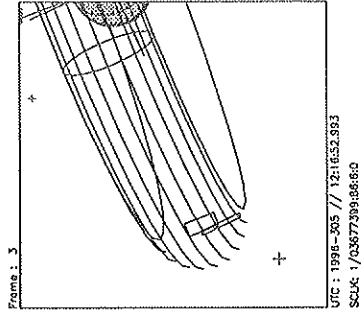
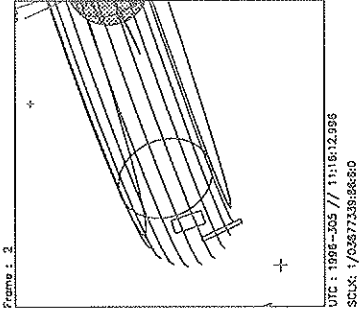
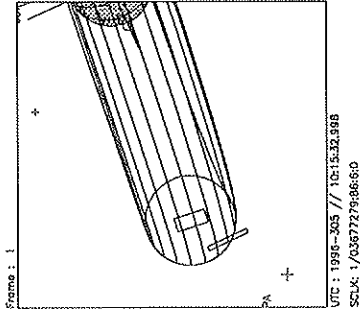
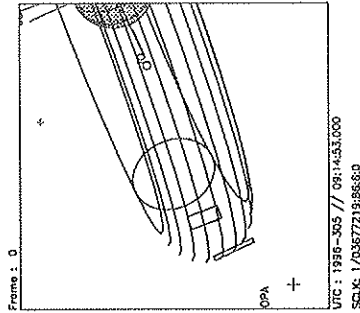
Activity ID: Orbit G2		OAPEL TUC3MPRO		SeqNo 05-	
Title	UVS/EUV MIDNIGHT ANSA PROFILE 5, C3 INBD			Instrument	UVS
Requestor	UVS-MWG/S.STEPHENS	Team	UVS	Working Group	MWG
Time System	CDS	Load ID	G2C	Calendar Date	10/31/96 Week 44
Start	JEE+CDS 00076141:00:0		96-305/00:44:26.599		JEE+053/11:07:00.666
End	JEE+CDS 00076641:00:0		96-305/09:09:59.933		JEE+053/19:32:34.000
Duration	00000500:00:0		000/08:25:33.334		000/08:25:33.334
Top Label	G2TUC3MPRO05-				
Bottom Label	(UVS/EUV RTS Torus)				
Plot Key	UVS	Type	SCI		
CDS Bytes	430	Report Options	BOTH	Scan Platform	Yes
CDS Source	PA	Spin State	DUAL	DMS	No
Observation Objective					
<p>UVS/EUV IO TORUS MIDNIGHT ANSA RADIAL PROFILE 5, C3 INBOUND: From: 6.55 Rj (outside ribbon) at cone > 90 (ribbon at 5.76 Rj, Sys III W Long 172) To: 5.02 Rj (inside ribbon) at fixed cone Data rate: Instrument states usually last 120 RIMS (EUV 2.43 bps), 60 RIMS (UVS 4.87 bps) OPTRTM/UVFLUSH STRATEGY (17,712 bits per UVS or EUV PACKET): UVS/EUV deselected; thus, 120-RIM UVFLUSHes needed to PACKET EUV, after initial UVFLUSH, 60-RIM UVFLUSHes needed to PACKET UVS after initial DISCRD WAVELENGTHS (Angstroms): Emission lines: UVS (S+ 1259, O+ 3728, S+ 4070), EUV (S++ 685, S+ 765, O+ 834) 2POSN-16STEP N/N MINISCAN (UVS): N 3705.6-3748.0 (CTR 3728.2, STEP 313) [EVEN FRAMES], N 4049.2-4090.5 (CTR 4071.2, STEP 436) [ODD FRAMES]</p>					
Design Detail					
PSID	RIM:mf	CDS PA			
384BZ	0	0	COMMENT [UVS RIM 0]		
61BK	2	37	LOOPER [LOOP PERIOD 120, NUM LOOPS 4]		
349OH	3:69	28	UVFLUSH [6UVRT, PACKET, EUV]		
157LD	4	38	CMDRS (10+14*2) [PLAN DUR 61, EST UVS CMDS 2]		
349OI	4:69	28	UVFLUSH [6UVRT, DISCRD, UVS]		
165BK	5	36	TARGET [CONE 98.75, CLOCK 87.95], UTILITY [7CONE/7STAT, SCAN TYPE 6] 34UVS,D1,F,N,N,N,S,0,OFF,ON,OFF,ON,OFF,NO,1,5D,46,00,7B [16STEP N/N]		
176BN	6	15	SCITLM [RESUME PB]		
349OJ	63:69	112	UVFLUSH (28*4) [6UVRT, PACKET, UVS] 34UVS,D3,F,N,N,N,S,0,OFF,ON,ON,ON,OFF,NO,1,D5,4E,05,63 [22STEP N/G]		
349OK	123:69	112	UVFLUSH (28*4) [6UVRT, PACKET, BOTH] ... [REPEAT 3 ADDITIONAL TIMES, BUT DELAY LAST UVFLUSH TO RIM 498:69]		
157LE	499	24	CMDRS (10+14*1) [PLAN DUR 1, EST UVS CMDS 1] 34UVS,C1,F,N,N,N,S,0,OFF,OFF,ON,OFF,OFF,NO,1,2C,05,00,00 [HVOPF]		



Start UTC_TIME : 1996-305 // 00:49:20.000
No End Time :
Start SCLK : 1/03676719:87:0:6

Target Body : JUPITER
Target Cone/Clock : 92.37 / 88.52 Deg
S/C to Body Center : 4191137. Km (58.623853 Ri)
Z-axis Pointing (Ro / Dec) : 102.80 / 25.00 Deg

Activity ID: Orbit G2		OAPEL TUC3MPRO		SeqNo 06-	
Title	UVS/EUV MIDNIGHT ANSA PROFILE 6, C3 INBD			Instrument	UVS
Requestor	UVS-MWG/S.STEPHENS		Team	UVS	Working Group MWG
Time System	CDS	Load ID	G2C	Calendar Date	10/31/96 Week 44
Start	JEE+CDS 00076641:00:0		96-305/09:09:59.933		JEE+053/19:32:34.000
End	JEE+CDS 00077126:00:0		96-305/17:20:23.266		JEE+054/03:42:57.333
Duration	00000485:00:0		000/08:10:23.333		000/08:10:23.333
Top Label	G2TUC3MPRO06-				
Bottom Label	(UVS/EUV RTS Torus)				
Plot Key	UVS	Type	SCI		
CDS Bytes	387	Report Options	BOTH	Scan Platform	Yes
CDS Source	PA	Spin State	DUAL	DMS	No
Observation Objective					
<p>UVS/EUV IO TORUS MIDNIGHT ANSA RADIAL PROFILE 6, C3 INBOUND: From: 6.53 Rj (outside ribbon) at cone > 90 (ribbon at 5.76 Rj, Sys III W Long 111) To: 4.98 Rj (inside ribbon) at fixed cone Data rate: Instrument states last 120 RIMS (EUV 2.43 bps), 60 RIMS (UVS 4.87 bps) OPTRTM/UVFLUSH STRATEGY (17,712 bits per UVS or EUV PACKET): UVS/EUV deselected; thus, 120-RIM UVFLUSHes needed to PACKET EUV, after initial DISCRD, 60-RIM UVFLUSHes needed to PACKET UVS, after initial DISCRD WAVELENGTHS (Angstroms): Emission lines: UVS (S+ 1259, O+ 3728, S+ 4070), EUV (S++ 685, S+ 765, O+ 834) 2POSN-16STEP N/N MINISCAN (UVS): N 3705.6-3748.0 (CTR 3728.2, STEP 313) [EVEN FRAMES], N 4049.2-4090.5 (CTR 4071.2, STEP 436) [ODD FRAMES]</p>					
Design Detail					
PSID	RIM:mf	CDS	PA		
384KA	-2	0		COMMENT [UVS RIM 0]	
61BL	2	37		LOOPER [LOOP PERIOD 120, NUM LOOPS 4]	
157LF	4	38		CMDRS (10+14*2) [PLAN DUR 61, EST UVS CMDS 2]	
349OR	4:69	28		UVFLUSH [6UVRT, DISCRD, BOTH]	
165BL	5	36		TARGET [CONE 100.34, CLOCK 88.55]	
				34UVS,D1,F,N,N,N,S,0,OFF,ON,OFF,ON,OFF,NO,1,5D,46,00,7B [16STEP N/N]	
349OS	63:69	112		UVFLUSH (28*4) [6UVRT, PACKET, UVS]	
				34UVS,D3,F,N,N,N,S,0,OFF,ON,ON,ON,OFF,NO,1,D5,4E,05,63 [22STEP N/G]	
349OT	123:69	112		UVFLUSH (28*4) [6UVRT, PACKET, BOTH]	
...OZ				... [REPEAT 3 ADDITIONAL TIMES]	
157LG	484	24		CMDRS (10+14*1) [PLAN DUR 1, EST UVS CMDS 1]	
	485			34UVS,C1,F,N,N,N,S,0,OFF,OFF,ON,OFF,OFF,NO,1,2C,05,00,00 [HVOFF]	



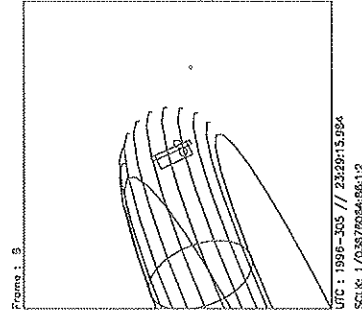
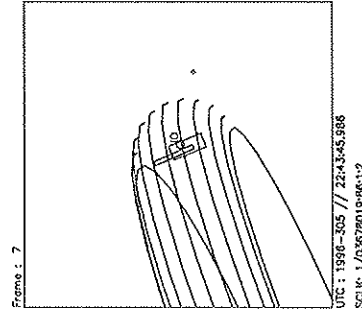
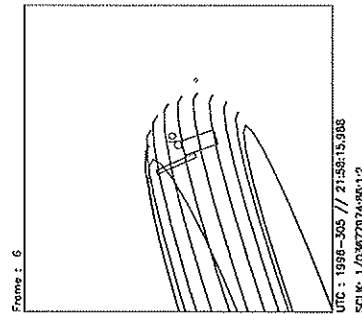
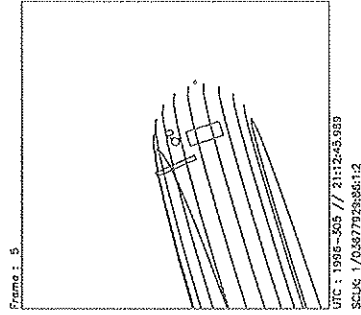
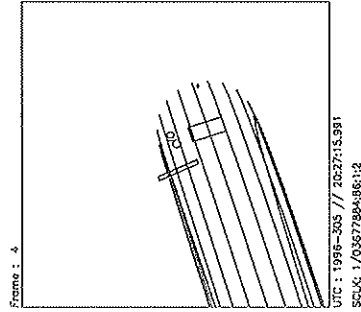
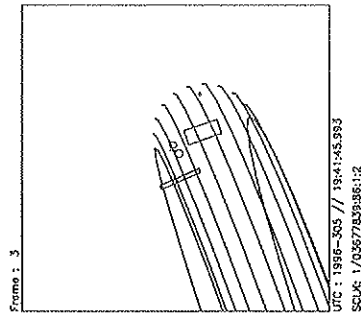
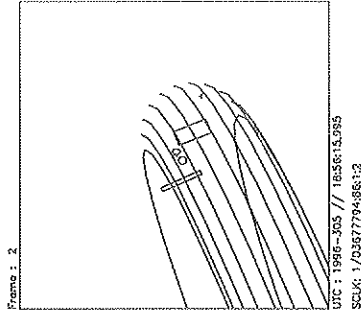
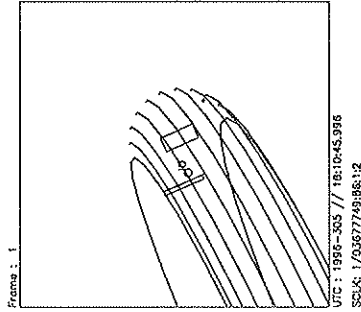
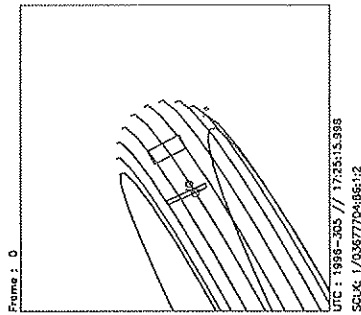
Start UTC_TIME : 1996-305 // 09:14:53.000
 No End Time :
 Start SCLK : 1/03677219:86:6:0

Target Body : JUPITER
 Target Cone/Clock : 93.72 / 88.52 Deg
 S/C to Body Center : 4047202. Km (56.610560 Ri)
 Z-axis Pointing (Ra / Dec) : 102.80 / 25.00 Deg

Activity ID: Orbit G2		OAPEL TUC3NANS		SeqNo 01-	
Title		UVS/EUV NOON ANSA MAP 1, LO RATE C3 INBD		Instrument UVS	
Requestor		UVS-MWG/S.STEPHENS		Team UVS	
				Working Group MWG	
Time System CDS		Load ID G2C		Calendar Date 10/31/96	
				Week 44	
Start		JEE+CDS 00077126:00:0		96-305/17:20:23.266	
				JEE+054/03:42:57.333	
End		JEE+CDS 00077431:00:0		96-305/22:28:46.599	
				JEE+054/08:51:20.666	
Duration		00000305:00:0		000/05:08:23.333	
				000/05:08:23.333	
Top Label		G2TUC3NANS01-			
Bottom Label		(UVS/EUV RTS Torus)			
Plot Key		UVS		Type SCI	
CDS Bytes		284		Report Options BOTH	
				Scan Platform Yes	
CDS Source		PA		Spin State DUAL	
				DMS No	
Observation Objective					
<p>UVS/EUV IO TORUS NOON ANSA MAP 1, LOW RATE, C3 INBOUND: From: 4.88 Rj (inside ribbon) at cone 90 (ribbon at 5.76 Rj, Sys III W Long 303) To: 5.62 Rj at cone 90 Data rate: Instrument states last 60 RIMS; thus, 4.87 bps UVS, 4.87 bps EUV OPTRTM/UVFLUSH STRATEGY (17,712 bits per UVS or EUV PACKET): UVS/EUV deselected; thus, 60-RIM UVFLUSHes needed to PACKET BOTH, after initial DISCRD WAVELENGTHS (Angstroms): Emission lines: UVS (S+ 1259, O+ 3728, S+ 4070), EUV (S++ 685, S+ 765, O+ 834) 2POSN-16STEP N/N MINISCAN (UVS): N 3705.6-3748.0 (CTR 3728.2, STEP 313) [EVEN FRAMES], N 4049.2-4090.5 (CTR 4071.2, STEP 436) [ODD FRAMES] 2POSN-22STEP N/G MINISCAN (UVS): N 4040.9-4098.7 (CTR 4071.2, STEP</p>					
Design Detail					
PSID	RIM:mf	CDS	PA		
384KB	-2	0		COMMENT [UVS RIM 0]	
157LH	4	80		CMDRS (10+14*5) [PLAN DUR 241, EST UVS CMDS 5]	
349PA	4:69	28		UVFLUSH [6UVRT, DISCRD, BOTH]	
165BM	5	36		TARGET [CONE 90.00, CLOCK 88.70]	
				34UVS,D1,F,N,N,N,S,0,OFF,ON,OFF,ON,OFF,NO,1,D5,4E,05,63 [22STEP N/G]	
349PB	63:69	28		UVFLUSH [6UVRT, PACKET, BOTH]	
				34UVS,D3,F,N,N,N,S,0,OFF,ON,ON,ON,OFF,NO,1,5D,46,00,7B [16STEP N/N]	
349PC	123:69	28		UVFLUSH [6UVRT, PACKET, BOTH]	
				34UVS,D1,F,N,N,N,S,0,OFF,ON,OFF,ON,OFF,NO,1,D5,4E,05,63 [22STEP N/G]	
349PD	183:69	28		UVFLUSH [6UVRT, PACKET, BOTH]	
				34UVS,D3,F,N,N,N,S,0,OFF,ON,ON,ON,OFF,NO,1,5D,46,00,7B [16STEP N/N]	
349PE	243:69	28		UVFLUSH [6UVRT, PACKET, BOTH]	
				34UVS,D1,F,N,N,N,S,0,OFF,ON,OFF,ON,OFF,NO,1,D5,4E,05,63 [22STEP N/G]	
349PF	303:69	28		UVFLUSH [6UVRT, PACKET, BOTH]	

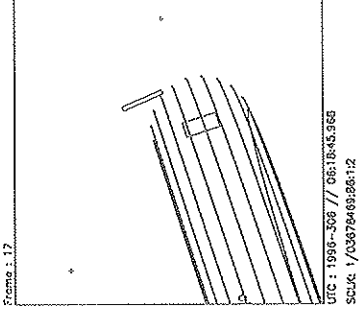
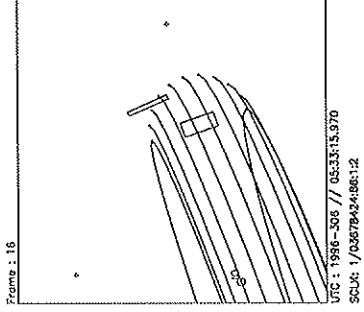
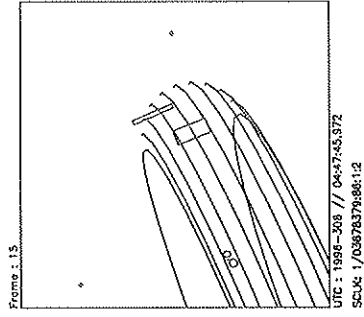
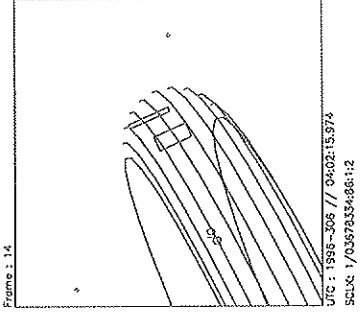
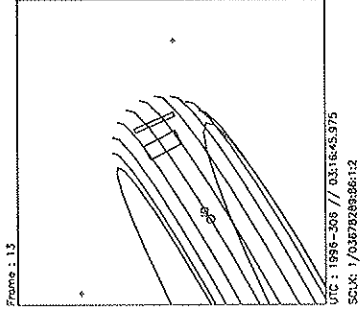
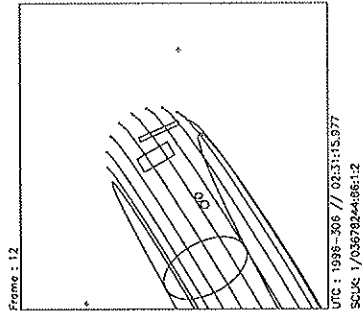
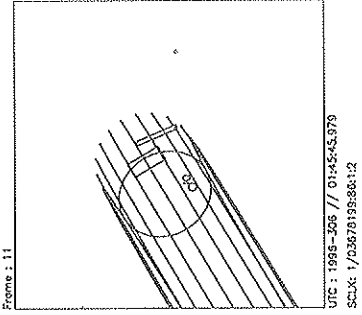
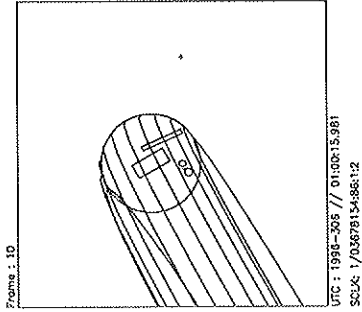
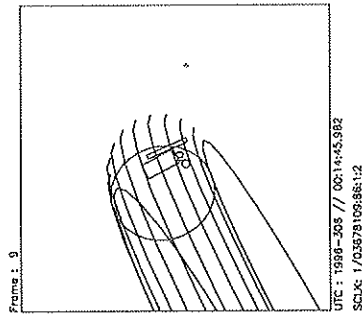
Activity ID: Orbit G2		OAPEL TUC3NANS		SeqNo 02-	
Title		UVS/EUV NOON ANSA MAP 2, HI RATE C3 INBD		Instrument UVS	
Requestor		UVS-MWG/S.STEPHENS		Team UVS	
				Working Group MWG	
Time System CDS		Load ID G2C		Calendar Date 10/31/96	
				Week 44	
Start		JEE+CDS 00077431:00:0		96-305/22:28:46.599	
				JEE+054/08:51:20.666	
End		JEE+CDS 00077551:00:0		96-306/00:30:06.599	
				JEE+054/10:52:40.666	
Duration		00000120:00:0		000/02:01:20.000	
				000/02:01:20.000	
Top Label		G2TUC3NANS02-			
Bottom Label		(UVS/EUV RTS Torus)			
Plot Key		UVS		Type SCI	
CDS Bytes		178		Report Options BOTH	
				Scan Platform Yes	
CDS Source		PA		Spin State DUAL	
				DMS No	
Observation Objective					
<div style="border: 1px solid black; width: 150px; height: 100px; display: inline-block; vertical-align: top;"></div> <p>UVS/EUV IO TORUS NOON ANSA MAP 2, HIGH RATE (RIBBON), C3 INBOUND: From: 5.62 Rj at cone 90 (ribbon at 5.76 Rj, Sys III W Long 303) To: 5.92 Rj at cone 90 Data rate: Instrument states last 30 RIMS; thus, 9.73 bps UVS, 9.73 bps EUV OPTRIM/UVFLUSH STRATEGY (17,712 bits per UVS or EUV PACKET): UVS/EUV deselected; thus, 30-RIM UVFLUSHes needed to PACKET BOTH WAVELENGTHS (Angstroms): Emission lines: UVS (S+ 1259, O+ 3728, S+ 4070), EUV (S++ 685, S+ 765, O+ 834) 2POSN-16STEP N/N MINISCAN (UVS): N 3705.6-3748.0 (CTR 3728.2, STEP 313) [EVEN FRAMES], N 4049.2-4090.5 (CTR 4071.2, STEP 436) [ODD FRAMES] 2POSN-22STEP N/G MINISCAN (UVS): N 4040.9-4098.7 (CTR 4071.2, STEP 436) [EVEN FRAMES], G 1239.8-1272.1 (CTR 1256.7, STEP</p>					
Design Detail					
PSID	RIM:mf	CDS	PA		
384KC	-1	0		COMMENT [UVS RIM 0]	
157LI	-1	66		CMDRS (10+14*4) [PLAN DUR 91, EST UVS CMDS 4]	
349PG	28:69	28		34UVS,D1,F,N,N,N,S,0,OFF,ON,OFF,ON,OFF,NO,1,5D,46,00,7B [16STEP N/N]	
	30			UVFLUSH [6UVRT, PACKET, BOTH]	
349PH	58:69	28		34UVS,D3,F,N,N,N,S,0,OFF,ON,ON,ON,OFF,NO,1,D5,4E,05,63 [22STEP N/G]	
	60			UVFLUSH [6UVRT, PACKET, BOTH]	
349PI	88:69	28		34UVS,D1,F,N,N,N,S,0,OFF,ON,OFF,ON,OFF,NO,1,5D,46,00,7B [16STEP N/N]	
	90			UVFLUSH [6UVRT, PACKET, BOTH]	
349PJ	118:69	28		34UVS,D3,F,N,N,N,S,0,OFF,ON,ON,ON,OFF,NO,1,D5,4E,05,63 [22STEP N/G]	
				UVFLUSH [6UVRT, PACKET, BOTH]	

Activity ID: Orbit G2	OAPEL TUC3NANS	SeqNo 31-
Title	UVS/EUV NOON ANSA MAP 3-1, LO RT C3 INBD	Instrument UVS
Requestor	UVS-MWG/S.STEPHENS	Team UVS
		Working Group MWG
Time System CDS	Load ID G2C	Calendar Date 11/01/96
		Week 44
Start	JEE+CDS 00077551:00:0	96-306/00:30:06.599
		JEE+054/10:52:40.666
End	JEE+CDS 00078311:00:0	96-306/13:18:33.266
		JEE+054/23:41:07.333
Duration	00000760:00:0	000/12:48:26.667
		000/12:48:26.667
Top Label	G2TUC3NANS31-	
Bottom Label	(UVS/EUV RTS Torus)	
Plot Key	UVS	Type SCI
CDS Bytes	435	Report Options BOTH
		Scan Platform Yes
CDS Source	PA	Spin State DUAL
		DMS No
Observation Objective		
	UVS/EUV IO TORUS NOON ANSA MAP 3 (PART 1), LOW RATE, C3 INBOUND:	
	From: 5.92 Rj at cone 90 (ribbon at 5.76 Rj, Sys III W Long 303)	
	To: 7.77 Rj at cone 90	
	Data rate: Instrument states usually last 60 RIMS; thus, 4.87 bps UVS, 4.87 bps EUV	
	OPTRTM/UVFLUSH STRATEGY (17,712 bits per UVS or EUV PACKET):	
	UVS/EUV deselected; thus, 60-RIM UVFLUSHes needed to PACKET BOTH	
	WAVELENGTHS (Angstroms):	
	Emission lines: UVS (S+ 1259, O+ 3728, S+ 4070), EUV (S++ 685, S+ 765, O+ 834)	
	2 POSN-16 STEP N/N MINISCAN (UVS): N 3705.6-3748.0 (CTR 3728.2, STEP 313) [EVEN FRAMES],	
	436) [ODD FRAMES] N 4049.2-4090.5 (CTR 4071.2, STEP	
2 POSN-22 STEP N/G MINISCAN (UVS): N 4040.9-4098.7 (CTR 4071.2, STEP 436) [EVEN FRAMES],		
G 1239.8-1272.1 (CTR 1256.7, STEP		
Design Detail		
PSID	RIM:mf	CDS PA
61BM	-2	37 LOOPER [LOOP PERIOD 120, NUM LOOPS 6]
384KD	-1	0 COMMENT [UVS RIM 0]
157LJ	-1	38 CMDRS (10+14*2) [PLAN DUR 61, EST UVS CMDS 2]
	0	34UVS,D1,F,N,N,N,S,0,OFF,ON,OFF,ON,OFF,NO,1,5D,46,00,7B [16STEP N/N]
349PK	58:69	168 UVFLUSH (28*6) [6UVRT, PACKET, BOTH]
	60	34UVS,D3,F,N,N,N,S,0,OFF,ON,ON,ON,OFF,NO,1,D5,4E,05,63 [22STEP N/G]
349PL	118:69	168 UVFLUSH (28*6) [6UVRT, PACKET, BOTH]
...PV		... [REPEAT 5 ADDITIONAL TIMES, BUT DELAY LAST UVFLUSH TO RIM 758:69]
157LK	759	24 CMDRS (10+14*1) [PLAN DUR 1, EST UVS CMDS 1]
	760	34UVS,C1,F,N,N,N,S,0,OFF,OFF,ON,OFF,OFF,NO,1,2C,05,00,00 [HVOFF]



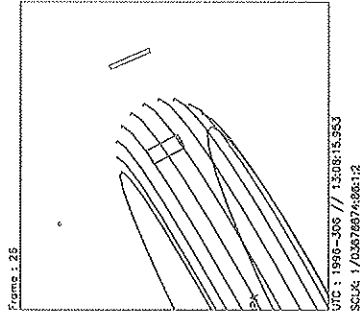
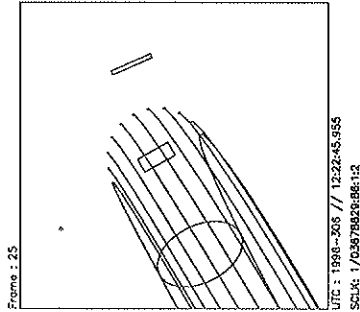
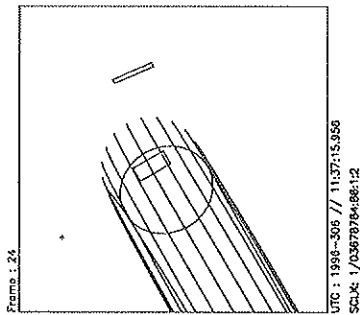
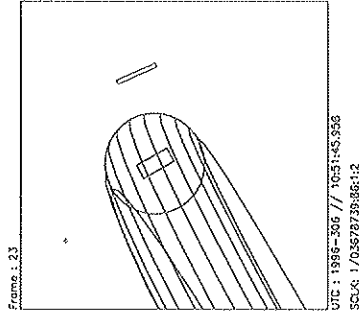
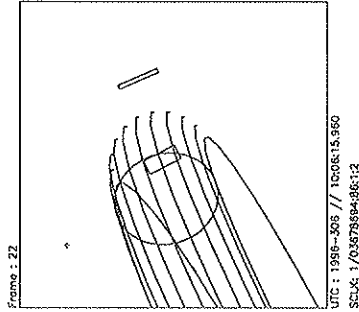
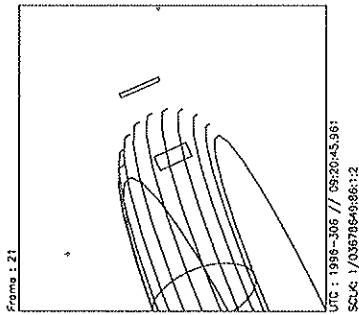
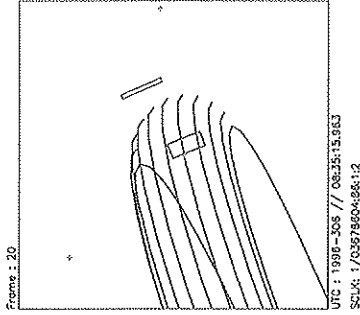
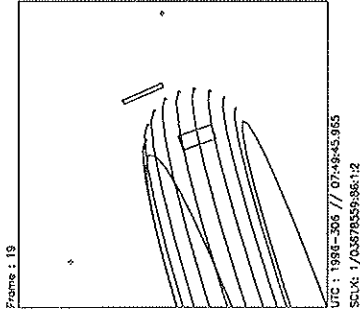
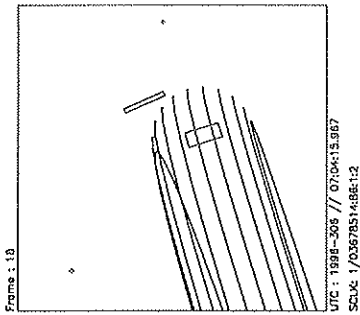
Start UTC_TIME : 1996-305 // 17:25:16.000
No End Time :
Start SCLK : 1/0367704:86:1:2

Target Body : JUPITER
Target Cone/Clock : 95.13 / 88.52 Deg
S/C to Body Center : 3903072. Km (54.594529 Rj)
Z-axis Pointing (Ra / Dec) : 102.80 / 25.00 Deg



Start UTC_TIME : 1996-305 // 17:25:16.000
 No. End Time :
 Start SCLK : 1/03677704:86:1:2

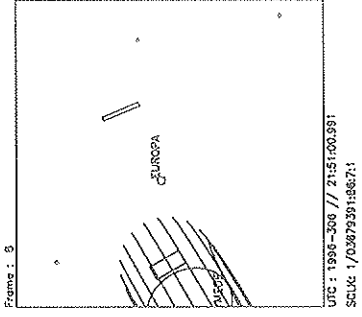
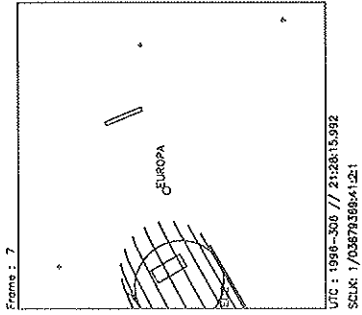
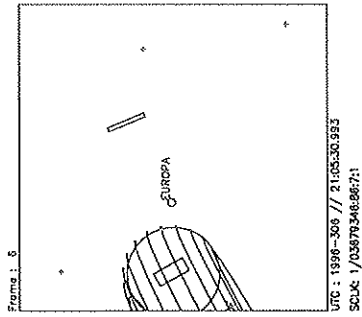
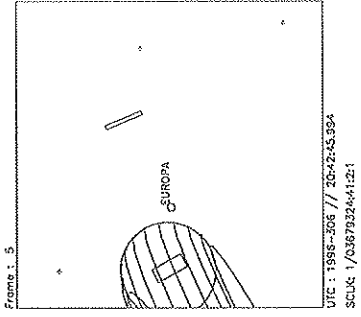
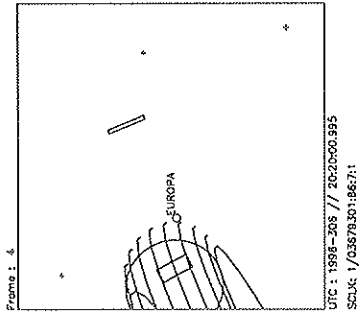
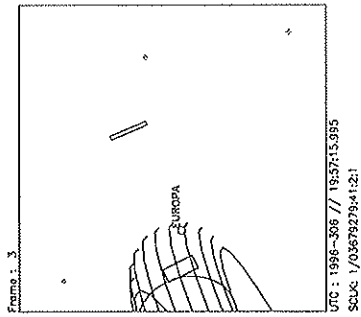
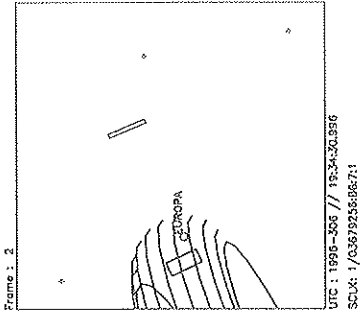
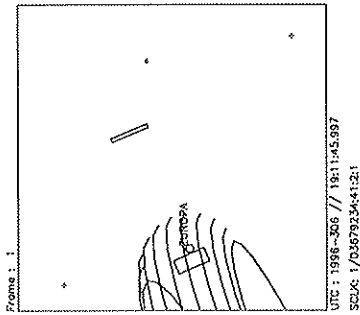
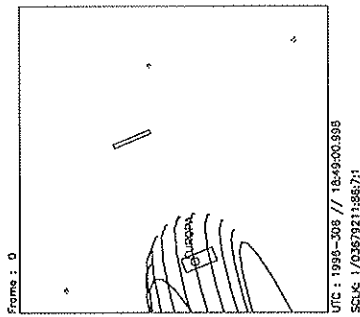
Target Body : JUPITER
 Target Cone/Clock : 96.39/ 88.51 Deg
 S/C to Body Center : 3779134. Km (52.860933 Ri)
 Z-axis Pointing (Ra / Dec) : 102.80 / 25.00 Deg



Start UTC_TIME : 1996-305 // 17:25:16.000
 No End Time :
 Start SCLK : 1/03677704:86:1:2

Target Body : JUPITER
 Target Cone/Clock : 97.74 / 88.51 Deg
 S/C to Body Center : 3651787. Km (51.079657 RJ)
 Z-axis Pointing (Ra / Dec) : 102.80 / 25.00 Deg

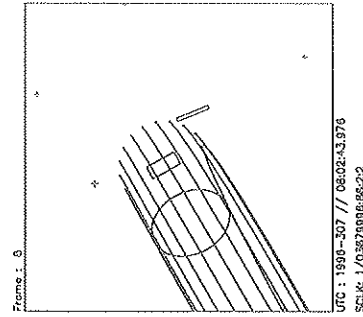
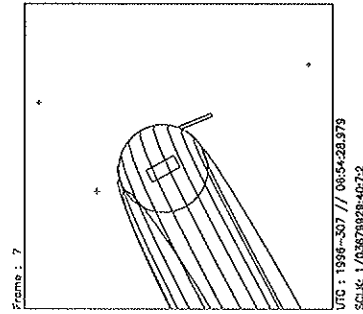
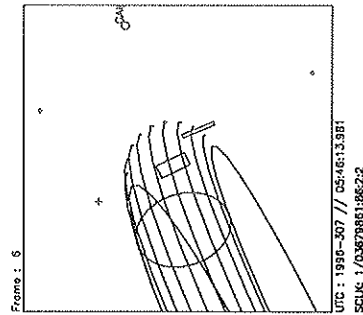
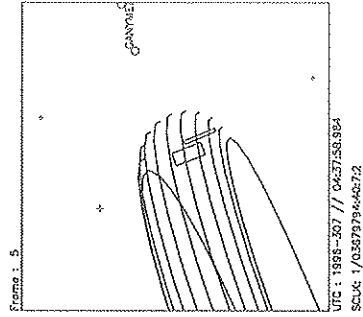
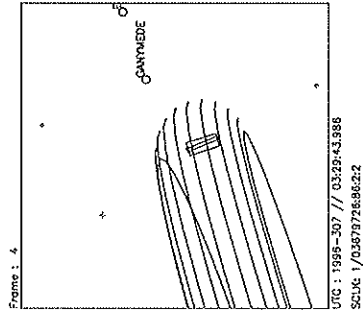
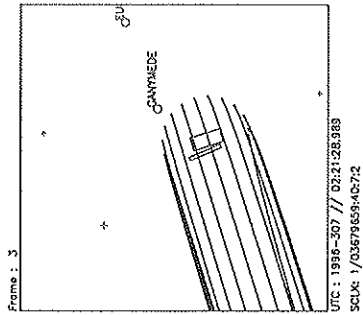
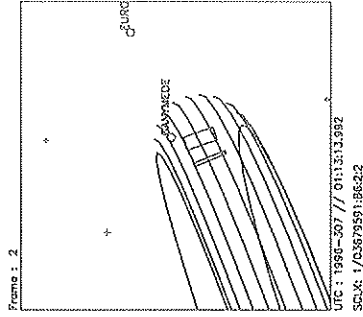
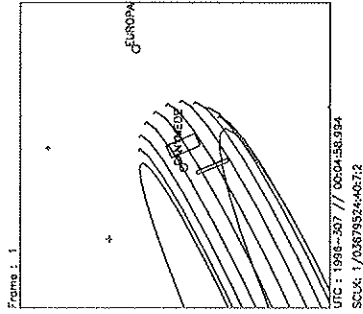
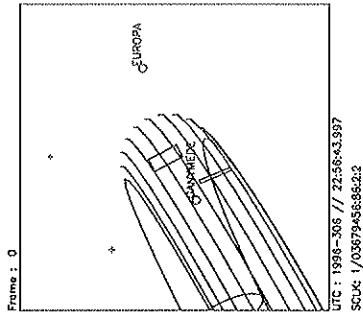
Activity ID: Orbit G2		OAPEL TUC3NANS		SeqNo 32-	
Title			UVS/EUV NOON ANSA MAP 3-2, LO RT C3 INBD		Instrument UVS
Requestor		UVS-MWG/S.STEPHENS		Team UVS	Working Group MWG
Time System	CDS	Load ID	G2C	Calendar Date	11/01/96 Week 44
Start	JEE+CDS 00078633:00:0		96-306/18:44:07.933		JEE+055/05:06:42.000
End	JEE+CDS 00078818:00:0		96-306/21:51:11.266		JEE+055/08:13:45.333
Duration	00000185:00:0		000/03:07:03.333		000/03:07:03.333
Top Label		G2TUC3NANS32-			
Bottom Label		(UVS/EUV RTS Torus)			
Plot Key	UVS	Type	SCI		
CDS Bytes	242	Report Options	BOTH	Scan Platform	Yes
CDS Source	PA	Spin State	DUAL	DMS	No
Observation Objective					
<div style="border: 1px solid black; width: 150px; height: 100px; display: inline-block; vertical-align: top;"></div> <p>UVS/EUV IO TORUS NOON ANSA MAP 3 (PART 2), LOW RATE, C3 INBOUND: From: 8.56 Rj at cone 90 (ribbon at 5.76 Rj, Sys III W Long 303) To: 9.13 Rj (Europa) at cone 90 Data rate: Instrument states last 60 RIMS; thus, 4.87 bps UVS, 4.87 bps EUV OPTRTM/UVFLUSH STRATEGY (17,712 bits per UVS or EUV PACKET): UVS/EUV deselected; thus, 60-RIM UVFLUSHes needed to PACKET BOTH, after initial UVFLUSHes WAVELENGTHS (Angstroms): Emission lines: UVS (S+ 1259, O+ 3728, S+ 4070), EUV (S++ 685, S+ 765, O+ 834) 2POSN-16STEP N/N MINISCAN (UVS): N 3705.6-3748.0 (CTR 3728.2, STEP 313) [EVEN FRAMES], N 4049.2-4090.5 (CTR 4071.2, STEP 436) [ODD FRAMES] 2POSN-22STEP N/G MINISCAN (UVS): N 4040.9-4098.7 (CTR 4071.2, STEP 436) [EVEN FRAMES],</p>					
Design Detail					
PSID	RIM:mf	CDS	PA		
384KE	0	0		COMMENT [UVS RIM 0]	
349PW	3:69	28		UVFLUSH [6UVRT, PACKET, EUV]	
157LM	4	66		CMDRS (10+14*4) [PLAN DUR 181, EST UVS CMDS 4]	
349PX	4:69	28		UVFLUSH [6UVRT, DISCRD, UVS]	
165BN	5	36		TARGET [CONE 90.00, CLOCK 88.70]	
				34UVS,D1,F,N,N,N,S,0,OFF,ON,OFF,ON,OFF,NO,1,5D,46,00,7B [16STEP N/N]	
349PY	63:69	28		UVFLUSH [6UVRT, PACKET, BOTH]	
				34UVS,D3,F,N,N,N,S,0,OFF,ON,ON,ON,OFF,NO,1,D5,4E,05,63 [22STEP N/G]	
349PZ	123:69	28		UVFLUSH [6UVRT, PACKET, BOTH]	
				34UVS,D1,F,N,N,N,S,0,OFF,ON,OFF,ON,OFF,NO,1,5D,46,00,7B [16STEP N/N]	
349QA	183:69	28		UVFLUSH [6UVRT, PACKET, BOTH]	
				34UVS,C1,F,N,N,N,S,0,OFF,OFF,ON,OFF,OFF,NO,1,2C,05,00,00 [HVOFF]	



Start UTC_TIME : 1996-306 // 18:49:01.000
No End Time :
Start SCLK : 1/03679211:86:7:1

Target Body : JUPITER
Target Cone/Clock : 100.30 / 88.51 Deg
S/C to Body Center : 3424166. Km (47 895794 Rj)
Z-axis Pointing (Ra / Dec) : 102.80 / 25.00 Deg

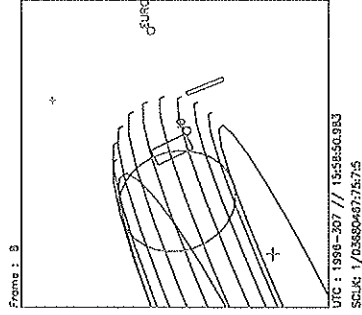
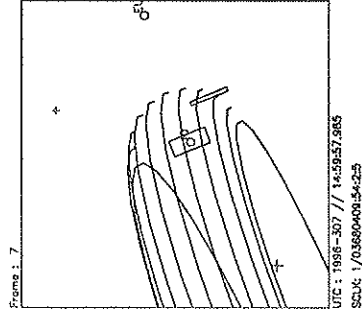
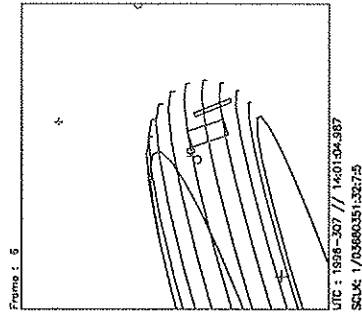
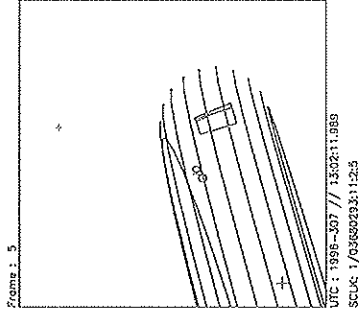
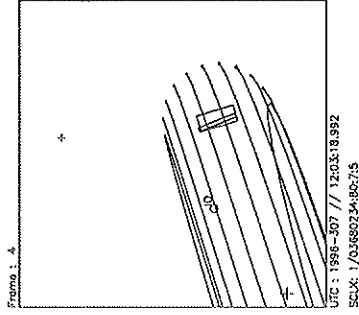
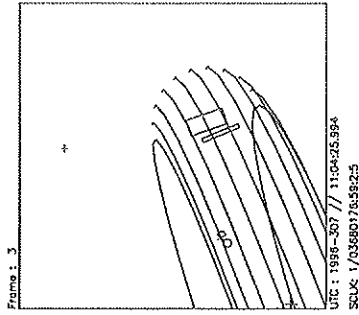
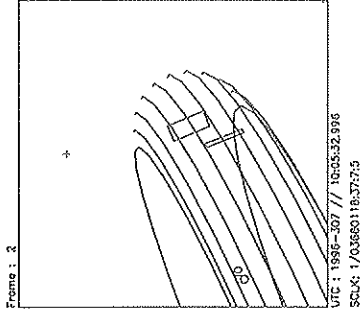
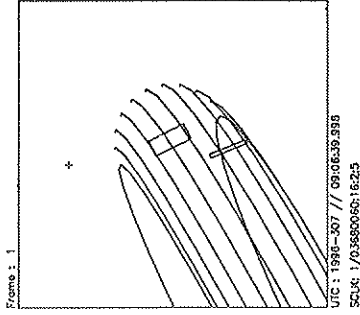
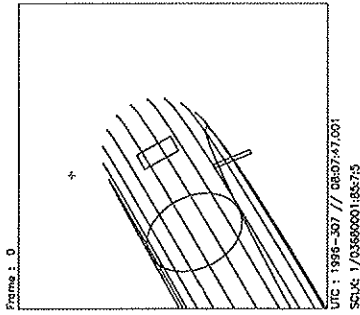
Activity ID:	Orbit G2	OAPEL	TUC3NPRO	SeqNo	01-
Title	UVS NOON ANSA PROFILE 1, C3 INBOUND			Instrument	UVS
Requestor	UVS-MWG/S.STEPHENS	Team	UVS	Working Group	MWG
Time System	CDS	Load ID	G2C	Calendar Date	11/01/96
				Week	44
Start	JEE+CDS 00078878:00:0		96-306/22:51:51.266		JEE+055/09:14:25.333
End	JEE+CDS 00079423:00:0		96-307/08:02:54.599		JEE+055/18:25:28.666
Duration	00000545:00:0		000/09:11:03.333		000/09:11:03.333
Top Label	G2TUC3NPRO01-				
Bottom Label	(UVS RTS Torus)				
Plot Key	UVS	Type	SCI		
CDS Bytes	429	Report Options	BOTH	Scan Platform	Yes
CDS Source	PA	Spin State	DUAL	DMS	No
Observation Objective					
<p>UVS IO TORUS NOON ANSA RADIAL PROFILE 1, C3 INBOUND (NO EUV): From: 5.04 Rj (inside ribbon) at cone > 90 (ribbon at 5.76 Rj, Sys III W Long 235) To: 6.54 Rj (outside ribbon) at fixed cone Data rate: Instrument states last 60 RIMS; thus, 4.87 bps UVS OPTRIM/UVFLUSH STRATEGY (17,712 bits per UVS PACKET): UVS deselected; thus, 60-RIM UVFLUSHes needed to PACKET UVS, after initial DISCRD WAVELENGTHS (Angstroms): Emission lines: UVS (S+ 1259, O+ 3728, S+ 4070), EUV (S++ 685, S+ 765, O+ 834) 2 POSN-16STEP N/N MINISCAN (UVS): N 3705.6-3748.0 (CTR 3728.2, STEP 313) [EVEN FRAMES], N 4049.2-4090.5 (CTR 4071.2, STEP 436) [ODD FRAMES] 2 POSN-22STEP N/G MINISCAN (UVS): N 4040.9-4098.7 (CTR 4071.2, STEP 436) [EVEN FRAMES],</p>					
Design Detail					
PSID	RIM:mf	CDS	PA		
384KG	-2	0		COMMENT [UVS RIM 0]	
61BN	2	37		LOOPER [LOOP PERIOD 120, NUM LOOPS 4]	
157LN	4	38		CMDRS (10+14*2) [PLAN DUR 61, EST UVS CMDS 2]	
349QC	4:69	28		UVFLUSH [6UVRT, DISCRD, UVS]	
165BO	5	36		TARGET [CONE 95.13, CLOCK 87.80]	
				34UVS,D1,F,N,N,N,S,0,OFF,ON,OFF,ON,OFF,NO,1,5D,46,00,7B [16STEP N/N]	
349QD	63:69	112		UVFLUSH (28*4) [6UVRT, PACKET, UVS]	
				34UVS,D3,F,N,N,N,S,0,OFF,ON,ON,ON,OFF,NO,1,D5,4E,05,63 [22STEP N/G]	
349QE	123:69	112		UVFLUSH (28*4) [6UVRT, PACKET, UVS]	
...QK				... [REPEAT 3 ADDITIONAL TIMES]	
157LO	484	38		CMDRS (10+14*2) [PLAN DUR 61, EST UVS CMDS 2]	
				34UVS,D1,F,N,N,N,S,0,OFF,ON,OFF,ON,OFF,NO,1,5D,46,00,7B [16STEP N/N]	
349QL	543:69	28		UVFLUSH [6UVRT, PACKET, UVS]	
				34UVS,C1,F,N,N,N,S,0,OFF,OFF,ON,OFF,OFF,NO,1,2C,05,00,00 [HVOFF]	



Start UTC_TIME : 1996-306 // 22:56:44.000
 No End Time :
 Start SCLK : 1/03679456:86:2:2

Target Body : JUPITER
 Target Cone/Clock : 101.28 / 86.51 Deg
 S/C to Body Center : 3341465. Km (46.739004 Rj)
 Z-axis Pointing (Ra / Dec) : 102.80 / 25.00 Deg

Activity ID:	Orbit G2	OAPEL TUC3NPRO	SeqNo	02-		
Title	UVS NOON ANSA PROFILE 2, C3 INBOUND		Instrument	UVS		
Requestor	UVS-MWG/S.STEPHENS	Team	UVS	Working Group	MWG	
Time System	CDS	Load ID	Calendar Date	11/02/96	Week	44
Start	JEE+CDS 00079423:00:0		96-307/08:02:54.599		JEE+055/18:25:28.666	
End	JEE+CDS 00079894:00:0		96-307/15:59:08.599		JEE+056/02:21:42.666	
Duration	00000471:00:0		000/07:56:14.000		000/07:56:14.000	
Top Label	G2TUC3NPRO02-					
Bottom Label	(UVS RTS Torus)					
Plot Key	UVS	Type	SCI			
CDS Bytes	373	Report Options	BOTH	Scan Platform	Yes	
CDS Source	PA	Spin State	DUAL	DMS	No	
Observation Objective						
	UVS IO TORUS NOON ANSA RADIAL PROFILE 2, C3 INBOUND (NO EUV):					
	From: 5.12 Rj (inside ribbon) at cone > 90 (ribbon at 5.76 Rj, Sys III W Long 184)					
	To: 6.48 Rj (outside ribbon) at fixed cone					
	Data rate: Instrument states last 60 RIMS; thus, 4.87 bps UVS					
	OPTRM/UVFLUSH STRATEGY (17,712 bits per UVS PACKET):					
	UVS deselected; thus, 60-RIM UVFLUSHes needed to PACKET UVS, after initial DISCRD					
	WAVELENGTHS (Angstroms):					
	Emission lines: UVS (S+ 1259, O+ 3728, S+ 4070), EUV (S++ 685, S+ 765, O+ 834)					
	2POSN-16STEP N/N MINISCAN (UVS): N 3705.6-3748.0 (CTR 3728.2, STEP 313) [EVEN FRAMES],					
	N 4049.2-4090.5 (CTR 4071.2, STEP 436) [ODD FRAMES]					
2POSN-22STEP N/G MINISCAN (UVS): N 4040.9-4098.7 (CTR 4071.2, STEP 436) [EVEN FRAMES],						
Design Detail						
PSID	RIM:mf	CDS	PA			
384KH	0	0		COMMENT [UVS RIM 0]		
61BO	2	37		LOOPER [LOOP PERIOD 120, NUM LOOPS 3]		
157LP	4	38		CMDRS (10+14*2) [PLAN DUR 61, EST UVS CMDS 2]		
349QM	4:69	28		UVFLUSH [6UVRT, DISCRD, UVS]		
165BP	5	36		TARGET [CONE 97.04, CLOCK 87.60]		
		5		34UVS,D1,F,N,N,N,S,0,OFF,ON,OFF,ON,OFF,NO,1,5D,46,00,7B [16STEP N/N]		
349QN	63:69	84		UVFLUSH (28*3) [6UVRT, PACKET, UVS]		
		65		34UVS,D3,F,N,N,N,S,0,OFF,ON,ON,ON,OFF,NO,1,D5,4E,05,63 [22STEP N/G]		
349QO	123:69	84		UVFLUSH (28*3) [6UVRT, PACKET, UVS]		
...QS				... [REPEAT 2 ADDITIONAL TIMES]		
157LQ	364	38		CMDRS (10+14*2) [PLAN DUR 107, EST UVS CMDS 2]		
		365		34UVS,D1,F,N,N,N,S,0,OFF,ON,OFF,ON,OFF,NO,1,5D,46,00,7B [16STEP N/N]		
349QT	469:69	28		UVFLUSH [6UVRT, PACKET, UVS]		
		471		34UVS,C1,F,N,N,N,S,0,OFF,OFF,ON,OFF,OFF,NO,1,2C,05,00,00 [HVOFF]		



Start UTC_TIME : 1996-307 // 08:07:47.000
 No End Time :
 Start SCLK : 1/03680001:85:7:5

Target Body : JUPITER
 Target Cone/Clock : 103.66 / 88.50 Deg
 S/C to Body Center : 315211. Km (44.090400 Rj)
 Z-axis Pointing (Ro / Dec) : 102.80 / 25.00 Deg